

EVM User's Guide: MCF8315RRYEVM

MCF8315 Evaluation Module



Description

The MCF8315RRYEVM allows users to evaluate the performance of a MCF8315 motor driver. The EVM includes an onboard FTDI chip to convert USB communication, from the micro-USB connector, into UART. An onboard MSP430FR2355 microcontroller (MCU) translates the UART communication into control signals, which is sent to the MCF8315 device. There are many user-selectable jumpers, resistors, connectors, and test points to assist with evaluating the many features of the MCF8315 IC and the configurable device-specific settings.

Get Started

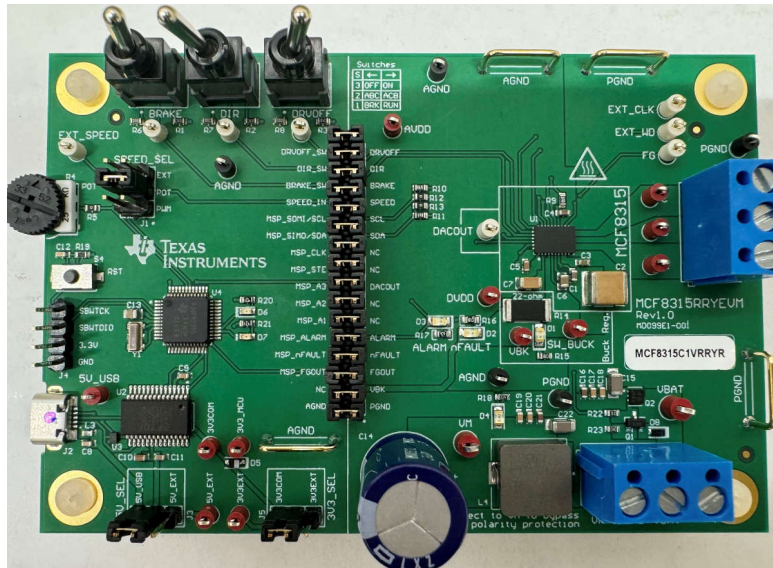
1. Download the latest design files from the [MCF8315RRYEVM](#) tool page.
2. Download the latest version of the Motor Studio GUI and firmware from the [Motor Studio](#) tool page.

Features

- GUI software to simplify the MCx tuning process and performance evaluation
- MCU-to-MCx shunt jumper header with removable shunts to disconnect main signals going to the motor driver IC from the MCU
 - The shunts can be removed if the user desires to control the MCF8315 IC with an external MCU or to use the EVM MCU to control an external MCF8315 IC

Applications

- [Brushless-DC \(BLDC\) motor modules](#)
- [Residential and living fans](#)
- [Air purifiers and humidifier fans](#)
- [Washer and dishwashers pumps](#)
- [Automotive fan and blowers](#)
- [CPAP machines](#)



MCF8315RRYEVM (Top View)

1 Evaluation Module Overview

1.1 Introduction

This document is provided with the MCF8315 customer evaluation module (EVM) as a supplement to the [MCF8315C Three-Phase Sensorless-FOC BLDC Motor Driver](#) data sheet. This user's guide details the hardware setup instructions, GUI installation, and usage instructions.

Observe the following cautions and warnings as printed on the EVM board.

HOT SURFACE



Hot surface temperature. The EVM can have high surface temperatures marked by the FIRE triangular symbol on the EVM. Avoid touching the marked hot surface are when driving high currents to prevent potential burn damage.

1.2 Kit Contents

Table 1-1 lists the contents of the EVM kit. Contact the Texas Instruments Product Information Center nearest to you if any components are missing. TI highly recommends that users check the TI website at <https://www.ti.com> to verify that the latest version of the related software is being used.

Table 1-1. Kit Contents

Item	Quantity
MCF8315RRYEVM	1
USB A to USB B micro cable	1

1.3 Specification

The MCF8315RRYEVM can support voltages up to 35V and currents up to 4A. To prevent damage to both the IC and the EVM, confirm that these voltage and current specifications are not exceeded.

To check which MCF8315 chip is populated on the EVM by default by looking at the sticker label, see [Figure 1-1](#) for the sticker label location, with the default part number of MCF8315 referenced.

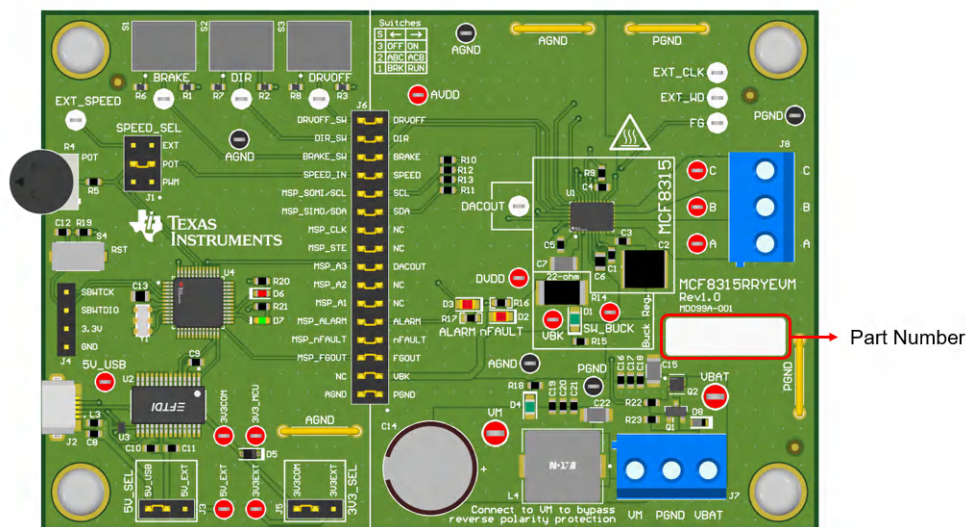


Figure 1-1. MCF8315RRYEVM Part Number

1.4 Device Information

The MCF8315 is a 4.5V to 35V, 4A peak integrated three-phase gate driver IC with code-free sensorless field-oriented control (FOC) for motor drive applications. The MCF8315 provides three accurately trimmed and temperature compensated half-bridge MOSFETS, gate drivers, charge pump, current sense amplifier, linear regulator for the external load and adjustable buck regulator. The I2C interface allows for configuration of the various device settings and reading fault diagnostic information through an external controller.

The internal sensorless FOC algorithm is highly configurable through register settings in a non-volatile EEPROM ranging from motor start-up behavior to closed loop operation, which allows for the device to operate stand-alone once the device has been configured. The device can receive a speed command through a PWM input, analog voltage, variable frequency square wave, or I2C command. There are a large number of protection features integrated into the MCF8315, intended to protect the device, motor, and system against fault events.

Table 1-2. MCx8315

Part Number	Commutation Type
MCF8315C1VRRYR	FOC

2 Hardware

2.1 Quick Start Guide

The MCF8315RRYEVM requires a power supply source, which has a recommended operating range from a 4.5V to 35V. To setup and power the EVM, follow the sequence below:

1. Connect motor phases to A, B, C on connector J8.
2. Do not turn on the power supply yet. Connect motor supply to VBAT/VM and PGND on connector J7.
 - a. To enable reverse polarity protection and Pi filter, connect to VBAT. Note that when connecting to VBAT, VM is $VM - 0.7V$ less, due to a diode drop in the reverse-polarity protection circuit.
 - b. To disable reverse-polarity protection and the Pi filter, connect to VM.
3. Set J3 to 5V_USB and J5 to 3V3COM to power MSP430™ from USB power supply.
4. Connect the micro-USB cable to the computer.
5. Turn the potentiometer fully clockwise to set the motor to zero speed upon powerup.
6. Flip the switch S1 to the right to configure BRAKE = RUN, switch S2 to the left to configure DIR = ABC, and switch S3 to the right to configure DRVOFF = ON
7. Set J1 to POT to apply the analog voltage from potentiometer R4 to the SPEED pin.
8. Turn on the motor power supply.
9. Use the potentiometer R4 to control the speed of the motor and the switches to disable the motor driver, change the direction, or apply a brake to the motor. Optionally, use the GUI (as shown in [Section 3](#)) to monitor real-time speed of the motor, put the MCF8315 into a low-power sleep mode, and read status of the LEDs.

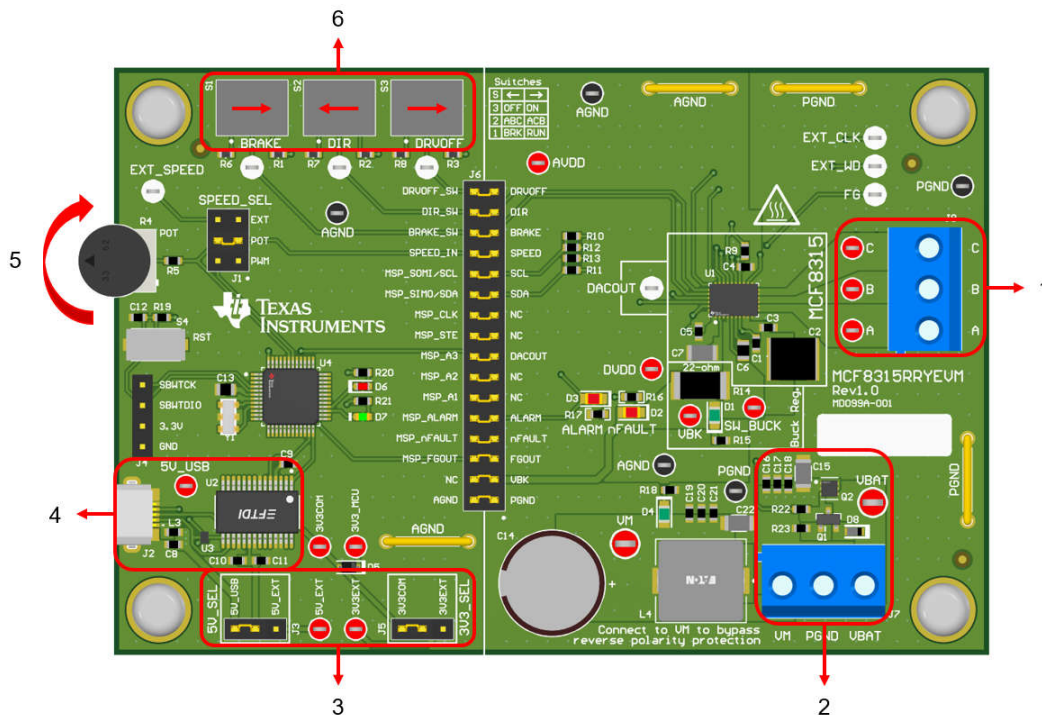


Figure 2-1. Reference for Quick Start Guide

2.2 Hardware Setup

The hardware required to run the motor is the MCF8315RRYEVM, a micro-USB cable, and a power supply with a DC output from 4.5V to 35V. Follow these steps to start up the MCF8315RRYEVM:

1. Connect the DC power supply to header J7. Connect to VBAT and PGND to apply reverse polarity protection and the pi filter to the EVM. Otherwise, connect to VM and PGND to bypass the reverse polarity protection and pi filter.
2. Apply user configurable jumper settings. See [Section 2.7](#) for more information.
3. Flash the firmware into the MCU as described in [Section 3.4](#). Launch Motor Studio and disconnect the 4-pin JTAG connections.
4. Turn on the power supply to power up the MCF8315RRYEVM.
5. Connect a micro-USB cable to the MCF8315RRYEVM and computer.

If using the MCF8315RRYEVM with an external microcontroller, remove all shunt jumpers from jumper bridge J6. Connect with external jumpers to the right side of the jumper bridge from the external MCU.

2.3 Hardware Connections Overview – MCF8315RRYEVM

[Figure 2-2](#) shows the major blocks of MCF8315RRYEVM. The MCF8315RRYEVM is designed for an input supply from 4.5V to 35V. The MCF8315 includes three integrated half-bridges and implements a sensorless FOC algorithm to spin a motor with up to 4A peak current. The MCF8315 also integrates an adjustable buck regulator. For interfacing with the GUI, the MCF8315RRYEVM has an onboard FTDI chip and MSP430.

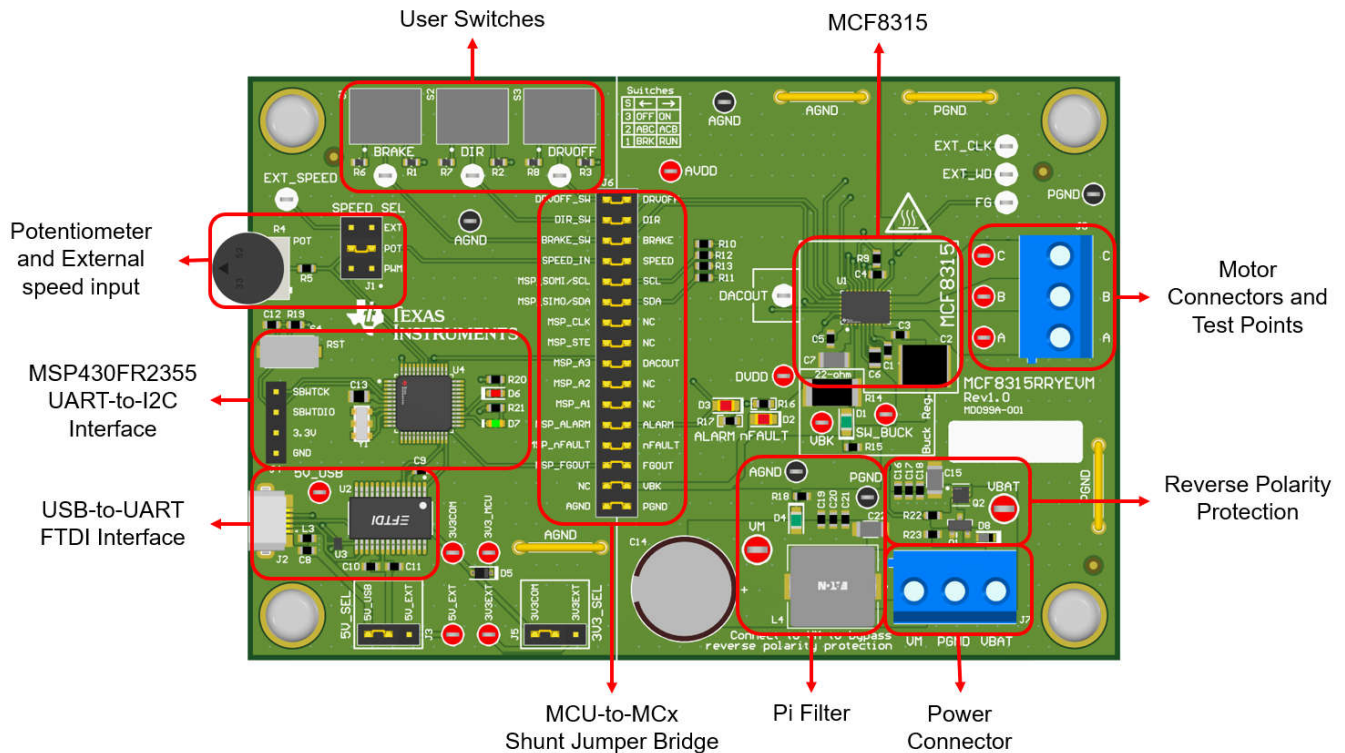


Figure 2-2. MCF8315RRYEVM Major Hardware Blocks

2.4 Connection Details

Figure 2-3 outline which connections must be made to the MCF8315RRYEVM to spin a 3-phase sensorless brushless-DC motor.

Connect a 4.5V to 35V power supply or battery to VBAT or VM and PGND terminals on connector J7. There is a reverse polarity protection and Pi filter implemented on the VBAT and PGND terminals. To bypass the reverse polarity protection and Pi filter, connect the power supply to the VM terminal or VM test point on the board and PGND.

Connect the three phases of the BLDC motor to the A, B, and C terminals of the screw terminal connector J8.

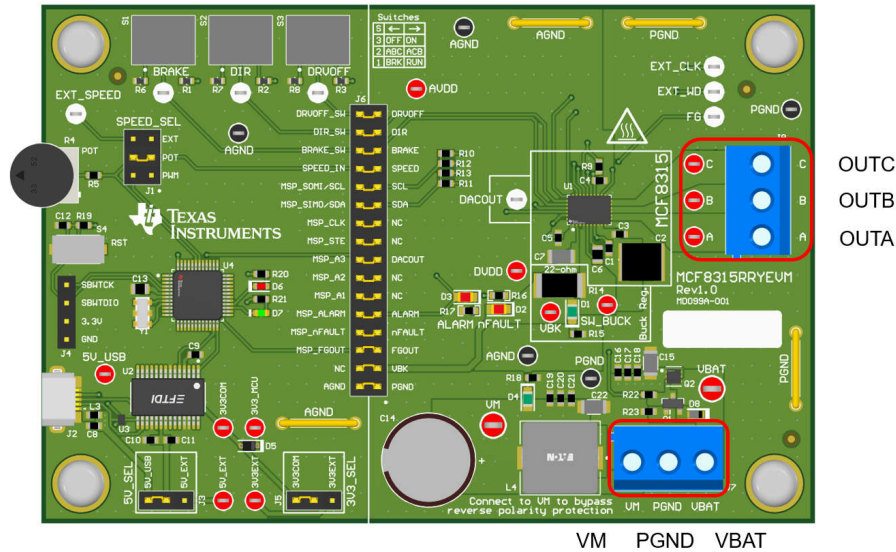


Figure 2-3. Connections from Motor to MCF8315RRYEVM

Figure 2-4 shows where the micro-USB cable is plugged into the MCF8315RRYEVM to provide communication between evaluation module and GUI. The USB data and 5V power from the USB is converted, by the FTDI chip, into UART data and 3.3V power which is used to power the MSP430FR2355 microcontroller. The 5V from the USB power is limited to 500mA and the 3.3V from the FTDI chip is limit to 30mA. If the user wishes to supply more current to these rails, then users can use the 5V_SEL jumper J3 and 3V3_SEL jumper J5 to connect external power rails.

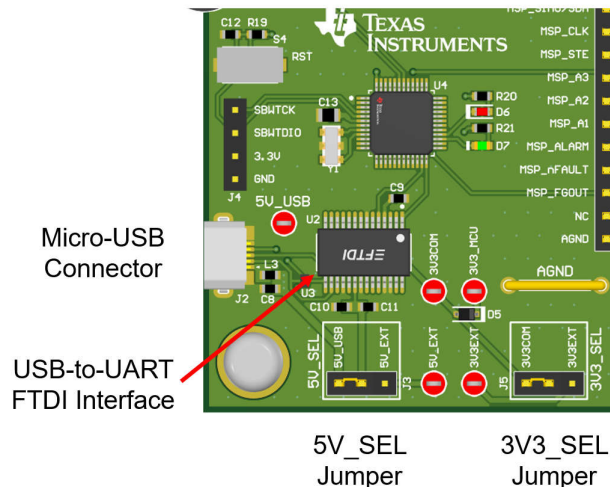


Figure 2-4. Micro-USB Connector and USB-to-UART interface

2.5 MSP430FR2355 Microcontroller

The MCF8315RRYEVM includes the MSP430FR2355 low-power MCU (as shown in [Figure 2-5](#)) to communicate via I2C with the MCF8315 IC.

To program the MSP430FR2355, an external MSP430 FET programmer must be connected to the Spy-Bi-Wire (SBW) interface connector J4. Many MSP430 LaunchPads™ provide an onboard eZ-FET Debug Probe that can be jumper-wired to the MCF8315RRYEVM to flash the firmware into the onboard MSP430FR2355 microcontroller.

The user can use the Reset (RST) S4 button at any time to restart the MCU program. Two active-low LEDs, D6 and D7, can be used for debug purposes as well.

The 32-pin shunt jumper bridge J6 ties all signals between the microcontroller and MCF8315 IC. These jumpers can be inserted or removed as needed to isolate the microcontroller from the gate driver. This allows for microcontroller signal debugging or using the MCF8315RRYEVM as a standalone gate driver with an external microcontroller.

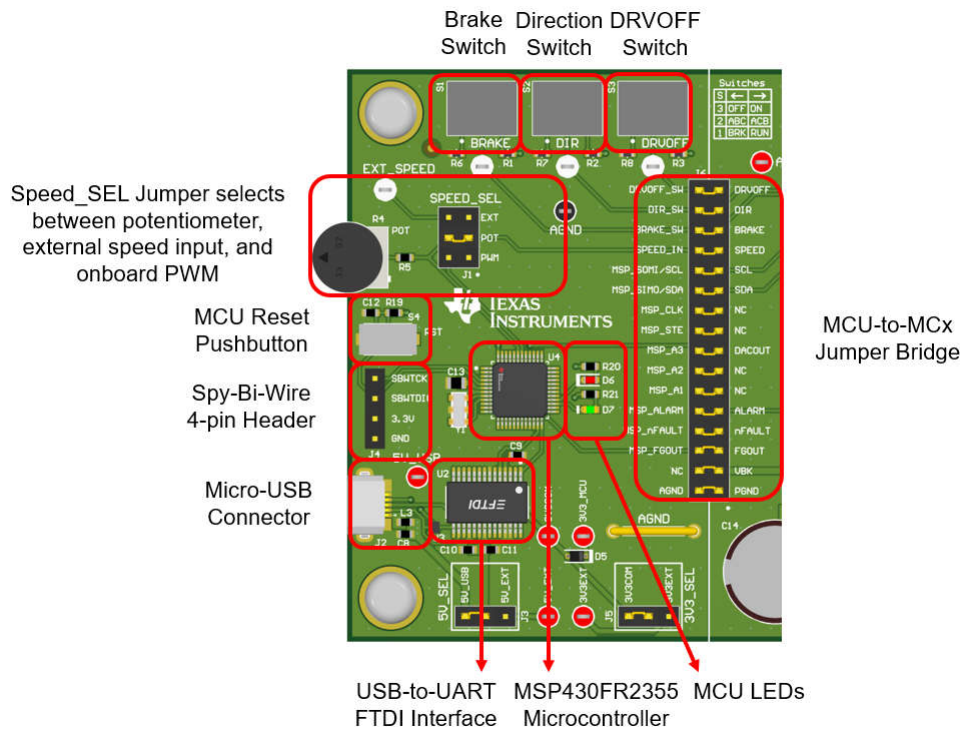


Figure 2-5. MSP430FR2355 MCU on MCF8315RRYEVM

2.6 LED Lights

The MCF8315RRYEVM has 6 status LEDs implemented that provide the status of power supplies and functionalities of the evaluation module. By default, the VM LED and 3.3V Buck LEDs light up when the board is powered and the program has been flashed onto the microcontroller. [Table 2-1](#) shows LED descriptions including those that are on during power up in bold and [Figure 2-6](#) shows the locations of the LEDs.

Table 2-1. Description of MCF8315RRYEVM LEDs (default in bold after powerup)

Designator	Name	Color	Description
D1	Buck Regulator	Green	Internal buck regulator is voltage output
D2	nFAULT	Red	Lights up when fault condition has occurred on MCF8315
D3	ALARM	Red	Lights up when alarm condition has occurred on MCF8315
D4	VM	Green	Motor power is supplied to the board
D6	MSP_LED1	Red	Used for UART or debugging
D7	MSP_LED2	Green	Used for UART or debugging

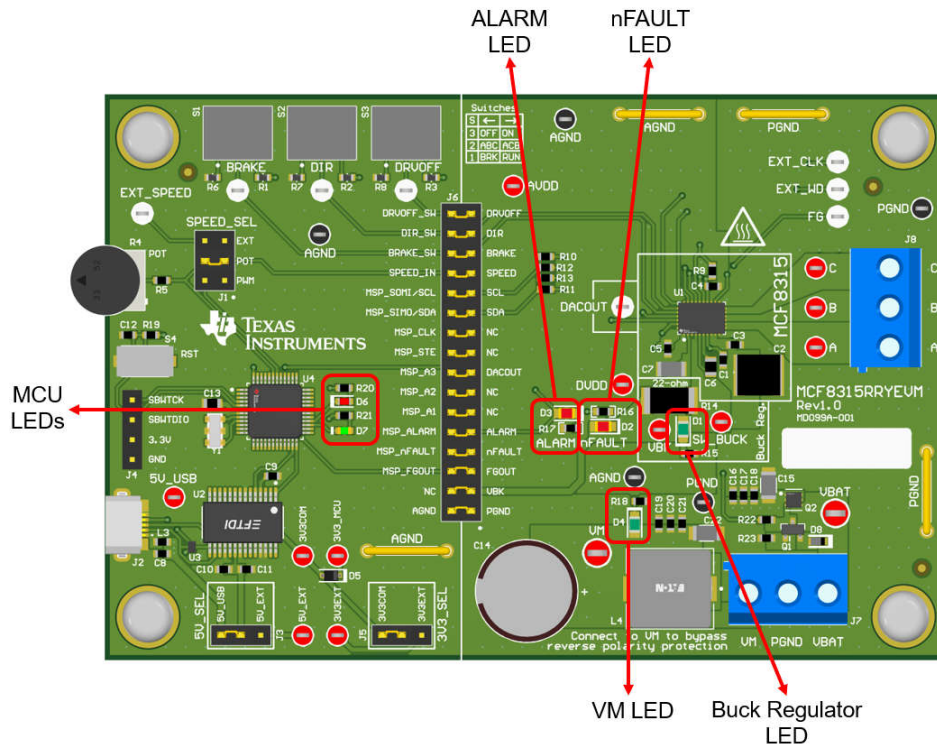


Figure 2-6. MCF8315RRYEVM LED Locations

2.7 User-Configurable Settings

The MCF8315RRYEVM includes a variety of user-selectable jumpers, switches, and resistors on the entirety of the evaluation board to configure settings. [Table 2-2](#) summarizes all of these configurable settings.

Table 2-2. Description of User-Selectable Settings on MCF8315RRYEVM (Default in Bold)

Designator	Setting Name	Description	Layer	Position	Function
L1/L2/R14	Buck Regulator mode	User populates L1, L2, or R14 to choose switching component for buck regulator	Top	L1 = 47uH Inductor	Inductor Mode
			Bottom	L2 = 22µH	Inductor Mode
			Bottom	R14 = 22Ω	Resistor Mode
J5	3V3_SEL	Select 3.3V for MCU power	Top	J5 = 3V3EXT J5 = 3V3COM	External From FTDI (30mA)
J3	5V_SEL	Select 5V for FTDI power	Top	J3 = 5V_EXT J3 = 5V_USB	External From USB power (500mA)
J1	SPEED_SEL	Selects SPEED input source	Top	J1 = EXT	External EXT_SPEED test point
				J1 = POT	From Potentiometer R4
				J1 = PWM	On-board PWM from MSP430
J6	MSP to MCx Shunt jumper bridge	Connects signals from MCU and user switches to MCx8315 when jumpers are inserted	Top	DRVOFF_SW	DRVOFF
				DIR_SW	DIR
				BRAKE_SW	BRAKE
				SPEED_IN	SPEED
				MSP_SOMI/SCL	SCL
				MSP_SIMO/SDA	SDA
				MSP_CLK	NC
				MSP_STE	NC
				MSP_A3	DACOUT
				MSP_A2	NC
				MSP_A1	NC
				MSP_ALARM	ALARM
				MSP_nFAULT	nFAULT
				MSP_FGOUT	FGOUT
NC	VBK				
AGND	PGND				
S1	BRAKE	Turns on all low-side MOSFETs	Top	Left	Brake enabled
				Right	Brake disabled
S2	DIR	Controls direction of motor	Top	Left	ABC
				Right	ACB
S3	DRVOFF	Disables gate drivers	Top	Left	MCF8315 FETs disabled
				Right	MCF8315 FETs enabled

3 Software

3.1 Firmware and GUI Application

The MCF8315RRYEVM includes a USB-to-UART interface, using a MSP430FR2355 microcontroller, that serves as a communication bridge between a host PC and the MCF8315 device for configuring various device settings and reading fault diagnostic information.

The MCF8315RRYEVM is supported on the Motor Studio GUI which can be used to configure the MCF8315 through this communication interface. The Motor Studio GUI simplifies the tuning process of the MCF8315 by offering guided tuning instructions, a virtual oscilloscope for real-time variable monitoring, and more. The latest version of the [Motor Studio GUI](#) can be downloaded on ti.com.

By default, the onboard MSP430 microcontroller already contains the firmware needed to communicate with the Motor Studio GUI. If there is a firmware update or the GUI does not connect to the EVM, then the user must flash the firmware code into the MSP430 by following the steps outlined in [Section 3.4](#).

Flashing the firmware code onto the MSP430 requires an integrated development environment (IDE) and an eZ-FET Debug Probe. The following example uses the [Code Composer Studio™ \(CCS\)](#) IDE and the [MSPEXP430FR2355 LaunchPad™ Development Kit](#) to provide the eZ-FET Debug Probe.

3.2 Downloading and Running Motor Studio

1. Connect the MCF8315RRYEVM as described in [Section 2.2](#).
2. Download the latest version of the [Motor Studio GUI](#).
3. Once the Motor Studio GUI is installed, run the Motor Studio GUI application.
4. Click the red *Setup Now* button under *Hardware Setup* on the bottom right side of the window.
5. After setting up the hardware settings of the MCF8315RRYEVM, click on the *Quick Spin* option to begin configuring the device.

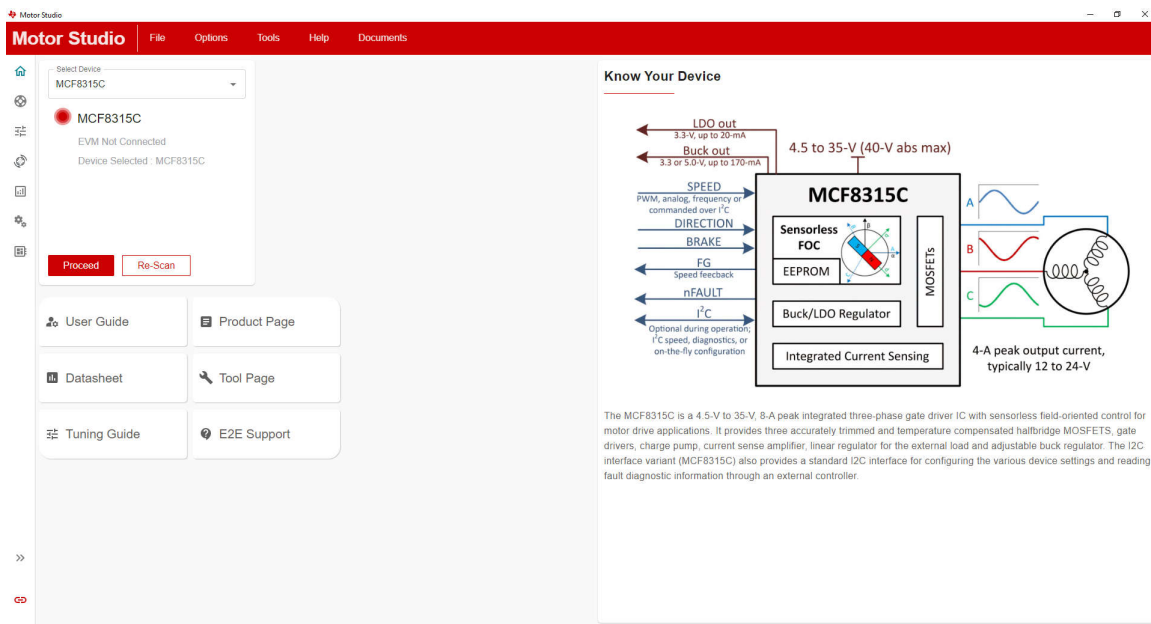


Figure 3-1. Motor Studio GUI MCF8315C Home Page

3.3 Downloading Code Composer Studio and Importing GUI Firmware Code

1. Download and extract the [Motor Studio firmware](#) to a location on the computer.
2. Download the latest version of [Code Composer Studio](#). This sets up a ti folder in the directory C:\ti.
 - a. Accept all agreements, default install locations, and click *Next* to proceed through the menus.
 - b. In the *Select Components* window, make sure to check *MSP430 Low-Power MCUs* to install the required packages for the MSP430 LaunchPad Evaluation Kits.
3. After installing, run CCS and select a folder or the default to use as the workspace to store any new projects. The location and naming convention can be changed based on the user's preference. Click the *OK* button to accept.
4. In CCS, click on the *Project* tab and select *Import CCS Projects*. Click on *Browse*.
5. Select the folder created in Step 1 by extracting the Motor Studio firmware.
6. Import the project into your workspace as shown in [Figure 3-2](#).

```

127 //Preset Initializations
128 PwmSel = 1;
129 GUIComm_sendInt8("num_pols", 7, 4);
130 GUIComm_sendBool("nsleep", 6, 0);
131
132 __bis_sr_register(LPM0_bits | GIE); // Enter LPM0 w/interrupt
133 __enable_interrupt();
134
135 while (1)
136 {
137     count++;
138     ADCCCTL0 |= ADCENC | ADCSC; // Sampling and conversion start
139
140     //ADC-PWM flag
141     if (adc_flag == true){
142         adc_flag = false;
143         if (PwmSel == 1)
144         {
145             TB1CCR1=(int)(ADC_Result/10);
146         }
147         else
148         {
149             TB1CCR1=(int)(PwmDuty*4.0);
150         }
151         old_Pwm_DC = Pwm_DC;
152         //Pwm_DC = (float)(((float)(TB1CCR1*100.0)/(float)(TB1CCR0));
153         Pwm_DC = (float)(((float)(ADC_Result)*1.0175/40.96);
154         if (Pwm_DC > 100.0)
155         {
156             Pwm_DC = 100.0;
157         }
158         if (Pwm_DC != old_Pwm_DC)
159         {
160             GUIComm_sendInt6("pwm_dc", 6, (_q5)(Pwm_DC*32.0));
161         }
162     }
163 }
164
165 //FGOUT and Motor Speed
166 if (fgout_flag == true){
167     fgout_flag = false;
168     FGOUT_freq = (float)(32500.0*(float)(FGOUT_DIV)/(float)(diff));
169     commSpeed = (float)((121.0*FGOUT_freq)/((float)NumPoles));
170     GUIComm_sendInt16("fgout", 5, (_s7)(FGOUT_freq*129.5));
171     GUIComm_sendInt16("rpm", 3, (uint16_t)(commSpeed));
172 }
173
174 //NSLEEP ON
175 if (nsleep_on_flag == true && nsleep_off_flag == false)
176 {
177     GUIComm_sendBool("nsleep", 6, 1);
178     P3OUT |= BIT2;
179 }
  
```

Figure 3-2. MSP430FR2355 Interface Firmware Code in Code Composer Studio

3.4 Using eZ-FET to Program the Onboard MSP430FR2355

The eZ-FET Debug Probe on the MSP430FR2355 LaunchPad uses a SPI-by-Wire JTAG interface to program the MSP430FR2355 MCU on the MCF8315RRYEVM. Consult the [MSP430 LaunchPad Development Kits](#) for MSP430 LaunchPads that include an onboard eZ-FET Debug Probe.

1. Remove the GND, 3V3, SBWTDIO, and SBWTCK jumpers from the MSP430 LaunchPad.
2. Connect the top pins on the eZ-FET side of the LaunchPad of the GND, 3V3, SBWTDIO, and SBWTDIO signals to the respective pins on J4 of the MCF8315RRYEVM as shown in [Table 3-1](#) and [Figure 3-3](#).
3. Connect a micro-USB cable to the MSP430 LaunchPad and the PC.
4. Click on the *Build Project* icon or *CTRL + B* to make sure the project builds successfully. Accept any updates if needed from the Console.
5. Click on *Debug Project* to set up a debug session and press the *Play* button to run the code.
6. Stop the debug session, close Code Composer Studio, disconnect the SPI-by-Wire jumpers, and unplug the micro-USB cable from the MSP430 LaunchPad.

Table 3-1. SPY-BI-Wire Connections Needed to Program the MSP430FR2355

MSP430 LaunchPad (eZ-FET Debug Probe Side) (J101)	MCF8315RRYEVM 4-pin SPI-by-Wire Header (J4)
GND	GND
3V3	3.3V
SBWTDIO	SBWTDIO
SBWTCK	SBWTCK

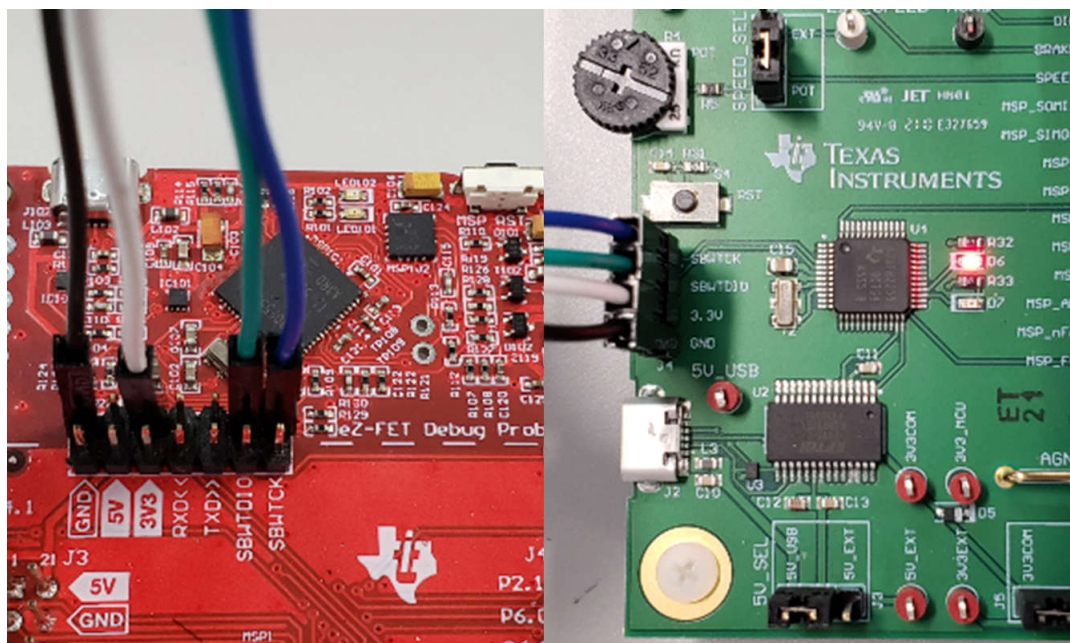


Figure 3-3. MSP430 LaunchPad eZ-FET Probe Connected to MCF8315RRYEVM

4 Hardware Design Files

4.1 Schematics

4.1.1 Main Supply and Pi Filter

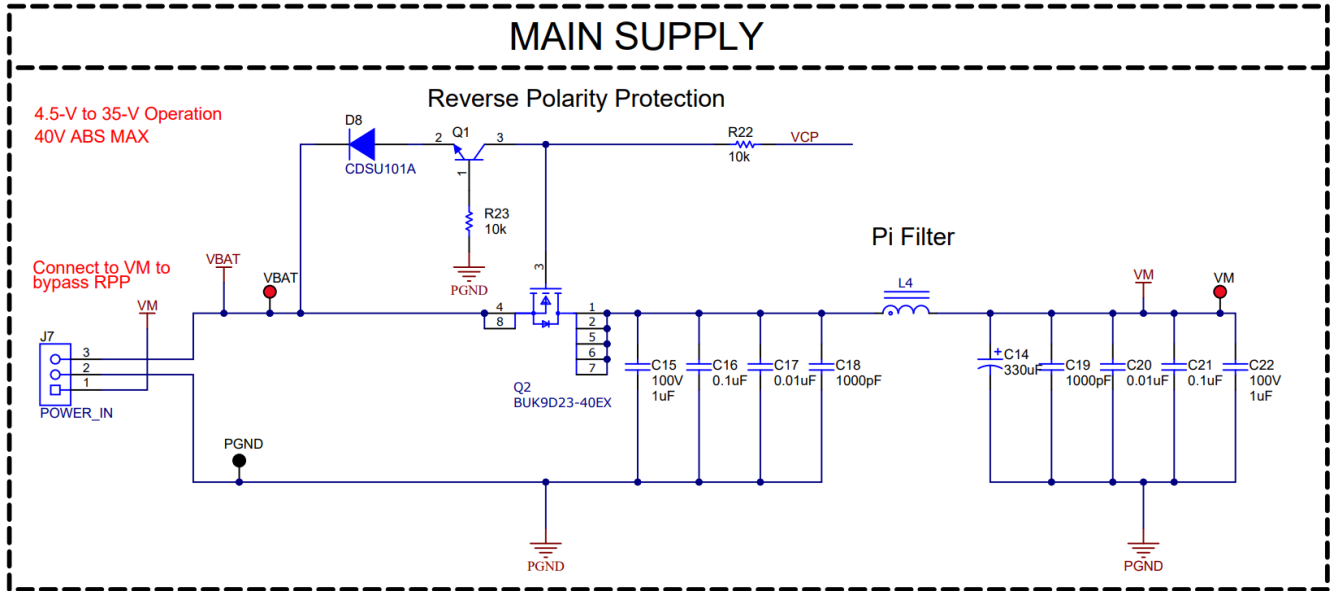


Figure 4-1. Main Supply and Pi Filter Schematic

4.1.2 Connectors and Interface

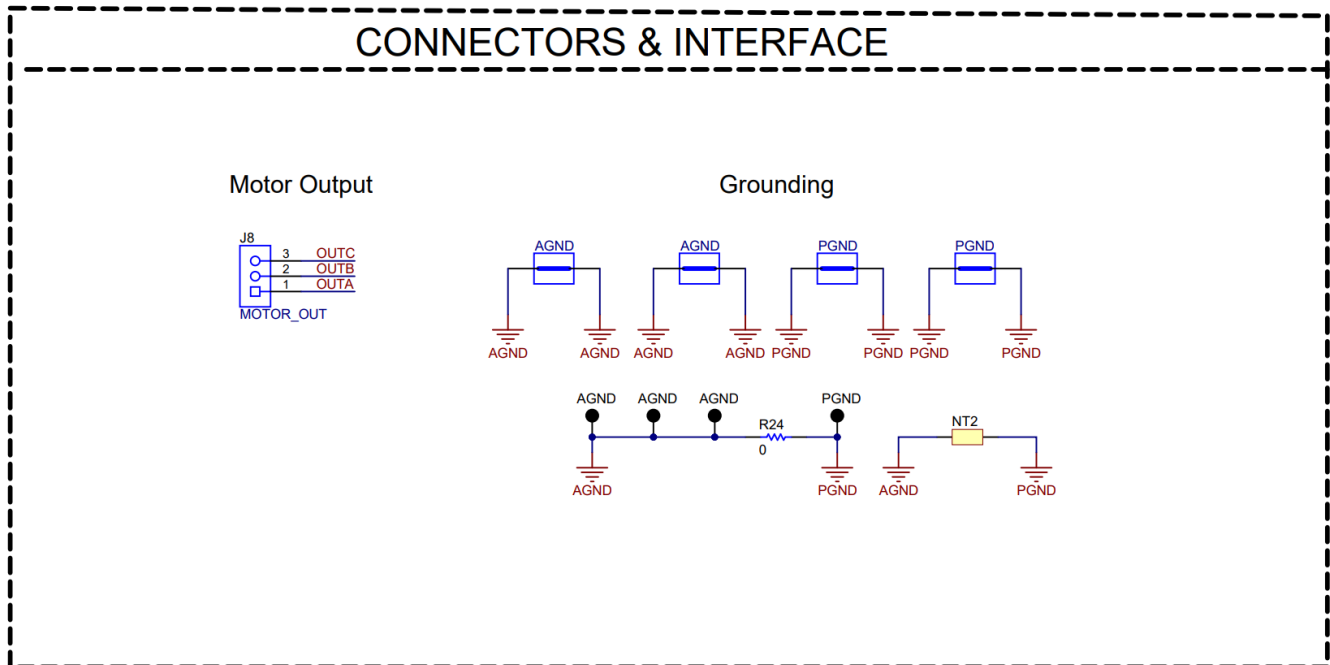


Figure 4-2. Connectors and Interface Schematic

4.1.3 USB to UART

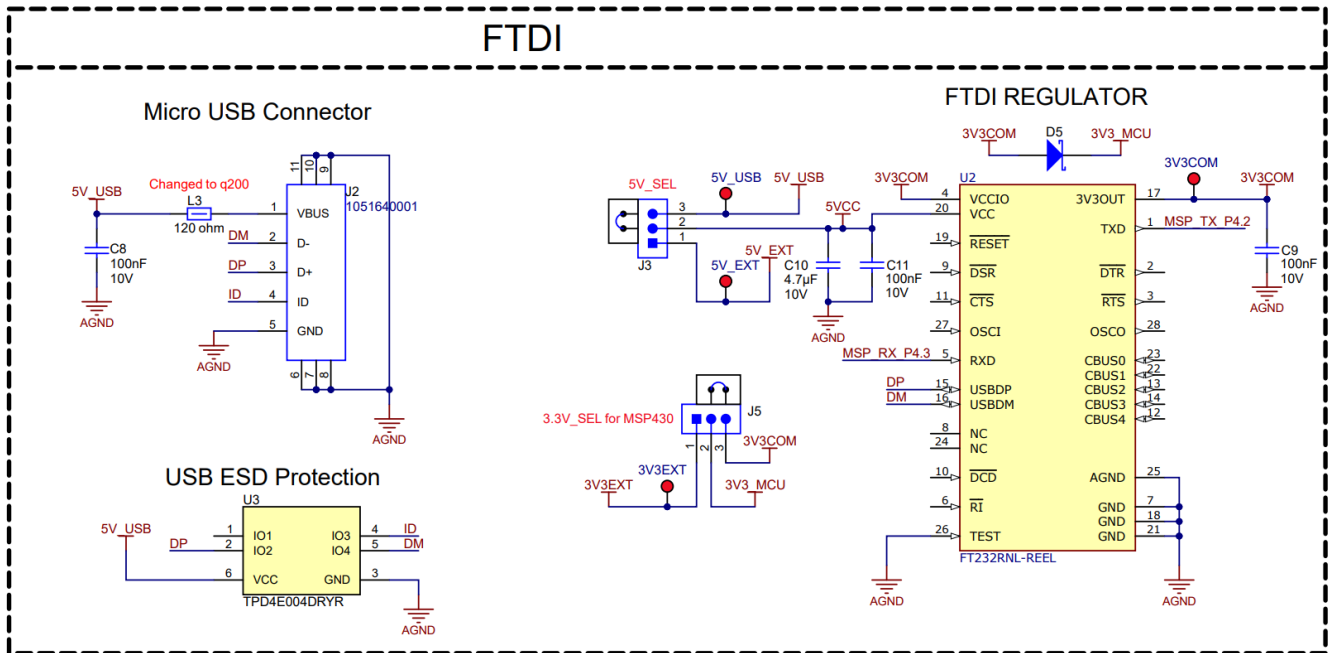


Figure 4-3. USB to UART Schematic

4.1.4 MCU Programming and Debug

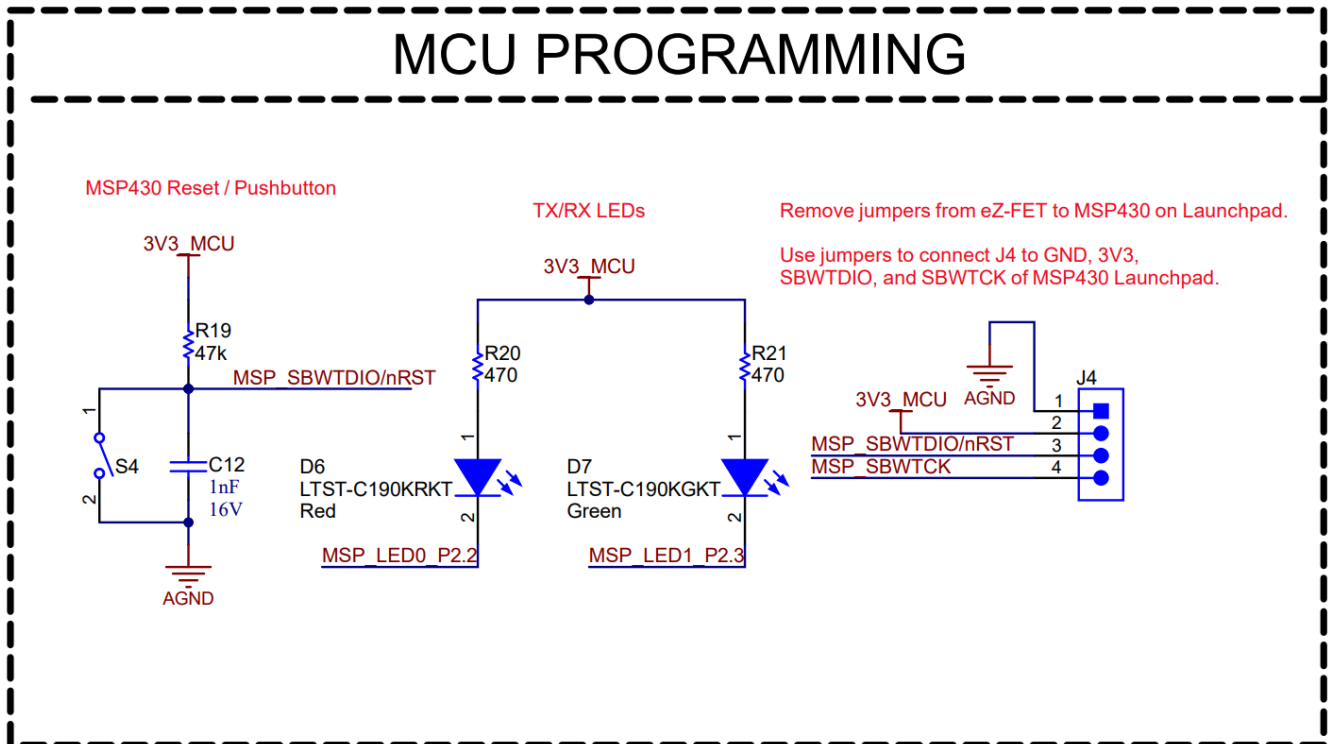


Figure 4-4. MCU Programming and Debug Schematic

4.1.5 MSP430FR2355 MCU

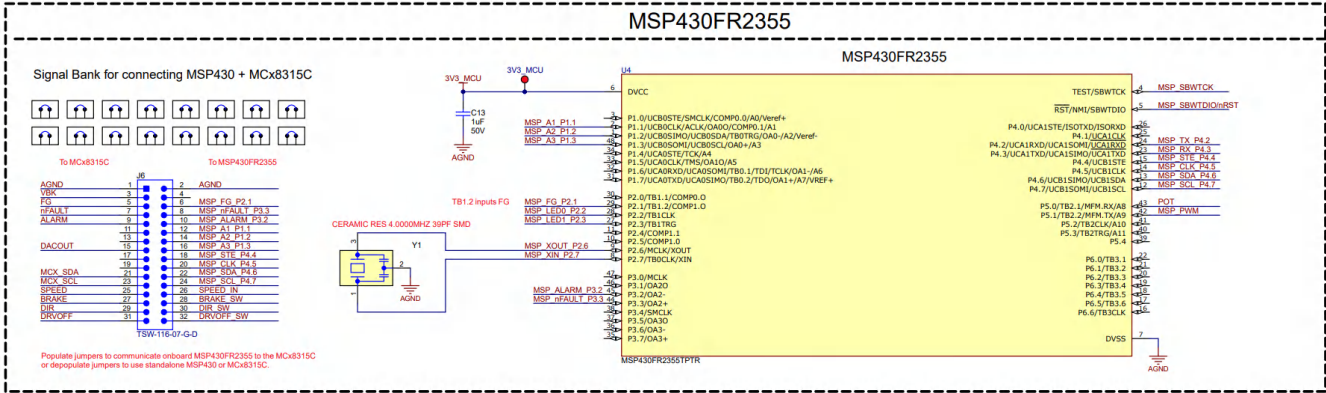


Figure 4-5. MSP430FR2355 MCU Schematic

4.1.6 MCF8315 3-Phase Sensorless FOC Integrated Driver

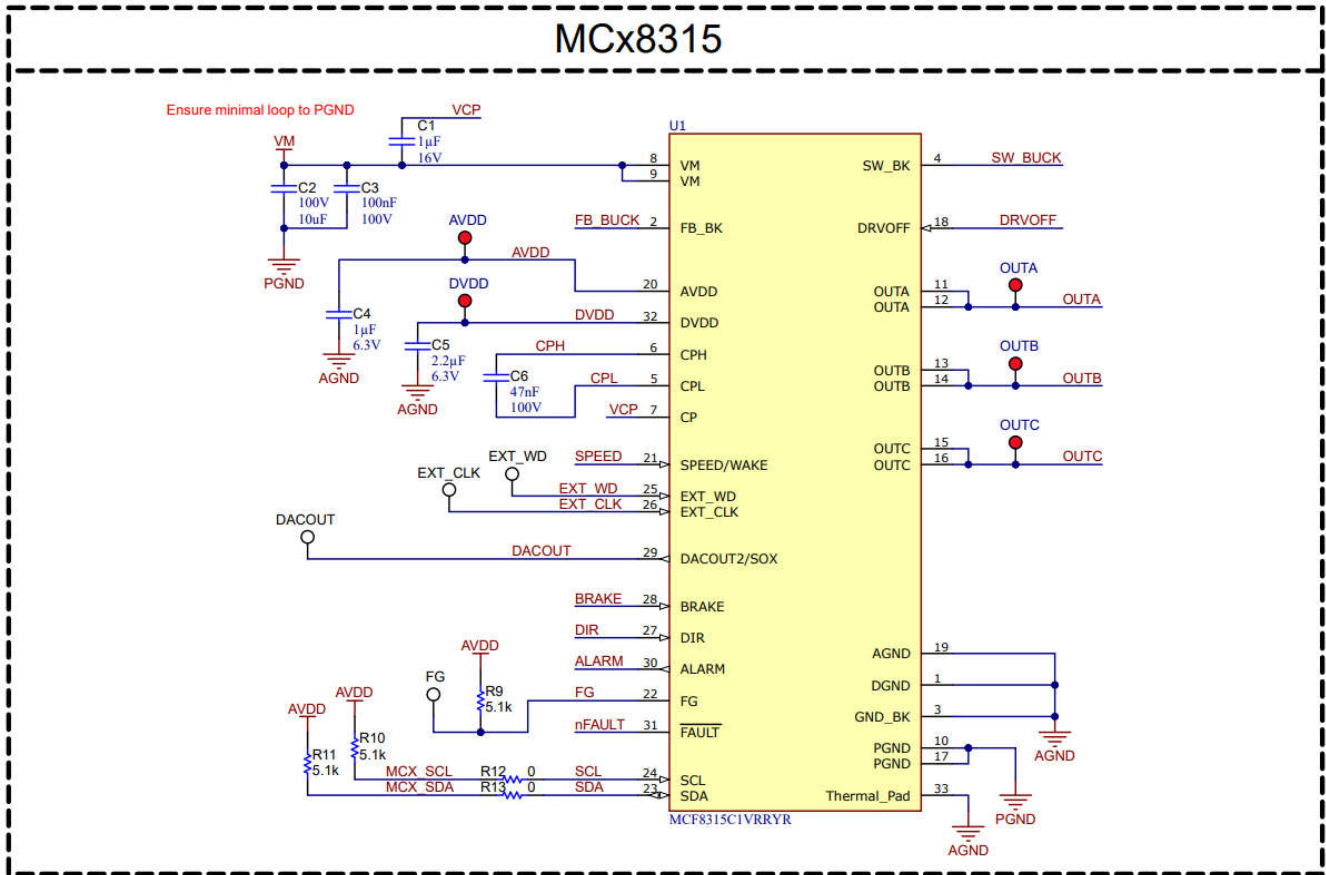


Figure 4-6. MCF8315 3-Phase Sensorless FOC Integrated Driver Schematic

4.1.7 Buck Regulator

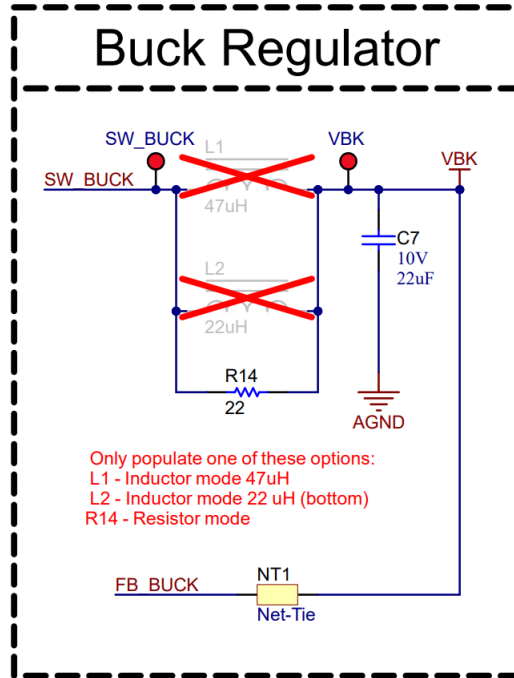


Figure 4-7. Buck Regulator Schematic

4.1.8 Status LEDs

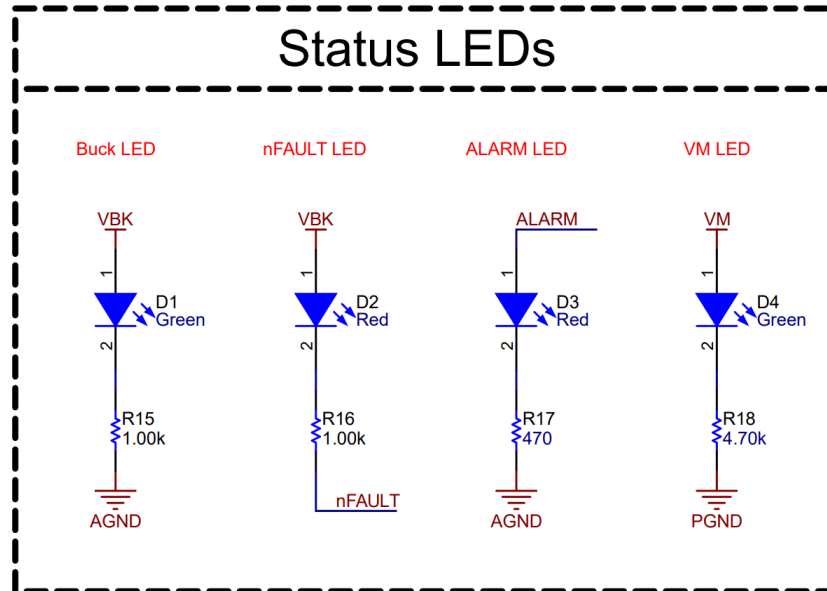


Figure 4-8. Status LEDs Schematic

4.1.9 Switches and Speed Input

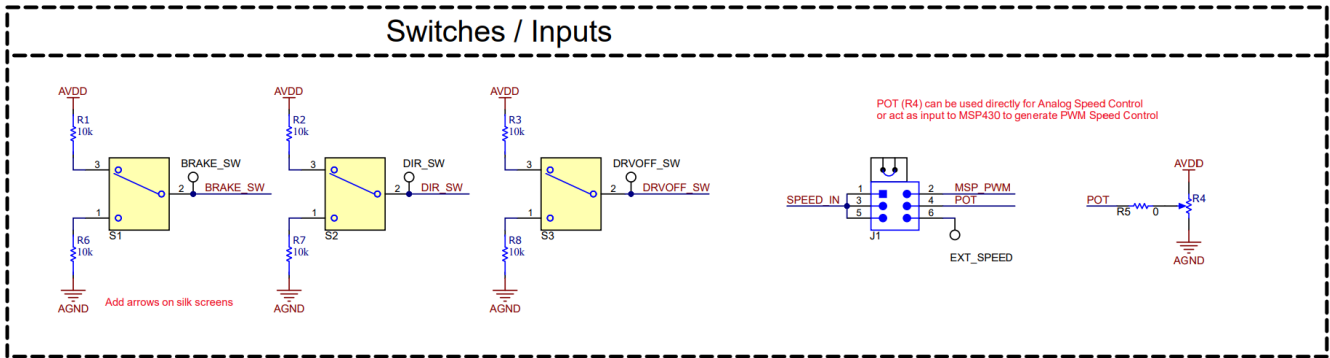


Figure 4-9. Switches and Speed Input Schematic

4.2 PCB Layouts

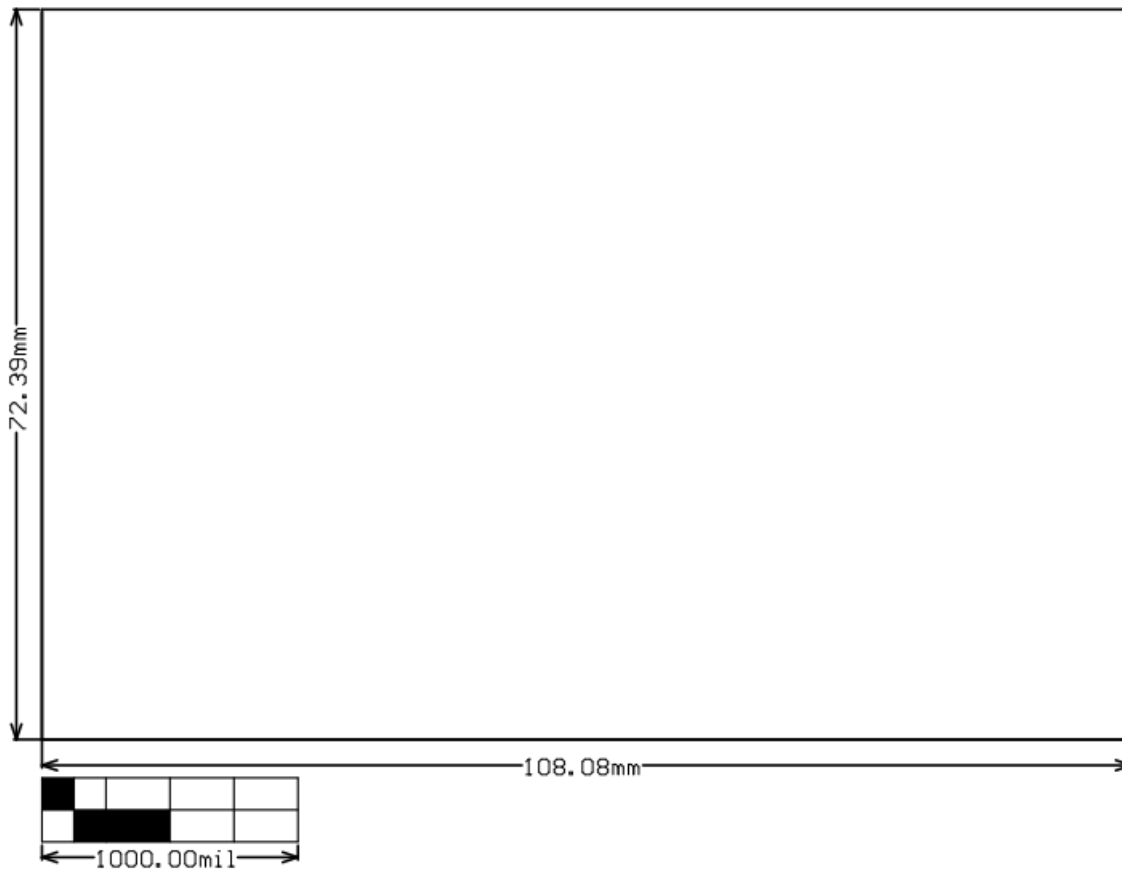


Figure 4-10. EVM Board Dimensions

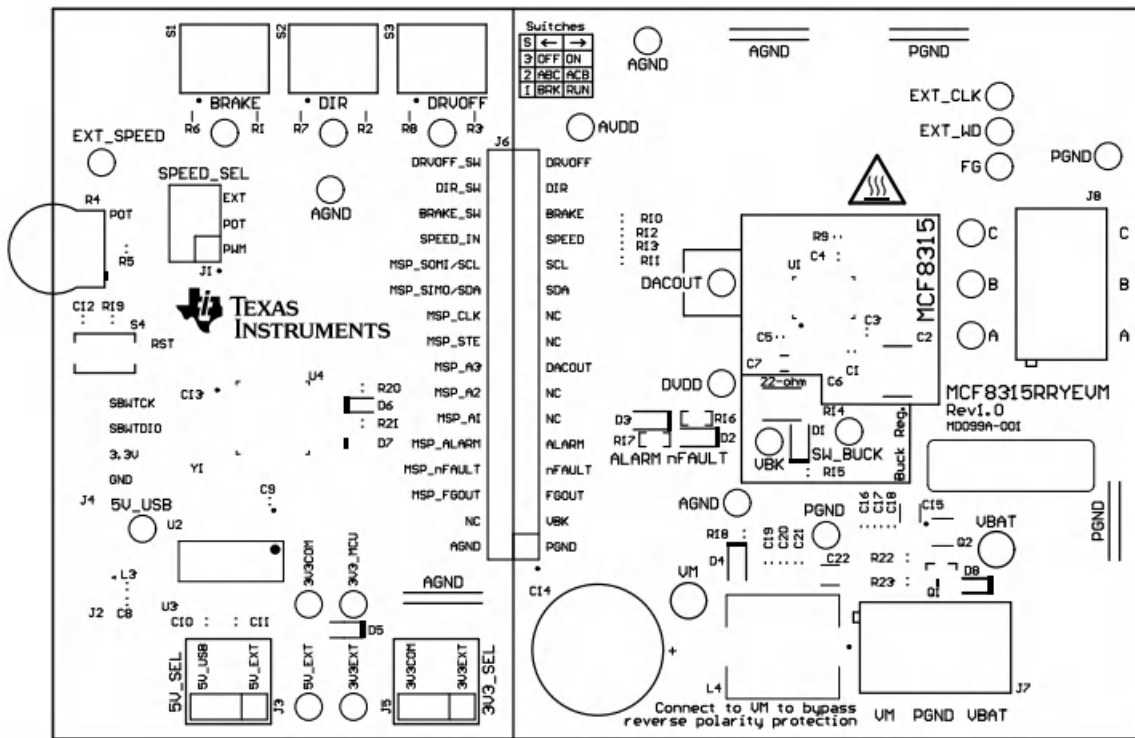


Figure 4-11. EVM Top Overlay

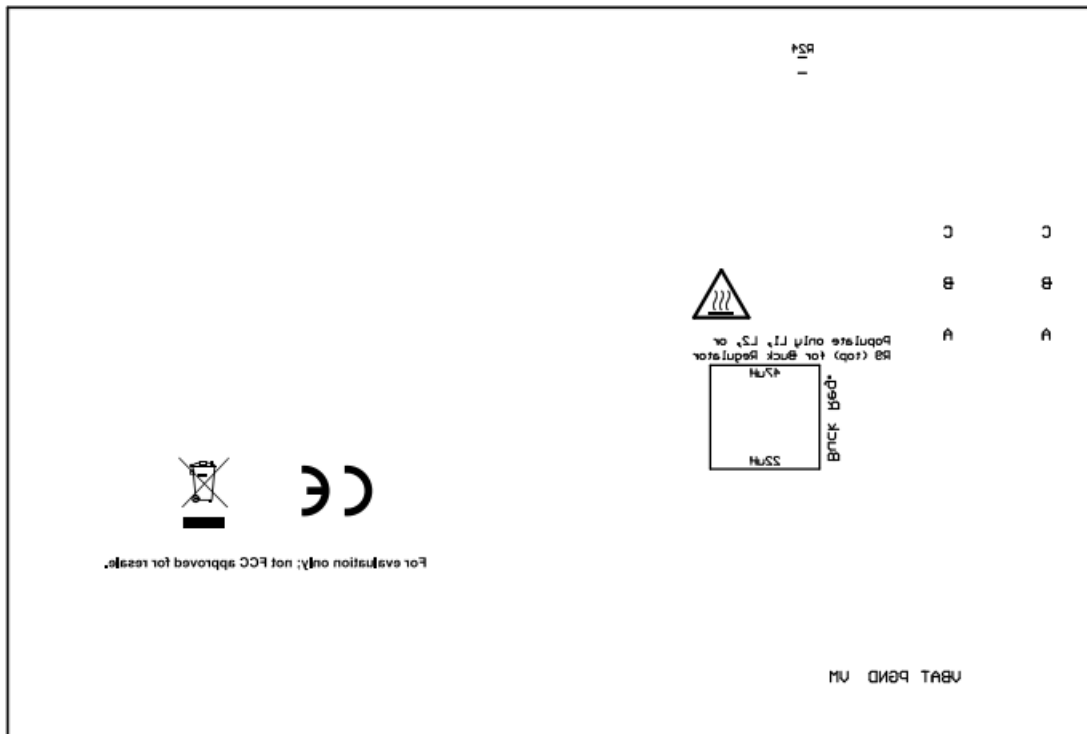


Figure 4-12. EVM Bottom Overlay

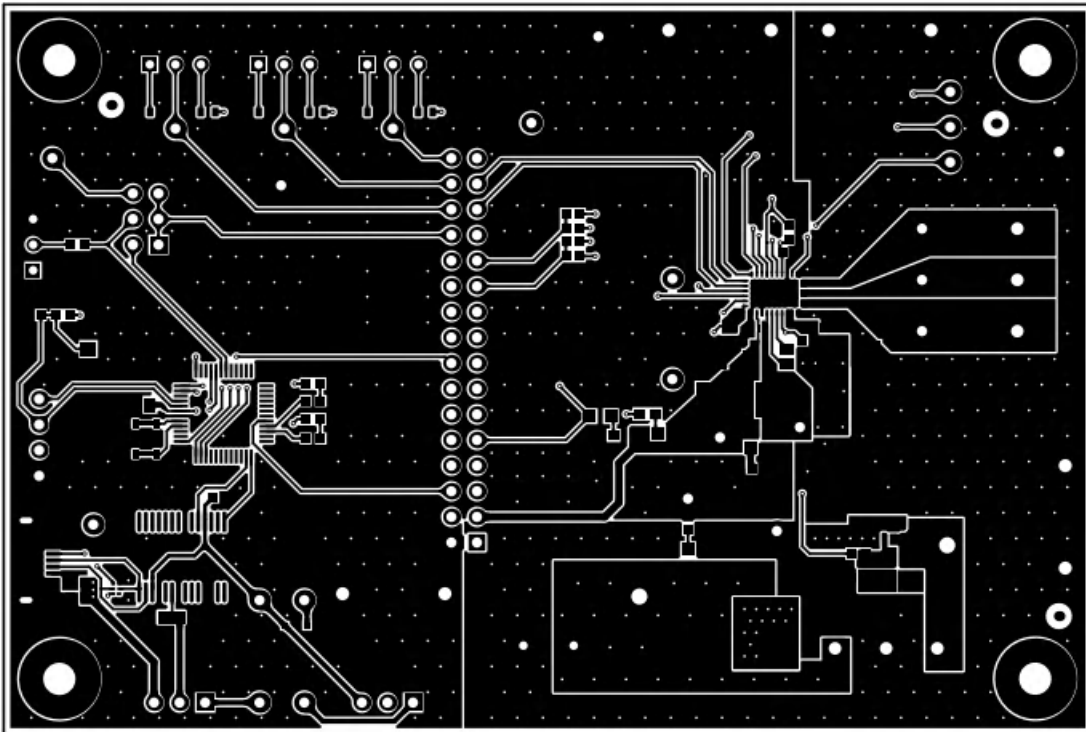


Figure 4-13. EVM Top Layer

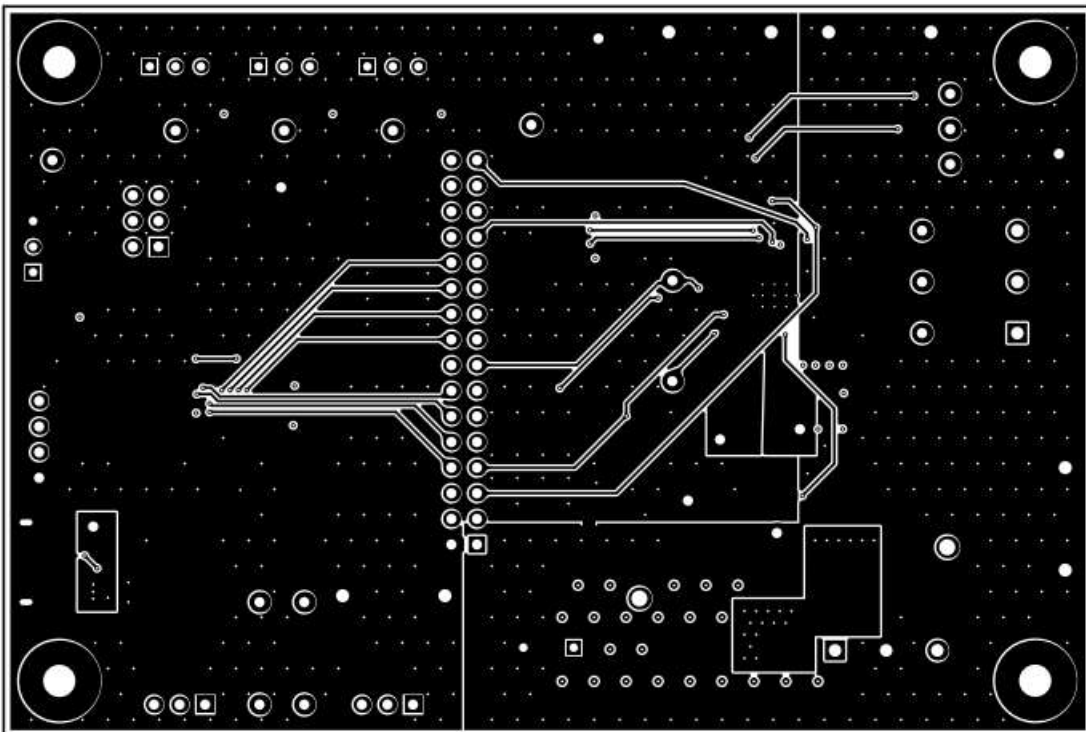


Figure 4-14. EVM Bottom Layer

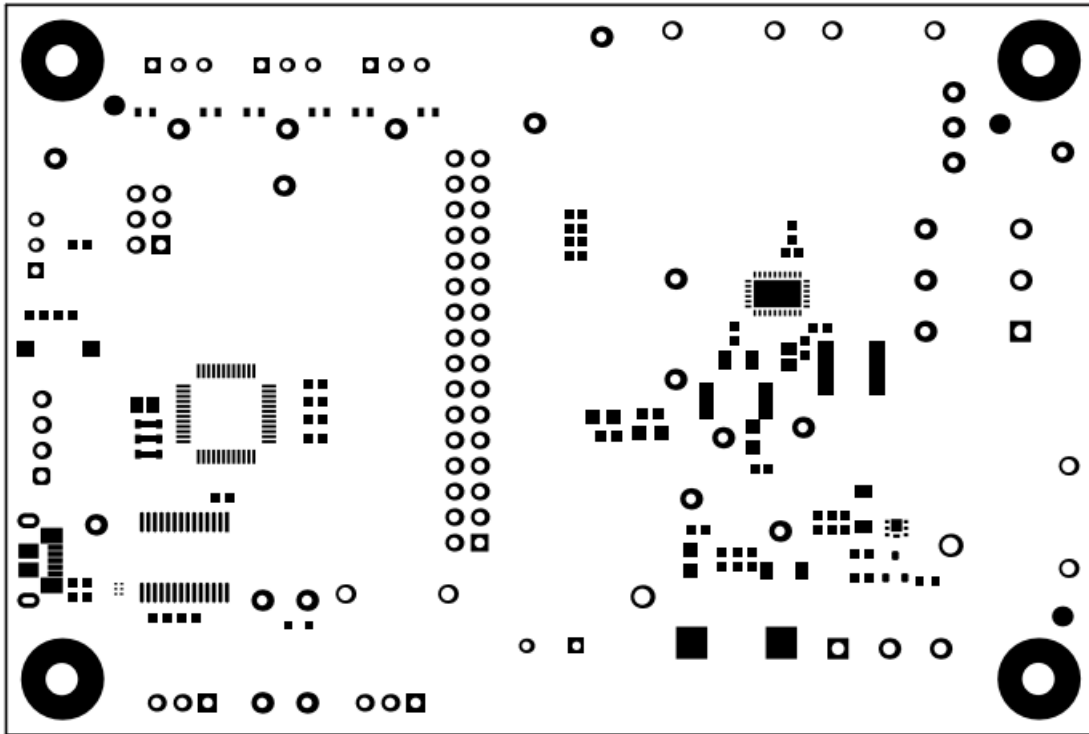


Figure 4-15. EVM Top Solder Mask

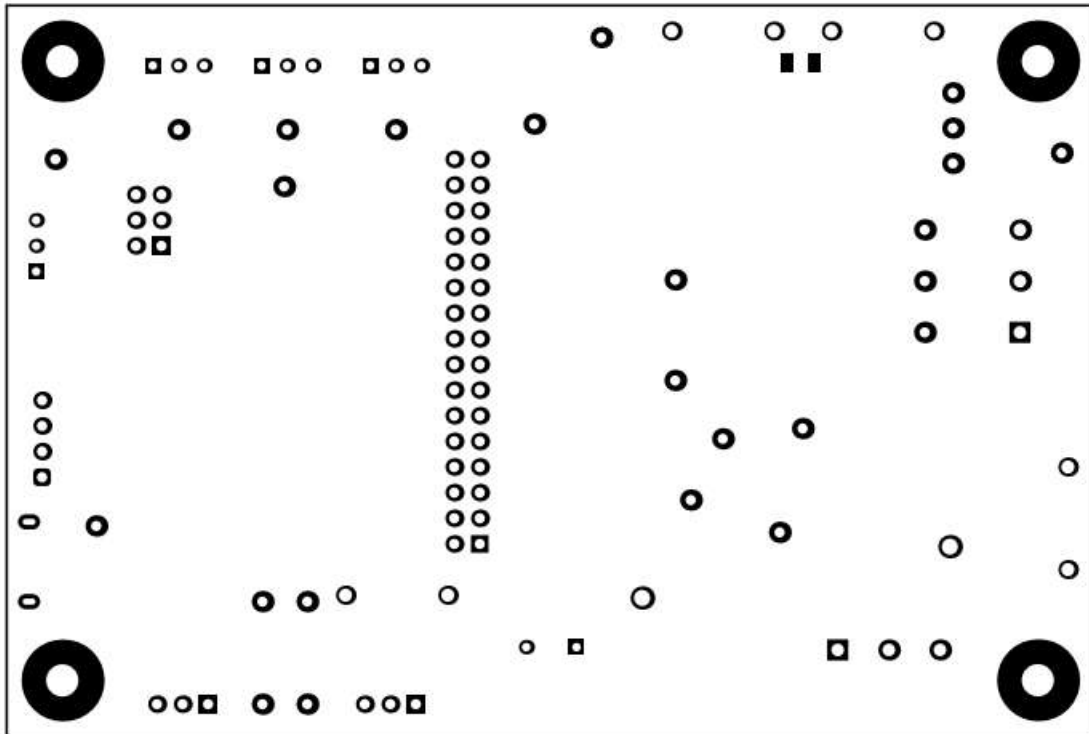


Figure 4-16. EVM Bottom Solder Mask

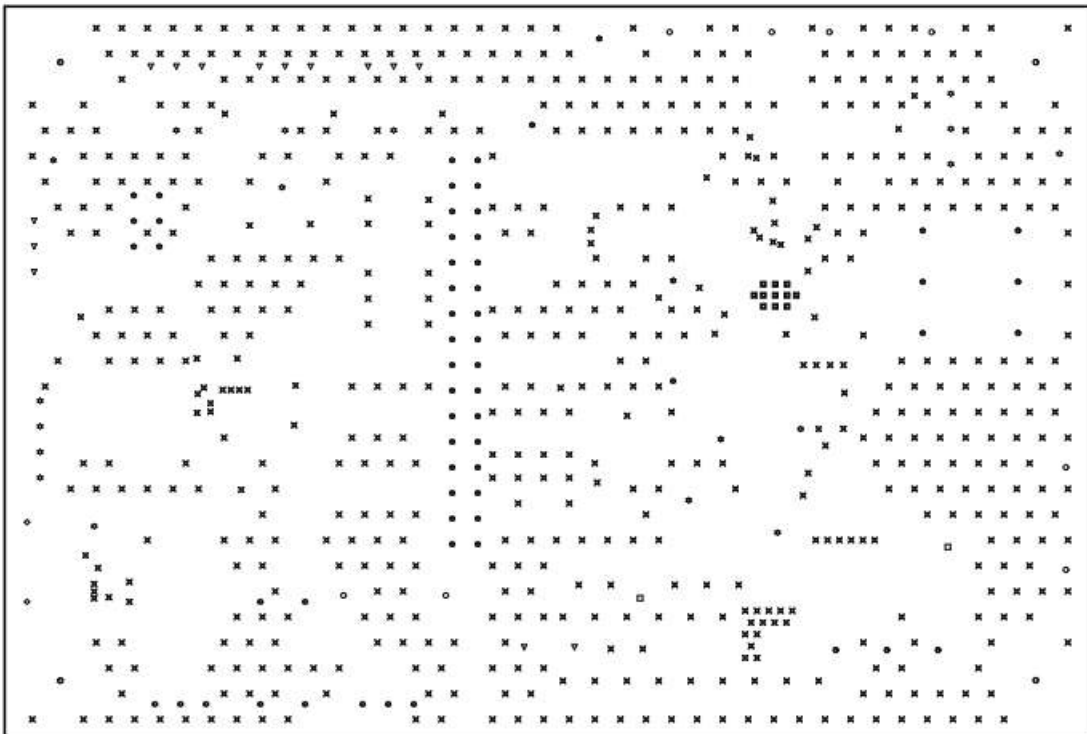


Figure 4-17. EVM Drill Drawing

4.3 Bill of Materials (BOM)

Table 4-1. Bill of Materials

Designator	Quantity	Value	Description	Package Reference	Part Number	Manufacturer
C1	1	1uF	CAP, CERM, 1μF, 16V, +/- 10%, X7R, AEC-Q200 Grade 1, 0603	0603	EMK107B7105KAHT	Taiyo Yuden
C2	1	10uF	CAP, CERM, 10uF, 100V, +/- 20%, X7R, 2220	2220	22201C106MAT2A	AVX
C3	1	0.1uF	CAP, CERM, 0.1uF, 100V, +/- 10%, X7R, 0603	0603	GRM188R72A104KA35D	MuRata
C4	1	1uF	CAP, CERM, 1μF, 6.3V, +/- 10%, X7R, AEC-Q200 Grade 1, 0603	0603	C0603C105K9RACAUTO	Kemet
C5	1	2.2uF	CAP, CERM, 2.2uF, 6.3V, +/- 10%, X7R, AEC-Q200 Grade 1, 0603	0603	GCM188R70J225KE22D	MuRata
C6	1	0.047uF	CAP, CERM, 0.047uF, 100V, +/- 10%, X7R, AEC-Q200 Grade 1, 0805	0805	CGA4J2X7R2A473K125AA	TDK
C7	1	22uF	CAP, CERM, 22uF, 10V, +/- 10%, X7R, 1206	1206	GRM31CR71A226KE15L	MuRata
C8, C9, C11	3	0.1uF	CAP, CERM, 0.1uF, 10V, +/- 10%, X7R, 0603	0603	0603ZC104KAT2A	AVX
C10	1	4.7uF	CAP, CERM, 4.7uF, 10V, +/- 20%, X7R, 0603	0603	GRM188Z71A475ME15D	MuRata
C12	1	1000pF	CAP, CERM, 1000pF, 16V, +/- 10%, X7R, 0603	0603	885012206034	Wurth Elektronik
C13	1	1uF	CAP, CERM, 1uF, 50V, +/- 10%, X7R, 0805	0805	885012207103	Wurth Elektronik
C14	1	330uF	CAP, AL, 330uF, 63V, +/- 20%, AEC-Q200 Grade 2, TH	D12.5xL20mm	ELXZ630ELL331MK20S	Chemi-Con
C15, C22	2	1uF	CAP, CERM, 1uF, 100V, +/- 10%, X7R, 1206	1206	CL31B105KCHNNNE	Samsung
C16, C21	2	0.1uF	CAP, CERM, 0.1uF, 100V, +/- 10%, X7S, AEC-Q200 Grade 1, 0603	0603	CGA3E3X7S2A104K080AB	TDK
C17, C20	2	0.01uF	CAP, CERM, 0.01uF, 100V, +/- 10%, X7R, AEC-Q200 Grade 1, 0603	0603	CGA3E2X7R2A103K080AA	TDK
C18, C19	2	1000pF	CAP, CERM, 1000pF, 100V, +/- 10%, X7R, AEC-Q200 Grade 1, 0603	0603	CGA3E2X7R2A102K080AA	TDK
D1, D4	2	Green	LED, Green, SMD	LED_0805	LTST-C170KGKT	Lite-On
D2, D3	2	Red	LED, Red, SMD	Red 0805 LED	LTST-C170KRKT	Lite-On
D5	1	40V	Diode, Schottky, 40V, 0.75A, AEC-Q101, SOD-323	SOD-323	BAT165E6327HTSA1	Infineon Technologies
D6	1	Red	LED, Red, SMD	Red LED, 1.6x0.8x0.8mm	LTST-C190KRKT	Lite-On

Table 4-1. Bill of Materials (continued)

Designator	Quantity	Value	Description	Package Reference	Part Number	Manufacturer
D7	1	Green	LED, Green, SMD	1.6x0.8x0.8mm	LTST-C190KGKT	Lite-On
D8	1	90V	Diode, Switching, 90V, 0.1A, SOD-523F	SOD-523F	CDSU101A	Comchip Technology
FID1, FID2, FID3	3		Fiducial mark. There is nothing to buy or mount.	N/A	N/A	N/A
H1, H2, H3, H4	4		Machine Screw, Round, #4-40 x 1/4, Nylon, Philips panhead	Screw	NY PMS 440 0025 PH	B&F Fastener Supply
H5, H6, H7, H8	4		Standoff, Hex, 0.5"L #4-40 Nylon	Standoff	1902C	Keystone
J1	1		Header, 100mil, 3x2, Gold, TH	3x2 Header	TSW-103-07-G-D	Samtec
J2	1		Receptacle, USB 2.0, Micro B, 5 Position, R/A, SMT	Receptacle, USB 2.0, Micro B, 5 Pos, 0.65mm Pitch, R/A, SMT	1051640001	Molex
J3, J5	2		Header, 100mil, 3x1, Gold, TH	PBC03SAAN	PBC03SAAN	Sullins Connector Solutions
J4	1		Header, 100mil, 4x1, Gold, TH	4x1 Header	TSW-104-07-G-S	Samtec
J6	1		Header, 100mil, 16x2, Gold, TH	16x2 Header	TSW-116-07-G-D	Samtec
J7, J8	2		Terminal Block, 5.08mm, 3x1, Brass, TH	3x1 5.08mm Terminal Block	ED120/3DS	On-Shore Technology
L3	1		Inductor, Ferrite Bead, Ferrite, 3A, 120 ohm, AEC-Q200 Grade 1, SMD	0603	BLM18SG121TZ1D	MuRata
L4	1	1uH	1μH Shielded - Inductor 19A 3.1mOhm Max Nonstandard	SMD2	HCM1A1104V2-1R0-R	Eaton
LBL1	1			PCB Label 0.650 x 0.200 inch	THT-14-423-10	Brady
Q1	1	80V	Transistor, NPN, 80V, 1.5A, AEC-Q101, SOT-23	SOT-23	FMMT620TA	Diodes Inc.
Q2	1		N-Channel 40V 8A (Ta) 15W (Tc) Surface Mount DFN2020MD-6	SOT1220	BUK9D23-40EX	Nexperia
R1, R2, R3, R6, R7, R8	6	10k	Res Thin Film 0603 10K Ohm 0.1% 1/10W ±10ppm/°C Molded SMD SMD Punched Carrier T/R	0603	ERA-3ARB103V	Panasonic
R4	1	25 kohm	Trimmer Potentiometer, 25kohm, 0.5W, TH	9.53x8.89mm	3352T-1-253LF	Bourns
R5, R12, R13	3	0	RES, 0, 5%, 0.1 W, AEC-Q200 Grade 0, 0603	0603	ERJ-3GEY0R00V	Panasonic

Table 4-1. Bill of Materials (continued)

Designator	Quantity	Value	Description	Package Reference	Part Number	Manufacturer
R9, R10, R11	3	5.1k	RES, 5.1 k, 5%, 0.1 W, AEC-Q200 Grade 0, 0603	0603	CRCW06035K10JNEA	Vishay-Dale
R14	1	22	RES, 22, 5%, 1.5 W, AEC-Q200 Grade 0, 2512	2512	CRCW251222R0JNEGHP	Vishay-Dale
R15, R16	2	1.00k	RES, 1.00 k, 1%, 0.1 W, 0603	0603	RC0603FR-071KL	Yageo
R17, R20, R21	3	470	RES, 470, 5%, 0.1 W, 0603	0603	RC0603JR-07470RL	Yageo
R18	1	4.70k	RES, 4.70 k, 0.1%, 0.1 W, 0603	0603	RT0603BRD074K7L	Yageo America
R19	1	47k	RES, 47 k, 5%, 0.1 W, 0603	0603	RC0603JR-0747KL	Yageo
R22, R23	2	10k	RES, 10 k, 5%, 0.1 W, AEC-Q200 Grade 0, 0603	0603	CRCW060310K0JNEA	Vishay-Dale
R24	1	0	RES, 0, 5%, 0.25 W, AEC-Q200 Grade 0, 1206	1206	RCA12060000ZSEA	Vishay-Dale
S1, S2, S3	3		SWITCH TOGGLE SPDT 0.4VA 28V	6.8x23.1x8.8mm	B12AP	NKK Switches
S4	1		Switch, Tactile, SPST, 12V, SMD	SMD, 6x3.9mm	434121025816	Würth Elektronik
SH-J1, SH-J2, SH-J3, SH-J4, SH-J5, SH-J6, SH-J7, SH-J8, SH-J9, SH-J10, SH-J11, SH-J12, SH-J13, SH-J14, SH-J15, SH-J16, SH-J17, SH-J18, SH-J19	19	1x2	Shunt, 100mil, Gold plated, Black	Shunt	SNT-100-BK-G	Samtec
TP1, TP2, TP3, TP4, TP10, TP11, TP12, TP13	8		Test Point, Miniature, White, TH	White Miniature Testpoint	5002	Keystone
TP5, TP6, TP7, TP8, TP9, TP14, TP15, TP16, TP17, TP18, TP19, TP20	12		Test Point, Miniature, Red, TH	Red Miniature Testpoint	5000	Keystone
TP21, TP22	2		Test Point, Compact, Red, TH	Red Compact Testpoint	5005	Keystone
TP23, TP28, TP29, TP30, TP31	5		Test Point, Miniature, Black, TH	Black Miniature Testpoint	5001	Keystone

Table 4-1. Bill of Materials (continued)

Designator	Quantity	Value	Description	Package Reference	Part Number	Manufacturer
TP24, TP25, TP26, TP27	4		1mm Uninsulated Shorting Plug, 10.16mm spacing, TH	Shorting Plug, 10.16mm spacing, TH	D3082-05	Harwin
U1	1		Sensorless Field Oriented Control (FOC) Integrated FET BLDC Driver, WQFN32	WQFN32	MCF8315C1VRRYR	Texas Instruments
U2	1		UART Interface IC USB Full Speed to Serial UART IC, Includes Oscillator and EEPROM, SSOP-28	SSOP28	FT232RNL-REEL	FTDI
U3	1		4-Channel ESD Protection Array for High-Speed Data Interfaces, DRY0006A (USON-6)	DRY0006A	TPD4E004DRYR	Texas Instruments
U4	1		CPU16 MSP430 FRAM Microcontroller IC 16-Bit 24MHz 32KB (32K x 8) FRAM 48-LQFP (7x7)	LQFP48	MSP430FR2355TPTR	Texas Instruments
Y1	1		Resonator, 4MHz, 39pF, AEC-Q200 Grade 1, SMD	4.5x1.2x2 mm	CSTCR4M00G55B-R0	MuRata
L1	0	47uH	Inductor, Shielded, Powdered Iron, 47uH, 0.39A, 2.3 ohm, AEC-Q200 Grade 1, SMD	SMD, 2-Leads, Body 3x3mm	78438335470	Würth Elektronik
L2	0	22uH	Inductor, Shielded, Powdered Iron, 22uH, 0.6A, 1.04 ohm, AEC-Q200 Grade 1, SMD	SMD, 2-Leads, Body 3x3mm	78438335220	Würth Elektronik

5 Additional Information

5.1 Trademarks

MSP430™, LaunchPads™, and Code Composer Studio™ are trademarks of Texas Instruments. All trademarks are the property of their respective owners.

STANDARD TERMS FOR EVALUATION MODULES

1. *Delivery:* TI delivers TI evaluation boards, kits, or modules, including any accompanying demonstration software, components, and/or documentation which may be provided together or separately (collectively, an "EVM" or "EVMs") to the User ("User") in accordance with the terms set forth herein. User's acceptance of the EVM is expressly subject to the following terms.
 - 1.1 EVMs are intended solely for product or software developers for use in a research and development setting to facilitate feasibility evaluation, experimentation, or scientific analysis of TI semiconductors products. EVMs have no direct function and are not finished products. EVMs shall not be directly or indirectly assembled as a part or subassembly in any finished product. For clarification, any software or software tools provided with the EVM ("Software") shall not be subject to the terms and conditions set forth herein but rather shall be subject to the applicable terms that accompany such Software
 - 1.2 EVMs are not intended for consumer or household use. EVMs may not be sold, sublicensed, leased, rented, loaned, assigned, or otherwise distributed for commercial purposes by Users, in whole or in part, or used in any finished product or production system.
2. *Limited Warranty and Related Remedies/Disclaimers:*
 - 2.1 These terms do not apply to Software. The warranty, if any, for Software is covered in the applicable Software License Agreement.
 - 2.2 TI warrants that the TI EVM will conform to TI's published specifications for ninety (90) days after the date TI delivers such EVM to User. Notwithstanding the foregoing, TI shall not be liable for a nonconforming EVM if (a) the nonconformity was caused by neglect, misuse or mistreatment by an entity other than TI, including improper installation or testing, or for any EVMs that have been altered or modified in any way by an entity other than TI, (b) the nonconformity resulted from User's design, specifications or instructions for such EVMs or improper system design, or (c) User has not paid on time. Testing and other quality control techniques are used to the extent TI deems necessary. TI does not test all parameters of each EVM. User's claims against TI under this Section 2 are void if User fails to notify TI of any apparent defects in the EVMs within ten (10) business days after delivery, or of any hidden defects with ten (10) business days after the defect has been detected.
 - 2.3 TI's sole liability shall be at its option to repair or replace EVMs that fail to conform to the warranty set forth above, or credit User's account for such EVM. TI's liability under this warranty shall be limited to EVMs that are returned during the warranty period to the address designated by TI and that are determined by TI not to conform to such warranty. If TI elects to repair or replace such EVM, TI shall have a reasonable time to repair such EVM or provide replacements. Repaired EVMs shall be warranted for the remainder of the original warranty period. Replaced EVMs shall be warranted for a new full ninety (90) day warranty period.

WARNING

Evaluation Kits are intended solely for use by technically qualified, professional electronics experts who are familiar with the dangers and application risks associated with handling electrical mechanical components, systems, and subsystems.

User shall operate the Evaluation Kit within TI's recommended guidelines and any applicable legal or environmental requirements as well as reasonable and customary safeguards. Failure to set up and/or operate the Evaluation Kit within TI's recommended guidelines may result in personal injury or death or property damage. Proper set up entails following TI's instructions for electrical ratings of interface circuits such as input, output and electrical loads.

NOTE:

EXPOSURE TO ELECTROSTATIC DISCHARGE (ESD) MAY CAUSE DEGRADATION OR FAILURE OF THE EVALUATION KIT; TI RECOMMENDS STORAGE OF THE EVALUATION KIT IN A PROTECTIVE ESD BAG.

3 Regulatory Notices:

3.1 United States

3.1.1 Notice applicable to EVMs not FCC-Approved:

FCC NOTICE: This kit is designed to allow product developers to evaluate electronic components, circuitry, or software associated with the kit to determine whether to incorporate such items in a finished product and software developers to write software applications for use with the end product. This kit is not a finished product and when assembled may not be resold or otherwise marketed unless all required FCC equipment authorizations are first obtained. Operation is subject to the condition that this product not cause harmful interference to licensed radio stations and that this product accept harmful interference. Unless the assembled kit is designed to operate under part 15, part 18 or part 95 of this chapter, the operator of the kit must operate under the authority of an FCC license holder or must secure an experimental authorization under part 5 of this chapter.

3.1.2 For EVMs annotated as FCC – FEDERAL COMMUNICATIONS COMMISSION Part 15 Compliant:

CAUTION

This device complies with part 15 of the FCC Rules. Operation is subject to the following two conditions: (1) This device may not cause harmful interference, and (2) this device must accept any interference received, including interference that may cause undesired operation.

Changes or modifications not expressly approved by the party responsible for compliance could void the user's authority to operate the equipment.

FCC Interference Statement for Class A EVM devices

NOTE: This equipment has been tested and found to comply with the limits for a Class A digital device, pursuant to part 15 of the FCC Rules. These limits are designed to provide reasonable protection against harmful interference when the equipment is operated in a commercial environment. This equipment generates, uses, and can radiate radio frequency energy and, if not installed and used in accordance with the instruction manual, may cause harmful interference to radio communications. Operation of this equipment in a residential area is likely to cause harmful interference in which case the user will be required to correct the interference at his own expense.

FCC Interference Statement for Class B EVM devices

NOTE: This equipment has been tested and found to comply with the limits for a Class B digital device, pursuant to part 15 of the FCC Rules. These limits are designed to provide reasonable protection against harmful interference in a residential installation. This equipment generates, uses and can radiate radio frequency energy and, if not installed and used in accordance with the instructions, may cause harmful interference to radio communications. However, there is no guarantee that interference will not occur in a particular installation. If this equipment does cause harmful interference to radio or television reception, which can be determined by turning the equipment off and on, the user is encouraged to try to correct the interference by one or more of the following measures:

- Reorient or relocate the receiving antenna.
- Increase the separation between the equipment and receiver.
- Connect the equipment into an outlet on a circuit different from that to which the receiver is connected.
- Consult the dealer or an experienced radio/TV technician for help.

3.2 Canada

3.2.1 For EVMs issued with an Industry Canada Certificate of Conformance to RSS-210 or RSS-247

Concerning EVMs Including Radio Transmitters:

This device complies with Industry Canada license-exempt RSSs. Operation is subject to the following two conditions:

(1) this device may not cause interference, and (2) this device must accept any interference, including interference that may cause undesired operation of the device.

Concernant les EVMs avec appareils radio:

Le présent appareil est conforme aux CNR d'Industrie Canada applicables aux appareils radio exempts de licence. L'exploitation est autorisée aux deux conditions suivantes: (1) l'appareil ne doit pas produire de brouillage, et (2) l'utilisateur de l'appareil doit accepter tout brouillage radioélectrique subi, même si le brouillage est susceptible d'en compromettre le fonctionnement.

Concerning EVMs Including Detachable Antennas:

Under Industry Canada regulations, this radio transmitter may only operate using an antenna of a type and maximum (or lesser) gain approved for the transmitter by Industry Canada. To reduce potential radio interference to other users, the antenna type and its gain should be so chosen that the equivalent isotropically radiated power (e.i.r.p.) is not more than that necessary for successful communication. This radio transmitter has been approved by Industry Canada to operate with the antenna types listed in the user guide with the maximum permissible gain and required antenna impedance for each antenna type indicated. Antenna types not included in this list, having a gain greater than the maximum gain indicated for that type, are strictly prohibited for use with this device.

Concernant les EVMs avec antennes détachables

Conformément à la réglementation d'Industrie Canada, le présent émetteur radio peut fonctionner avec une antenne d'un type et d'un gain maximal (ou inférieur) approuvé pour l'émetteur par Industrie Canada. Dans le but de réduire les risques de brouillage radioélectrique à l'intention des autres utilisateurs, il faut choisir le type d'antenne et son gain de sorte que la puissance isotrope rayonnée équivalente (p.i.r.e.) ne dépasse pas l'intensité nécessaire à l'établissement d'une communication satisfaisante. Le présent émetteur radio a été approuvé par Industrie Canada pour fonctionner avec les types d'antenne énumérés dans le manuel d'usage et ayant un gain admissible maximal et l'impédance requise pour chaque type d'antenne. Les types d'antenne non inclus dans cette liste, ou dont le gain est supérieur au gain maximal indiqué, sont strictement interdits pour l'exploitation de l'émetteur.

3.3 Japan

3.3.1 *Notice for EVMs delivered in Japan:* Please see http://www.tij.co.jp/lstds/ti_ja/general/eStore/notice_01.page 日本国内に輸入される評価用キット、ボードについては、次のところをご覧ください。

<https://www.ti.com/ja-jp/legal/notice-for-evaluation-kits-delivered-in-japan.html>

3.3.2 *Notice for Users of EVMs Considered "Radio Frequency Products" in Japan:* EVMs entering Japan may not be certified by TI as conforming to Technical Regulations of Radio Law of Japan.

If User uses EVMs in Japan, not certified to Technical Regulations of Radio Law of Japan, User is required to follow the instructions set forth by Radio Law of Japan, which includes, but is not limited to, the instructions below with respect to EVMs (which for the avoidance of doubt are stated strictly for convenience and should be verified by User):

1. Use EVMs in a shielded room or any other test facility as defined in the notification #173 issued by Ministry of Internal Affairs and Communications on March 28, 2006, based on Sub-section 1.1 of Article 6 of the Ministry's Rule for Enforcement of Radio Law of Japan,
2. Use EVMs only after User obtains the license of Test Radio Station as provided in Radio Law of Japan with respect to EVMs, or
3. Use of EVMs only after User obtains the Technical Regulations Conformity Certification as provided in Radio Law of Japan with respect to EVMs. Also, do not transfer EVMs, unless User gives the same notice above to the transferee. Please note that if User does not follow the instructions above, User will be subject to penalties of Radio Law of Japan.

【無線電波を送信する製品の開発キットをお使いになる際の注意事項】 開発キットの中には技術基準適合証明を受けていないものがあります。技術適合証明を受けていないものご使用に際しては、電波法遵守のため、以下のいずれかの措置を取っていただく必要がありますのでご注意ください。

1. 電波法施行規則第6条第1項第1号に基づく平成18年3月28日総務省告示第173号で定められた電波暗室等の試験設備でご使用いただく。
2. 実験局の免許を取得後ご使用いただく。
3. 技術基準適合証明を取得後ご使用いただく。

なお、本製品は、上記の「ご使用にあたっての注意」を譲渡先、移転先に通知しない限り、譲渡、移転できないものとします。

上記を遵守頂けない場合は、電波法の罰則が適用される可能性があることをご留意ください。日本テキサス・イ

ンスツルメンツ株式会社

東京都新宿区西新宿 6 丁目 2 4 番 1 号

西新宿三井ビル

3.3.3 *Notice for EVMs for Power Line Communication:* Please see http://www.tij.co.jp/lstds/ti_ja/general/eStore/notice_02.page

電力線搬送波通信についての開発キットをお使いになる際の注意事項については、次のところをご覧ください。 <https://www.ti.com/ja-jp/legal/notice-for-evaluation-kits-for-power-line-communication.html>

3.4 European Union

3.4.1 *For EVMs subject to EU Directive 2014/30/EU (Electromagnetic Compatibility Directive):*

This is a class A product intended for use in environments other than domestic environments that are connected to a low-voltage power-supply network that supplies buildings used for domestic purposes. In a domestic environment this product may cause radio interference in which case the user may be required to take adequate measures.

-
- 4 *EVM Use Restrictions and Warnings:*
 - 4.1 EVMS ARE NOT FOR USE IN FUNCTIONAL SAFETY AND/OR SAFETY CRITICAL EVALUATIONS, INCLUDING BUT NOT LIMITED TO EVALUATIONS OF LIFE SUPPORT APPLICATIONS.
 - 4.2 User must read and apply the user guide and other available documentation provided by TI regarding the EVM prior to handling or using the EVM, including without limitation any warning or restriction notices. The notices contain important safety information related to, for example, temperatures and voltages.
 - 4.3 *Safety-Related Warnings and Restrictions:*
 - 4.3.1 User shall operate the EVM within TI's recommended specifications and environmental considerations stated in the user guide, other available documentation provided by TI, and any other applicable requirements and employ reasonable and customary safeguards. Exceeding the specified performance ratings and specifications (including but not limited to input and output voltage, current, power, and environmental ranges) for the EVM may cause personal injury or death, or property damage. If there are questions concerning performance ratings and specifications, User should contact a TI field representative prior to connecting interface electronics including input power and intended loads. Any loads applied outside of the specified output range may also result in unintended and/or inaccurate operation and/or possible permanent damage to the EVM and/or interface electronics. Please consult the EVM user guide prior to connecting any load to the EVM output. If there is uncertainty as to the load specification, please contact a TI field representative. During normal operation, even with the inputs and outputs kept within the specified allowable ranges, some circuit components may have elevated case temperatures. These components include but are not limited to linear regulators, switching transistors, pass transistors, current sense resistors, and heat sinks, which can be identified using the information in the associated documentation. When working with the EVM, please be aware that the EVM may become very warm.
 - 4.3.2 EVMs are intended solely for use by technically qualified, professional electronics experts who are familiar with the dangers and application risks associated with handling electrical mechanical components, systems, and subsystems. User assumes all responsibility and liability for proper and safe handling and use of the EVM by User or its employees, affiliates, contractors or designees. User assumes all responsibility and liability to ensure that any interfaces (electronic and/or mechanical) between the EVM and any human body are designed with suitable isolation and means to safely limit accessible leakage currents to minimize the risk of electrical shock hazard. User assumes all responsibility and liability for any improper or unsafe handling or use of the EVM by User or its employees, affiliates, contractors or designees.
 - 4.4 User assumes all responsibility and liability to determine whether the EVM is subject to any applicable international, federal, state, or local laws and regulations related to User's handling and use of the EVM and, if applicable, User assumes all responsibility and liability for compliance in all respects with such laws and regulations. User assumes all responsibility and liability for proper disposal and recycling of the EVM consistent with all applicable international, federal, state, and local requirements.
 5. *Accuracy of Information:* To the extent TI provides information on the availability and function of EVMs, TI attempts to be as accurate as possible. However, TI does not warrant the accuracy of EVM descriptions, EVM availability or other information on its websites as accurate, complete, reliable, current, or error-free.
 6. *Disclaimers:*
 - 6.1 EXCEPT AS SET FORTH ABOVE, EVMS AND ANY MATERIALS PROVIDED WITH THE EVM (INCLUDING, BUT NOT LIMITED TO, REFERENCE DESIGNS AND THE DESIGN OF THE EVM ITSELF) ARE PROVIDED "AS IS" AND "WITH ALL FAULTS." TI DISCLAIMS ALL OTHER WARRANTIES, EXPRESS OR IMPLIED, REGARDING SUCH ITEMS, INCLUDING BUT NOT LIMITED TO ANY EPIDEMIC FAILURE WARRANTY OR IMPLIED WARRANTIES OF MERCHANTABILITY OR FITNESS FOR A PARTICULAR PURPOSE OR NON-INFRINGEMENT OF ANY THIRD PARTY PATENTS, COPYRIGHTS, TRADE SECRETS OR OTHER INTELLECTUAL PROPERTY RIGHTS.
 - 6.2 EXCEPT FOR THE LIMITED RIGHT TO USE THE EVM SET FORTH HEREIN, NOTHING IN THESE TERMS SHALL BE CONSTRUED AS GRANTING OR CONFERRING ANY RIGHTS BY LICENSE, PATENT, OR ANY OTHER INDUSTRIAL OR INTELLECTUAL PROPERTY RIGHT OF TI, ITS SUPPLIERS/LICENSORS OR ANY OTHER THIRD PARTY, TO USE THE EVM IN ANY FINISHED END-USER OR READY-TO-USE FINAL PRODUCT, OR FOR ANY INVENTION, DISCOVERY OR IMPROVEMENT, REGARDLESS OF WHEN MADE, CONCEIVED OR ACQUIRED.
 7. *USER'S INDEMNITY OBLIGATIONS AND REPRESENTATIONS.* USER WILL DEFEND, INDEMNIFY AND HOLD TI, ITS LICENSORS AND THEIR REPRESENTATIVES HARMLESS FROM AND AGAINST ANY AND ALL CLAIMS, DAMAGES, LOSSES, EXPENSES, COSTS AND LIABILITIES (COLLECTIVELY, "CLAIMS") ARISING OUT OF OR IN CONNECTION WITH ANY HANDLING OR USE OF THE EVM THAT IS NOT IN ACCORDANCE WITH THESE TERMS. THIS OBLIGATION SHALL APPLY WHETHER CLAIMS ARISE UNDER STATUTE, REGULATION, OR THE LAW OF TORT, CONTRACT OR ANY OTHER LEGAL THEORY, AND EVEN IF THE EVM FAILS TO PERFORM AS DESCRIBED OR EXPECTED.

8. *Limitations on Damages and Liability:*

8.1 *General Limitations.* IN NO EVENT SHALL TI BE LIABLE FOR ANY SPECIAL, COLLATERAL, INDIRECT, PUNITIVE, INCIDENTAL, CONSEQUENTIAL, OR EXEMPLARY DAMAGES IN CONNECTION WITH OR ARISING OUT OF THESE TERMS OR THE USE OF THE EVMS , REGARDLESS OF WHETHER TI HAS BEEN ADVISED OF THE POSSIBILITY OF SUCH DAMAGES. EXCLUDED DAMAGES INCLUDE, BUT ARE NOT LIMITED TO, COST OF REMOVAL OR REINSTALLATION, ANCILLARY COSTS TO THE PROCUREMENT OF SUBSTITUTE GOODS OR SERVICES, RETESTING, OUTSIDE COMPUTER TIME, LABOR COSTS, LOSS OF GOODWILL, LOSS OF PROFITS, LOSS OF SAVINGS, LOSS OF USE, LOSS OF DATA, OR BUSINESS INTERRUPTION. NO CLAIM, SUIT OR ACTION SHALL BE BROUGHT AGAINST TI MORE THAN TWELVE (12) MONTHS AFTER THE EVENT THAT GAVE RISE TO THE CAUSE OF ACTION HAS OCCURRED.

8.2 *Specific Limitations.* IN NO EVENT SHALL TI'S AGGREGATE LIABILITY FROM ANY USE OF AN EVM PROVIDED HEREUNDER, INCLUDING FROM ANY WARRANTY, INDEMNITY OR OTHER OBLIGATION ARISING OUT OF OR IN CONNECTION WITH THESE TERMS, , EXCEED THE TOTAL AMOUNT PAID TO TI BY USER FOR THE PARTICULAR EVM(S) AT ISSUE DURING THE PRIOR TWELVE (12) MONTHS WITH RESPECT TO WHICH LOSSES OR DAMAGES ARE CLAIMED. THE EXISTENCE OF MORE THAN ONE CLAIM SHALL NOT ENLARGE OR EXTEND THIS LIMIT.

9. *Return Policy.* Except as otherwise provided, TI does not offer any refunds, returns, or exchanges. Furthermore, no return of EVM(s) will be accepted if the package has been opened and no return of the EVM(s) will be accepted if they are damaged or otherwise not in a resalable condition. If User feels it has been incorrectly charged for the EVM(s) it ordered or that delivery violates the applicable order, User should contact TI. All refunds will be made in full within thirty (30) working days from the return of the components(s), excluding any postage or packaging costs.

10. *Governing Law:* These terms and conditions shall be governed by and interpreted in accordance with the laws of the State of Texas, without reference to conflict-of-laws principles. User agrees that non-exclusive jurisdiction for any dispute arising out of or relating to these terms and conditions lies within courts located in the State of Texas and consents to venue in Dallas County, Texas. Notwithstanding the foregoing, any judgment may be enforced in any United States or foreign court, and TI may seek injunctive relief in any United States or foreign court.

Mailing Address: Texas Instruments, Post Office Box 655303, Dallas, Texas 75265
Copyright © 2023, Texas Instruments Incorporated

IMPORTANT NOTICE AND DISCLAIMER

TI PROVIDES TECHNICAL AND RELIABILITY DATA (INCLUDING DATA SHEETS), DESIGN RESOURCES (INCLUDING REFERENCE DESIGNS), APPLICATION OR OTHER DESIGN ADVICE, WEB TOOLS, SAFETY INFORMATION, AND OTHER RESOURCES "AS IS" AND WITH ALL FAULTS, AND DISCLAIMS ALL WARRANTIES, EXPRESS AND IMPLIED, INCLUDING WITHOUT LIMITATION ANY IMPLIED WARRANTIES OF MERCHANTABILITY, FITNESS FOR A PARTICULAR PURPOSE OR NON-INFRINGEMENT OF THIRD PARTY INTELLECTUAL PROPERTY RIGHTS.

These resources are intended for skilled developers designing with TI products. You are solely responsible for (1) selecting the appropriate TI products for your application, (2) designing, validating and testing your application, and (3) ensuring your application meets applicable standards, and any other safety, security, regulatory or other requirements.

These resources are subject to change without notice. TI grants you permission to use these resources only for development of an application that uses the TI products described in the resource. Other reproduction and display of these resources is prohibited. No license is granted to any other TI intellectual property right or to any third party intellectual property right. TI disclaims responsibility for, and you will fully indemnify TI and its representatives against, any claims, damages, costs, losses, and liabilities arising out of your use of these resources.

TI's products are provided subject to [TI's Terms of Sale](#) or other applicable terms available either on [ti.com](https://www.ti.com) or provided in conjunction with such TI products. TI's provision of these resources does not expand or otherwise alter TI's applicable warranties or warranty disclaimers for TI products.

TI objects to and rejects any additional or different terms you may have proposed.

Mailing Address: Texas Instruments, Post Office Box 655303, Dallas, Texas 75265
Copyright © 2024, Texas Instruments Incorporated