

## **DAC60096 Evaluation Module**

This user's guide describes the characteristics, operation, and use of the DAC60096 evaluation boards (EVMs). This user's guide also discusses the proper setup and configuration of both software and hardware, and reviews various aspects of program operation. A complete circuit description, schematic diagram, and bill of materials (BOM) are also included in this document.

### **Contents**

1	Overview .....	3
	1.1 DAC60096EVM Kit Contents .....	3
	1.2 Related Documentation from Texas Instruments .....	3
2	DAC60096EVM Hardware Setup .....	4
	2.1 Theory of Operation for DAC60096 Hardware .....	4
	2.2 Signal Definitions of J4 (20-Pin Connector) .....	5
	2.3 SDM-USB-DIG Platform Theory of Operation .....	6
3	DAC60096EVM Software Setup .....	7
	3.1 Operating Systems for DAC60096EVM Software .....	7
	3.2 DAC60096EVM Software Installation .....	7
4	DAC60096EVM Hardware Overview .....	8
	4.1 Electrostatic Discharge Warning .....	8
	4.2 Connecting the Hardware .....	9
	4.3 Connecting the USB Cable to the SDM-DIG .....	10
	4.4 DAC60096EVM Power Configurations .....	10
	4.5 SPI Communication Signals and Digital Inputs .....	14
	4.6 External Trigger .....	14
5	DAC60096EVM Software Overview .....	15
	5.1 Starting the DAC60096EVM Software .....	15
	5.2 DAC60096EVM Software Features .....	16
6	DAC60096EVM Documentation .....	20
	6.1 DAC60096EVM Board Schematic .....	20
	6.2 DAC60096EVM PCB Components Layout .....	22
	6.3 DAC60096 Test Board Bill of Materials .....	23

### **List of Figures**

1	DAC60096EVM Hardware Setup .....	4
2	DAC60096 Test Board Block Diagram .....	4
3	SDM-USB-DIG Platform Block Diagram .....	6
4	DAC60096EVM Installer Directory .....	7
5	DAC60096EVM Install Path .....	7
6	Typical Hardware Connections on the DAC60096EVM .....	9
7	Confirmation of SDM-USB-DIG Platform Driver Installation .....	10
8	DAC Output Connection Headers .....	11
9	DAC60096EVM GUI Location .....	15
10	DAC60096EVM GUI – Power On .....	15
11	Low Level Configuration Page .....	16
12	Low Level Configuration Page Available Options .....	16

Microsoft, Windows are registered trademarks of Microsoft Corporation.

13	High Level Configuration Page .....	17
14	DAC Channel Write Order of Operation.....	18
15	Write All DACs Button .....	18
16	Register Control Buttons .....	18
17	Digital Input Buttons.....	19
18	DAC60096EVM Board Schematic .....	20
19	DAC60096EVM Board Schematic .....	21
20	DAC60096EVM PCB Components Layout .....	22

#### List of Tables

1	Contents of DAC60096EVM Kit.....	3
2	Related Documentation .....	3
3	J4 Signal Definition .....	5
4	Default Jumper Settings .....	8
5	DAC60096EVM Power Supply Configuration .....	10
6	DAC60096EVM DAC Signal Connections .....	11
7	SPI Signal Definition .....	14
8	External Trigger.....	14
9	Register Controls .....	19
10	Digital Inputs .....	19
11	DAC60096 Test Board Bill of Materials .....	23

## 1 Overview

This EVM features the DAC60096 device, a very low-power, 96 channel, 12-bit digital-to-analog converter (DAC). The device provides unbuffered bipolar voltage outputs up to  $\pm 10.5$  V. The DAC60096 can be programmed for simultaneous update as well as simultaneous clear. In addition, a versatile external conversion trigger allows each DAC to operate as an amplitude-independent square-wave generator.

### 1.1 DAC60096EVM Kit Contents

**Table 1** details the contents of the EVM kit. Contact the TI Product Information Center nearest you if any component is missing. TI highly recommends to verify that the user has the latest versions of the related software at the TI website, [www.ti.com](http://www.ti.com).

**Table 1. Contents of DAC60096EVM Kit**

Item	Quantity
DAC60096EVM PCB evaluation board	1
SDM-USB-DIG platform PCB	1
USB extender cable	1

### 1.2 Related Documentation from Texas Instruments

The following documents provide information regarding TI's integrated circuits used in the assembly of the DAC60096EVM. This user's guide is available from the TI web site under literature number [SLAU644](#). Any letter appended to the literature number corresponds to the document revision that is current at the time of the writing of this document. Newer revisions may be available from the TI web site at <http://www.ti.com/>, or call the Texas Instruments Literature Response Center at (800) 477-8924 or the Product Information Center at (972) 644-5580. When ordering, identify the document by both title and literature number.

**Table 2. Related Documentation**

Document	Literature Number
DAC60096 Product Data Sheet	<a href="#">SBAS721</a>
SDM-USB-DIG Platform User's Guide	<a href="#">SBOU136</a>

## 2 DAC60096EVM Hardware Setup

This section provides the overall system setup for the EVM. A personal computer (PC) runs software that communicates with the SDM-USB-DIG platform, which generates the optional DVDD power and digital signals used to communicate with the EVM board. Banana plug connectors are included on the EVM board for external power supplies. [Figure 1](#) displays the system setup for the DAC60096EVM.

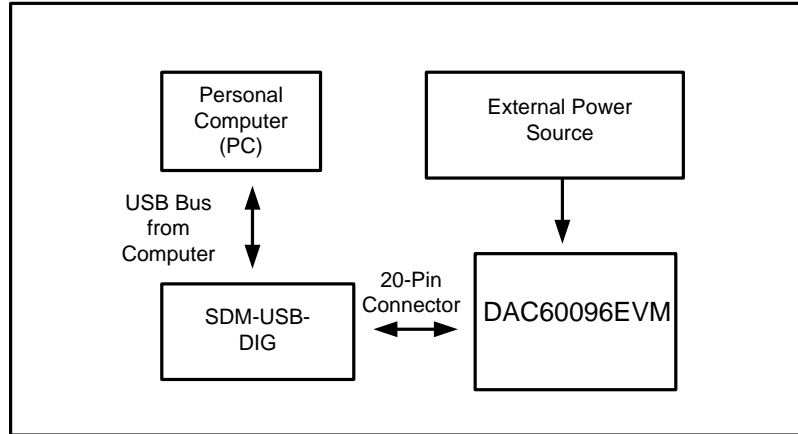


Figure 1. DAC60096EVM Hardware Setup

### 2.1 Theory of Operation for DAC60096 Hardware

A block diagram of the DAC60096EVM test board is displayed in [Figure 2](#). The EVM board provides banana plugs for the supplies, 4 header pins connected to the DAC60096 DAC outputs, external trigger signal connection, optional external reference connection, and SPI input connections.

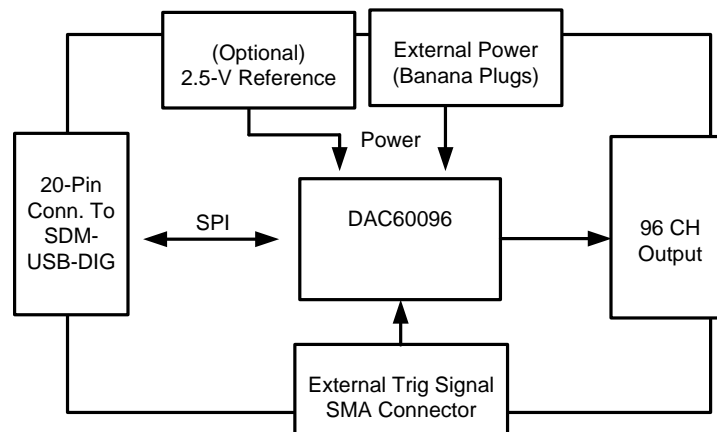


Figure 2. DAC60096 Test Board Block Diagram

## 2.2 Signal Definitions of J4 (20-Pin Connector)

The DAC60096 EVM includes a 20-pin connector used to communicate between the EVM and the SDM-USB-DIG platform. [Table 3](#) shows the pin out of the J4 connector.

**Table 3. J4 Signal Definition**

Pin on J4	Signal	Description
1	SCL	I <sup>2</sup> C Clock Signal (SCL)
2	DIG_GPIO2	GPIO – Control output or measure input
3	DIG_GPIO0	GPIO – Control output or measure input
4	DIG_GPIO3	GPIO – Control output or measure input
5	SDA	I <sup>2</sup> C data signal (SDA)
6	DIG_GPIO4	GPIO – Control output or measure input
7	DIG_GPIO1	GPIO – Control output or measure input
8	DIG_GPIO5	GPIO – Control output or measure input
9	MOSI	SPI data output (MOSI)
10	DIG_GPIO6	GPIO – Control output or measure input
11	VDUT	Switchable DUT power supply: 3.3 V, 5 V, Hi-Z (Disconnected). <b>Note:</b> When VDUT is Hi-Z, all digital I/Os are Hi-Z as well.
12	DIG_GPIO7	GPIO – Control output or measure input
13	SCLK	SPI clock signal (SCLK)
14	DIG_GPIO8	GPIO – Control output or measure input
15	GND	Power return (GND)
16	DIG_GPIO9	GPIO – Control output or measure input
17	CS	SPI chip select signal (/CS)
18	DIG_GPIO10	GPIO – Control output or measure input
19	MISO	SPI data input (MISO)
20	DIG_GPIO11	GPIO – Control output or measure input

### 2.3 SDM-USB-DIG Platform Theory of Operation

The SDM-USB-DIG platform is a general-purpose data acquisition system that is used on several Texas Instruments evaluation modules.

The core component of the platform is the MSP430F5528, an ultra-low power 16-bit MCU. The microcontroller receives information from the host PC and translates it into I<sup>2</sup>C, SPI, or other digital I/O patterns. The connected device, which in this case is the DAC60096 device, connects to the I/O interface of the platform. During digital I/O transactions, the platform obtains information from the DAC60096 device and sends to the host PC for interpretation. Figure 3 illustrates a block diagram of the platform..

To Computer and Power Supplies

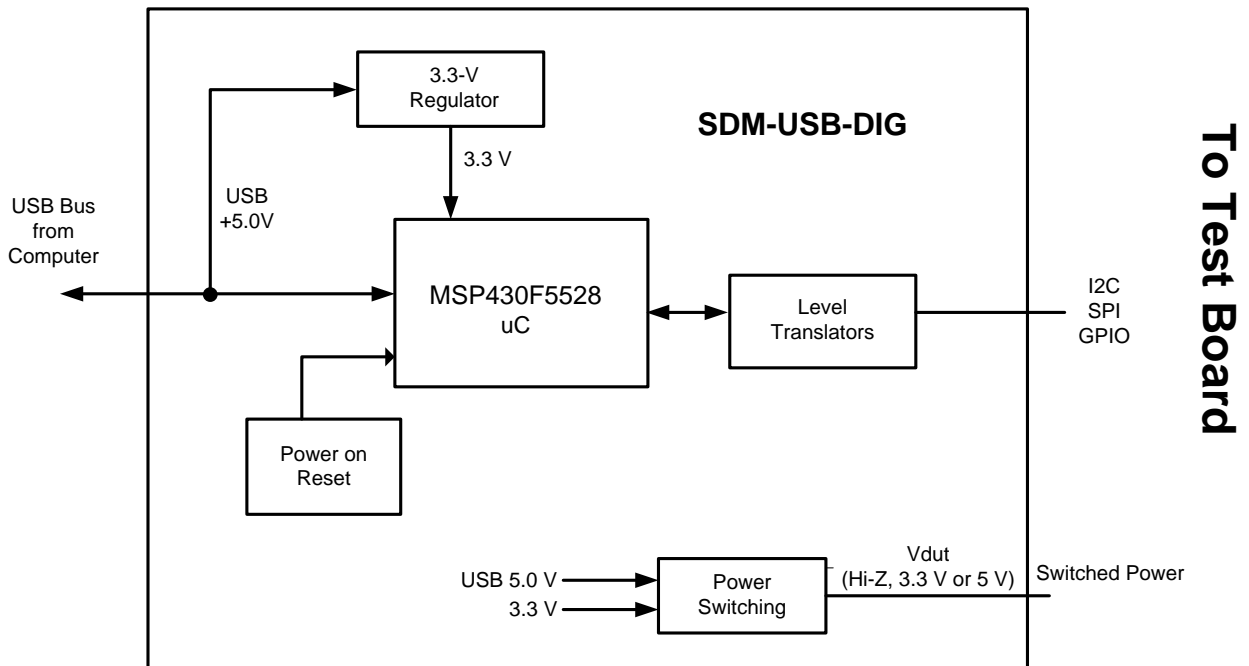


Figure 3. SDM-USB-DIG Platform Block Diagram

### 3 DAC60096EVM Software Setup

This section provides the procedure for EVM software installation.

#### 3.1 Operating Systems for DAC60096EVM Software

The EVM software has been tested on the Microsoft® Windows® XP, and Windows 7 operating systems with the United States and European regional settings. The software should also be compatible with other Windows operating systems.

#### 3.2 DAC60096EVM Software Installation

The software is available through the EVM product folder on the TI website. Once the software is downloaded onto the PC, navigate to the DAC60096EVM folder, and run the Setup\_DAC60096\_EVM.exe file, as shown in Figure 4. When the software is launched, an installation dialog opens, and prompts the user to select an installation directory. If left unchanged, the software location defaults to C:\Program Files (x86)\Texas Instruments\DAC60096 EVM as shown in Figure 5. The software installation automatically copies the required drivers for the SDM-USB-DIG and DAC60096EVM to the PC. After the software is installed, connecting the SDM-USB-DIG to a USB port may launch a driver installation dialog. Choose the 'Install this driver software anyway' option to continue with installation. (**Note:** On XP machines, choose to have the system automatically find the driver/software.)

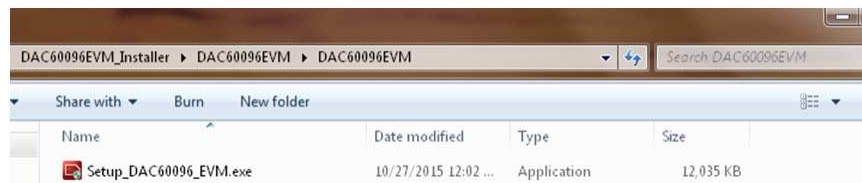


Figure 4. DAC60096EVM Installer Directory

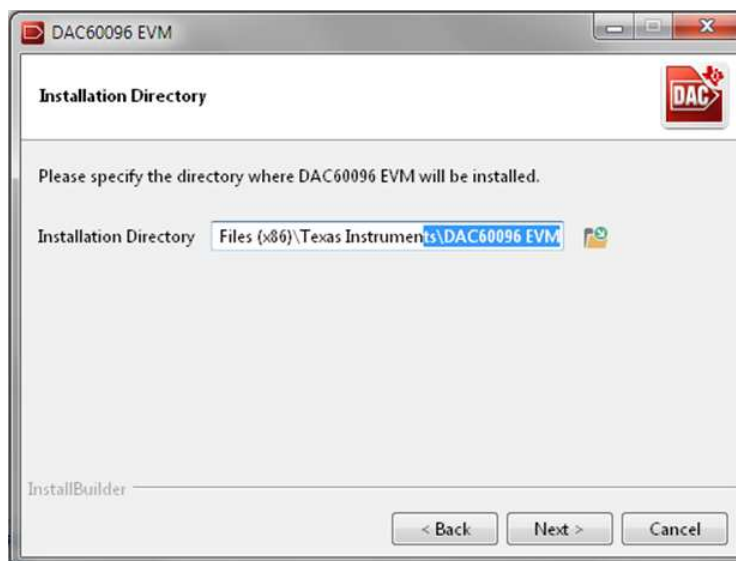


Figure 5. DAC60096EVM Install Path

## 4 DAC60096EVM Hardware Overview

The subsequent sections provide detailed information on the EVM hardware and jumper configuration settings. [Table 4](#) displays the default configurations of all jumper connections on the DAC60096EVM. Connect the USB extender cable from the SDM-USB-DIG to the PC.

**Table 4. Default Jumper Settings**

Jumper	Default Position	Function
JP1	Shunt on 2-3	DVDD selection: <ul style="list-style-type: none"> <li>• 1–2: J5 to DVDD pin</li> <li>• 2–3: SDM-USB-DIG 5V to DVDD pin</li> </ul>
JP2	Shunt on 1-2	2.5-V reference selection: <ul style="list-style-type: none"> <li>• 1–2: connects reference to onboard REF5025</li> <li>• 2–3: connects reference to J9 Connection</li> </ul>

### 4.1 Electrostatic Discharge Warning

Many of the components on the DAC60096EVM are susceptible to damage by electrostatic discharge (ESD). Customers are advised to observe proper ESD handling precautions when unpacking and handling the EVM, including the use of a grounded wrist strap at an approved ESD workstation.



## 4.2 Connecting the Hardware

To connect the SDM-USB-DIG to the EVM board, align and firmly connect the female and male ends of the 20-pin connectors, [Figure 6](#). Verify the connection is snug, as loose connections may cause intermittent operation.

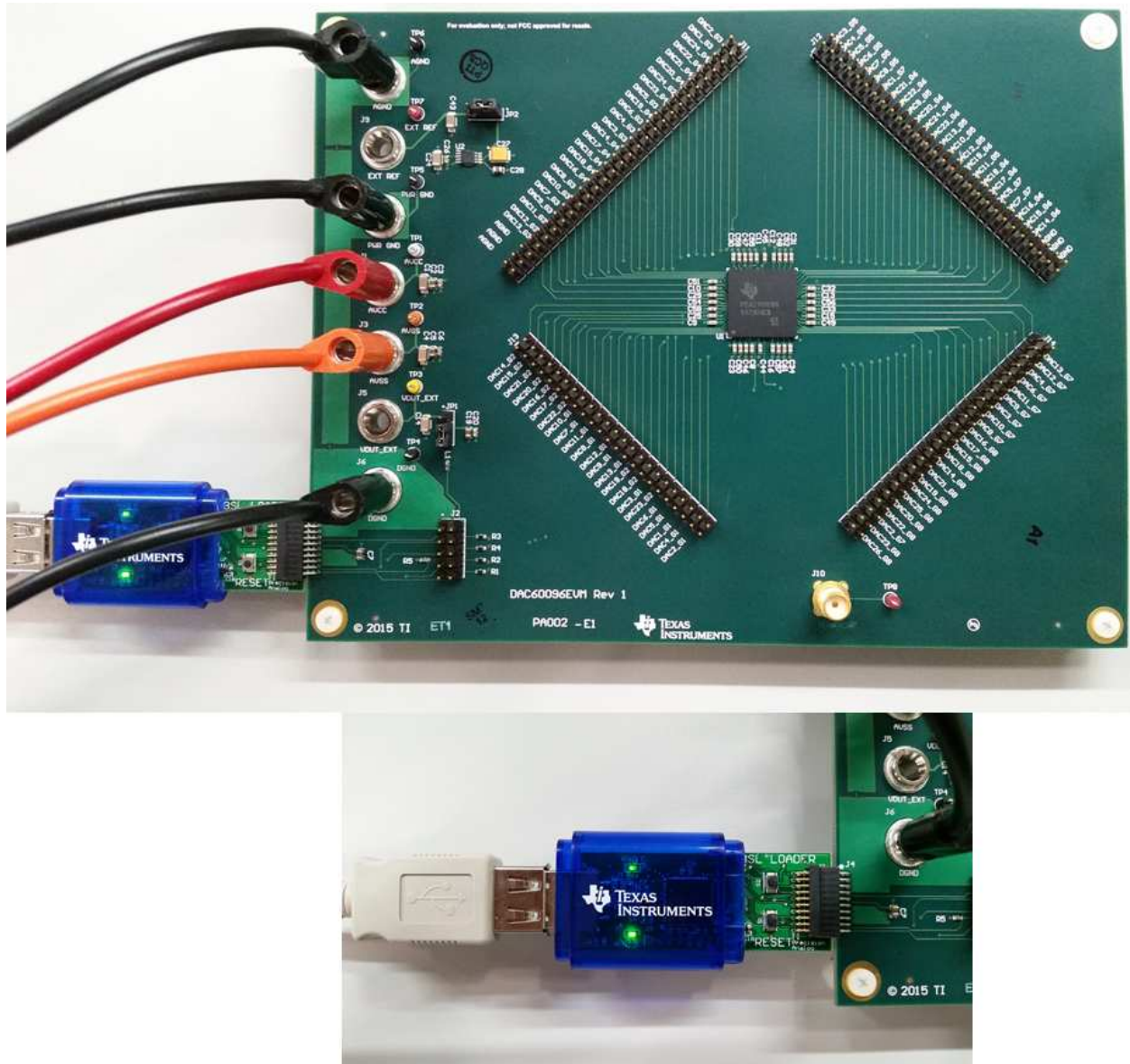


Figure 6. Typical Hardware Connections on the DAC60096EVM

### 4.3 Connecting the USB Cable to the SDM-DIG

Figure 7 shows the typical response when connecting the SDM-USB-DIG platform to a USB port of a PC for the first time. The PC usually responds with a *Found New Hardware, USB Device* pop-up dialog window. The pop-up window then changes to *Found New Hardware, Virtual COM Port (CDC)*. This pop-up indicates that the device is ready for use. The CDC driver is used for communication between the SDM-USB-DIG and PC.

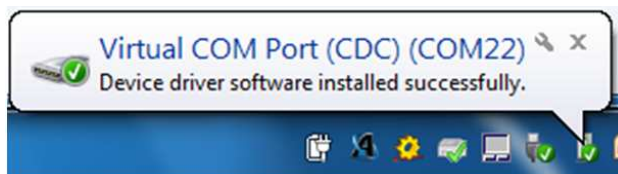


Figure 7. Confirmation of SDM-USB-DIG Platform Driver Installation

### 4.4 DAC60096EVM Power Configurations

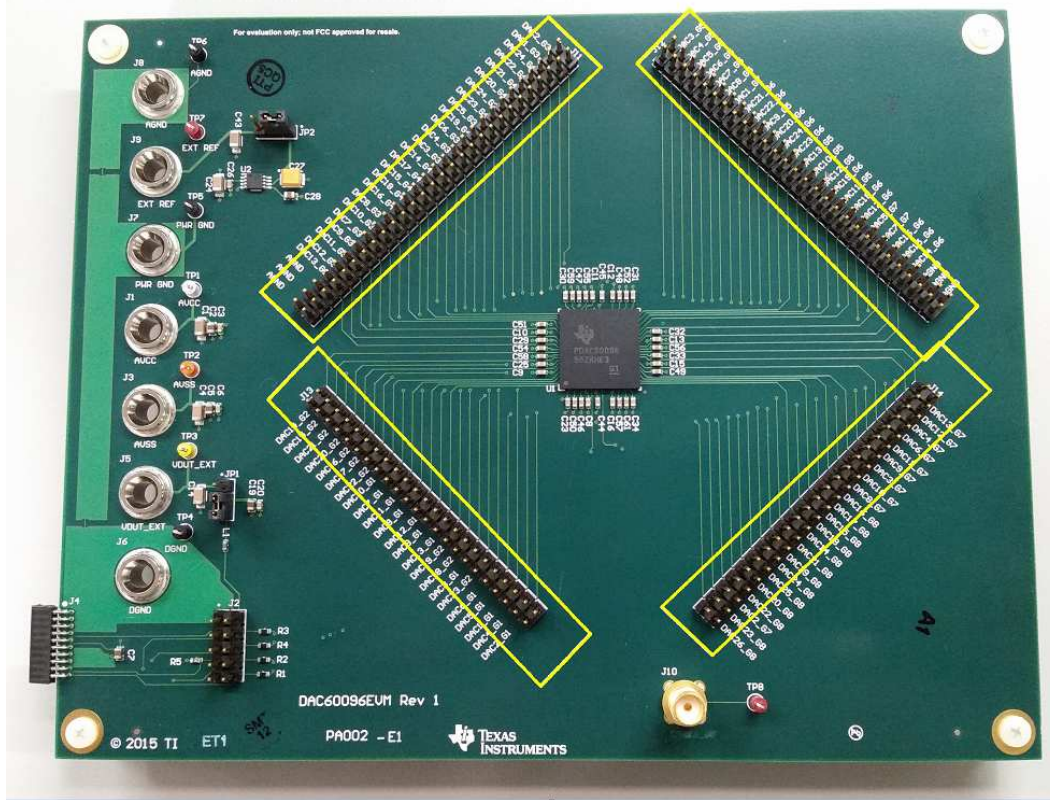
The DAC60096EVM provides electrical connections to the device supply pins. The connectors and optional configurations are shown in Table 5.

Table 5. DAC60096EVM Power Supply Configuration

Connector	Connection Type	Description
J1	Banana plug	External AVCC connection (12 V)
J3	Banana plug	External AVSS connection (-12 V)
J5	Banana plug	External DVDD selection: <ul style="list-style-type: none"> <li>• JP1 set to 1-2 connects J5 to DVDD pin</li> <li>• JP1 set to 2-3 connects SDM-USB-DIG 5V to DVDD pin</li> </ul>
J6	Banana plug	Digital Ground connection
J7	Banana plug	Power Ground connection
J8	Banana plug	REF (reference) GND and analog GND connection
J9	Banana plug	External REF (reference) connection: <ul style="list-style-type: none"> <li>• JP2 set to 1-2 connects reference to onboard REF5025</li> <li>• JP2 set to 2-3 connects reference to J9 Connection</li> </ul>

DVDD is supplied by the SDM-USB-DIG by default. If a different source is required, it is possible to separate the SDM-USB-DIG and DVDD by setting the jumper JP1 to 1-2. An external supply can then connect to J5 to power DVDD.

The DAC60096EVM provides access to all DAC outputs through connection headers J11, J12, J13, and J14 as shown in [Figure 8](#), and listed in [Table 6](#).



**Figure 8. DAC Output Connection Headers**

**Table 6. DAC60096EVM DAC Signal Connections**

Name	Connector	Description
DAC2_G3	J11-2	Un-buffered DAC output voltage
DAC1_G3	J11-4	Un-buffered DAC output voltage
DAC24_G4	J11-6	Un-buffered DAC output voltage
DAC22_G4	J11-8	Un-buffered DAC output voltage
DAC21_G4	J11-10	Un-buffered DAC output voltage
DAC20_G4	J11-12	Un-buffered DAC output voltage
DAC24_G2	J11-14	Un-buffered DAC output voltage
DAC23_G4	J11-16	Un-buffered DAC output voltage
DAC5_G3	J1-18	Un-buffered DAC output voltage
DAC19_G4	J11-20	Un-buffered DAC output voltage
DAC6_G3	J11-22	Un-buffered DAC output voltage
DAC4_G3	J11-24	Un-buffered DAC output voltage
DAC3_G3	J11-26	Un-buffered DAC output voltage
DAC14_G4	J11-28	Un-buffered DAC output voltage
DAC17_G4	J11-30	Un-buffered DAC output voltage
DAC15_G4	J11-32	Un-buffered DAC output voltage
DAC18_G4	J11-34	Un-buffered DAC output voltage
DAC16_G4	J11-36	Un-buffered DAC output voltage
DAC8_G3	J11-38	Un-buffered DAC output voltage

**Table 6. DAC60096EVM DAC Signal Connections (continued)**

Name	Connector	Description
DAC10_G3	J11-40	Un-buffered DAC output voltage
DAC7_G3	J11-42	Un-buffered DAC output voltage
DAC9_G3	J11-44	Un-buffered DAC output voltage
DAC11_G3	J11-46	Un-buffered DAC output voltage
DAC12_G3	J11-48	Un-buffered DAC output voltage
DAC13_G3	J11-50	Un-buffered DAC output voltage
DAC3_G5	J12-1	Un-buffered DAC output voltage
DAC4_G5	J12-3	Un-buffered DAC output voltage
DAC5_G5	J12-5	Un-buffered DAC output voltage
DAC6_G5	J12-7	Un-buffered DAC output voltage
DAC7_G5	J12-9	Un-buffered DAC output voltage
DAC8_G5	J12-11	Un-buffered DAC output voltage
DAC1_G7	J12-13	Un-buffered DAC output voltage
DAC21_G6	J12-15	Un-buffered DAC output voltage
DAC22_G6	J12-17	Un-buffered DAC output voltage
DAC9_G5	J12-19	Un-buffered DAC output voltage
DAC20_G6	J12-21	Un-buffered DAC output voltage
DAC24_G6	J12-23	Un-buffered DAC output voltage
DAC23_G6	J12-25	Un-buffered DAC output voltage
DAC13_G5	J12-27	Un-buffered DAC output voltage
DAC10_G5	J12-29	Un-buffered DAC output voltage
DAC12_G5	J12-31	Un-buffered DAC output voltage
DAC19_G6	J12-33	Un-buffered DAC output voltage
DAC11_G5	J12-35	Un-buffered DAC output voltage
DAC18_G6	J12-37	Un-buffered DAC output voltage
DAC17_G6	J12-39	Un-buffered DAC output voltage
DAC5_G7	J12-41	Un-buffered DAC output voltage
DAC7_G7	J12-43	Un-buffered DAC output voltage
DAC16_G6	J12-45	Un-buffered DAC output voltage
DAC15_G6	J12-47	Un-buffered DAC output voltage
DAC14_G6	J12-49	Un-buffered DAC output voltage
DAC14_G2	J13-2	Un-buffered DAC output voltage
DAC15_G2	J13-4	Un-buffered DAC output voltage
DAC21_G2	J13-6	Un-buffered DAC output voltage
DAC20_G2	J13-8	Un-buffered DAC output voltage
DAC16_G2	J13-10	Un-buffered DAC output voltage
DAC17_G2	J13-12	Un-buffered DAC output voltage
DAC22_G2	J13-14	Un-buffered DAC output voltage
DAC10_G1	J13-16	Un-buffered DAC output voltage
DAC7_G1	J13-18	Un-buffered DAC output voltage
DAC11_G1	J13-20	Un-buffered DAC output voltage
DAC8_G1	J13-22	Un-buffered DAC output voltage
DAC12_G1	J13-24	Un-buffered DAC output voltage
DAC9_G1	J13-26	Un-buffered DAC output voltage
DAC13_G1	J13-28	Un-buffered DAC output voltage
DAC19_G2	J13-30	Un-buffered DAC output voltage
DAC18_G2	J13-32	Un-buffered DAC output voltage

**Table 6. DAC60096EVM DAC Signal Connections (continued)**

<b>Name</b>	<b>Connector</b>	<b>Description</b>
DAC3_G1	J13-34	Un-buffered DAC output voltage
DAC23_G2	J13-36	Un-buffered DAC output voltage
DAC6_G1	J13-38	Un-buffered DAC output voltage
DAC5_G1	J13-40	Un-buffered DAC output voltage
DAC1_G1	J13-42	Un-buffered DAC output voltage
DAC4_G1	J13-44	Un-buffered DAC output voltage
DAC2_G1	J13-46	Un-buffered DAC output voltage
DAC13_G7	J14-1	Un-buffered DAC output voltage
DAC12_G7	J14-3	Un-buffered DAC output voltage
DAC4_G7	J14-5	Un-buffered DAC output voltage
DAC6_G7	J14-7	Un-buffered DAC output voltage
DAC11_G7	J14-9	Un-buffered DAC output voltage
DAC9_G7	J14-11	Un-buffered DAC output voltage
DAC3_G7	J14-13	Un-buffered DAC output voltage
DAC10_G7	J14-15	Un-buffered DAC output voltage
DAC8_G7	J14-17	Un-buffered DAC output voltage
DAC16_G8	J14-19	Un-buffered DAC output voltage
DAC17_G8	J14-21	Un-buffered DAC output voltage
DAC15_G8	J14-23	Un-buffered DAC output voltage
DAC18_G8	J14-25	Un-buffered DAC output voltage
DAC14_G8	J14-27	Un-buffered DAC output voltage
DAC21_G8	J14-29	Un-buffered DAC output voltage
DAC19_G8	J14-31	Un-buffered DAC output voltage
DAC24_G8	J14-33	Un-buffered DAC output voltage
DAC25_G8	J14-35	Un-buffered DAC output voltage
DAC20_G8	J14-37	Un-buffered DAC output voltage
DAC22_G8	J14-39	Un-buffered DAC output voltage
DAC2_G7	J14-41	Un-buffered DAC output voltage
DAC23_G8	J14-43	Un-buffered DAC output voltage
DAC26_G8	J14-45	Un-buffered DAC output voltage

#### 4.5 SPI Communication Signals and Digital Inputs

The SPI signals are located on the J6 header and are described in [Table 7](#), along with the digital input signals of the DAC60096 device.

**Table 7. SPI Signal Definition**

Name	Connector	Description
SCLK	J2-5	Serial interface clock
SDI	J2-3	Serial interface data input
SDO	J2-7	Serial interface data output
/CS	J2-8	Active low serial data enable
/CLEAR	J2-6	Asynchronous clear input
/RESET	J2-10	Reset input, active low
STATS	J2-9	DAC output status indicator
/LDAC	J2-4	Synchronous DAC load control input

#### 4.6 External Trigger

The DAC60096 device also incorporates a trigger input signal. This signal enables all DAC outputs to toggle between the two DAC data registers associated with each DAC. This functionality enables the device to operate as a square-wave generator. The DAC registers are prepared for square-wave operation on a TRIGG rising edge and the outputs are toggled on each following TRIGG falling edge.

**Table 8. External Trigger**

Name	Connector	Description
Trigger	J10	Synchronous DAC load control input

## 5 DAC60096EVM Software Overview

This section discusses how to use the DAC60096EVM software.

### 5.1 Starting the DAC60096EVM Software

Once the hardware connections are established and jumper settings configured, launch the software located in the Texas Instruments folder of the *Start* → *All Programs* menu, and select the DAC60096 EVM icon (see [Figure 9](#)).



Figure 9. DAC60096EVM GUI Location

If the SDM-USB-DIG is properly connected to the DAC60096EVM, the GUI should automatically power the SDM-USB-DIG and display *HARDWARE CONNECTED* on the lower left of the GUI, as seen in [Figure 10](#).



Figure 10. DAC60096EVM GUI – Power On

If the SDM-USB-DIG has a faulty connection, or is not connected at all, the GUI will launch in *DEMO* mode. If this text appears while the SDM-USB-DIG device is connected, then unplug the SDM-USB-DIG and close the GUI. Reconnect the SDM-USB-DIG, and ensure that the connectors are correctly aligned. After this, verify the USB extender cable is properly connected to both the SDM-USB-DIG and PC, and re-launch the GUI. This issue can also occur if the CDC driver is installed incorrectly, and so the DAC60096EVM software may need to be reinstalled.

## 5.2 DAC60096EVM Software Features

The following subsections describe the functionality of each page of the DAC60096EVM GUI.

### 5.2.1 DAC60096EVM Low Level Configuration Page

The DAC60096EVM features a *Register Map* page that allows access to low-level communication by directly writing to and reading from the DAC60096’s registers. Selecting a register on the *Register Map* list presents a description of the values in that register, and also displays information such as the register’s address, default value, size, and current value. The register values can be modified by either writing directly to the value column or selecting the bit individually. This is shown in [Figure 11](#).

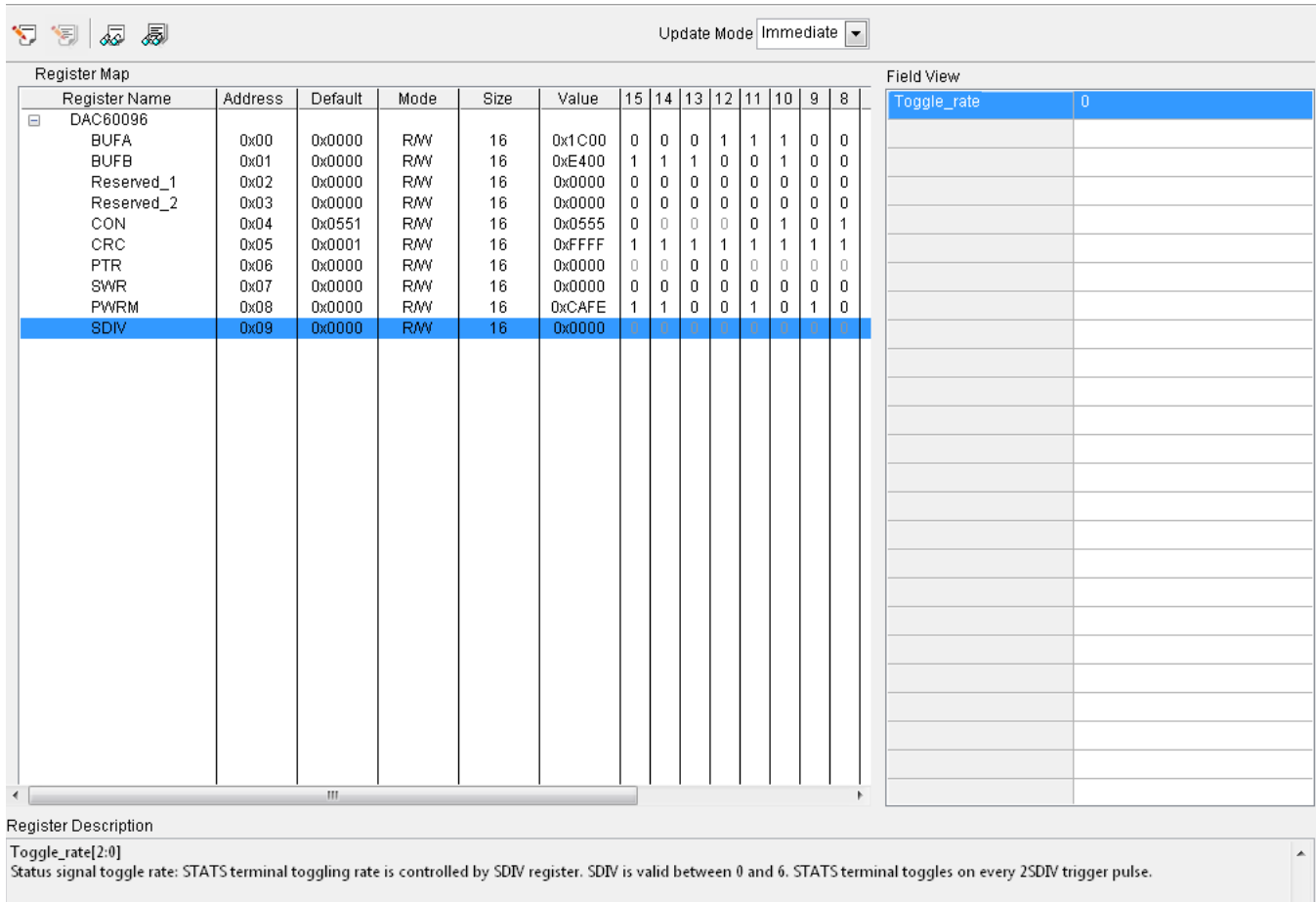


Figure 11. Low Level Configuration Page

The values of the register map can also be saved by pressing the *Save Configuration* button under the File menu option. Additionally, the configuration files can be accessed through the *Load Configuration* button.

Other options selectable by the user are the *Update Mode*, *Write Selected* (red box), *Read Selected* (orange box), *Write Modified* (gray box), and *Read All* (yellow box) buttons. All buttons are displayed in [Figure 12](#).



Figure 12. Low Level Configuration Page Available Options



If *Update Mode* is selected to “Immediate”, all changes to register values update immediately, while “Deferred” allows the user to modify the value of a register without taking effect until the *Write Selected*, or *Write Modified* button is pressed.

The *Read Selected* button allows individual register reads, while the *Read All* button reads the status of all registers located in the register map.

### 5.2.2 DAC60096EVM High Level Configuration Page

The *High Level Configuration* page provides an interface to observe and control the different data registers, modes, and configurations available for the DAC60096 device. [Figure 13](#) displays this page.

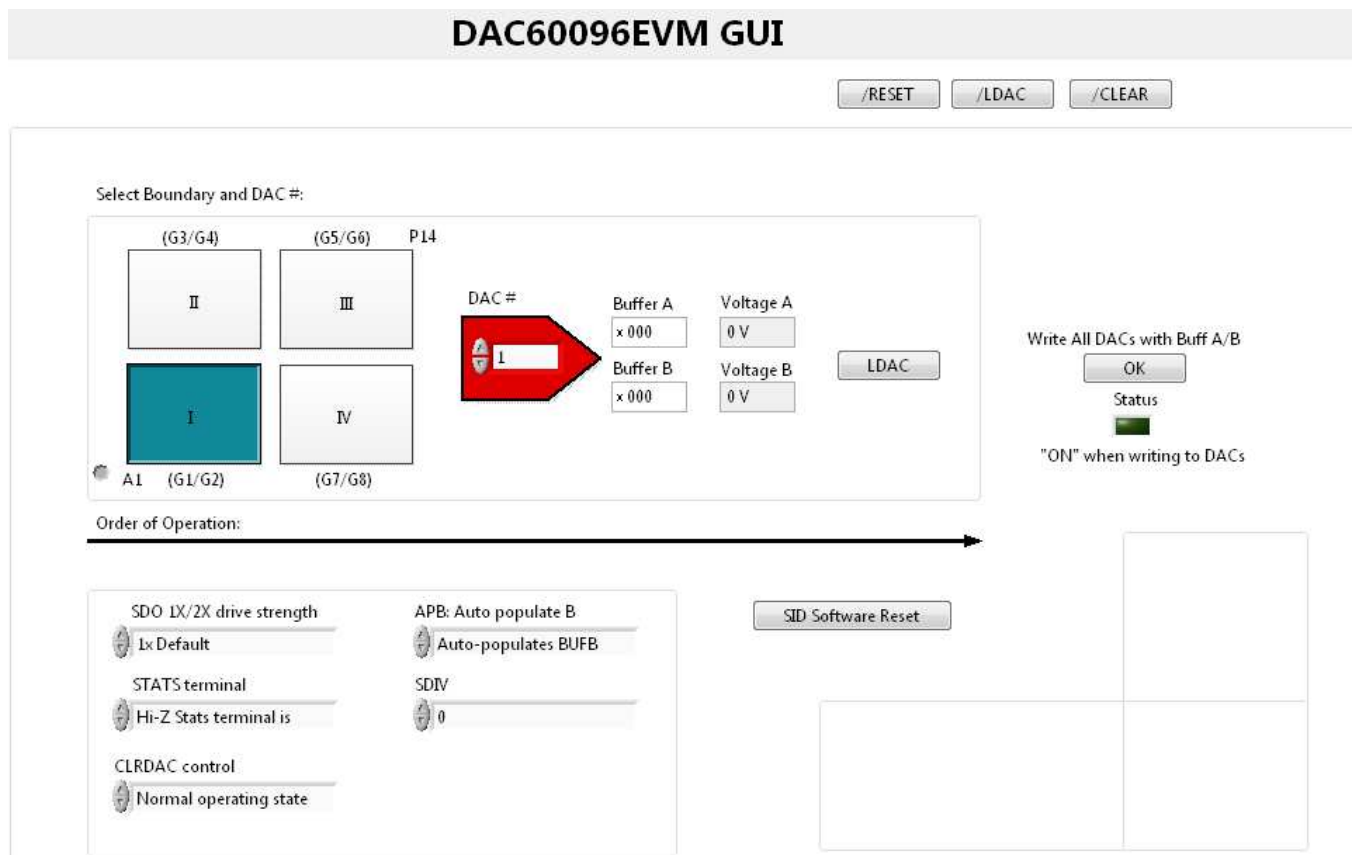
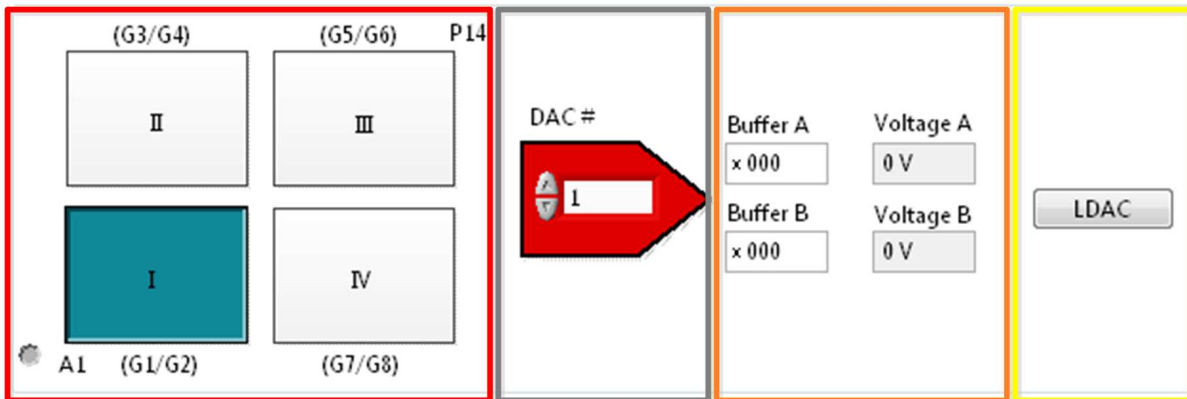


Figure 13. High Level Configuration Page

To write to a DAC channel of the device, the GUI is designed with 4 interactive inputs that are highlighted in [Figure 14](#). The first four buttons, displayed within the red box, can be pressed to select any of the 4 quadrants of the DAC60096 device. Once the quadrant is chosen, the appropriate DAC channel is input in the *DAC Pointer* field, which is displayed in the gray box. The orange box displays the digital code inputs, Buffer A and Buffer B. Once an acceptable 12-bit code is written into the fields, the GUI updates the internal Buffer Registers and also provides a numeric display of the code represented as a voltage. Pressing the *LDAC* button issues a LDAC trigger at /CS rising edge, which enables the data to latch to the DAC Active Registers and output the programmed voltage.

Select Boundary and DAC #:



**Figure 14. DAC Channel Write Order of Operation**

An option to update all DAC Registers is provided with the “Write All DACs with Buff A/B” button. As the name suggests, this will write to all the DAC registers of the DAC60096 device, and issue the LDAC triggers for all quadrants. The *Status LED* keeps track of the status, once the GUI starts writing to the channels the LED turns ON and remains ON until all channels are updated.

Write All DACs with Buff A/B

OK

Status



"ON" when writing to DACs

**Figure 15. Write All DACs Button**

The remaining controls allow the user to adjust the register values for DAC60096 device settings. These controls are shown in [Figure 16](#), and explained in [Table 9](#).



**Figure 16. Register Control Buttons**

**Table 9. Register Controls**

Name	Register, Bit	Description
SDO 1x/2x	0x4, 11:10	'01': 1X (default) '10': 2X
STATS terminal	0x4, 9:8	'01': Hi-Z. STATS terminal is disabled '10': CMOS Push-pull output. Should only be enabled for sub-system 1.
PHAINV	0x4, 7:6	'01': SCLK NegEdge '10': SCLK PosEdge
CLRDAC	0x4, 5:4	'01': Normal operating state '10': Clear DAC state
APB	0x4, 1:0	'01': auto-populates BUFB with the negative value of BUFA after each BUFA register write. Writing to BUFB has no auto-populate effect. '10': disable auto populate B feature.
SDIV	0x9, 2:0	STATS terminal toggling rate is controlled by SDIV register. SDIV is valid between 0 and 6. STATS terminal toggles on every 2SDIV trigger pulse. The SDIV setting should only be updated after a device reset and before configuring the DAC outputs.

The High Level Configuration Page also provides a button interface to control different digital inputs, as shown in [Figure 17](#). The digital inputs include the /RESET, /LDAC, and /CLEAR signals. Pressing any of the buttons creates an active low signal that asserts the functionality tied to the signal. The input signal remains low until the button is pressed a second time, bringing it to a high state.

**Figure 17. Digital Input Buttons**

A brief description of the digital inputs tied to the button interface is provided in [Table 10](#).

**Table 10. Digital Inputs**

Digital Input	Description
/RESET	Reset input. Logic low on this terminal causes the device to perform a hardware reset.
/LDAC	Synchronous DAC load control input. When /LDAC is low, the DAC outputs are updated immediately after a register write. If left high during DAC register updates, a falling edge on /LDAC causes all DAC outputs to update simultaneously.
/CLEAR	Asynchronous clear input. When /CLR is activated, all DACs are loaded with code 000h. When /CLR is cleared, all DACs return to normal operation.

## 6 DAC60096EVM Documentation

This section contains the complete bill of materials and schematic diagram for the DAC60096EVM. Documentation information for the SDM-USB-DIG Platform can be found in the SDM-USB-DIG Platform User's Guide, [SBOU136](#), available at the TI web site at [www.ti.com](#).

### 6.1 DAC60096EVM Board Schematic

Figure 18 and Figure 19 illustrate the DAC60096EVM board schematics.

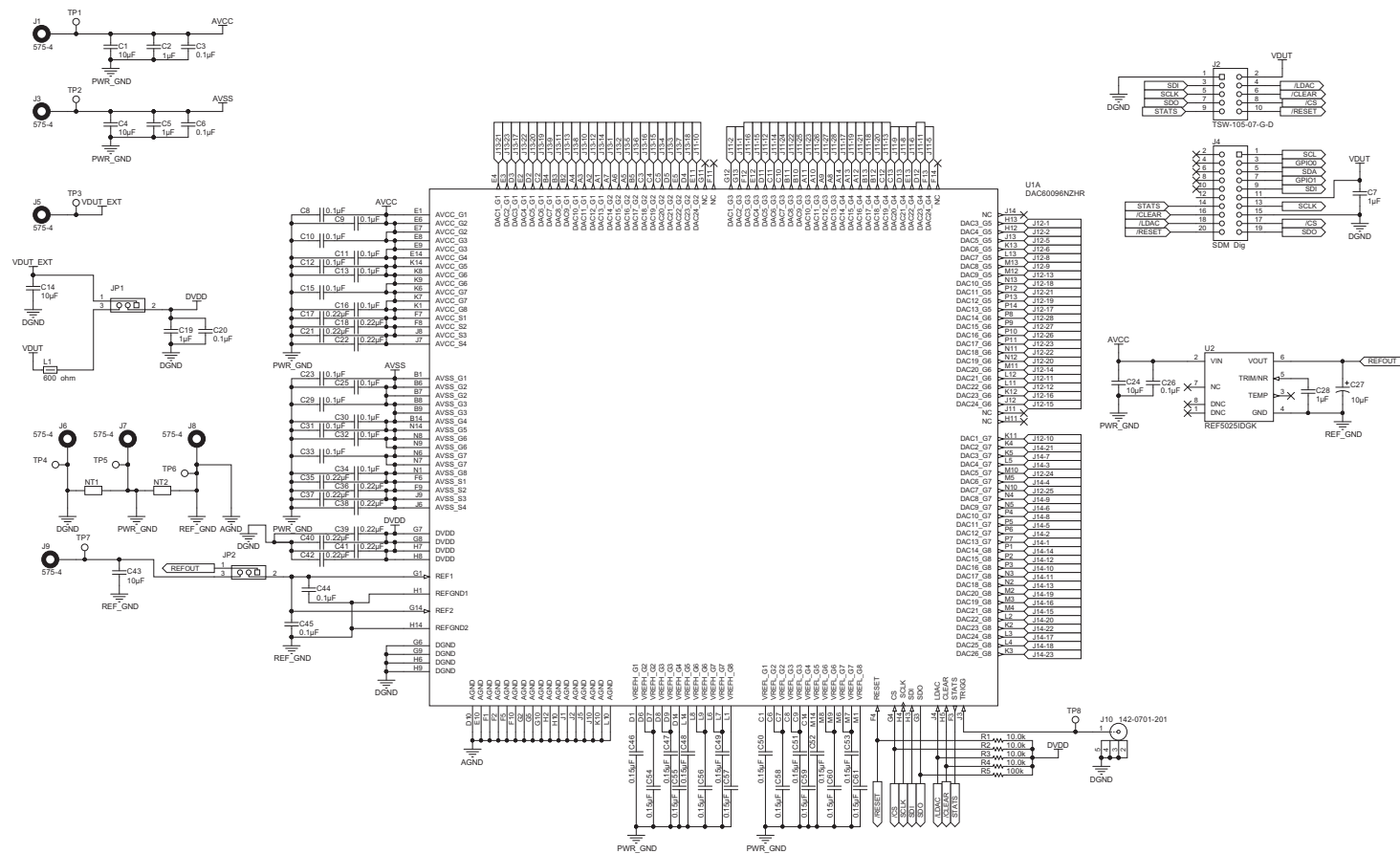


Figure 18. DAC60096EVM Board Schematic

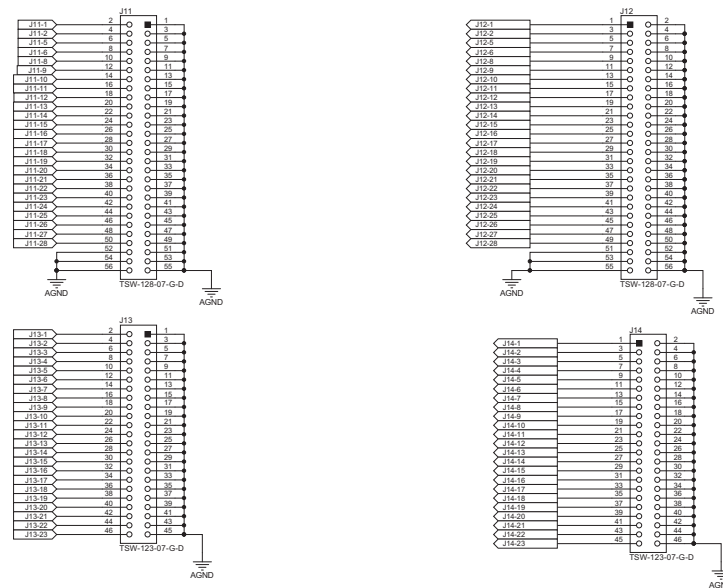


Figure 19. DAC60096EVM Board Schematic

## 6.2 DAC60096EVM PCB Components Layout

Figure 20 shows the layout of the components for the DAC60096EVM board.

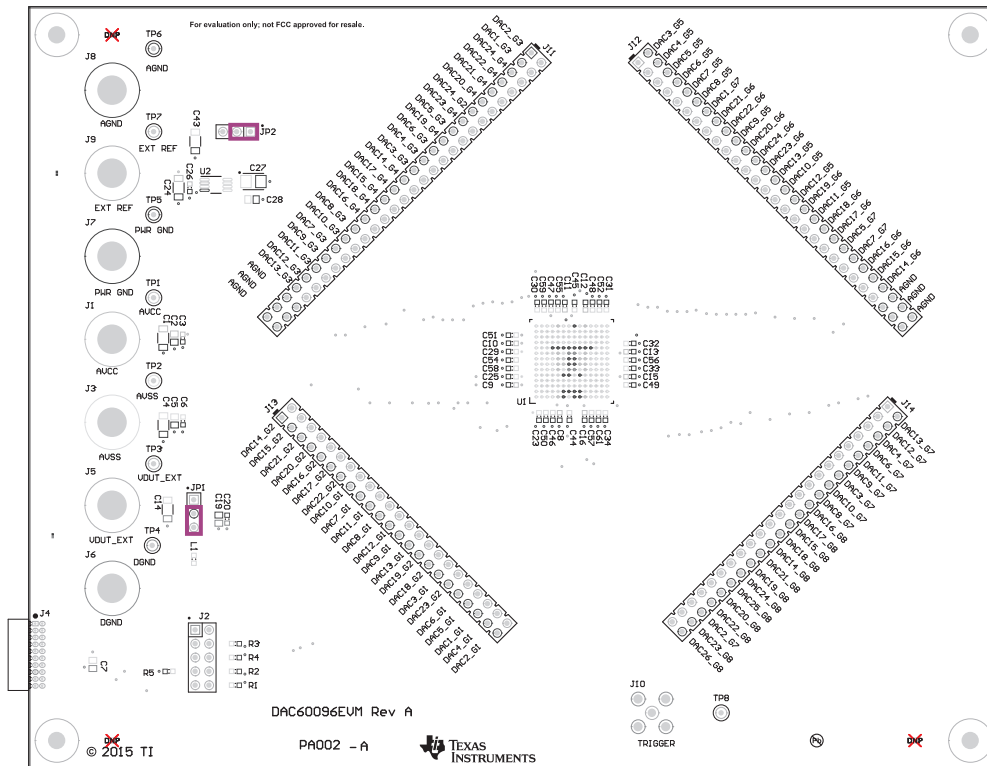


Figure 20. DAC60096EVM PCB Components Layout

### 6.3 DAC60096 Test Board Bill of Materials

Table 11 lists the DAC60096 test board bill of materials.

**Table 11. DAC60096 Test Board Bill of Materials**

Qty	Designator	Description	Part Number	Manufacturer
1	IPCB1	Printed Circuit Board	PA002	Any
5	C1, C4, C14, C24, C43	CAP, CERM, 10 $\mu$ F, 50 V, +/- 10%, X5R, 1206_190	GRM31CR61H106KA12L	Murata
5	C2, C5, C7, C19, C28	CAP, CERM, 1 $\mu$ F, 50 V, +/- 10%, X7R, 0805	GRM21BR71H105KA12L	Murata
22	C3, C6, C8, C9, C10, C11, C12, C13, C15, C16, C20, C23, C25, C26, C29, C30, C31, C32, C33, C34, C44, C45	CAP, CERM, 0.1 $\mu$ F, 50 V, +/- 10%, X7R, 0603	06035C104KAT2A	AVX
12	C17, C18, C21, C22, C35, C36, C37, C38, C39, C40, C41, C42	CAP, CERM, 0.22 $\mu$ F, 16 V, +/- 10%, X7R, 0402	C1005X7R1C224K050BC	TDK
1	C27	CAP, TA, 10 $\mu$ F, 16 V, +/- 10%, 0.5 ohm, SMD	TPSB106K016R0500	AVX
16	C46, C47, C48, C49, C50, C51, C52, C53, C54, C55, C56, C57, C58, C59, C60, C61	CAP, CERM, 0.15 $\mu$ F, 25 V, +/- 10%, X7R, 0603	C1608X7R1E154K080AA	TDK
4	H1, H2, H3, H4	Machine Screw, Round, #4-40 x 1/4, Nylon, Philips panhead	NY PMS 440 0025 PH	B&F Fastener Supply
4	H5, H6, H7, H8	Standoff, Hex, 0.5"L #4-40 Nylon	1902C	Keystone
7	J1, J3, J5, J6, J7, J8, J9	Standard Banana Jack, Uninsulated, 5.5mm	575-4	Keystone
1	J2	Header, 100mil, 5x2, Gold, TH	TSW-105-07-G-D	Samtec
1	J4	Receptacle, 50mil 10x2, R/A, TH	853-43-020-20-001000	Mill-Max
1	J10	Connector, TH, SMA	142-0701-201	Emerson Network Power
2	J11, J12	Header, 100mil, 28x2, Gold, TH	TSW-128-07-G-D	Samtec
2	J13, J14	Header, 2.54 mm, 23x2, Gold, TH	TSW-123-07-G-D	Samtec
2	JP1, JP2	Header, 100mil, 3x1, Gold, TH	TSW-103-07-G-S	Samtec
1	L1	Ferrite Bead, 600 ohm @ 100 MHz, 0.2 A, 0603	BLM18HG601SN1D	Murata
4	R1, R2, R3, R4	RES, 10.0 k, 1%, 0.1 W, 0603	RC0603FR-0710KL	Yageo America
1	R5	RES, 100 k, 1%, 0.1 W, 0603	RC0603FR-07100KL	Yageo America
2	SH-JP1, SH-JP2	Shunt, 100mil, Gold plated, Black	969102-0000-DA	3M
1	TP1	Test Point, Miniature, White, TH	5002	Keystone
1	TP2	Test Point, Miniature, Orange, TH	5003	Keystone
1	TP3	Test Point, Miniature, Yellow, TH	5004	Keystone
3	TP4, TP5, TP6	Test Point, Miniature, Black, TH	5001	Keystone
2	TP7, TP8	Test Point, Miniature, Red, TH	5000	Keystone
1	U1	96-Channel, 12-Bit Low-Power, Serial Input, Unbuffered, High-Voltage Output DAC with External Conversion Trigger, NZH0196A	DAC60096NZHR	Texas Instruments
1	U2	Low-Noise, Very Low Drift, Precision VOLTAGE REFERENCE, DKG0008A	REF5025IDGK	Texas Instruments

## STANDARD TERMS AND CONDITIONS FOR EVALUATION MODULES

1. *Delivery:* TI delivers TI evaluation boards, kits, or modules, including any accompanying demonstration software, components, or documentation (collectively, an "EVM" or "EVMs") to the User ("User") in accordance with the terms and conditions set forth herein. Acceptance of the EVM is expressly subject to the following terms and conditions.
  - 1.1 EVMs are intended solely for product or software developers for use in a research and development setting to facilitate feasibility evaluation, experimentation, or scientific analysis of TI semiconductor products. EVMs have no direct function and are not finished products. EVMs shall not be directly or indirectly assembled as a part or subassembly in any finished product. For clarification, any software or software tools provided with the EVM ("Software") shall not be subject to the terms and conditions set forth herein but rather shall be subject to the applicable terms and conditions that accompany such Software
  - 1.2 EVMs are not intended for consumer or household use. EVMs may not be sold, sublicensed, leased, rented, loaned, assigned, or otherwise distributed for commercial purposes by Users, in whole or in part, or used in any finished product or production system.
2. *Limited Warranty and Related Remedies/Disclaimers:*
  - 2.1 These terms and conditions do not apply to Software. The warranty, if any, for Software is covered in the applicable Software License Agreement.
  - 2.2 TI warrants that the TI EVM will conform to TI's published specifications for ninety (90) days after the date TI delivers such EVM to User. Notwithstanding the foregoing, TI shall not be liable for any defects that are caused by neglect, misuse or mistreatment by an entity other than TI, including improper installation or testing, or for any EVMs that have been altered or modified in any way by an entity other than TI. Moreover, TI shall not be liable for any defects that result from User's design, specifications or instructions for such EVMs. Testing and other quality control techniques are used to the extent TI deems necessary or as mandated by government requirements. TI does not test all parameters of each EVM.
  - 2.3 If any EVM fails to conform to the warranty set forth above, TI's sole liability shall be at its option to repair or replace such EVM, or credit User's account for such EVM. TI's liability under this warranty shall be limited to EVMs that are returned during the warranty period to the address designated by TI and that are determined by TI not to conform to such warranty. If TI elects to repair or replace such EVM, TI shall have a reasonable time to repair such EVM or provide replacements. Repaired EVMs shall be warranted for the remainder of the original warranty period. Replaced EVMs shall be warranted for a new full ninety (90) day warranty period.
3. *Regulatory Notices:*
  - 3.1 *United States*
    - 3.1.1 *Notice applicable to EVMs not FCC-Approved:*

This kit is designed to allow product developers to evaluate electronic components, circuitry, or software associated with the kit to determine whether to incorporate such items in a finished product and software developers to write software applications for use with the end product. This kit is not a finished product and when assembled may not be resold or otherwise marketed unless all required FCC equipment authorizations are first obtained. Operation is subject to the condition that this product not cause harmful interference to licensed radio stations and that this product accept harmful interference. Unless the assembled kit is designed to operate under part 15, part 18 or part 95 of this chapter, the operator of the kit must operate under the authority of an FCC license holder or must secure an experimental authorization under part 5 of this chapter.
    - 3.1.2 *For EVMs annotated as FCC – FEDERAL COMMUNICATIONS COMMISSION Part 15 Compliant:*

### CAUTION

This device complies with part 15 of the FCC Rules. Operation is subject to the following two conditions: (1) This device may not cause harmful interference, and (2) this device must accept any interference received, including interference that may cause undesired operation.

Changes or modifications not expressly approved by the party responsible for compliance could void the user's authority to operate the equipment.

### FCC Interference Statement for Class A EVM devices

*NOTE: This equipment has been tested and found to comply with the limits for a Class A digital device, pursuant to part 15 of the FCC Rules. These limits are designed to provide reasonable protection against harmful interference when the equipment is operated in a commercial environment. This equipment generates, uses, and can radiate radio frequency energy and, if not installed and used in accordance with the instruction manual, may cause harmful interference to radio communications. Operation of this equipment in a residential area is likely to cause harmful interference in which case the user will be required to correct the interference at his own expense.*



## **FCC Interference Statement for Class B EVM devices**

*NOTE: This equipment has been tested and found to comply with the limits for a Class B digital device, pursuant to part 15 of the FCC Rules. These limits are designed to provide reasonable protection against harmful interference in a residential installation. This equipment generates, uses and can radiate radio frequency energy and, if not installed and used in accordance with the instructions, may cause harmful interference to radio communications. However, there is no guarantee that interference will not occur in a particular installation. If this equipment does cause harmful interference to radio or television reception, which can be determined by turning the equipment off and on, the user is encouraged to try to correct the interference by one or more of the following measures:*

- Reorient or relocate the receiving antenna.
- Increase the separation between the equipment and receiver.
- Connect the equipment into an outlet on a circuit different from that to which the receiver is connected.
- Consult the dealer or an experienced radio/TV technician for help.

### 3.2 Canada

3.2.1 For EVMs issued with an Industry Canada Certificate of Conformance to RSS-210

#### **Concerning EVMs Including Radio Transmitters:**

This device complies with Industry Canada license-exempt RSS standard(s). Operation is subject to the following two conditions: (1) this device may not cause interference, and (2) this device must accept any interference, including interference that may cause undesired operation of the device.

#### **Concernant les EVMs avec appareils radio:**

Le présent appareil est conforme aux CNR d'Industrie Canada applicables aux appareils radio exempts de licence. L'exploitation est autorisée aux deux conditions suivantes: (1) l'appareil ne doit pas produire de brouillage, et (2) l'utilisateur de l'appareil doit accepter tout brouillage radioélectrique subi, même si le brouillage est susceptible d'en compromettre le fonctionnement.

#### **Concerning EVMs Including Detachable Antennas:**

Under Industry Canada regulations, this radio transmitter may only operate using an antenna of a type and maximum (or lesser) gain approved for the transmitter by Industry Canada. To reduce potential radio interference to other users, the antenna type and its gain should be so chosen that the equivalent isotropically radiated power (e.i.r.p.) is not more than that necessary for successful communication. This radio transmitter has been approved by Industry Canada to operate with the antenna types listed in the user guide with the maximum permissible gain and required antenna impedance for each antenna type indicated. Antenna types not included in this list, having a gain greater than the maximum gain indicated for that type, are strictly prohibited for use with this device.

#### **Concernant les EVMs avec antennes détachables**

Conformément à la réglementation d'Industrie Canada, le présent émetteur radio peut fonctionner avec une antenne d'un type et d'un gain maximal (ou inférieur) approuvé pour l'émetteur par Industrie Canada. Dans le but de réduire les risques de brouillage radioélectrique à l'intention des autres utilisateurs, il faut choisir le type d'antenne et son gain de sorte que la puissance isotrope rayonnée équivalente (p.i.r.e.) ne dépasse pas l'intensité nécessaire à l'établissement d'une communication satisfaisante. Le présent émetteur radio a été approuvé par Industrie Canada pour fonctionner avec les types d'antenne énumérés dans le manuel d'usage et ayant un gain admissible maximal et l'impédance requise pour chaque type d'antenne. Les types d'antenne non inclus dans cette liste, ou dont le gain est supérieur au gain maximal indiqué, sont strictement interdits pour l'exploitation de l'émetteur.

### 3.3 Japan

3.3.1 *Notice for EVMs delivered in Japan:* Please see [http://www.tij.co.jp/lstds/ti\\_ja/general/eStore/notice\\_01.page](http://www.tij.co.jp/lstds/ti_ja/general/eStore/notice_01.page) 日本国内に輸入される評価用キット、ボードについては、次のところをご覧ください。  
[http://www.tij.co.jp/lstds/ti\\_ja/general/eStore/notice\\_01.page](http://www.tij.co.jp/lstds/ti_ja/general/eStore/notice_01.page)

3.3.2 *Notice for Users of EVMs Considered "Radio Frequency Products" in Japan:* EVMs entering Japan may not be certified by TI as conforming to Technical Regulations of Radio Law of Japan.

If User uses EVMs in Japan, not certified to Technical Regulations of Radio Law of Japan, User is required by Radio Law of Japan to follow the instructions below with respect to EVMs:

1. Use EVMs in a shielded room or any other test facility as defined in the notification #173 issued by Ministry of Internal Affairs and Communications on March 28, 2006, based on Sub-section 1.1 of Article 6 of the Ministry's Rule for Enforcement of Radio Law of Japan,
2. Use EVMs only after User obtains the license of Test Radio Station as provided in Radio Law of Japan with respect to EVMs, or
3. Use of EVMs only after User obtains the Technical Regulations Conformity Certification as provided in Radio Law of Japan with respect to EVMs. Also, do not transfer EVMs, unless User gives the same notice above to the transferee. Please note that if User does not follow the instructions above, User will be subject to penalties of Radio Law of Japan.

【無線電波を送信する製品の開発キットをお使いになる際の注意事項】 開発キットの中には技術基準適合証明を受けていないものがあります。技術適合証明を受けていないものご使用に際しては、電波法遵守のため、以下のいずれかの措置を取っていただく必要がありますのでご注意ください。

1. 電波法施行規則第6条第1項第1号に基づく平成18年3月28日総務省告示第173号で定められた電波暗室等の試験設備でご使用いただく。
2. 実験局の免許を取得後ご使用いただく。
3. 技術基準適合証明を取得後ご使用いただく。

なお、本製品は、上記の「ご使用にあたっての注意」を譲渡先、移転先に通知しない限り、譲渡、移転できないものとします。

上記を遵守頂けない場合は、電波法の罰則が適用される可能性があることをご留意ください。日本テキサス・インスツルメンツ株式会社  
東京都新宿区西新宿 6 丁目 2 4 番 1 号  
西新宿三井ビル

3.3.3 *Notice for EVMs for Power Line Communication:* Please see [http://www.tij.co.jp/llds/ti\\_ja/general/eStore/notice\\_02.page](http://www.tij.co.jp/llds/ti_ja/general/eStore/notice_02.page)  
電力線搬送波通信についての開発キットをお使いになる際の注意事項については、次のところをご覧ください。[http://www.tij.co.jp/llds/ti\\_ja/general/eStore/notice\\_02.page](http://www.tij.co.jp/llds/ti_ja/general/eStore/notice_02.page)

#### 4 *EVM Use Restrictions and Warnings:*

4.1 EVMS ARE NOT FOR USE IN FUNCTIONAL SAFETY AND/OR SAFETY CRITICAL EVALUATIONS, INCLUDING BUT NOT LIMITED TO EVALUATIONS OF LIFE SUPPORT APPLICATIONS.

4.2 User must read and apply the user guide and other available documentation provided by TI regarding the EVM prior to handling or using the EVM, including without limitation any warning or restriction notices. The notices contain important safety information related to, for example, temperatures and voltages.

#### 4.3 *Safety-Related Warnings and Restrictions:*

4.3.1 User shall operate the EVM within TI's recommended specifications and environmental considerations stated in the user guide, other available documentation provided by TI, and any other applicable requirements and employ reasonable and customary safeguards. Exceeding the specified performance ratings and specifications (including but not limited to input and output voltage, current, power, and environmental ranges) for the EVM may cause personal injury or death, or property damage. If there are questions concerning performance ratings and specifications, User should contact a TI field representative prior to connecting interface electronics including input power and intended loads. Any loads applied outside of the specified output range may also result in unintended and/or inaccurate operation and/or possible permanent damage to the EVM and/or interface electronics. Please consult the EVM user guide prior to connecting any load to the EVM output. If there is uncertainty as to the load specification, please contact a TI field representative. During normal operation, even with the inputs and outputs kept within the specified allowable ranges, some circuit components may have elevated case temperatures. These components include but are not limited to linear regulators, switching transistors, pass transistors, current sense resistors, and heat sinks, which can be identified using the information in the associated documentation. When working with the EVM, please be aware that the EVM may become very warm.

4.3.2 EVMs are intended solely for use by technically qualified, professional electronics experts who are familiar with the dangers and application risks associated with handling electrical mechanical components, systems, and subsystems. User assumes all responsibility and liability for proper and safe handling and use of the EVM by User or its employees, affiliates, contractors or designees. User assumes all responsibility and liability to ensure that any interfaces (electronic and/or mechanical) between the EVM and any human body are designed with suitable isolation and means to safely limit accessible leakage currents to minimize the risk of electrical shock hazard. User assumes all responsibility and liability for any improper or unsafe handling or use of the EVM by User or its employees, affiliates, contractors or designees.

4.4 User assumes all responsibility and liability to determine whether the EVM is subject to any applicable international, federal, state, or local laws and regulations related to User's handling and use of the EVM and, if applicable, User assumes all responsibility and liability for compliance in all respects with such laws and regulations. User assumes all responsibility and liability for proper disposal and recycling of the EVM consistent with all applicable international, federal, state, and local requirements.

5. *Accuracy of Information:* To the extent TI provides information on the availability and function of EVMs, TI attempts to be as accurate as possible. However, TI does not warrant the accuracy of EVM descriptions, EVM availability or other information on its websites as accurate, complete, reliable, current, or error-free.

6. *Disclaimers:*
- 6.1 EXCEPT AS SET FORTH ABOVE, EVMS AND ANY WRITTEN DESIGN MATERIALS PROVIDED WITH THE EVM (AND THE DESIGN OF THE EVM ITSELF) ARE PROVIDED "AS IS" AND "WITH ALL FAULTS." TI DISCLAIMS ALL OTHER WARRANTIES, EXPRESS OR IMPLIED, REGARDING SUCH ITEMS, INCLUDING BUT NOT LIMITED TO ANY IMPLIED WARRANTIES OF MERCHANTABILITY OR FITNESS FOR A PARTICULAR PURPOSE OR NON-INFRINGEMENT OF ANY THIRD PARTY PATENTS, COPYRIGHTS, TRADE SECRETS OR OTHER INTELLECTUAL PROPERTY RIGHTS.
- 6.2 EXCEPT FOR THE LIMITED RIGHT TO USE THE EVM SET FORTH HEREIN, NOTHING IN THESE TERMS AND CONDITIONS SHALL BE CONSTRUED AS GRANTING OR CONFERRING ANY RIGHTS BY LICENSE, PATENT, OR ANY OTHER INDUSTRIAL OR INTELLECTUAL PROPERTY RIGHT OF TI, ITS SUPPLIERS/LICENSORS OR ANY OTHER THIRD PARTY, TO USE THE EVM IN ANY FINISHED END-USER OR READY-TO-USE FINAL PRODUCT, OR FOR ANY INVENTION, DISCOVERY OR IMPROVEMENT MADE, CONCEIVED OR ACQUIRED PRIOR TO OR AFTER DELIVERY OF THE EVM.
7. *USER'S INDEMNITY OBLIGATIONS AND REPRESENTATIONS.* USER WILL DEFEND, INDEMNIFY AND HOLD TI, ITS LICENSORS AND THEIR REPRESENTATIVES HARMLESS FROM AND AGAINST ANY AND ALL CLAIMS, DAMAGES, LOSSES, EXPENSES, COSTS AND LIABILITIES (COLLECTIVELY, "CLAIMS") ARISING OUT OF OR IN CONNECTION WITH ANY HANDLING OR USE OF THE EVM THAT IS NOT IN ACCORDANCE WITH THESE TERMS AND CONDITIONS. THIS OBLIGATION SHALL APPLY WHETHER CLAIMS ARISE UNDER STATUTE, REGULATION, OR THE LAW OF TORT, CONTRACT OR ANY OTHER LEGAL THEORY, AND EVEN IF THE EVM FAILS TO PERFORM AS DESCRIBED OR EXPECTED.
8. *Limitations on Damages and Liability:*
- 8.1 *General Limitations.* IN NO EVENT SHALL TI BE LIABLE FOR ANY SPECIAL, COLLATERAL, INDIRECT, PUNITIVE, INCIDENTAL, CONSEQUENTIAL, OR EXEMPLARY DAMAGES IN CONNECTION WITH OR ARISING OUT OF THESE TERMS AND CONDITIONS OR THE USE OF THE EVMS PROVIDED HEREUNDER, REGARDLESS OF WHETHER TI HAS BEEN ADVISED OF THE POSSIBILITY OF SUCH DAMAGES. EXCLUDED DAMAGES INCLUDE, BUT ARE NOT LIMITED TO, COST OF REMOVAL OR REINSTALLATION, ANCILLARY COSTS TO THE PROCUREMENT OF SUBSTITUTE GOODS OR SERVICES, RETESTING, OUTSIDE COMPUTER TIME, LABOR COSTS, LOSS OF GOODWILL, LOSS OF PROFITS, LOSS OF SAVINGS, LOSS OF USE, LOSS OF DATA, OR BUSINESS INTERRUPTION. NO CLAIM, SUIT OR ACTION SHALL BE BROUGHT AGAINST TI MORE THAN ONE YEAR AFTER THE RELATED CAUSE OF ACTION HAS OCCURRED.
- 8.2 *Specific Limitations.* IN NO EVENT SHALL TI'S AGGREGATE LIABILITY FROM ANY WARRANTY OR OTHER OBLIGATION ARISING OUT OF OR IN CONNECTION WITH THESE TERMS AND CONDITIONS, OR ANY USE OF ANY TI EVM PROVIDED HEREUNDER, EXCEED THE TOTAL AMOUNT PAID TO TI FOR THE PARTICULAR UNITS SOLD UNDER THESE TERMS AND CONDITIONS WITH RESPECT TO WHICH LOSSES OR DAMAGES ARE CLAIMED. THE EXISTENCE OF MORE THAN ONE CLAIM AGAINST THE PARTICULAR UNITS SOLD TO USER UNDER THESE TERMS AND CONDITIONS SHALL NOT ENLARGE OR EXTEND THIS LIMIT.
9. *Return Policy.* Except as otherwise provided, TI does not offer any refunds, returns, or exchanges. Furthermore, no return of EVM(s) will be accepted if the package has been opened and no return of the EVM(s) will be accepted if they are damaged or otherwise not in a resalable condition. If User feels it has been incorrectly charged for the EVM(s) it ordered or that delivery violates the applicable order, User should contact TI. All refunds will be made in full within thirty (30) working days from the return of the components(s), excluding any postage or packaging costs.
10. *Governing Law:* These terms and conditions shall be governed by and interpreted in accordance with the laws of the State of Texas, without reference to conflict-of-laws principles. User agrees that non-exclusive jurisdiction for any dispute arising out of or relating to these terms and conditions lies within courts located in the State of Texas and consents to venue in Dallas County, Texas. Notwithstanding the foregoing, any judgment may be enforced in any United States or foreign court, and TI may seek injunctive relief in any United States or foreign court.

Mailing Address: Texas Instruments, Post Office Box 655303, Dallas, Texas 75265  
Copyright © 2015, Texas Instruments Incorporated

## IMPORTANT NOTICE

Texas Instruments Incorporated and its subsidiaries (TI) reserve the right to make corrections, enhancements, improvements and other changes to its semiconductor products and services per JESD46, latest issue, and to discontinue any product or service per JESD48, latest issue. Buyers should obtain the latest relevant information before placing orders and should verify that such information is current and complete. All semiconductor products (also referred to herein as "components") are sold subject to TI's terms and conditions of sale supplied at the time of order acknowledgment.

TI warrants performance of its components to the specifications applicable at the time of sale, in accordance with the warranty in TI's terms and conditions of sale of semiconductor products. Testing and other quality control techniques are used to the extent TI deems necessary to support this warranty. Except where mandated by applicable law, testing of all parameters of each component is not necessarily performed.

TI assumes no liability for applications assistance or the design of Buyers' products. Buyers are responsible for their products and applications using TI components. To minimize the risks associated with Buyers' products and applications, Buyers should provide adequate design and operating safeguards.

TI does not warrant or represent that any license, either express or implied, is granted under any patent right, copyright, mask work right, or other intellectual property right relating to any combination, machine, or process in which TI components or services are used. Information published by TI regarding third-party products or services does not constitute a license to use such products or services or a warranty or endorsement thereof. Use of such information may require a license from a third party under the patents or other intellectual property of the third party, or a license from TI under the patents or other intellectual property of TI.

Reproduction of significant portions of TI information in TI data books or data sheets is permissible only if reproduction is without alteration and is accompanied by all associated warranties, conditions, limitations, and notices. TI is not responsible or liable for such altered documentation. Information of third parties may be subject to additional restrictions.

Resale of TI components or services with statements different from or beyond the parameters stated by TI for that component or service voids all express and any implied warranties for the associated TI component or service and is an unfair and deceptive business practice. TI is not responsible or liable for any such statements.

Buyer acknowledges and agrees that it is solely responsible for compliance with all legal, regulatory and safety-related requirements concerning its products, and any use of TI components in its applications, notwithstanding any applications-related information or support that may be provided by TI. Buyer represents and agrees that it has all the necessary expertise to create and implement safeguards which anticipate dangerous consequences of failures, monitor failures and their consequences, lessen the likelihood of failures that might cause harm and take appropriate remedial actions. Buyer will fully indemnify TI and its representatives against any damages arising out of the use of any TI components in safety-critical applications.

In some cases, TI components may be promoted specifically to facilitate safety-related applications. With such components, TI's goal is to help enable customers to design and create their own end-product solutions that meet applicable functional safety standards and requirements. Nonetheless, such components are subject to these terms.

No TI components are authorized for use in FDA Class III (or similar life-critical medical equipment) unless authorized officers of the parties have executed a special agreement specifically governing such use.

Only those TI components which TI has specifically designated as military grade or "enhanced plastic" are designed and intended for use in military/aerospace applications or environments. Buyer acknowledges and agrees that any military or aerospace use of TI components which have **not** been so designated is solely at the Buyer's risk, and that Buyer is solely responsible for compliance with all legal and regulatory requirements in connection with such use.

TI has specifically designated certain components as meeting ISO/TS16949 requirements, mainly for automotive use. In any case of use of non-designated products, TI will not be responsible for any failure to meet ISO/TS16949.

### Products

Audio	<a href="http://www.ti.com/audio">www.ti.com/audio</a>
Amplifiers	<a href="http://amplifier.ti.com">amplifier.ti.com</a>
Data Converters	<a href="http://dataconverter.ti.com">dataconverter.ti.com</a>
DLP® Products	<a href="http://www.dlp.com">www.dlp.com</a>
DSP	<a href="http://dsp.ti.com">dsp.ti.com</a>
Clocks and Timers	<a href="http://www.ti.com/clocks">www.ti.com/clocks</a>
Interface	<a href="http://interface.ti.com">interface.ti.com</a>
Logic	<a href="http://logic.ti.com">logic.ti.com</a>
Power Mgmt	<a href="http://power.ti.com">power.ti.com</a>
Microcontrollers	<a href="http://microcontroller.ti.com">microcontroller.ti.com</a>
RFID	<a href="http://www.ti-rfid.com">www.ti-rfid.com</a>
OMAP Applications Processors	<a href="http://www.ti.com/omap">www.ti.com/omap</a>
Wireless Connectivity	<a href="http://www.ti.com/wirelessconnectivity">www.ti.com/wirelessconnectivity</a>

### Applications

Automotive and Transportation	<a href="http://www.ti.com/automotive">www.ti.com/automotive</a>
Communications and Telecom	<a href="http://www.ti.com/communications">www.ti.com/communications</a>
Computers and Peripherals	<a href="http://www.ti.com/computers">www.ti.com/computers</a>
Consumer Electronics	<a href="http://www.ti.com/consumer-apps">www.ti.com/consumer-apps</a>
Energy and Lighting	<a href="http://www.ti.com/energy">www.ti.com/energy</a>
Industrial	<a href="http://www.ti.com/industrial">www.ti.com/industrial</a>
Medical	<a href="http://www.ti.com/medical">www.ti.com/medical</a>
Security	<a href="http://www.ti.com/security">www.ti.com/security</a>
Space, Avionics and Defense	<a href="http://www.ti.com/space-avionics-defense">www.ti.com/space-avionics-defense</a>
Video and Imaging	<a href="http://www.ti.com/video">www.ti.com/video</a>

### TI E2E Community

[e2e.ti.com](http://e2e.ti.com)