



Arash Loloee

ABSTRACT

A common feature in most of today's electronic devices – including cell phone, PDAs, notebooks, handheld media players, game systems, and so on, is the provision for connecting to external accessories. The devices therefore include dedicated logic circuitry that can detect not only the presence of an accessory, but also the type.

The TAx5x1x includes extensive capability to monitor a headphone, microphone (mic), or headset jack, determine if an audio plug has been inserted, and then detect what type of headset is wired to the plug. This application note mainly discusses the headset detection scheme for two different headset output configurations: pseudo-differential (capacitor-less) output, and ac-coupled output. The content of this document applies to the TAD5212, TAD5112, TAC5212, TAC5112, TAC5211, TAC5111, TAD5212-Q1, TAD5112-Q1, TAC5212-Q1, TAC5112-Q1, and TAC5111-Q1

Table of Contents

1 Headset Plugs and Connection Diagrams	2
1.1 Part I: Pseudo-Differential (Capacitor-less) Headset Output Configuration.....	2
1.2 Part II: AC-Coupled Stereo Headset Output Configuration – Capacitor Interface.....	6
2 Example for a Pseudo-Differential (Capacitor-less) Output Configuration	10
3 Example for an AC-Coupled (Capacitor) Output Configuration	11
4 Flowchart for Pseudo-Differential (Capacitor-less) Output Configuration	12
5 Flowchart for AC-Coupled (Capacitor) Output Configuration	14
6 Summary	15
7 References	15

Trademarks

All trademarks are the property of their respective owners.

1 Headset Plugs and Connection Diagrams

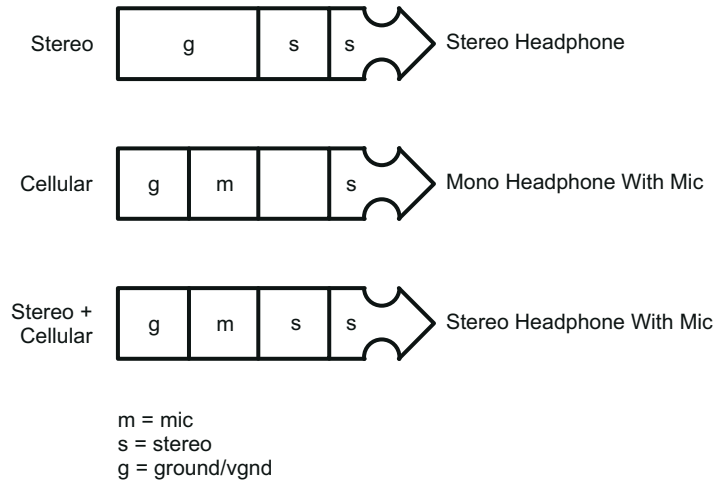


Figure 1-1. Different Configurations of 4-Conductor Headset Plug

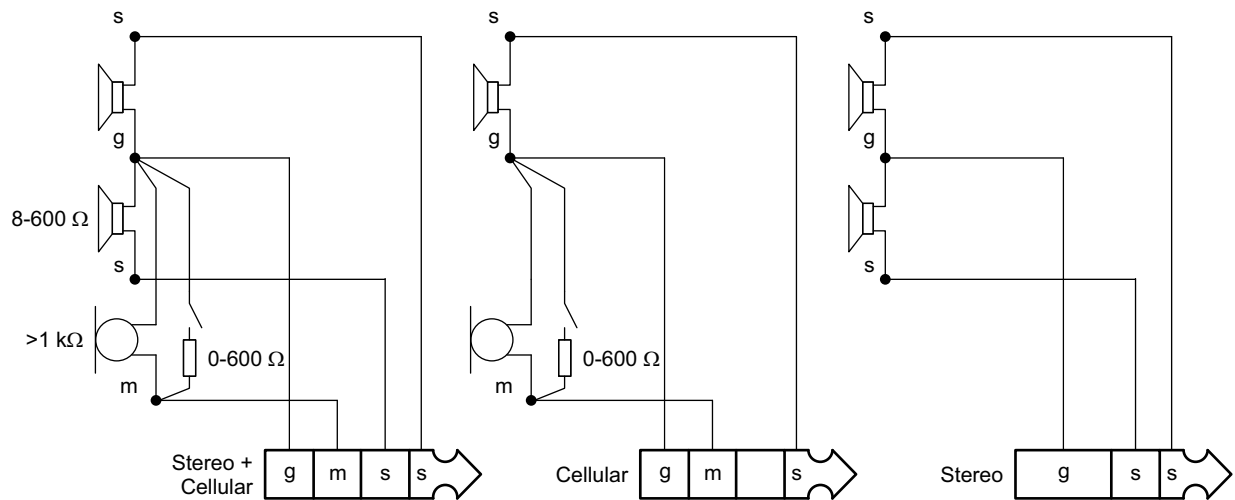


Figure 1-2. Connection Diagrams for Various Headsets

1.1 Part I: Pseudo-Differential (Capacitor-less) Headset Output Configuration

Figure 1-3 shows one configuration of the device that enables detection and determination of headset type when a pseudo-differential (capacitor-less) stereo headphone output connection is used. Note that for best results, it is recommended to select a MICBIAS value as high as possible, and to program the output driver common-mode level at a 1.6-V or 1.5-V level.

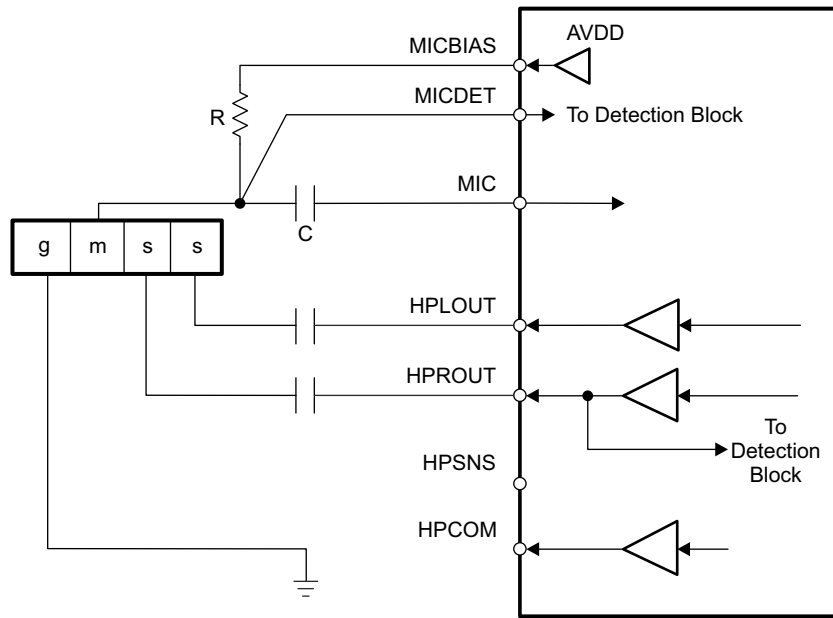


Figure 1-3. Device With a Pseudo-Differential (Capacitor-less) Headset Output Connection

Figure 1-4 demonstrates the internal circuitry that implements the detection logic. The two comparators in this figure is used for headphone and jack detection.

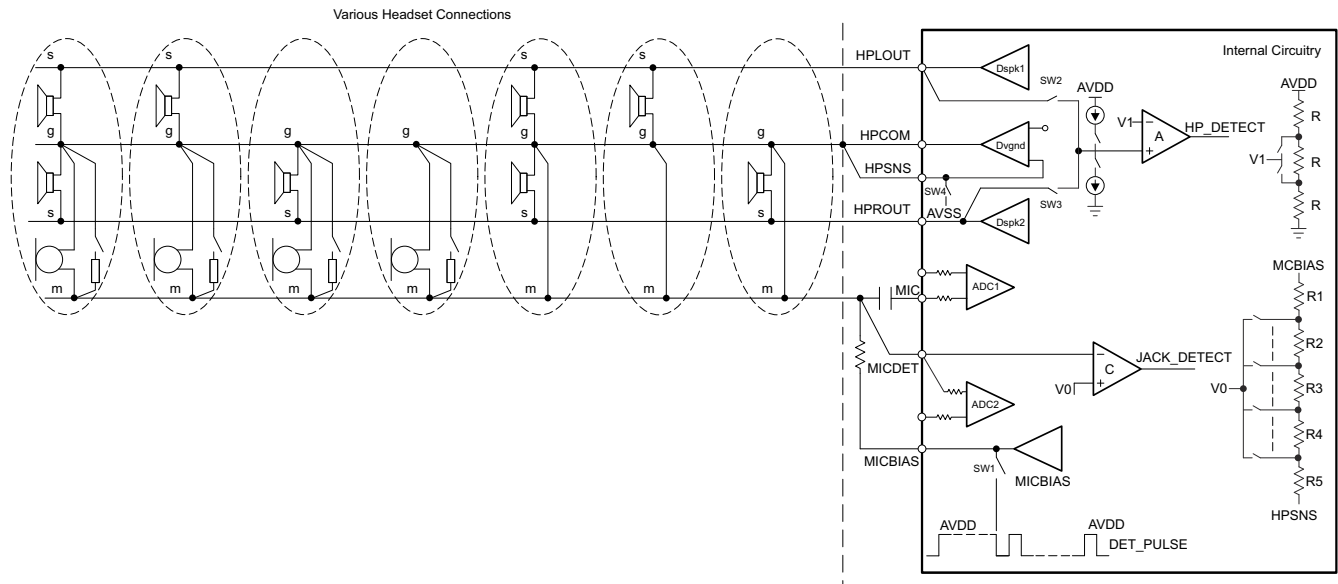


Figure 1-4. Circuit Diagram of Detection Scheme for Capacitor-less Interface

1.1.1 Detection Block, Capacitor-less Interface

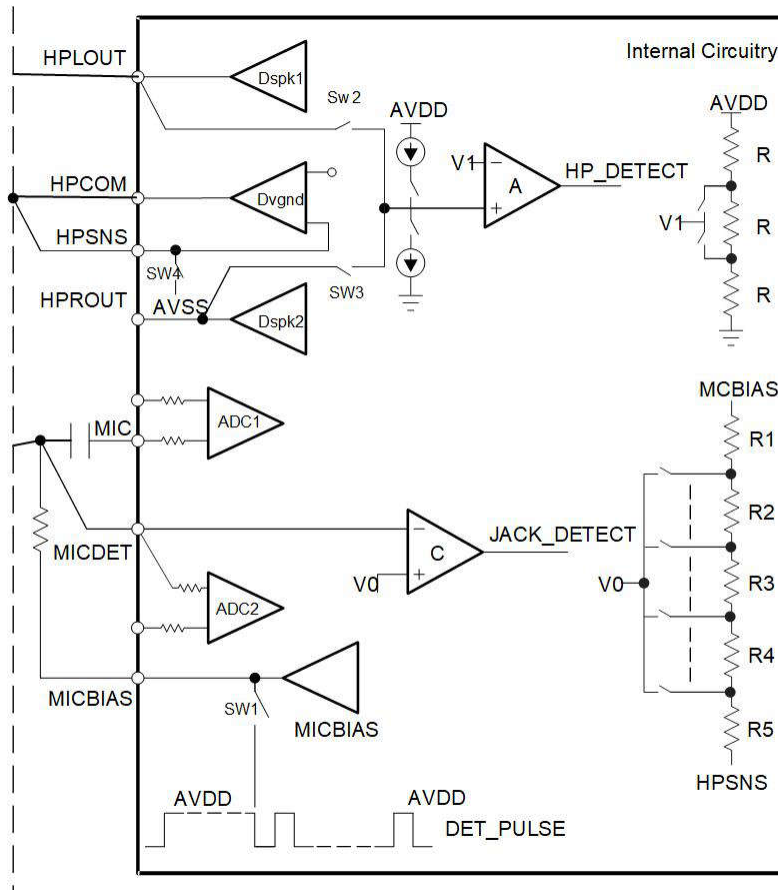


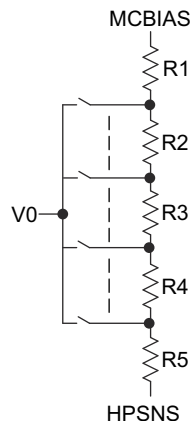
Figure 1-5. Detection Block for Pseudo-Differential (Capacitor-less) Interface

Comparator C is used to detect headset insertion type, bottom press and removal. However bottom press detection becomes available only when headset with mic is detected. Headset insertion and removal detection is always active inside device.

MICDET < V2	Insertion detected
MICDET > V2	No insertion
MICDET > V1	Headset with mic
MICDET < V1	Headset without mic
Given headset with mic is already detected	
MICDET > V3	No button press
MICDET < V3	Button press detected

Comparator A is used to differentiate mono headset with mic from stereo headset with mic.

1.1.2 How to Determine the Comparator Threshold V1 and V2 (Capacitor-less Interface)



$$\begin{aligned}
 V1 &= (MICBIAS - ref) \times \frac{11}{100} + ref \\
 V2 &= (MICBIAS - ref) \times \frac{22}{25} + ref \\
 V3 &= (MICBIAS - ref) \times \frac{11}{100} + ref \\
 ref &= HPSNS
 \end{aligned} \tag{1}$$

MICBIAS varies with detection mode.

1.1.3 How Does the Bias Voltage Vary With Detection Mode?

If MICBIAS is turned off or if headset insertion is not detected, then MICBIAS = AVDD

If MICBIAS is turned on and if headset insertion is detected, then MICBIA= Mic_bias

1.1.4 Detection Sequence – Capacitor-less Interface

- Enable headset detection scheme (Page 0, Reg 26, D1) and set Capacitor-less interface (Page 0, Reg 26, D3 = 1)
- Detect insertion (with headset detection scheme enabled, headset insertion detection is always active inside device)

Insertion detected:

$$MICDET < (MICBIAS - ref) \times \frac{22}{25} + ref = (AVDD - ref) \times \frac{22}{25} + ref$$

No Insertion:

$$MICDET > (MICBIAS - ref) \times \frac{22}{25} + ref = (AVDD - ref) \times \frac{22}{25} + ref$$

- Headset type detection (ONLY active when headset is inserted and detected)

Headset with mic:

$$MICDET > (MICBIAS - ref) \times \frac{11}{100} + ref = (AVDD - ref) \times \frac{11}{100} + ref$$

Headset without mic:

$$MICDET < (MICBIAS - ref) \times \frac{11}{100} + ref = (AVDD - ref) \times \frac{11}{100} + ref$$

- Button press detection (button press detection becomes active ONLY when headset with mic is detected)

No button push:

$$MICDET < (MICBIAS - ref) \times \frac{11}{100} + ref = (Mic_bias - ref) \times \frac{11}{100} + ref$$

Button push detected:

$$MICDET < (MICBIAS - ref) \times \frac{11}{100} + ref = (Mic_bias - ref) \times \frac{11}{100} + ref$$

- Headset removal detection (With headset detection scheme enabled, removal detection is always active inside device.)

Headset removed:

$$MICDET < (MICBIAS - ref) \times \frac{22}{25} + ref = (Mic_bias - ref) \times \frac{22}{25} + ref$$

Insertion detected:

$$MICDET < (MICBIAS - ref) \times \frac{22}{25} + ref = (Mic_bias - ref) \times \frac{22}{25} + ref$$

1.2 Part II: AC-Coupled Stereo Headset Output Configuration – Capacitor Interface

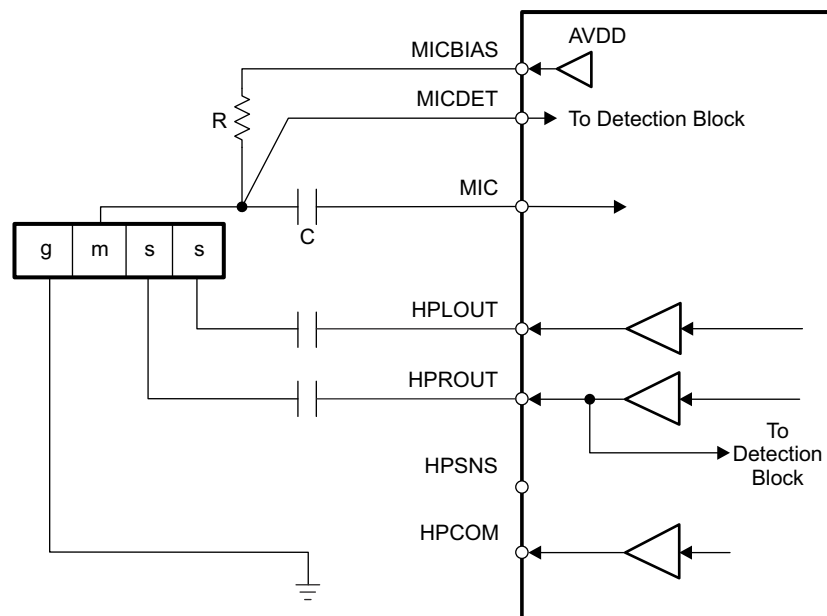


Figure 1-6. Device With an AC-Coupled Stereo Headset Output Connection

Figure 1-7 shows the detection logic implemented by the detection block circled in red. The detection block consists of three main components – comparator A, B, and C.

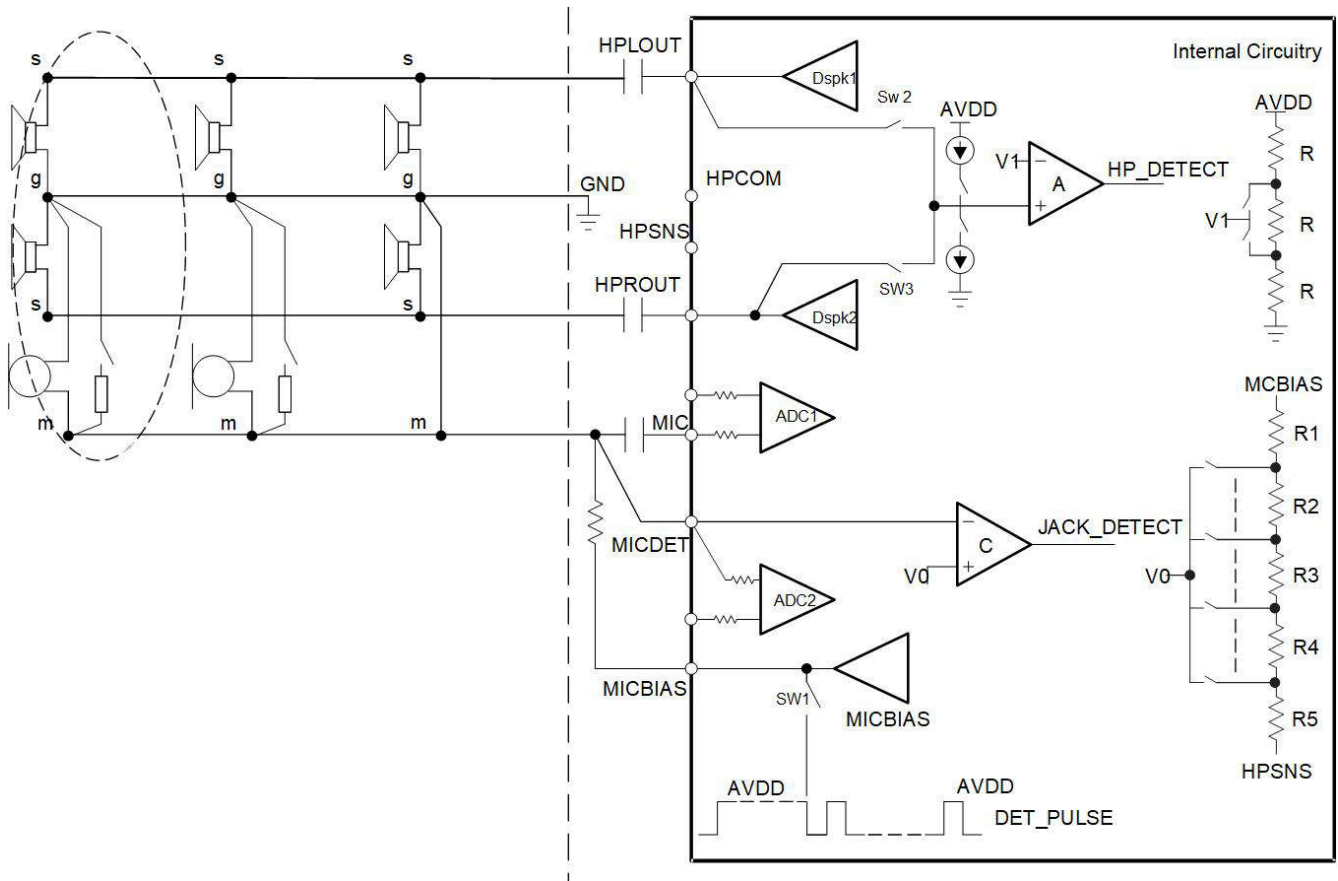


Figure 1-7. Circuit Diagram of Detection Scheme for Capacitor Interface

1.2.1 Detection Block – Capacitor Interface

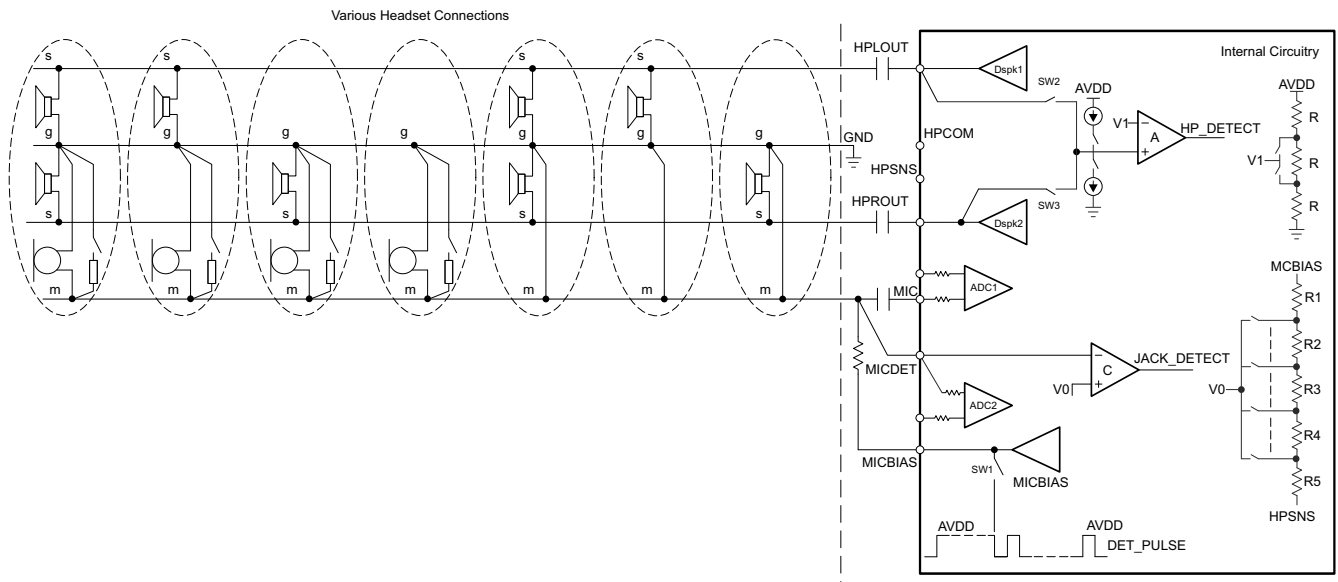


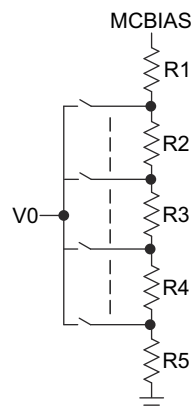
Figure 1-8. Detection Block for AC-Coupled (Capacitor) Interface

Comparator C is used to detect headset insertion and removal. However, button press detection becomes active only when headset with mic is detected. Headset insertion and removal detection is always active inside device.

MICDET < V2	Insertion detected
MICDET > V2	No insertion
MICDET > V1	Headset with mic
MICDET < V1	Headset without mic
Given headset with mic is already detected	
MICDET > V3	No button press
MICDET < V3	Button press detected

Comparator A is used to differentiate mono headset with mic from stereo headset with mic.

1.2.2 How to Determine the Comparator Threshold V1 and V2 – Capacitor Interface



$$V1 = (MICBIAS - ref) \times \frac{11}{100} + ref \quad \text{or} \quad V1 = (MICBIAS - ref) \times \frac{1}{5} + ref$$

$$V2 = (MICBIAS - ref) \times \frac{4}{5} + ref$$

$$ref = VSS = 0V$$

MICBIAS varies with detection mode

Note that for V1 and V2 there will be a lot more threshold possible than the ones shown previously which can be based on external resistor and ADC loading.

1.2.3 How Does the Bias Voltage Change With Detection Mode?

If MICBIAS is turned off or if headset insertion is not detected, then MICBIAS = AVDD

If MICBIAS is turned on and if headset insertion is detected, then MICBIAS = Mic_bias

1.2.4 Detection Sequence – Capacitor Interface

A lot of combinations for register mpa controls are needed for different external resistor support and different type of loading of ADC on input pins

- Enable headset detection scheme (Page 0, Reg 26, D1) and set AC-coupled interface (page 0, Reg 26, D3 = 0)
- Detect insertion (With headset detection scheme enabled, headset insertion detection is always active inside device.)

Insertion detected:

$$MICBIAS < (MICBIAS - ref) \times \frac{4}{5} + ref = \frac{4}{5}AVDD$$

No insertion:

$$MICBIAS > (MICBIAS - ref) \times \frac{4}{5} + ref = \frac{4}{5}AVDD$$

- Headset type detection (only active when headset is inserted and detected)

Headset with mic:

$$MICBIAS > (MICBIAS - ref) \times \frac{1}{5} \left(\text{or } \frac{1}{100} \right) + ref = \frac{4}{5} \left(\text{or } \frac{1}{100} \right) MIC_bias$$

Headset without mic:

$$MICBIAS < (MICBIAS - ref) \times \frac{1}{5} \left(\text{or } \frac{1}{100} \right) + ref = \frac{4}{5} \left(\text{or } \frac{1}{100} \right) MIC_bias$$

- Button press detection (button press detection becomes active only when headset with mic is detected)

No button push:

$$MICBIAS > (MICBIAS - ref) \times 0.2 \text{ or } 0.3 + ref = MIC_bias$$

Button push detected:

$$MICBIAS < (MICBIAS - ref) \times 0.2 \text{ or } 0.3 + ref = MIC_bias$$

- Headset removal detection (with headset detection scheme enabled, removal detection is always active inside device.)

Headset removed:

$$MICBIAS > (MICBIAS - ref) + ref = MIC_bias$$

Insertion detected:

$$MICBIAS < (MICBIAS - ref) + ref = MIC_bias$$

2 Example for a Pseudo-Differential (Capacitor-less) Output Configuration

AVDD = 3.3V/3.0 V

Mic_bias = 2.75V/2.5V

Ref = HPCOM = 1.65 V/1.5V

- Before insertion, set Bias = AVDD – HPCOM = 3.3V – 1.65 V = 1.65 V

$$\text{Insertion detected: } Mic_detect < Bias * \frac{22}{25} + Ref = 1.65 * \frac{22}{25} + 1.65 = 3.102$$

$$\text{No Insertion : } Mic_detect > Bias * \frac{22}{25} + Ref = 1.65 * \frac{22}{25} + 1.65 = 3.102$$

- Headset type detection, set Bias = Mic_bias – HPCOM = 2.75 – 1.65 = 1.1 V

$$\text{Headset with MIC: } Mic_detect > Bias * \frac{11}{100} + Ref = 1.1 * \frac{11}{100} + 1.65 = 1.771$$

$$\text{Headset without MIC: } Mic_detect < Bias * \frac{11}{100} + Ref = 1.1 * \frac{11}{100} + 1.65 = 1.771$$

- Hook button press detection, set Bias = Mic_bias – HPCOM = 2.75 – 1.65 = 1.1V.
Button press detection is active only when headset with mic has been detected.

$$\text{No botton push: } Mic_detect > Bias * \frac{11}{100} + Ref = 1.1 * \frac{11}{100} + 1.65 = 1.771$$

$$\text{Push botton detected : } Mic_detect < Bias * \frac{11}{100} + Ref = 1.1 * \frac{11}{100} + 1.65 = 1.771$$

- Headset removal detection, set Bias = Mic_bias – HPCOM = 2.75 – 1.65 = 1.1V

$$\text{Headset removed : } Mic_detect > Bias * \frac{22}{25} + Ref = 1.1 * \frac{22}{25} + 1.65 = 2.618$$

$$\text{Headset removed : } Mic_detect < Bias * \frac{22}{25} + Ref = 1.1 * \frac{22}{25} + 1.65 = 2.618$$

3 Example for an AC-Coupled (Capacitor) Output Configuration

AVDD = 3.3/3.0/1.8 V

Mic_bias = 2.75/2.5/1.375 V

Ref = VSS = 0 V

- Before insertion, set Bias = DVDD = 2 V

$$\text{Insertion detected: } Mic_detect < Bias * \frac{22}{25} + Ref = 2 * \frac{22}{25} + 0 = 1.76$$

$$\text{No Insertion : } Mic_detect > Bias * \frac{22}{25} + Ref = 2 * \frac{22}{25} + 0 = 1.76$$

- Headset type detection, set Bias = Mic_bias = 3.3 V

$$\text{Headset with MIC: } Mic_detect > Bias * \frac{11}{100} + Ref = 3.3 * \frac{11}{100} + 0 = 0.363$$

$$\text{Headset without MIC: } Mic_detect < Bias * \frac{11}{100} + Ref = 3.3 * \frac{11}{100} + 0 = 0.363$$

- Button press detection, set Bias = Mic_bias = 3.3 V
Button press detection is active only when headset with mic has been detected.

$$\text{No button push: } Mic_detect > Bias * \frac{11}{100} + Ref = 3.3 * \frac{11}{100} + 0 = 0.363$$

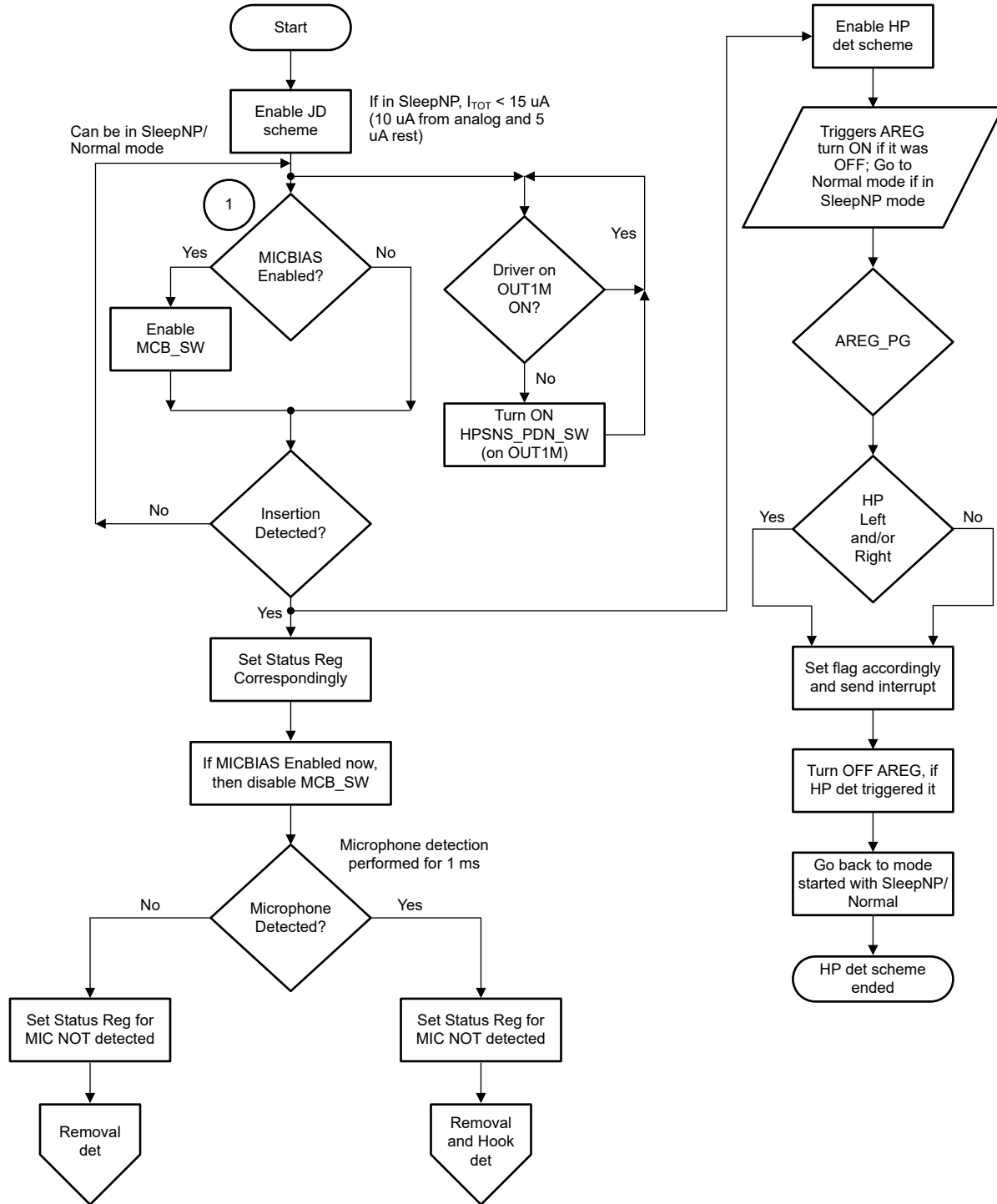
$$\text{Push button detected: } Mic_detect < Bias * \frac{11}{100} + Ref = 3.3 * \frac{11}{100} + 0 = 0.363$$

- Headset removal detection, set Bias = Mic_bias = 3.3 V.

$$\text{Headset removed : } Mic_detect > Bias * \frac{22}{25} + Ref = 3.3 * \frac{22}{25} + 0 = 2.904$$

$$\text{Insertion detected : } Mic_detect < Bias * \frac{22}{25} + Ref = 3.3 * \frac{22}{25} + 0 = 2.904$$

4 Flowchart for Pseudo-Differential (Capacitor-less) Output Configuration



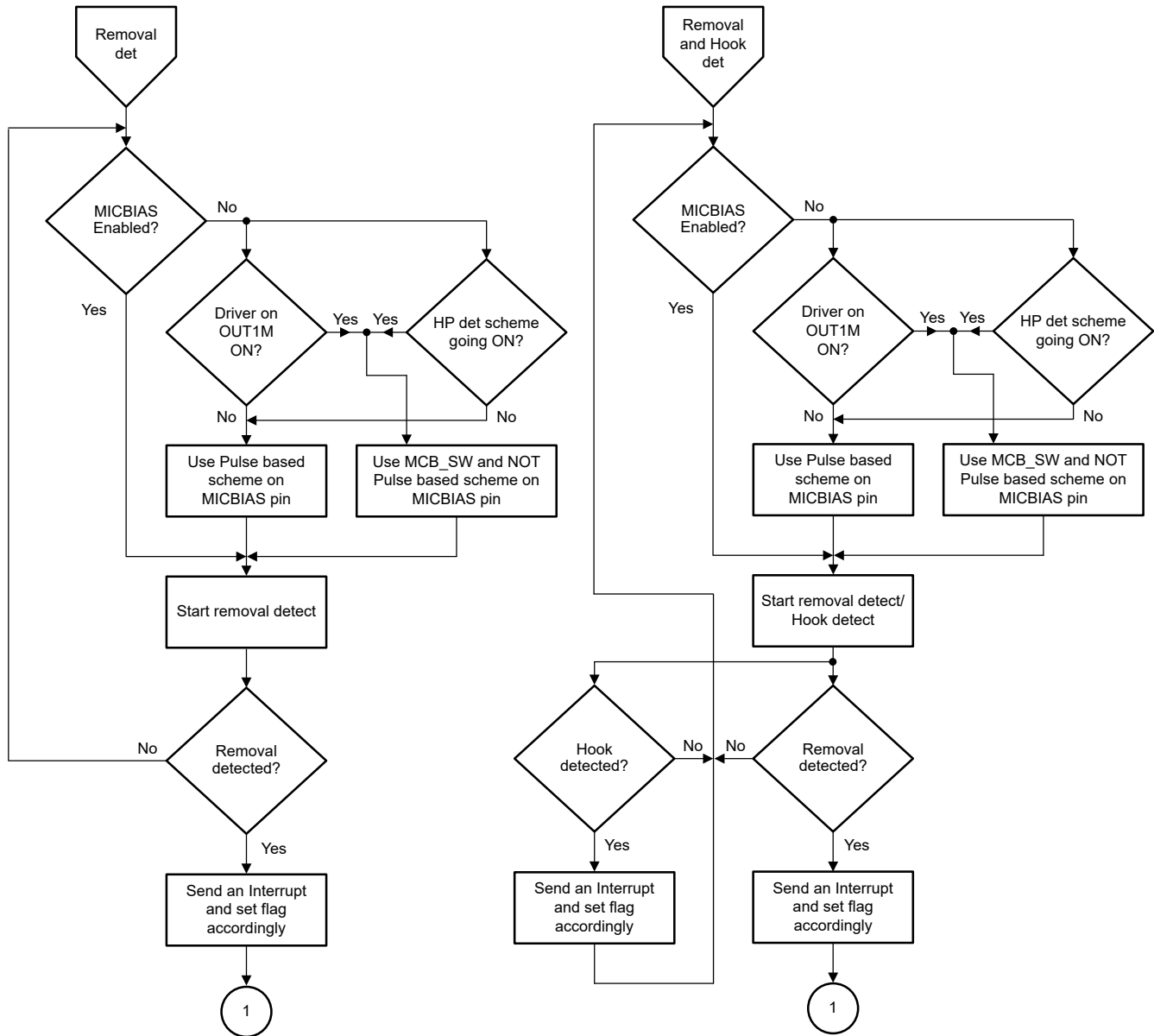


Figure 4-1. Flowchart for Insertion Detection and Headset-Type Detection

The insertion detection and the headset-type detection are evaluated in [Figure 4-1](#)

If Dvgn (VGND driver) is on, Micbias is switched on in order to do the hook button press detection and plug removal detection. Power due to Micbias is insignificant as compared to speaker power. If both Dvgn and Micbias are off, pulse scheme which takes less than 50 μA is used to complete the detection. Detection is done at the end of high period of pulse.

If Dvgn (VGND driver) is on, Micbias is switched on to do the plug removal detection. Power due to Micbias is insignificant as compared to speaker power. If Dvgn is off, pulse scheme which takes less than 50 μA is used to complete the detection. Detection is done at the end of the high period of the pulse.

5 Flowchart for AC-Coupled (Capacitor) Output Configuration

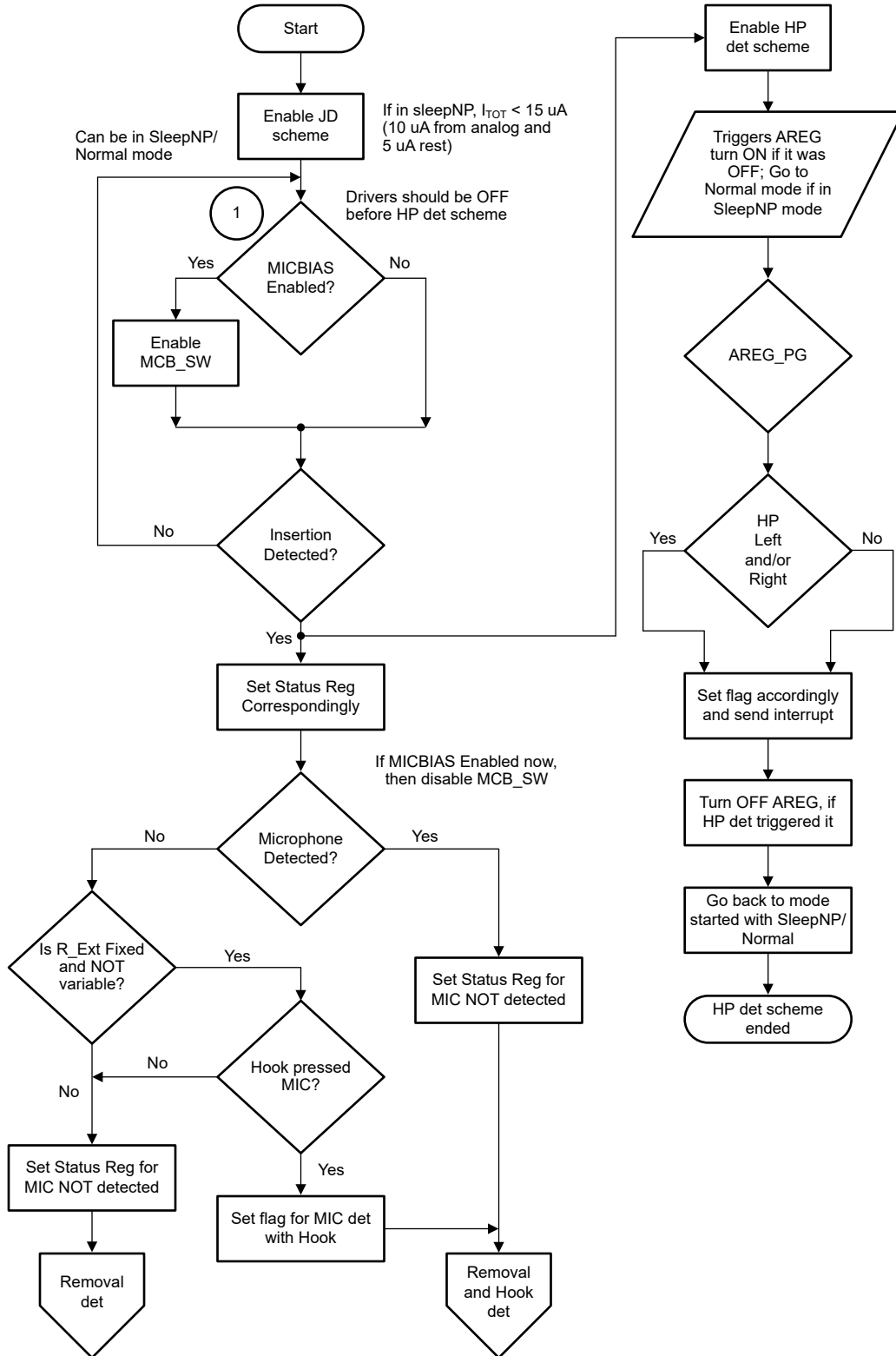


Figure 5-1. Flowchart for Insertion Detection and Headset-Type Detection

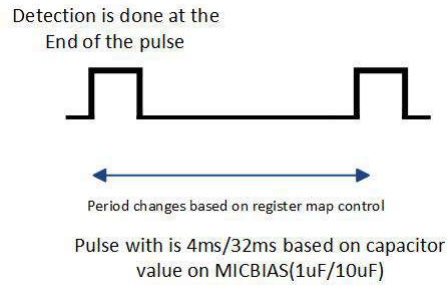


Figure 5-2. Pulse Scheme

DET_PULSE, which is generated using an internal oscillator, is used for hook button detection. DET_PULSE frequency is 0.5Hz, 1Hz, 7.5Hz or 15Hz based on reg map control with the high time of 4 or 32 ms based on capacitor value on MICBIAS.

6 Summary

The family of TAx5x1x devices include dedicated logic circuitry for detecting the presence of an accessory, and the type of accessory connected.

This application note discusses the headset detection schemes for two different headset output configurations: pseudo-differential (capacitor-less) output, and ac-coupled output. Two examples of the used cases are also presented.

7 References

1. Texas Instruments, [TAD5112-Q1 Stereo Audio DAC With 106dB Dynamic Range](#), data sheet.
2. Texas Instruments, [TAC5242 High-Performance Pin Controlled Stereo Audio Codec With 118dB Dynamic Range ADC and 120dB Dynamic Range DAC](#), data sheet.

IMPORTANT NOTICE AND DISCLAIMER

TI PROVIDES TECHNICAL AND RELIABILITY DATA (INCLUDING DATA SHEETS), DESIGN RESOURCES (INCLUDING REFERENCE DESIGNS), APPLICATION OR OTHER DESIGN ADVICE, WEB TOOLS, SAFETY INFORMATION, AND OTHER RESOURCES "AS IS" AND WITH ALL FAULTS, AND DISCLAIMS ALL WARRANTIES, EXPRESS AND IMPLIED, INCLUDING WITHOUT LIMITATION ANY IMPLIED WARRANTIES OF MERCHANTABILITY, FITNESS FOR A PARTICULAR PURPOSE OR NON-INFRINGEMENT OF THIRD PARTY INTELLECTUAL PROPERTY RIGHTS.

These resources are intended for skilled developers designing with TI products. You are solely responsible for (1) selecting the appropriate TI products for your application, (2) designing, validating and testing your application, and (3) ensuring your application meets applicable standards, and any other safety, security, regulatory or other requirements.

These resources are subject to change without notice. TI grants you permission to use these resources only for development of an application that uses the TI products described in the resource. Other reproduction and display of these resources is prohibited. No license is granted to any other TI intellectual property right or to any third party intellectual property right. TI disclaims responsibility for, and you will fully indemnify TI and its representatives against, any claims, damages, costs, losses, and liabilities arising out of your use of these resources.

TI's products are provided subject to [TI's Terms of Sale](#) or other applicable terms available either on [ti.com](https://www.ti.com) or provided in conjunction with such TI products. TI's provision of these resources does not expand or otherwise alter TI's applicable warranties or warranty disclaimers for TI products.

TI objects to and rejects any additional or different terms you may have proposed.

Mailing Address: Texas Instruments, Post Office Box 655303, Dallas, Texas 75265
Copyright © 2024, Texas Instruments Incorporated