

Optimizing Single Board Computers (SBC) Systems Using Logic and Translation



Functional Block Diagram

[Simplified Block Diagram for Single Board Computers](#) shows a simplified single board computer block diagram to illustrate the logic and translation use cases. Each red block has an associated use-case document. Links are provided in [Table 1](#) and [Table 2](#). For a more complete block diagram, see the [interactive online end equipment reference diagram for single board computers](#).

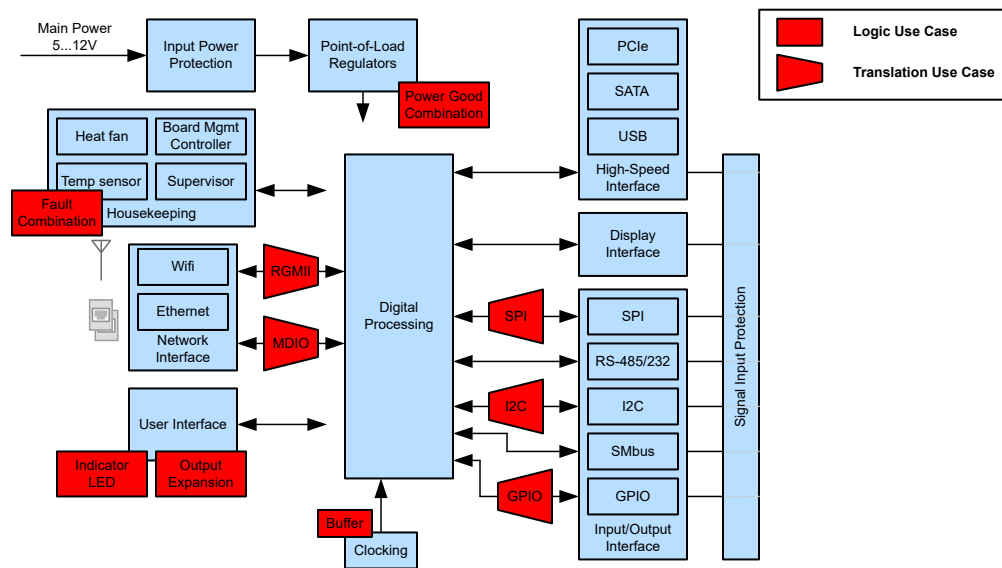


Figure 1. Simplified Block Diagram for Single Board Computers

Logic and Translation Use Cases

Each use case links to a separate document that provides additional details including a block diagram, design tips, and part recommendations. The nearest block and use-case identifiers are listed to match up exactly to the use cases shown in the provided [simplified block diagram](#).

Table 1. Logic Use Cases

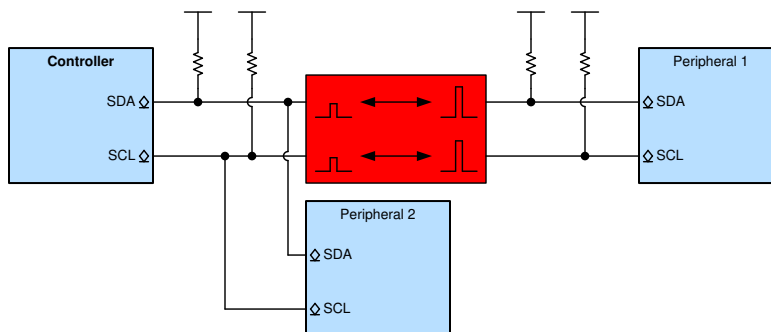
Nearest Block	Use-Case Identifier	Use Case
Point-of-Load Regulators	Power Good Combination	Combine Power Good Signals
Housekeeping	Fault Combination	Use Fewer Inputs to Monitor Error Signals
User Interface	Indicator LED	Drive Indicator LEDs
	Output Expansion	Increase the Number of Outputs on a Microcontroller
Clocking	Buffer	Redrive Digital Signals

Table 2. Translation Use Cases

Nearest Block	Use-Case Identifier	Use Case
Network Interface	RGMII	Translate Voltages for RGMII
	MDIO	Translate Voltages for MDIO
Input/Output Interface	SPI	Translate Voltages for SPI
	I2C	Voltage Translation for I2C Interface Modules
	GPIO	Translate Voltages for GPIO

Voltage Translation for I2C Interface Modules

It is common to see single board computers providing at least one I2C interface to connect external sensors or other modules. These external components can operate at a different voltage than the primary system controller. The addition of a voltage level translator protects low-power system controllers and ensures accurate communication to the peripheral module.


Figure 2. Example I2C Voltage Translation Block Diagram

- Typically operates at 100 kbps, 400 kbps, or 3.4 Mbps
- Requires auto-bidirectional, open-drain compatible voltage translators
- Translators enable communication when devices have mismatched logic voltage levels
- Prevents damage to devices that cannot support higher voltage inputs
- Improves data rates and signal integrity over discrete translation solutions
- Protects controller while peripheral is not connected
- Need additional assistance? Ask our engineers a question on the [TI E2E™ Logic Support Forum](#)

Table 3. Recommended Parts

Part Number	Automotive Qualified	Voltage Translation Range	Features
LSF0102-Q1	✓	0.95 V to 5.5 V to 0.95 V to 5.5 V	Auto-bidirectional with open-drain support Flexible design with external pull-up resistors See Understanding the LSF family of bidirectional, multi-voltage level translators for detailed design instructions
LSF0102			
TXS0102-Q1	✓	1.65 V to 3.6 V to 2.3 V to 5.5 V	Auto-bidirectional with open-drain support One-shot edge accelerators improve signal integrity Internal 10-kΩ pull-up resistors reduce external component count
TXS0102			

For more I2C translation devices, browse through the [online parametric tool](#) where you can sort by desired voltage, channel numbers, and other features.

IMPORTANT NOTICE AND DISCLAIMER

TI PROVIDES TECHNICAL AND RELIABILITY DATA (INCLUDING DATA SHEETS), DESIGN RESOURCES (INCLUDING REFERENCE DESIGNS), APPLICATION OR OTHER DESIGN ADVICE, WEB TOOLS, SAFETY INFORMATION, AND OTHER RESOURCES "AS IS" AND WITH ALL FAULTS, AND DISCLAIMS ALL WARRANTIES, EXPRESS AND IMPLIED, INCLUDING WITHOUT LIMITATION ANY IMPLIED WARRANTIES OF MERCHANTABILITY, FITNESS FOR A PARTICULAR PURPOSE OR NON-INFRINGEMENT OF THIRD PARTY INTELLECTUAL PROPERTY RIGHTS.

These resources are intended for skilled developers designing with TI products. You are solely responsible for (1) selecting the appropriate TI products for your application, (2) designing, validating and testing your application, and (3) ensuring your application meets applicable standards, and any other safety, security, regulatory or other requirements.

These resources are subject to change without notice. TI grants you permission to use these resources only for development of an application that uses the TI products described in the resource. Other reproduction and display of these resources is prohibited. No license is granted to any other TI intellectual property right or to any third party intellectual property right. TI disclaims responsibility for, and you will fully indemnify TI and its representatives against, any claims, damages, costs, losses, and liabilities arising out of your use of these resources.

TI's products are provided subject to [TI's Terms of Sale](#) or other applicable terms available either on ti.com or provided in conjunction with such TI products. TI's provision of these resources does not expand or otherwise alter TI's applicable warranties or warranty disclaimers for TI products.

TI objects to and rejects any additional or different terms you may have proposed.

Mailing Address: Texas Instruments, Post Office Box 655303, Dallas, Texas 75265
Copyright © 2022, Texas Instruments Incorporated