

EVM User's Guide: AMC-AMP-50A-EVM

AMC-AMP-50A-EVM



Description

The AMC-AMP-50A-EVM is an isolated current-sensing evaluation module designed for $\pm 50\text{A}$ shunt-based current sensing. This EVM allows users to sense up to $\pm 50\text{A}$ peak current through an external shunt resistor while measuring the isolated output through the isolation barrier of the AMC3302. The AMC3302 is a precision, isolated amplifier optimized for shunt-based current measurements and is paired with the Isabellenhütte BVN-M-R001 shunt resistor. This EVM features via stitching to facilitate with heat dissipation at large currents and can perform within $\pm 1\%$ (typical) accuracy.

Get Started

1. Order the AMC-AMP-50A-EVM on [ti.com](https://www.ti.com).
2. Download the comprehensive reference design files.
3. Evaluate performance on the bench.

Features

- $\pm 50\text{A}$ isolated current sensing
- Heat dissipation design up to 180°C at 2 minutes
- Lugs to connect EVM to current carrying leads
- Test points for easy evaluation
- Differential to single-ended signal chain
- Additional shunt resistor footprint for flexible design

Applications

- [Motor drives](#)
- [Power delivery](#)
- [Onboard Chargers \(OBCs\)](#)
- [Traction inverter](#)
- [DC/DC converter](#)
- [Energy Storage System \(ESS\)](#)
- [EV charging](#)
- [Solar inverters](#)

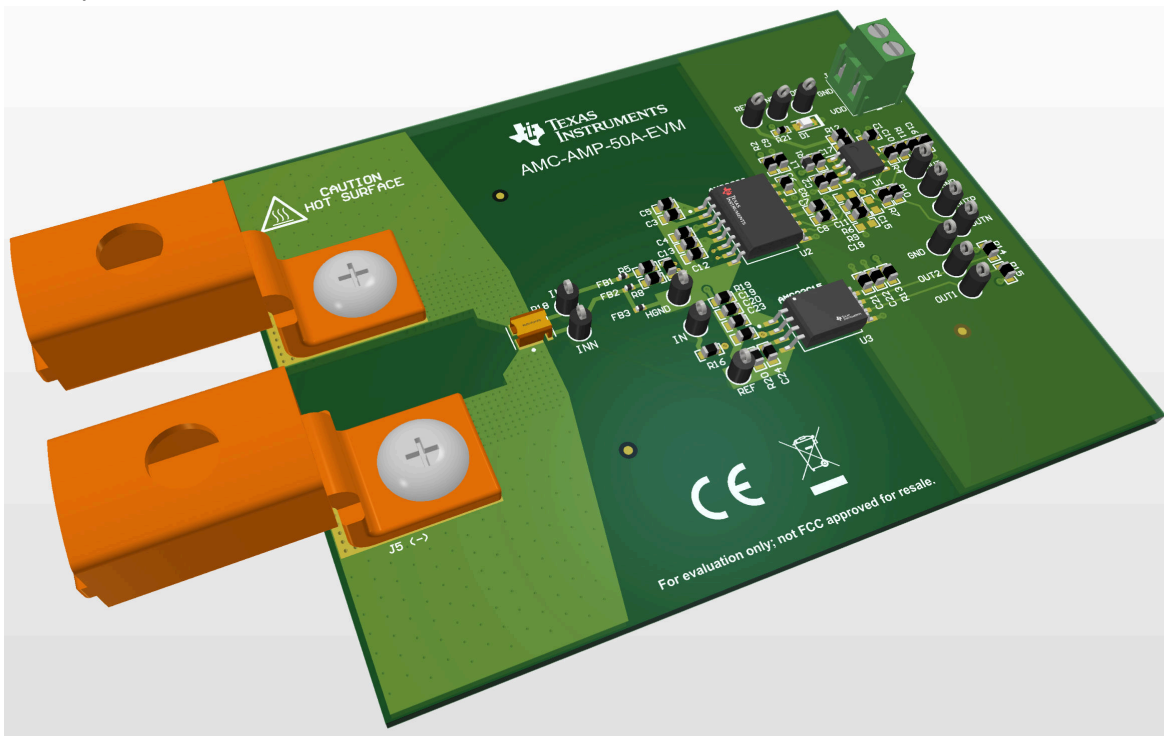


Figure 1-1. AMC-AMP-50A-EVM

1 Evaluation Module Overview

1.1 Introduction

Throughout this document, the abbreviation *EVM* and the term *evaluation module* are synonymous with the AMC-AMP-50A-EVM. This document includes how to set up and evaluate the EVM, the printed circuit board (PCB) layout, schematics, and bill of materials (BOM).

1.2 Kit Contents

Table 1-1 details the contents included in the AMC-AMP-50A-EVM kit.

Item	Description	Quantity
AMC-AMP-50A-EVM	PCB	1
CB70-14-CY	Terminal 90A Lug	2
McMaster-Carr Hexnut	Hexnut	2
McMaster-Carr Phillips Screw	Screw	2

1.3 Specification

The AMC-AMP-50A-EVM provides the ability to evaluate high currents up to $\pm 50A$. Refer to the data sheets of the [AMC3302](#), [AMC23C15](#), [TLV9002IDR](#), and [BVN-M-R001](#) for detailed device specifications.

1.4 Device Information

The AMC-AMP-50A-EVM is designed to provide ease-of-use and high accuracy in large current applications. The current-sensing device, AMC3302, is an isolated amplifier intended for shunt-based current sensing with reinforced isolation and an integrated DC/DC converter. Overcurrent detection is configurable using the AMC23C15, a reinforced, adjustable threshold isolated comparator. Both isolated current-sensing products sense across the BVN-M-R001 shunt resistor. The EVM features an additional unpopulated shunt resistor footprint in parallel to extend the current sensing range flexibility. See Section [What to Do and What Not to Do](#) for details. Included in the EVM kit are high-current lug connectors used for supplying primary current to be sensed to the EVM.

2 Hardware

This section summarizes the AMC-AMP-50A-EVM components, assembly instructions, interfaces, power requirements, test point information, and lug information.

2.1 Hardware Overview

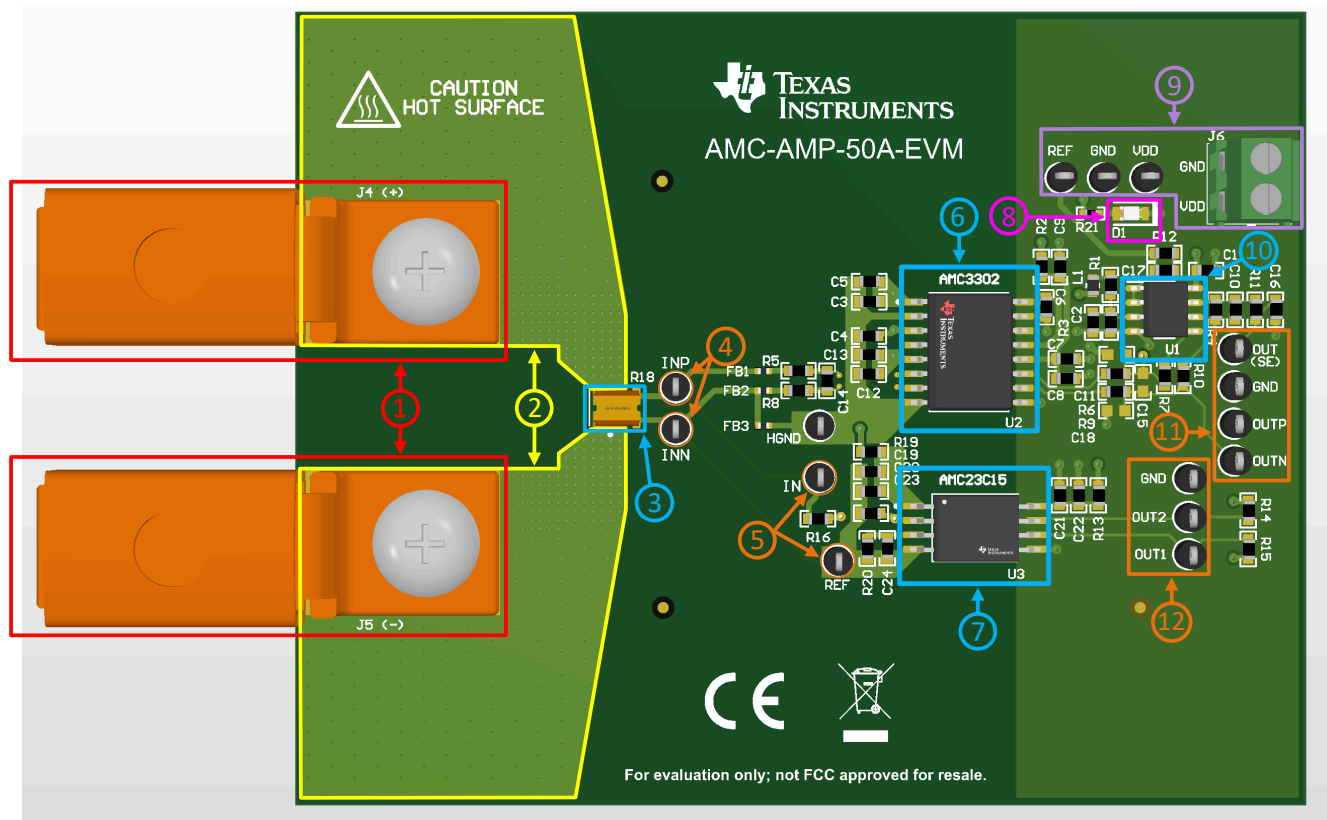


Figure 2-1. AMC-AMP-50A-EVM Hardware Labels

The AMC-AMP-50A-EVM has many hardware features, allowing the user to access and assess the EVM from many points in the signal chain. The default configuration is one 1mΩ shunt populated at R18 to sense ±50A applications.

Note

This EVM is an example high current-sensing design and further designs can be modified per system requirements. Considerations included in definition table.

- | | |
|-------------------------------------|--|
| 1. Lugs | Current carrying cable board connectors. Copper planes under lugs help dissipate heat. |
| 2. Via Stitch | Via stitching provides aeration to dissipate heat further. |
| 3. Isabellenhütte BVN-M-R001 | 1mΩ, ±1% tolerance shunt resistor for accurate current sensing. <u>PCB not designed for more than ±70A. If alternate current sensing range is desired, consider alternate shunt resistor values.</u> <ul style="list-style-type: none"> • Design Considerations for Isolated Current Sensing • Shunt Resistor Selection for Isolated Data Converters |
| 4. AMC3302 Input | AMC3302 differential analog input. |
| 5. AMC23C15 Input | AMC23C15 analog input. |

- 6. AMC3302** Isolated current-sensing amplifier with integrated DC/DC converter. *If smaller footprint desired or if high-side supply is available in the application such as from a gate driver or additional transformer winding, consider the [AMC1302](#), isolated current-sensing amplifier.*
- 7. AMC23C15** Isolated comparator with adjustable threshold for overcurrent detection; 280ns propagation delay (typical). *If $<3\mu\text{s}$ latency is not required, consider omitting isolated comparator.*
- [Isolated Overcurrent Protection Circuit](#)
- 8. LED** LED on to indicate device powered.
- 9. Low-Side Power Supply** Low-side power supply connectors: terminal block J6 or test point connections.
- 10. TLV9002** Operational amplifier for differential to single-ended conversion.
- 11. AMC3302 Outputs** AMC3302 differential and single-ended outputs.
- 12. AMC23C15 Outputs** AMC23C15 analog outputs.

2.2 Assembly Instructions

This section has step-by-step instructions on how to assemble the AMC-AMP-50A-EVM. Lugs come secured by default, but if the user needs to reattach during evaluation, follow step number one below.

1. Connect the high-current input lugs to the IN+ and IN- pads with the supplied screw and hexnut.
 - a. The lugs must not touch when secured.
 - b. Make sure that the lugs are positioned such that the lugs make contact with the maximum amount of surface area of the PCB pad.
 - c. The connectors must be tightly fastened to the current carrying cables such that the connectors can not be moved by hand. A torque wrench is recommended to provide symmetrical connection. A torque of approximately 40in-lbs is recommended.
2. Solder additional shunt resistor if desired. See Section [What to Do and What Not to Do](#) for more information on shunt limitations.
3. Modify isolated comparator adjustable trip threshold resistor (R20) if desired. The default trip voltage is $\pm 72\text{A}$. Refer to the [AMC23C15](#) data sheet for more information.

2.3 Interfaces

The AMC-AMP-50A-EVM features analog input circuitry to the isolated amplifier AMC3302 and to the isolated comparator AMC23C15. The EVM output contains two output sections: isolated amplifier (AMC3302) analog output circuitry and isolated comparator (AMC23C15) analog output circuitry.

2.3.1 Analog Input

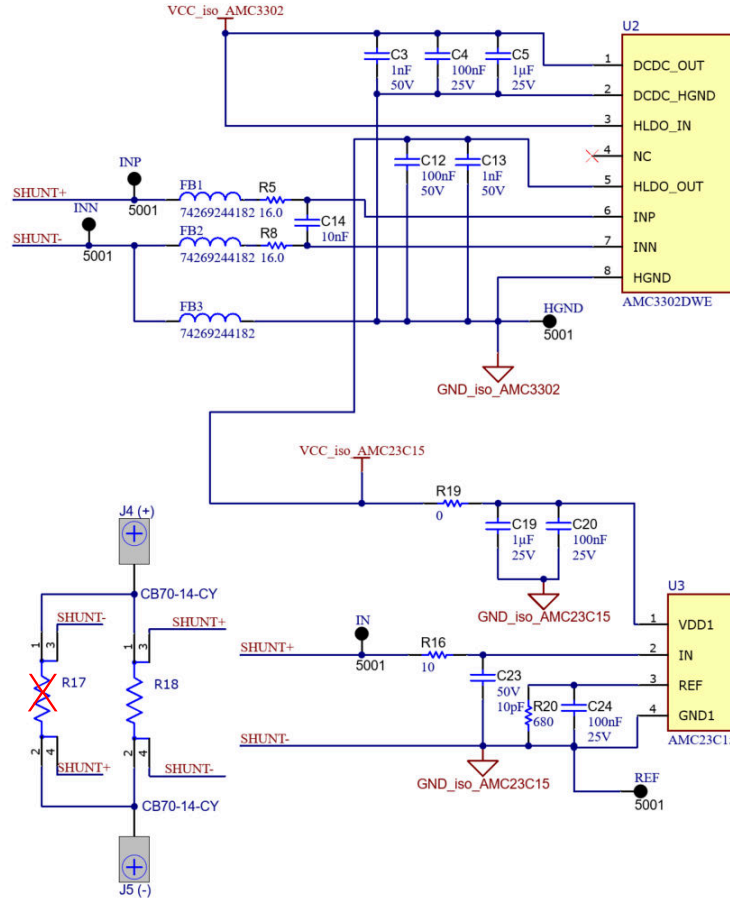


Figure 2-2. AMC-AMP-50A-EVM Analog Input

Figure 2-2 shows the analog input circuit for the AMC-AMP-50A-EVM.

The input is supplied through the high current input lugs at J4(+)/IN+ and J5(-)/IN-. The input current is sensed through shunt resistor R18 and carried into the analog inputs of the AMC3302 and into the analog input of the AMC23C15. R17 is unpopulated by default configuration. The AMC3302 input is accessible to the user through test-points INP and INN. The AMC23C15 input is accessible to the user through test-points IN and REF.

For the AMC3302 input, the passive components R5, R8, and C14 make a differential anti-aliasing filter with a cutoff frequency of 497kHz. Ferrite beads FB1, FB2, and FB3 help to suppress high frequency signals on the signal lines. See application note, [Best Practices to Attenuate AMC3302 Family Radiated Emissions EMI](#), for more information. Capacitors C3, C4, C5, C12, and C13 serve as decoupling capacitors.

For the AMC23C15 input, the passive components R16 and C23 make an RC filter with a cutoff frequency of 1.59GHz. Passive components R20 and C24 define the adjustable threshold voltage determined by the desired overcurrent value. See the [AMC23C15](#) data sheet for more details. Capacitors C19 and C20 serve as decoupling capacitors.

2.3.2 Isolated Amplifier (AMC3302) Analog Output

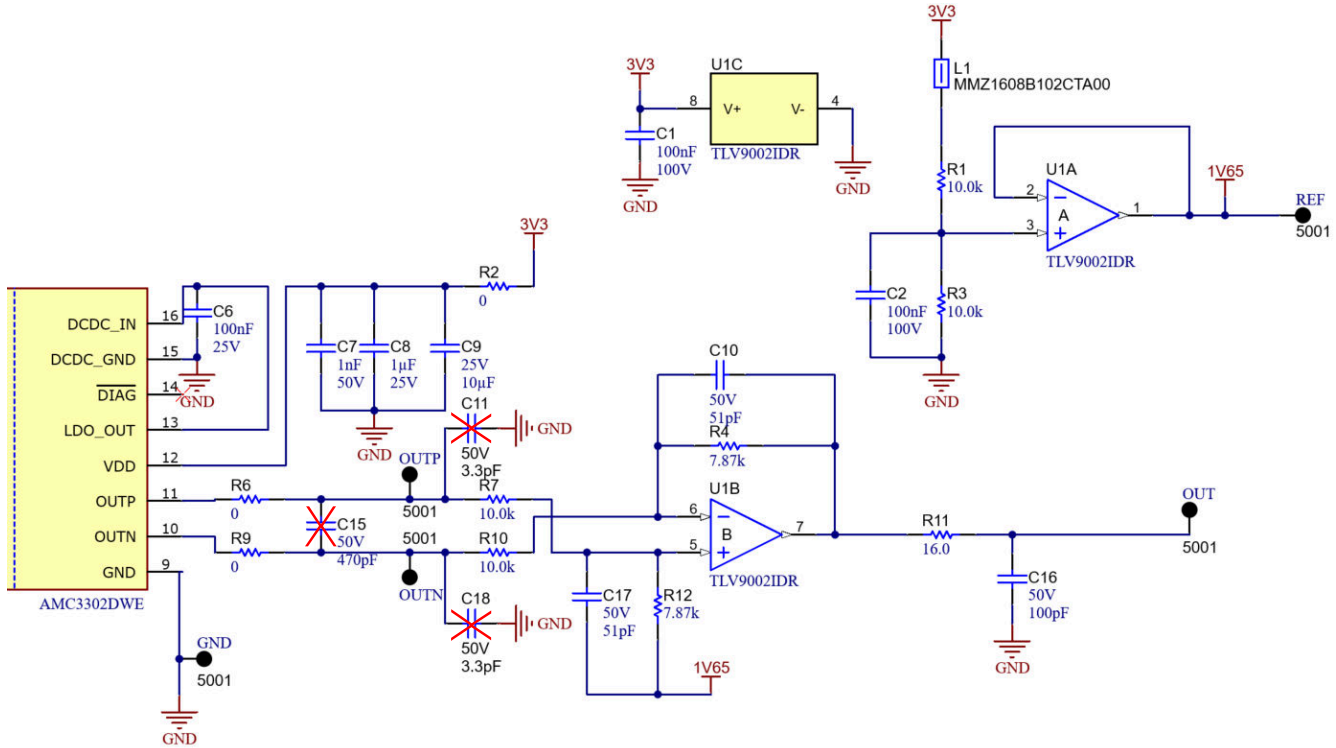


Figure 2-3. AMC-AMP-50A-EVM Isolated Amplifier (AMC3302) Analog Output

Figure 2-3 shows the analog output circuit for the AMC-AMP-50A-EVM AMC3302 signal chain.

The AMC3302 differential output is accessible to the user through test-points OUTP and OUTN. The passive components R6, R9, and C15 give a footprint for a differential anti-aliasing filter. R6 and R9 are 0Ω by default configuration and C15 is unpopulated by default configuration.

The AMC3302 single-ended output is accessible to the user through testpoint OUT(SE) with respect to GND. A two-channel operational amplifier TLV9002 is used to transform the differential output signal to a single-ended signal. Passive components R4, R7, R10, R12, C11, C17 and C18 serve as differential to single-ended filtering and set the gain of the operational amplifier. C11 and C18 are unpopulated by default configuration. See application note, [Isolated Current-Sensing Circuit with ±250mV Input Range and Single-Ended Output Voltage](#), for more information on differential to single-ended signal conversion.

Passives R1, R3, and C2 derive a common-mode voltage that is buffered by the second channel of the TLV9002 at the midpoint from the power supply to prevent common-mode shifting.

Passive components R11 and C16 make an RC filter on the single-ended output with a cutoff frequency of 99.5MHz.

Capacitors C7, C8, and C9 help attenuate common-mode signals. Capacitor C6 serves as a decoupling capacitor.

2.3.3 Isolated Comparator (AMC23C15) Analog Output

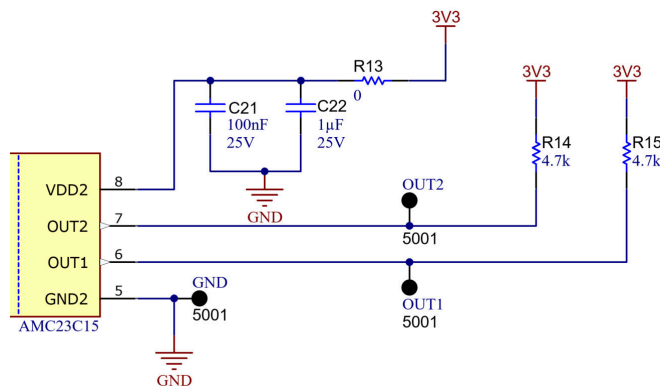


Figure 2-4. AMC-AMP-50A-EVM Isolated Comparator (AMC23C15) Analog Output

Figure 2-4 shows the analog output circuit for the AMC-AMP-50A-EVM AMC23C15 signal chain.

The analog output of the AMC23C15 provides the overcurrent protection response of the circuitry.

The AMC23C15 output is accessible to the user through test-points OUT1 and OUT2. OUT1 connects to window comparator 1, adjustable threshold. OUT2 connects to window comparator 2, fixed threshold. OUT1 transitions from high to low at approximately $\pm 72A$ input current with default configurations. OUT2 transitions from high to low at $\pm 60mV$ at the input of the device. Resistors R14 and R15 are pullup resistors. Capacitors C21 and C22 serve as decoupling capacitors.

2.4 Power Requirements

The EVM requires one external power rail for VDD2. VDD2 is the low-voltage side power supply. The AMC3302 includes an integrated DC/DC converter which acts as the high-voltage side power supply. This power is extended to the high-voltage side of the AMC23C15 from the AMC3302 HLDO_OUT pin.

2.4.1 VDD2 Input

The EVM provides access to VDD2 by terminal block J6 and test-points VDD and GND. The power supply must be between the devices recommended operating conditions with respect to ground (3.3V-5V). LED lights up when powered.

2.5 Test Points

The AMC-AMP-50A-EVM includes 15 test-points throughout the EVM signal chain. These connections allow full evaluation of the current sensing circuitry. External equipments such as power supplies and digital multimeters (DMMs) with hook clips are intended to be attached to the surface mounted test points for easy evaluation.

2.6 Lug Information

The input connectors labeled IN+ and IN- correspond to the high-current rated load connector lugs supplied with the EVM kit. These components must be securely screwed to the board to make contact. The acceptable continuous load input maximum for the included connectors is $\pm 70A$ for DC and AC measurements. Continuous allowable current is also limited by the maximum operating conditions of the shunt resistor.

3 What to Do and What Not to Do

Do not apply more than $\pm 70A$ continuous load to this EVM. The AMC-AMP-50A-EVM is defined to measure the $\pm 50A$ range. Populating a second $1m\Omega$ shunt on the additional shunt resistor footprint, R17, can double the current sensing range while utilizing the same $\pm 50mV$ input of the AMC3302; however, this PCB is only designed to withstand continuous currents up to $\pm 70A$ due to heat dissipation restrictions. For optimal reliability with standard FR4 based PCB, the temperature must not exceed $180^\circ C$.

4 Implementation Results

4.1 Evaluation Procedure

To evaluate the function of the board, TI recommends to run a test procedure - [Section 4.1.2](#). For more in depth signal chain evaluation, reference [Section 4.1.3](#).

4.1.1 Equipment Setup

1. One five-volt source limited to 50mA.
2. High current electronic load (for example, Agilent™ N3300A).
3. DC Current Source.
4. High current carrying cables.
5. One (or more) oscilloscopes or digital multimeters (DMM) with at least 6.5 digits of resolution. *Optional:* Five DMMs can be used for full signal chain evaluation.
6. Signal generator or data collection equipment.
7. *Optional:* High current supply control shunt for full signal chain evaluation.

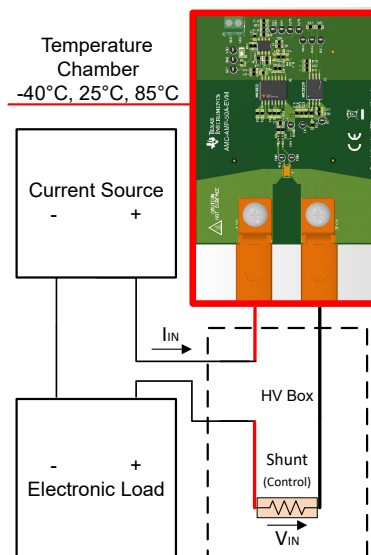


Figure 4-1. Positive Current Equipment Setup

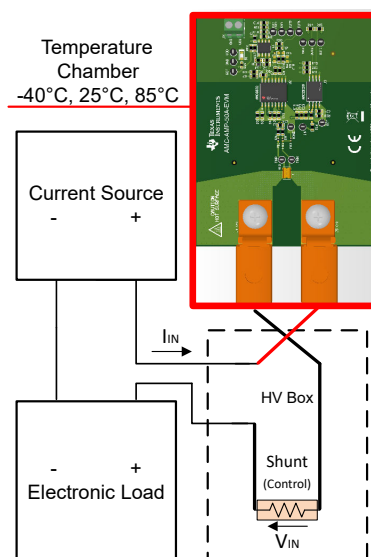


Figure 4-2. Negative Current Equipment Setup

4.1.2 Test Procedure

Note: Verify that the outputs of the connected supplies are disabled before connecting or disconnecting equipment.

1. Set the 5V ($\pm 10\%$) source and limit the current to 50mA as noted in [Section 4.1.1](#). Connect the EVM voltage source to the VDD pin of the connector, referenced to GND2. Turn on the power source and make sure there is no more than the specified current limit in the device data sheet drawn.
2. Tie inputs together and to HGND. Use the oscilloscope or the DMM to verify that isolated power is present on both supplies. Measure testpoint OUTP referenced GND and testpoint OUTN referenced to GND and verify the isolated voltage is at the common-mode output voltage (typical 1.44V). This confirms device functionality.
3. Connect the oscilloscope or the DMM to the AMC3302 differential output.
4. Connect the high current carrying cables to the positive and negative lugs, IN+ and IN-. For high-side measurement of positive current, IN- sources to the electronic load; for negative current, IN+ sources to the load. Set current bounds if supplies allow. Turn on all connected supplies.
5. Apply the appropriate full-scale linear input signal: $\pm 50A$.
6. Measure the AMC3302 differential output with the oscilloscope or the DMM.
 - a. Verify that the differential output voltage swings between the specified range in the device data sheet: $\pm 2.05V$.

4.1.3 Full Signal Chain Evaluation Procedure

Note: Verify that the outputs of the connected supplies are disabled before connecting or disconnecting equipment.

1. Set the 5V ($\pm 10\%$) source and limit the current to 50mA as noted above. Connect the EVM voltage source to the VDD pin of the connector, referenced to GND2. Turn on the power source and verify that there is no more than the specified current limit in the device data sheet drawn.
2. Connect DMMs to the following test points. Refer to [Figure 4-1](#), [Figure 4-2](#), and [Figure 2-1](#) for test procedure setup and connection mapping.
 - a. High Current Power Supply Control Shunt: V_{IN}
 - b. AMC3302 Input, INP & INN: $V_{INP/INN}$
 - c. AMC3302 Differential Output, OUTP & OUTN: V_{OUT_DIFF}
 - d. AMC3302 Single-Ended Output, OUT(SE) & GND: V_{OUT_SE}
 - e. AMC23C15 Output, OUT1 (or OUT2) & GND: V_{OUT1}
3. Connect the high current carrying cables to the positive and negative lugs, IN+ and IN-. For high-side measurement of positive current, IN- sources to the electronic load; for negative current, IN+ sources to the load. Set current bounds if supplies allow. Turn on all connected supplies.
4. Apply the appropriate full-scale linear input sweep $\pm 50A$ range (or $\pm 70A$). Incrementing 0.5A every 0.2s works well for evaluation.
5. Record the five DMM outputs for the entire full-scale linear input sweep.

6. To evaluate the current sensing performance of the EVM, calculate the following errors across the entire current sweep. Equations "i" calculate the error at a given input current and equations "ii" calculate the error over a specified current range at a given input current. Example range is $\pm 50A$.

a. Default Values:

$$R_{IND} = 4.9k\Omega$$

$$I_B = 36\mu A$$

$$GAIN_{AMC3302} = 41$$

$$V_{OFFSET} = 2.5V$$

Shunt Resistor Error:

$$i. E_{SHUNT} = V_{IN} \times \frac{R_{IND}}{R_{IND} + R_5 + R_8} + I_B \times R_{18} - V_{INP/INN}$$

$$ii. E_{SHUNT} \% FS = \frac{E_{SHUNT}}{E_{SHUNT}(I_{IN} = -50A) - E_{SHUNT}(I_{IN} = 50A)} \times 100$$

b. AMC3302 Error:

$$i. E_{AMC3302} = V_{OUT_DIFF} - V_{INP/INN} \times \frac{R_{IND}}{R_{IND} + R_5 + R_8} \times GAIN_{AMC3302}$$

$$ii. E_{AMC3302} \% FS = \frac{E_{AMC3302}}{E_{AMC3302}(I_{IN} = -50A) - E_{AMC3302}(I_{IN} = 50A)} \times 100$$

c. Differential to Single-Ended Error:

$$i. E_{DIFF \rightarrow SE} = V_{OUT_SE} - V_{OUT_DIFF} \times \frac{R_4}{R_7} + V_{OFFSET}$$

$$ii. E_{DIFF \rightarrow SE} \% FS = \frac{E_{DIFF \rightarrow SE}}{E_{DIFF \rightarrow SE}(I_{IN} = -50A) - E_{DIFF \rightarrow SE}(I_{IN} = 50A)} \times 100$$

d. Total Error:

$$i. E_{TOTAL} = V_{OUT_SE} - V_{OFFSET} + \left(V_{IN} \times \frac{R_{IND}}{R_{IND} + R_5 + R_8} + I_B \times R_{18} \right) \times GAIN_{AMC3302} \times \frac{R_4}{R_7}$$

$$ii. E_{TOTAL} \% FS = \frac{E_{TOTAL}}{E_{TOTAL}(I_{IN} = -50A) - E_{TOTAL}(I_{IN} = 50A)} \times 100$$

7. Plot calculated results against input current, I_{IN} . Results shown taken over temperature from two samples.

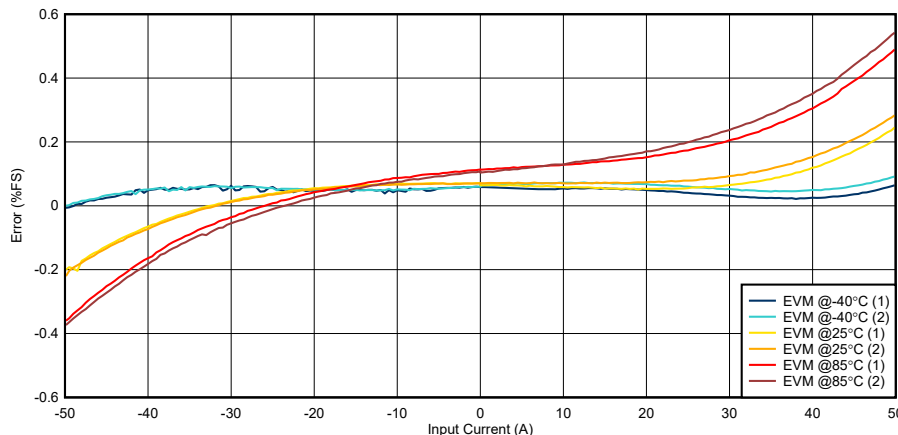


Figure 4-3. AMC-AMP-50A-EVM Total Error %FS Results

8. To evaluate the overcurrent detection performance, measure V_{OUT1} or V_{OUT2} . By default, V_{OUT1} is low at $I_{IN} = \pm 72A$ or $V_{IN} = \pm 72mV \pm 2.5mV$ and V_{OUT2} toggles at $V_{IN} = \pm 60mV$.
9. Repeat these steps at hot and cold temps. Calibrate if necessary.

4.2 Performance Data and Results

4.2.1 Shunt Selection Calculations

Consider desired input range and power dissipated when selecting a shunt resistor for high current applications.

- Resistance Calculation:

$$R_{SHUNT} = \frac{V}{I} = \frac{50mV(\text{Input Range of AMC3302})}{50A(\text{Current Range})} = 1m\Omega$$

- Power Dissipated:

$$P = I^2R = 50A^2 \times 1m\Omega = 2.5W$$

Power dissipated must be 2/3 of the shunt resistor power rating for heat dissipation at high currents. See application note, [Shunt Resistor Selection for Isolated Data Converters](#), for more information.

4.2.2 Filter Selection

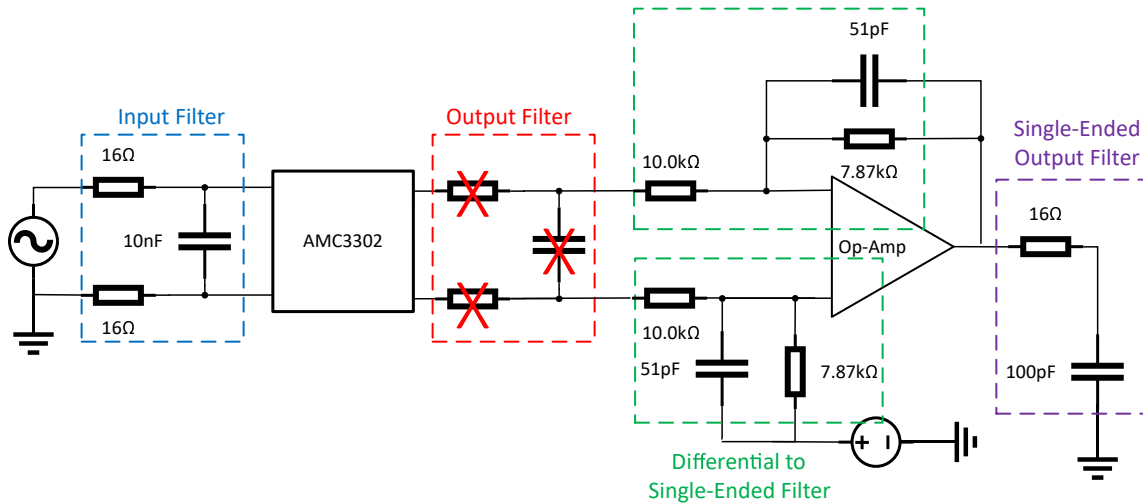


Figure 4-4. AMC-AMP-50A-EVM Filter Diagram

The AMC-AMP-50A-EVM performance can be adjusted among four circuit filters. With each filter, there is a tradeoff between noise and propagation delay. The weaker the filter, the shorter the propagation delay.

- Input Filter:

$$F_C = \frac{1}{2\pi RC} = \frac{1}{2\pi \times 32\Omega \times 10\text{nF}} = 497\text{kHz}$$

- Selecting a shunt resistor with high inductance when measuring a high frequency signal can cause overshoot in AC measurements. Overshoot caused by parasitic inductance can be compensated for with proper design of the differential RC filter. Optimal input filter design is dependent on inductance of resistor and PCB design. An example simulation is shown below for [TINA-TI](#).

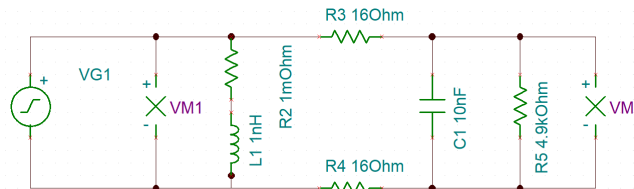


Figure 4-5. Input Filter TINA-TI

- Output Filter (Unpopulated):

$$F_C = \frac{1}{2\pi RC}$$

- Size for additional filtering as desired.

- Differential to Single-Ended Filter:

$$F_C = \frac{1}{2\pi RC} = \frac{1}{2\pi \times 7.87\text{k}\Omega \times 51\text{pF}} = 397\text{kHz}$$

- Sized to allow 340kHz AMC3302 output bandwidth. Modify as needed for bandwidth limitations.

- Single-Ended Output Filter:

$$F_C = \frac{1}{2\pi RC} = \frac{1}{2\pi \times 16\Omega \times 100\text{pF}} = 99.5\text{MHz}$$

- Modify as needed for single-ended output signal.

4.2.3 Thermal Results

The AMC-AMP-50A-EVM is rated for $\pm 50\text{A}$ peak current and $\pm 35\text{A}$ RMS. The temperature rating of the FR4 based PCB used is 180°C . Figure 4-6 and Figure 4-7 demonstrate EVM thermal performance at 35A and 50A respectively. If a system requires lower temperatures, consider adding forced air cooling as demonstrated in Figure 4-8. If further low temperatures are required, consider a larger shunt size for greater heat dissipation as demonstrated in Figure 4-9. Thermal performance additionally depends on final system design and environment.

Photos captured at 25°C ambient temperature and after applying specified current for 2 minutes.

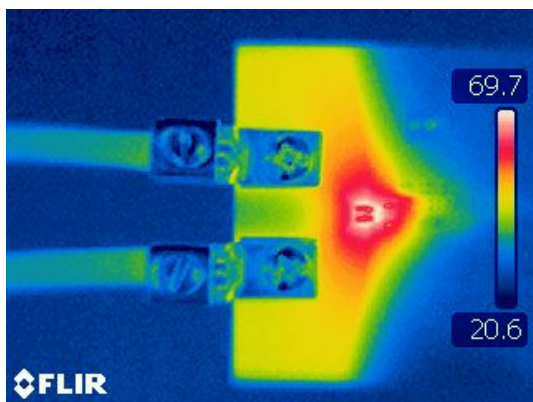


Figure 4-6. Typical Thermal Results: AMC-AMP-50A-EVM at 35A

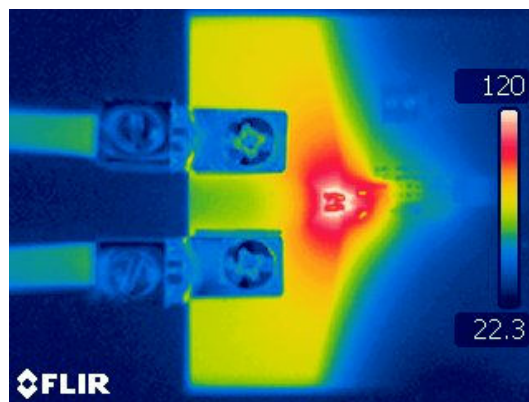


Figure 4-7. Worst-Case Thermal Results: AMC-AMP-50A-EVM at 50A

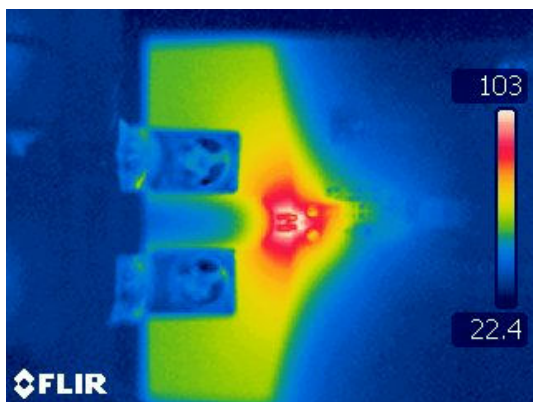


Figure 4-8. Worst-Case Thermal Results With Forced Air Cooling: AMC-AMP-50A-EVM at 50A

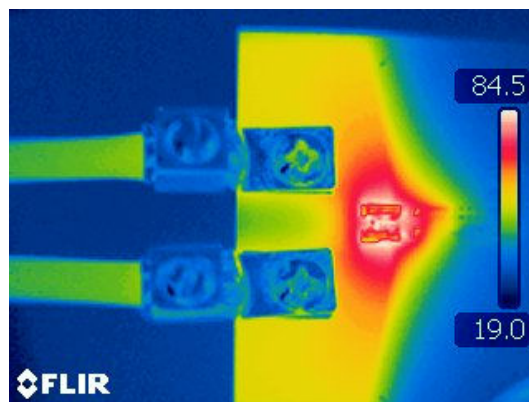


Figure 4-9. Worst-Case Thermal Results With Larger Shunt Resistor Package (Size 2725): AMC-AMP-50A-EVM at 50A

5 Hardware Design Files

5.1 Schematics

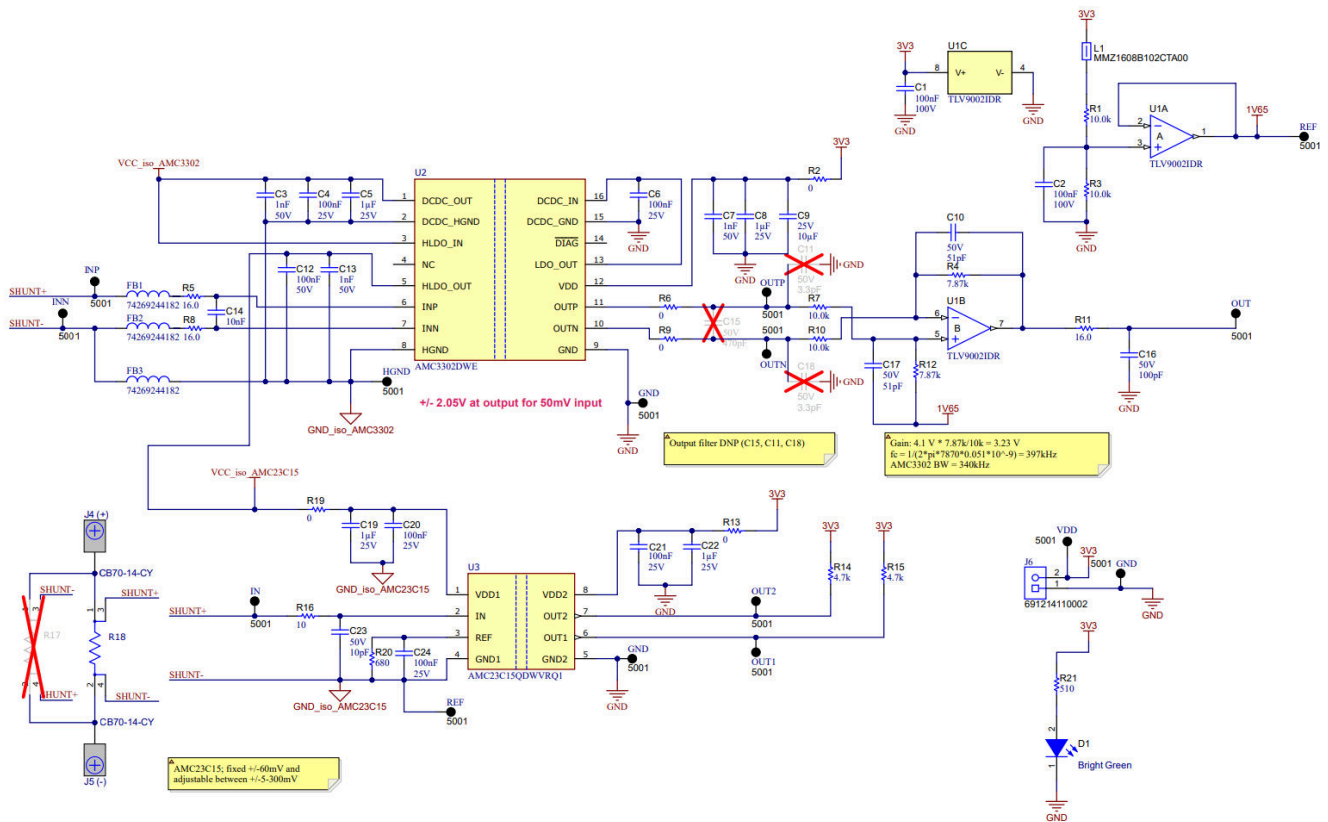


Figure 5-1. AMC-AMP-50A-EVM Schematic

5.2 PCB Layouts

Figure 5-2 and Figure 5-3 show the top and bottom printed circuit board (PCB) drawings of the AMC-AMP-50A-EVM respectively.

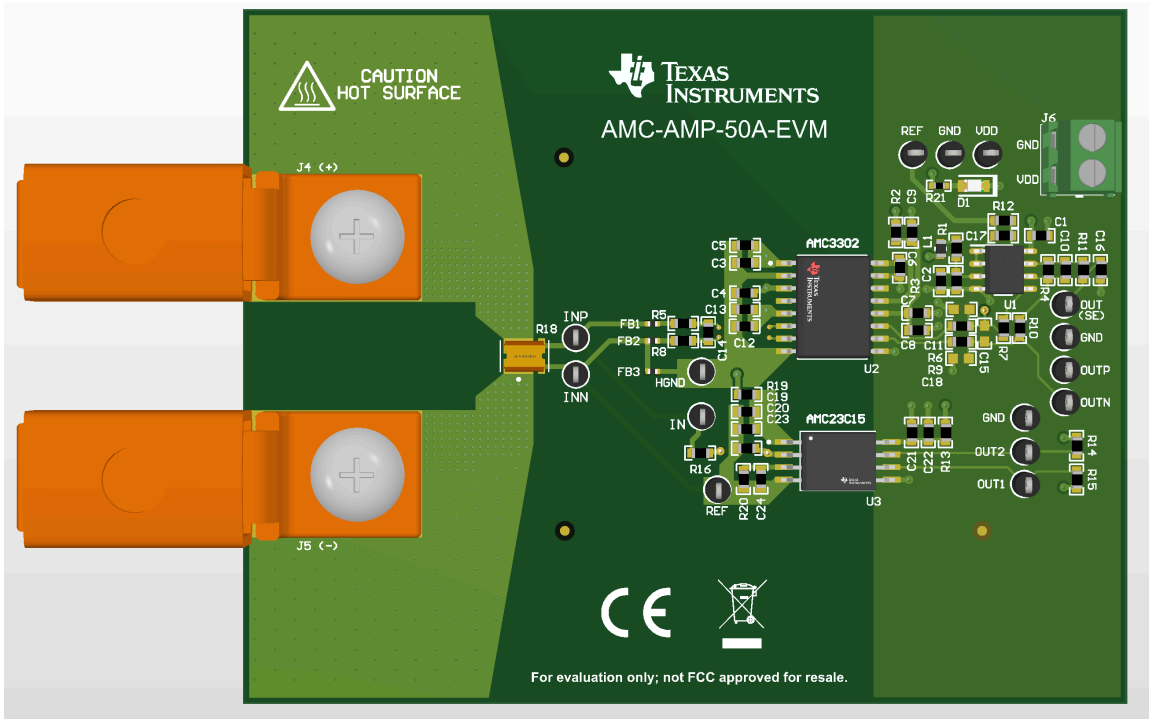


Figure 5-2. AMC-AMP-50A-EVM Top PCB Drawing

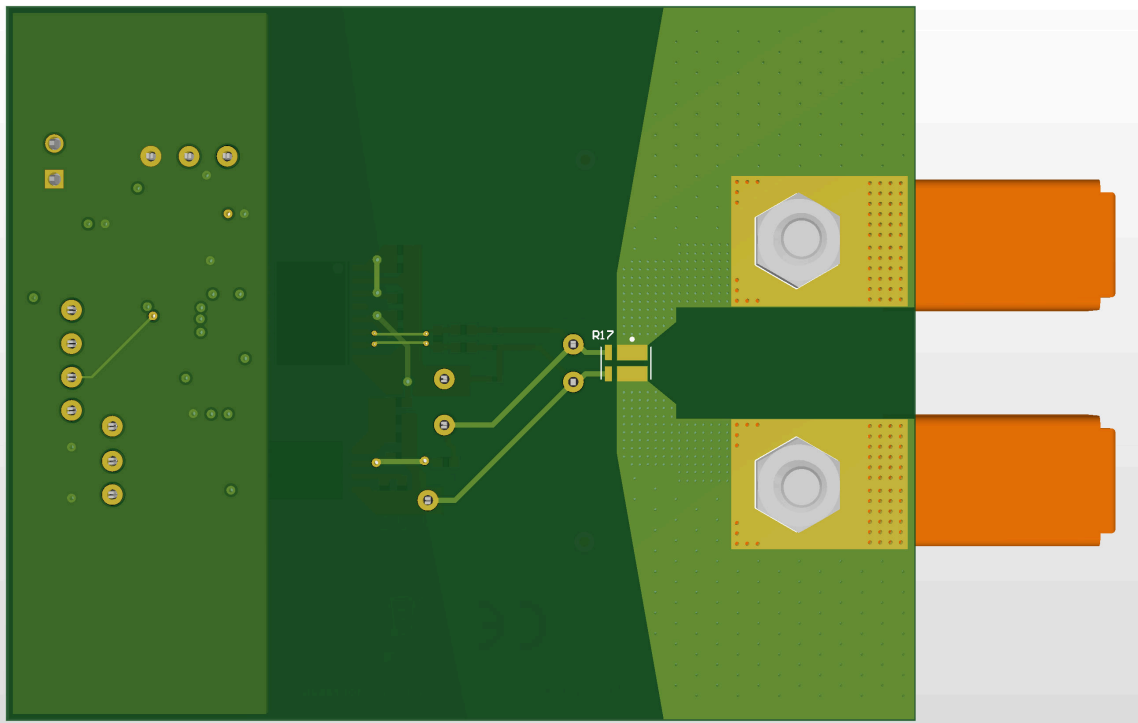


Figure 5-3. AMC-AMP-50A-EVM Bottom PCB Drawing

5.3 Bill of Materials (BOM)

Designator	Description	Manufacturer	Part Number
C1, C2	CAP, CERM, 0.1 uF, 100 V, +/- 10%, X7R, 0603	MuRata	GRM188R72A104KA35J
C3, C7, C13	CAP, CERM, 1000 pF, 50 V, +/- 10%, X7R, 0603	Kemet	C0603C102K5RACTU
C4, C6, C20, C21, C24	CAP, CERM, 0.1 uF, 25 V, +/- 10%, X7R, 0603	AVX	06033C104KAT2A
C5, C8	CAP, CERM, 1 uF, 25 V,+/- 10%, X7R, AEC-Q200 Grade 1, 0603	TDK	CGA3E1X7R1E105K080AC
C9	CAP, CERM, 10 uF, 25 V,+/- 10%, X5R, 0603	MuRata	GRM188R61E106KA73D
C10, C17	CAP, CERM, 51 pF, 50 V, +/- 5%, C0G/NP0, AEC-Q200 Grade 1, 0603	MuRata	GCM1885C1H510JA16D
C12	CAP, CERM, 0.1 uF, 50 V,+/- 10%, X7R, AEC-Q200 Grade 1, 0603	Kemet	C0603C104K5RACAUTO
C14	CAP, CERM, 0.01 uF, 25 V,+/- 10%, X7R, 0603	Presidio Components	SR0603X7R103K1NT95(F)#M123A
C16	CAP, CERM, 100 pF, 50 V,+/- 1%, C0G/NP0, 0603	Kemet	C0603C101F5GACTU
C19, C22	CAP, CERM, 1 uF, 25 V, +/- 10%, X7R, 0603	AVX	06033C105KAT2A
C23	CAP, CERM, 10 pF, 50 V, +/- 5%, C0G/NP0, 0603	Kemet	C0603C100J5GACTU
D1	LED, Bright Green, SMD	Würth Elektronik	150080VS75000
FB1, FB2, FB3	WE-TMSB Tiny Multilayer Suppression Bead, size 0402, 1800Ohm, 0.21A	Würth Elektronik	74269244182
GND, HGND, IN, INN, INP, OUT, OUT1, OUT2, OUTN, OUTP, REF, VDD	Test Point, Miniature, Black, TH	Keystone Electronics	5001
J4 (+), J5 (-)	Terminal 90A Lug	Panduit	CB70-14-CY
J6	Terminal Block, 3.5mm, 2x1, Tin, TH	Würth Elektronik	691214110002
L1	Ferrite Bead, 1000 ohm @ 100 MHz, 0.3 A, 0603	TDK	MMZ1608B102CTA00
LBL1	Thermal Transfer Printable Labels, 0.650" W x 0.200" H - 10,000 per roll	Brady	THT-14-423-10
R1, R3, R7, R10	RES, 10.0 k, 0.1%, 0.1 W, 0603	Yageo	RT0603BRD0710KL
R2, R6, R9, R13, R19	RES, 0, 5%, 0.1 W, 0603	Yageo	RC0603JR-070RL
R4, R12	RES, 7.87 k, 0.1%, 0.1 W, 0603	Yageo	RT0603BRD077K87L
R5, R8, R11	RES, 16.0, 0.5%, 0.1 W, 0603	Yageo	RT0603DRE0716RL
R14, R15	RES, 4.7 k, 5%, 0.1 W, 0603	Yageo	RC0603JR-074K7L
R16	RES 10 OHM 5% 1/10W 0603	Yageo	RC0603JR-0710RL
R18	1 mOhms ±1% 7W Chip Resistor Wide 1612 (3831 Metric), 1216 Current Sense, Moisture Resistant	Isabellenhütte	BVN-M-R001-1.0
R20	RES, 680, 1%, 0.1 W, 0603	Yageo	RC0603FR-07680RL
R21	RES, 510, 5%, 0.1 W, AEC-Q200 Grade 0, 0402	Panasonic	ERJ-2GEJ511X
U1	2-Channel, 1MHz, RRIO, 1.8V to 5.5V Operational Amplifier for Cost-Optimized Systems, D0008A (SOIC-8)	Texas Instruments	TLV9002IDR
U2	High-Precision, ±50-mV Input, Reinforced Isolated Amplifier With Integrated DC/DC Converter	Texas Instruments	AMC3302DWE
U3	Dual, Fast Response, Reinforced Isolated Window Comparator with Adjustable Threshold, SOICW8	Texas Instruments	AMC23C15QDWVRQ1

Designator	Description	Manufacturer	Part Number
N/A	JIS Hex Nut Medium-Strength Zinc-Plated Steel, Class 8, M5 x 0.8 mm Thread	McMaster-Carr	91028A415
N/A	Passivated 18-8 Stainless Steel Pan Head Phillips Screws M5 x 0.8mm Thread, 10mm Long	McMaster-Carr	92000A320

6 Additional Information

6.1 Trademarks

Agilent™ is a trademark of Agilent Technologies, Inc.

ISA-WELD™ is a trademark of Isabellenhütte USA.

All trademarks are the property of their respective owners.

7 Compliance Information

7.1 Compliance and Certifications

8 Related Documentation

- Texas Instruments, [AMC3302 High-Precision, ±50mV Input, Reinforced Isolated Amplifier With Integrated DC/DC Converter](#), data sheet
- Texas Instruments, [AMC23C15 Dual, Fast Response, Reinforced Isolated Window Comparator With Adjustable Threshold](#), data sheet
- Texas Instruments, [TLV900x Low-Power, RRIO, 1MHz Operational Amplifier for Cost-Sensitive Systems](#), data sheet
- Texas Instruments, [Best Practices to Attenuate AMC3301 Family Radiated Emissions EMI](#), application note
- Texas Instruments, [Shunt Resistor Selection for Isolated Data Converters](#), application brief
- Texas Instruments, [Isolated Overcurrent Protection Circuit](#), application brief
- Texas Instruments, [Design Considerations for Isolated Current Sensing](#), analog design journal
- Texas Instruments, [Isolated Current-Sensing Circuit W/ ±250-mV Input Range & Single-Ended Output](#), circuit design
- Isabellenhütte USA, [BVN \(1216\) ISA-WELD™ Precision Resistor](#), data sheet

STANDARD TERMS FOR EVALUATION MODULES

1. *Delivery:* TI delivers TI evaluation boards, kits, or modules, including any accompanying demonstration software, components, and/or documentation which may be provided together or separately (collectively, an "EVM" or "EVMs") to the User ("User") in accordance with the terms set forth herein. User's acceptance of the EVM is expressly subject to the following terms.
 - 1.1 EVMs are intended solely for product or software developers for use in a research and development setting to facilitate feasibility evaluation, experimentation, or scientific analysis of TI semiconductors products. EVMs have no direct function and are not finished products. EVMs shall not be directly or indirectly assembled as a part or subassembly in any finished product. For clarification, any software or software tools provided with the EVM ("Software") shall not be subject to the terms and conditions set forth herein but rather shall be subject to the applicable terms that accompany such Software
 - 1.2 EVMs are not intended for consumer or household use. EVMs may not be sold, sublicensed, leased, rented, loaned, assigned, or otherwise distributed for commercial purposes by Users, in whole or in part, or used in any finished product or production system.
2. *Limited Warranty and Related Remedies/Disclaimers:*
 - 2.1 These terms do not apply to Software. The warranty, if any, for Software is covered in the applicable Software License Agreement.
 - 2.2 TI warrants that the TI EVM will conform to TI's published specifications for ninety (90) days after the date TI delivers such EVM to User. Notwithstanding the foregoing, TI shall not be liable for a nonconforming EVM if (a) the nonconformity was caused by neglect, misuse or mistreatment by an entity other than TI, including improper installation or testing, or for any EVMs that have been altered or modified in any way by an entity other than TI, (b) the nonconformity resulted from User's design, specifications or instructions for such EVMs or improper system design, or (c) User has not paid on time. Testing and other quality control techniques are used to the extent TI deems necessary. TI does not test all parameters of each EVM. User's claims against TI under this Section 2 are void if User fails to notify TI of any apparent defects in the EVMs within ten (10) business days after delivery, or of any hidden defects with ten (10) business days after the defect has been detected.
 - 2.3 TI's sole liability shall be at its option to repair or replace EVMs that fail to conform to the warranty set forth above, or credit User's account for such EVM. TI's liability under this warranty shall be limited to EVMs that are returned during the warranty period to the address designated by TI and that are determined by TI not to conform to such warranty. If TI elects to repair or replace such EVM, TI shall have a reasonable time to repair such EVM or provide replacements. Repaired EVMs shall be warranted for the remainder of the original warranty period. Replaced EVMs shall be warranted for a new full ninety (90) day warranty period.

WARNING

Evaluation Kits are intended solely for use by technically qualified, professional electronics experts who are familiar with the dangers and application risks associated with handling electrical mechanical components, systems, and subsystems.

User shall operate the Evaluation Kit within TI's recommended guidelines and any applicable legal or environmental requirements as well as reasonable and customary safeguards. Failure to set up and/or operate the Evaluation Kit within TI's recommended guidelines may result in personal injury or death or property damage. Proper set up entails following TI's instructions for electrical ratings of interface circuits such as input, output and electrical loads.

NOTE:

EXPOSURE TO ELECTROSTATIC DISCHARGE (ESD) MAY CAUSE DEGRADATION OR FAILURE OF THE EVALUATION KIT; TI RECOMMENDS STORAGE OF THE EVALUATION KIT IN A PROTECTIVE ESD BAG.

3 Regulatory Notices:

3.1 United States

3.1.1 Notice applicable to EVMs not FCC-Approved:

FCC NOTICE: This kit is designed to allow product developers to evaluate electronic components, circuitry, or software associated with the kit to determine whether to incorporate such items in a finished product and software developers to write software applications for use with the end product. This kit is not a finished product and when assembled may not be resold or otherwise marketed unless all required FCC equipment authorizations are first obtained. Operation is subject to the condition that this product not cause harmful interference to licensed radio stations and that this product accept harmful interference. Unless the assembled kit is designed to operate under part 15, part 18 or part 95 of this chapter, the operator of the kit must operate under the authority of an FCC license holder or must secure an experimental authorization under part 5 of this chapter.

3.1.2 For EVMs annotated as FCC – FEDERAL COMMUNICATIONS COMMISSION Part 15 Compliant:

CAUTION

This device complies with part 15 of the FCC Rules. Operation is subject to the following two conditions: (1) This device may not cause harmful interference, and (2) this device must accept any interference received, including interference that may cause undesired operation.

Changes or modifications not expressly approved by the party responsible for compliance could void the user's authority to operate the equipment.

FCC Interference Statement for Class A EVM devices

NOTE: This equipment has been tested and found to comply with the limits for a Class A digital device, pursuant to part 15 of the FCC Rules. These limits are designed to provide reasonable protection against harmful interference when the equipment is operated in a commercial environment. This equipment generates, uses, and can radiate radio frequency energy and, if not installed and used in accordance with the instruction manual, may cause harmful interference to radio communications. Operation of this equipment in a residential area is likely to cause harmful interference in which case the user will be required to correct the interference at his own expense.

FCC Interference Statement for Class B EVM devices

NOTE: This equipment has been tested and found to comply with the limits for a Class B digital device, pursuant to part 15 of the FCC Rules. These limits are designed to provide reasonable protection against harmful interference in a residential installation. This equipment generates, uses and can radiate radio frequency energy and, if not installed and used in accordance with the instructions, may cause harmful interference to radio communications. However, there is no guarantee that interference will not occur in a particular installation. If this equipment does cause harmful interference to radio or television reception, which can be determined by turning the equipment off and on, the user is encouraged to try to correct the interference by one or more of the following measures:

- Reorient or relocate the receiving antenna.
- Increase the separation between the equipment and receiver.
- Connect the equipment into an outlet on a circuit different from that to which the receiver is connected.
- Consult the dealer or an experienced radio/TV technician for help.

3.2 Canada

3.2.1 For EVMs issued with an Industry Canada Certificate of Conformance to RSS-210 or RSS-247

Concerning EVMs Including Radio Transmitters:

This device complies with Industry Canada license-exempt RSSs. Operation is subject to the following two conditions:

(1) this device may not cause interference, and (2) this device must accept any interference, including interference that may cause undesired operation of the device.

Concernant les EVMs avec appareils radio:

Le présent appareil est conforme aux CNR d'Industrie Canada applicables aux appareils radio exempts de licence. L'exploitation est autorisée aux deux conditions suivantes: (1) l'appareil ne doit pas produire de brouillage, et (2) l'utilisateur de l'appareil doit accepter tout brouillage radioélectrique subi, même si le brouillage est susceptible d'en compromettre le fonctionnement.

Concerning EVMs Including Detachable Antennas:

Under Industry Canada regulations, this radio transmitter may only operate using an antenna of a type and maximum (or lesser) gain approved for the transmitter by Industry Canada. To reduce potential radio interference to other users, the antenna type and its gain should be so chosen that the equivalent isotropically radiated power (e.i.r.p.) is not more than that necessary for successful communication. This radio transmitter has been approved by Industry Canada to operate with the antenna types listed in the user guide with the maximum permissible gain and required antenna impedance for each antenna type indicated. Antenna types not included in this list, having a gain greater than the maximum gain indicated for that type, are strictly prohibited for use with this device.

Concernant les EVMs avec antennes détachables

Conformément à la réglementation d'Industrie Canada, le présent émetteur radio peut fonctionner avec une antenne d'un type et d'un gain maximal (ou inférieur) approuvé pour l'émetteur par Industrie Canada. Dans le but de réduire les risques de brouillage radioélectrique à l'intention des autres utilisateurs, il faut choisir le type d'antenne et son gain de sorte que la puissance isotrope rayonnée équivalente (p.i.r.e.) ne dépasse pas l'intensité nécessaire à l'établissement d'une communication satisfaisante. Le présent émetteur radio a été approuvé par Industrie Canada pour fonctionner avec les types d'antenne énumérés dans le manuel d'usage et ayant un gain admissible maximal et l'impédance requise pour chaque type d'antenne. Les types d'antenne non inclus dans cette liste, ou dont le gain est supérieur au gain maximal indiqué, sont strictement interdits pour l'exploitation de l'émetteur.

3.3 Japan

3.3.1 *Notice for EVMs delivered in Japan:* Please see http://www.tij.co.jp/lstds/ti_ja/general/eStore/notice_01.page 日本国内に輸入される評価用キット、ボードについては、次のところをご覧ください。

<https://www.ti.com/ja-jp/legal/notice-for-evaluation-kits-delivered-in-japan.html>

3.3.2 *Notice for Users of EVMs Considered "Radio Frequency Products" in Japan:* EVMs entering Japan may not be certified by TI as conforming to Technical Regulations of Radio Law of Japan.

If User uses EVMs in Japan, not certified to Technical Regulations of Radio Law of Japan, User is required to follow the instructions set forth by Radio Law of Japan, which includes, but is not limited to, the instructions below with respect to EVMs (which for the avoidance of doubt are stated strictly for convenience and should be verified by User):

1. Use EVMs in a shielded room or any other test facility as defined in the notification #173 issued by Ministry of Internal Affairs and Communications on March 28, 2006, based on Sub-section 1.1 of Article 6 of the Ministry's Rule for Enforcement of Radio Law of Japan,
2. Use EVMs only after User obtains the license of Test Radio Station as provided in Radio Law of Japan with respect to EVMs, or
3. Use of EVMs only after User obtains the Technical Regulations Conformity Certification as provided in Radio Law of Japan with respect to EVMs. Also, do not transfer EVMs, unless User gives the same notice above to the transferee. Please note that if User does not follow the instructions above, User will be subject to penalties of Radio Law of Japan.

【無線電波を送信する製品の開発キットをお使いになる際の注意事項】 開発キットの中には技術基準適合証明を受けていないものがあります。技術適合証明を受けていないものご使用に際しては、電波法遵守のため、以下のいずれかの措置を取っていただく必要がありますのでご注意ください。

1. 電波法施行規則第6条第1項第1号に基づく平成18年3月28日総務省告示第173号で定められた電波暗室等の試験設備でご使用いただく。
2. 実験局の免許を取得後ご使用いただく。
3. 技術基準適合証明を取得後ご使用いただく。

なお、本製品は、上記の「ご使用にあたっての注意」を譲渡先、移転先に通知しない限り、譲渡、移転できないものとします。

上記を遵守頂けない場合は、電波法の罰則が適用される可能性があることをご留意ください。日本テキサス・イ

ンスツルメンツ株式会社

東京都新宿区西新宿 6 丁目 2 4 番 1 号

西新宿三井ビル

3.3.3 *Notice for EVMs for Power Line Communication:* Please see http://www.tij.co.jp/lstds/ti_ja/general/eStore/notice_02.page

電力線搬送波通信についての開発キットをお使いになる際の注意事項については、次のところをご覧ください。 <https://www.ti.com/ja-jp/legal/notice-for-evaluation-kits-for-power-line-communication.html>

3.4 European Union

3.4.1 *For EVMs subject to EU Directive 2014/30/EU (Electromagnetic Compatibility Directive):*

This is a class A product intended for use in environments other than domestic environments that are connected to a low-voltage power-supply network that supplies buildings used for domestic purposes. In a domestic environment this product may cause radio interference in which case the user may be required to take adequate measures.

-
4. *EVM Use Restrictions and Warnings:*
 - 4.1 EVMS ARE NOT FOR USE IN FUNCTIONAL SAFETY AND/OR SAFETY CRITICAL EVALUATIONS, INCLUDING BUT NOT LIMITED TO EVALUATIONS OF LIFE SUPPORT APPLICATIONS.
 - 4.2 User must read and apply the user guide and other available documentation provided by TI regarding the EVM prior to handling or using the EVM, including without limitation any warning or restriction notices. The notices contain important safety information related to, for example, temperatures and voltages.
 - 4.3 *Safety-Related Warnings and Restrictions:*
 - 4.3.1 User shall operate the EVM within TI's recommended specifications and environmental considerations stated in the user guide, other available documentation provided by TI, and any other applicable requirements and employ reasonable and customary safeguards. Exceeding the specified performance ratings and specifications (including but not limited to input and output voltage, current, power, and environmental ranges) for the EVM may cause personal injury or death, or property damage. If there are questions concerning performance ratings and specifications, User should contact a TI field representative prior to connecting interface electronics including input power and intended loads. Any loads applied outside of the specified output range may also result in unintended and/or inaccurate operation and/or possible permanent damage to the EVM and/or interface electronics. Please consult the EVM user guide prior to connecting any load to the EVM output. If there is uncertainty as to the load specification, please contact a TI field representative. During normal operation, even with the inputs and outputs kept within the specified allowable ranges, some circuit components may have elevated case temperatures. These components include but are not limited to linear regulators, switching transistors, pass transistors, current sense resistors, and heat sinks, which can be identified using the information in the associated documentation. When working with the EVM, please be aware that the EVM may become very warm.
 - 4.3.2 EVMs are intended solely for use by technically qualified, professional electronics experts who are familiar with the dangers and application risks associated with handling electrical mechanical components, systems, and subsystems. User assumes all responsibility and liability for proper and safe handling and use of the EVM by User or its employees, affiliates, contractors or designees. User assumes all responsibility and liability to ensure that any interfaces (electronic and/or mechanical) between the EVM and any human body are designed with suitable isolation and means to safely limit accessible leakage currents to minimize the risk of electrical shock hazard. User assumes all responsibility and liability for any improper or unsafe handling or use of the EVM by User or its employees, affiliates, contractors or designees.
 - 4.4 User assumes all responsibility and liability to determine whether the EVM is subject to any applicable international, federal, state, or local laws and regulations related to User's handling and use of the EVM and, if applicable, User assumes all responsibility and liability for compliance in all respects with such laws and regulations. User assumes all responsibility and liability for proper disposal and recycling of the EVM consistent with all applicable international, federal, state, and local requirements.
 5. *Accuracy of Information:* To the extent TI provides information on the availability and function of EVMs, TI attempts to be as accurate as possible. However, TI does not warrant the accuracy of EVM descriptions, EVM availability or other information on its websites as accurate, complete, reliable, current, or error-free.
 6. *Disclaimers:*
 - 6.1 EXCEPT AS SET FORTH ABOVE, EVMS AND ANY MATERIALS PROVIDED WITH THE EVM (INCLUDING, BUT NOT LIMITED TO, REFERENCE DESIGNS AND THE DESIGN OF THE EVM ITSELF) ARE PROVIDED "AS IS" AND "WITH ALL FAULTS." TI DISCLAIMS ALL OTHER WARRANTIES, EXPRESS OR IMPLIED, REGARDING SUCH ITEMS, INCLUDING BUT NOT LIMITED TO ANY EPIDEMIC FAILURE WARRANTY OR IMPLIED WARRANTIES OF MERCHANTABILITY OR FITNESS FOR A PARTICULAR PURPOSE OR NON-INFRINGEMENT OF ANY THIRD PARTY PATENTS, COPYRIGHTS, TRADE SECRETS OR OTHER INTELLECTUAL PROPERTY RIGHTS.
 - 6.2 EXCEPT FOR THE LIMITED RIGHT TO USE THE EVM SET FORTH HEREIN, NOTHING IN THESE TERMS SHALL BE CONSTRUED AS GRANTING OR CONFERRING ANY RIGHTS BY LICENSE, PATENT, OR ANY OTHER INDUSTRIAL OR INTELLECTUAL PROPERTY RIGHT OF TI, ITS SUPPLIERS/LICENSORS OR ANY OTHER THIRD PARTY, TO USE THE EVM IN ANY FINISHED END-USER OR READY-TO-USE FINAL PRODUCT, OR FOR ANY INVENTION, DISCOVERY OR IMPROVEMENT, REGARDLESS OF WHEN MADE, CONCEIVED OR ACQUIRED.
 7. *USER'S INDEMNITY OBLIGATIONS AND REPRESENTATIONS.* USER WILL DEFEND, INDEMNIFY AND HOLD TI, ITS LICENSORS AND THEIR REPRESENTATIVES HARMLESS FROM AND AGAINST ANY AND ALL CLAIMS, DAMAGES, LOSSES, EXPENSES, COSTS AND LIABILITIES (COLLECTIVELY, "CLAIMS") ARISING OUT OF OR IN CONNECTION WITH ANY HANDLING OR USE OF THE EVM THAT IS NOT IN ACCORDANCE WITH THESE TERMS. THIS OBLIGATION SHALL APPLY WHETHER CLAIMS ARISE UNDER STATUTE, REGULATION, OR THE LAW OF TORT, CONTRACT OR ANY OTHER LEGAL THEORY, AND EVEN IF THE EVM FAILS TO PERFORM AS DESCRIBED OR EXPECTED.
-

8. *Limitations on Damages and Liability:*

8.1 *General Limitations.* IN NO EVENT SHALL TI BE LIABLE FOR ANY SPECIAL, COLLATERAL, INDIRECT, PUNITIVE, INCIDENTAL, CONSEQUENTIAL, OR EXEMPLARY DAMAGES IN CONNECTION WITH OR ARISING OUT OF THESE TERMS OR THE USE OF THE EVMS , REGARDLESS OF WHETHER TI HAS BEEN ADVISED OF THE POSSIBILITY OF SUCH DAMAGES. EXCLUDED DAMAGES INCLUDE, BUT ARE NOT LIMITED TO, COST OF REMOVAL OR REINSTALLATION, ANCILLARY COSTS TO THE PROCUREMENT OF SUBSTITUTE GOODS OR SERVICES, RETESTING, OUTSIDE COMPUTER TIME, LABOR COSTS, LOSS OF GOODWILL, LOSS OF PROFITS, LOSS OF SAVINGS, LOSS OF USE, LOSS OF DATA, OR BUSINESS INTERRUPTION. NO CLAIM, SUIT OR ACTION SHALL BE BROUGHT AGAINST TI MORE THAN TWELVE (12) MONTHS AFTER THE EVENT THAT GAVE RISE TO THE CAUSE OF ACTION HAS OCCURRED.

8.2 *Specific Limitations.* IN NO EVENT SHALL TI'S AGGREGATE LIABILITY FROM ANY USE OF AN EVM PROVIDED HEREUNDER, INCLUDING FROM ANY WARRANTY, INDEMNITY OR OTHER OBLIGATION ARISING OUT OF OR IN CONNECTION WITH THESE TERMS, , EXCEED THE TOTAL AMOUNT PAID TO TI BY USER FOR THE PARTICULAR EVM(S) AT ISSUE DURING THE PRIOR TWELVE (12) MONTHS WITH RESPECT TO WHICH LOSSES OR DAMAGES ARE CLAIMED. THE EXISTENCE OF MORE THAN ONE CLAIM SHALL NOT ENLARGE OR EXTEND THIS LIMIT.

9. *Return Policy.* Except as otherwise provided, TI does not offer any refunds, returns, or exchanges. Furthermore, no return of EVM(s) will be accepted if the package has been opened and no return of the EVM(s) will be accepted if they are damaged or otherwise not in a resalable condition. If User feels it has been incorrectly charged for the EVM(s) it ordered or that delivery violates the applicable order, User should contact TI. All refunds will be made in full within thirty (30) working days from the return of the components(s), excluding any postage or packaging costs.

10. *Governing Law:* These terms and conditions shall be governed by and interpreted in accordance with the laws of the State of Texas, without reference to conflict-of-laws principles. User agrees that non-exclusive jurisdiction for any dispute arising out of or relating to these terms and conditions lies within courts located in the State of Texas and consents to venue in Dallas County, Texas. Notwithstanding the foregoing, any judgment may be enforced in any United States or foreign court, and TI may seek injunctive relief in any United States or foreign court.

Mailing Address: Texas Instruments, Post Office Box 655303, Dallas, Texas 75265
Copyright © 2023, Texas Instruments Incorporated

IMPORTANT NOTICE AND DISCLAIMER

TI PROVIDES TECHNICAL AND RELIABILITY DATA (INCLUDING DATA SHEETS), DESIGN RESOURCES (INCLUDING REFERENCE DESIGNS), APPLICATION OR OTHER DESIGN ADVICE, WEB TOOLS, SAFETY INFORMATION, AND OTHER RESOURCES "AS IS" AND WITH ALL FAULTS, AND DISCLAIMS ALL WARRANTIES, EXPRESS AND IMPLIED, INCLUDING WITHOUT LIMITATION ANY IMPLIED WARRANTIES OF MERCHANTABILITY, FITNESS FOR A PARTICULAR PURPOSE OR NON-INFRINGEMENT OF THIRD PARTY INTELLECTUAL PROPERTY RIGHTS.

These resources are intended for skilled developers designing with TI products. You are solely responsible for (1) selecting the appropriate TI products for your application, (2) designing, validating and testing your application, and (3) ensuring your application meets applicable standards, and any other safety, security, regulatory or other requirements.

These resources are subject to change without notice. TI grants you permission to use these resources only for development of an application that uses the TI products described in the resource. Other reproduction and display of these resources is prohibited. No license is granted to any other TI intellectual property right or to any third party intellectual property right. TI disclaims responsibility for, and you will fully indemnify TI and its representatives against, any claims, damages, costs, losses, and liabilities arising out of your use of these resources.

TI's products are provided subject to [TI's Terms of Sale](#) or other applicable terms available either on [ti.com](https://www.ti.com) or provided in conjunction with such TI products. TI's provision of these resources does not expand or otherwise alter TI's applicable warranties or warranty disclaimers for TI products.

TI objects to and rejects any additional or different terms you may have proposed.

Mailing Address: Texas Instruments, Post Office Box 655303, Dallas, Texas 75265

Copyright © 2025, Texas Instruments Incorporated