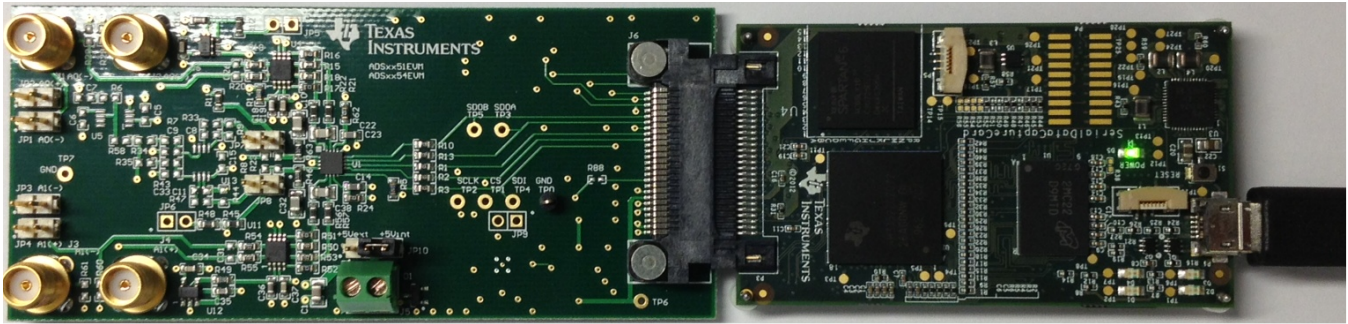


## **ADS7851EVM-PDK**



**ADS7851EVM-PDK**

This user's guide describes the characteristics, operation and use of the ADS7851EVM performance demonstration kit (PDK). This kit is an evaluation platform for the ADS7851, dual-channel, 14-bit, simultaneous sampling, successive approximation register (SAR) analog-to-digital converter (ADC) that supports fully-differential analog inputs. This EVM eases the evaluation of the ADS7851 device with hardware and software for computer connectivity through a universal serial bus (USB). This user's guide includes complete circuit descriptions, schematic diagram, and bill of materials.

Throughout this document, the terms demonstration kit, evaluation board, evaluation module are synonymous with the ADS7851EVM-PDK.

The following related documents are available through the Texas Instruments web site at <http://www.ti.com>.

### Related Documentation

Device	Literature Number
<a href="#">ADS7851</a>	<a href="#">SBAS587</a>
<a href="#">OPA376</a>	<a href="#">SBOS432</a>
<a href="#">THS4521</a>	<a href="#">SBOSF458</a>
<a href="#">TPS3836E18</a>	<a href="#">SLVS292</a>
<a href="#">TPS7A4700</a>	<a href="#">SBVS204</a>
<a href="#">REG71055</a>	<a href="#">SBAS221</a>

Windows XP, Windows 7, Windows 8, Excel are registered trademarks of Microsoft Corporation.  
SPI is a trademark of Motorola Inc.  
I<sup>2</sup>C is a trademark of NXP Semiconductors.  
All other trademarks are the property of their respective owners.

## Contents

1	Overview .....	3
2	EVM Analog Interface .....	3
3	Digital Interface .....	7
4	Power Supplies .....	8
5	ADS7851EVM-PDK Initial Setup .....	9
6	ADS7851EVM-PDK Kit Operation .....	15
7	Bill of Materials, PCB Layout, and Schematics.....	24

## List of Figures

1	ADS7851EVM Analog Interface Input Connections .....	4
2	THS4521 Fully-Differential Amplifier Driver .....	5
3	REFOUT_A and REFOUT_B Reference Connections .....	6
4	ADS7851EVM Default Jumper Settings .....	9
5	Bottom View of SDCC Board with microSD Memory Card Installed .....	10
6	Connecting ADS7851EVM Board to SDCC Controller Board .....	11
7	LED Indicators on the SDCC Board .....	11
8	Welcome Screen and Destination Directory Screens .....	12
9	License Agreement and Start Installation Screens .....	12
10	Progress Bar and Installation Complete Screens .....	13
11	Windows 7 Driver Installation Warning .....	13
12	SDCC Device Driver Installation .....	14
13	SDCC Device Driver Completion.....	14
14	GUI Display Prompt.....	15
15	Open the <i>ADS7851EVM Settings</i> Page.....	16
16	<i>ADS7851EVM Settings</i> Page.....	16
17	ADS7851EVM Analog Inputs description on the GUI .....	17
18	Open the <i>Data Monitor</i> page on the GUI.....	17
19	Data Monitor Page .....	18
20	Saving Data to a Text File .....	19
21	FFT Performance Analysis Page.....	20
22	Histogram Analysis Page.....	22
23	Open the <i>GUI Settings</i> page.....	23
24	Set Capture Mode to <i>SDCC Interface</i> While Using the EVM Hardware .....	23
25	ADS7851EVM PCB: Top Layer .....	26
26	ADS7851EVM PCB: Ground Layer .....	26
27	ADS7851EVM PCB: Power Layer .....	27
28	ADS7851EVM PCB: Bottom Layer .....	27

## List of Tables

1	JP1 to JP4: Analog Interface Connections .....	4
2	SMA Analog Interface Connections .....	4
3	Connector J6 Pinout.....	7
4	Power-Supply Jumpers .....	8
5	Default Jumper Configuration .....	9
6	ADS7851EVM Bill of Materials .....	24

## 1 Overview

The ADS7851EVM-PDK is a platform for evaluation of the ADS7851 analog-to-digital converter (ADC). The evaluation kit combines the ADS7851EVM board with a serial data capture card (SDCC) controller board. The SDCC controller board consists of a TI Sitara embedded microcontroller ([AM3352](#)) and a field programmable gate array (FPGA). The SDCC controller board provides an interface from the EVM to the computer through a universal serial bus (USB) port. The included software communicates with the SDCC controller board platform, and the SDCC board provides the power and digital signals used to communicate with the ADS7851EVM board. These demonstration kits include the ADS7851EVM board, the SDCC controller board, a microSD memory card, and an A-to-micro-B USB cable.

### 1.1 ADS7851EVM Features

- Contains support circuitry as a design example to match ADC performance
- 3.3-V slave serial peripheral interface (SPI™)
- Onboard 5-V analog supply
- Onboard [THS4521](#) (200-MHz bandwidth, 1-mA quiescent current) ADC input drivers

#### ADS7851EVM-PDK Features

- USB port for computer interfacing
- Easy-to-use evaluation software for Windows XP®, Windows 7®, Windows 8® operating systems
- Data collection to text files
- Built-in analysis tools including scope, FFT, and histogram displays
- Complete control of board settings

## 2 EVM Analog Interface

The ADS7851 is a dual-channel, simultaneous-sampling ADC that supports fully-differential analog inputs. Each channel of the ADS7851 uses a THS4521 fully-differential amplifier to drive the differential inputs of the ADC. The ADS7851EVM is designed for easy interfacing to multiple analog sources. SMA connectors allow the EVM to have input signals connected through coaxial cables. In addition, header connectors JP1 through JP4 provide a convenient way to connect input signals. All analog inputs are buffered by THS4521 high-speed, fully differential amplifier in order to properly drive the ADS7851 ADC inputs.

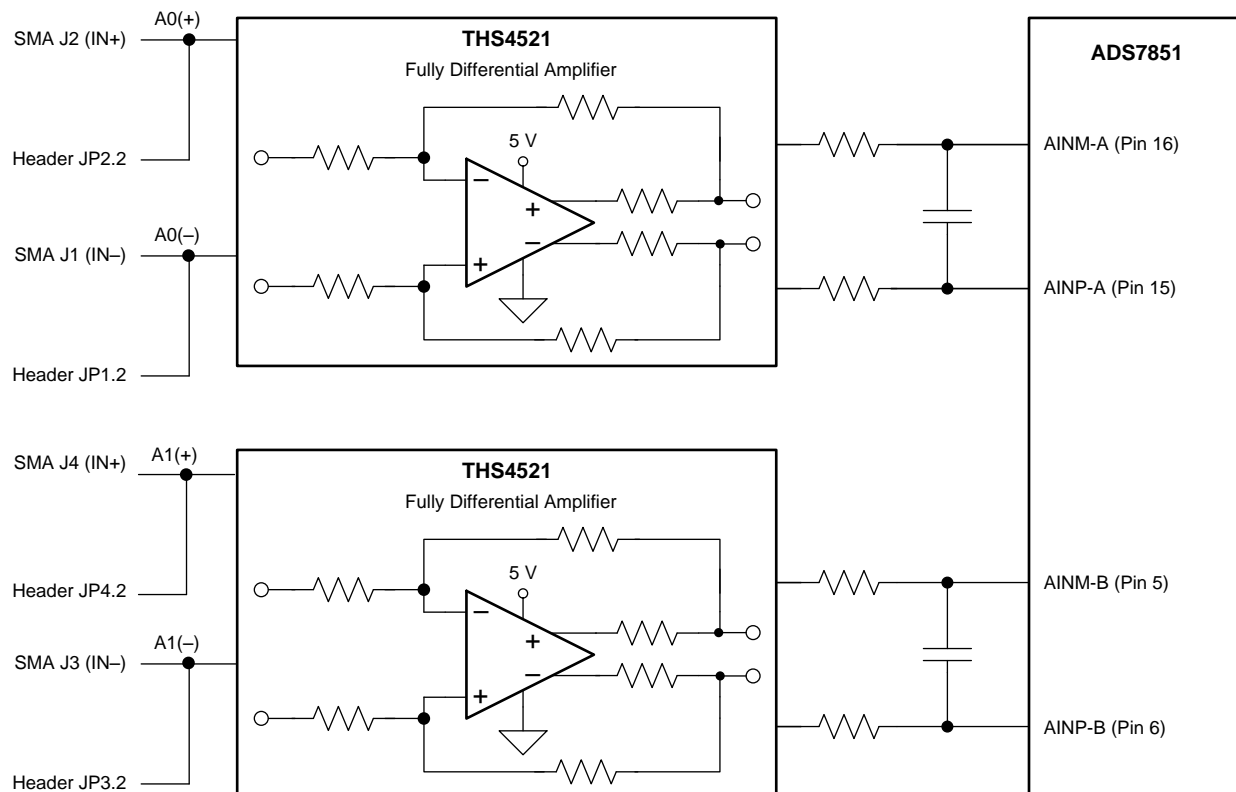

**Figure 1. ADS7851EVM Analog Interface Input Connections**

Table 1 summarizes the JP1 through JP4 analog interface connectors.

**Table 1. JP1 to JP4: Analog Interface Connections**

Terminal Number	Signal	Description
JP1.2	A0(-)	CHA negative differential input. This terminal can be grounded for single-ended signals.
JP2.2	A0(+)	CHA positive differential input or input for single-ended signals.
JP3.2	A1(-)	CHB negative differential input. This terminal can be grounded for single-ended signals.
JP4.2	A1(+)	CHB positive differential input or input for single-ended signals.

Table 2 lists the SMA analog inputs.

**Table 2. SMA Analog Interface Connections**

Terminal Number	Signal	Description
J1	A0(-)	CHA negative differential input. This SMA connector can be grounded by shunting JP1 terminal 1 and JP1 terminal 2 for single-ended signals.
J2	A0(+)	CHA positive differential input or input for single-ended signals.
J3	A1(-)	CHB negative differential input. This SMA connector can be grounded by shunting JP3 terminal 1 and JP3 terminal 2 for single-ended signals.
J4	A1(+)	CHB positive differential input or input for single-ended signals.



## 2.1 Analog Input Range

The ADS7851 dual simultaneous ADC supports fully-differential analog input signals on both channels. Each input terminal swings between 0 V to twice the reference voltage. Thus, AINP\_A and AINM\_B can individually swing between 0 V and  $2 \times V_{ref\_A}$ , whereas AINP\_B and AINM\_B can individually swing between 0 V and  $2 \times V_{ref\_B}$ . Therefore, the analog input full-scale range (FSR) for each ADC is four times the reference voltage ( $\pm 2 \times V_{ref}$ ).

The ADS7851EVM incorporates two THS4521 fully-differential amplifiers to drive the ADC inputs. The fully-differential amplifiers shift the signal to the appropriate common-mode voltage level. Figure 2 shows an example where a differential input signal with a common-mode voltage of 0 V is applied to the inputs of the THS4521. The THS4521 shifts the signal to the required common-mode voltage of  $FSR / 2$ . Because the THS4521 is powered by a 5-V supply, the input signals must be limited to a differential voltage from  $-4.3$  V to  $4.3$  V to avoid saturating the amplifier output.

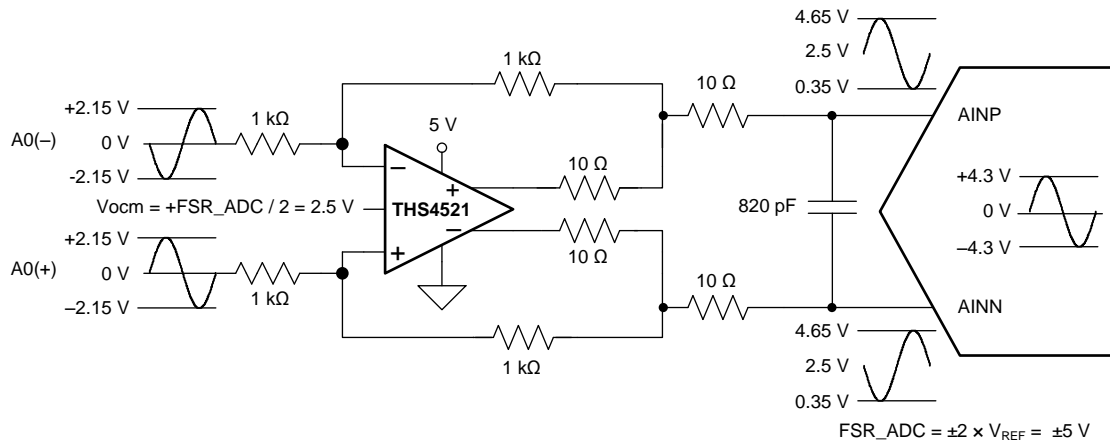


Figure 2. THS4521 Fully-Differential Amplifier Driver



### 3 Digital Interface

Socket strip connector J6 provides the digital I/O connections between the ADS7851EVM board and the SDCC board.

[Section 3](#) summarizes the pinout for connector J6.

**Table 3. Connector J6 Pinout**

Terminal Number	Signal	Description
J6.2, J6.10, J6.15, J6.16, J6.18	GND	Ground connections
J6.4	EVM PRESENT	EVM present, active low
J6.11, J6.12	I <sup>2</sup> C™ bus	I <sup>2</sup> C bus; used only used to program the U7 EEPROM on the EVM board
J6.13	DVDD	3.3-V digital supply from SDCC controller board
J6.34	CS	Chip select, active low
J6.36	SCLK	Serial interface clock
J6.38	SDI	Serial data input
J6.40	SDO_A	Serial data output for channel A
J6.42	SDO_B	Serial data output for channel B

#### 3.1 Serial Peripheral Interface (SPI)

The ADS7851 digital output is available in SPI-compatible format, which makes interfacing with microprocessors, digital signal processors (DSPs), and FPGAs easy. The ADS7851EVM offers 47-Ω resistors between the SPI signals and connector J6 to aid with signal integrity. Typically, in high-speed SPI communication, fast signal edges can cause overshoot; these 47-Ω resistors slow down the signal edges in order to minimize signal overshoot.

#### 3.2 I<sup>2</sup>C Bus for Onboard EEPROM

The ADS7851EVM has an I<sup>2</sup>C bus to communicate with the onboard EEPROM that records the board name and assembly date. It is not used in any form by the ADS7851 converter.

## 4 Power Supplies

The analog portion of the ADS7851EVM-PDK requires a 5-V supply. The ADS7851EVM-PDK is configured at the factory using the onboard regulated analog 5-V supply (+VA); and an onboard 3.3-V digital supply. Alternatively, set the AVDD analog supply voltage by connecting an external power source through two-terminal connector J5. [Table 4](#) lists the configuration details for P3.

**Table 4. Power-Supply Jumpers**

Terminal Number	Position	Function
JP10	Shunt 2-3 (default)	Onboard 5-V AVDD analog supply selected
	Shunt 1-2	External 5-V AVDD connected through two-terminal block J5
JP9	N/A	JP9 not installed

### CAUTION

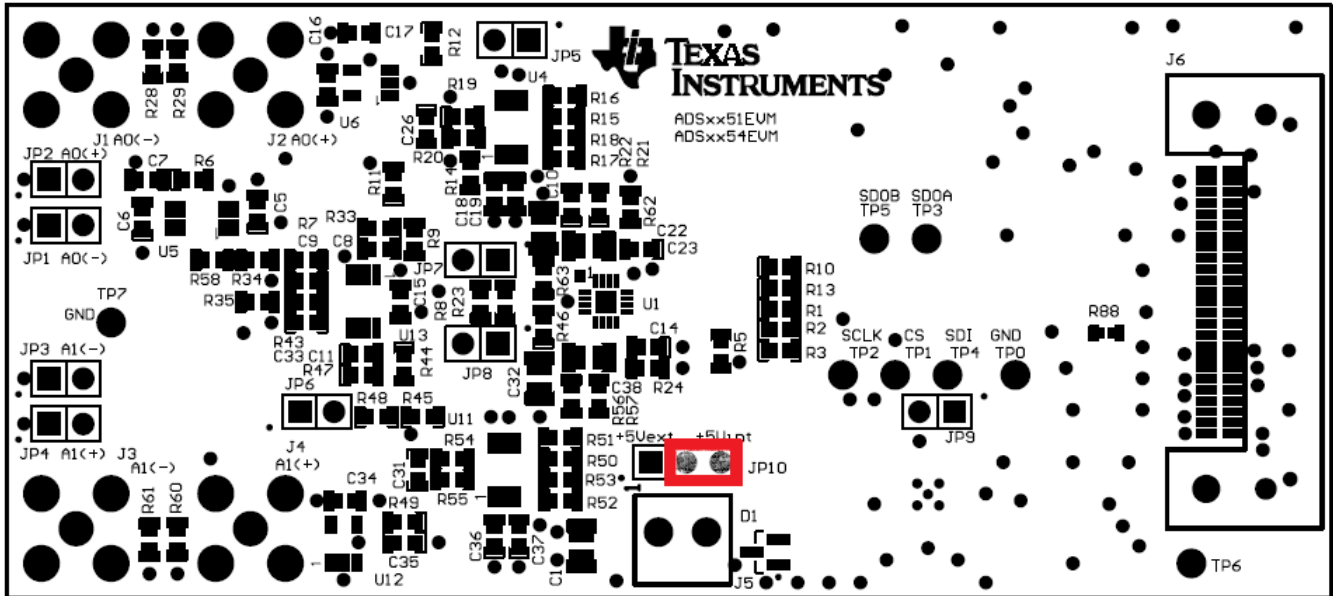
The external AVDD supply applied to external two-terminal connector J5 must not exceed 5.5 V or device damage may occur. The external AVDD supply must be in the range of 5.0 V to 5.5 V for proper ADS7851EVM operation.

## 5 ADS7851EVM-PDK Initial Setup

This section presents the steps required to set up the ADS7851EVM-PDK kit before operation.

### 5.1 Default Jumper Settings

A silkscreen plot detailing the default jumper settings is shown in [Figure 4](#). [Table 5](#) explains the configuration for these jumpers.



**Figure 4. ADS7851EVM Default Jumper Settings**

**Table 5. Default Jumper Configuration**

Terminal Number	Default Position	Switch Description
JP1	Open	JP1.2 header connector to A0(-)
JP2	Open	JP2.2 header connector to A0(+)
JP3	Open	JP3.2 header connector to A1(-)
JP4	Open	JP4.2 header connector to A1(+)
JP5	N/A	JP5 is not installed on printed circuit board (PCB)
JP6	N/A	JP6 is not installed on PCB
JP7	Open	ADS7851 REFOUT_A internal reference source output
JP8	Open	ADS7851 REFOUT_B internal reference source output
JP9	N/A	JP9 is not Installed on PCB
JP10	Short 2-3 or short 1-2	Short 2-3 selects onboard regulated AVDD supply; short 1-2 selects external AVDD through J5

## 5.2 Software Installation

This section presents the steps required to install the software. [Section 6](#) explains how to operate the software to acquire data.

---

**NOTE:** Ensure the microSD memory card included in the kit is installed in the microSD socket (P6) on the back of the SDCC board before connecting the EVM to the PC. Otherwise, as a result of improper boot up, Windows cannot recognize the ADS7851EVM-PDK as a connected device.

---

Complete the following steps to install the software:

- Step 1. Install the microSD memory card on the SDCC controller board.
- Step 2. Verify jumpers are in the factory-default position and connect the hardware.
- Step 3. Install the ADS7851EVM-PDK software.
- Step 4. Complete the SDCC device driver installation.

Each task is described in the following subsections.

### 5.2.1 Install the microSD Memory Card on the SDCC Controller Board

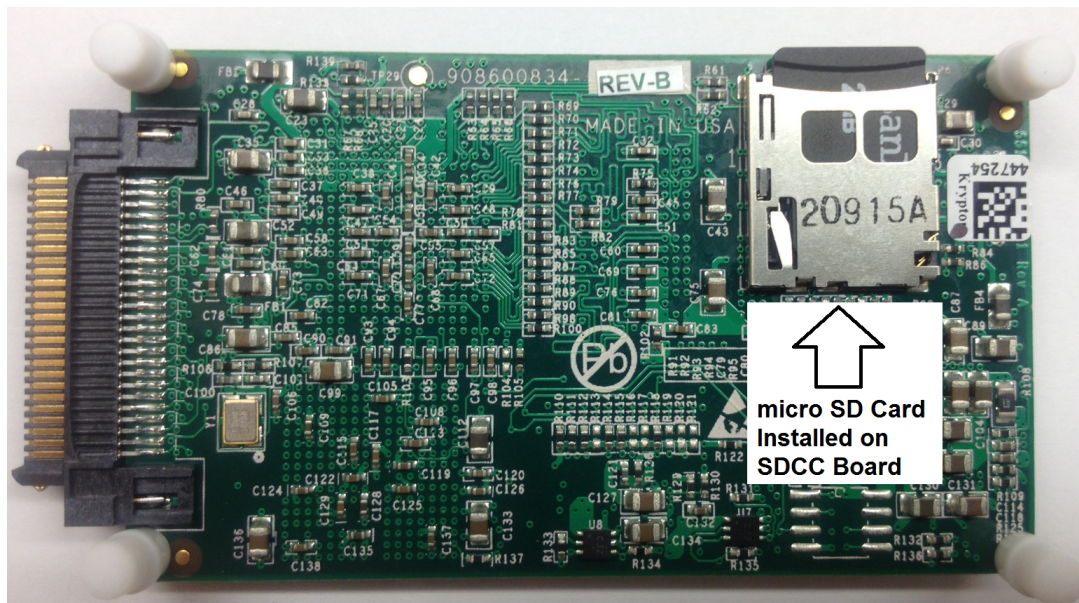
The ADS7851EVM-PDK includes a microSD memory card that contains the EVM software and SDCC controller board firmware required for the EVM operation.

---

**NOTE:** Ensure the microSD memory card that contains the software is installed in the microSD socket (P6) on the back of the SDCC board.

[Figure 5](#) shows the bottom view of the SDCC controller board with the microSD card installed.

---



**Figure 5. Bottom View of SDCC Board with microSD Memory Card Installed**

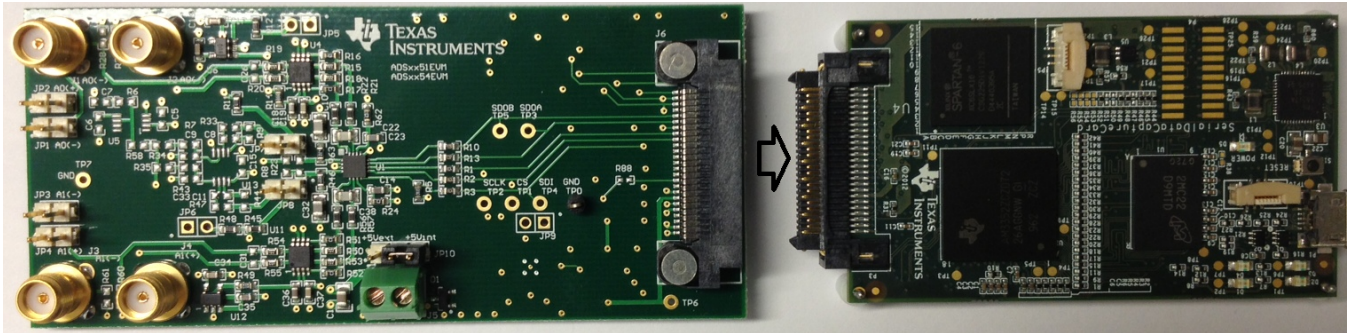
The microSD memory card is formatted at the factory with the necessary firmware files for the SDCC controller board to boot properly. In addition to the SDCC firmware files (app and MLO files), the microSD memory card contains the ADS7851EVM-PDK software installation files inside the *ADS7851 EVM V#.#.#* folder. *<V#.#.#>* refers to the installation software version number, and increments with software installer releases.



### 5.2.2 Verify Jumpers are in the Factory-Default Position and Connect the Hardware

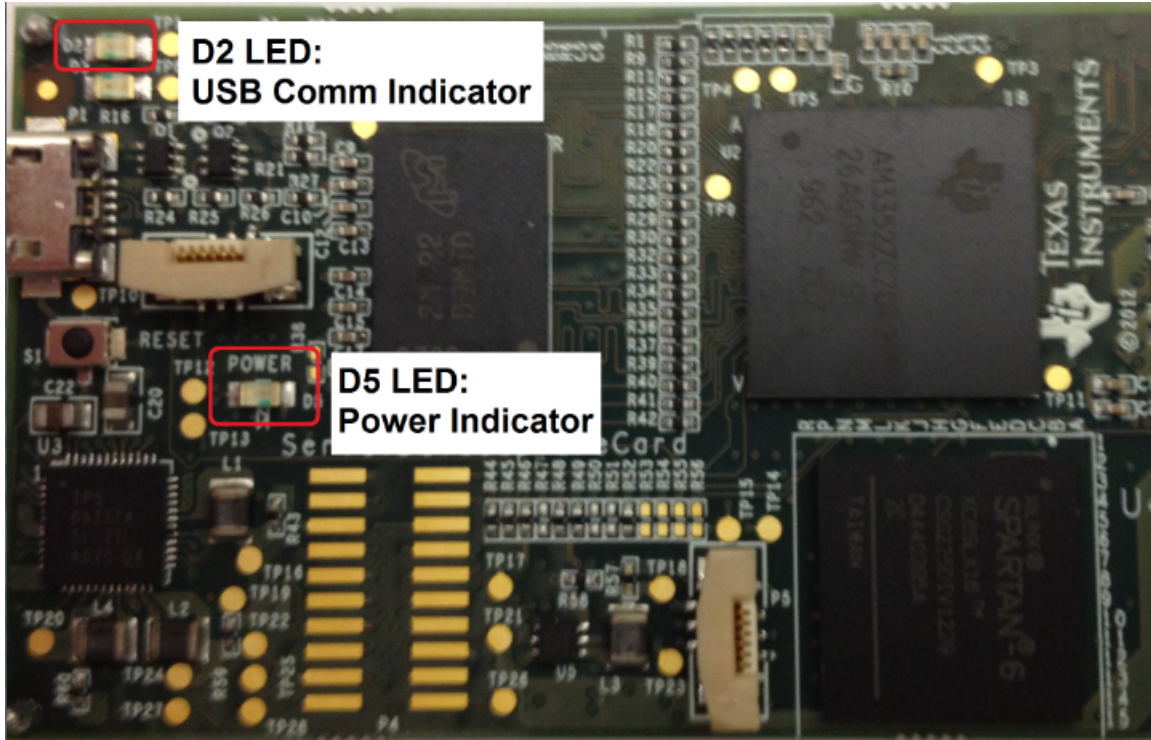
The ADS7851EVM-PDK includes both the ADS7851EVM and the SDCC controller board; however, the devices are shipped unconnected. Follow these steps to verify that ADS7851EVM-PDK kit is configured and connected properly.

- Step 1. Verify the microSD card is installed on the back of the SDCC board, as shown in [Figure 5](#).
- Step 2. Verify the ADS7851EVM jumpers are configured as shown in [Figure 4](#).
- Step 3. Connect the ADS7851EVM board to the SDCC controller board as [Figure 6](#) illustrates.



**Figure 6. Connecting ADS7851EVM Board to SDCC Controller Board**

- Step 4. Connect the SDCC controller board to the PC through the micro USB cable.
- Step 5. Verify that the LED D5 *Power Good* indicator is illuminated. Wait approximately ten seconds and verify that diode D2 blinks, indicating that USB communication with the host PC is functioning properly. [Figure 7](#) shows the location of the LED indicators in the SDCC controller board.



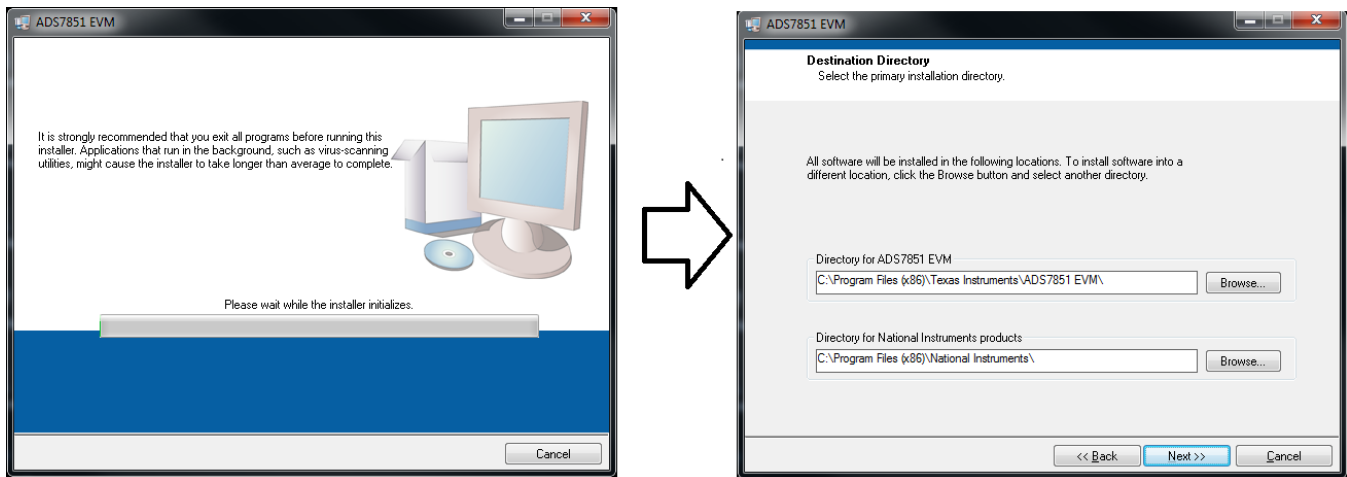
**Figure 7. LED Indicators on the SDCC Board**



### 5.2.3 Install the ADS7851EVM-PDK Software

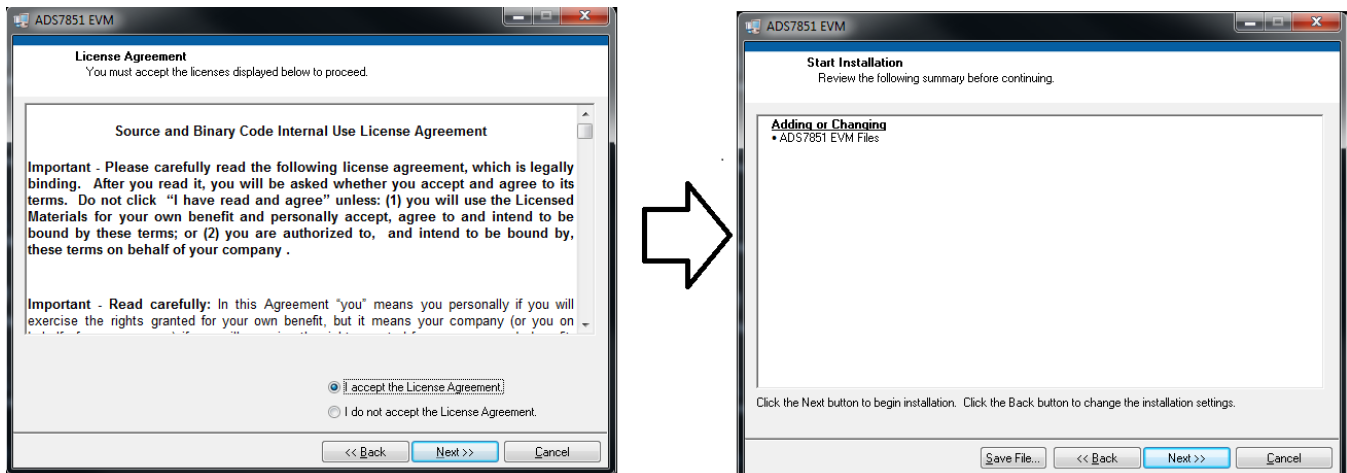
The ADS7851 EVM V#.#.# software must be installed on the PC. This software supports the ADS7851EVM-PDK. The user must have administrator privileges to install the EVM software. The following steps list the directions to install the software.

1. Open Windows explorer and find the microSD memory card in the browser as a storage device.
2. Navigate to the ...*ADS7851 EVM Vx.x.x\Volume1* folder.
3. Run the installer by double-clicking the file *setup.exe*. This action installs the EVM GUI software and the required and SDCC device driver components.
4. After the installer begins, a welcome screen displays. Click *Next* to continue.
5. A prompt appears with the destination directory; select the default directory under: ...*Program Files(x86)\Texas Instruments\ADS7851evm\*.



**Figure 8. Welcome Screen and Destination Directory Screens**

6. One or more software license agreements appear. Select *I Accept the License Agreement* and click *Next*.
7. The *Start Installation* screen appears. Click *Next*.



**Figure 9. License Agreement and Start Installation Screens**

8. A progress bar appears; this step takes a few minutes.
9. The progress bar is followed by an installation complete notice.

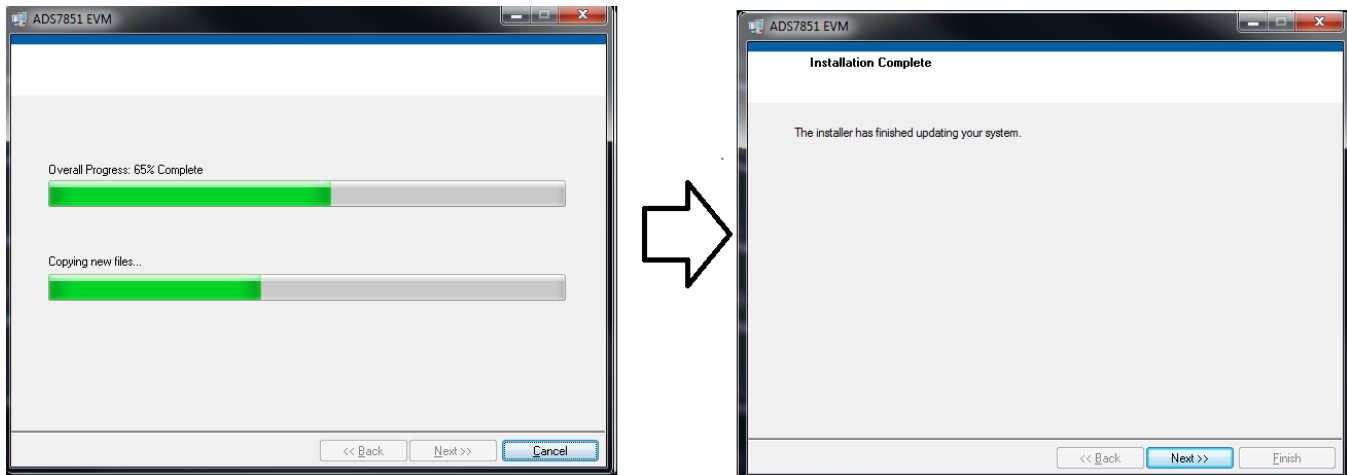


Figure 10. Progress Bar and Installation Complete Screens

#### 5.2.4 Complete the SDCC Device Driver Installation

During installation of the SDCC device driver, a prompt may appear with the Windows security message shown in Figure 11. Select *Install this driver software anyway* to install the driver required for proper operation of the software. The drivers contained within the installers are safe for installation to your system.

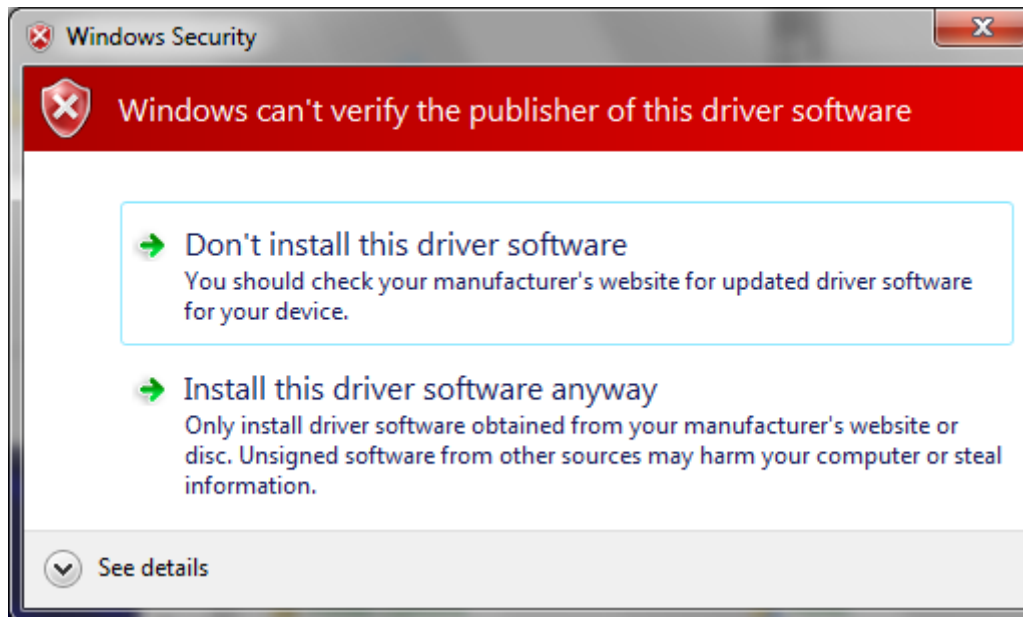


Figure 11. Windows 7 Driver Installation Warning

---

**NOTE:** Driver installation prompts do not appear if the SDCC device driver has been installed on your system previously.

---

The following steps describe how to install the SDCC device driver.

- Step 1. Immediately after the ADS7851 EVM software installation is complete, prompts appear to install the SDCC device driver, as shown in [Figure 12](#) and [Figure 13](#)
- Step 2. A computer restart may be required to finish the software installation. If prompted, restart the PC to complete the installation.



Figure 12. SDCC Device Driver Installation

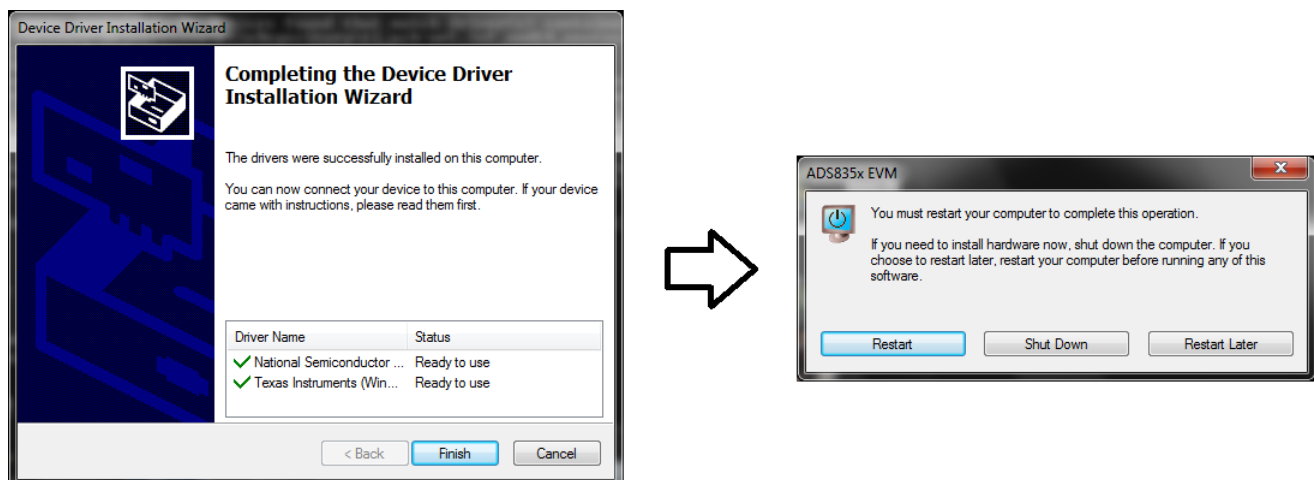


Figure 13. SDCC Device Driver Completion

## 6 ADS7851EVM-PDK Kit Operation

This section describes how to use ADS7851EVM-PDK and the ADS7851EVM software to configure the EVM and acquire data.

### 6.1 About the SDCC Controller Board

The SDCC controller board provides the USB interface between the PC and the ADS7851EVM. The controller board is designed around the AM335x processor, a USB 2.0 high-speed capability, 32-bit ARM core. The SDCC controller board incorporates an onboard FPGA subsystem and 256MB of onboard DDR SRAM memory.

The SDCC controller board is not sold as a development board, and it is not available separately. TI cannot offer support for the SDCC controller board except as part of this EVM kit.

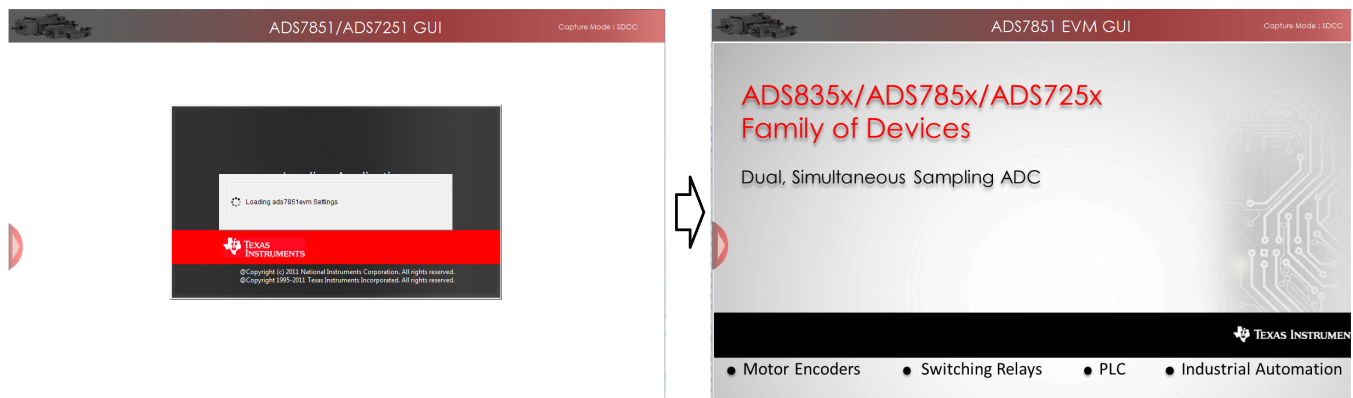
### 6.2 Loading the ADS7851EVM-PDK Software

The ADS7851 EVM software (this software also supports the ADS7851EVM-PDK) provides control over the settings of the ADS7851. Adjust the ADS7851EVM settings when the EVM is not acquiring data. During acquisition, all controls are disabled and settings cannot be changed.

Settings on the ADS7851EVM correspond to settings described in the [ADS7851 product data sheet](http://www.ti.com) (available for download at <http://www.ti.com>); see the product data sheet for details.

To load the *ADS7851 EVM* software, follow these steps:

- Step 1. Make sure the EVM kit is configured and powered up as explained in [Section 5](#).
- Step 2. Start the ADS7851 EVM software. Go to *Start* → *All Programs* → *Texas Instruments* → *ADS7851 EVM* and click *ADS7851 EVM* to run the software.
- Step 3. Verify that the software detects the ADS7851EVM. The GUI identifies the EVM hardware that is connected to the controller board and displays *Loading the ADS7851evm Settings*. After the settings are loaded, *ADS7851EVM GUI* displays at the top of the GUI screen, as shown in [Figure 14](#).

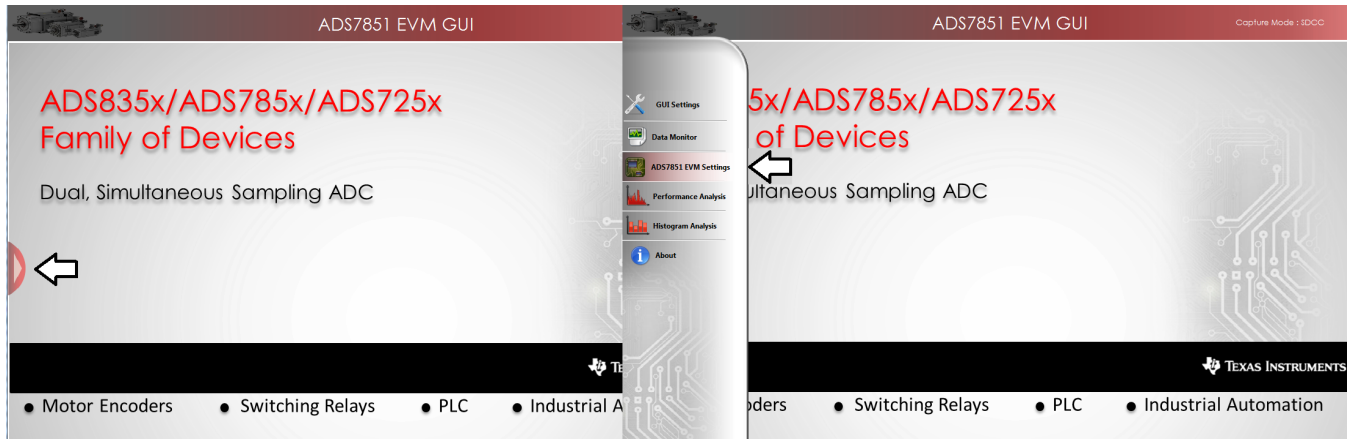


**Figure 14. GUI Display Prompt**

### 6.3 ADS7851EVM Settings

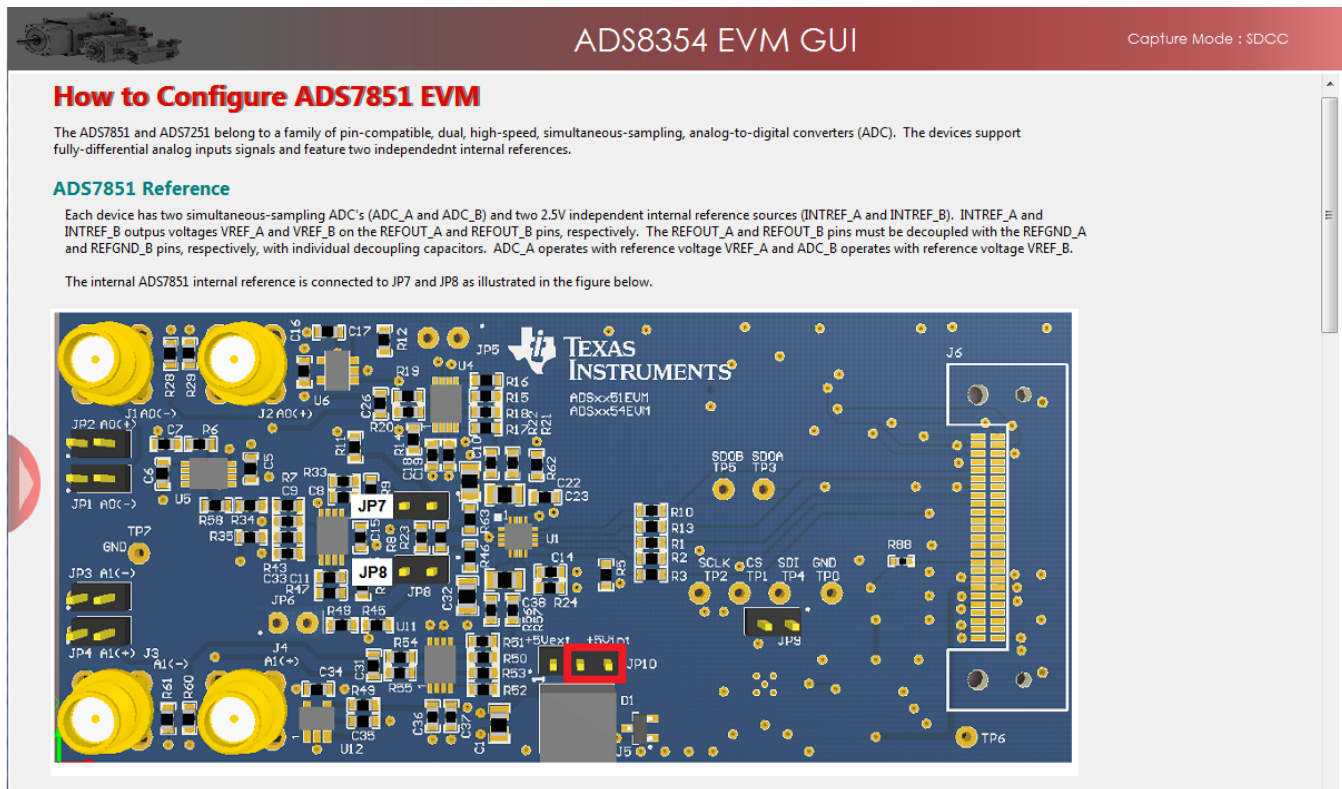
Configure the ADS7851EVM for evaluation. The *ADS7851EVM Settings* page explains in detail the analog input connections available on the evaluation board. In order to configure the EVM analog input connections, follow these steps:

1. Load the *ADS7851EVM Settings* page in the GUI. Hover the cursor over the red arrow at the left-center side of the GUI screen; a menu with different GUI pages appears. Click on *ADS7851 EVM Settings*, as shown in [Figure 15](#).



**Figure 15. Open the ADS7851EVM Settings Page**

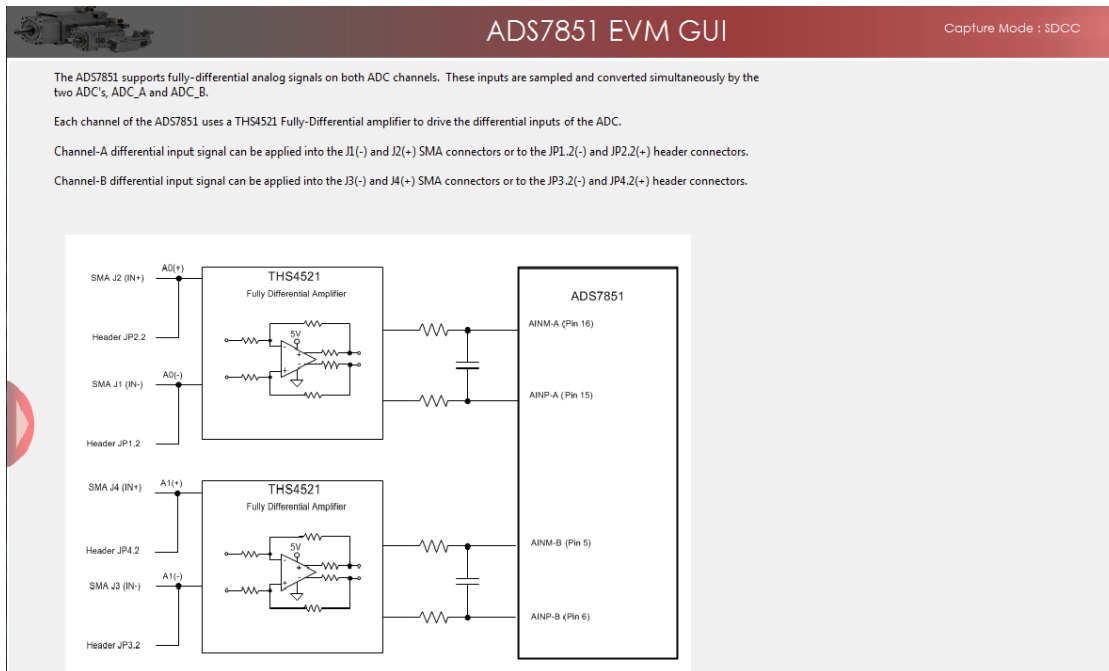
2. The ADS7851 device incorporates two internal individual 2.5-V reference sources. The reference sources generate voltages  $V_{ref\_A}$  and  $V_{ref\_B}$  on terminals REFOUT\_A and REFOUT\_B, respectively. The reference output voltages  $V_{ref\_A}$  and  $V_{ref\_B}$  are available on jumpers JP7 and JP8. [Figure 16](#) shows the *ADS7851EVM Settings* page of the GUI.



**Figure 16. ADS7851EVM Settings Page**



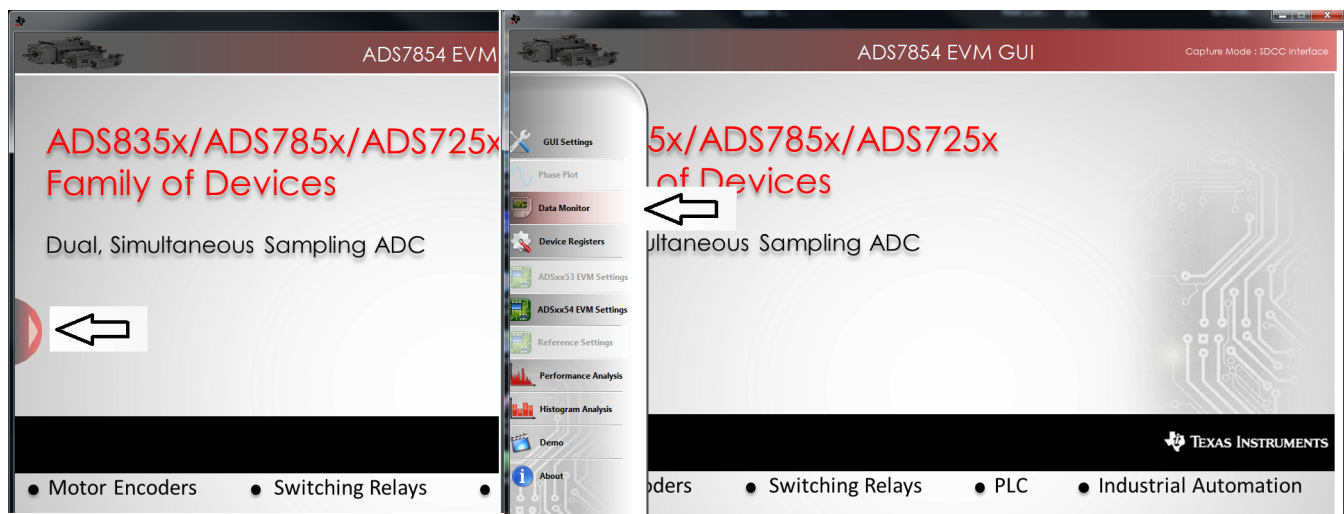
3. Scroll down in the *ADS7851EVM Settings* page and find the *ADS7851 Analog Inputs* connections description on the GUI. **Figure 17** shows the input connections description on the *ADS7851EVM Settings* page of the GUI. The channel A differential input signal can be applied into the J1(-) and J2(+) SMA connectors or to the JP1.2(-) and JP2.2(+) header connectors. The channel B differential input signal can be applied into the J3(-) and J4(+) SMA connectors or to the JP3.2(-) and JP4.2(+) header connectors.



**Figure 17. ADS7851EVM Analog Inputs description on the GUI**

#### 6.4 Capturing Data with the ADS7851EVM-PDK

Access the *Data Monitor* page in the GUI to monitor data acquired by the ADS7851. This GUI page displays the acquired data versus time. To access the *Data Monitor* page, hover the cursor over the red arrow at the left center side of the GUI screen; a menu with different GUI pages appear. Click on the *Data Monitor* option in the menu, as shown in **Figure 18**



**Figure 18. Open the *Data Monitor* page on the GUI**

Figure 19 shows the *Data Monitor* page of the EVM GUI. Configure the device sampling rate and capture settings by using the *Capture Settings* portion of the *Data Monitor* page. The change in configuration settings are executed immediately after pressing the *Configure Device* button. The following list describes the different options available on the *Data Monitor* page.

**# of Samples**— This option is used to select the number of samples captured in a block.

The number of samples captured in a block are contiguous. The drop-down menu is used to select a data block in the range of 1024 samples to 1,048,576 samples per channel. This control provides a drop-down list for values restricted to  $2^n$ , where  $n$  is an integer.

**SCLK**— This control sets the clock frequency used by the SPI interface to capture data.

By configuring the SCLK frequency, the data rate of the ADS7851 is configured. The ADS8351EVM-PDK software supports SCLK frequencies of 27 MHz, 24 MHz, 20 MHz, and 16.2 MHz. These SCLK frequencies correspond to data rates of 1.5 MSPS, 1.333 MSPS, and 1.111 MSPS, and 900 kSPS respectively.

**Device Status**— This panel shows the current clock frequency and data rate of the ADS7851.

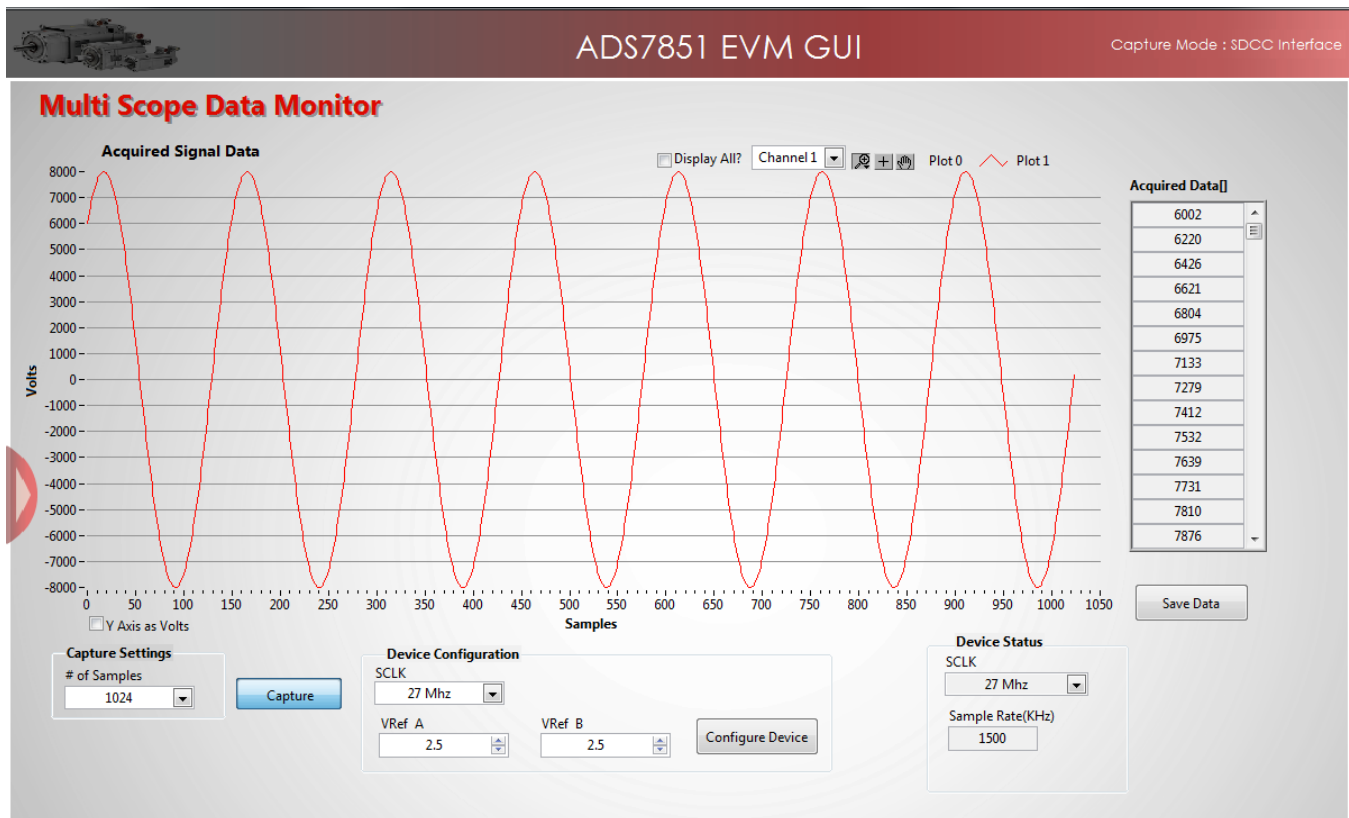


Figure 19. Data Monitor Page



### 6.4.1 Data Collection to Text Files

The *Data Monitor* page of the GUI allows data to be saved in a tab-delimited text file format that can be imported into Excel®, or other spreadsheet software tools. The text file contains the raw ADC data of both channel A and channel B in decimal data format. Information such as the device name, date and time, the sampling frequency, and number of samples of the data record are also stored. In order to save any data captured by the EVM, click on the *Save Data* button and specify the file path and file name of the data file, as shown in [Figure 20](#).

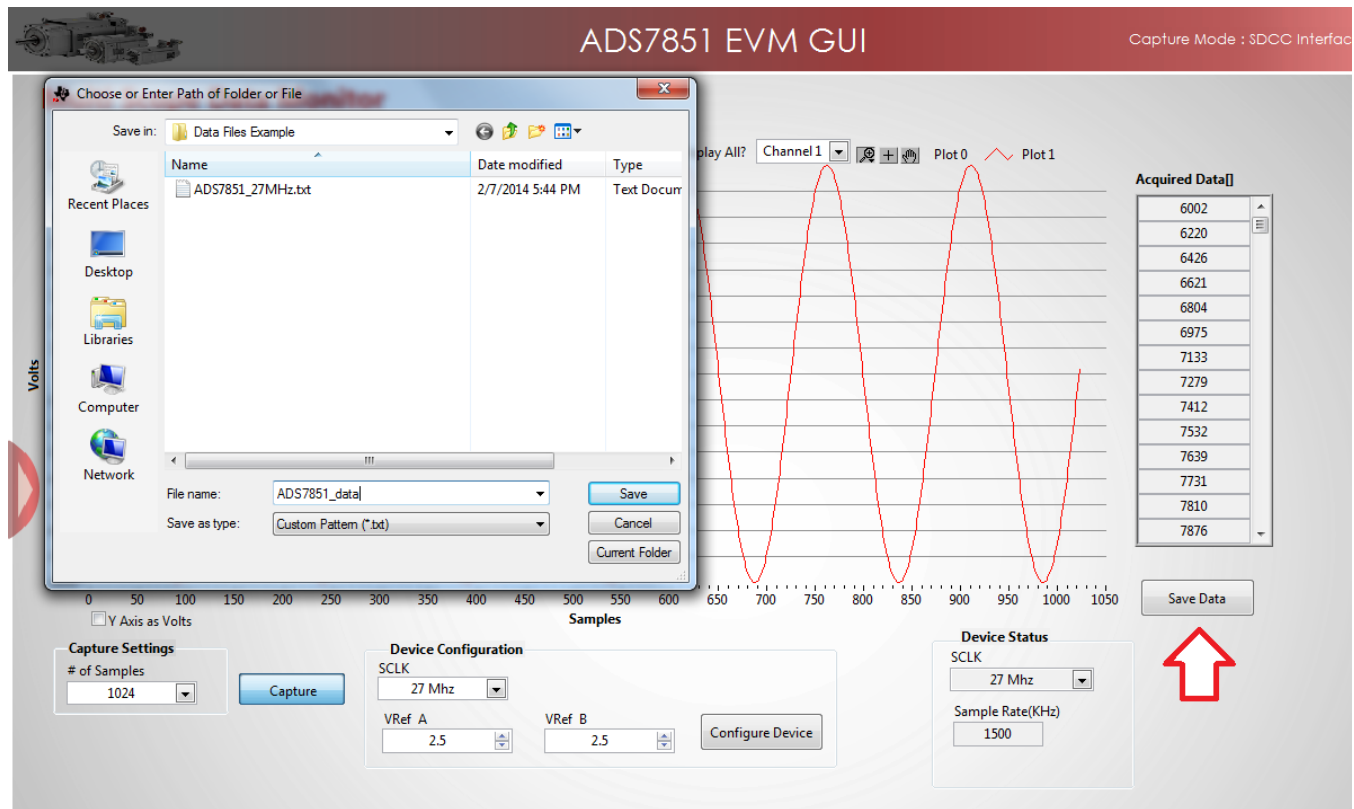


Figure 20. Saving Data to a Text File

## 6.5 FFT Analysis

The *Performance Analysis* page in the GUI performs the fast fourier transform (FFT) of the captured data, and displays the resulting frequency domain plots of channel A and channel B of the ADS7851. This page also calculates key ADC dynamic performance parameters, such as signal-to-noise ratio (SNR), total harmonic distortion (THD), signal-to-noise and distortion ratio (SINAD), and spurious-free dynamic range (SFDR). Figure 21 shows the FFT performance analysis display. The FFT calculated parameters are shown on the right side of the display.

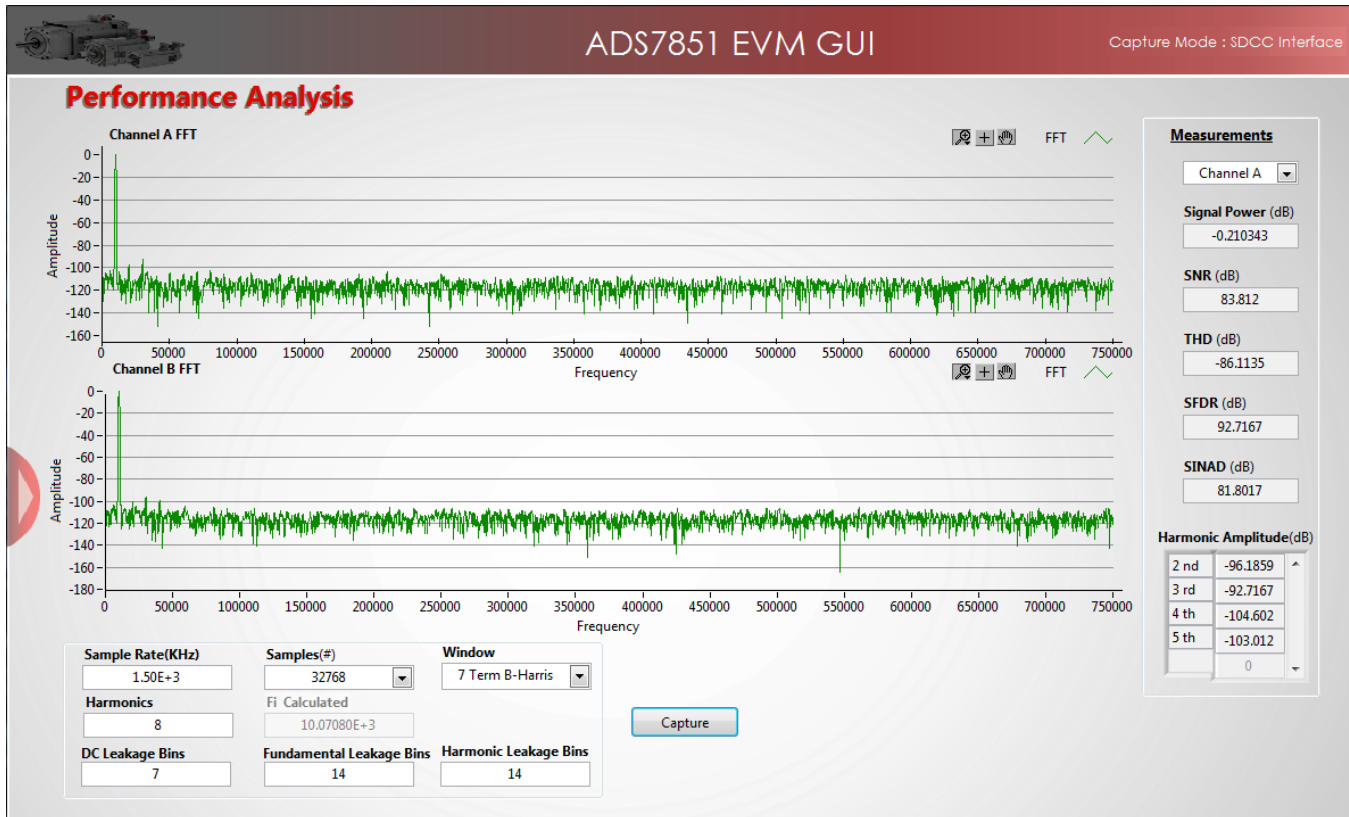


Figure 21. FFT Performance Analysis Page

### 6.5.1 FFT Analysis Settings and Controls

**Sample Rate (kHz)**— This field indicates the sampling frequency of the ADC data (kHz).

**Samples (#)**— The FFT requires a time domain record with a number of samples that is a power of 2. The Samples (#) drop-down menu provides a list of values that satisfy this requirement.

**Fi Calculated**— This field displays the frequency of the largest amplitude input signal computed from the FFT data, typically the fundamental frequency.

**Window**— The window function is a mathematical function that reduces the signal to zero at the end points of the data block.

In applications where coherent sampling cannot be achieved, a window-weighting function can be applied to the data to minimize spectral leakage. The following options are available:

- None (no window weighting function applied; use for coherent data)
- Hanning
- Hamming
- Blackman-Harris
- Exact Blackman
- Blackman
- Flat Top
- 4-Term Blackman-Harris
- 7-Term Blackman-Harris
- Low Sidelobe

For a more thorough discussion of windowing, refer to IEEE1241-2000.

**Harmonics**— This field sets the number of harmonics that are included in the FFT performance calculations.

**Leakage Bins**— These fields provide for the removal of the unwanted frequency bins that may be the result of noncoherent data sampling.

Set the *Fundamental Leakage Bins* and *Harmonic Leakage Bins* fields to the number of adjacent bins on either side of the fundamental or harmonic frequencies to include the main frequency power. The *DC Leakage Bins* field allows the number of frequency bins that are a result of the dc portion of the measurement to be excluded from the calculations.

## 6.6 Histogram Analysis

Histogram testing is commonly used when characterizing ADCs. A histogram is merely a count of the number of times a code has occurred in a particular data set. The *Histogram Analysis* page of the GUI creates a histogram of the data of the acquired data set and displays it. Figure 22 shows the *Histogram Analysis* page of the GUI.

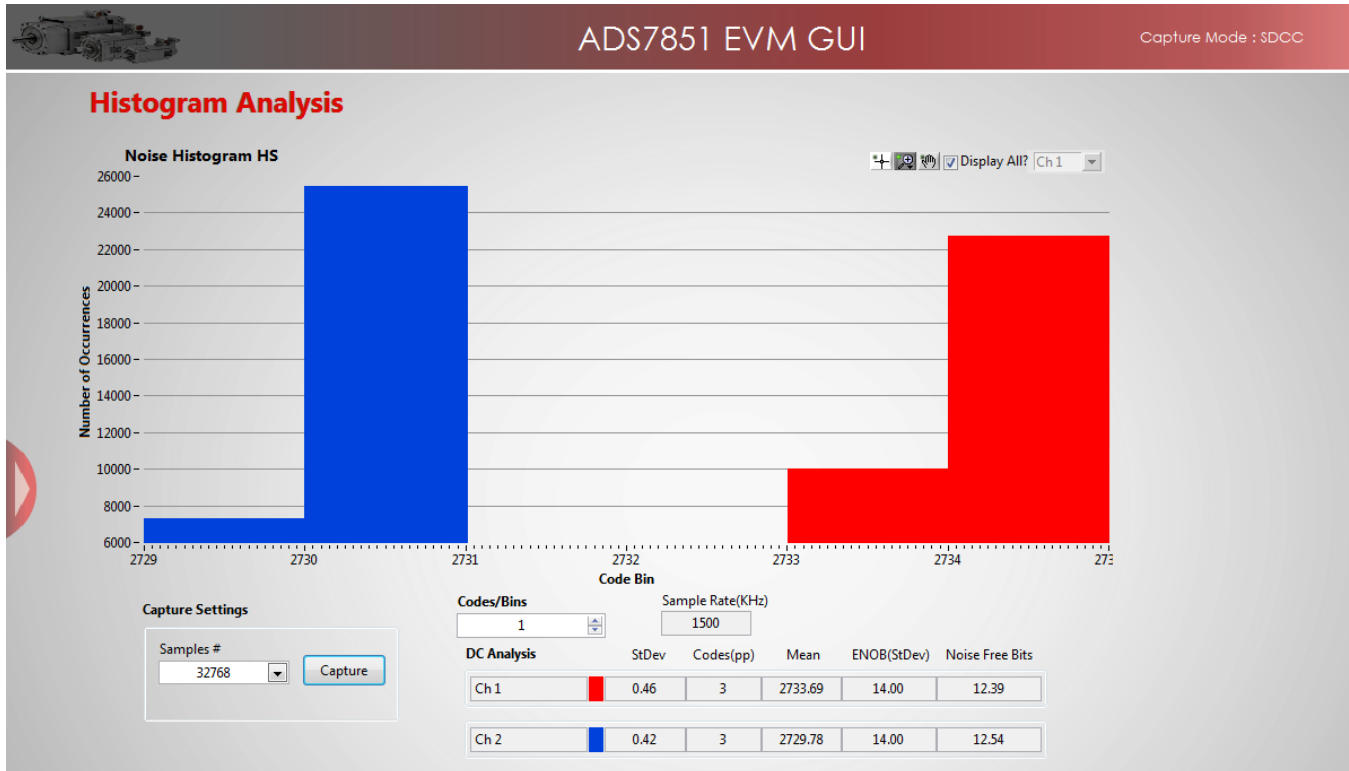


Figure 22. Histogram Analysis Page

The *DC Analysis* table shown in Figure 22 displays several parameters of the captured data set:

- The *StDev* column displays the standard deviation of the data set. This value is equivalent to the RMS noise of the signal when analyzing a dc data set.
- The *Codes(pp)* column shows the peak-to-peak spread of the codes in the data set; for a dc data set, this range would be the peak-to-peak noise.
- The *Mean* column displays the average value of the data set.
- The *ENOB(StDev)* column displays the effective number of bits of the converter, as calculated from the standard deviation or RMS noise.
- The *Noise Free Bits* column displays the effective bits of the converter when calculated using the peak-to-peak noise.

## 6.7 Troubleshooting

If the ADS7851EVM software stops responding while the ADS7851EVM-PDK is connected, unplug the USB cable from the EVM, unload the ADS7851EVM-PDK software, reconnect the ADS7851EVM-PDK to the PC, and reload the ADS7851EVM software.

When initially setting up the ADS7851 GUI, the software detects the EVM hardware, and loads the appropriate hardware settings. If the EVM hardware is not detected, the GUI defaults to the *Capture Mode: Software Debug* mode of operation using a preloaded captured data file for demonstration purposes.

While using the EVM-PDK hardware for data acquisition, keep the GUI in the *Capture Mode: SDCC interface* mode of operation. The GUI indicates the selected mode of operation on the top-right corner of the GUI display. In order to select the SDCC interface mode of operation, navigate to the *GUI Settings* page and select the *SDCC Interface* option on the *Capture Mode* drop-down menu, as shown in [Figure 23](#) and [Figure 24](#).

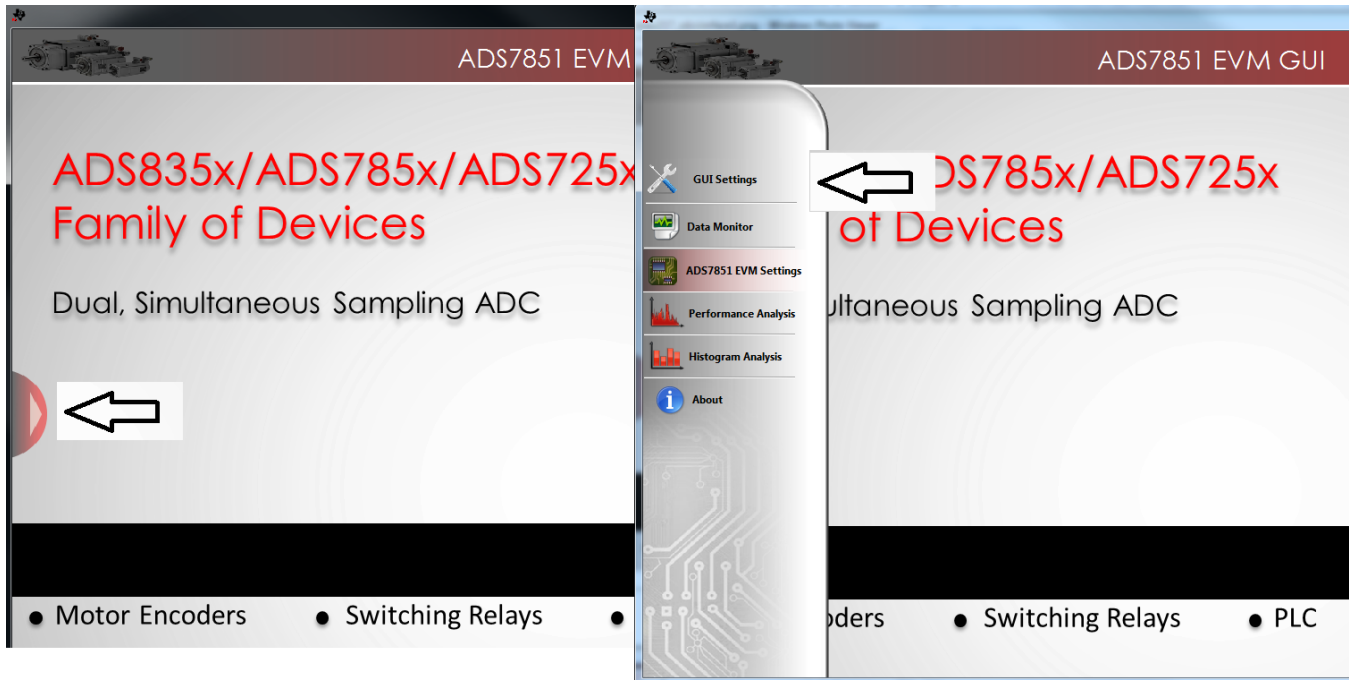


Figure 23. Open the *GUI Settings* page

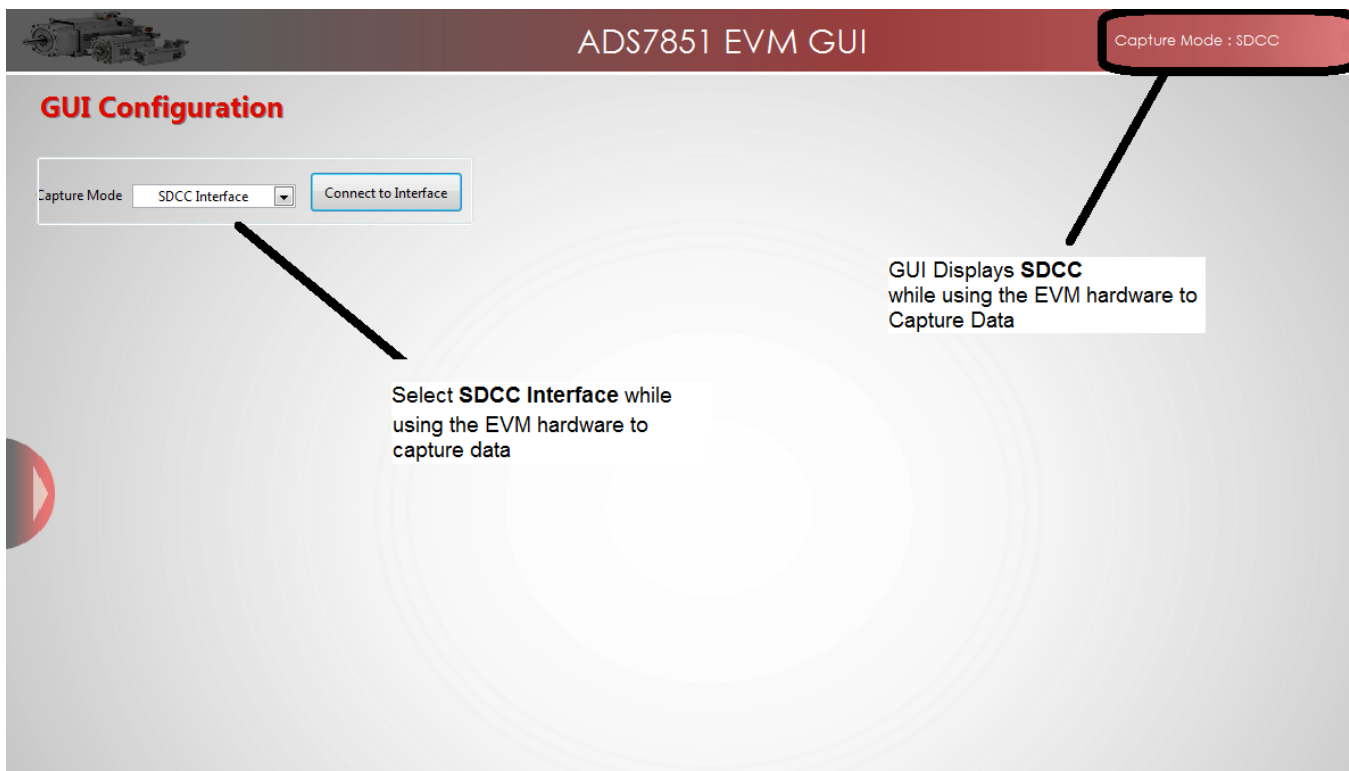


Figure 24. Set Capture Mode to *SDCC Interface* While Using the EVM Hardware

## 7 Bill of Materials, PCB Layout, and Schematics

Table 6 lists the bill of materials. Section 7.2 shows the PCB layout for the ADS7851EVM. The schematics for the ADS7851EVM are appended to the end of this user's guide.

### 7.1 Bill of Materials

**NOTE:** All components should be compliant with the European Union Restriction on Use of Hazardous Substances (RoHS) Directive. Some part numbers may be either leaded or RoHS. Verify that purchased components are RoHS-compliant.

**Table 6. ADS7851EVM Bill of Materials**

Item No.	Qty	Ref Des	Description	Vendor	Part Number
1	11	C1, C10, C32, C39, C41, C42, C43, C44, C45, C46, C54	Capacitor, Ceramic, 10uF, 16V, +/-10%, X5R, 0805	Murata	GRM21BR61C106KE15L
2	0	C5, C6, C7, C8, C9, C11, C15, C26, C31, C33	Not Install: Capacitor, Ceramic, 1uF, 6.3V, +/-10%, X7R, 0603	N/A	Not Install
3	3	C14, C23, C51	Capacitor, Ceramic, 10uF, 6.3V, +/-20%, X5R, 0603	TDK	C1608X5R0J106M
4	7	C16, C19, C34, C37, C48, C52, C53	Capacitor, Ceramic, 0.1uF, 16V, +/-5%, X7R, 0603	AVX	0603YC104JAT2A
5	5	C17, C18, C35, C36, C40	CAP, CERM, 1uF, 6.3V, +/-10%, X7R, 0603	MuRata	GRM188R70J105KA01D
6	2	C22, C38	CAP, CERM, 820pF, 50V, +/-5%, C0G/NP0, 0805	AVX	08055A821JAT2A
7	2	C47, C50	Capacitor, Ceramic, 2.2uF, 16V, +/-10%, X5R, 0603	Murata	GRM188R61C225KE15D
8	1	C49	Capacitor, Ceramic, 0.22uF, 16V, +/-10%, X5R, 0603	TDK	GRM188R61C224KA88D
9	1	D1	DIODE ZENER 5.9V 250MW SOT23	NXP Semiconductors	PLVA659A.215
10	4	J1, J2, J3, J4	Connector, TH, SMA	TE Connectivity	142-0701-201
11	1	J5	2 Terminal Block 3.5MM 2POS PCB)	On Shore Technology Inc	ED555/2DS
12	1	J6	SAMTEC, dual-row, right-angle, female, latching	Samtec	ERF8-025-01-L-D-RA-L-TR
13	0	J7	Not Install: Connector for microSD card	Molex	Not Install (MOLEX 502570-0893)
14	6	JP1, JP2, JP3, JP4, JP7, JP8	Header, TH, 100mil, 2x1, Gold plated, 230 mil above insulator	Samtec	TSW-102-07-G-S
15	0	JP5, JP6, JP9	Not Install: Header, TH, 100mil, 2x1, Gold plated, 230 mil above insulator,	Samtec, Inc.	Not Install
16	1	JP10	Header, TH, 100mil, 3x1, Gold plated, 230 mil above insulator)	Samtec	TSW-103-07-G-S
16	8	R1, R2, R3, R10, R13, R31, R33, R47	Resistor, 47.0 ohm, 1%, 0.1W, 0603	Yageo	RC0603FR-0747RL
17		R1, R2, R3, R10, R13, R31	RES, 47.0 ohm, 1%, 0.1W, 0603	Yageo America	RC0603FR-0747RL
18	2	R5, R86	Resistor, 100k ohm, 5%, 0.1W, 0603	Vishay Dale	CRCW0603100KJNEA
19	4	R11, R12, R45, R48	RES, 20.0k ohm, 1%, 0.1W, 0603	Vishay Dale	CRCW060320K0FKEA
20	3	R14, R49,	RES, 100 ohm, 1%, 0.1W, 0603	Yageo	RC0603FR-07100RL
21	8	R15, R18, R19, R20, R50, R53, R54, R55	RES 1K OHM 1/10W .1% 0603 SMD	Panasonic Electronic	ERA-3AEB102V
22	8	R16, R17, R24, R51, R52, R62, R89, R90	RES, 0 ohm, 5%, 0.1W, 0603	Vishay Dale	CRCW060320K0FKEA
23	4	R21, R22, R56, R57	RES, 10.0 ohm, 1%, 0.1W, 06033	Vishay Dale	CRCW060310R0FKEA
24	2	R46, R63	RES, 0.22 ohm, 1%, 0.1W, 0603	Panasonic Electronic	ERJ-3RQFR22V

**Table 6. ADS7851EVM Bill of Materials (continued)**

Item No.	Qty	Ref Des	Description	Vendor	Part Number
25	6	R70, R71, R72, R73, R74, R75	RES, 10k ohm, 5%, 0.063W, 0402	Vishay Dale	CRCW040210K0JNED
26	1	R76	RES, 10k ohm, 1%, 0.063W, 0402	Vishay Dale	CRCW060310K0FKEA
27	2	R80, R84	RES, 0 ohm, 5%, 0.125W, 08053	Vishay Dale	CRCW08050000Z0EA
28	0	R83	Not Install: Resistor 0805	N/A	N/A
29	0	R87, R88	Not Install: Resistor 0402	N/A	N/A
30	0	R6, R7, R8, R9, R23, R28, R29, R30, R33, R34, R35, R43, R44, R47, R58, R60, R61	Not Install: Resistor 0603	N/A	N/A
31	1	U1	IC, Dual, 1.5-MSPS, 14-Bit Simultaneous Sampling, Fully-Diff ADC	Texas Instruments	ADS7851IRTE
32	2	U4, U11	IC, Low Power, Negative Rail Input, R-to-R, Fully Diff Amp	Texas Instruments	THS4521DGKT
33	0	U5	Not Install: IC, Low Noise, Low Drift, Precision Voltage Reference	Not Install	Not Install: REF5025IDGK
34	2	U6, U12	IC, Low Noise, Low Quiescent Current, Precision OPA	Texas Instruments	OPA376AIDBV
35	1	U7	IC, I2C Compatible (2-Wire) Serial EEPROM	Texas Instruments	AT24C02C-XHM
36	1	U8	IC, 36-V, 1-A, 4.17uVRMS RF LDO Voltage Regulator	Texas Instruments	TPS7A4700RGW
37	1	U9	IC, 60mA, 5.5V, Buck/Boost Charge Pump	Texas Instruments	REG71055DDC
38	0	U13	Not Install: IC, High-Speed, Single-Supply, Rail-to-Rail OPA	Texas Instruments	Not Install: OPA2350EA
39	1	U14	IC, NanoPower Supervisory Circuit	Texas Instruments	TPS3836E18DBVT
40	1	N/A	Conn Shunt, Pitch 0.100"; Height 0.240", Gold Plated	Samtec	SNT-100-BK-G
41	1	TP0	TEST POINT PC MINI .040"D BLACK	Keystone Electronics	5001
42	0	TP1, TP2, TP3, TP4, TP5, TP6	Not Install: TEST POINT PC MINI .040"D BLACK	Keystone Electronics	Not Install: 5001
43	2	N/A	BUMPON CYLINDRICAL .375X.135 BLK	3M	SJ61A8



## 7.2 PCB Layout

Figure 25 through Figure 28 show the PCB layouts for the ADS7851EVM.

**NOTE:** Board layouts are not to scale. These figures are intended to show how the board is laid out; they are not intended to be used for manufacturing ADS7851EVM PCBs.

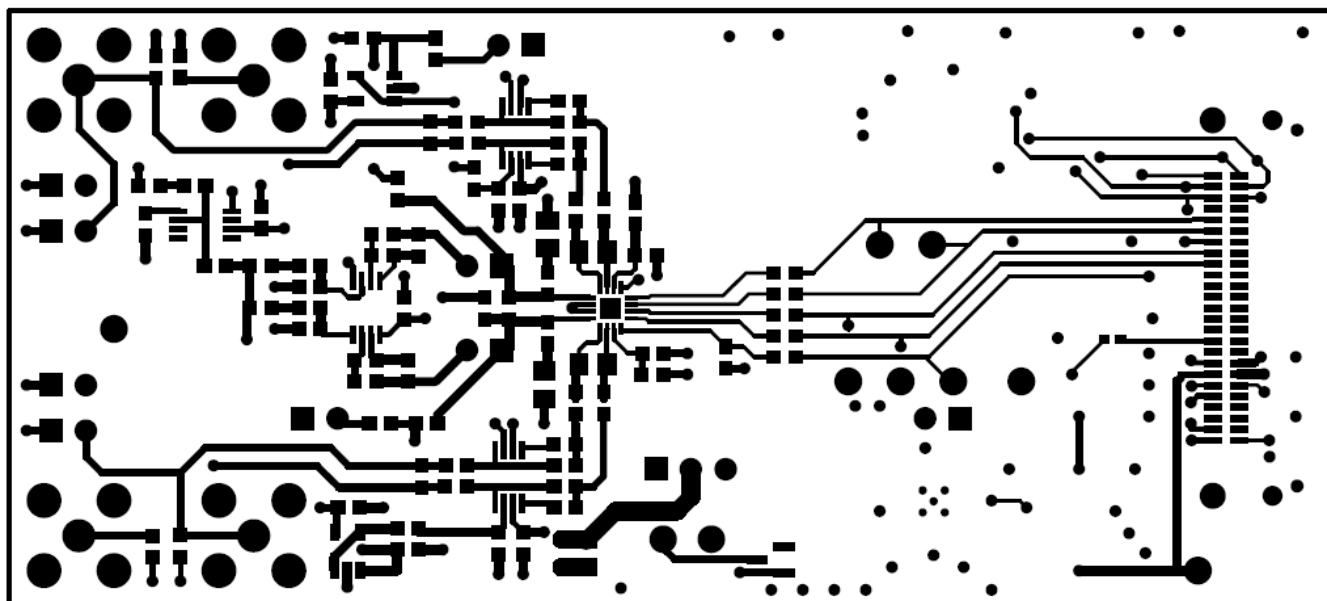


Figure 25. ADS7851EVM PCB: Top Layer

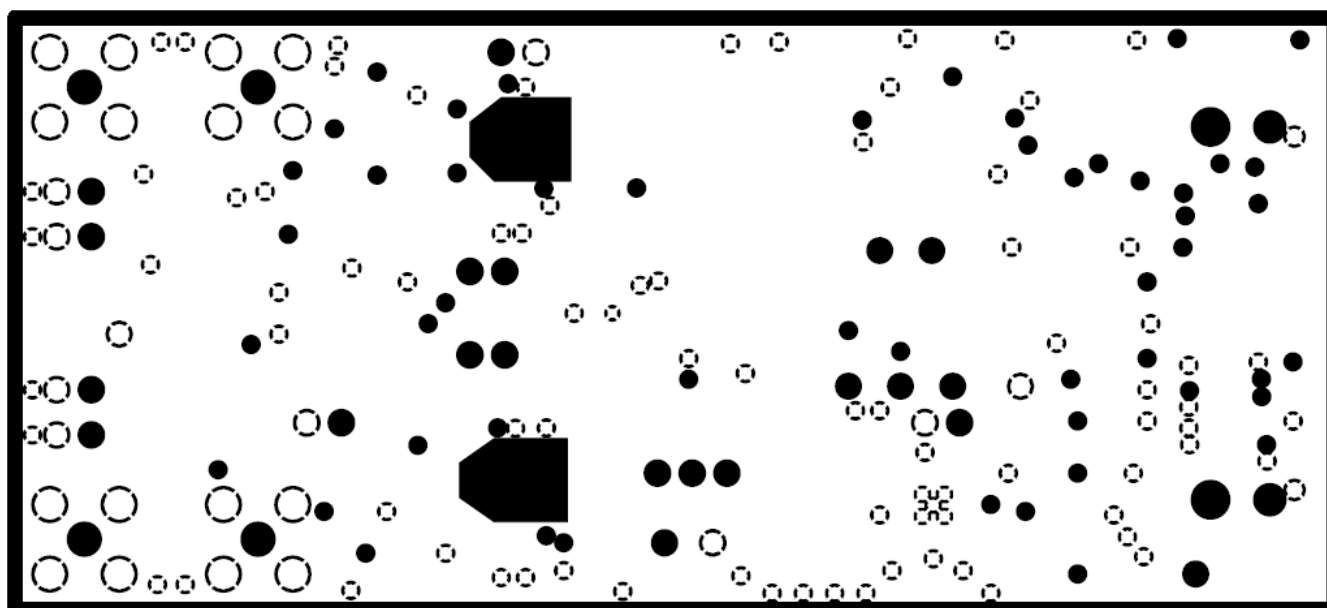


Figure 26. ADS7851EVM PCB: Ground Layer

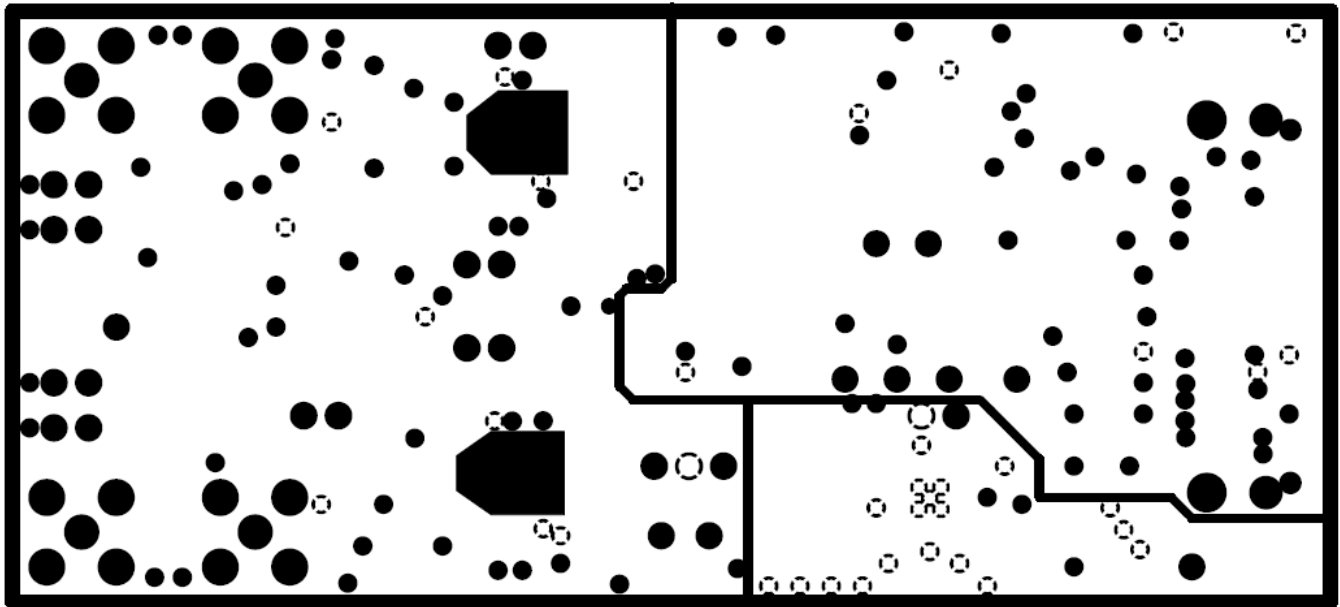


Figure 27. ADS7851EVM PCB: Power Layer

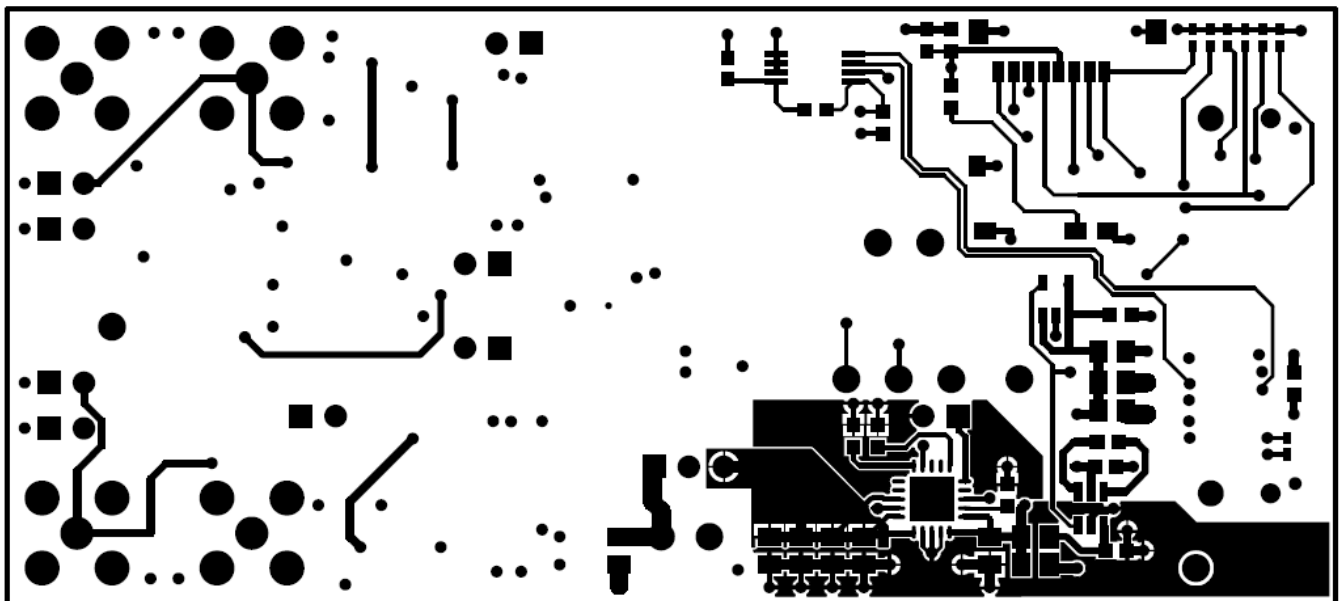


Figure 28. ADS7851EVM PCB: Bottom Layer

### 7.3 Schematics

The schematics for the ADS7851EVM are appended to the end of this user's guide.

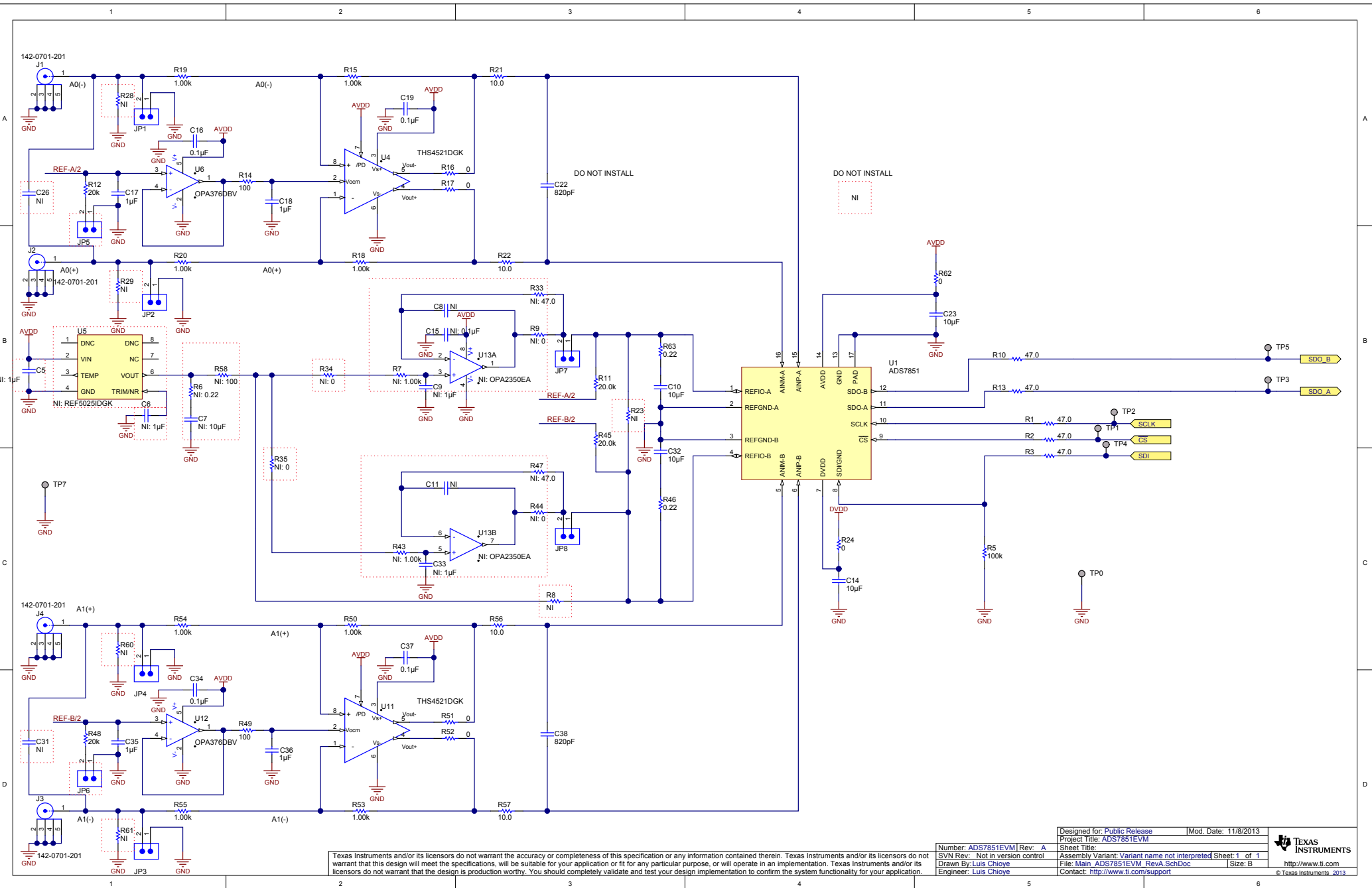
---

## Revision History

Changes from Original (March 2014) to A Revision	Page
• Changed <a href="#">Figure 8</a> caption .....	12
• Changed <a href="#">Figure 9</a> caption .....	12
• Changed <a href="#">Figure 17</a> to show updated screen shot.....	17

---

NOTE: Page numbers for previous revisions may differ from page numbers in the current version.



Texas Instruments and/or its licensors do not warrant the accuracy or completeness of this specification or any information contained therein. Texas Instruments and/or its licensors do not warrant that this design will meet the specifications, will be suitable for your application or fit for any particular purpose, or will operate in an implementation. Texas Instruments and/or its licensors do not warrant that the design is production worthy. You should completely validate and test your design implementation to confirm the system functionality for your application.

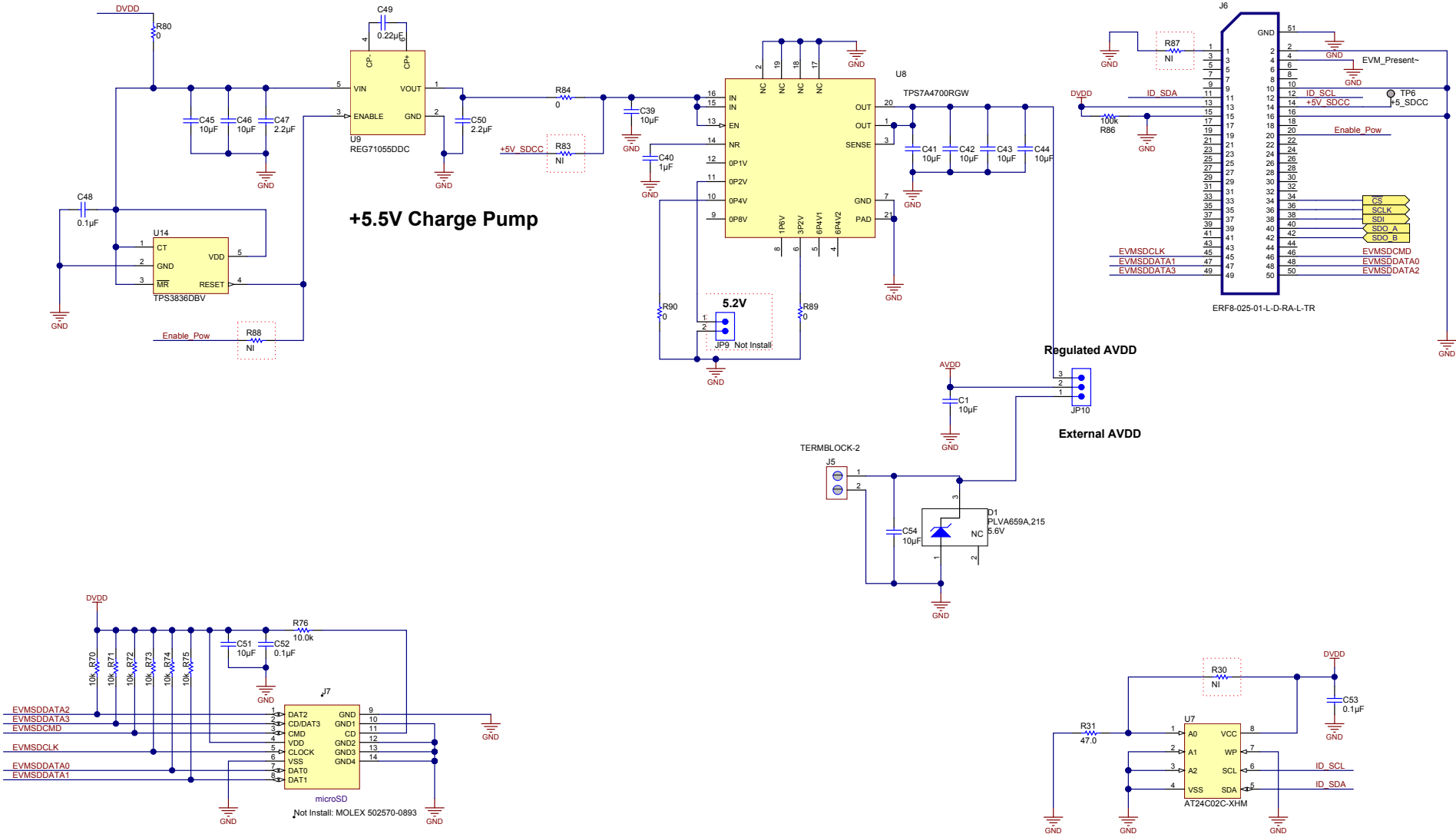
Designed for: Public Release	Mod. Date: 11/8/2013
Project Title: ADS7851EVM	
Number: ADS7851EVM Rev. A	Sheet Title:
SVN Rev.: Not in version control	Assembly Variant: Variant name not interpreted
Drawn By: Luis Chioye	File: Main_ADS7851EVM_RevA_SchDoc
Engineer: Luis Chioye	Contact: <a href="http://www.ti.com/support">http://www.ti.com/support</a>



© Texas Instruments, 2013

# +3.3V SDCC Digital Supply

# +5.5V Charge Pump



Texas Instruments and/or its licensors do not warrant the accuracy or completeness of this specification or any information contained therein. Texas Instruments and/or its licensors do not warrant that this design will meet the specifications, will be suitable for your application or fit for any particular purpose, or will operate in an implementation. Texas Instruments and/or its licensors do not warrant that the design is production worthy. You should completely validate and test your design implementation to confirm the system functionality for your application.

Number: ADS7851EVM Rev. A	Designed for: Public Release	Mod. Date: 3/25/2014
SVN Rev.: Not in version control	Project Title: ADS7851EVM	
Drawn By: Engineer: Luis Chioye	Assembly Variant: Variant name not interpreted	Sheet: 1 of 1
	File: Connect: ADS7851EVM_RevA_SchDoc	Size: B
	Contact: <a href="http://www.ti.com/support">http://www.ti.com/support</a>	

## ADDITIONAL TERMS AND CONDITIONS, WARNINGS, RESTRICTIONS, AND DISCLAIMERS FOR EVALUATION MODULES

Texas Instruments Incorporated (TI) markets, sells, and loans all evaluation boards, kits, and/or modules (EVMs) pursuant to, and user expressly acknowledges, represents, and agrees, and takes sole responsibility and risk with respect to, the following:

1. User agrees and acknowledges that EVMs are intended to be handled and used for feasibility evaluation only in laboratory and/or development environments. Notwithstanding the foregoing, in certain instances, TI makes certain EVMs available to users that do not handle and use EVMs solely for feasibility evaluation only in laboratory and/or development environments, but may use EVMs in a hobbyist environment. All EVMs made available to hobbyist users are FCC certified, as applicable. Hobbyist users acknowledge, agree, and shall comply with all applicable terms, conditions, warnings, and restrictions in this document and are subject to the disclaimer and indemnity provisions included in this document.
2. Unless otherwise indicated, EVMs are not finished products and not intended for consumer use. EVMs are intended solely for use by technically qualified electronics experts who are familiar with the dangers and application risks associated with handling electrical mechanical components, systems, and subsystems.
3. User agrees that EVMs shall not be used as, or incorporated into, all or any part of a finished product.
4. User agrees and acknowledges that certain EVMs may not be designed or manufactured by TI.
5. User must read the user's guide and all other documentation accompanying EVMs, including without limitation any warning or restriction notices, prior to handling and/or using EVMs. Such notices contain important safety information related to, for example, temperatures and voltages. For additional information on TI's environmental and/or safety programs, please visit [www.ti.com/esh](http://www.ti.com/esh) or contact TI.
6. User assumes all responsibility, obligation, and any corresponding liability for proper and safe handling and use of EVMs.
7. Should any EVM not meet the specifications indicated in the user's guide or other documentation accompanying such EVM, the EVM may be returned to TI within 30 days from the date of delivery for a full refund. THE FOREGOING LIMITED WARRANTY IS THE EXCLUSIVE WARRANTY MADE BY TI TO USER AND IS IN LIEU OF ALL OTHER WARRANTIES, EXPRESSED, IMPLIED, OR STATUTORY, INCLUDING ANY WARRANTY OF MERCHANTABILITY OR FITNESS FOR ANY PARTICULAR PURPOSE. TI SHALL NOT BE LIABLE TO USER FOR ANY INDIRECT, SPECIAL, INCIDENTAL, OR CONSEQUENTIAL DAMAGES RELATED TO THE HANDLING OR USE OF ANY EVM.
8. No license is granted under any patent right or other intellectual property right of TI covering or relating to any machine, process, or combination in which EVMs might be or are used. TI currently deals with a variety of customers, and therefore TI's arrangement with the user is not exclusive. TI assumes no liability for applications assistance, customer product design, software performance, or infringement of patents or services with respect to the handling or use of EVMs.
9. User assumes sole responsibility to determine whether EVMs may be subject to any applicable federal, state, or local laws and regulatory requirements (including but not limited to U.S. Food and Drug Administration regulations, if applicable) related to its handling and use of EVMs and, if applicable, compliance in all respects with such laws and regulations.
10. User has sole responsibility to ensure the safety of any activities to be conducted by it and its employees, affiliates, contractors or designees, with respect to handling and using EVMs. Further, user is responsible to ensure that any interfaces (electronic and/or mechanical) between EVMs and any human body are designed with suitable isolation and means to safely limit accessible leakage currents to minimize the risk of electrical shock hazard.
11. User shall employ reasonable safeguards to ensure that user's use of EVMs will not result in any property damage, injury or death, even if EVMs should fail to perform as described or expected.
12. User shall be solely responsible for proper disposal and recycling of EVMs consistent with all applicable federal, state, and local requirements.

**Certain Instructions.** User shall operate EVMs within TI's recommended specifications and environmental considerations per the user's guide, accompanying documentation, and any other applicable requirements. Exceeding the specified ratings (including but not limited to input and output voltage, current, power, and environmental ranges) for EVMs may cause property damage, personal injury or death. If there are questions concerning these ratings, user should contact a TI field representative prior to connecting interface electronics including input power and intended loads. Any loads applied outside of the specified output range may result in unintended and/or inaccurate operation and/or possible permanent damage to the EVM and/or interface electronics. Please consult the applicable EVM user's guide prior to connecting any load to the EVM output. If there is uncertainty as to the load specification, please contact a TI field representative. During normal operation, some circuit components may have case temperatures greater than 60°C as long as the input and output are maintained at a normal ambient operating temperature. These components include but are not limited to linear regulators, switching transistors, pass transistors, and current sense resistors which can be identified using EVMs' schematics located in the applicable EVM user's guide. When placing measurement probes near EVMs during normal operation, please be aware that EVMs may become very warm. As with all electronic evaluation tools, only qualified personnel knowledgeable in electronic measurement and diagnostics normally found in development environments should use EVMs.

**Agreement to Defend, Indemnify and Hold Harmless.** User agrees to defend, indemnify, and hold TI, its directors, officers, employees, agents, representatives, affiliates, licensors and their representatives harmless from and against any and all claims, damages, losses, expenses, costs and liabilities (collectively, "Claims") arising out of, or in connection with, any handling and/or use of EVMs. User's indemnity shall apply whether Claims arise under law of tort or contract or any other legal theory, and even if EVMs fail to perform as described or expected.

**Safety-Critical or Life-Critical Applications.** If user intends to use EVMs in evaluations of safety critical applications (such as life support), and a failure of a TI product considered for purchase by user for use in user's product would reasonably be expected to cause severe personal injury or death such as devices which are classified as FDA Class III or similar classification, then user must specifically notify TI of such intent and enter into a separate Assurance and Indemnity Agreement.

## **RADIO FREQUENCY REGULATORY COMPLIANCE INFORMATION FOR EVALUATION MODULES**

Texas Instruments Incorporated (TI) evaluation boards, kits, and/or modules (EVMs) and/or accompanying hardware that is marketed, sold, or loaned to users may or may not be subject to radio frequency regulations in specific countries.

### **General Statement for EVMs Not Including a Radio**

For EVMs not including a radio and not subject to the U.S. Federal Communications Commission (FCC) or Industry Canada (IC) regulations, TI intends EVMs to be used only for engineering development, demonstration, or evaluation purposes. EVMs are not finished products typically fit for general consumer use. EVMs may nonetheless generate, use, or radiate radio frequency energy, but have not been tested for compliance with the limits of computing devices pursuant to part 15 of FCC or the ICES-003 rules. Operation of such EVMs may cause interference with radio communications, in which case the user at his own expense will be required to take whatever measures may be required to correct this interference.

### **General Statement for EVMs including a radio**

*User Power/Frequency Use Obligations:* For EVMs including a radio, the radio included in such EVMs is intended for development and/or professional use only in legally allocated frequency and power limits. Any use of radio frequencies and/or power availability in such EVMs and their development application(s) must comply with local laws governing radio spectrum allocation and power limits for such EVMs. It is the user's sole responsibility to only operate this radio in legally acceptable frequency space and within legally mandated power limitations. Any exceptions to this are strictly prohibited and unauthorized by TI unless user has obtained appropriate experimental and/or development licenses from local regulatory authorities, which is the sole responsibility of the user, including its acceptable authorization.

### **U.S. Federal Communications Commission Compliance**

#### **For EVMs Annotated as FCC – FEDERAL COMMUNICATIONS COMMISSION Part 15 Compliant**

##### **Caution**

This device complies with part 15 of the FCC Rules. Operation is subject to the following two conditions: (1) This device may not cause harmful interference, and (2) this device must accept any interference received, including interference that may cause undesired operation. Changes or modifications could void the user's authority to operate the equipment.

##### **FCC Interference Statement for Class A EVM devices**

This equipment has been tested and found to comply with the limits for a Class A digital device, pursuant to part 15 of the FCC Rules. These limits are designed to provide reasonable protection against harmful interference when the equipment is operated in a commercial environment. This equipment generates, uses, and can radiate radio frequency energy and, if not installed and used in accordance with the instruction manual, may cause harmful interference to radio communications. Operation of this equipment in a residential area is likely to cause harmful interference in which case the user will be required to correct the interference at its own expense.

##### **FCC Interference Statement for Class B EVM devices**

This equipment has been tested and found to comply with the limits for a Class B digital device, pursuant to part 15 of the FCC Rules. These limits are designed to provide reasonable protection against harmful interference in a residential installation. This equipment generates, uses and can radiate radio frequency energy and, if not installed and used in accordance with the instructions, may cause harmful interference to radio communications. However, there is no guarantee that interference will not occur in a particular installation. If this equipment does cause harmful interference to radio or television reception, which can be determined by turning the equipment off and on, the user is encouraged to try to correct the interference by one or more of the following measures:

- Reorient or relocate the receiving antenna.
- Increase the separation between the equipment and receiver.
- Connect the equipment into an outlet on a circuit different from that to which the receiver is connected.
- Consult the dealer or an experienced radio/TV technician for help.

##### **Industry Canada Compliance (English)**

#### **For EVMs Annotated as IC – INDUSTRY CANADA Compliant:**

This Class A or B digital apparatus complies with Canadian ICES-003.

Changes or modifications not expressly approved by the party responsible for compliance could void the user's authority to operate the equipment.

##### **Concerning EVMs Including Radio Transmitters**

This device complies with Industry Canada licence-exempt RSS standard(s). Operation is subject to the following two conditions: (1) this device may not cause interference, and (2) this device must accept any interference, including interference that may cause undesired operation of the device.

##### **Concerning EVMs Including Detachable Antennas**

Under Industry Canada regulations, this radio transmitter may only operate using an antenna of a type and maximum (or lesser) gain approved for the transmitter by Industry Canada. To reduce potential radio interference to other users, the antenna type and its gain should be so chosen that the equivalent isotropically radiated power (e.i.r.p.) is not more than that necessary for successful communication.

This radio transmitter has been approved by Industry Canada to operate with the antenna types listed in the user guide with the maximum permissible gain and required antenna impedance for each antenna type indicated. Antenna types not included in this list, having a gain greater than the maximum gain indicated for that type, are strictly prohibited for use with this device.

##### **Canada Industry Canada Compliance (French)**

Cet appareil numérique de la classe A ou B est conforme à la norme NMB-003 du Canada



Les changements ou les modifications pas expressément approuvés par la partie responsable de la conformité ont pu vider l'autorité de l'utilisateur pour actionner l'équipement.

#### **Concernant les EVMs avec appareils radio**

Le présent appareil est conforme aux CNR d'Industrie Canada applicables aux appareils radio exempts de licence. L'exploitation est autorisée aux deux conditions suivantes : (1) l'appareil ne doit pas produire de brouillage, et (2) l'utilisateur de l'appareil doit accepter tout brouillage radioélectrique subi, même si le brouillage est susceptible d'en compromettre le fonctionnement.

#### **Concernant les EVMs avec antennes détachables**

Conformément à la réglementation d'Industrie Canada, le présent émetteur radio peut fonctionner avec une antenne d'un type et d'un gain maximal (ou inférieur) approuvé pour l'émetteur par Industrie Canada. Dans le but de réduire les risques de brouillage radioélectrique à l'intention des autres utilisateurs, il faut choisir le type d'antenne et son gain de sorte que la puissance isotrope rayonnée équivalente (p.i.r.e.) ne dépasse pas l'intensité nécessaire à l'établissement d'une communication satisfaisante.

Le présent émetteur radio a été approuvé par Industrie Canada pour fonctionner avec les types d'antenne énumérés dans le manuel d'usage et ayant un gain admissible maximal et l'impédance requise pour chaque type d'antenne. Les types d'antenne non inclus dans cette liste, ou dont le gain est supérieur au gain maximal indiqué, sont strictement interdits pour l'exploitation de l'émetteur.

Mailing Address: Texas Instruments, Post Office Box 655303, Dallas, Texas 75265  
Copyright © 2014, Texas Instruments Incorporated

### **Important Notice for Users of EVMs Considered “Radio Frequency Products” in Japan**

#### **EVMs entering Japan are NOT certified by TI as conforming to Technical Regulations of Radio Law of Japan.**

If user uses EVMs in Japan, user is required by Radio Law of Japan to follow the instructions below with respect to EVMs:

1. Use EVMs in a shielded room or any other test facility as defined in the notification #173 issued by Ministry of Internal Affairs and Communications on March 28, 2006, based on Sub-section 1.1 of Article 6 of the Ministry's Rule for Enforcement of Radio Law of Japan,
2. Use EVMs only after user obtains the license of Test Radio Station as provided in Radio Law of Japan with respect to EVMs, or
3. Use of EVMs only after user obtains the Technical Regulations Conformity Certification as provided in Radio Law of Japan with respect to EVMs. Also, do not transfer EVMs, unless user gives the same notice above to the transferee. Please note that if user does not follow the instructions above, user will be subject to penalties of Radio Law of Japan.

<http://www.tij.co.jp>

【無線電波を送信する製品の開発キットをお使いになる際の注意事項】本開発キットは技術基準適合証明を受けておりません。本製品のご使用に際しては、電波法遵守のため、以下のいずれかの措置を取っていただく必要がありますのでご注意ください。

1. 電波法施行規則第6条第1項第1号に基づく平成18年3月28日総務省告示第173号で定められた電波暗室等の試験設備でご使用いただく。
2. 実験局の免許を取得後ご使用いただく。
3. 技術基準適合証明を取得後ご使用いただく。。

なお、本製品は、上記の「ご使用にあたっての注意」を譲渡先、移転先に通知しない限り、譲渡、移転できないものとします

上記を遵守頂けない場合は、電波法の罰則が適用される可能性があることをご留意ください。

日本テキサス・インスツルメンツ株式会社

東京都新宿区西新宿 6 丁目 2 4 番 1 号

西新宿三井ビル

<http://www.tij.co.jp>

Texas Instruments Japan Limited

(address) 24-1, Nishi-Shinjuku 6 chome, Shinjuku-ku, Tokyo, Japan

## IMPORTANT NOTICE

Texas Instruments Incorporated and its subsidiaries (TI) reserve the right to make corrections, enhancements, improvements and other changes to its semiconductor products and services per JESD46, latest issue, and to discontinue any product or service per JESD48, latest issue. Buyers should obtain the latest relevant information before placing orders and should verify that such information is current and complete. All semiconductor products (also referred to herein as "components") are sold subject to TI's terms and conditions of sale supplied at the time of order acknowledgment.

TI warrants performance of its components to the specifications applicable at the time of sale, in accordance with the warranty in TI's terms and conditions of sale of semiconductor products. Testing and other quality control techniques are used to the extent TI deems necessary to support this warranty. Except where mandated by applicable law, testing of all parameters of each component is not necessarily performed.

TI assumes no liability for applications assistance or the design of Buyers' products. Buyers are responsible for their products and applications using TI components. To minimize the risks associated with Buyers' products and applications, Buyers should provide adequate design and operating safeguards.

TI does not warrant or represent that any license, either express or implied, is granted under any patent right, copyright, mask work right, or other intellectual property right relating to any combination, machine, or process in which TI components or services are used. Information published by TI regarding third-party products or services does not constitute a license to use such products or services or a warranty or endorsement thereof. Use of such information may require a license from a third party under the patents or other intellectual property of the third party, or a license from TI under the patents or other intellectual property of TI.

Reproduction of significant portions of TI information in TI data books or data sheets is permissible only if reproduction is without alteration and is accompanied by all associated warranties, conditions, limitations, and notices. TI is not responsible or liable for such altered documentation. Information of third parties may be subject to additional restrictions.

Resale of TI components or services with statements different from or beyond the parameters stated by TI for that component or service voids all express and any implied warranties for the associated TI component or service and is an unfair and deceptive business practice. TI is not responsible or liable for any such statements.

Buyer acknowledges and agrees that it is solely responsible for compliance with all legal, regulatory and safety-related requirements concerning its products, and any use of TI components in its applications, notwithstanding any applications-related information or support that may be provided by TI. Buyer represents and agrees that it has all the necessary expertise to create and implement safeguards which anticipate dangerous consequences of failures, monitor failures and their consequences, lessen the likelihood of failures that might cause harm and take appropriate remedial actions. Buyer will fully indemnify TI and its representatives against any damages arising out of the use of any TI components in safety-critical applications.

In some cases, TI components may be promoted specifically to facilitate safety-related applications. With such components, TI's goal is to help enable customers to design and create their own end-product solutions that meet applicable functional safety standards and requirements. Nonetheless, such components are subject to these terms.

No TI components are authorized for use in FDA Class III (or similar life-critical medical equipment) unless authorized officers of the parties have executed a special agreement specifically governing such use.

Only those TI components which TI has specifically designated as military grade or "enhanced plastic" are designed and intended for use in military/aerospace applications or environments. Buyer acknowledges and agrees that any military or aerospace use of TI components which have **not** been so designated is solely at the Buyer's risk, and that Buyer is solely responsible for compliance with all legal and regulatory requirements in connection with such use.

TI has specifically designated certain components as meeting ISO/TS16949 requirements, mainly for automotive use. In any case of use of non-designated products, TI will not be responsible for any failure to meet ISO/TS16949.

### Products

Audio	<a href="http://www.ti.com/audio">www.ti.com/audio</a>
Amplifiers	<a href="http://amplifier.ti.com">amplifier.ti.com</a>
Data Converters	<a href="http://dataconverter.ti.com">dataconverter.ti.com</a>
DLP® Products	<a href="http://www.dlp.com">www.dlp.com</a>
DSP	<a href="http://dsp.ti.com">dsp.ti.com</a>
Clocks and Timers	<a href="http://www.ti.com/clocks">www.ti.com/clocks</a>
Interface	<a href="http://interface.ti.com">interface.ti.com</a>
Logic	<a href="http://logic.ti.com">logic.ti.com</a>
Power Mgmt	<a href="http://power.ti.com">power.ti.com</a>
Microcontrollers	<a href="http://microcontroller.ti.com">microcontroller.ti.com</a>
RFID	<a href="http://www.ti-rfid.com">www.ti-rfid.com</a>
OMAP Applications Processors	<a href="http://www.ti.com/omap">www.ti.com/omap</a>
Wireless Connectivity	<a href="http://www.ti.com/wirelessconnectivity">www.ti.com/wirelessconnectivity</a>

### Applications

Automotive and Transportation	<a href="http://www.ti.com/automotive">www.ti.com/automotive</a>
Communications and Telecom	<a href="http://www.ti.com/communications">www.ti.com/communications</a>
Computers and Peripherals	<a href="http://www.ti.com/computers">www.ti.com/computers</a>
Consumer Electronics	<a href="http://www.ti.com/consumer-apps">www.ti.com/consumer-apps</a>
Energy and Lighting	<a href="http://www.ti.com/energy">www.ti.com/energy</a>
Industrial	<a href="http://www.ti.com/industrial">www.ti.com/industrial</a>
Medical	<a href="http://www.ti.com/medical">www.ti.com/medical</a>
Security	<a href="http://www.ti.com/security">www.ti.com/security</a>
Space, Avionics and Defense	<a href="http://www.ti.com/space-avionics-defense">www.ti.com/space-avionics-defense</a>
Video and Imaging	<a href="http://www.ti.com/video">www.ti.com/video</a>

### TI E2E Community

[e2e.ti.com](http://e2e.ti.com)