

Design Guide: TIDA-010208

高精度セル測定機能およびハイサイド MOSFET 制御機能搭載、
10s ~ 16s (10 ~ 16 個の直列) バッテリ・パックのリファレンス・デザイン

概要

このリファレンス・デザインは、スタンバイ・モードとシップ・モードの消費電流が小さく、セル電圧の精度が高い、10S ~ 16S (10 ~ 16 個の直列) リチウムイオン、または LiFePO4 バッテリ・パック向けのデザインです。本リファレンス・デザインは、セル過電圧、セル低電圧、過熱、充電および放電時過電流、放電時短絡の状態にならないように、各セルの電圧、パックの電流、セルと MOSFET の温度を高精度で監視しリチウムイオンおよび LiFePO4 バッテリ・パックを保護します。本リファレンス・デザインは、ハイサイド N チャネル MOSFET アーキテクチャを採用することで、強力なオンおよびオフ駆動能力を実現しています。効率的な補助電源方式を採用した結果、このリファレンス・デザインはスタンバイ時に 100 μ A、シップ・モードで 10 μ A の低消費電流を実現し、より多くのエネルギーを節減して輸送時間とアイドル時間を延ばすことができます。このリファレンス・デザインはこれらの機能を通じて、電動自転車や電動スクーターのバッテリ・パック・アプリケーションへの高い適応性を実現しています。

リソース

TIDA-010208

BQ76952, BQ77216, MSP430FR2155

LM5163, TCAN1042HV, TCAN1044V

TLV704, TMP61

デザイン・フォルダ

プロダクト・フォルダ

プロダクト・フォルダ

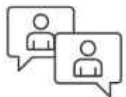
プロダクト・フォルダ

特長

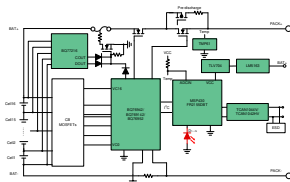
- 超低消費電流:
 - スタンバイ・モードで 100 μ A の代表値
 - シップ・モードで 10 μ A の代表値
- キャリブレーションなしで高精度のセル電圧測定機能:
 - ± 5 mV (25 $^{\circ}$ C)、 ± 10 mV (0 $^{\circ}$ C ~ 60 $^{\circ}$ C)、 ± 15 mV (-40 $^{\circ}$ C ~ 85 $^{\circ}$ C)
- 以下を含め、信頼性の高いバッテリ・セル保護機能:
 - 1 次側: セルの過電圧、セルの低電圧、2 レベルの過電流放電、過電流の充電、放電時の短絡、過熱
 - 2 次側: セルの過電圧、セルの低電圧、過熱
- その他のシステム保護機能: セルの開路、ホストのウォッチドッグ
- ランダムなセル接続をサポート
- 逆方向のチャージャ、およびパック側が高電圧の場合の対処
- ハイサイド N チャネル MOSFET アーキテクチャによる強力な駆動能力

アプリケーション

- バッテリ・パック: 電動自転車、電動スクーター、軽電気自動車 (LEV)
- その他の産業用バッテリ・パック (10S 以上)



TI の TI E2E™ サポート・エキスパートにお問い合わせください。



1 System Description

The e-bike market is growing rapidly. Because of the weight limited and longer endurance needs, the battery cell chemistry of the battery pack is shifting from Lead-acid to Li-ion, Li-polymer, or Li-iron phosphate types. This chemistry is good in both volumetric and gravimetric energy density. While this chemistry provides high energy density and thereby lower volume and weight as an advantage, they are associated with safety concerns and need more accurate and complicated monitoring and protections. Those concerns are cell undervoltage (CUV) and cell overvoltage (COV), overtemperature (OT), both overcurrent in charge (OCC) and discharge (OCD), and short-circuit discharge (SCD), all of which contribute to the accelerating cell degradation and may lead to thermal runaway and explosion. Therefore the pack current, cell temperature, and each cell voltage should be monitored timely in case of some unusual situations. The battery pack must be protected against all these situations.

Good measurement accuracy is always required, especially the cell voltage, pack current, and cell temperature. Precision is necessary for accurate protections and battery pack state of charge (SoC) calculations. This is especially true for LiFePO₄ battery pack applications because of the flat voltage. Another important feature for battery-powered applications is the current consumption, especially when in ship mode or standby mode. Lower current consumption saves more energy and gives longer storage time without over discharging the battery.

This design focuses on e-bike or e-scooter battery pack applications and is also suitable for other high-cell applications, such as a mowing robot battery pack, 48-V family energy storage system battery packs, and so forth. It contains both primary and secondary protections to ensure safe use of the battery pack. The primary protection protects the battery pack against all unusual situations, including: cell overvoltage, cell undervoltage, overtemperature, overcurrent in charge and discharge, and short-circuit discharge. The secondary protection which supports independent cell overvoltage protection, cell undervoltage protection, and overtemperature protection is an add-on board and is easily removed and added based on actual demands. It achieves within ± 5 -mV cell voltage measurement accuracy at 25°C and ± 10 mV at 0°C to 60°C without any further calibrations. This solution carefully designs the auxiliary power architecture, which achieves quite low ship mode (10 μ A) and standby mode (100 μ A) current consumption with a limited number of components and simple control strategy.

2 System Overview

表 2-1 lists the key system specifications of this design.

表 2-1. Key System Specifications

Parameter	Conditions	Spec Range			Unit
		Minimum	Typical	Maximum	
Cell architecture	BQ76942	3		10	Series
	BQ769142	3		14	Series
	BQ76952	3		16	Series
Cell balancing peak current	Cell voltage: 4000 mV		117		mA
Charge current				27	A
Discharge current				27	A
Pre-discharge current	Pack voltage: 48 V		160		mA
Cell Voltage accuracy	25°C			± 5	mV
	0°C–60°C			± 10	mV
Pack current accuracy	< 2 A		± 10		mA
	> 2 A		± 0.5		%
Primary OV protection	Threshold		4200		mV
	Delay		2		s
Secondary OV protection	Threshold		4325		mV
	Delay		1		s
Primary UV protection	Threshold		2530		mV
	Delay		2		s
Secondary UV protection	Threshold		2250		mV
	Delay		1		s

表 2-1. Key System Specifications (continued)

Parameter	Conditions	Spec Range			Unit
		Minimum	Typical	Maximum	
OCD protection - level 1	Threshold		10		A
	Delay		425		ms
OCD protection - level 2	Threshold		30		A
	Delay		56		ms
OCC protection	Threshold		10		A
	Delay		425		ms
SCD protection	Threshold		200		A
	Delay		300		μs
Over temperature protection	Charge		55		°C
	Discharge		60		°C
Under temperature protection	Charge		0		°C
	Discharge		-20		°C
Maximum pack+ voltage	Charge MOSFET off			120	V
Standby mode current consumption			100		μA
Ship mode current consumption			10		μA

2.1 Block Diagram

Figure 2-1 shows the system diagram. It uses the high-accuracy battery monitor and protector bq769x2 family from TI to monitor each cell voltage, pack current and temperature data, and protect the battery pack from all unusual situations, including: COV, CUV, OT, overcurrent in charge and discharge and short-circuit discharge. It has 3 devices: bq76942 to cover 3s to 10s applications, bq769142 to cover up to 14s applications, and bq76952 to cover up to 16s applications. They are pin-to-pin devices, which makes it very easy to update the design to match different battery cell applications with a limited number of component changes. This design uses an independent 16s secondary protector bq77216 for voltage and temperature protection. This helps the design pass some safety regulations without requiring an MCU to carry out protection work, which saves the safety certifications of the firmware. There is a lower-power MSP430™ MCU MSP430FR2155 which will communicate with the monitor, deal with all system control strategy, and upload all the requested information to the system side. This design has a CAN transceiver TCAN1044V or TCAN1042HV which both integrate level translation via the VIO terminal to allow for interfacing the transceiver IOs directly to 1.8-V, 2.5-V, 3.3-V, or 5-V logic IOs. The TCAN1044V has ± 58 -V bus fault protection voltage which is good enough to cover 36-V battery packs for e-assisted bikes or e-scooters. The TCAN1042HV is also recommended for 48-V ebike battery packs since it supports as high as ± 70 -V bus fault protection voltage. Since the MSP430FR2155 does not have an integrated CAN controller, CAN communication is not supported by this design. This design uses a 100-V input, 0.5-A, ultra-low I_Q synchronous Buck DC/DC converter LM5163 with a low I_Q LDO TLV704 as the auxiliary power. A $\pm 1\%$, 10-k Ω linear thermistor with positive temperature coefficient and 0603 package TMP61 is utilized to monitor the MOSFET temperature and measured by MCU ADC.

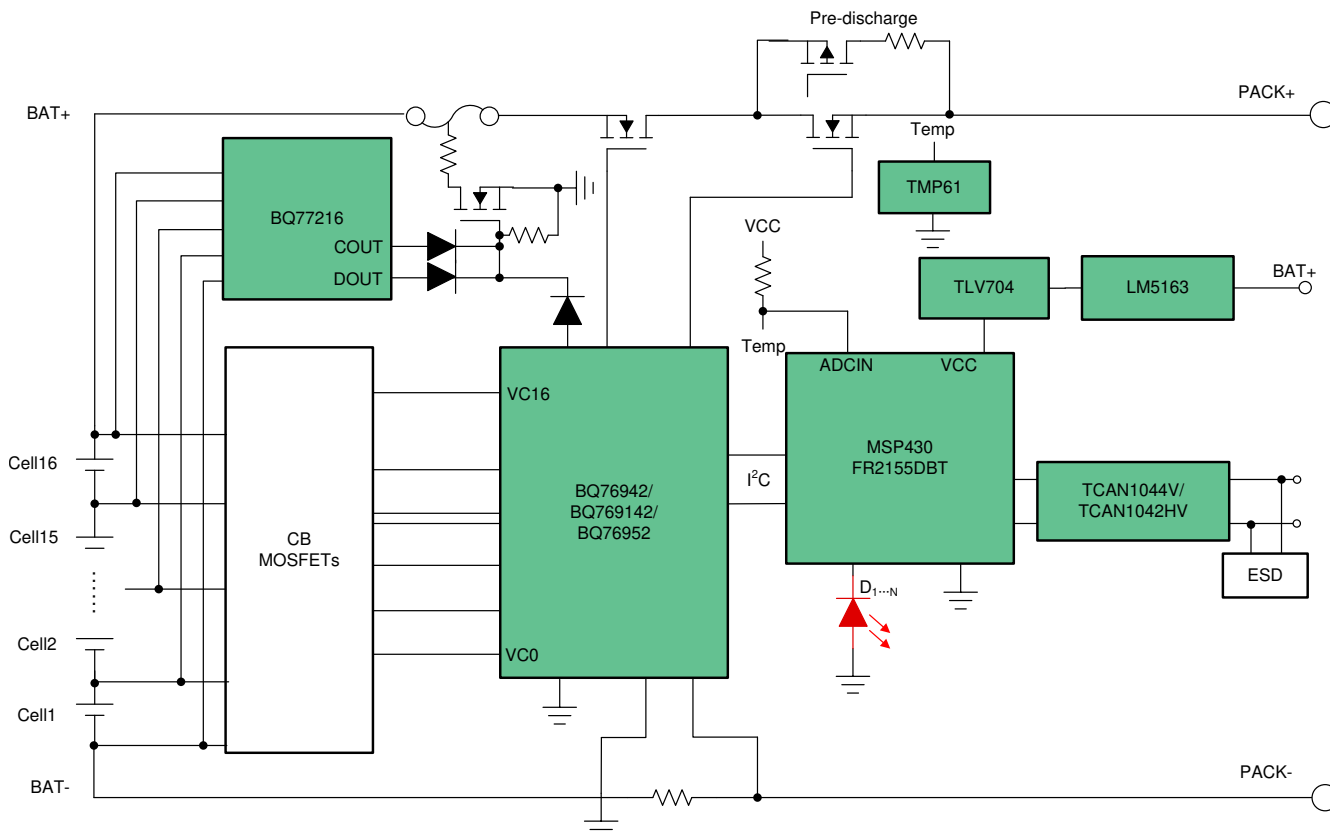


図 2-1. TIDA-010208 Block Diagram

2.2 Design Considerations

Auxiliary Power Strategy

With the requests of low current consumption in standby mode and ship mode, this design uses the auxiliary power strategy shown in [Figure 2-2](#).

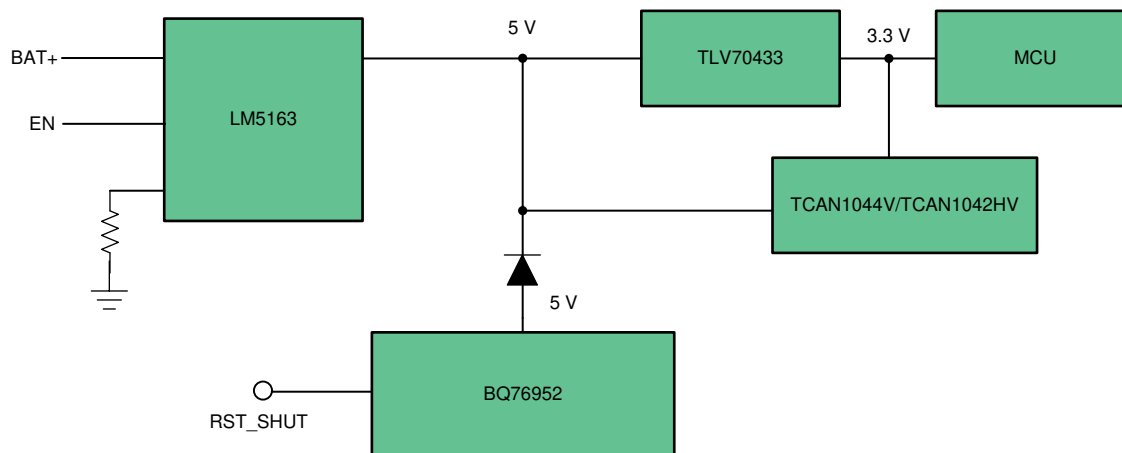


Figure 2-2. Auxiliary Power Strategy

The design has a 100-V Input, 0.5-A, ultra-low I_Q synchronous Buck DC/DC converter LM5163 with a low I_Q LDO TLV704 as the main power source when the system is working in normal mode. The BQ76952 regulator is configured to 5-V output which is the power source when the system is working in standby mode. The series diode on the BQ76952 regulator output makes sure all power is from the DC/DC converter in normal mode preventing the BQ76952 regulator circuits from overheating, so DC/DC output should be designed a little higher than 5 V, BQ76952 regulator output. Detailed component design guidance is available from the [LM5163 and LM5164 converter quickstart design tool](#). When the system experiences a serious cell under voltage and must enter ship mode, the MCU will configure the BQ76952 device to enter shutdown mode through an I2C command or RST_SHUT PIN and turn off LM5163 output through the EN PIN, which configures the system to very low current consumption mode. This design supports both charger attach and system detect wake up functions. Both methods wake up the BQ76952 device and enable normal 5-V regulator output, then the MCU is powered on and will enable the LM5163 through the EN PIN. The whole system then returns to normal mode.

2.3 Highlighted Products

BQ76952

The BQ76952 device is a highly integrated, high-accuracy battery monitor and protector for 3-series to 16-series Li-Ion, Li-Polymer, and LiFePO4 battery packs. The device includes a high-accuracy monitoring system, a highly configurable protection subsystem, and support for autonomous or host controlled cell balancing. Integration includes high-side charge-pump NFET drivers, dual programmable LDOs for external system use, and a host communication peripheral supporting 400-kHz I2C, SPI, and HDQ one-wire standards. The BQ76952 device is available in a 48-pin TQFP package.

BQ77216

The BQ77216 family of products provides a range of voltage and temperature monitoring including overvoltage (OVP), undervoltage (UVP), open wire (OW), and overtemperature (OT) protection for li-ion battery pack systems. Each cell is monitored independently for overvoltage, undervoltage, and open-wire conditions. With the addition of an external NTC thermistor, the device can detect overtemperature conditions. In the BQ77216 device, an internal delay timer is initiated upon detection of an overvoltage, undervoltage, open-wire, or overtemperature condition. Upon expiration of the delay timer, the respective output is triggered into its active state (either high or low, depending on the configuration). The overvoltage triggers the COUT pin if a fault is detected, and undervoltage triggers the DOUT pin if a fault is detected. If an overtemperature or open-wire fault is detected, then both the DOUT and COUT will be triggered. For quicker production-line testing, the BQ77216 device provides a Customer Test Mode (CTM) with greatly reduced delay time.

LM5163

The LM5163 synchronous buck converter is designed to regulate over a wide input voltage range, minimizing the need for external surge suppression components. A minimum controllable on-time of 50 ns facilitates large step-down conversion ratios, enabling the direct step-down from a 48-V nominal input to low-voltage rails for reduced system complexity and solution cost. The LM5163 operates during input voltage dips as low as 6 V, at nearly 100% duty cycle if needed, making it an excellent choice for wide input supply range industrial and high cell count battery pack applications. With integrated high-side and low-side power MOSFETs, the LM5163 delivers up to 0.5-A of output current. A constant on-time (COT) control architecture provides nearly constant switching frequency with excellent load and line transient response. Additional features of the LM5163 include ultra-low IQ and diode emulation mode operation for high light-load efficiency, innovative peak and valley overcurrent protection, integrated VCC bias supply and bootstrap diode, precision enable and input UVLO, and thermal shutdown protection with automatic recovery. The LM5163 is available in a thermally-enhanced, 8-pin SO PowerPAD™ package.

TCAN1044V

The TCAN1044V is a high speed controller area network (CAN) transceiver that meets the physical layer requirements of the ISO 11898-2:2016 high-speed CAN specification. The TCAN1044V transceiver supports both classical CAN and CAN FD networks up to 8 megabits per second (Mbps). The TCAN1044V includes internal logic level translation via the VIO terminal to allow for interfacing the transceiver IOs directly to 1.8-V, 2.5-V, 3.3-V, or 5-V logic IOs. The transceiver has a low-power standby mode which supports remote wake-up via the ISO 11898-2:2016 defined wake-up pattern (WUP). The TCAN1044V transceiver also include many protection and diagnostic features including thermal-shutdown (TSD), TXD-dominant time-out (DTO), supply under-voltage detection, and bus fault protection up to ± 58 V.

TCAN1042HV

This CAN transceiver family meets the ISO11898-2 (2016) High Speed CAN (Controller Area Network) physical layer standard. All devices are designed for use in CAN FD networks up to 2 Mbps (megabits per second). Devices with part numbers that include the "G" suffix are designed for data rates up to 5 Mbps, and versions with the "V" have a secondary power supply input for I/O level shifting the input pin thresholds and RXD output level. This family has a low power standby mode with remote wake request feature. Additionally, all devices include many protection features to enhance device and network robustness.

MSP430FR2155

MSP430FR215x micro-controller (MCUs) is part of the MSP430™ MCU value line portfolio of ultra-low power low-cost devices for sensing and measurement applications. The device includes a 12-channels 12-bit ADC and two comparators. The MSP430FR215x supports an extended temperature range from -40° up to 105°C , so higher temperature industrial applications can benefit from the FRAM data-logging capabilities of the device. The extended temperature range allows developers to meet requirements of applications such as smoke detectors, sensor transmitters, and circuit breakers. The MSP430FR215x features a powerful 16-bit RISC CPU, 16-bit registers, and a constant generator that contribute to maximum code efficiency. The digitally controlled oscillator (DCO) allows the device to wake up from low-power modes to active mode typically in less than $10\ \mu\text{s}$. The MSP430 ultra-low-power (ULP) FRAM microcontroller platform combines uniquely embedded FRAM and a holistic ultra-low-power system architecture, allowing system designers to increase performance while lowering energy consumption. FRAM technology combines the low-energy fast writes, flexibility, and endurance of RAM with the nonvolatile behavior of flash. MSP430FR215x is supported by an extensive hardware and software ecosystem with reference designs and code examples to get your design started quickly.

TLV704

The TLV704 series of low-dropout (LDO) regulators are ultra-low quiescent current devices designed for extremely power-sensitive applications. Quiescent current is virtually constant over the complete load current and ambient temperature range. These devices are an ideal power-management attachment to low-power microcontrollers, such as the MSP430. The TLV704 operates over a wide operating input voltage of 2.5 V to 24 V. Thus, the device is an excellent choice for both battery-powered systems as well as industrial applications that undergo large line transients. The TLV704 is available in a 3-mm × 3-mm SOT23-5 package, which is ideal for cost-effective board manufacturing.

TMP61

The TMP61 linear thermistor offers linearity and consistent sensitivity across temperature to enable simple and accurate methods for temperature conversion. The low power consumption and a small thermal mass of the device minimize the impact of self-heating. With built-in fail-safe behaviors at high temperatures and powerful immunity to environmental variation, these devices are designed for a long lifetime of high performance. The small size of the TMP6 series also allows for close placement to heat sources and quick response times. Take advantage of benefits over NTC thermistors such as no extra linearization circuitry, minimized calibration, less resistance tolerance variation, larger sensitivity at high temperatures, and simplified conversion methods to save time and memory in the processor. The TMP61 is currently available in a 0402 footprint, a 0603 footprint and a 2-pin through-hole TO-92S package.

3 Hardware, Software, Testing Requirements, and Test Results

The key performances of the TIDA-010208 were tested in a TI lab, the end equipment used and test processes and results are described in this section.

表 3-1 describes the connections for TIDA-010208 board.

表 3-1. Board Connections

Connector and Pin Assignments	Function or Schematic Net	Notes
BAT-	BAT-	Cell stack negative; this provides a reference for the electronics and the high current path from the cells
BAT+	BAT+	Cell stack positive; this provides power for the high-side driver and the high current path from the cells
PACK+	PACK+	Charger positive or load positive
PACK-	PACK-	Charger negative or load negative
P1-1	GND	SBW program connector ground
P1-2	SBCLK	SBW program connector SBCLK
P1-3	SBIO	SBW program connector SBIO
P1-4	3V3	SBW program connector 3.3 V

表 3-1. Board Connections (continued)

Connector and Pin Assignments	Function or Schematic Net	Notes
P2-1	SCL	I2C communication SCL from bq76952, bq76942, bq769142, connect SCL_MCU or EV2400 SCL
P2-2	SCL_MCU	I2C communication SCL from MCU
P2-3	SDA	I2C communication SDA from bq76952, bq76942, bq769142, connect SDA_MCU or EV2400 SDA
P2-4	SDA_MCU	I2C communication SDA from MCU
P3	Cn	(n = 0 to 16) Cell monitor, balance, and electronics power connections. P3 is the connector with battery cells.
P4-1	CAN-H	High-level CAN BUS
P4-2	CAN-L	Low-level CAN BUS

Use the following board selections: (1) BQ76942 for 10s, (2) BQ769142 for 14s, and (3) BQ76952 for 16s applications. When used for a variety of applications, different components should be assembled on the board based on 表 3-2.

表 3-2. Guidance on Testing 10s, 14s, 16s Applications

Component	BQ76952	BQ76942	BQ769142
R34	NC	NC	0
R35	NC	NC	0
R46	NC	NC	0
R47	NC	0	NC
R48	NC	0	NC
R49	NC	0	NC
R50	NC	0	NC
R62	0	NC	0
R63	0	NC	0
R64	NC	0	NC
R65	0	NC	0
R66	NC	0	NC
R67	NC	0	NC
R68	0	NC	0
R69	0	NC	0
R70	0	NC	0
R71	NC	NC	0
Other unconnected components		Q11, D14, C12	R81, R60

Another easy way to test 10s–16s applications is to always use the BQ76952 device as the monitor, but short some input channels. 表 3-3 gives the guidance on how to do this with the TIDA-010208 board.

表 3-3. Using the BQ76952 for Different Cell Counts Applications

Cell Count	15s	14s	13s	10s
Cell15-Cell14	Short	Short	Short	Short
Cell14-Cell13	-	Short	Short	Short
Cell13-Cell12	-	-	Short	Short
Cell12-Cell11	-	-	-	Short
Cell11-Cell10	-	-	-	Short
Cell10-Cell9	-	-	-	Short

Regarding secondary protection, the BQ77216 EVM is used to test the performance.

3.1 Hardware Requirements

表 3-4 summarizes the equipment used for testing.

表 3-4. Test Equipment Summary

Equipment	Model or Description
Oscilloscope	Tektronix DPO 2024B
DC Power supply	Chroma 62050P-100-100
Electronic load	Chroma 63106
Multimeter	Agilent 34401A
DC Power supply	DAHUA DH1718G-4
Communication adapter	Texas Instruments EV2300 or EV2400
MSP430 programmer	MSP430 LaunchPad™
BQ77216 EVM	BQ77216 EVM

BQStudio is recommended for the first time to debug the board, it is available on ti.com.

3.2 Test Setup

Use the following procedures before running this design board. The design was constructed with 16S pack configurations, for other cell counts considerations, refer to Table 3-2 or Table 3-3 to modify the components. The board was tested using DC source and 4900- μ F electrolytic capacitor in parallel to simulate the total pack. Sixteen 1-k Ω resistors in series are used to divide the pack voltage and simulate 16s battery cells.

図 3-1 shows the charge process setup example. DC source 1 configurations: 58 V – 3 A. DC source 2 configurations: 48 V – 0.5 A. Electronic load configurations: 48-V CV mode.

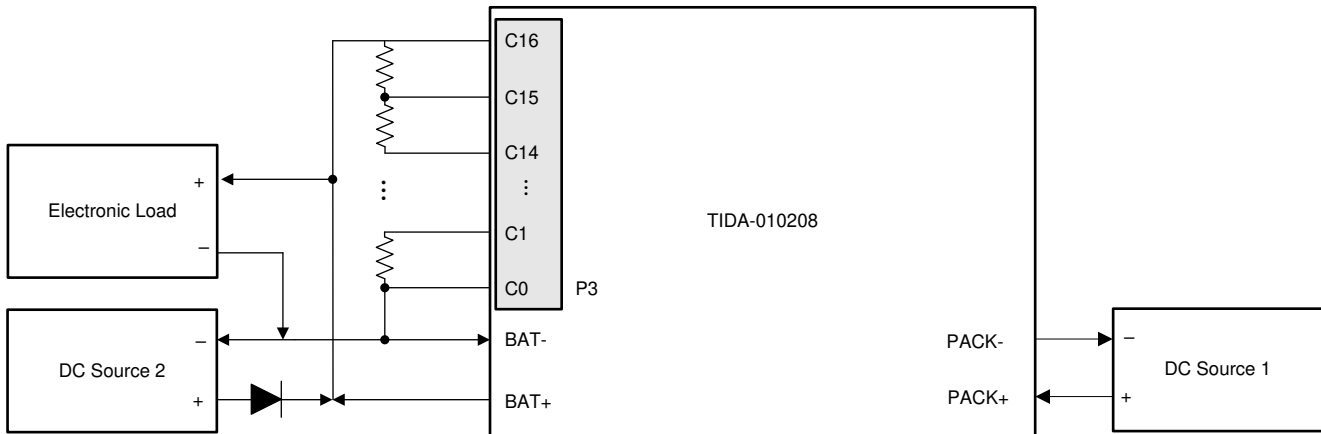
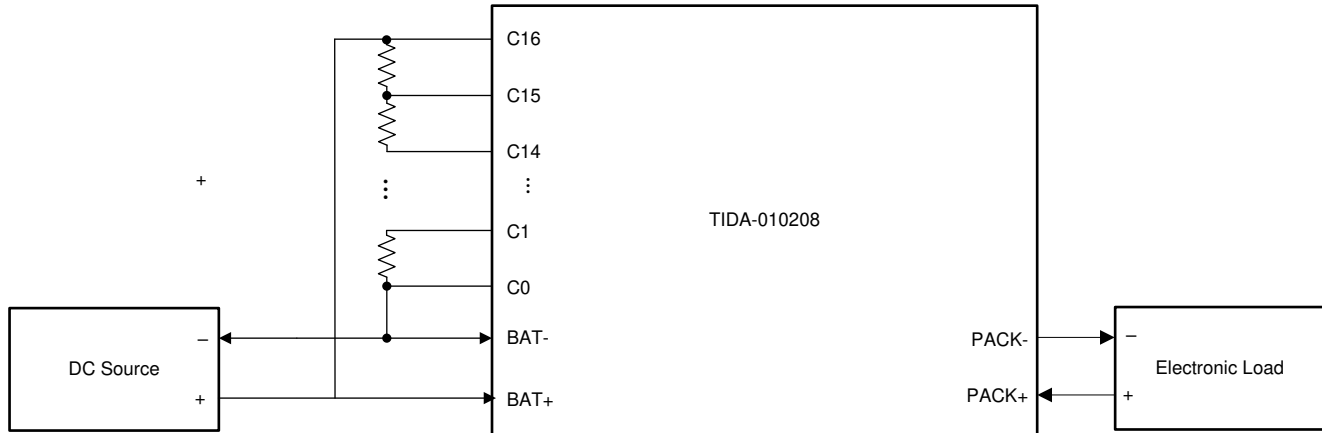


図 3-1. Charge Setup

☒ 3-2 shows the discharge process setup example. DC source 1 configurations: 48 V - 20 A. Electronic load configurations: CC mode.



☒ 3-2. Discharge Setup

3.3 Test Results

Cell Voltage Accuracy

When testing cell voltage accuracy, a resistor divider should not be used to simulate battery cells. Since there will be some current flowing into cell input PINs when doing ADC measurement, the resistor divider will cause further voltage drop and make the AFE readings lower than the actual value. It is good to use a real battery for testing. Another easy way is to utilize a DC source to stabilize the cell input voltage. This method was used in the design to test the cell voltage measurement accuracy. ☒ 3-3 shows the cell voltage accuracy data without any further calibrations and under room temperature. All 16 channels of cell voltage error are below ± 5 mV.

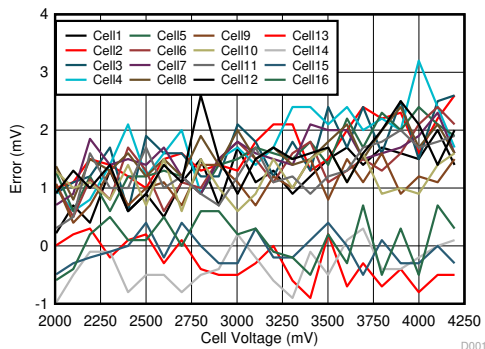


図 3-3. Cell Voltage Accuracy

Pack Current Accuracy

This design uses two parallel 2-mΩ, 2-W, 50-PPM shunt resistors to measure pack current. Board offset was calibrated using the guidance of the Calibration section of the *BQ76952 Evaluation Module User's Guide*. Then Current Gain was calibrated with 5-A discharging current and also followed the guidance of the Calibration section of the *BQ76952 Evaluation Module User's Guide*. It is good to write the Board Offset and Current Gain values with OTP to BQ76952, otherwise the MCU has to store such data and write to BQ76952 every time it wakes up from shutdown mode. 図 3-4 shows the pack current accuracy data under room temperature. The maximum current error is below ±10 mA when discharging current is below 2 A and ±0.5% when discharging current is above 2 A.

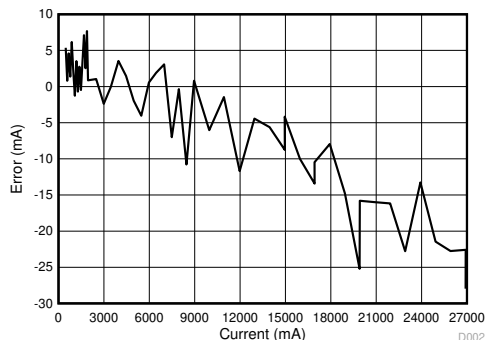


図 3-4. Pack Current Accuracy

Auxiliary Power and System Current Consumption

Thanks to the auxiliary power strategy, this design has very low current consumption, especially when in standby mode and ship mode. System-level current consumption contains 3 parts: (1) DC/DC current, (2) BQ76952 current (current into BQ76952 BAT PIN), (3) LDO current (current into BQ76952 REGIN PIN). This current could be measured from the voltage across (1) R115, (2) R61, and (3) R94. 表 3-5 shows the test results of current consumption.

表 3-5. Current Consumption in Standby and Ship Modes

		R115 (100 Ω)	R61 (100 Ω)	R94 (249 Ω)	Total Current (μA)
Standby Mode	Voltage (mV)	0.66	2.02	11.45	72.8
	Current (μA)	6.6	20.2	46	
Ship Mode	Voltage (mV)	0.66	0	0	6.6
	Current (μA)	6.6	0	0	

Protection

The design integrates a full set of battery cell protections, including: cell overvoltage, cell undervoltage, two levels of overcurrent discharge, overcurrent charge, discharge short circuit, overtemperature and undervoltage protections. Furthermore, this design also monitors loss of system level faults, including: cell open wire, host watch dog, charge and discharge MOSFETs faults, MOSFETs overtemperature and so on. Some of the protections were tested in a TI lab.

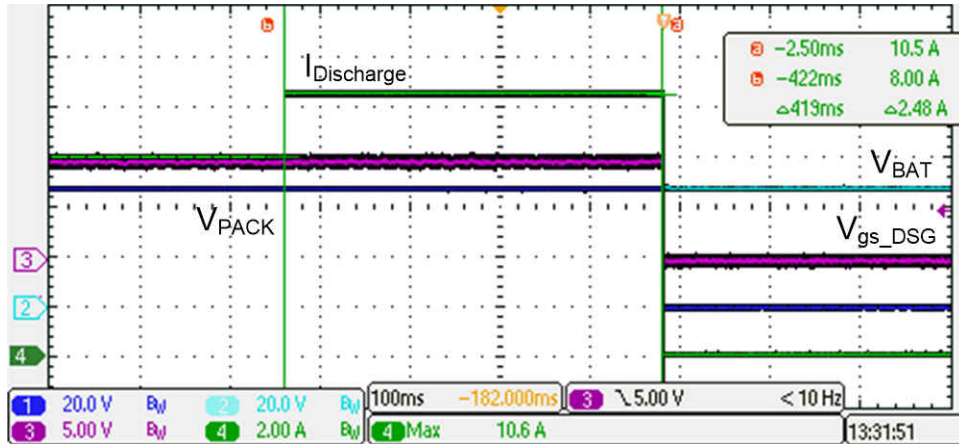


図 3-5. Level 1 Overcurrent Discharge

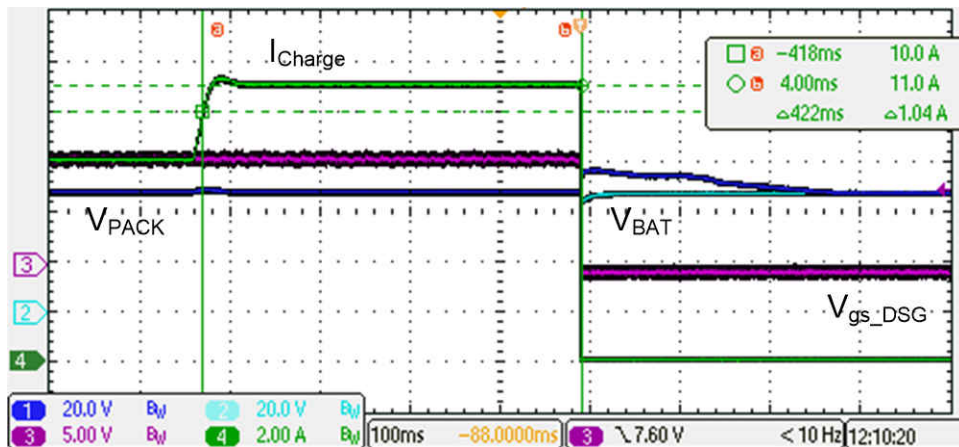


図 3-6. Overcurrent Charge

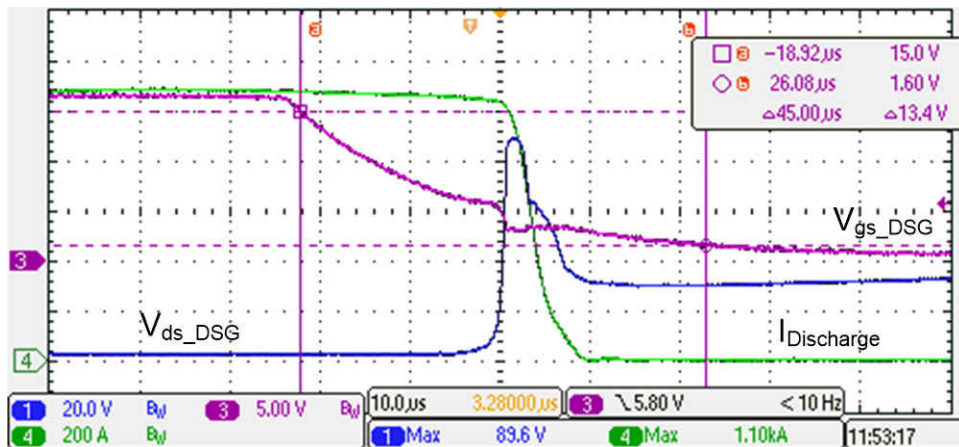


図 3-7. Discharge Short Circuit

This design also gives the individual secondary protections to prevent the hazards from each cell overvoltage, each cell undervoltage and overtemperature. This helps to pass some safety regulations without further work. Secondary overvoltage and undervoltage protections were tested in a TI lab.

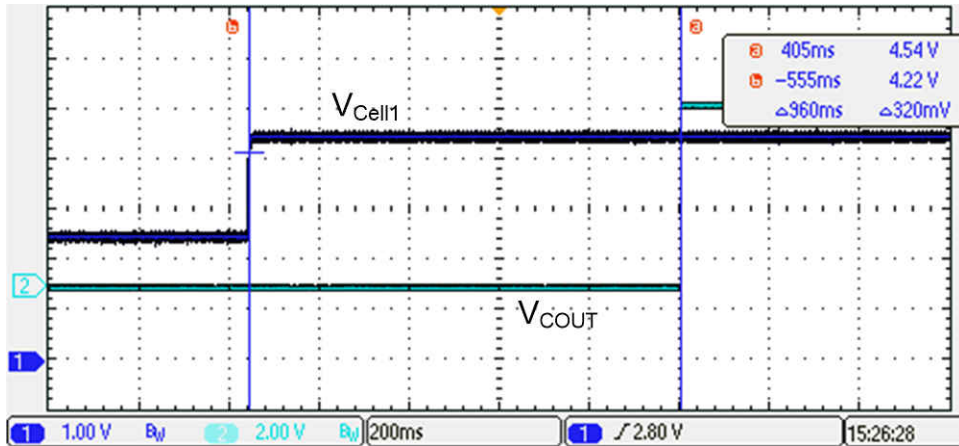


図 3-8. Secondary Overvoltage Protection

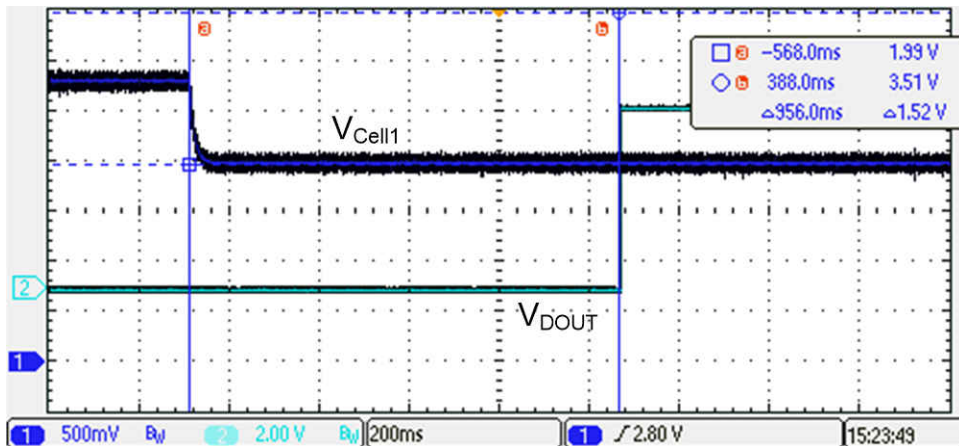


図 3-9. Secondary Undervoltage Protection

Cell Balancing

The design board supports external cell balancing with 16 N-channel MOSFETs. The peak balancing current is 117 mA with 4-V cell voltage, 99 mA flows through external balancing resistor and MOSFET, 18 mA flows through the BQ76952 device. This design only balances non-adjacent cells in use. The conditions that will trigger cell balancing are: minimum cell voltage is larger than 3500 mV, maximum cell voltage gap is larger than 40 mV, and cell temperature is between -20°C to 60°C . The external cell balancing performance is shown as [Figure 3-10](#). Cell balancing duty is about 85%.

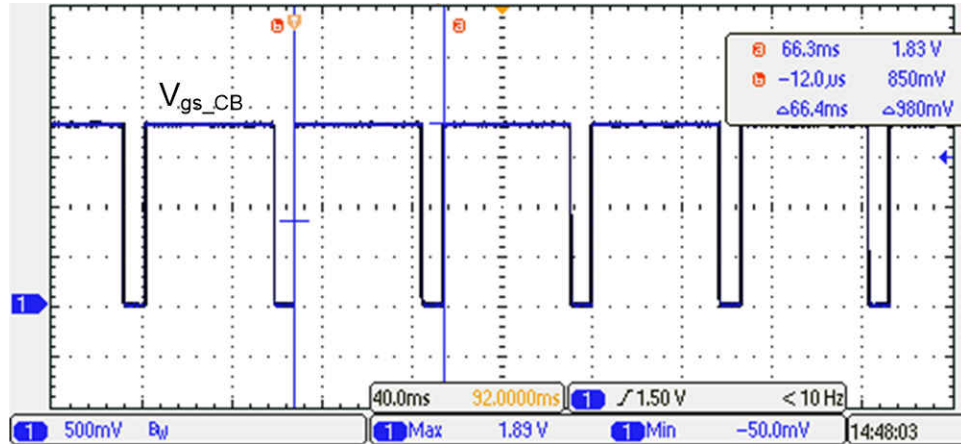


図 3-10. External Cell Balancing

Working Modes Transition

This design has 3 working modes: normal mode, standby mode, and ship mode. When the pack is charging or discharging, it is in normal mode. Sleep mode is when no charging nor discharging, the pack is waiting for charger or load attachment. Shutdown mode is a very low current consumption mode which saves energy and helps to avoid battery over discharge when the pack or cell voltage is low. Different working mode transition are shown in [Fig 3-11](#) to [Fig 3-14](#).

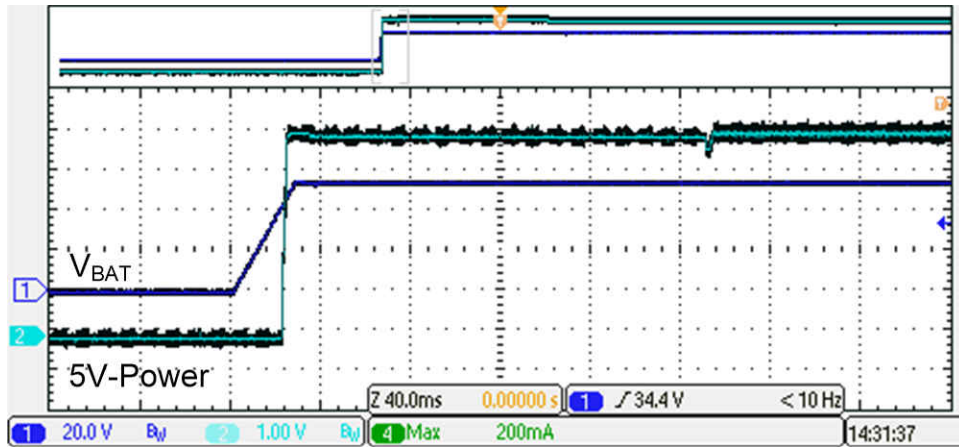


図 3-11. Shutdown Mode to Normal Mode

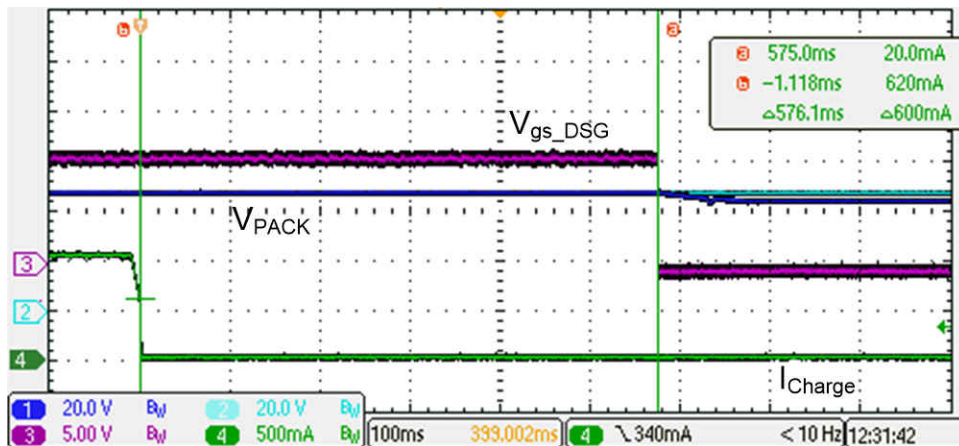


図 3-12. Normal Mode (Charging) to Standby Mode

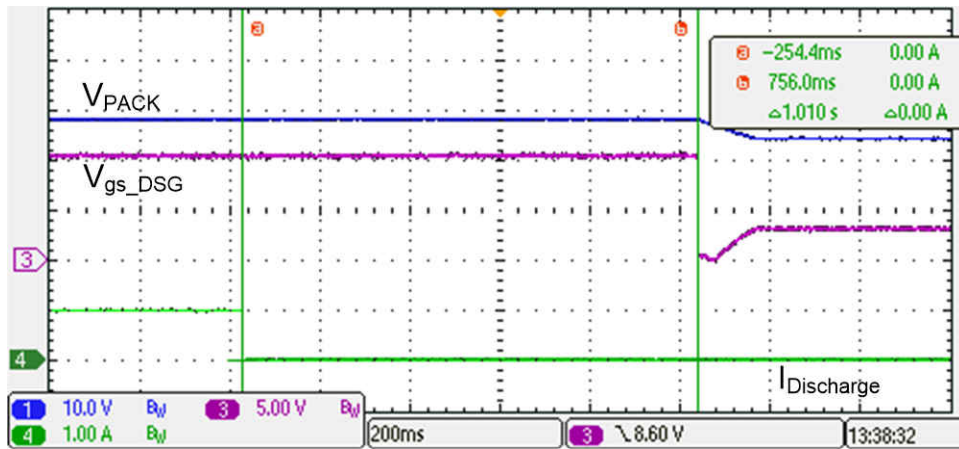


図 3-13. Normal Mode (Discharging) to Standby Mode

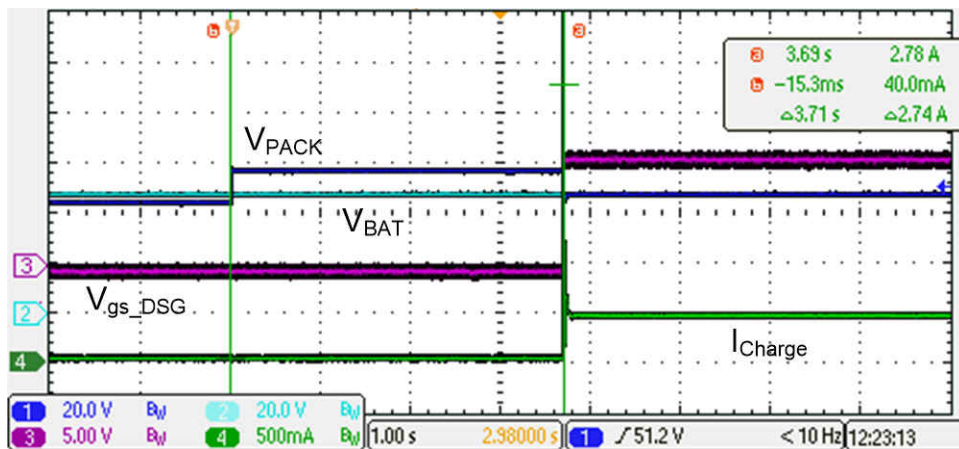


図 3-14. Standby Mode to Normal Mode (Charge)

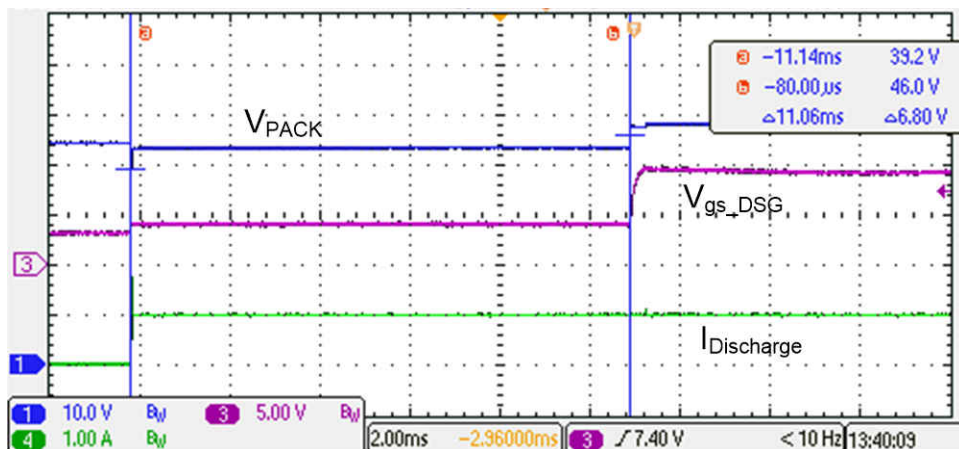


図 3-15. Standby Mode to Normal Mode (Discharging)

ESD Performance

The ESD performance of this design was tested in a TI lab per IEC 61000 - 4 - 2. Isolated DC source and resistor divider are used to simulate battery pack. Only ESD contact discharge was tested and the test results are listed in [表 3-6](#).

表 3-6. ESD Performance

Voltage	Applied Terminal	
	PACK+	PACK-
2 kV	PASS	PASS
-2 kV	PASS	PASS
4 kV	PASS	PASS
-4 kV	PASS	PASS
8 kV	PASS	PASS
-8 kV	PASS	PASS

4 Design and Documentation Support

4.1 Design Files

4.1.1 Schematics

To download the schematics, see the design files at [TIDA-010208](#).

4.1.2 BOM

To download the bill of materials (BOM), see the design files at [TIDA-010208](#).

4.2 Tools and Software

Tools

[Battery Management Studio \(bqStudio\) Software](#)

Tools to assist with the process of evaluating, designing with, configuring, testing, or otherwise utilizing TI Battery management products.

[BQ76952, BQ76942 MSP430 Code Examples](#)

MSP430 based code examples to communicate with BQ76952, BQ76942.

[LM5163 and LM5164 converter quickstart design tool](#)

This standalone tool facilitates and assists the power supply engineer with design of a DC/DC buck converter based on the LM5163 and LM5164 low IQ synchronous buck DC/DC regulator.

4.3 サポート・リソース

[TI E2E™ サポート・フォーラム](#)は、エンジニアが検証済みの回答と設計に関するヒントをエキスパートから迅速かつ直接得ることができる場所です。既存の回答を検索したり、独自の質問をしたりすることで、設計に必要な支援を迅速に得ることができます。

リンクされているコンテンツは、該当する貢献者により、現状のまま提供されるものです。これらは TI の仕様を構成するものではなく、必ずしも TI の見解を反映したものではありません。TI の[使用条件](#)を参照してください。

4.4 Trademarks

TI E2E™ are trademarks of Texas Instruments.
すべての商標は、それぞれの所有者に帰属します。

5 About the Author

Ryan Tan, system engineer from the SEM Industrial Power Delivery team, focuses on industrial battery pack applications and has created several solutions to address industrial battery pack design challenges.

重要なお知らせと免責事項

TI は、技術データと信頼性データ(データシートを含みます)、設計リソース(リファレンス・デザインを含みます)、アプリケーションや設計に関する各種アドバイス、Web ツール、安全性情報、その他のリソースを、欠陥が存在する可能性のある「現状のまま」提供しており、商品性および特定目的に対する適合性の黙示保証、第三者の知的財産権の非侵害保証を含むいかなる保証も、明示的または黙示的にかかわらず拒否します。

これらのリソースは、TI 製品を使用する設計の経験を積んだ開発者への提供を意図したものです。(1) お客様のアプリケーションに適した TI 製品の選定、(2) お客様のアプリケーションの設計、検証、試験、(3) お客様のアプリケーションに該当する各種規格や、その他のあらゆる安全性、セキュリティ、規制、または他の要件への確実な適合に関する責任を、お客様のみが単独で負うものとし、

上記の各種リソースは、予告なく変更される可能性があります。これらのリソースは、リソースで説明されている TI 製品を使用するアプリケーションの開発の目的でのみ、TI はその使用をお客様に許諾します。これらのリソースに関して、他の目的で複製することや掲載することは禁止されています。TI や第三者の知的財産権のライセンスが付与されている訳ではありません。お客様は、これらのリソースを自身で使用した結果発生するあらゆる申し立て、損害、費用、損失、責任について、TI およびその代理人を完全に補償するものとし、TI は一切の責任を拒否します。

TI の製品は、[TI の販売条件](#)、または [ti.com](https://www.ti.com) やかかる TI 製品の関連資料などのいずれかを通じて提供する適用可能な条項の下で提供されています。TI がこれらのリソースを提供することは、適用される TI の保証または他の保証の放棄の拡大や変更を意味するものではありません。

お客様がいかなる追加条項または代替条項を提案した場合でも、TI はそれらに異議を唱え、拒否します。

郵送先住所 : Texas Instruments, Post Office Box 655303, Dallas, Texas 75265

Copyright © 2022, Texas Instruments Incorporated