

デザイン・ガイド: TIDA-01028

高速オシロスコープおよび広帯域デジタイザ向けの 12.8GSPS アナログ・フロント・エンドのリファレンス・デザイン



概要

このリファレンス・デザインは、インターリーブした RF サンプリングのアナログ/デジタル・コンバータ (ADC) を使用して、12.8GSPS のサンプリング速度を実現する例を示すものです。これは、2 つの RF サンプリング ADC を時間インターリーブすることで行われます。インターリーブには、ADC 間の位相シフトが必要です。このリファレンス・デザインでは、ADC12DJ3200 のノイズレス・アパーチャ遅延調整 (tAD Adjust) 機能を使用して、これを行います。この機能は、インターリーブした ADC に特有の不一致を最小化し、SNR、ENOB、SFDR 性能を最大化するためにも使用されます。このリファレンス・デザインは、JESD204B をサポートする低位相ノイズのクロック・ツリーも特長で、LMX2594 広帯域 PLL と LMK04828 シンセサイザおよびジッタ・クリーナーを使用して実装されています。

3.4.3 に示すテスト結果は、2.0GHz の入力帯域幅 (インターリーブ・スプリアスを除去しない状態) で 7.5 ビットの ENOB を示しており、8.0 ビット、12.8GSPS の高速オシロスコープ・アプリケーションに十分に対応可能です。

リソース

| | |
|--|------------|
| TIDA-01028 | デザイン・フォルダ |
| ADC12DJ3200 | プロダクト・フォルダ |
| LMK04828, LMX2594, LMK61E2 | プロダクト・フォルダ |
| LMH6401, LMH5401 | プロダクト・フォルダ |
| TPS259261 | プロダクト・フォルダ |
| TIDA-01027 | デザイン・フォルダ |
| ADC12DJ3200EVM | ツール・フォルダ |
| TSW14J57EVM | ツール・フォルダ |

特長

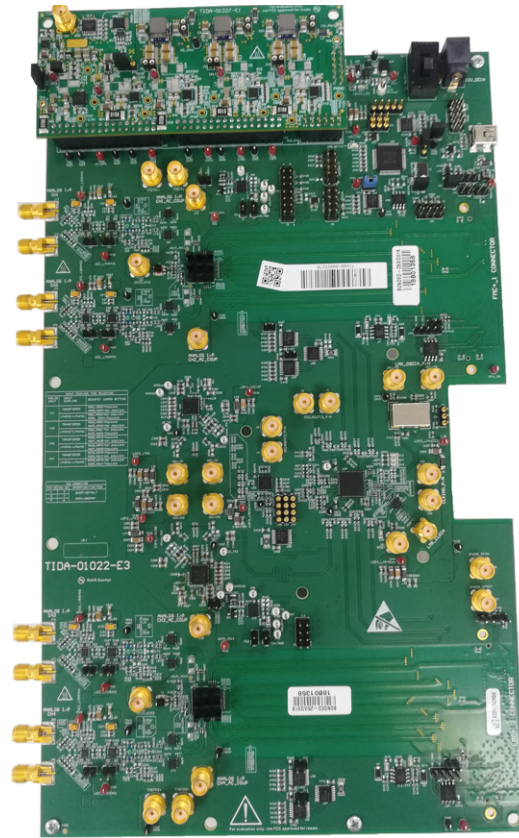
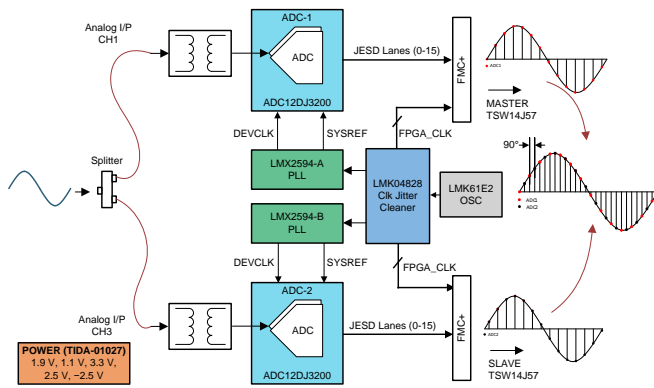
- 時間インターリーブされた 12 ビットの RF サンプリング ADC を使用して、最大 12.8GSPS のサンプリング速度を実現
- アナログ・フロント・エンドは最大 6GHz の帯域幅をサポート
- サンプル・クロックの位相の微調整 (19fs の分解能)
- 複数の ADC の位相同期
- 12V 入力で効率が 85% を超えるコンパニオン電源のリファレンス・デザイン
- JESD204B、8/16/32 の JESD レーン、レーンごとに最大 12.8Gbps のデータ速度をサポート
- TI の TSW14J57EVM キャプチャ・カードと互換の FMC+ コネクタ付き

アプリケーション

- [高性能オシロスコープ \(DSO\)](#)
- [高速デジタイザ \(DAQ\)](#)



ご質問はE2E™ サポート・フォーラムに移動

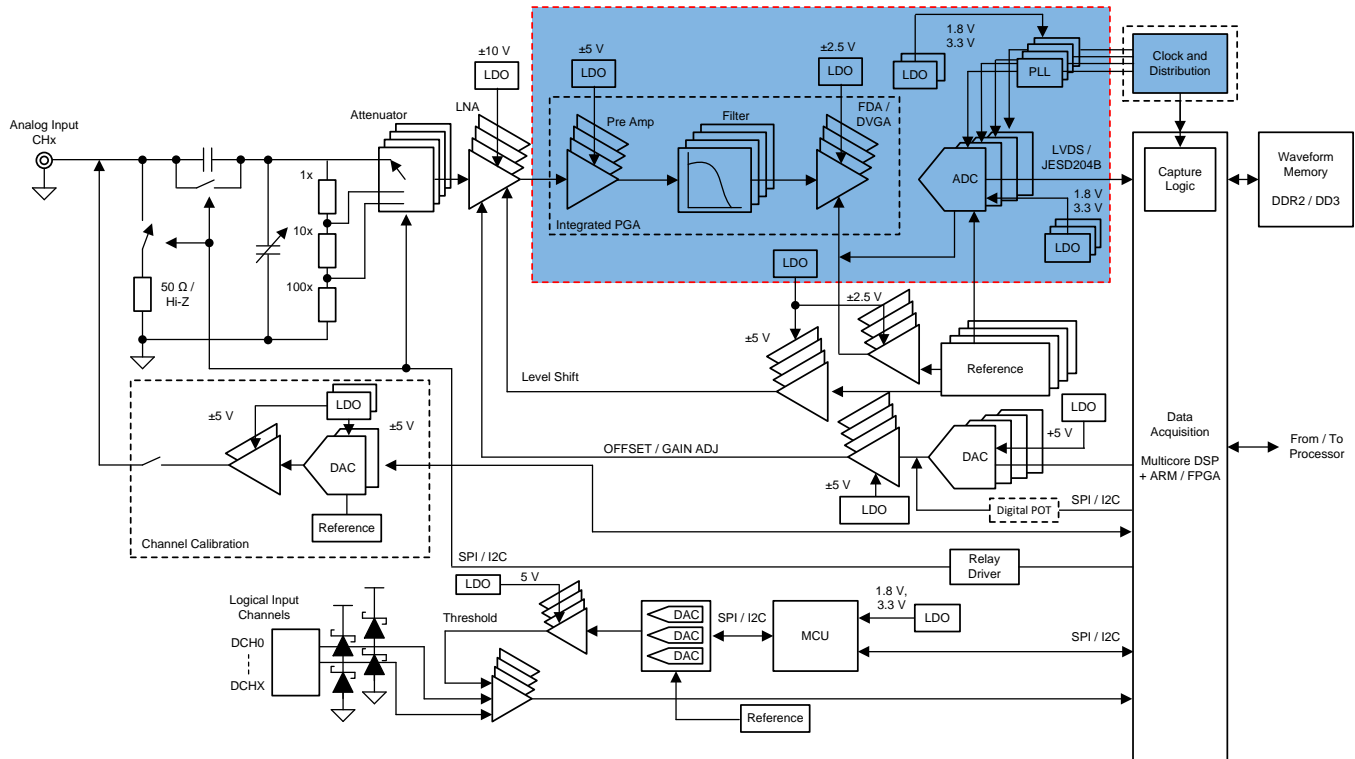


使用許可、知的財産、その他免責事項は、最終ページにあるIMPORTANT NOTICE (重要な注意事項)をご参照くださいますようお願いいたします。

1 System Description

図 1 and 図 2 show the subsystem block diagrams of the high-performance DSO and high-speed wideband DAQ, respectively. The analog front end (AFE) and system clocking architecture are similar for both applications and a number of similarities can be seen between these two.

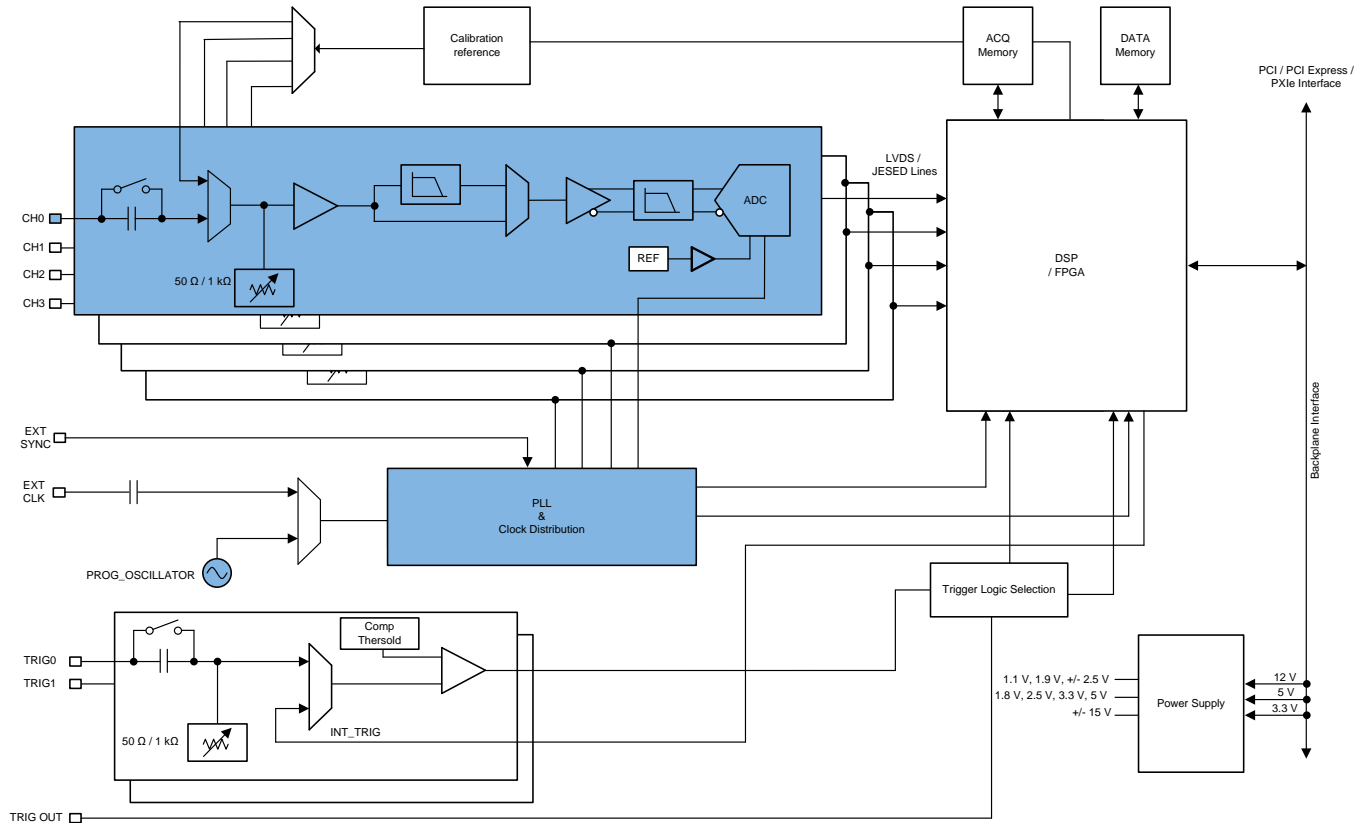
図 1. High-Performance DSO AFE Subsystem



High-performance multichannel digital storage oscilloscopes require a signal chain with a wideband AFE, high dynamic range (SFDR), high SNR, and low channel-to-channel skew. Most high-speed oscilloscopes use 8-bit vertical resolution for waveform visualization but technological development demands new generation scopes at 12- to 16-bit resolutions. The analog bandwidth in the order of the 200-MHz to 5-GHz range requires a sampling rate from 5 to hundreds of GSPS.

Typically, oscilloscopes have embedded wide displays and advanced triggering with the probing capability necessary for debugging and development for high-speed digital testing, high-speed serial protocols, and radar and wideband communication systems.

図 2. High-Performance DAQ AFE Subsystem



In contrast with digital oscilloscopes, high-speed wideband digitizers require a higher resolution and a wide dynamic range. Typically, these systems have a minimum level of front-end attenuation and their maximum input ranges are limited. The data captured is transferred to a controller via a high-speed, multi-lane PCIe bus or a high-speed SERDES interface. After post processing, results are displayed in the frequency domain. Most of the analysis is done in application software and displayed at the controller so there is no need for an embedded display which is used in an oscilloscope. The digitizer is a good choice for ATE applications and high-density multi-channel systems.

The addition of advanced triggering and user programmability enables the digitizer to be used as a wideband oscilloscope and vice versa.

The ADC is the main component limiting the performance of the system. Single ADC cores with higher sample rates and wider bandwidths require large investments. However, time interleaving multiple ADCs help achieve a higher sample rate with lower cost. Precise multi-channel clock-phase alignment capability and ADC channel characteristic matching is required to reduce interleaving errors and achieve the required system ENOB.

This TI design helps to address onboard time interleaving ADC design challenges and demonstrates how to minimize timing errors to achieve system SNR, SFDR, and ENOB performance.

1.1 Key System Specifications

表 1 lists the key system level specifications for the TIDA-01028 board.

表 1. Key System Specifications

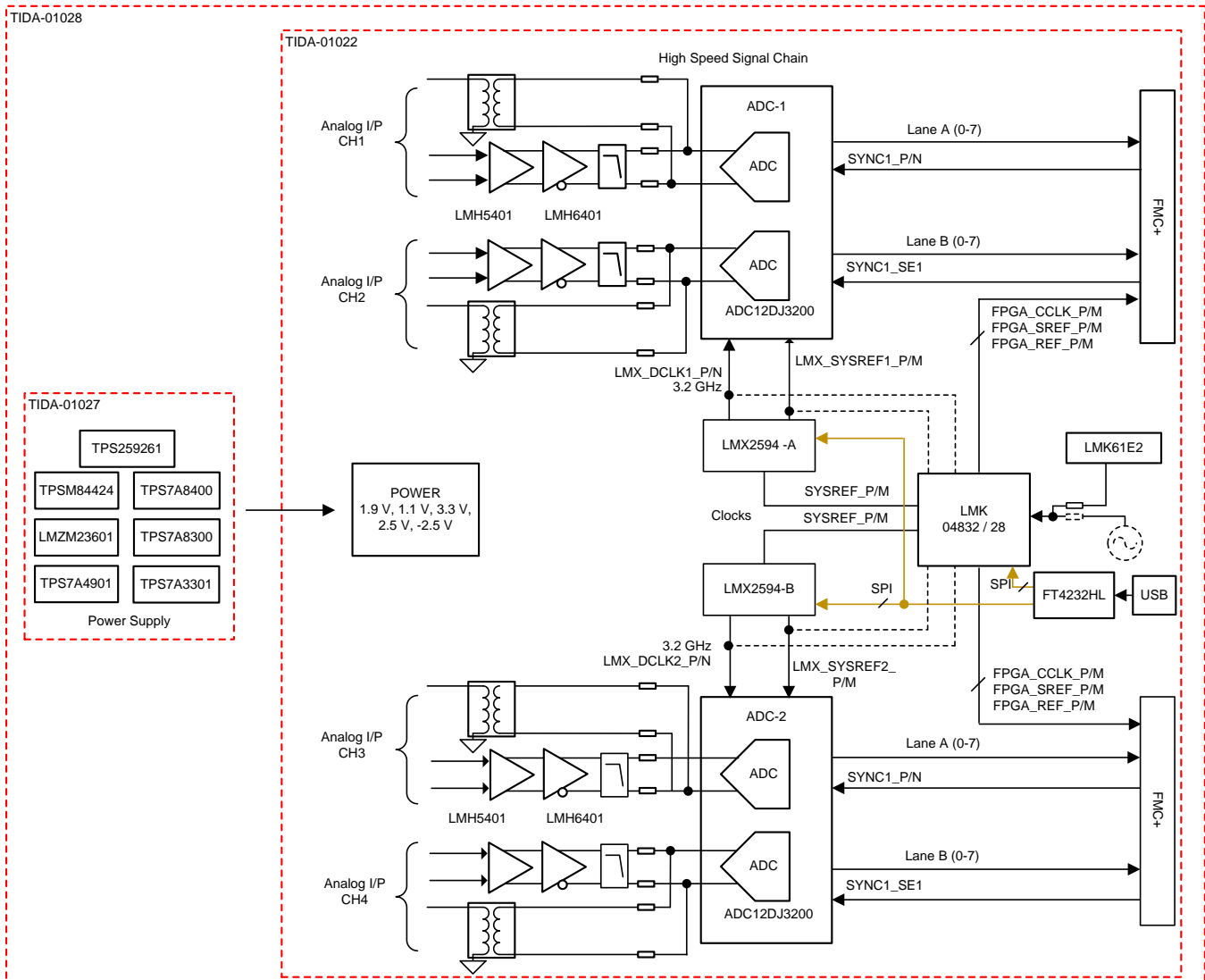
| PARAMETER | SPECIFICATIONS | | | DETAILS |
|---|---|---------------------|----------------------|---------|
| Input channels | 2 channels (On-chip interleaving) | | | |
| | 1 channel (Onboard interleaving) | | | |
| Input type | Single ended | | | |
| Input impedance | 50 Ω | | | |
| Input analog bandwidth (-3 dB) | Transformer input | | | |
| | 6 GHz | | | |
| Maximum sample rate | 6.4 GSPS – 2 channels | | | 3.4.3 |
| | 12.8 GSPS – 1 channel | | | |
| Resolution | 12 bit | | | |
| System performance (-1 dB full scale) FS = 12.8 GHz | SNR | SFDR | ENOB | 3.4.3 |
| | 54.9 dB at 797 MHz | 68.8 dB at 797 MHz | 8.8 bits at 797 MHz | |
| | 55.0 dB at 997 MHz | 63.5 dB at 997 MHz | 8.7 bits at 997 MHz | |
| | 54.4 dB at 1497 MHz | 67.6 dB at 1497 MHz | 8.7 bits at 1497 MHz | |
| Connectors | 560 pin FMC+ interface connector support TSW14J57 high-speed capture card | | | |
| Power | 12 V DC, 4 A | | | 表 6 |
| Form factor (L x W) | 295 mm x 176 mm | | | |

2 System Overview

2.1 Block Diagram

Figure 3 shows the system-level block diagram of the TIDA-01028 design, which was developed using the hardware from the *Flexible 3.2 GSPS Multi-Channel AFE Reference Design for DSOs, RADAR, and 5G Wireless Test Systems (TIDA-01022)* along with the *Power Reference Design Maximizing Signal Chain ENOB in Very High Speed DAQ systems (TIDA-01027)*.

Figure 3. TIDA-01028 System Block Diagram



2.2 System Design Theory

In both high-speed oscilloscopes and digitizers, the total system performance is determined by the core ADC, jitter introduced by the clocking solution, and the analog front end signal chain, typically containing input attenuators, amplifiers, and filter blocks. To maximize system ENOB, the error sources from these companion devices must be minimized. These error sources and their impact are analyzed in the following sections.

2.2.1 Noise Sources and Coupling Path

Given an ideal data converter, the maximum SNR is determined by the quantization noise of the ADC as represented by 式 1:

$$SNR_{QUANT} = 6.02 \times B + 1.76 \text{ (dB)} \tag{1}$$

図 4. ADC Noise Sources

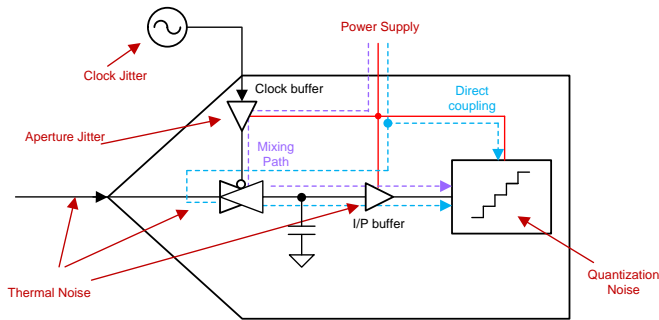


図 5. Spur due to Power-Supply Noise Coupling

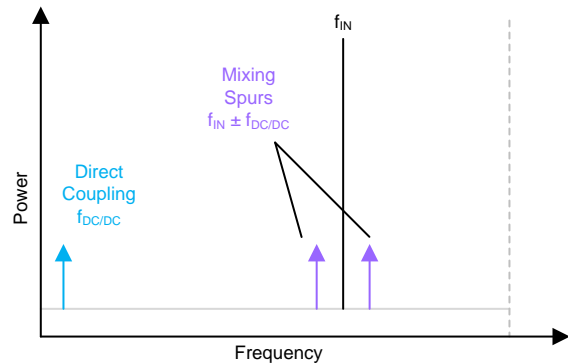


図 4, illustrates the typical noise sources degrading converter performance are thermal noise, converter aperture jitter, clocking jitter, and the quantization noise of the converter itself. Furthermore, power supply noise can be directly coupled or mixed with the input signal as 図 5 shows.

Total SNR is calculated with the sum of the individual noise sources:

$$SNR_{total} = 10 \log \left(\frac{1}{10^{-\frac{SNR_{QUANT}}{10}} + 10^{-\frac{SNR_{JITTER}}{10}} + 10^{-\frac{SNR_{THERM}}{10}}} \right)$$

where

- SNR_{QUANT} = SNR due to quantization
- SNR_{JITTER} = SNR due to clock and aperture jitter
- SNR_{THERM} = SNR due to thermal and transistor noise

図 6 shows SNR impact due to clock jitter (external clock jitter + internal ADC aperture jitter) which is calculated based on 式 3:

$$SNR_{JITTER} [dB] = -20 \log(2\pi \times F_{IN} \times T_{JITTER}) \tag{3}$$

図 6. SNR Impact of Clock Jitter

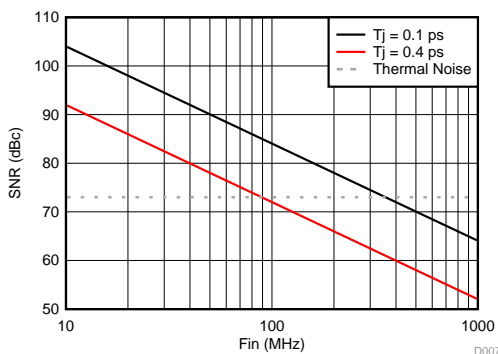


図 7. Resultant SNR due to Jitter and Thermal Noise

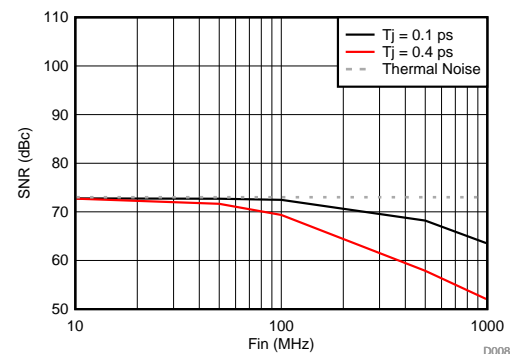


図 7 shows the resultant SNR plot due to clock jitter and thermal noise source calculated in 式 2, SNR degrades due to noise source with increasing input signal frequency.

Also the front end noise, harmonic distortion, and interleaving distortion further reduce the effectiveness of system performance

2.2.2 Interleave Design Challenges

To achieve higher sample rates, multiple ADCs are time interleaved into a single or composite ADC. Each ADC is sampled at the same time period with equally-spaced time intervals and then the captured data is formatted to achieve higher sample rates. To achieve accurate sampling, the individual ADCs offset, gain, and phase between ADCs should be exactly matched. However, in practical terms this is not possible and mismatch must be managed and minimized, otherwise system performance is degraded by the introduction of interleaving spurs.

図 8. 2x ADC Interleaved Non-Ideal ADC

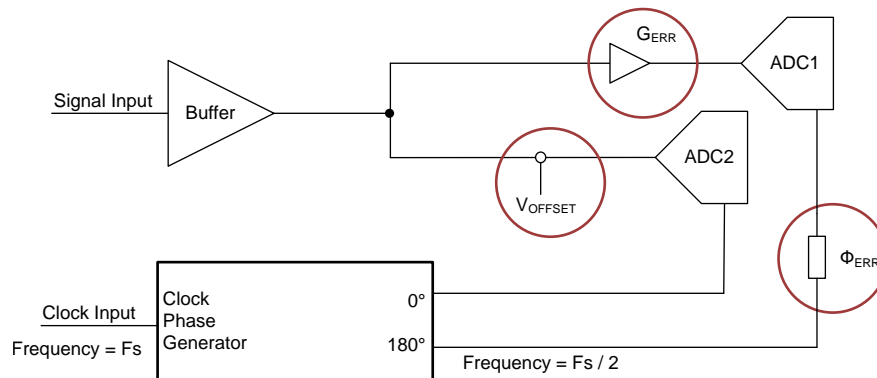


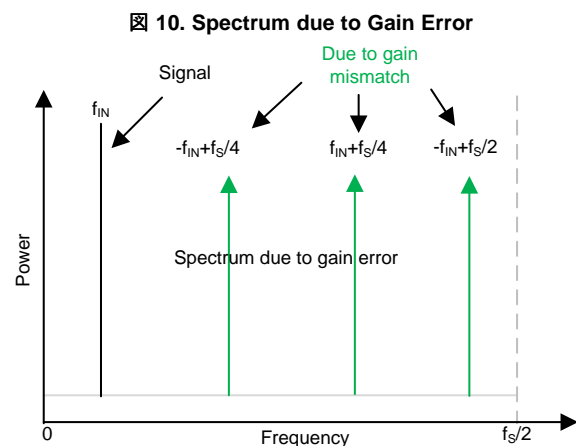
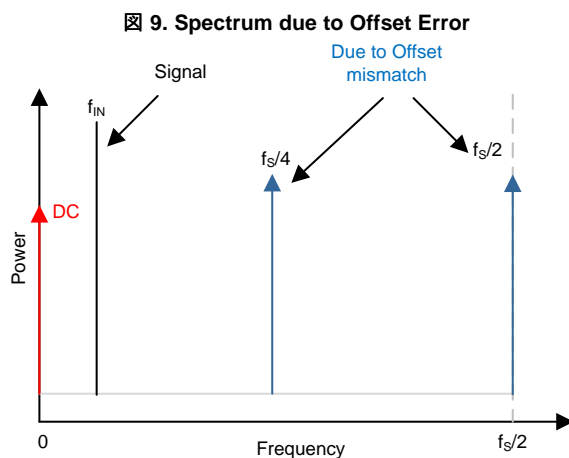
図 8 shows a two-ADC interleaved system with typical error sources like offset error, gain error, and time mismatch error between two ADCs which generate predictable spurs in the spectrum of the system.

2.2.3 Offset, Gain, Time Mismatch

Offset mismatch between the input buffer of the ADC, signal chain components like input amplifiers and attenuators create spurs at the DC, $F_s/4$, and $F_s/2$ location in the spectrum.

Gain mismatch between the ADC input buffer and input signal chain will create spurs at $\pm f_{in}$, $+ F_s/4$, and $-f_{in} + F_s/2$.

Similar to gain mismatch, time mismatch will also create spurs at $\pm f_{in} + F_s/4$, and $-f_{in} + F_s/2$.



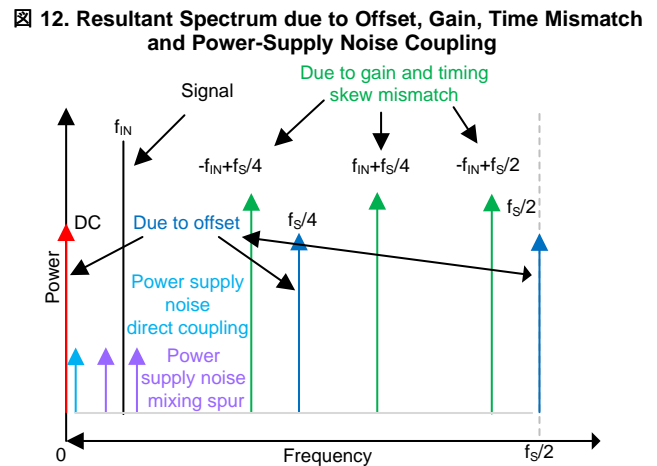
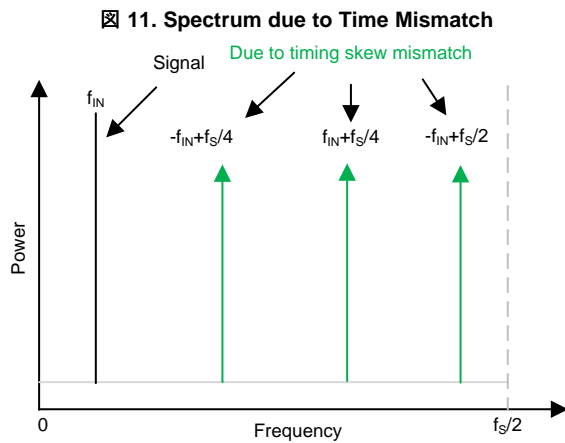
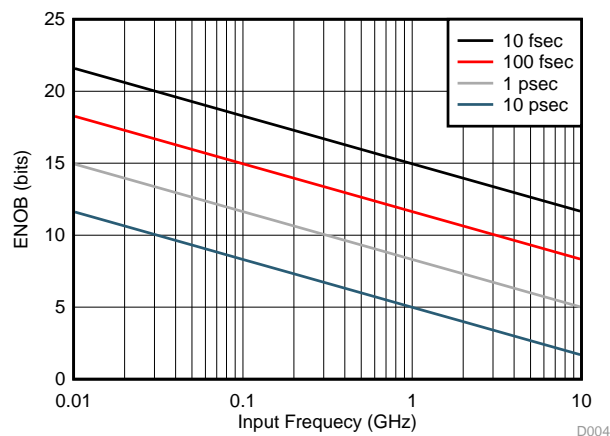


図 13 shows how the system ENOB performance changes with clock skew variations and how it depends on input signal frequency. 式 5 shows that the system ENOB calculation is based on SNR which decreases as a square of clock skew and input-signal frequency.

$$ENOB = \frac{(SNR - 1.76)}{6.02} \quad [Bits] \tag{4}$$

$$SNR = \frac{3}{2\pi^2 \Delta T^2 f_{sig}^2} \tag{5}$$

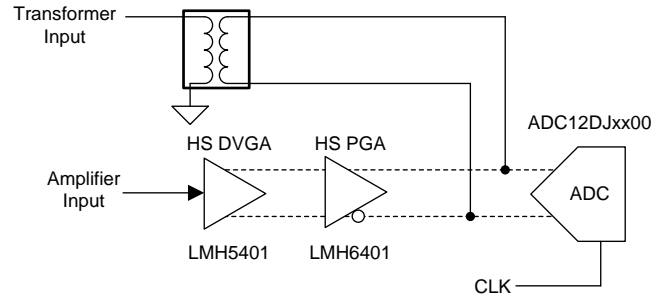
図 13. ENOB vs Input Frequency, Skew



2.3 Circuit Design

2.3.1 Analog Input Front End

図 14 shows the analog front end circuit of the TIDA-01022. A flexible analog input allows validation of the system performance with two different input paths; each input can accept the signal from either the transformer or the amplifier chain, based on hardware jumper selection. All channels are well matched in terms of path delay, clock routing, and so forth.

図 14. TIDA-01022 Analog Front End


The transformer inputs are designed with Marki™ Microwave Balun BAL-0006SMG parts, which support an input signal of 500 kHz to 6 GHz. The amplifier input path supports frequencies from DC to approximately 1.5 GHz. Detailed circuit information is found in [Flexible 3.2-GSPS Multichannel AFE Reference Design DSOs, RADAR, and 5G Wireless Test Systems](#), the TIDA-01022 design guide.

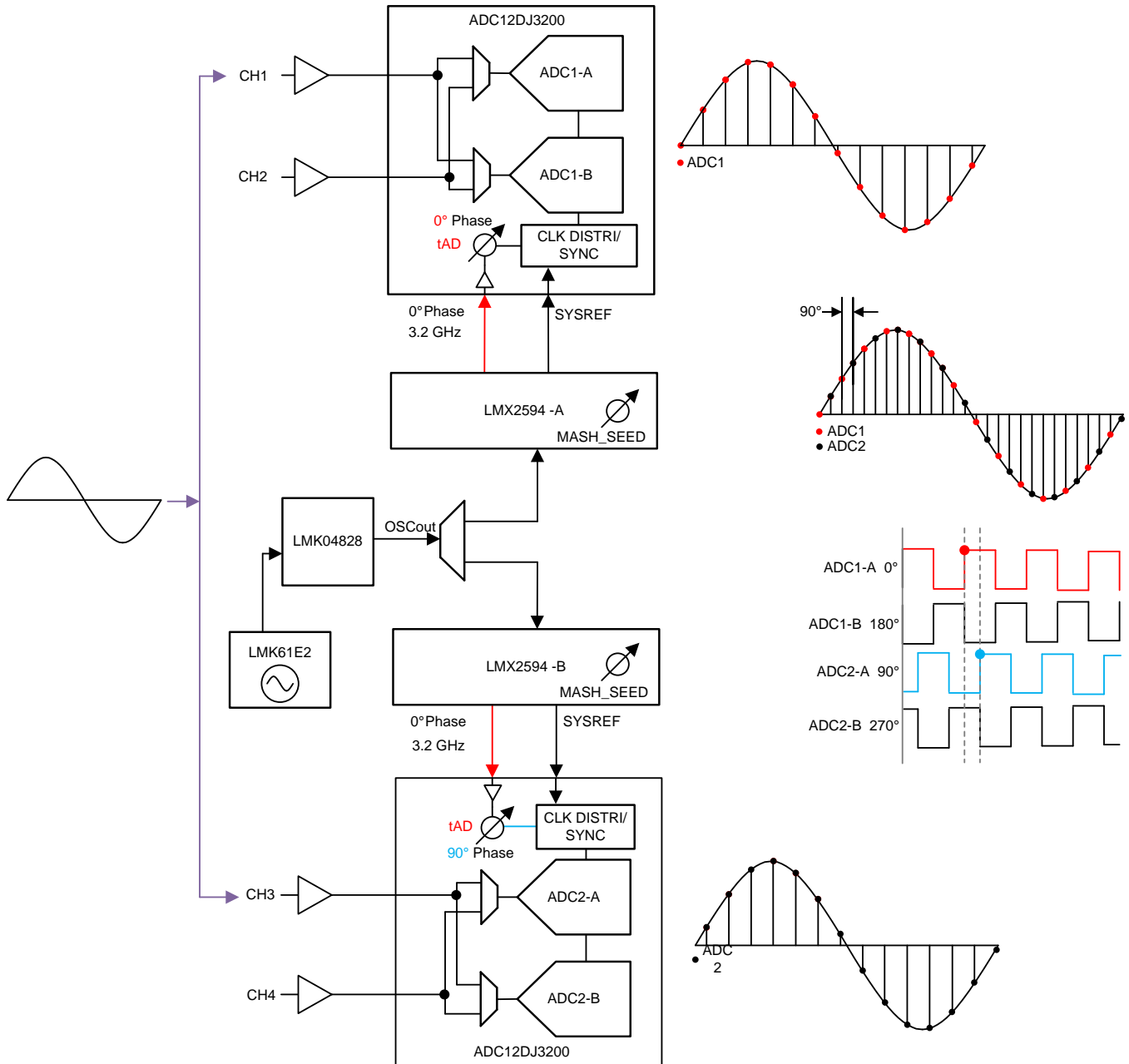
2.3.2 High-Speed Multi-Channel Clocking With Programmable Clock Phase

The TIDA-01022 hardware has a flexible clocking platform which helps designers validate system performance with various clocking source options. The default onboard clocking solution uses the LMX2594 clock synthesizer which has excellent phase noise at high frequency. A clock distribution chip, the LMK04828 device, is used to provide the reference signal to LMX2594, FPGA DCLK, FPGA_CORECLK, and FPGA_SYSREF.

2.3.2.1 Interleave Clock Requirement

图 15 shows the clock architecture of the TIDA-01022 design and the timing relation that can be used to interleave the onboard ADCs (ADC12DJ3200).

図 15. TIDA-01028 Interleave Clock Architecture



The ADC_SYSREF, FPGA_CORECLK, FPGA_REFCLK, and FPGA_SYSREF to be calculated based the ADC device clock (ADC_DEVCLK) requirement and SERDES lanes used for capture.

To achieve a 12.8-GSPS sample rate, the following clocks were generated by the onboard clocking solution provided in this design.

- ADC_DEVCLK = 3.2 GHz; to operate ADC in 6.4 GSPS single-channel mode
- ADC_SYSREF = 40 MHz
- FPGA_CORECLK = 320 MHz
- FPGA_REFCLK = 320 MHz
- FPGA_SYSREF = 40 MHz

SERDES lane rate = 8

Both the LMX2594-A and LMX2594-B devices are configured to generate 3.2 GHz at RFOutA for DEVCLK and 40 MHz at RFOutB for SYSREF from the 40-MHz reference at the OSCin input which is connected to the OSCout of the LMK04828 device via the LMK00304 clock buffer.

The LMK04828 device is used to provide the required FPGA clocks. 表 2, 表 3, and 表 4, show the signal definitions and clock output frequency.

表 2. LMK04828 Clock Definition for TIDA-01028

| Sln0 | LMK04828 SIGNALS | FREQUENCY OUTPUT | REMARKS |
|------|------------------|------------------|---|
| 1 | OSCout p/n | 40 MHz | Connected to LMX2594 reference input for generation ADC DEVCLK and SYSREF |
| 2 | DCLKOUT0 p/n | - | Not used |
| 3 | SDCLKOUT1 p/n | - | Not used, LMX SYSREF or LMX SYSREFREQ |
| 4 | DCLKOUT2 p/n | - | Not used |
| 5 | SDCLKOUT3 p/n | - | Not used, LMX SYSREF or LMX SYSREFREQ |
| 6 | DCLKOUT4 p/n | 320 MHz | FPGA_REF CLK, connected slave to capture FPGA |
| 7 | SDCLKOUT5 p/n | - | SYNC signal to LMX2594-B |
| 8 | DCLKOUT6 p/n | 320 MHz | FPGA_CORE CLK, connected slave to capture FPGA |
| 9 | SDCLKOUT7 p/n | 40 MHz | FPGA_SYSREF, connected slave to capture FPGA |
| 10 | DCLKOUT8 p/n | 320 MHz | FPGA_CORE CLK, connected master to capture FPGA |
| 11 | SDCLKOUT9 p/n | 40 MHz | FPGA_SYSREF, connected master to capture FPGA |
| 12 | DCLKOUT10 p/n | 320 MHz | FPGA_REF CLK, connected master to capture FPGA |
| 13 | SDCLKOUT11 p/n | - | SYNC signal to LMX2594-A |
| 14 | DCLKOUT12 p/n | - | Not used |
| 15 | SDCLKOUT13 p/n | - | Not used |

表 3. LMX2594-A Clock Definition for TIDA-01028

| Sln0 | LMX2594-A | FREQUENCY OUTPUT | REMARKS |
|------|------------|------------------|---------------------------------------|
| 1 | OSCin p/n | 40 MHz | Connected to OSCout p/n of LMK04828 |
| 2 | RFoutA p/n | 3200 MHz | Connected to ADC-1 device clock input |
| 3 | RFoutB p/n | 40 MHz | Connected to ADC-1 SYSREF input |

表 4. LMX2594-B Clock Definition for TIDA-01028

| Sln0 | LMX2594-B | FREQUENCY OUTPUT | REMARKS |
|------|------------|------------------|---------------------------------------|
| 1 | OSCin p/n | 40 MHz | Connected to OSCout p/n of LMK04828 |
| 2 | RFoutA p/n | 3200 MHz | Connected to ADC-2 device clock input |
| 3 | RFoutB p/n | 40 MHz | Connected to ADC-2 SYSREF input |

Once all the clocks are generated, a 90° phase difference between the two ADC channels can be established with the following procedure.

The TICSPRO GUI helps to create the configuration files for the LMK61E2, LMK04828, and LMX2594 devices. Download the latest *High-Speed Data Converter (HSDC) TID GUI* software from:

<http://www.ti.com/tool/TICSPRO-SW>.

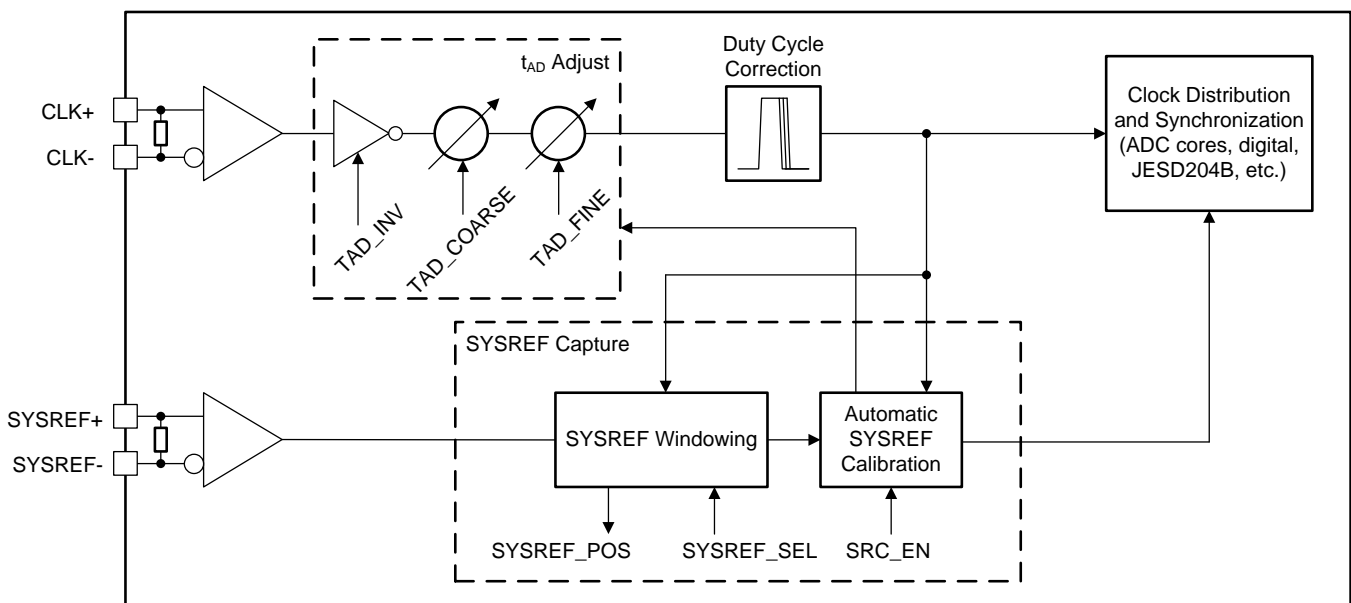
2.3.2.2 Establishing 90-Degree Phase Alignment

The TIDA-01022 hardware has a flexible clocking solution with a number of clocking options to allow users to validate system performance with various clocking configurations. One clocking option in this reference design is selected which satisfies the interleaving design clocking requirements. This clocking solution provides flexibility to adjust the clock delay in three places in the clocking path. This delay can be done on the LMK04828 output, LMX2594 output, the ADC12DJ3200, or a combination of these devices.

The LMK04828 device has both analog and digital delay elements in each clock output. The LMX2594 has a MEASH SEED register that can tune the delay in 9-ps increments and the ADC12DJ3200 device has *Noiseless Aperture Delay Adjustment* (t_{AD} adjust) features on the device clock path that can be used to shift the sampling instant in 19-fs steps.

Figure 16 shows the internal clock subsystem of ADC12DJ3200 and highlights t_{AD} components (TAD_INV, TAD_COARSE, and TAD_FINE). These registers allow maximum aperture delay adjustment up to $t_{AD(max)} = 293$ ps and ultra-low aperture jitter $t_{AD(max)} = 70$ fs to satisfy the low-phase noise requirements.

Figure 16. ADC12DJ3200 Clocking Subsystem



This t_{AD} feature gives the flexibility to adjust any one or both registers of the ADC to make 90° phase shift between ADCs with 19-fs resolution.

Equation 6 helps to calculate the required phase delay between ADCs:

$$t_{PHASEDELAY} = \frac{t_{SAMPLECLK} \times \text{Req_phase}}{360}$$

where

- $t_{SAMPLECLK}$; device clock time period . 1/Fs
 - Reg_Phase; required phase shift between two ADCs
 - $t_{PHASEDELAY}$; phase delay between two ADCs
- (6)

To interleave the two ADC12DJ3200s onboard, a 90° phase shift between ADC clocks is required by using Equation 6 for a 3.2-GHz device clock:

$$t_{SAMPLECLK} = \frac{1}{3200,000,000 \text{ Hz}} = 312.5 \text{ ps} \tag{7}$$

$$t_{PHASEDELAY} = \frac{312.5 \times 10^{-12} \times 90}{360} = 78.1 \text{ ps} \tag{8}$$

After SYSREF calibration, the calibrated SYSREF values are loaded to the corresponding t_{AD} register:

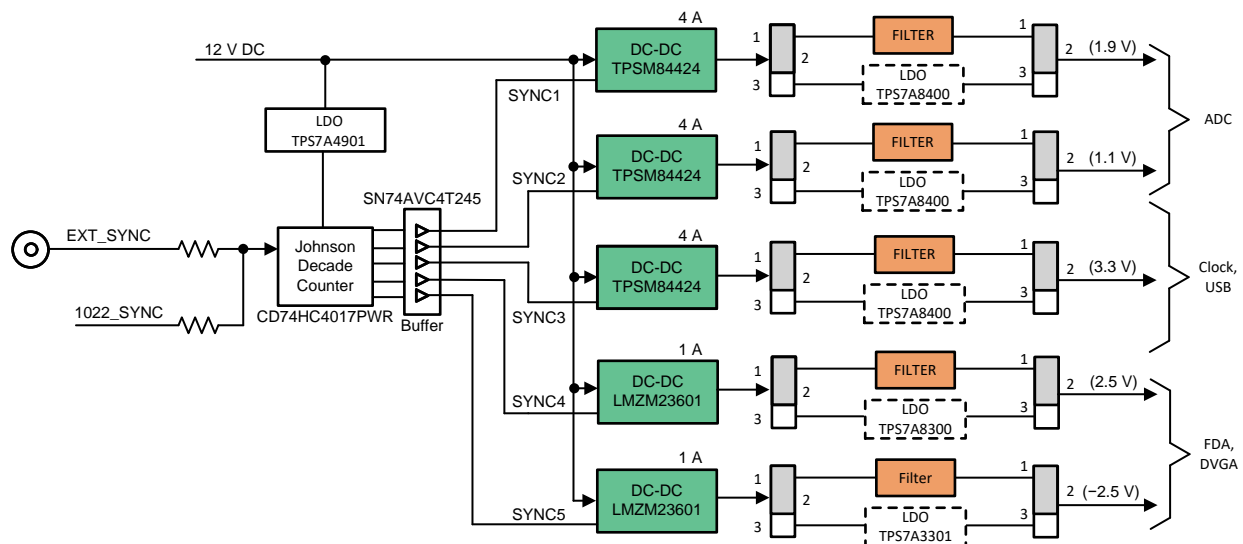
1. Enable SYSREF calibration and check for SYSREF calibration done bit in the 0x2B4 register
2. Load the SYSREF calibrated values of the coarse(0x2B6) and fine(0x2B5) register with the corresponding t_{AD} registers 0x2B3, 0x2B2 after SYSREF calibration is done
3. Disable the SYSREF calibration
4. Fine-tune the t_{AD} register for 90° (78.1 ps) phase delay between ADC1 and ADC2

2.3.3 Power Tree

This TI design uses a high-performance, optimized power solution from the [TIDA-01027](#) reference design. This power module satisfies the power requirements of the TIDA-01022. The module contains both DC/DC and LDO regulators with an external frequency SYNC feature for synchronization of multiple switching regulators. Also a method of clock phase shifting enables users to reduce both conducted and radiated EMI.

Figure 17 shows the TIDA-1027 power tree. The module provides 3.3-V, 1.9-V, 1.1-V, 2.5-V and -2.5-V rails to various analog and digital sections of the TIDA-01022.

Figure 17. TIDA-01027 Power Tree



For more information, see the [Power Reference Design Maximizing Signal Chain ENOB in Very High Speed DAQ Systems](#) reference design (TIDA-01027).

2.4 Highlighted Products

2.4.1 ADC12DJ3200 - 12-Bit, Dual 3.2- GSPS or Single 6.4- GSPS, RF- Sampling ADC

The ADC12DJ3200 device is an RF-sampling giga-sample ADC that can directly sample input frequencies from DC to above 10 GHz. In dual-channel mode, it can sample up to 3200-MSPS and in single channel mode up to 6400-MSPS, full power input bandwidth (-3 dB) of 8.0 GHz, with usable frequencies exceeding the -3 dB point in both dual- and single-channel modes, allows direct RF sampling of the L-band, S-band, C-band and X-band for frequency agile systems.

2.4.2 Why choose the ADC12DJ3200? Key Features

The ADC12DJ3200 device has an integrated Noiseless Aperture Delay (tAD) Adjustment feature which allows us to shift clock instants in fine steps (19 fs) to achieve 90 degree phase between two ADCs for Time Interleave sampling. [図 16](#) shows the ADC12DJxx00 family internal clocking subsystem.

- Automatic SYSREF calibration, uses the tAD Adjust feature to shift the device clock to maximize the SYSREF setup and hold times or align the sampling instance based on the SYSREF rising edge.
- SYSREF Position Detector and Sampling Position Selection (SYSREF Windowing) The SYSREF windowing block is used to first detect the position of SYSREF relative to the CLK± rising edge and then to select a desired SYSREF sampling instance, which is a delay version of CLK±, to maximize setup and hold timing margins.

In addition to these features, this device family offers various sampling rates starting from 1600 MHz to 5200 MHz and 8 to 12 bits of resolution with the same pinout. It allows customers the flexibility to change the data convertor speed and resolution based on their applications with the same printed circuit board (PCB). Also, there no need for much hardware and software development.

In addition to the aperture adjustment, some of the key specifications taken into account include SNR, ENOB, and so forth – other similar devices considered are listed in [表 5](#).

表 5. ADC12DJ3200 - Similar Devices

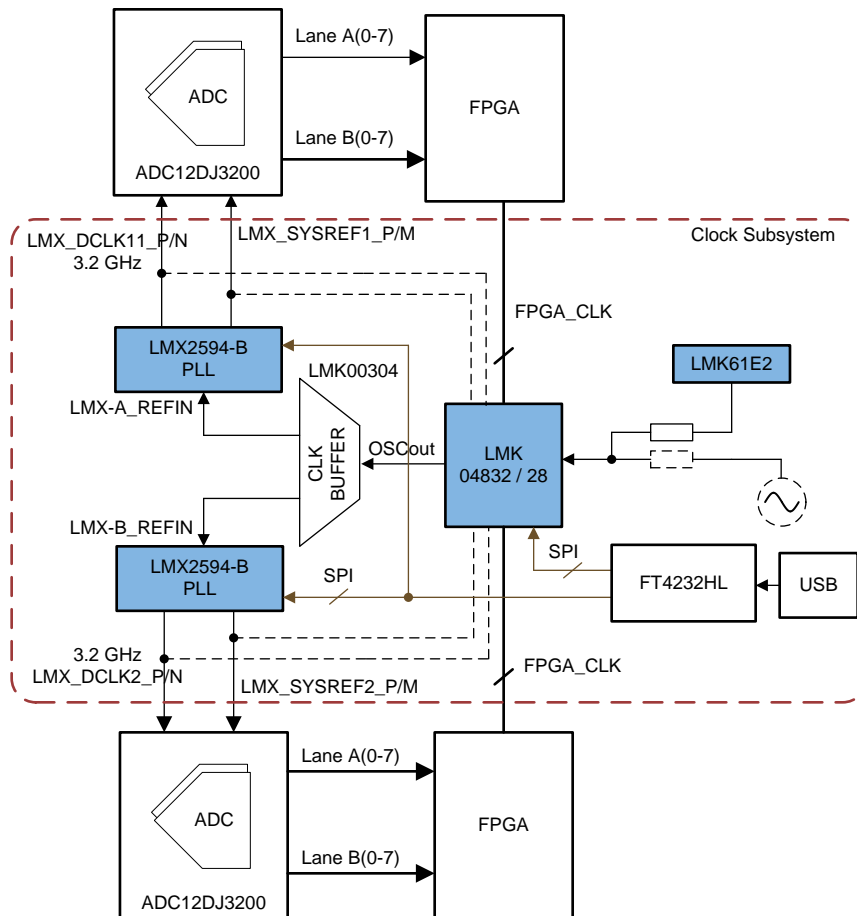
| | ADC08DJ3200 | ADC12DJ2700 | ADC12DJ3200 | ADC12J2700 | ADC12J4000 | ADC12J1600 |
|---|--------------------------------------|--------------------------------------|--------------------------------------|--|--|--|
| | Samples & Orders | Samples & Orders | Samples & Orders | Samples & Orders | Samples & Orders | Samples & Orders |
| | Online Data Sheet | Online Data Sheet | Online Data Sheet | Online Data Sheet | Online Data Sheet | Online Data Sheet |
| | Data Sheet | Data Sheet | Data Sheet | Data Sheet | Data Sheet | Data Sheet |
| | Tools & Software | Tools & Software | Tools & Software | Tools & Software | Tools & Software | Tools & Software |
| Sample Rate (Max) (MSPS) | 3200 6400 | 2700 5400 | 3200 6400 | 2700 | 4000 | 1600 |
| Resolution (Bits) | 8 | 12 | 12 | 12 | 12 | 12 |
| Number of input channels | 2 1 | 2 1 | 2 1 | 1 | 1 | 1 |
| Interface | JESD204B | JESD204B | JESD204B | JESD204B | JESD204B | JESD204B |
| Analog input BW (MHz) | 8000 | 8000 | 8000 | 3300 | 3300 | 3300 |
| Features | Ultra High Speed | Ultra High Speed | Ultra High Speed | Ultra High Speed | Ultra High Speed | Ultra High Speed |
| SNR (dB) | 49.1 | 56.7 | 56.6 | 55 | 55 | 55 |
| ENOB (Bits) | 7.8 | 9 | 9 | 8.8 | 8.8 | 8.8 |
| SFDR (dB) | 67 62 | 71 | 67 | 71 | 71 | 70 |
| Power consumption (Typ) (mW) | 2800 | 2700 | 3000 | 1800 | 2000 | 1600 |
| Input range (Vp-p) | 0.8 | 0.8 | 0.8 | 0.725 | 0.725 | 0.725 |
| Operating temperature range (C) | -40 to 85 | -40 to 85 | -40 to 85 | -40 to 85 | -40 to 85 | -40 to 85 |
| Input buffer | Yes | Yes | Yes | Yes | Yes | Yes |
| Package Group | FCBGA 144 | FCBGA 144 | FCBGA 144 | VQFN 68 | VQFN 68 | VQFN 68 |
| Package size: mm ² : W x L (PKG) | See data sheet (FCBGA) | See data sheet (FCBGA) | See data sheet (FCBGA) | 68 VQFN: 100 mm ² : 10 x 10 (VQFN 68) | 68 VQFN: 100 mm ² : 10 x 10 (VQFN 68) | 68 VQFN: 100 mm ² : 10 x 10 (VQFN 68) |

2.4.3 LMK04828- Ultra Low Noise JESD204B Compliant Clock Jitter Cleaner

The LMK0482x family is the highest performance clock conditioner with JESD204B support in the industry. The 14 outputs from PLL2 can drive up to seven JESD204B data convertors or other logic devices like FPGA. The device has both analog and digital delay in each clock output path and analog delay can be adjusted 25-ps fine steps.

Figure 18 shows by combining both LMK04828 and LMX2594, we can create high-performance, low-noise clocking subsystems that drive giga-sample speed data converters with JESD204B support.

Figure 18. Giga Sample Clocking Solution With LMX2594 + LMK04828



2.4.4 LMX2594- 15 GHz Wideband PLLatinum™ RF Synthesizer

The LMX2594 device is a high-performance, wideband PLL with integrated VCOs that can generate frequencies from 10 MHz to 15 GHz without using an internal doubler. The high-performance PLL with a figure of merit of -236 dBc/Hz and high-phase detector frequency can attain very low in-band noise and integrated jitter.

The LMK2594 device is an ideal companion part for the ADC12DJxx00 family. The LMK2594 generates a very low noise clock for high-speed data convertor and generates repeating SYSREF which is compliant with the JESD204B standard.

2.4.5 LMK61E2- Ultra-Low Jitter Fully-Programmable Oscillator

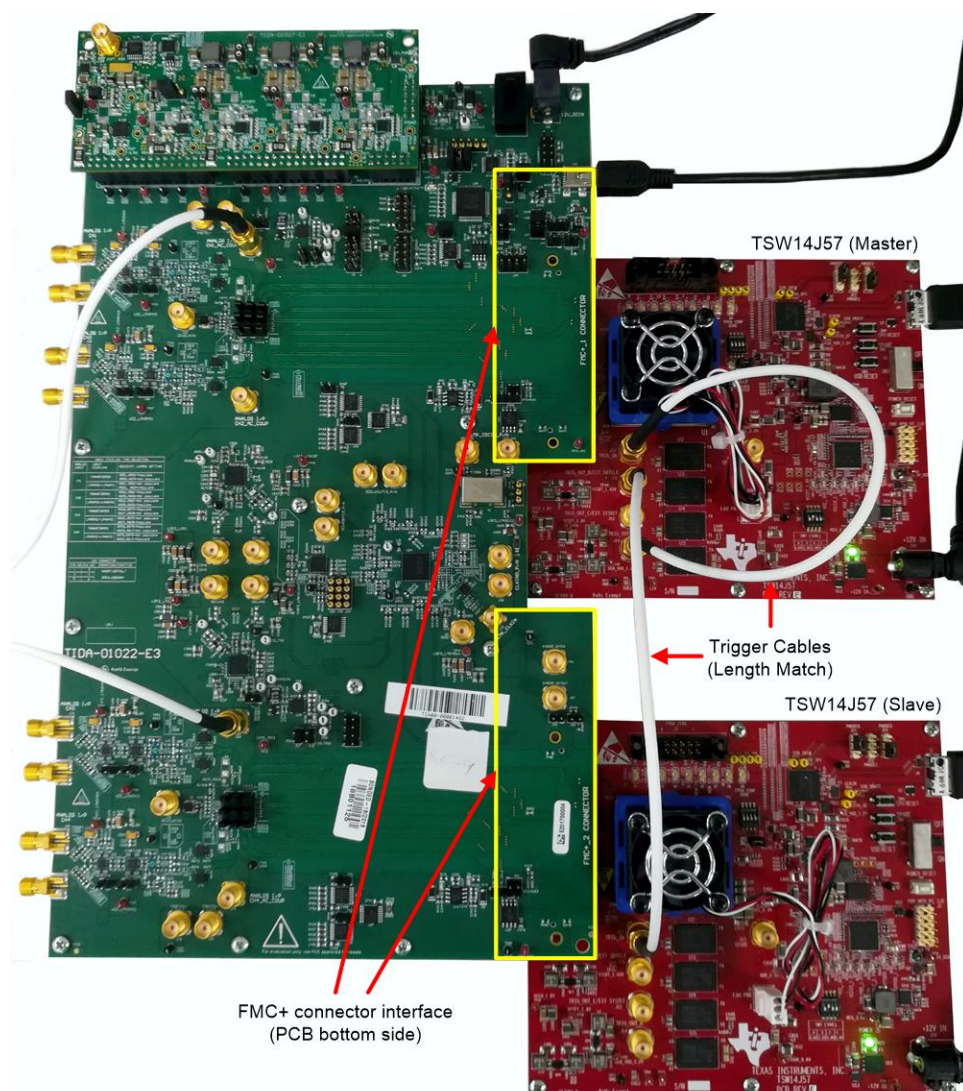
The LMK61E2 device is an ultra-low jitter PLLatinum™ programmable oscillator with a fractional-N frequency synthesizer with integrated VCO that generates commonly-used reference clocks. The outputs can be configured as LVPECL, LVDS, or HCSL. The device offers ultra-low jitter, as low as 90-fs RMS and the maximum clock output can generate up to 1 GHz with 50 ppm frequency stability. In this reference design, the LMK61E2 is used to provide a reference clock for the LMK04828.

3 Hardware, Software, Testing Requirements, and Test Results

3.1 Host Interface

The TIDA-01028 time interleaved system performance can be evaluated using TI's TSW14J57 JESD204B High-Speed Data Capture and Pattern Generator Card. Populated with an Arria® 10 device and using the Altera® JESD204B IP solution, the TSW14J57 device can be dynamically configured to support all lane speeds from 1.6 Gbps to 15 Gbps - from 1 to 16 lanes. Together with the accompanying [High-Speed Data Converter Pro Graphic User Interface](#) (GUI), it is a complete system that captures and evaluates data samples from the TIDA-01022 reference design. The TIDA-01022 can be directly interfaced with the TSW14J57 device using the FMC+ connector interface. [Figure 19](#) shows the TIDA-01022 interface with the TSW14J57 capture module and trigger cable connection.

Figure 19. TIDA-01022 Interface With TSW14J57 Capture Module



For more information on the TSW14J57 EVM, see the [TSW14J57 JESD204B high-speed data capture and pattern generator card user's guide](#).

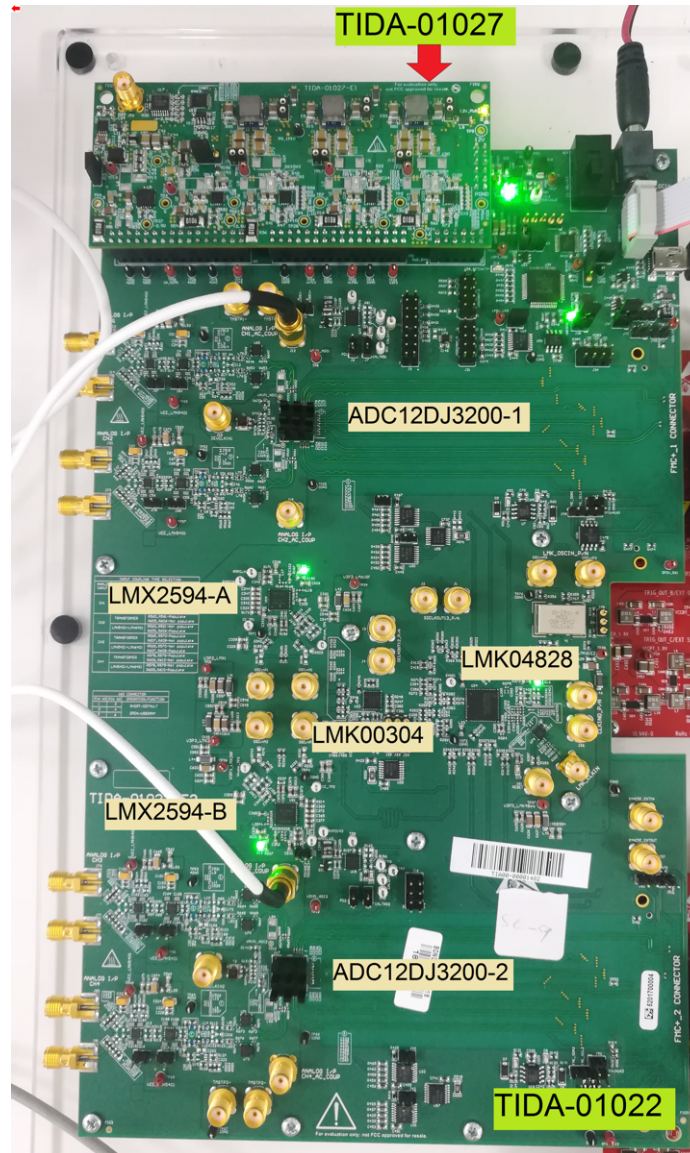
3.2 Required Hardware and Software

3.2.1 Hardware Functional Block

☒ 20 shows the TIDA-01022 board with the TIDA-01027 power board.

For more information about hardware functional blocks and programming details, see [TIDA-01022](#).

☒ 20. TIDA-01022 Hardware Functional Block



☒ 21 shows the TIDA-01027 board image, in this reference design the TIDA-01027 board is configured as DC/DC free running mode (default mode). The TIDA-01027 output connectors are made compatible with the TIDA-01022 power input headers J58, J59, J60, and J63.

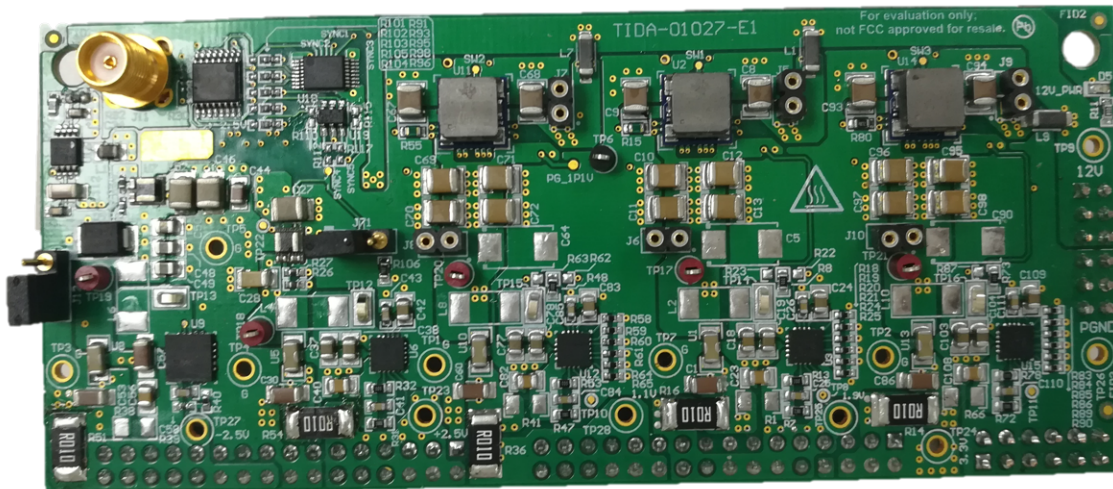
表 6 shows the input and output specification of the TIDA-01027 power supply module.

表 6. TIDA-01027 Key Specification

| PARAMETER | SPECIFICATIONS |
|--|--|
| Input voltage range | 5 V to 17 V |
| Number of outputs | 5 |
| Output voltage, Maximum output current | 1.9 V, 4 A 1.1 V, 4 A 3.3 V, 4 A 2.5 V, 1 A -2.5 V, 800 mA |
| Efficiency | 85% |

The board can be connected as 図 20 shows.

図 21. TIDA-01027 Hardware Image



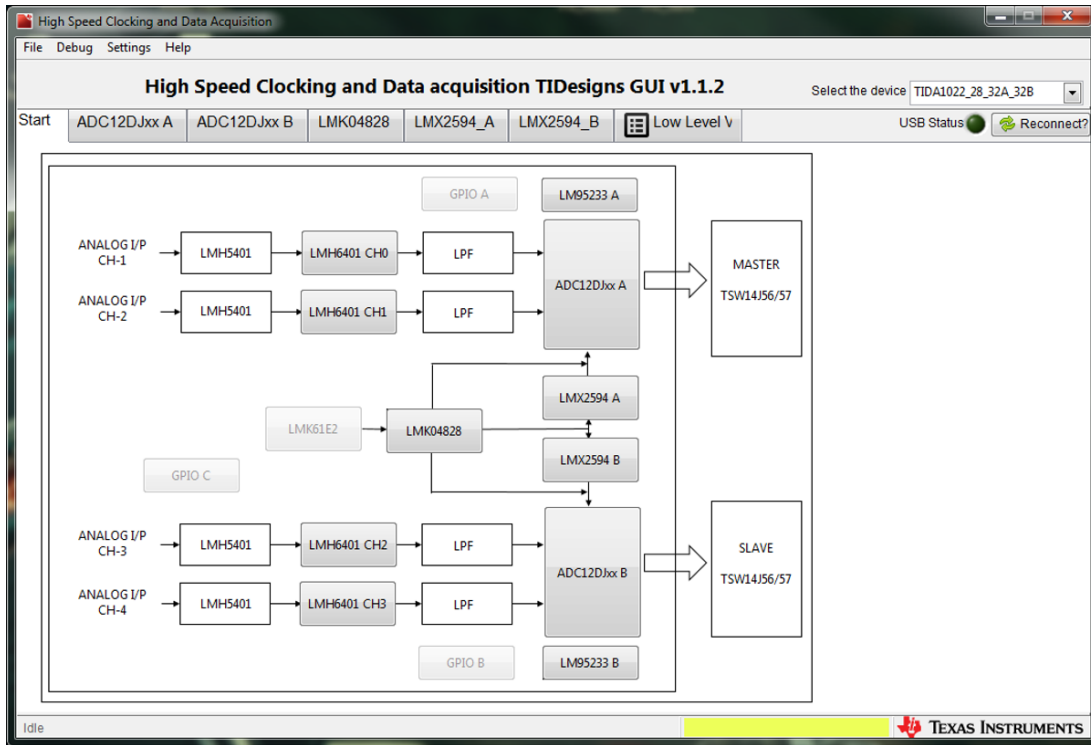
3.2.2 Getting Started Application GUI

The TIDA-01022 board requires three application software GUIs for validation: HSDC TID GUI, HSDC Pro GUI, and the LMK61xx Oscillator Programming Tool:

1. Use the HSDC TID GUI to configure the data converter (ADC12DJ3200), clocking devices (LMK4828, LMX2594, and LMK61E2), and digital VGA (LMH6401). Use the low-level page to program the device with the respective configuration file. Download the latest HSDC TID GUI software at: <http://www.ti.com/lit/zip/tidcfb3>.
2. Use the HSDC Pro GUI to capture the digitized data with the assistance of a TSW14J56 capture card and provide a spectrum and time domain plot. Download the latest HSDC Pro GUI software at: <http://www.ti.com/tool/dataconverterpro-sw>.
3. Use the LMK61xx Oscillator Programming Tool to program the LMK61E2 device. Download the latest LMK61xx software at <http://www.ti.com/lit/zip/snac074>.

☒ 22 and ☒ 23 show screen shots of starting the HSDC TID GUI configuration and the *Programming* tab for the low-level view, respectively.

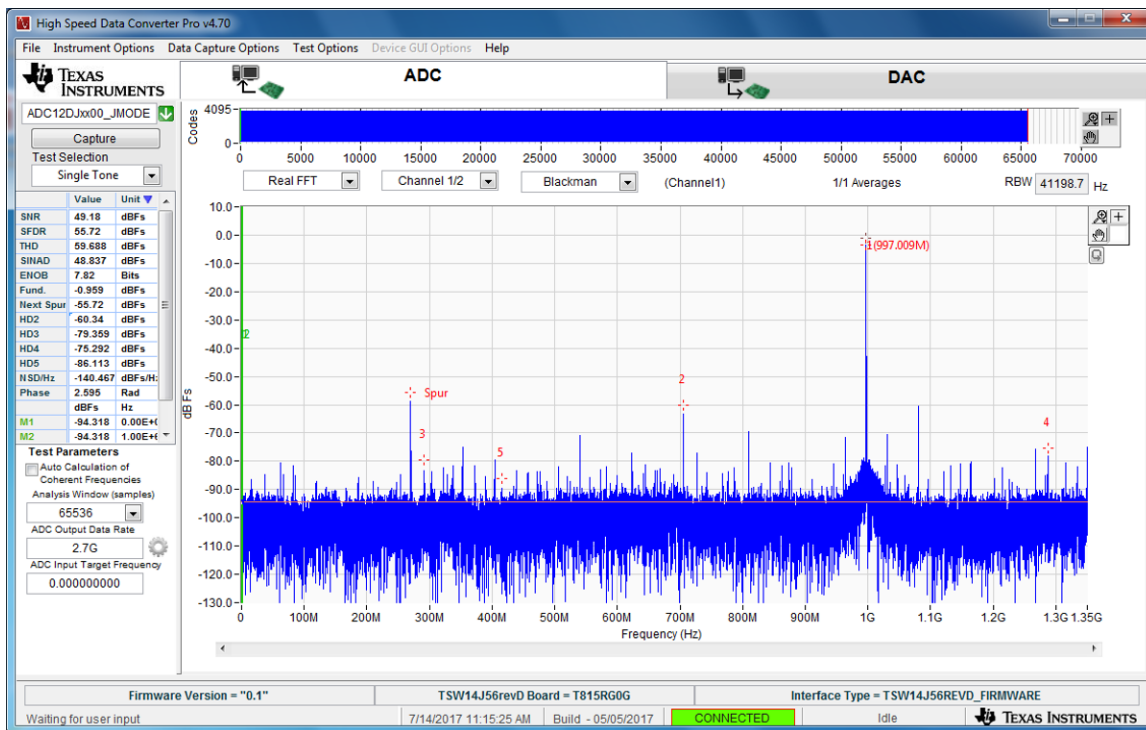
☒ 22. HSDC TID GUI - Top-Level Navigation View



☒ 23. HSDC TID GUI - Low Level Programming View

☒ 24 shows the ADC capture GUI, spectrum plot.

☒ 24. HSDC Pro ADC Capture GUI (Spectrum)



3.3 Hardware Programming

The TIDA-01022 hardware has an onboard FTDI-brand USB controller which is for programming the LMK61E2, LMK4828, and LMX2594 clocking devices and the LMH6401 amplifier using an SPI or I2C interface. The High-Speed Data Converter (HSDC TID) graphical user interface (GUI) supports low-level pages, which can be used to program these devices.

The board also features a USB2ANY programming interface which helps the user evaluate hardware by using the respective evaluation module (EVM) GUI.

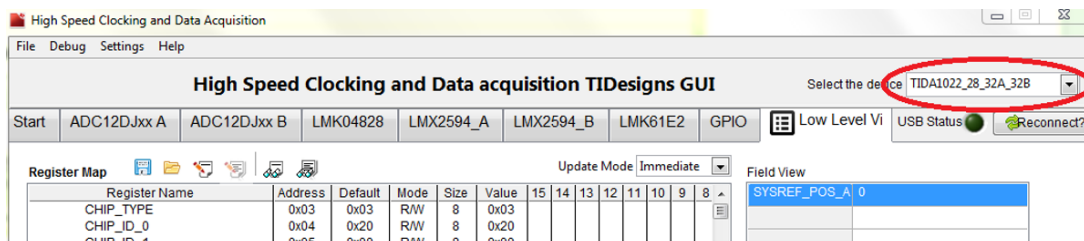
☒ 25 shows the location of programming connector.

☒ 25. Programming Connector Interface

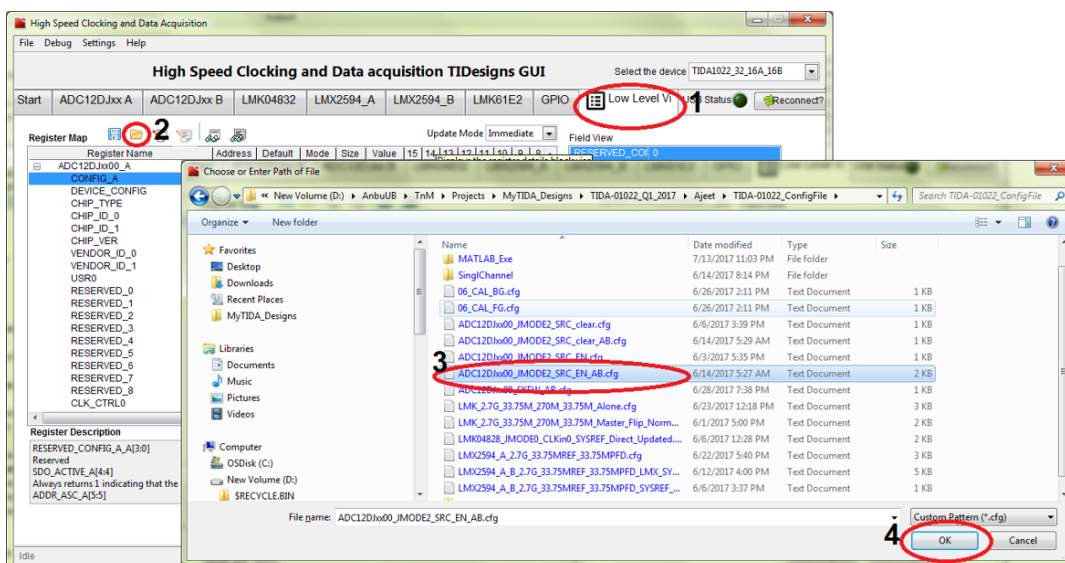


The programming procedure for the built-in programming interface follows:

1. Open the HSDC TID GUI and select the *TIDA1022_28_32A_32B* from the device selection drop-down menu.



2. Navigate to the *Low Level* tab, select the configuration files to be programmed, and click the *OK* button. Follow these steps as numbered and encircled in the following screen shot:

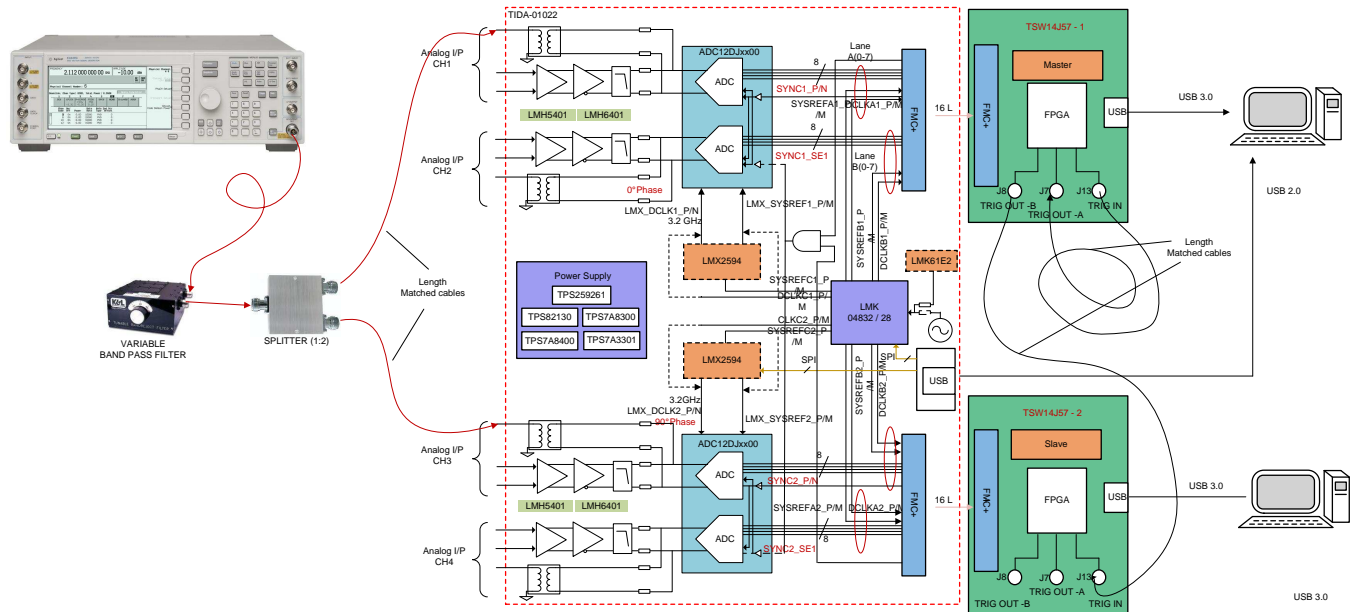


3.4 Testing and Results

3.4.1 Test Setup

Figure 26 shows the test setup for onboard time interleaving using the TIDA-01022 reference design with transformer input.

Figure 26. Test Setup for 2x ADC12DJ3200 Devices



3.4.2 Onboard Interleaving Measurement

1. Emulate the hardware setup as shown in Figure 26, then provide the input signal to the J12 and J29 SMA connectors of channel 1 and 3 of the TIDA-01022 design through a variable band-pass filter and 2:1 splitter.
2. Connect a high-speed USB3.0 and USB2.0 cable to the capture PCs
3. Configure the TSW14J57 capture card as Master and Slave configuration mode
 - a. Connect master TSW14J57, J7 (TRIG OUT -A) to J13 (TRIG IN) using high-speed SMA cable for master self-triggering.
 - b. Connect the master TSW14J57, J8 (TRIG OUT-B) to J13 (TRIG IN) of slave TSW14J57 module using high-speed SMA cable.
4. Provide a 12-V, 4-A DC supply to the power connector (J55) of the TIDA-01022 and a 12-V supply to the TSW14J57 capture card.

注: As Figure 26 shows, the length of cable must be length matched.

To measure the interleave performance, configure the following using the HSDC TID GUI:

1. Use the J32 connector to program the LMK61E2 device at 40 MHz using the USB2ANY programmer associated with the LMK61E2 Oscillator Programming Tool. Set the device address as 0x5A before programming.
2. Program the LMK04828 in 0-delay PLL mode at a 40-MHz SYSREF frequency to provide the SYSREFREQ and SYNC signals along with this 40-MHz OSCout as a reference to the LMX2594.
3. The LMK04828 also generates the FPGA reference at 320 MHz, the FPGA core clock at 320 MHz, and the FPGA SYSREF at 40 MHz for the FPGA capture card.
4. Program the LMX2594_A and LMX2594_B for a 3.2-GHz DEVCLK and SYSREF at 40 MHz.

- Configure both ADC12DJ3200 JMODE-0 (single-channel mode) by loading the configuration file in the low-level page.

Establish the JESD204B link using the HSDC Pro GUI:

- After powering the TSW14J57, establish a connection with the single-channel mode (JMODE0).
- Provide the data rate sampling frequency of the ADC output as 6.4 GHz and the ADC input target frequency as 997 MHz.
- After establishing the JESD204B connection, feed the input signal to channel 1 (J12) and channel 3 (J29).
- Apply a trigger at the slave capture board and then click the capture button on the master board.
- Export both ADC1 and ADC2 data, then extract the phase information from the spectrum using the MATLAB® program and plot the data in the time domain for a channel-to-channel skew measurement.
- Adjust t_{AD} register values to make channel-to-channel skew as 78.1 ps for 90° phase clock shift between CH1 and CH3. See 2.3.2.2 for more details.
- After establishing a 90° phase shift, combine both ADC1 and ADC2 data to form interleaved data for 12.8-GSPS sample rate.

3.4.3 Performance Test Result

In this reference design, interleaving performance is measured with $F_s = 12.8$ GSPS, $F_{in} = 300$ MHz to 6 GHz input signal frequency. 図 27 and 図 28 show the measured spectrum of the TIDA-01028 design at a 997-MHz input, 6.4-GSPS sample rate of ADC1 and ADC2 with 90 degree time-interval sampling.

図 27. ADC1 Spectrum 6.4 GSPS

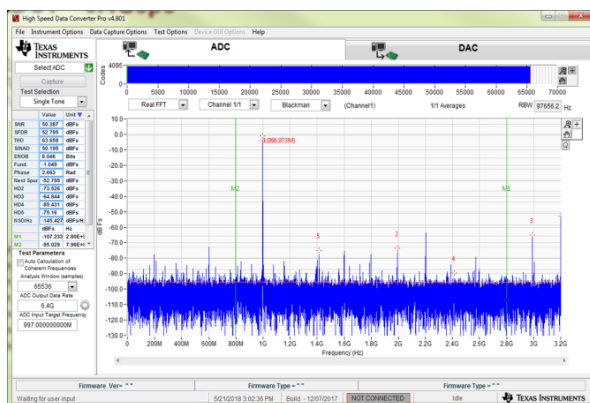


図 28. ADC2 Spectrum 6.4 GSPS 95

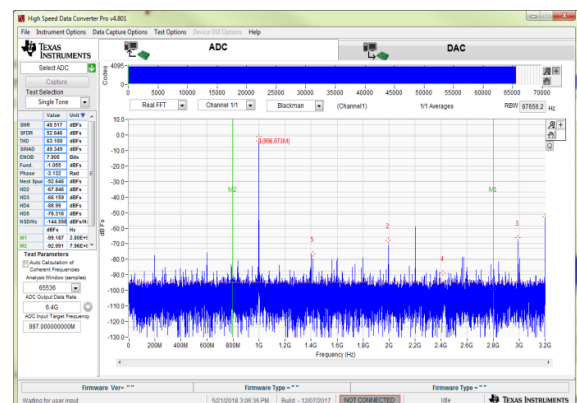


Figure 29 and Figure 30 show the resultant spectrum of 12.8 GSPS with and without IL spur. Figure 29 shows interleave spur at locations $F_S/2$, $F_S/4$, $F_S/2 - F_{IN}$, $F_S/4 - F_{IN}$, and $F_S/4 + F_{IN}$ associated with sampling clock $F_S = 12.8$ GHz.

Figure 29. $F_{IN} = 977$ MHz, 12.8 GSPS Interleave Spectrum With I_L Spur

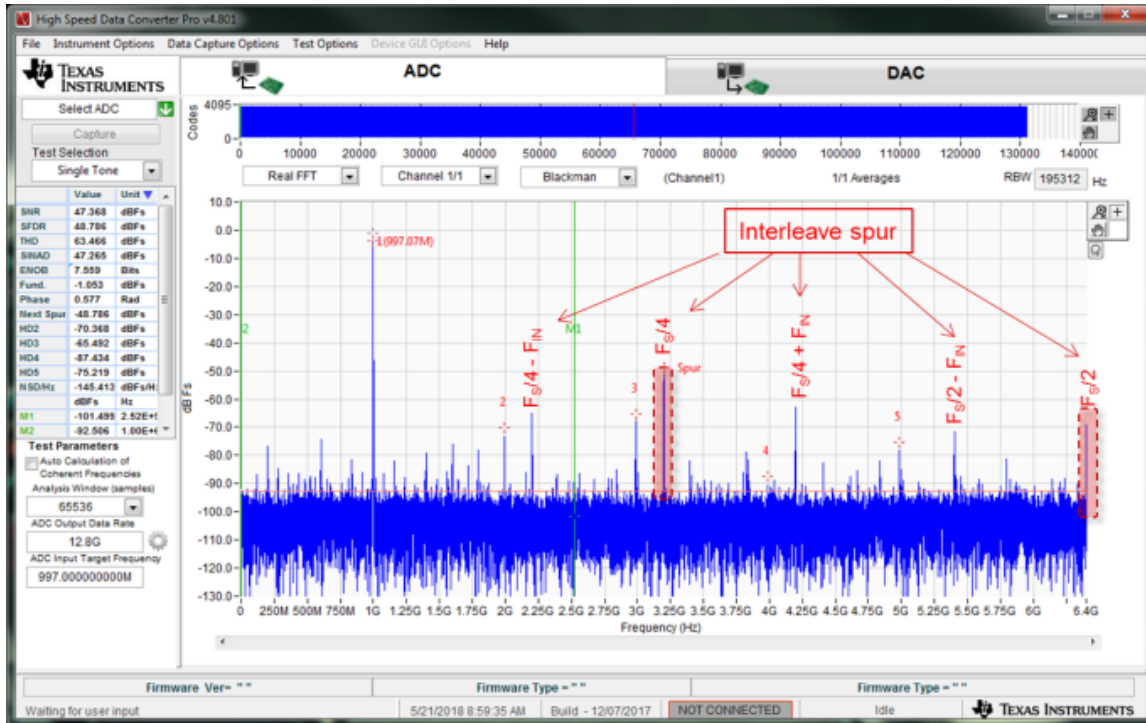
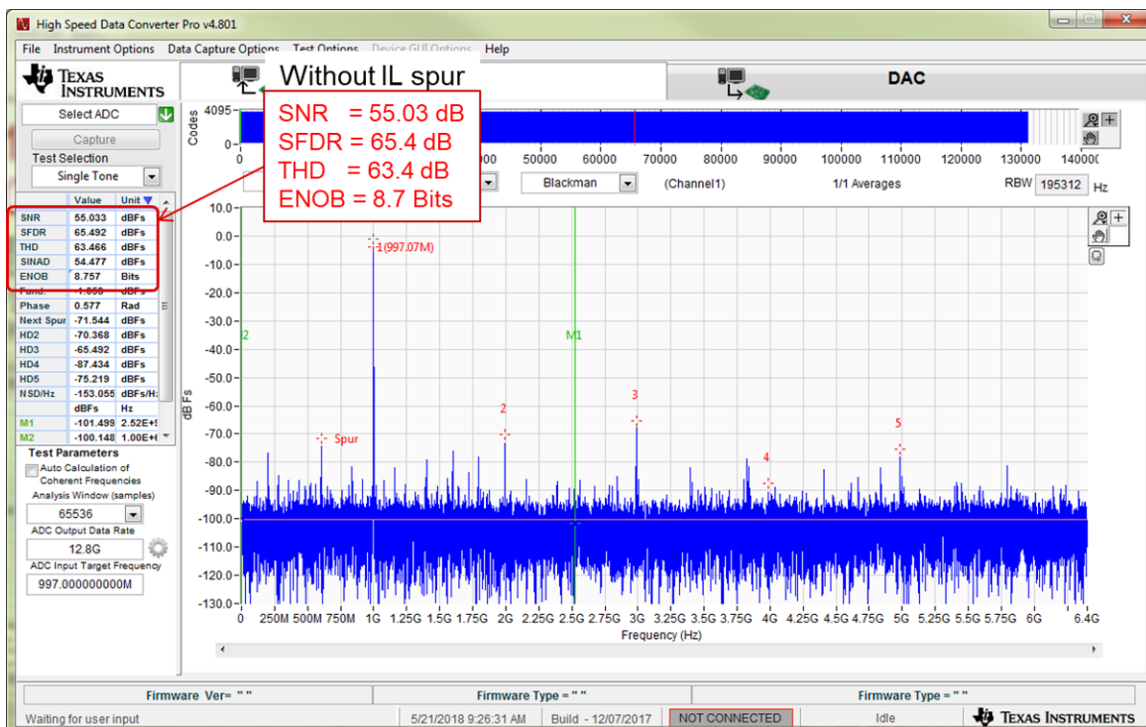
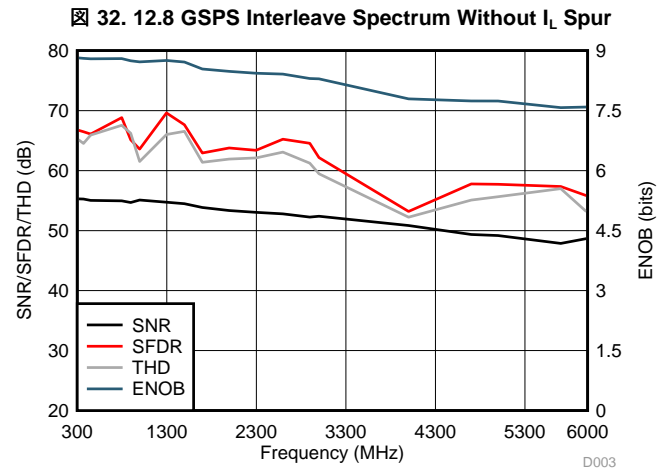
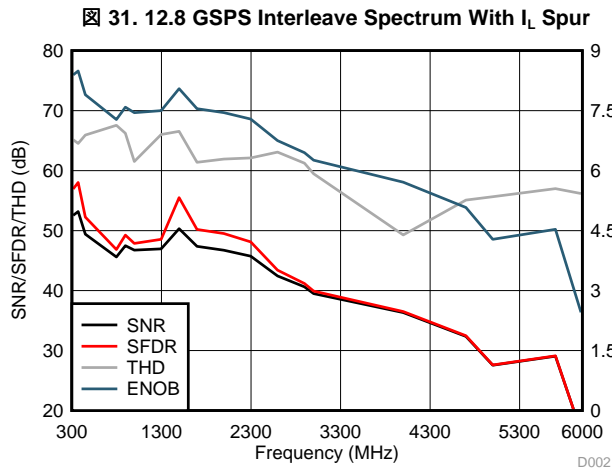


Figure 30. $F_{IN} = 997$ MHz, 12.8 GSPS Interleave Spectrum Without I_L Spur



2.2.2 discusses interleave spur, even when the input signal chain path and clock sample timing are closely matched, there will always be some mismatch in the system. This will vary due to temperature and process variations which can be reduced with the help of an on-line calibration process.

Figure 31 and Figure 32 show the 12.8 GSPS interleaved plots for input signal frequencies from 300 MHz to 6 GHz with and without IL spurs. Interleaving spurs will reduce if the gain, offset, and time skew are matched. Figure 31 clearly shows that greater than 7.5-bit ENOB can be achieved for the input bandwidth of 2 GHz without removing interleaving spur which is a promising result for 8-bit, 12.8-GSPS high-speed oscilloscope applications. Figure 32 shows that ENOB can be improved to greater than 8.5 bits of ENOB after removing interleave spur.



In summary, the TIDA-01028 is a 12.8-GSPS interleaved reference design with an onboard high-performance clock and power solution that can be used for high-speed DSO and wideband digitizer applications where higher sampling rate and wider bandwidth is required.

This reference design demonstrates the ADC12DJ3200 interleaving features to achieve a 12.8-GSPS sample rate with usable bandwidth greater than 2.5 GHz with ENOB better than 7.5 bits, including interleaving spur.

This reference design demonstrates the flexibility and features of clock devices such as the LMK04828 and the LMX2594 that help designers to achieve low phase noise, high-frequency clocks for gigahertz interleaved sampling applications.

4 Design Files

4.1 Schematics

To download the schematics, see the design files at [TIDA-01028](#).

4.2 Bill of Materials

To download the bill of materials (BOM), see the design files at [TIDA-01028](#).

4.3 PCB Layout Recommendations

4.3.1 Layout Prints

To download the layer plots, see the design files at [TIDA-01028](#).

4.4 Altium Project

To download the Altium Designer® project files, see the design files at [TIDA-01028](#).

4.5 Gerber Files

To download the Gerber files, see the design files at [TIDA-01028](#).

4.6 Assembly Drawings

To download the assembly drawings, see the design files at [TIDA-01028](#).

5 Related Documentation

5.1 Related Reference Designs

1. Texas Instruments, [Flexible 3.2 GSPS Multi-Channel AFE Reference Design for DSOs, RADAR, and 5G Wireless Test Systems \(TIDA-01022\)](#)
2. Texas Instruments, [50-Ohm 2-GHz Oscilloscope Front-end Reference Design \(TIDA-00826\)](#)
3. Texas Instruments, [Multi-Channel JESD204B 15 GHz Clocking Reference Design for DSO, Radar and 5G Wireless Testers \(TIDA-01021\)](#)
4. Texas Instruments, [High Speed Multi-Channel ADC Clock Reference Design for Oscilloscopes, Wireless Testers and Radars \(TIDA-01017\)](#)

5.2 Summary of Related Reference Designs

| REFERENCE DESIGN NUMBER | MAXIMUM CLOCK FREQUENCY (GHz) | PHASE NOISE AT MAX FREQUENCY (dBc/Hz) | CLOCK SKEW (ps) | # OF CHANNELS DEMONSTRATED [THEORETICAL MAXIMUM] | SAMPLING RATE (GSPS) | SNR @ 1 GHz (dB) | SFDR (dBc) | MAXIMUM BANDWIDTH (GHz) | DESCRIPTION, FOCUS |
|----------------------------|---|---------------------------------------|-----------------|--|----------------------|------------------|------------|-------------------------|---|
| TIDA-01028 | 15.0 | -105.9 | - | 2[4] | 12.8 | 55.0 | 63.5 | 8.0 | 12.8 GSPS AFE with Interleaved ADCs (ADCDJ3200) |
| TIDA-00626 | 10.0 | -107.1 | - | 1 | - | - | - | - | 9.8 GHz RF CW Signal Generator |
| TIDA-01016 | 6.0 | -114.0 | N/A | 1 | 3.0 | 60.0 | - | 3.2 | Clocking Reference Design for ADC32RF45 (RF Sampling ADC) |
| TIDA-01021 | 15.0 | -105.9 | 9.2 | 2 [6] | 2.7 | 55.7 | 68.8 | 8.0 | Clocking and Synchronization of Multiple JESD204B ADCs |
| TIDA-01023 | 15.0 | -105.9 | 8.0 | 2 [42] | 3.0 | 55.5 | 68.8 | 8.0 | [Tree Structure] Clocking and Synchronization of JESD204B ADCs |
| TIDA-01024 | 15.0 | -105.9 | 2.0 | 2 [18] | 3.0 | 55.4 | 69.1 | 8.0 | [Daisy Chain] Clocking and Synchronization of JESD204B ADCs |
| TIDA-01022 | 15.0 | -105.9 | 1.0 | 4 | 3.2 | 55.5 | 71.3 | 8.0 | Quad Channel 3.2GSPS Digitizer System (Integrating ADC, Clocking and Power) |
| TIDA-01027 | Power design for optimal ENOB in High Speed DAQ | | | | | | | | |

5.3 Other Related Documents

1. Texas Instruments, [Interleaving ADCs for Higher Sample Rates](#)
2. Texas Instruments, [Maximizing SFDR Performance in the GSPS ADC: Spur Sources and Methods of Mitigation](#)
3. Texas Instruments, [Defining Skew, Propagation-Delay, Phase Offset \(Phase Error\)](#)

5.4 商標

E2E, PLLatinum are trademarks of Texas Instruments.
 Arria, Altera are registered trademarks of Altera Corporation.
 Altium Designer is a registered trademark of Altium LLC or its affiliated companies.
 Marki is a trademark of Marki Microwave, Inc..
 MATLAB is a registered trademark of The MathWorks, Inc..

6 About the Author

ANBU MANI is a systems engineer in the Industrial Systems Engineering team at Texas Instruments, where he is responsible for developing reference design solutions for the industrial segment. Anbu has experience in analog circuit design and digital circuit design for the Automatic Test Equipment in Modular platform. He is also engaged with the design and development of embedded products. Anbu earned his bachelor of engineering (BE) in electronic and communication from the Anna University, Chennai.

SANKAR SADASIVAM is a system architect in the Industrial Systems Engineering team at Texas Instruments, where he is responsible for designing and developing reference design solutions for the industrial systems with a focus on Test and Measurement. Sankar brings to this role his extensive experience in analog, RF, wireless, signal processing, high-speed digital, and power electronics. Sankar earned his master of science (MS) in electrical engineering from the Indian Institute of Technology, Madras.

7 Acknowledgment

The authors would like to thank their colleagues Bryan Bloodworth, Taras Dudar, Ajeet Pal, Victor Salomon, Jason Clark, Salvatore Finocchiaro, Matthew Guibord, Timothy Toroni, Jim Brinkhurst, Oliver Nachbaur and for their unconditional support and critical feedback during the development of this design and design guide review.

重要なお知らせと免責事項

TI は、技術データと信頼性データ(データシートを含みます)、設計リソース(リファレンス・デザインを含みます)、アプリケーションや設計に関する各種アドバイス、Web ツール、安全性情報、その他のリソースを、欠陥が存在する可能性のある「現状のまま」提供しており、商品性および特定目的に対する適合性の黙示保証、第三者の知的財産権の非侵害保証を含むいかなる保証も、明示的または黙示的にかかわらず拒否します。

これらのリソースは、TI 製品を使用する設計の経験を積んだ開発者への提供を意図したものです。(1) お客様のアプリケーションに適した TI 製品の選定、(2) お客様のアプリケーションの設計、検証、試験、(3) お客様のアプリケーションが適用される各種規格や、その他のあらゆる安全性、セキュリティ、またはその他の要件を満たしていることを確実にする責任を、お客様のみが単独で負うものとします。上記の各種リソースは、予告なく変更される可能性があります。これらのリソースは、リソースで説明されている TI 製品を使用するアプリケーションの開発の目的でのみ、TI はその使用をお客様に許諾します。これらのリソースに関して、他の目的で複製することや掲載することは禁止されています。TI や第三者の知的財産権のライセンスが付与されている訳ではありません。お客様は、これらのリソースを自身で使用した結果発生するあらゆる申し立て、損害、費用、損失、責任について、TI およびその代理人を完全に補償するものとし、TI は一切の責任を拒否します。

TI の製品は、TI の販売条件 (www.tij.co.jp/ja-jp/legal/termsofsale.html)、または ti.com やかかる TI 製品の関連資料などのいずれかを通じて提供する適用可能な条項の下で提供されています。TI がこれらのリソースを提供することは、適用される TI の保証または他の保証の放棄の拡大や変更を意味するものではありません。

Copyright © 2019, Texas Instruments Incorporated
日本語版 日本テキサス・インスツルメンツ株式会社

重要なお知らせと免責事項

TI は、技術データと信頼性データ(データシートを含みます)、設計リソース(リファレンス・デザインを含みます)、アプリケーションや設計に関する各種アドバイス、Web ツール、安全性情報、その他のリソースを、欠陥が存在する可能性のある「現状のまま」提供しており、商品性および特定目的に対する適合性の黙示保証、第三者の知的財産権の非侵害保証を含むいかなる保証も、明示的または黙示的にかかわらず拒否します。

これらのリソースは、TI 製品を使用する設計の経験を積んだ開発者への提供を意図したものです。(1) お客様のアプリケーションに適した TI 製品の選定、(2) お客様のアプリケーションの設計、検証、試験、(3) お客様のアプリケーションが適用される各種規格や、その他のあらゆる安全性、セキュリティ、またはその他の要件を満たしていることを確実にする責任を、お客様のみが単独で負うものとします。上記の各種リソースは、予告なく変更される可能性があります。これらのリソースは、リソースで説明されている TI 製品を使用するアプリケーションの開発の目的でのみ、TI はその使用をお客様に許諾します。これらのリソースに関して、他の目的で複製することや掲載することは禁止されています。TI や第三者の知的財産権のライセンスが付与されている訳ではありません。お客様は、これらのリソースを自身で使用した結果発生するあらゆる申し立て、損害、費用、損失、責任について、TI およびその代理人を完全に補償するものとし、TI は一切の責任を拒否します。

TI の製品は、TI の販売条件 (www.tij.co.jp/ja-jp/legal/termsofsale.html)、または ti.com やかかる TI 製品の関連資料などのいずれかを通じて提供する適用可能な条項の下で提供されています。TI がこれらのリソースを提供することは、適用される TI の保証または他の保証の放棄の拡大や変更を意味するものではありません。

Copyright © 2019, Texas Instruments Incorporated
日本語版 日本テキサス・インスツルメンツ株式会社