

TI Designs: TIDA-01625

低消費電力、高精度の温度および湿度メーターのリファレンス・デザイン



概要

この湿度および温度表示メーター基板は、周囲の空気温度と相対湿度を測定するための、読みやすいモジュールです。このリファレンス・デザインでは、温度および湿度の検出機能を搭載したデバイス用に低消費電力システムを開発するときの、主要な考慮事項を紹介しします。サイズが1.83in x 1.45inなので、小さなフォーム・ファクタにシステムを格納でき、スペースの制限される環境で特に便利です。オンボードのマイクロコントローラ(MCU)がI²C通信プロトコルを使用して湿度センサと通信し、SPIプロトコルを使用してLCDに測定値を表示します。

リソース

- TIDA-01625 デザイン・フォルダ
- HDC2010 プロダクト・フォルダ
- MSP430FR5969 プロダクト・フォルダ



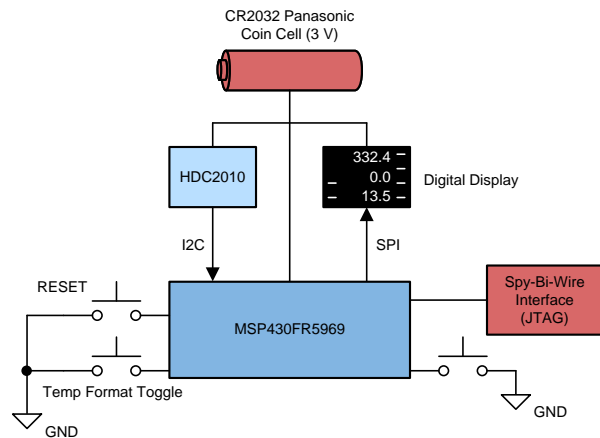
E2E™ エキスパートに質問

特長

- 高精度、低消費電力の温度および湿度センサ
- 128x128ピクセルのLCD
- 超低消費電力のMCU
- バッテリ駆動
- バッテリ電圧監視機能をサポート

アプリケーション

- ワイヤレス環境センサ
- サーモスタット
- パーソナル・エレクトロニクス





使用許可、知的財産、その他免責事項は、最終ページにあるIMPORTANT NOTICE (重要な注意事項)をご参照くださいますようお願いいたします。

1 System Description

The meter board comes pre-loaded with firmware that ensures successful operation upon connection of the coin cell battery. Because the MSP430™ MCU is flashed using JTAG protocol, the test, reset, and ground pins are broken out to a three-pin header for the user to have the option to flash the MSP430FR5969 MCU. The device features three push-buttons. Button S1 functions to perform RESET, S2 switches the temperature display format on the display (Celsius or Fahrenheit), and another button (S3) can be programmed by the user. Test points are provided for the user to probe the clock and data signal lines corresponding to I2C data transfer, in addition to power and ground probe locations.

1.1 Key System Specifications

表 1. Key System Specifications

PART DESCRIPTION	PART NUMBER	KEY SPECIFICATIONS
Coin cell battery	CR2032	<ul style="list-style-type: none"> • 3-V voltage output • 225-mAh nominal battery capacity
Ultra-low-power MCU	MSP430FR5969	<ul style="list-style-type: none"> • Wide supply voltage range (1.8 V to 3.6 V) • Active mode: 100 μA/MHz • Standby: 0.4 μA • Real-time clock: 0.25 μA • Shutdown: 0.02 μA
Low-power, high-accuracy humidity and temperature sensor	HDC2010	<ul style="list-style-type: none"> • Humidity accuracy: \pm 2% • Sleep current: 50 nA • Average supply current (RH+ temperature): 550 nA
128x128 LCD	LSO13B7DH03	<ul style="list-style-type: none"> • Super low-power consumption TFT panel (50 μW = no display update, 130 μW = display update)

2 System Overview

2.1 Block Diagram

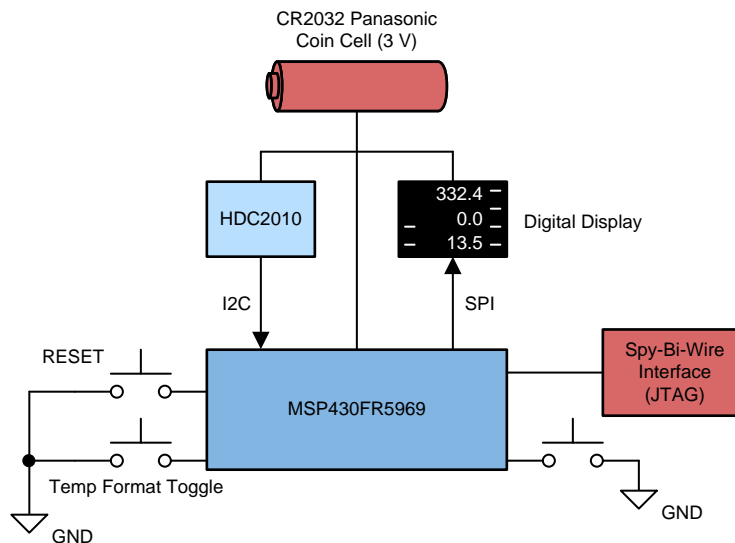


図 1. TIDA-01625 Block Diagram

2.2 Design Considerations

The primary design consideration in this reference design is the choice of low power-consumption devices.

A battery voltage monitoring system allows the user to implement in firmware. A potential divider serves to feed an ADC-enabled GPIO of the MSP430 MCU. That way, voltage sags intrinsic to battery operation over time can be monitored and optionally displayed along with temperature and humidity measurement results; however, this requires firmware modification. $V_{CC_{Monitor}}$ is calculated according to 式 1:

$$V_{CC_{Monitor}} = \frac{R_5 \times V_{CC}}{R_4 + R_5} \quad (1)$$

Select R4 and R5 to provide appropriate drive current to the ADC. In addition, the system features a reverse polarity protection FET applied to the battery terminals. This FET acts as a load switch in the system. Looking at the schematic, the body diode of Q1 sits connected between the drain and source of Q1. The anode is connected to the drain, while the cathode is connected to the gate. When the battery is connected correctly, the body diode is forward biased and conducts current from the drain to the source. Because Q1 is a P-channel MOSFET, the gate voltage is brought below the source voltage, providing the correct turnon condition. When the battery is connected in reverse, the gate of Q1 is receiving a voltage above the source voltage. Therefore, Q1 does not turn on and current is not passed to the load through conduction of the body diode.

2.3 Highlighted Products

This reference design features the following TI devices:

- MSP430FR5969
- HDC2010

For more information on these devices, see their respective product folders at www.ti.com.

2.3.1 MSP430FR5969 Mixed-Signal Microcontroller

The MSP430FR5969 is an ultra-low-power MCU that is optimized for lowered energy budgets in end equipment.

The device is a member of the MSP430FR59xx family of ultra-low-power mixed-signal microcontrollers, featuring generous FRAM capabilities to enhance low-power designs in addition to intelligent peripherals to allow for varied application implementation. Updating FRAM takes 100x less time than DRAM and there is no pre-erase required. In addition, FRAM includes faster write speeds, unified memory, and low-energy writes. Unified memory refers to program, data, and storage registers in one single place, which expedites the software run.

Because of its fast write speeds, FRAM has near infinite endurance. In a remote sensor, data could be written more often for improved data accuracy or the sensor could collect data for longer. Due to the lack of a charge pump, FRAM enables lower average and peak power during writes. FRAM is also nonvolatile (that is, retains its contents upon power loss). Using the MSP430 MCU with FRAM allows for on-the-fly writes, as opposed to buffered in RAM. The bitwise programmable memory can be used at the programmer's convenience for data or program storage. FRAM also offers advantages in security and is inherently more secure due to its makeup. Also, de-layering is not effective.

In comparison to MCUs with flash, FRAM:

- Is very easy to use
- Requires no setup or preparation such as unlocking of control registers
- Is not segmented and each bit is individually erasable, writable, and addressable
- Does not require an erase before a write
- Allows low-power write accesses (does not require a charge pump)
- Can be written to across the full voltage range (1.8 V to 3.6 V)
- Can be written to at speeds close to 8MBps (maximum flash write speed including the erase time is approximately 14 kBps)
- Does not require additional power to write to FRAM when compared to reading from FRAM

表 2 summarizes the MSP430 FRAM advantages:

表 2. MSP430™ FRAM Advantages

SPECIFICATION	FRAM	SRAM	FLASH
Write speed per word	125 ns	< 125 ns	85 μs
Erase time	No pre-erase required	No pre-erase required	23 ms for 512 bytes
Bitwise programmable	Yes	Yes	No
Write endurance	10 ¹⁵ writes	N/A	10 ⁵ writes per erase cycle
Nonvolatile	Yes	No	Yes
Internal write voltage	1.5 V	1.5 V	12 to 14 V (charge pump required)

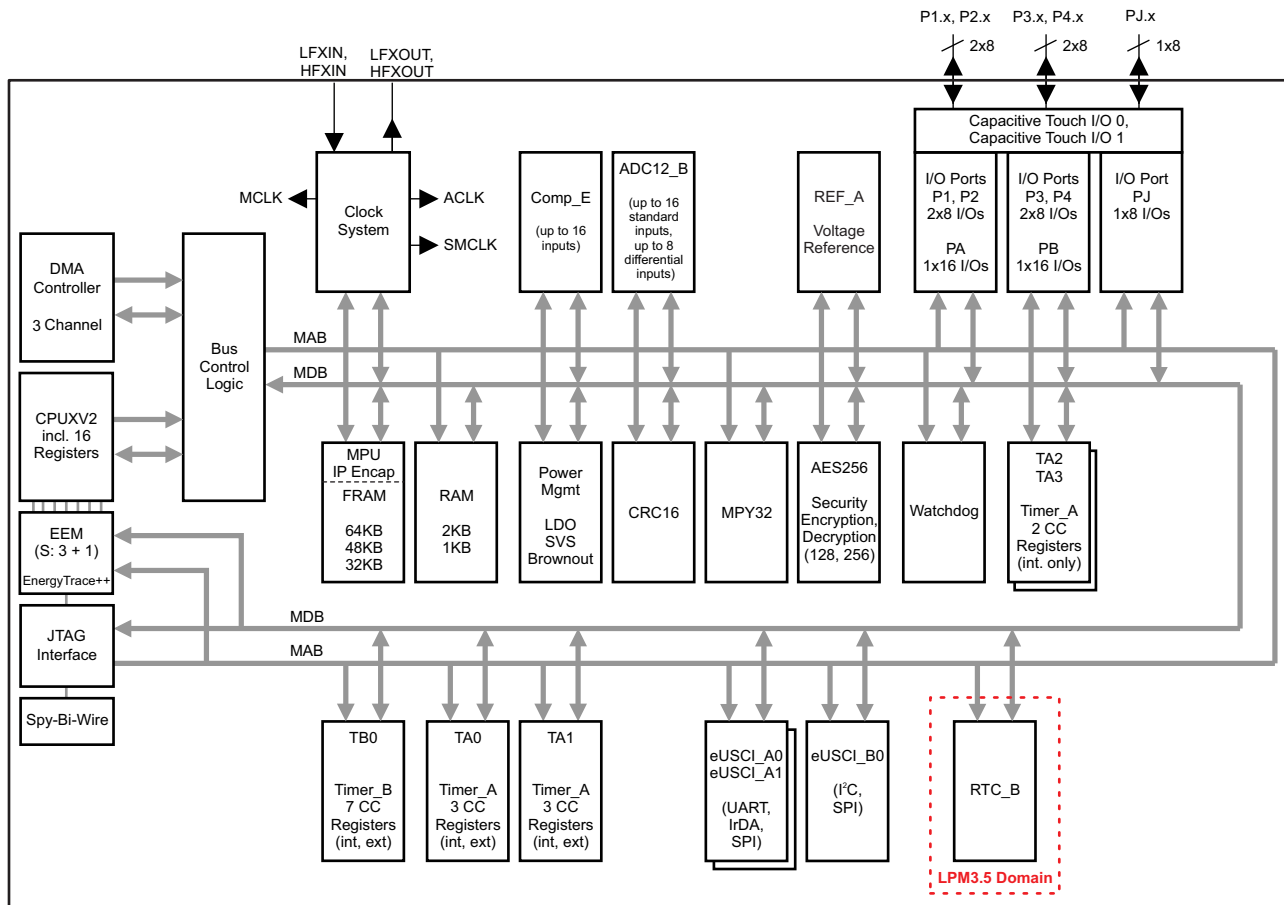


図 2. MSP430FR5969 Functional Block Diagram

2.3.2 HDC2010—Humidity and Temperature Sensor

The HDC2010 sensor measures the ambient air temperature and humidity with very low power consumption. The sensor comes in an ultra-compact Wafer Level Chip Scale Package (WLCSPP) with the sensing element placed on the bottom part of the device, making it more robust against dirt, dust, and other environmental contaminants. One of the key features of the HDC2010 is its low power consumption, a key requirement for this coin cell based design. The device consumes a mere 50 nA of current in sleep mode, which is the default mode upon startup and is the mode it immediately returns to following a measurement.

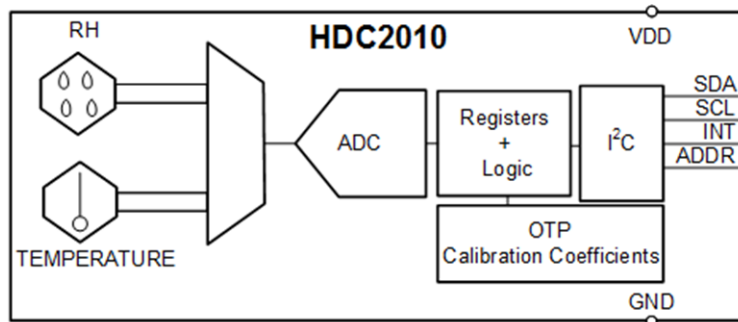


図 3. HDC2010 Functional Block Diagram

3 Hardware, Software, Testing Requirements, and Test Results

3.1 Required Hardware and Software

The meter board kit includes everything needed to get started. Simply ensure that the battery is placed correctly in its holder and the HDC2010 will perform its measurements to be displayed on the LCD.

3.1.1 Hardware

注: The HDC2010METER-EVM requires a Panasonic CR2032 coin cell battery which is not included.

The meter kit includes:

- MSP430FR5969 MCU
- Three push-button switches
- HDC2010 humidity and temperature sensor
- LSO13B7DH03 LCD
- 32-kHz FC- 135 32.7680KA-A3 crystal
- Associated discrete components

3.1.2 Software

This reference design ships pre-loaded with software for its MSP430FR5969 MCU. When the battery is loaded, the display shows a Texas Instruments splash screen and then proceeds to display the current temperature and humidity. The rest of this section details the operation of the software. Included with this reference design is a software package that contains a Code Composer Studio™ (CCS) project designed for the MSP430FR5969 MCU. For proper evaluation, import the CCS project into CCS v7.3 or later with TI Compiler v16.9.4.LTS or later.

After reset or power-on, several hardware initializations take place. All GPIO pins are configured as outputs and driven to logic low to save power. The pins that are used are then reconfigured for their intended purpose. The MSP430 MCU's internal oscillator, known as DCO, is configured for 8 MHz and connected to the internal signals SMCLK and MCLK. The external 32-kHz real-time crystal (RTC) is connected to the low-frequency clock inputs (LFXT), so the LFXT is configured as the source of the internal signal ACLK (Aux Clock). TIMER A is configured as a counter with ACLK as the source. Conveniently, a count of 32768 (2^{15}) is equivalent to 1 second, a count of 16384 (2^{14}) is equivalent to a half second, and so on. The eUSCI B0 peripheral is configured for I2C communication with the HDC2010 device. Finally, the eUSCI A1 peripheral is configured for SPI use with the Sharp® display, and the Sharp display is initialized. The next step in the software is to begin the loop.

On each iteration, the MSP430 MCU begins by checking the state of the button S1 and setting the Celsius and Fahrenheit variable. An I2C Write transaction is then performed to instruct the HDC2010 to begin a temperature and humidity measurement. This measurement takes a few milliseconds (for conversion time, see [HDC2010 Low Power Humidity and Temperature Digital Sensors](#)), so the MSP430FR5969 is configured for LPM4 during the down time. After TIMER A interrupts and resumes, the temperature and humidity data is retrieved from the HDC2010. The values for temperature and humidity are converted to characters using the tmpdecode.c library. This library is designed to provide string conversion without loss of 16-bit precision, but it can be adjusted for less precision. Finally, the temperature and humidity strings update the display, and the MSP430FR5969 returns to LPM4 for 2 seconds before looping.

3.1.2.1 Programming

The HDC2010 meter can be flashed or debugged using the Spy-By-Wire (SBW) interface. The MSP430FR5969's SBW interface is available at header J1 pins TEST and RST. Connect these pins, and GND/VCC as appropriate, to an MSP430 LaunchPad™ or a standalone debugger such as MSP-FET. For more information, see [MSP Debuggers](#).

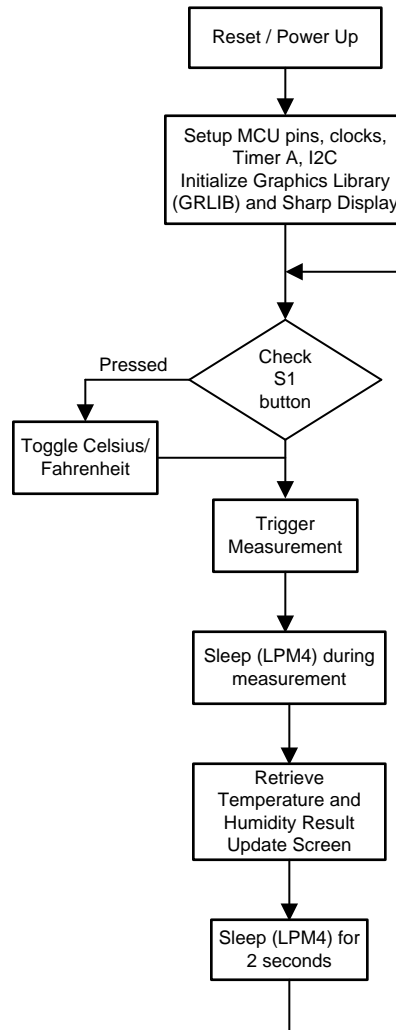


図 4. Software Flow Chart

3.2 Testing and Results

3.2.1 Test Setup

Although the current consumption of the system in its inactive mode is clearly defined by summing each inactive mode current specification in device data sheets, it is not so clear when the devices are active. Therefore, this test is set up to measure the current consumption of the system in active mode. The measurement is taken using a small series resistor connected to a simple instrumentation amplifier to perform a differential measurement across the resistor. This arrangement is used because the standard probes of an oscilloscope can only take single-ended measurements.

3.2.2 Test Results

Figure 5 yields the current consumption of the system while it is in its active mode:

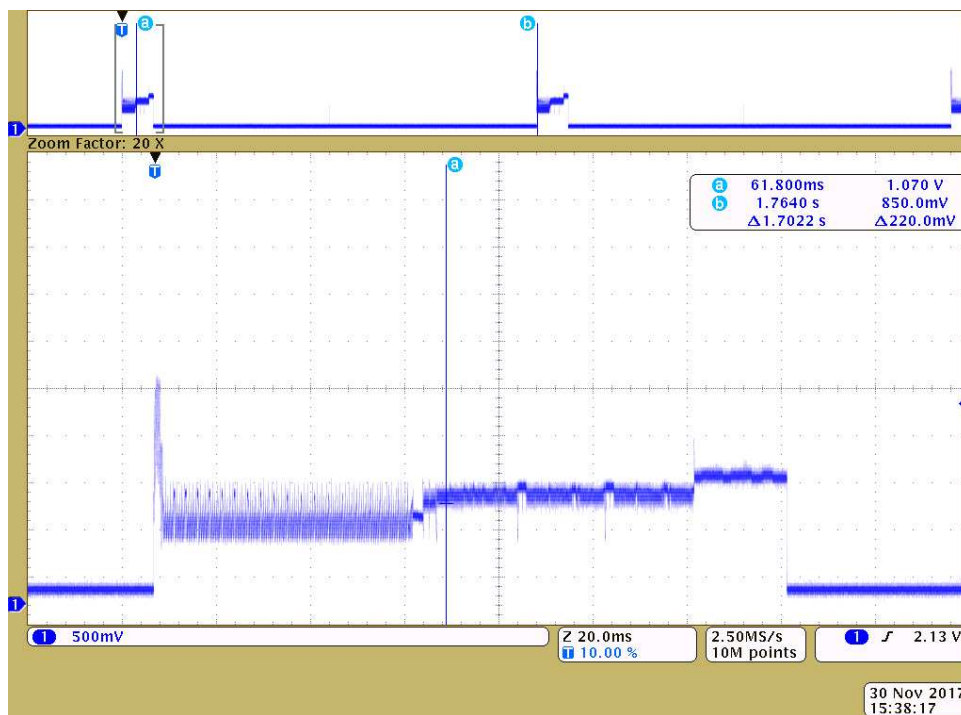


図 5. System Current Consumption

Because the gain of the instrumentation amplifier is programmed to 1000, the 1.07-V measurement highlighted by cursor A corresponds to 1.07 mA consumed by the system. The transactions taking place during the system's active mode cycle are as follows:

1. MSP430 MCU wakes up due to interrupt from Timer A.
2. MSP430 MCU communicates with the HDC2010 through I2C.
3. MSP430 MCU decodes information provided by HDC2010.
4. MSP430 MCU communicates with the LCD through SPI to update the display.

These transactions are reflected in the oscilloscope capture whenever the voltage signal steps up. After these operations take place, the MSP430 MCU returns to standby mode (LPM4), the HDC2010 returns to sleep mode, and the LCD returns to its low power consumption mode. During the active mode transactions, the system consumes between 0.80 mA to 1.40 mA. Because the active mode cycle is occurring about every 2 seconds, this active mode occurs 1800 times per hour. The active mode transactions each take about 100 ms to perform, so for 6.65% of an hour, the system is in active mode.

The blue arrow indicates the system current consumption in LPM4 (shutdown). Shutdown current consumption includes the MSP430 MCU, HDC2010, and LCD in shutdown modes. The current consumption of a typical system shutdown is about 130 μ A.

式 2 yields an estimate for the expected battery life of the CR2032:

$$\text{Battery Life (hours)} = \frac{\text{Nominal Battery Capacity (mAh)} \times \% \text{ of the hour spent active}}{\text{Active Mode Current Consumption (mA)}} + \frac{\text{Nominal Battery Capacity (mAh)} \times \% \text{ of the hour spent inactive}}{\text{Inactive Current Consumption (mA)}} \quad (2)$$

4 Design Files

4.1 Schematics

To download the schematics, see the design files at [TIDA-01625](#).

4.2 Bill of Materials

To download the bill of materials (BOM), see the design files at [TIDA-01625](#).

4.3 PCB Layout Recommendations

4.3.1 Layout Considerations for MSP430FR5969 MCU

- Ground and short traces for the external crystal to reduce parasitic capacitance.
- Bypass capacitors on DVCC, AVCC, and the reference pins if used.
- Avoid routing any high-frequency signals close to an analog signal line. For example, keep digital switching signals like a PWM or JTAG signals away from the oscillator circuit.
- For a detailed description of PCB layout considerations, see [Circuit Board Layout Techniques](#). This document is written primarily about op amps, but the guidelines are generally applicable for all mixed-signal applications.
- Consider proper ESD level protection to protect the device form unintended high-voltage electrostatic discharge. For more guidelines, see [MSP430™ System-Level ESD Considerations](#).

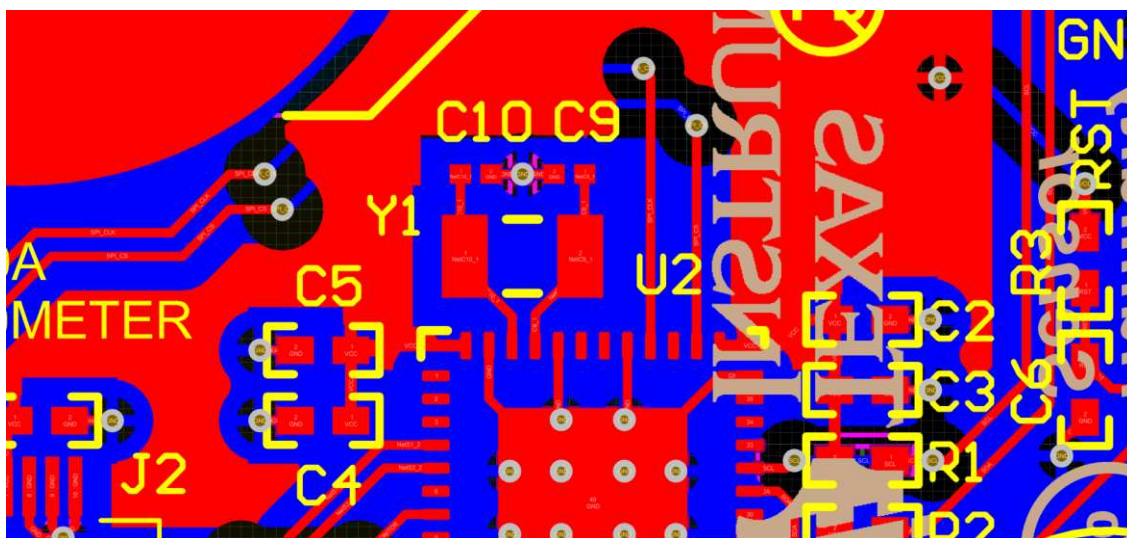


図 6. External Crystal Consideration

4.3.2 Layout Considerations for HDC2010 Humidity Sensor

Isolate the humidity sensor from the rest of the PCB by eliminating copper layers below the device (GND, VDD) and creating a slot into the PCB around the sensor to enhance thermal isolation.

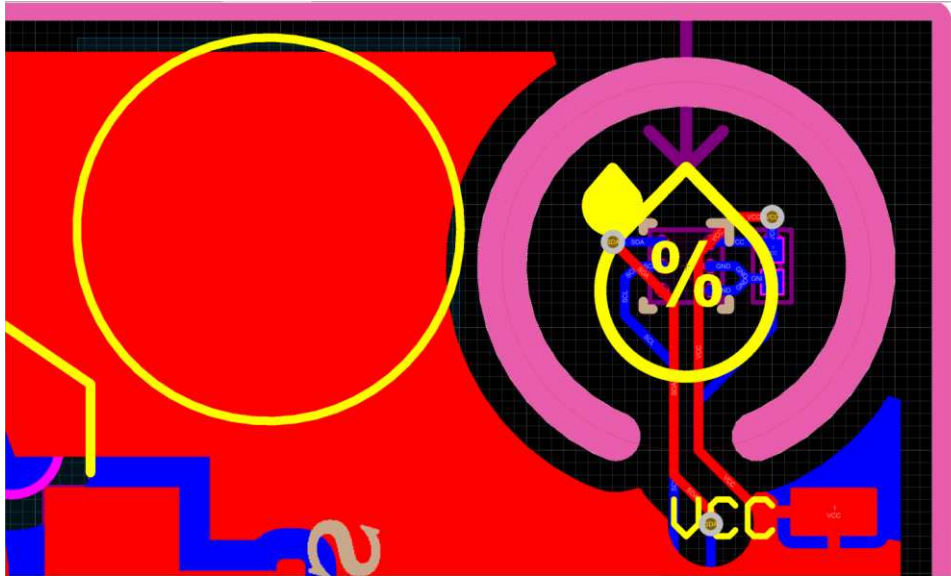


図 7. HDC Sensing Island

4.3.3 Layout Prints

To download the layer plots, see the design files at [TIDA-01625](http://www.ti.com/lit/zip/TIDA-01625).

4.4 Altium Project

To download the Altium project files, see the design files at [TIDA-01625](http://www.ti.com/lit/zip/TIDA-01625).

4.5 Gerber Files

To download the Gerber files, see the design files at [TIDA-01625](http://www.ti.com/lit/zip/TIDA-01625).

4.6 Assembly Drawings

To download the assembly drawings, see the design files at [TIDA-01625](http://www.ti.com/lit/zip/TIDA-01625).

5 Software Files

To download the software files, see the design files at [TIDA-01625](http://www.ti.com/lit/zip/TIDA-01625).

6 Related Documentation

1. Texas Instruments, [HDC2010 Low Power Humidity and Temperature Digital Sensors Data Sheet](#)
2. Texas Instruments, [MSP430FR59xx Mixed-Signal Microcontrollers Data Sheet](#)
3. Texas Instruments, [Load Switches: What Are They, Why Do You Need Them And How Do You Choose The Right One? Application Report](#)
4. Texas Instruments, [TIDA-00461 IO-Link Firmware Update Reference Design Leveraging MSP430™ FRAM Technology Design Guide](#)

6.1 商標

E2E, MSP430, Code Composer Studio, LaunchPad are trademarks of Texas Instruments.

Sharp is a registered trademark of Sharp Corporation.

すべての商標および登録商標はそれぞれの所有者に帰属します。

TIの設計情報およびリソースに関する重要な注意事項

Texas Instruments Incorporated ("TI")の技術、アプリケーションその他設計に関する助言、サービスまたは情報は、TI製品を組み込んだアプリケーションを開発する設計者に役立つことを目的として提供するものです。これにはリファレンス設計や、評価モジュールに関係する資料が含まれますが、これらに限られません。以下、これらを総称して「TIリソース」と呼びます。いかなる方法であっても、TIリソースのいずれかをダウンロード、アクセス、または使用した場合、お客様(個人、または会社を代表している場合にはお客様の会社)は、これらのリソースをここに記載された目的にのみ使用し、この注意事項の条項に従うことに合意したものとします。

TIによるTIリソースの提供は、TI製品に対する該当の発行済み保証事項または免責事項を拡張またはいかなる形でも変更するものではなく、これらのTIリソースを提供することによって、TIにはいかなる追加義務も責任も発生しないものとします。TIは、自社のTIリソースに訂正、拡張、改良、およびその他の変更を加える権利を留保します。

お客様は、自らのアプリケーションの設計において、ご自身が独自に分析、評価、判断を行う責任がお客様にあり、お客様のアプリケーション(および、お客様のアプリケーションに使用されるすべてのTI製品)の安全性、および該当するすべての規制、法、その他適用される要件への遵守を保証するすべての責任をお客様のみが負うことを理解し、合意するものとします。お客様は、自身のアプリケーションに関して、(1) 故障による危険な結果を予測し、(2) 障害とその結果を監視し、および、(3) 損害を引き起こす障害の可能性を減らし、適切な対策を行う目的での、安全策を開発し実装するために必要な、すべての技術を保持していることを表明するものとします。お客様は、TI製品を含むアプリケーションを使用または配布する前に、それらのアプリケーション、およびアプリケーションに使用されているTI製品の機能性を完全にテストすることに合意するものとします。TIは、特定のTIリソース用に発行されたドキュメントで明示的に記載されているもの以外のテストを実行していません。

お客様は、個別のTIリソースにつき、当該TIリソースに記載されているTI製品を含むアプリケーションの開発に関連する目的でのみ、使用、コピー、変更することが許可されています。明示的または黙示的を問わず、禁反言の法理その他どのような理由でも、他のTIの知的所有権に対するその他のライセンスは付与されません。また、TIまたは他のいかなる第三者のテクノロジーまたは知的所有権についても、いかなるライセンスも付与されるものではありません。付与されないものには、TI製品またはサービスが使用される組み合わせ、機械、プロセスに関連する特許権、著作権、回路配置利用権、その他の知的所有権が含まれますが、これらに限られません。第三者の製品やサービスに関する、またはそれらを参照する情報は、そのような製品またはサービスを利用するライセンスを構成するものではなく、それらに対する保証または推奨を意味するものでもありません。TIリソースを使用するため、第三者の特許または他の知的所有権に基づく第三者からのライセンス、もしくは、TIの特許または他の知的所有権に基づくTIからのライセンスが必要な場合があります。

TIのリソースは、それに含まれるあらゆる欠陥も含めて、「現状のまま」提供されます。TIは、TIリソースまたはその仕様に関して、明示的か暗黙的にかかわらず、他のいかなる保証または表明も行いません。これには、正確性または完全性、権原、続発性の障害に関する保証、および商品性、特定目的への適合性、第三者の知的所有権の非侵害に対する黙示の保証が含まれますが、これらに限られません。

TIは、いかなる苦情に対しても、お客様への弁済または補償を行う義務はなく、行わないものとします。これには、任意の製品の組み合わせに関連する、またはそれらに基づく侵害の請求も含まれますが、これらに限られず、またその事実についてTIリソースまたは他の場所に記載されているか否かを問わないものとします。いかなる場合も、TIリソースまたはその使用に関連して、またはそれらにより発生した、実際の、直接的、特別、付随的、間接的、懲罰的、偶発的、または、結果的な損害について、そのような損害の可能性についてTIが知らされていたかどうかにかかわらず、TIは責任を負わないものとします。

お客様は、この注意事項の条件および条項に従わなかったために発生した、いかなる損害、コスト、損失、責任からも、TIおよびその代表者を完全に免責するものとします。

この注意事項はTIリソースに適用されます。特定の種類の資料、TI製品、およびサービスの使用および購入については、追加条項が適用されます。これには、半導体製品(<http://www.ti.com/sc/docs/stdterms.htm>)、評価モジュール、およびサンプル(<http://www.ti.com/sc/docs/sampterms.htm>)についてのTIの標準条項が含まれますが、これらに限られません。