

TI Designs: TIDC-01004

デュアル・バンドのRFスペクトラム・アナライザのリファレンス・デザイン



概要

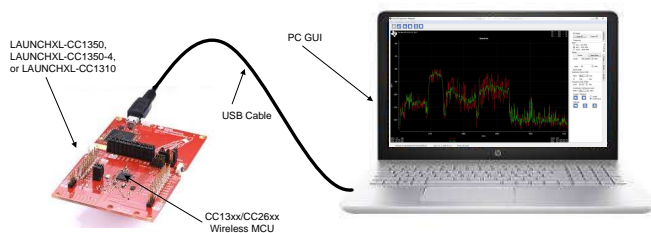
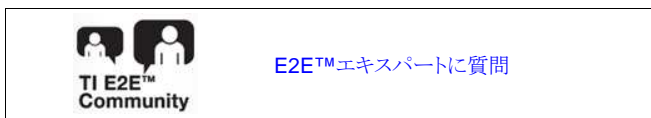
TI製のSA13x0スペクトラム・アナライザは、サブ1GHzおよび2.4GHz周波数帯域での無線周波数(RF)開発を迅速に開始できる、使いやすく安価なツールです。

RFリンクを内蔵した電子機器はますます増加しています。RFトランシーバは安価ですが、そのシステムを設計およびデバッグするための機器は安価ではありません。SA13x0スペクトラム・アナライザ(SA13x0)は、安価な開発ツールを提供し、開発者が高価な測定機器を使用しなければならない時間を減らすことを目的としています。

SA13x0はCC13x0 LaunchPad™上で動作し、USB経由でPCに接続して、強力で単純なグラフィカル・ユーザー・インターフェイス(GUI)で動作させることも、液晶ディスプレイ(LCD) BoosterPack™に接続して、押しボタン入力によりスタンドアロンで動作させることもできます。SA13x0は、どのCC13x0 LaunchPadとも互換性があります。

リソース

- TIDC-01004 デザイン・フォルダ
- CC1310 プロダクト・フォルダ
- CC1350 プロダクト・フォルダ



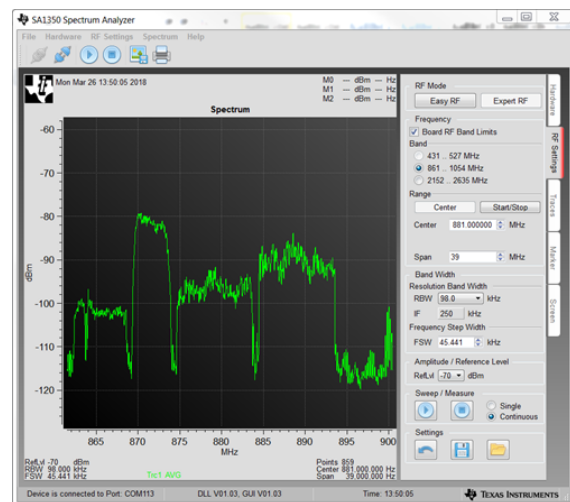
使用許可、知的財産、その他免責事項は、最終ページにあるIMPORTANT NOTICE (重要な注意事項)をご参照くださいますようお願いいたします。

特長

- 低コスト、低消費電力の携帯型スペクトラム・インジケータ
- RFシステムの開発とデバッグ用の、コスト効率の優れたツール
- サブ1GHzおよび2.4GHzのISM帯域内で動作
- PCおよびオプションのスタンドアロンLCDによるスペクトラム表示

アプリケーション

- RFハードウェアの開発とデバッグ
- Bluetooth LE、ZigBee™、Thread、Wi-Fi®、wM-BUS、802.15.4製品の開発
- RF機器の展開前に干渉を現場でテスト

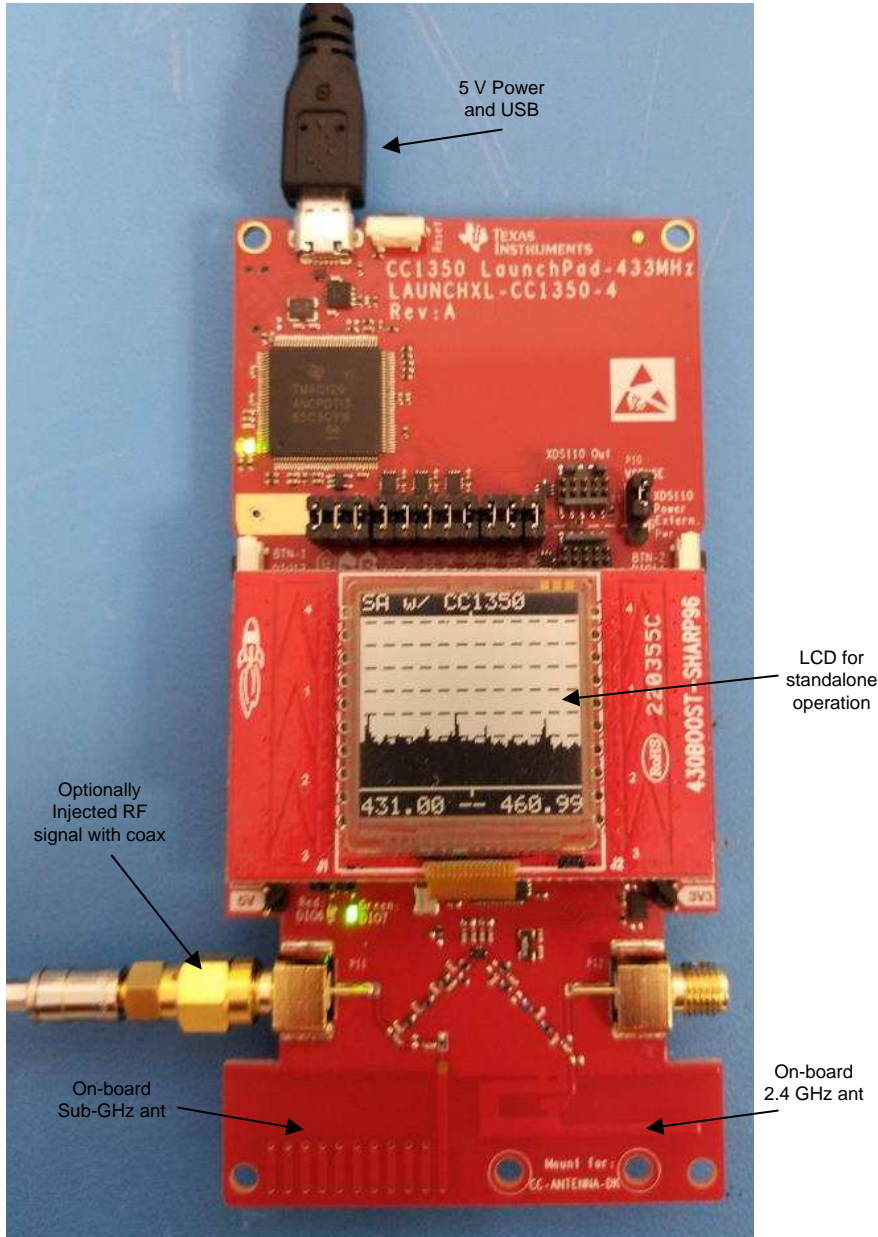


1 System Description

The SA13x0 system consists of a CC13x0 LaunchPad board programmed with SA13x0-specific firmware, a mechanism for user input, and a display for plotting RF-signal measurements. The SA13x0 can operate in standalone mode, where the CC13x0 LaunchPad is coupled with a SHARP-96 LCD BoosterPack board, and the RF-signal measurements are displayed on the LCD. Alternatively, the system functionality can be extended with a separate GUI application running on a Windows® PC, which provides additional configurability and enables a higher resolution measurement and display of the RF signals.

The overall system consists of the hardware and software components that follow:

- SA13x0 firmware program
- CC13x0 LaunchPad board (use any of the following)
 - [LAUNCHXL-CC1350](#)
 - [LAUNCHXL-CC1350-4](#)
 - [LAUNCHXL-CC1310](#)
- SA13x0 Windows GUI application
- Windows PC
- [430BOOST-SHARP-96](#) LCD BoosterPack (required for standalone operation, but optional when the GUI is used)

When the SA13x0 is operated in standalone mode, the hardware components used are the CC13x0 LaunchPad, LCD BoosterPack, and a 5-V micro-USB power source.  1 shows the SA13x0 when operating in standalone mode.

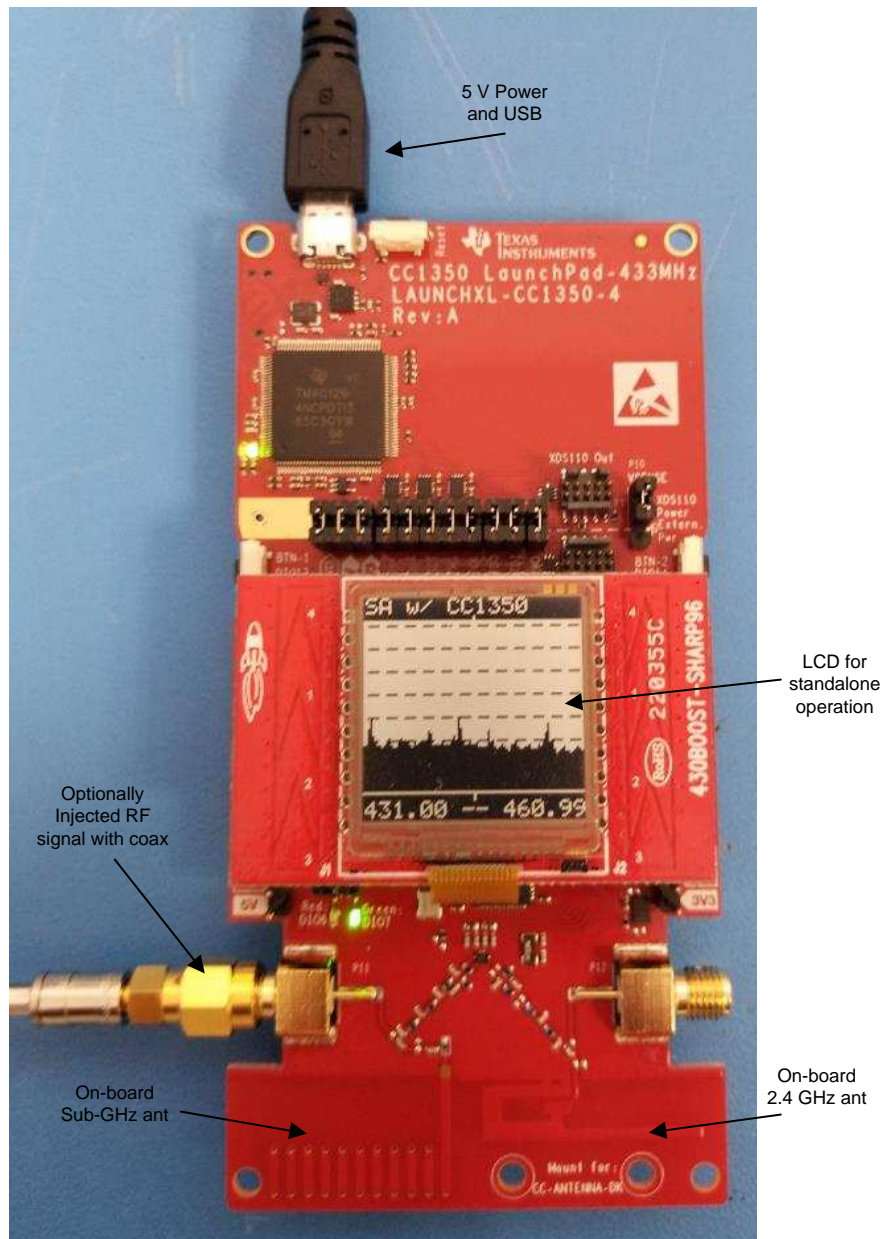
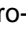


図 1. SA13x0 Standalone Mode

The CC13x0 LaunchPad is programmed with the SA13x0 firmware for either mode of operation. The SA13x0 firmware controls all the features of standalone operation, including user-interface functionality. RF measurement adjustments are made through the push buttons on the CC13x0 LaunchPad, with the RF measurement results displayed on the LCD BoosterPack.

When the SA13x0 is operated with the Windows PC GUI, the hardware components used are the CC13x0 LaunchPad, 5-V micro-USB power source, and Windows PC.  1 shows the SA13x0 operating in GUI mode.

RF measurement adjustments are made through the GUI configuration tabs on the Windows PC, and commands are sent to the CC13x0 LaunchPad over the USB. The RF measurement results are displayed in the graph area of the GUI. When the SA13x0 GUI is used the LCD BoosterPack is optional, because the RF measurements are displayed in the GUI.

注: Detailed user documentation for the SA13x0 is included with the Windows SA13x0 installer.

1.1 Key System Specification

表 1. Key System Specifications

PARAMETER	SPECIFICATIONS
Frequency ranges	431 MHz to 527 MHz 861 MHz to 1054 MHz 2152 MHz to 2635 MHz
Minimum frequency step	488.3 Hz (typical)
Maximum input level	10 dBm (absolute) – range extendable with attenuators
Minimum detectable level	–109 dBm (typical)
Level resolution	1.0 dB
Update rate	approximately 1000 samples/second

表 2. System Requirements

PARAMETER	SPECIFICATION
Screen resolution	Minimum: 800 × 600 Recommended: 1024 × 768
Operating system	Windows 7, 32/64 bit
Hard-drive space	200MB free-drive space
Connection	USB full-speed port

2 System Overview

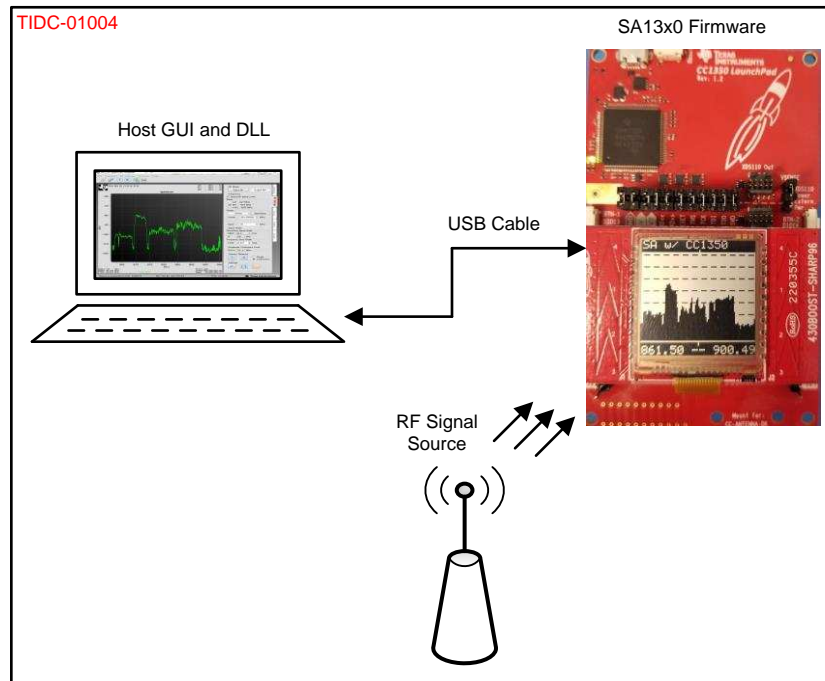


図 2. TIDC-01004 System Overview

2.1 SA13x0 Firmware

The SA13x0 firmware is based on TI-RTOS and is executed by the embedded Arm® Cortex® CPU of the CC13x0 device.

One of the main functions of the firmware is to enable user input in either GUI mode or standalone mode. In GUI mode, the firmware receives user input through a serial command interface over the USB connection with the host. In standalone mode the firmware receives user input directly through the buttons of the CC13x0 LaunchPad.

Another key function of the firmware is to configure the CC13x0 radio hardware as commanded by the GUI or LaunchPad buttons, to measure an indication of the RF signal strength at specific frequencies. Input commands are first translated into radio commands for the radio hardware, then sent to the radio hardware for new RF measurement results.

The final critical function is support of the display mechanism for the RF measurement results. The firmware displays the RF measurements on the LCD BoosterPack for standalone mode. In GUI mode, the firmware returns the RF measurements to the PC over the USB connection for display on the PC.

2.2 Host GUI and DLL


The host GUI and DLL run on a Windows PC. The flexible GUI is based on an open-source Qt GUI and lets developers set the desired frequency band, span, step size, amplitude, and receiver bandwidth, to measure an indication of the RF power.

Up to four traces can be visualized on the GUI, which can be configured to show maximum, average, or actual readings. Up to three markers are available for easy measurement of readings and deltas between readings. These markers can be manually controlled using a jog wheel.

The GUI view can be configured to show grids, customizable labels, date and time, inverted colors, and other options. The DLL implements the low-level driver that communicates with the CC13x0 LaunchPad over a USB cable.

2.3 **Highlighted Products**

2.3.1 **SimpleLink™ Ultra-Low-Power CC1350 and CC1310**

The SA13x0 is compatible with the CC1310 and CC1350 devices from TI, collectively referred to as CC13x0 devices. The CC13x0 devices are highly-integrated, true single-chip solutions, incorporating a complete RF system and an on-chip DC-DC converter. Very-low active RF and MCU current consumption, in addition to flexible low-power modes, provide excellent battery lifetime and allow long-range operation on small coin-cell batteries and in energy-harvesting applications. The CC1310 RF subsystem can operate in the sub-1 GHz RF frequency band, while the CC1350 can operate in both the sub-1 GHz and 2.4GHz RF frequency bands.  3 shows the block diagram of the SimpleLink™ CC13x0 wireless MCU.

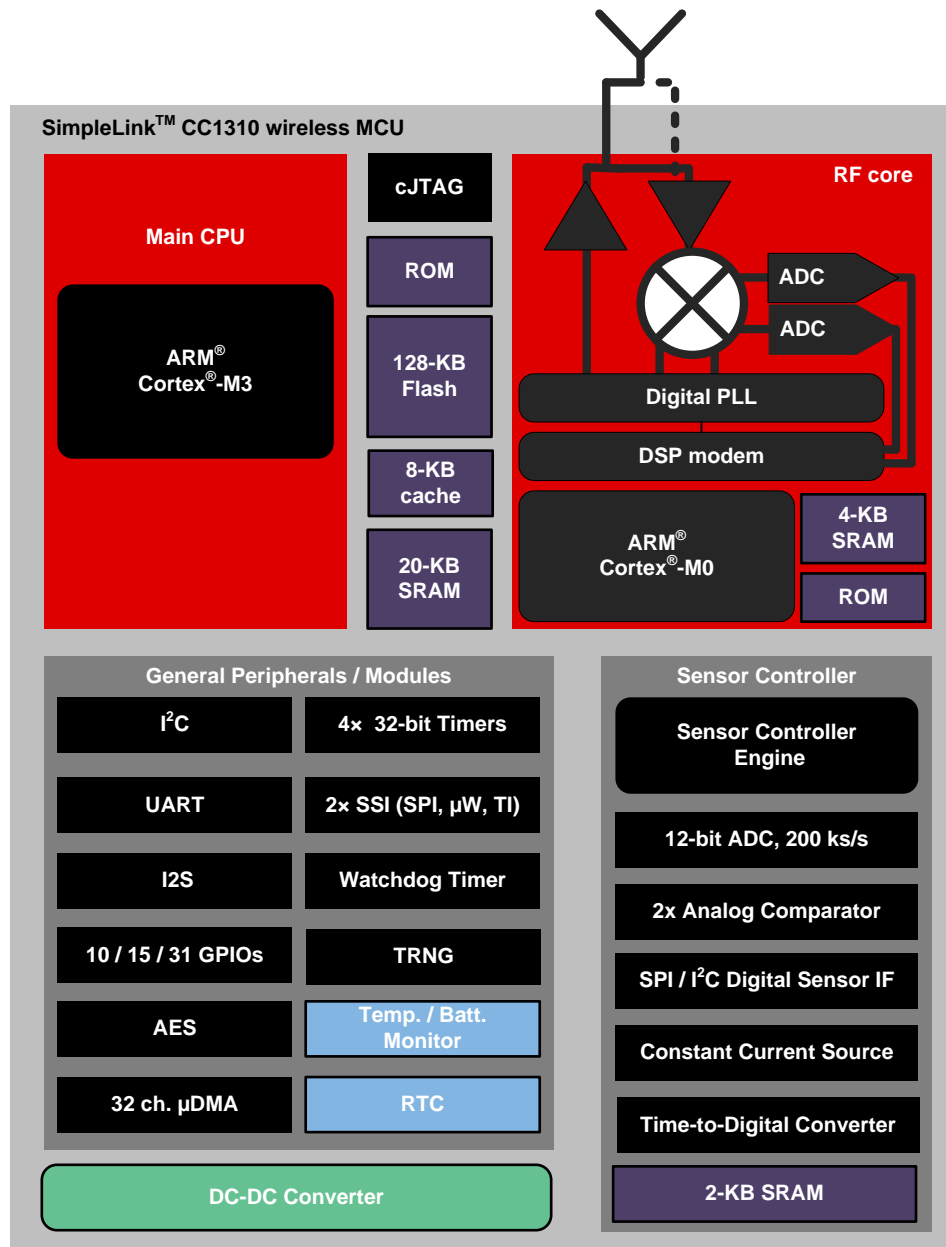


図 3. SimpleLink™ Ultra-Low-Power CC1350 and CC1310

The CC13x0 device combines a flexible, low-power RF transceiver with a powerful 48-MHz ARM® Cortex®-M3 MCU in a platform supporting multiple physical layers and RF standards. A dedicated radio controller (Cortex-M0) handles low-level RF protocol commands that are stored in the ROM or RAM, thus ensuring ultra-low power and the flexibility to handle both sub-1 GHz and 2.4-GHz protocols. This configuration enables the combination of a sub-1 GHz communication solution that offers the best possible RF range, with a Bluetooth LE smartphone connection that enables great user experience through a phone application.

2.3.2 SimpleLink™ CC13xx SDK

The SimpleLink Sub-1 GHz CC13x0 software development kit (SDK) provides a comprehensive, sub-1 GHz software package for the sub-1 GHz CC1310 and dual-band CC1350 wireless MCUs. The SDK includes the following:

- TI 15.4-Stack – IEEE 802.15.4e/g-based, star-topology networking solution for sub-1 GHz ISM bands (868 MHz, 915 MHz, and 433 MHz)
- Support for proprietary solutions – proprietary RF examples for the sub-1 GHz based on the RF driver and EasyLink Abstraction Layer
- Bluetooth LE – Stack with support for all Bluetooth 4.2 core-specification features, as well as a BLE micro-stack to support developers using the dual-band CC1350 wireless MCU

Figure 4 shows a block diagram of the SimpleLink CC13xx SDK.

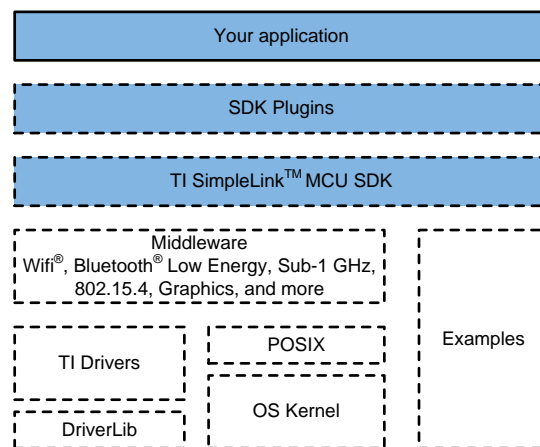


Figure 4. SimpleLink™ CC13xx SDK

The SimpleLink CC13x0 SDK is part of the SimpleLink MCU platform from TI, which offers a single development environment that delivers flexible hardware, software, and tool options for customers developing wired and wireless applications. For more information about the SimpleLink MCU Platform, visit www.ti.com/simplelink.

This software release is available royalty-free to customers using the SimpleLink Sub-1 GHz CC1310 and dual-band CC1350 wireless MCUs from TI.

3 SA13x0 Setup and Operation

3.1 Install Software

The SA13x0 installer includes all the necessary program files and documentation for operation, while a standard Windows installer provides quick and easy installation of the SA13x0.

The device drivers required to support firmware updates of the CC13x0 LaunchPad used with the SA13x0 are installed during the SA13x0 installation. The drivers enable the GUI to automatically program the LaunchPad connected to the SA13x0 during GUI mode operation.

3.1.1 Execute Installer

1. Run the SA13x0 Windows Installer by double clicking the executable icon.
2. Click the Next button on the Setup – SA13x0 Spectrum Analyzer screen.
3. Read the license agreement then select *I accept the agreement* and click the Next button on the License Agreement screen.
4. Keep the default installation directory, and click the Next button on the Installation Directory screen.
5. Keep the Install firmware update drivers option selected, and click the Next button on the Custom SA1350 Installation Steps screen.
6. Click the Next button on the Ready to Install screen.
7. Wait for the installation process to finish.
8. Choose whether to keep the View Readme File option selected, keep the Run SA13x0 Spectrum Analyzer option selected, and then click the Next button on the Completing the SA13x0 Spectrum Analyzer Setup Wizard screen.

3.2 Connect Hardware

Connect the CC13x0 LaunchPad board to an unused USB port on the computer. The CC13x0 LaunchPad is automatically enumerated as a virtual-COM port device, XDS110 Class Application/User UART, in the Windows Device Manager. When the CC13x0 LaunchPad is connected to the PC, the board has a steady green LED and is ready to be used.

3.2.1 Connect RF

The CC13x0 LaunchPad is equipped with standard PCB trace antennas for all supported RF bands. Optional RF-SMA coaxial connections are available and can be connected to the RF path.

See the product page for the CC13x0 LaunchPad being used for details, and see the [CC-ANTENNA-DK2 product page](#) for measurement reports.

CAUTION

The absolute-maximum input level is 10 dBm. Exceeding this level can damage the SA13x0 hardware.

3.3 Connect Software With Hardware

The SA13x0 GUI starts in the Hardware tab, to allow selection of the desired hardware. Assuming only one CC13x0 LaunchPad is connected to the PC, the connection can easily be made by pressing the Connect symbol or the Connect button in the Hardware tab, as shown in [Figure 5](#).

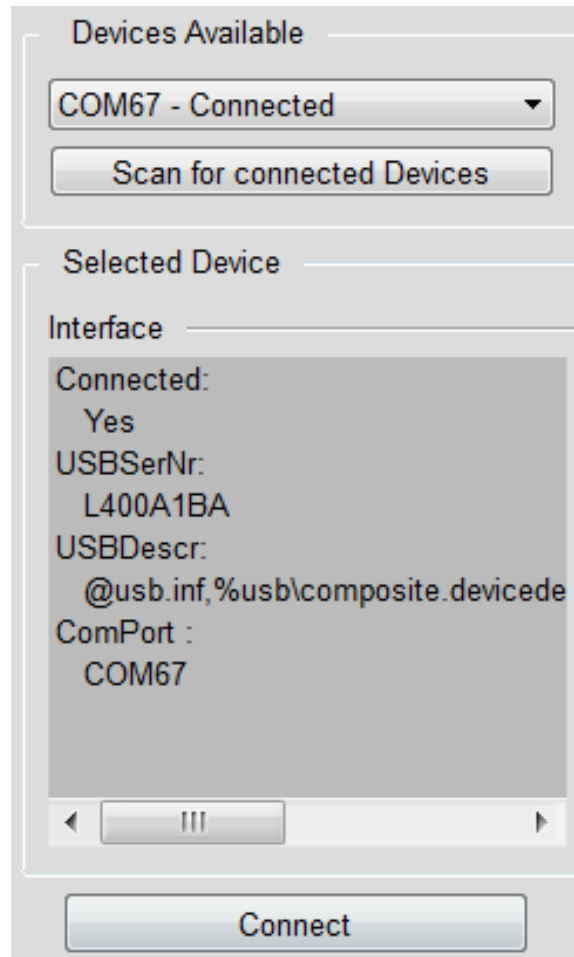


Figure 5. Hardware Tab

3.3.1 Firmware Update

If the connected CC13x0 LaunchPad is not programmed with the necessary SA13x0 firmware, the GUI displays a message indicating that the device is nonresponsive and initiates a firmware update process. Simply click the Ok and No buttons within the two prompts, which appear following the nonresponsive message. After the firmware update process is complete, the GUI can connect to the CC13x0 LaunchPad.

3.3.2 Ready for Operation

After the SA13x0 establishes communication with the LaunchPad, the connect icon is disabled, and the status bar shows a message that indicates the COM port number and device information for the connected LaunchPad (see [Figure 3](#)). The SA13x0 is now ready for operation.

3.4 First Operation

3.4.1 First Measurement

Select the desired frequency band (one of the three supported bands), then specify the center frequency and span to measure. Users can either use the Center or Start/Stop frequencies for the range input – both settings are equivalent.

Select the Reference Level (RefLvl) according to the expected input level. The reference level shifts the spectrum-display axes for the RF readings. If the signal strength is unknown, it is a good idea to start with a low reference level and increase it if high readings, clipped readings, or artifacts are observed.

When all the settings are made, the measurement is triggered with the start button shown in [Figure 6](#). Use this button when it is time for changes to the RF settings to become active.



図 6. Start Button

To change the RF settings during the measurement, first enter the new settings, and then apply them by pressing the Start button again.

3.4.2 First Results

The measured spectrum is displayed in the left-hand graph window. The graph window displays power-indication information over frequency. By default, the actual trace is shown as well as a trace of the sliding, 6-point weighted average. Traces can be adjusted, added, and removed from the Trace tab on the right-hand side.

Markers are available, to allow for easier reading of measurement results. Markers are enabled in the Marker tab on the right side, by selecting a trace source for the desired marker. The markers can be moved across frequency with the jog dial.

Figure 7 shows the graph window with the default traces, marker zero and marker one configured as a delta on trace zero, and marker two configured as a measurement on trace one.

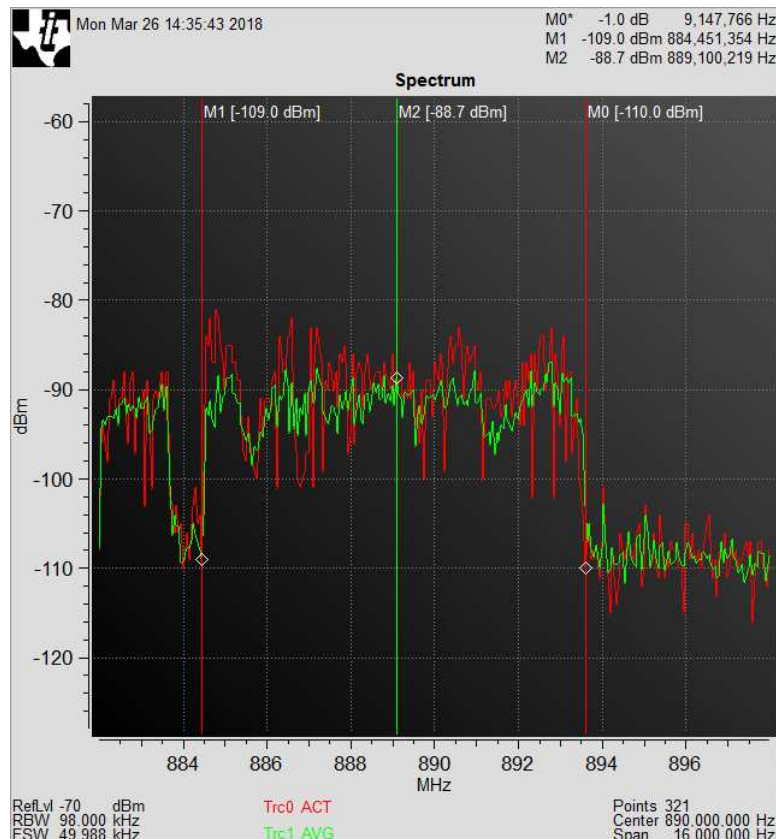


図 7. Frequency Graph

More information on how to use the Spectrum Analyzer is in the Spectrum Analyzer user's guide. Users can easily launch the guide from within the GUI in the Help menu.

4 Functional Testing Requirements, Setup, and Results

The SA13x0 functional tests are performed by capturing RF measurements of a reference tone or modulated signal with the SA13x0 and comparing the results with measurements of the same tone or signal using a calibrated, commercial, bench-top spectrum analyzer.

4.1 Required Hardware

The following hardware is used for the functional tests.

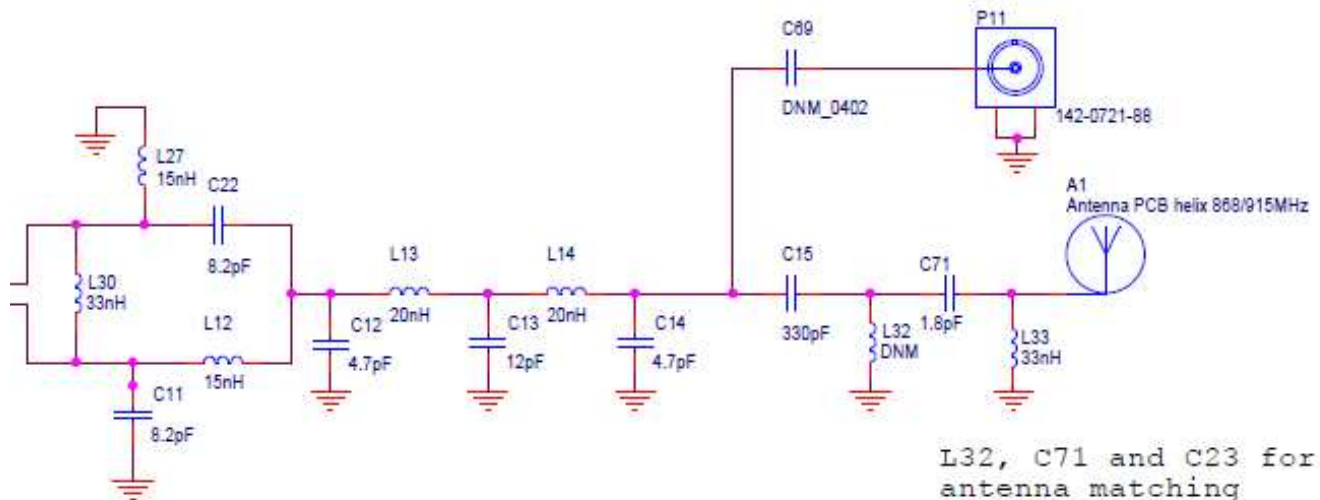
- Rohde & Schwarz SMU200A Signal Generator
- Agilent E4440A Spectrum Analyzer
- Two LAUNCHXL-CC1350-4 LaunchPad boards
- Midwest Microwave PWD-5520-02-sma-79 2-way divider (sub-1 GHz tests) and Mini-Circuits ZFRSC-42-S+ 2-way splitter (2.4-GHz tests)
- Windows PC
- Two Micro USB cables
- Coax cables

The LAUNCHXL-CC1350-4 LaunchPad board is modified from its default configuration, such that the CC1350 receive-input path is connected to the SMA connectors instead of the PCB trace antennas.

Figure 8 shows an excerpt of the LAUNCHXL-CC1350-4 board schematic highlighting the required modifications.

Sub-1 GHz RF section

Remove C15 and Place it at C69 (330pF) to use SMA Connector P11 for testing



2.4 GHz RF section

Remove C24 and Place 0 Ohm Resistor at C67 to use SMA Connector P12 for testing

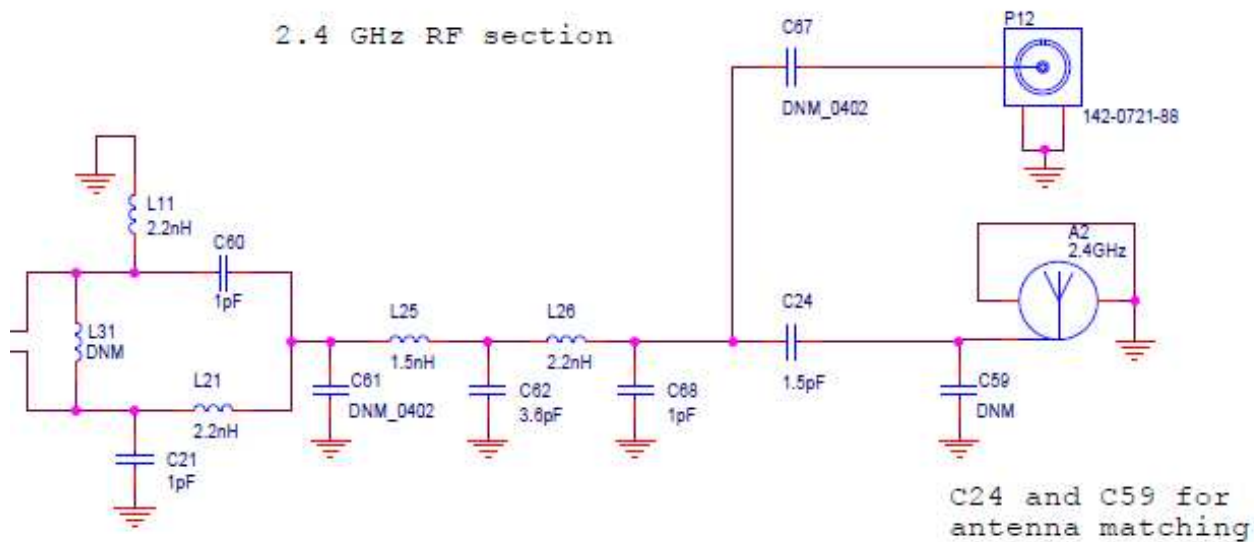


Figure 8. LAUNCHXL-CC1350-4 Hardware Modifications

To enable sub-1 GHz band testing at the SMA connector P11, the capacitor C15 is removed and C69 is populated with a 330-pF capacitor.

Similarly, to enable 2.4-GHz band testing at the SMA connector P12, the capacitor C24 is removed and C67 is populated with a 0- Ω resistor.

Also, by default the sub-1 GHz, RF front end of the LAUNCHXL-CC1350-4 LaunchPad board is tuned for the 433-MHz band. The component values of the RF front end must be changed for P11 to yield accurate measurements for the 868- and 915-MHz band signals. The LAUNCHXL-CC1350 LaunchPad board, sub-1 GHz, RF front-end, default configuration is tuned for the 868- and 915-MHz band. The schematics of that board can be referenced for the correct inductor and capacitor values to use for the 868- and 915-MHz band signals.

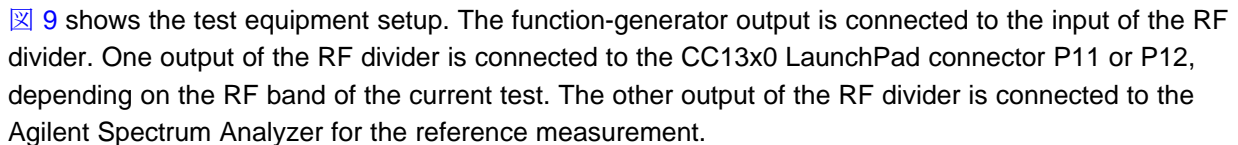
4.2 Required Software

The following software is used for the functional tests.

- SA13x0 Windows Installer
- [SmartRF™ Studio](#)

See [3](#) for details on installing and configuring the SA13x0 Windows GUI. See the SmartRF Studio tool page for instructions on how to configure the SmartRF Studio.

4.3 Test Setup

 [9](#) shows the test equipment setup. The function-generator output is connected to the input of the RF divider. One output of the RF divider is connected to the CC13x0 LaunchPad connector P11 or P12, depending on the RF band of the current test. The other output of the RF divider is connected to the Agilent Spectrum Analyzer for the reference measurement.

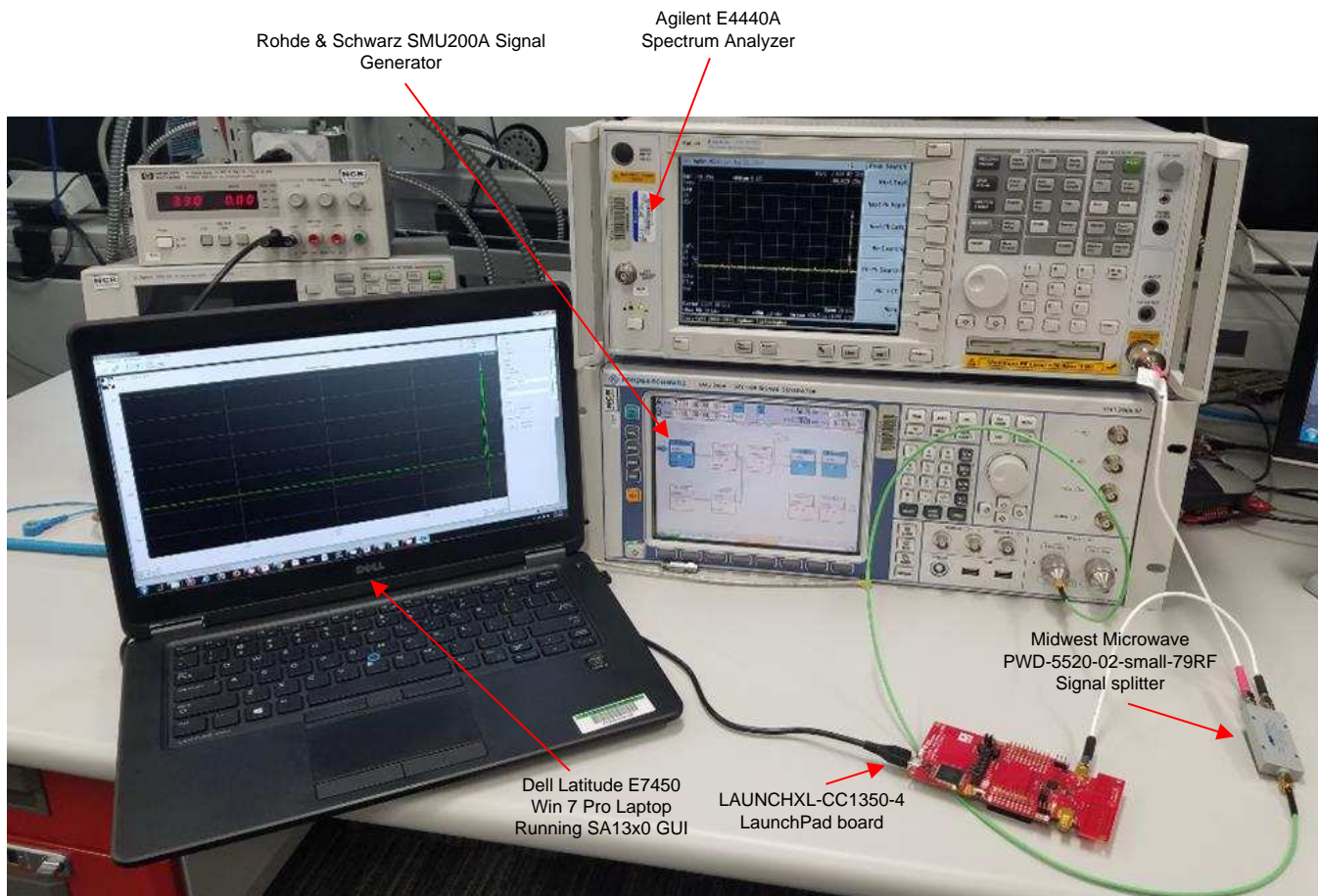


図 9. Test Equipment Setup

4.4 Unmodulated Carrier Test

The unmodulated carrier test applies an unmodulated carrier to the SA13x0, to confirm the peak-magnitude accuracy and frequency of the RF measurements. The test is repeated with a carrier frequency set at the center, upper, and lower edges of each SA13x0 supported band. Consequently, a total of nine frequencies are tested.

At each frequency, the magnitude of the carrier is varied in 10-dB increments, from -100 dBm to -60 dBm. The overall test includes 45 separate runs: nine frequencies at five power levels each. The RF signal at each point is measured with the SA13x0 GUI and the Agilent spectrum analyzer.

4.4.1 SA13x0 GUI Settings for Unmodulated Carrier Test

表 3 lists the SA13x0 Expert RF Mode configuration used for the unmodulated carrier test at each frequency.

表 3. SA13x0 Expert RF Mode Configuration for Unmodulated Carrier Test

TEST CONFIG NO.	CENTER f (MHz)	SPAN (MHz)	RBW (kHz)	FSW (kHz)	RefLvl (dBm)
1	441	20	38.9	19.226	-70
2	479				
3	517				
4	871				
5	957.5		43.5		
6	1044				
7	2162				
8	2393.5				
9	2625				

4.4.2 Signal-Generator Settings for Unmodulated Carrier Test

The signal generator is configured to output a signal, with modulation turned off, at the frequency under test, at a magnitude equal to the magnitude under test plus the measured RF loss, through the coax cables and divider. The RF losses are measured at the cable ends for both splitter outputs at the center frequency of each band under test by the spectrum analyzer.

4.5 Modulated Carrier Test

The modulated carrier test applies a modulated carrier to the SA13x0, to confirm the RF waveform shape, frequency, and magnitude accuracy of the RF measurements. The test is repeated with a carrier frequency set at a single frequency in each of the SA13x0 supported bands. Consequently, a total of three frequencies are tested.

At each frequency, a LAUNCHXL-CC1350-4 LaunchPad is connected to the SmartRF Studio in either Proprietary mode for sub-1 GHz tests or BLE mode for 2.4-GHz tests, to act as the modulated carrier source. The overall test includes three separate runs – one run at each frequency. The RF signal at each point is measured with the SA13x0 GUI and the Agilent spectrum analyzer.

4.5.1 SA13x0 GUI Settings for Modulated Carrier Test

表 4 lists the SA13x0 Expert RF mode configuration used for the modulated carrier test.

表 4. SA13x0 Expert RF Mode Configuration for Modulated Carrier Test

CENTER f (MHz)	SPAN (MHz)	RBW (kHz)	FSW (kHz)	RefLvl (dBm)
444	25	117.7	31.250	-55
915				
2440				

4.5.2 Function Generator Settings for Modulated Carrier Test

A separate LaunchPad board and SmartRF Studio software are used in place of the bench-top function generator, to generate the modulated carrier waveform. 表 5 lists the SmartRF Studio, Continuous-TX test, RF Parameters used for the modulated carrier test.

表 5. SmartRF™ Studio RF Parameters for Modulated Carrier Test

f (MHz)	SYMBOL RATE (kbaud)	DEVIATION (kHz)	TX POWER (dBm)	WHITENING
444	50	25	-10	No whitening
915				
2440	N/A (BLE Mode)	N/A (BLE Mode)	-21	Checked

In addition to the RF Parameters, *Modulated* is selected in the Continuous TX test tab of the SmartRF Studio software.

4.6 Test Results and Summary

4.6.1 Unmodulated Carrier Test Results

表 6 lists the configuration of the SA13x0 and signal generator for each test run, in addition to the measured power of the spectrum analyzer and indicated power of the SA13x0.

表 6. Unmodulated Carrier Test Results

SA13x0 CENTER f (MHz)	SIGNAL GENERATOR CARRIER CENTER f (MHz)	SIGNAL GENERATOR CARRIER MAGNITUDE (dBm)	SPECTRUM ANALYZER POWER MEASUREMENT (dBm)	SA13x0 GUI INDICATED POWER (dBm)
441	432	-100	-100.441	-95.9
		-90	-90.390	-85.7
		-80	-80.265	-75.4
		-70	-70.303	-66.0
		-60	-60.285	-56.0
479	479	-100	-100.559	-97.5
		-90	-90.924	-88.0
		-80	-82.478	-78.3
		-70	-70.792	-69.0
		-60	-60.777	-60.4
517	526	-100	-100.456	-100.3
		-90	-90.395	-90.1
		-80	-80.442	-80.0
		-70	-70.417	-70.1
		-60	-60.369	-60
871	862	-100	-100.668	-106.5
		-90	-90.848	-96.1
		-80	-80.462	-86.0
		-70	-70.442	-77.0
		-60	-60.434	-66.0
957.5	957.5	-100	-102.532	-105.4
		-90	-92.417	-95.3
		-80	-82.337	-85.0
		-70	-72.502	-75.0
		-60	-62.527	-66.0
1044	1053	-100	-102.094	-102.6
		-90	-90.799	-95.1
		-80	-80.769	-85.0
		-70	-70.767	-75.0
		-60	-60.916	-65.1
2162	2153	-100	-103.983	-102.0
		-90	-94.257	-90.0
		-80	-84.787	-80.2
		-70	-74.813	-74.6
		-60	-61.662	-54.3
2393.5	2393.5	-100	-102.505	-100.1
		-90	-92.236	-88.7
		-80	-82.292	-80.2
		-70	-72.334	-73.1
		-60	-62.213	-57.6
2625	2634	-100	-109.374	-106.3
		-90	-95.279	-95.8
		-80	-85.307	-83.8
		-70	-75.058	-73.1
		-60	-64.98	-63.9

4.6.2 Modulated Carrier Test Results

図 10 and 図 11 show an example of the raw results of the modulated-carrier test for the 2.4-GHz band. 図 10 shows a screenshot of the SA13x0 measurement and 図 11 shows a screenshot of the Agilent Spectrum Analyzer measurement.

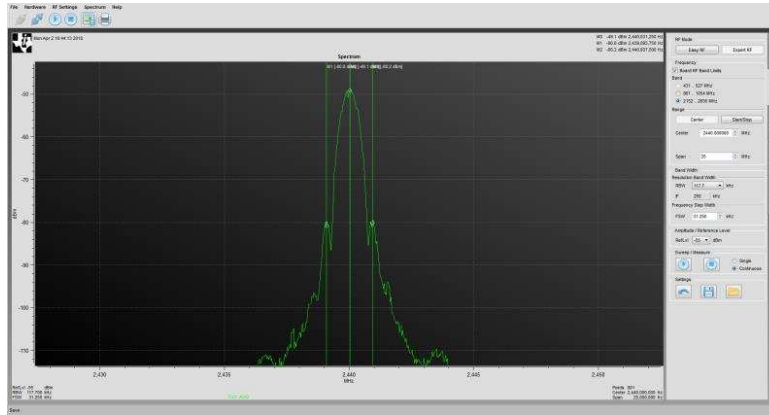


図 10. SA13x0 Modulated Carrier Test Measurement

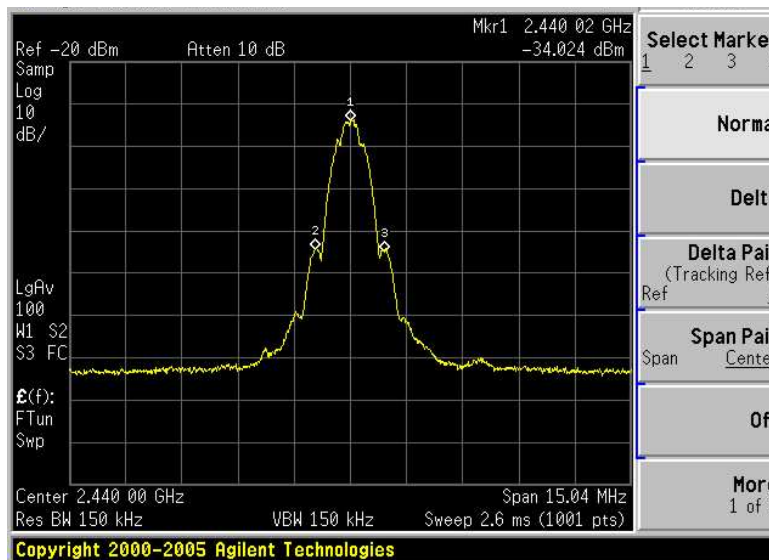


図 11. Spectrum Analyzer Carrier Test Measurement

表 7 lists the peak and side-lobe frequencies for each test run, in addition to the measured power of the spectrum analyzer and the indicated power of the SA13x0.

表 7. Modulated Carrier Test Results

PEAK f (MHz)	LEFT-LOBE f (MHz)	RIGHT-LOBE f (MHz)	SPECTRUM ANALYZER PEAK POWER (dBm)	SA13x0 PEAK INDICATED POWER (dBm)	SPECTRUM ANALYZER LEFT-LOBE POWER (dBm)	SA13x0 LEFT-LOBE INDICATED POWER (dBm)	SPECTRUM ANALYZER RIGHT-LOBE POWER (dBm)	SA13x0 RIGHT-LOBE INDICATED POWER (dBm)
444.00	443.9	444.1	-48.073	-43.0	-87.184	-70.0	-88.845	-74.1
915.00	914.9	915.1	-49.141	-60.0	-86.080	-83.7	-88.886	-89.7

表 7. Modulated Carrier Test Results (continued)

PEAK f (MHz)	LEFT-LOBE f (MHz)	RIGHT-LOBE f (MHz)	SPECTRUM ANALYZER PEAK POWER (dBm)	SA13x0 PEAK INDICATED POWER (dBm)	SPECTRUM ANALYZER LEFT-LOBE POWER (dBm)	SA13x0 LEFT-LOBE INDICATED POWER (dBm)	SPECTRUM ANALYZER RIGHT-LOBE POWER (dBm)	SA13x0 RIGHT-LOBE INDICATED POWER (dBm)
2440	2439	2441	-34.289	-30.5	-65.439	-63.4	-64.596	-62.1

図 12 through 図 14 display a comparison between the spectrum analyzer measurement and the SA13x0 measurement of the 2.4-GHz, 915-MHz, and 444-MHz bands. To generate these graphs the trace export feature of the SA13x0 GUI is used, to save a comma-separated values (.csv) file of the test results. The trace export feature is accessible from the Traces tab of the GUI. A similar export feature is used to save the measurement results from the Agilent Spectrum Analyzer, and then Microsoft Excel is used to format the results in 図 12 through 図 14.

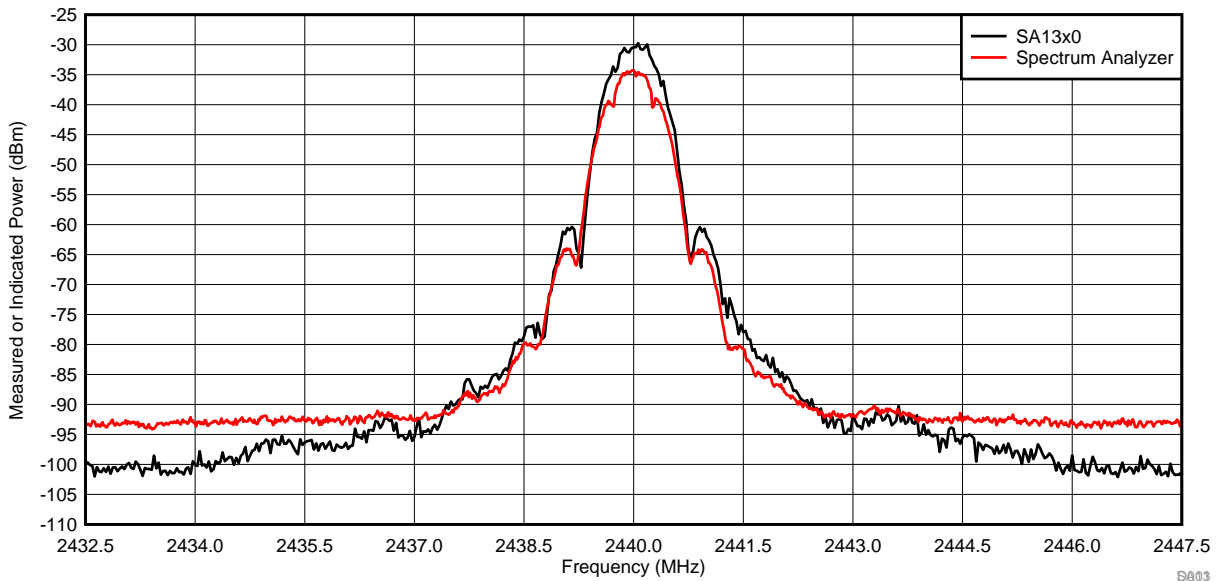
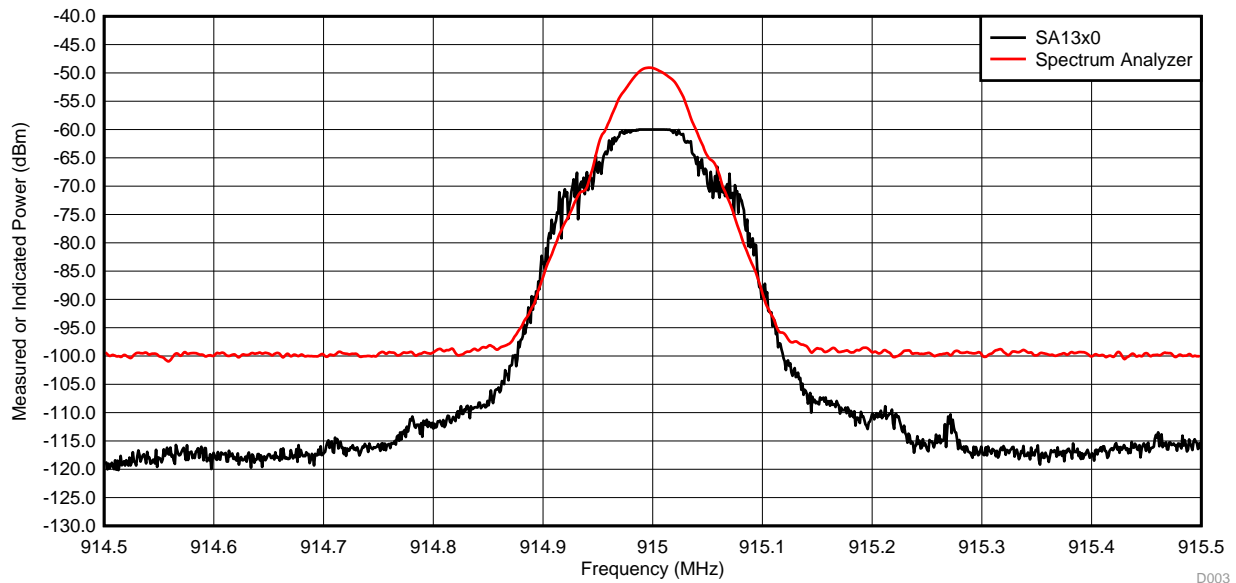
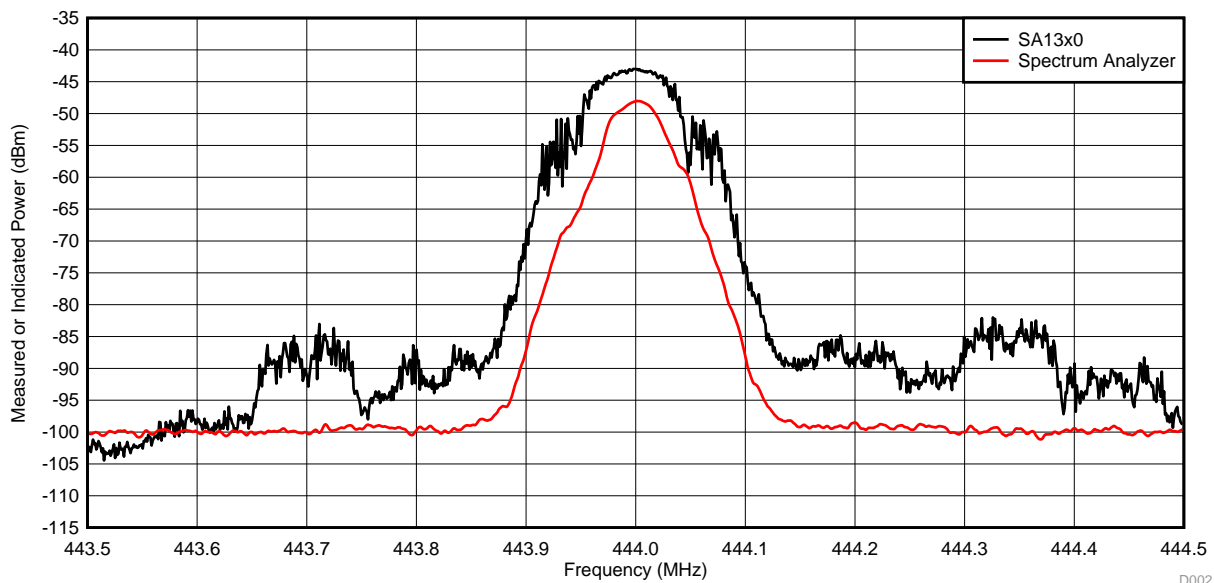


図 12. Modulated Carrier Test Results: 2.4-GHz Band



☒ 13. Modulated Carrier Test Results: 915-MHz Band



☒ 14. Modulated Carrier Test Results: 444-MHz Band

4.6.3 Test Results Summary

The performance of the SA13x0 indicated that power measurements are useful for debug and developmental testing of low-power RF systems. Although the SA13x0 capabilities are not expected to match the level of a dedicated spectrum analyzer, the tool provides very valuable results at a cost that is exponentially lower. This expectation of performance is reflected in both of the carrier test results summarized below.

Unmodulated-carrier test results indicate an average absolute error versus the signal generators input of 3.7 dB for the SA13x0, in comparison to 1.895 dB of the spectrum analyzer across all runs. The maximum error versus the signal-generators input was 7 dB for the SA13x0 and 8.278 dB for the spectrum analyzer. The average relative error of the SA13x0 versus the spectrum analyzer measurement was 3.0 dB across all runs, with a maximum error of 6.6 dB.

Modulated-carrier test results show an average peak measurement difference of 6.6 dB between the SA13x0 and spectrum analyzer. When comparing the power delta from the peak to side lobes, the average difference of the SA13x0 delta from the spectrum analyzer delta was 8.0 dB. These two results show that both the absolute modulated-measurement performance and relative modulated-measurement performance are similar to those seen in the unmodulated performance results of the SA13x0. [Figure 12](#) through [Figure 14](#) show a qualitative graphical view for the performance of the SA13x0 modulated-carrier test, which aligns with this quantitative performance summary.

The SA13x0 test results confirm the expectations of the system to be capable of providing RF power indication levels to a user. The SA13x0 performs well as an easy-to-use and affordable tool to quick-start RF development, as reflected in the results of both the unmodulated and modulated carrier tests.

5 Troubleshooting

- Problem: The hardware is connected, but it is not shown as available in the hardware tab.
Solution: Scan for connected devices (see [☒ 1](#)). It is possible that the device was plugged in after the software was started.
- Problem: The device is still not shown.
Solution: Check the green LED closest to the USB connector, the LED should be on. Ensure that the COM port shows in the device manager.
- Problem: After the user connects the USB the device is shown, but they cannot connect to it.
Solution: Ensure that the port is not used by any other software. Some applications connect to everything they can and block access to the port. Ensure that no other instances of SA13x0Gui.exe are running. Remove the SA13x0 hardware from the USB and reinsert it.
- Problem: What if the PC loses power?
Solution: Ensure to use the export-RF settings function to save the work for later reference.
- Problem: The user has an issue that is not described here. What should they do?
Solution: Go online to e2e.ti.com and post a question to the community.

6 Design Files

To download the software files, see the design files at [TIDC-01004](#).

6.1 Hardware Design Files

To download the schematics, BOM, PCB layout recommendations, Altium, Gerber, and assembly drawings, see the design files at:

- [CC1310 LaunchPad](#)
- [CC1350 LaunchPad](#)
- [CC1350-4 LaunchPad](#)
- [Sharp® Memory LCD BoosterPack](#)

7 Related Documentation

The following are related documents:

Texas Instruments, [CC1310 SimpleLink™ Ultra-Low-Power Sub-1 GHz Wireless MCU](#) , data sheet

Texas Instruments, [CC1350 SimpleLink™ Ultra-Low-Power Dual-Band Wireless MCU](#), data sheet

Texas Instruments, [CC1310 LaunchPad](#), product page

Texas Instruments, [CC1350 LaunchPad](#), product page

Texas Instruments, [CC1350-4 LaunchPad](#), product page

Texas Instruments, [Sharp® Memory LCD BoosterPack](#), product page

7.1 商標

LaunchPad, BoosterPack, E2E, SimpleLink, SmartRF are trademarks of Texas Instruments.
 Arm, Cortex are registered trademarks of Arm Limited.
 Windows is a registered trademark of Microsoft Corporation.
 Wi-Fi is a registered trademark of Wi-Fi Alliance.

ZigBee is a trademark of ZigBee Alliance.

すべての商標および登録商標はそれぞれの所有者に帰属します。

8 About the Authors

RUBEN D. PEREZ is an applications engineer and Senior Member of Technical Staff at Texas Instruments. Ruben specializes in embedded systems design with microcontrollers, applications processors, and RF transceiver ICs. Ruben earned his bachelor of science in electrical engineering (BSEE) degree from the University of Florida and a master of electrical engineering (MEE) degree from Rice University.

MARK SWANSON is a field applications engineer at Texas Instruments. Mark specializes in embedded systems design with connected and wireless microcontrollers within industrial and medical applications. Mark earned his Bachelor of Science in Computer Engineering (BSCPE) degree from Rose-Hulman Institute of Technology and a Master of Science in Computer Engineering (MSCPE) degree from Florida Atlantic University.

TIの設計情報およびリソースに関する重要な注意事項

Texas Instruments Incorporated ("TI")の技術、アプリケーションその他設計に関する助言、サービスまたは情報は、TI製品を組み込んだアプリケーションを開発する設計者に役立つことを目的として提供するものです。これにはリファレンス設計や、評価モジュールに関係する資料が含まれますが、これらに限られません。以下、これらを総称して「TIリソース」と呼びます。いかなる方法であっても、TIリソースのいずれかをダウンロード、アクセス、または使用した場合、お客様(個人、または会社を代表している場合にはお客様の会社)は、これらのリソースをここに記載された目的にのみ使用し、この注意事項の条項に従うことに合意したものとします。

TIによるTIリソースの提供は、TI製品に対する該当の発行済み保証事項または免責事項を拡張またはいかなる形でも変更するものではなく、これらのTIリソースを提供することによって、TIにはいかなる追加義務も責任も発生しないものとします。TIは、自社のTIリソースに訂正、拡張、改良、およびその他の変更を加える権利を留保します。

お客様は、自らのアプリケーションの設計において、ご自身が独自に分析、評価、判断を行う責任がお客様にあり、お客様のアプリケーション(および、お客様のアプリケーションに使用されるすべてのTI製品)の安全性、および該当するすべての規制、法、その他適用される要件への遵守を保証するすべての責任をお客様のみが負うことを理解し、合意するものとします。お客様は、自身のアプリケーションに関して、(1) 故障による危険な結果を予測し、(2) 障害とその結果を監視し、および、(3) 損害を引き起こす障害の可能性を減らし、適切な対策を行う目的での、安全策を開発し実装するために必要な、すべての技術を保持していることを表明するものとします。お客様は、TI製品を含むアプリケーションを使用または配布する前に、それらのアプリケーション、およびアプリケーションに使用されているTI製品の機能性を完全にテストすることに合意するものとします。TIは、特定のTIリソース用に発行されたドキュメントで明示的に記載されているもの以外のテストを実行していません。

お客様は、個別のTIリソースにつき、当該TIリソースに記載されているTI製品を含むアプリケーションの開発に関連する目的でのみ、使用、コピー、変更することが許可されています。明示的または黙示的を問わず、禁反言の法理その他どのような理由でも、他のTIの知的所有権に対するその他のライセンスは付与されません。また、TIまたは他のいかなる第三者のテクノロジーまたは知的所有権についても、いかなるライセンスも付与されるものではありません。付与されないものには、TI製品またはサービスが使用される組み合わせ、機械、プロセスに関連する特許権、著作権、回路配置利用権、その他の知的所有権が含まれますが、これらに限られません。第三者の製品やサービスに関する、またはそれらを参照する情報は、そのような製品またはサービスを利用するライセンスを構成するものではなく、それらに対する保証または推奨を意味するものでもありません。TIリソースを使用するため、第三者の特許または他の知的所有権に基づく第三者からのライセンス、もしくは、TIの特許または他の知的所有権に基づくTIからのライセンスが必要な場合があります。

TIのリソースは、それに含まれるあらゆる欠陥も含めて、「現状のまま」提供されます。TIは、TIリソースまたはその仕様に関して、明示的か暗黙的にかかわらず、他のいかなる保証または表明も行いません。これには、正確性または完全性、権原、続発性の障害に関する保証、および商品性、特定目的への適合性、第三者の知的所有権の非侵害に対する黙示的保証が含まれますが、これらに限られません。

TIは、いかなる苦情に対しても、お客様への弁済または補償を行う義務はなく、行わないものとします。これには、任意の製品の組み合わせに関連する、またはそれらに基づく侵害の請求も含まれますが、これらに限られず、またその事実についてTIリソースまたは他の場所に記載されているか否かを問わないものとします。いかなる場合も、TIリソースまたはその使用に関連して、またはそれらにより発生した、実際の、直接的、特別、付随的、間接的、懲罰的、偶発的、または、結果的な損害について、そのような損害の可能性についてTIが知らされていたかどうかにかかわらず、TIは責任を負わないものとします。

お客様は、この注意事項の条件および条項に従わなかったために発生した、いかなる損害、コスト、損失、責任からも、TIおよびその代表者を完全に免責するものとします。

この注意事項はTIリソースに適用されます。特定の種類の資料、TI製品、およびサービスの使用および購入については、追加条項が適用されます。これには、半導体製品(<http://www.ti.com/sc/docs/stdterms.htm>)、評価モジュール、およびサンプル(<http://www.ti.com/sc/docs/sampterms.htm>)についてのTIの標準条項が含まれますが、これらに限られません。