

TI Designs: TIDA-01553

2.5Vコールド・クランク・プロファイルをサポートする車載用オフ・バッテリーVCMのリファレンス・デザイン



概要

このリファレンス・デザインは、大電流で入力電圧範囲の広い回路により、最低2.5Vでエンジンのコールド・クランク・プロファイル进行处理できます。デュアル出力電圧は5Vと3.3Vで、それぞれの出力は最大10Aをサポートできます。このデザインは、最低2.5Vで非常に厳格な開始プロファイルをサポートする必要のある、車載用オフ・バッテリーのインフォテインメント・アプリケーションに適しています。

リソース

TIDA-01553	デザイン・フォルダ
LM74700-Q1	プロダクト・フォルダ
LM25122-Q1	プロダクト・フォルダ
LM5140-Q1	プロダクト・フォルダ

特長

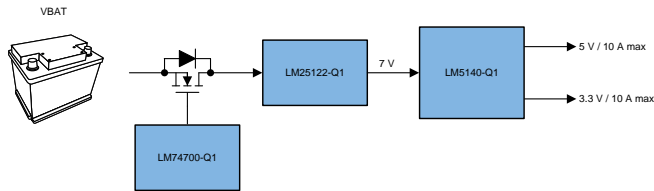
- 広い入力電圧範囲: 2.5V~40V
- デュアル大電流同期出力
 - 5V、最大10A
 - 3.3V、最大10A
- 最低2.5Vのエンジン・クランク過渡時に連続動作
- ゼロ I_Q のスマート・ダイオード・コントローラによるバッテリー逆極性保護
- AMラジオ帯域の干渉を最小化

アプリケーション

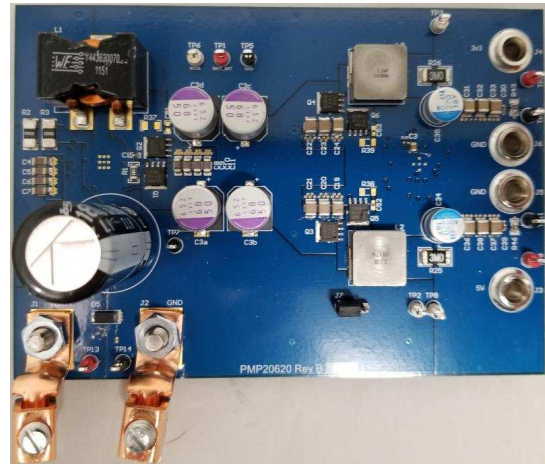
- 車載用ヘッド・ユニット
- アフターマーケット・ヘッド・ユニット



[E2E™エキスパートに質問](#)



Copyright © 2018, Texas Instruments Incorporated



使用許可、知的財産、その他免責事項は、最終ページにあるIMPORTANT NOTICE(重要な注意事項)をご参照くださいますようお願いいたします。英語版のTI製品についての情報を翻訳したこの資料は、製品の概要を確認する目的で便宜的に提供しているものです。該当する正式な英語版の最新情報は、www.ti.comで閲覧でき、その内容が常に優先されます。TIでは翻訳の正確性および妥当性につきましては一切保証いたしません。実際の設計などの前には、必ず最新版の英語版をご参照くださいますようお願いいたします。

1 System Description

Typical automotive infotainment end equipment are powered by the battery system of the vehicle. During an engine crank event, the supply voltage can drop to a very low level for a short period of time. This reference design implements a circuit that can handle this transient condition down to 2.5 V while keeping the two high-current outputs in regulation. This circuit is especially important for vehicles with the stop-start feature where the equipment are most likely operating and must not be interrupted by the transient condition. This reference design is a good fit for automotive head units, aftermarket head units, and voltage conditioning module (VCM) applications.

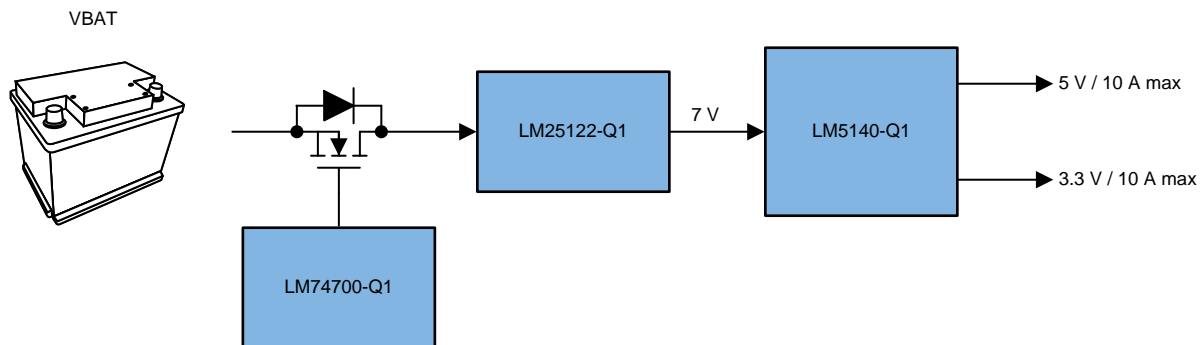
1.1 Key System Specifications

表 1. Key System Specifications

PARAMETER	SPECIFICATIONS	DETAILS
Input voltage range	2.5-V to 40-V DC	2.4.1
Boost output voltage	7 V	2.4.2
Boost supply switching frequency	480 kHz	2.4.2
Buck output 1 voltage	5 V \pm 1%	2.4.3
Buck output 1 current	Up to 10 A	2.4.3
Buck output 2 voltage	3.3 V \pm 1%	2.4.3
Buck output 2 current	Up to 10 A	2.4.3
Buck supply switching frequency	440 kHz	2.4.3

2 System Overview

2.1 Block Diagram



Copyright © 2018, Texas Instruments Incorporated

図 1. Block Diagram of TIDA-01553

2.2 Design Considerations

Applications for off-battery, infotainment end equipment have the following design considerations:

- Wide input voltage range
- Reverse battery condition
- Low loss and high efficiency
- AM radio band electromagnetic interference (EMI)

The devices in this reference design have a wide supply input range that can accommodate the transient conditions in an off-battery application. One such transient is the engine starting profile that is specified in ISO 16750-2 and other standards. This reference design can function down to as low as 2.5 V under the crank profile.

Power supply devices need protection from reverse battery conditions caused by an incorrect installation or jump-start connection. A low-loss and high efficient solution is important especially in high-current applications.

Radio band EMI (especially in the AM band) must be minimized in infotainment end equipment. To help to achieve this objective, use power supplies that have switching frequencies that are outside of the AM band as well as the capability for out-of-phase operation.

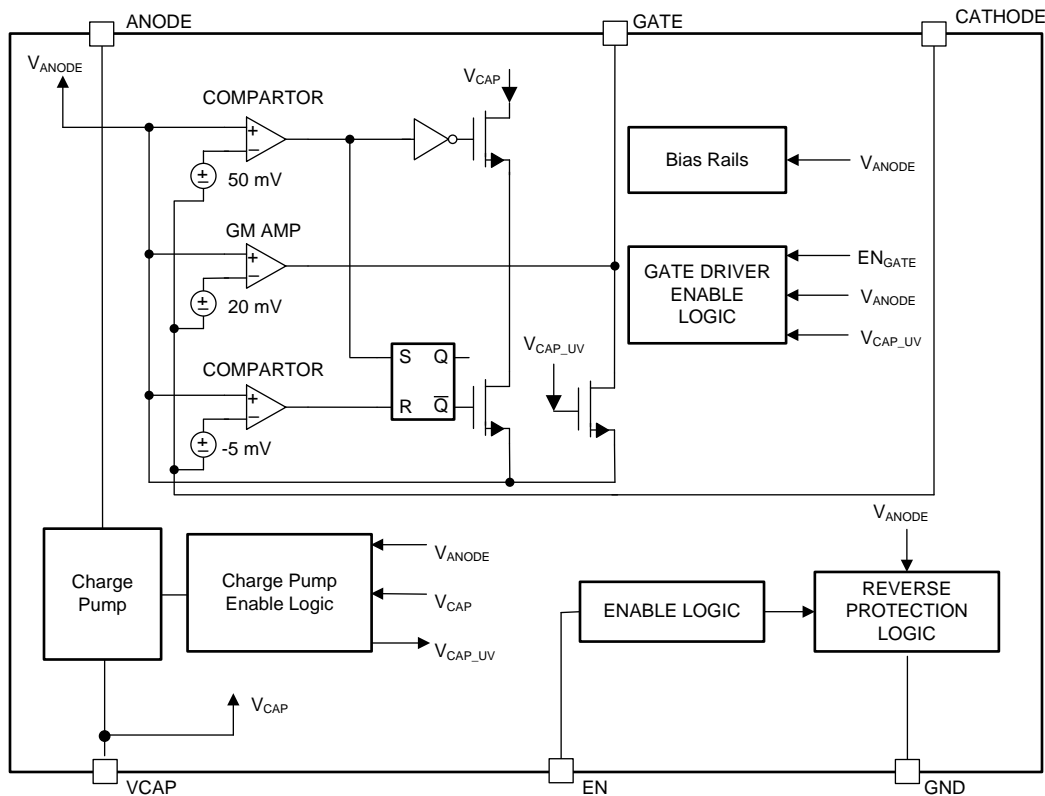
2.3 Highlighted Products

2.3.1 LM74700-Q1

The LM74700-Q1 is a smart diode controller that operates in conjunction with an external N-channel MOSFET as an ideal diode rectifier for low-loss reverse polarity protection. The wide supply input range of 3 V to 65 V allows control of many popular DC bus voltages. The device can withstand and protect the loads from negative supply voltages down to -65 V. With an external N-channel MOSFET with low $R_{DS(ON)}$, a very low forward voltage drop can be achieved while minimizing the amount of power dissipated in the MOSFET.

For low load currents, the forward voltage is regulated to 20 mV to enable graceful shutdown of the MOSFET. External MOSFETs with 5 V or lower threshold voltage are recommended. With the enable pin low, the controller is off and draws approximately 3 μ A of current.

The LM74700-Q1 controller provides a charge pump gate drive for an external N-channel MOSFET. The high voltage rating of LM74700-Q1 helps to simplify the system designs for automotive ISO 7637 protection. Fast response to reverse current blocking makes the device suitable for systems with output voltage holdup requirements during ISO 7637 pulse testing as well as power fail and brownout conditions. The LM74700-Q1 is also suitable for ORing applications or AC rectification.



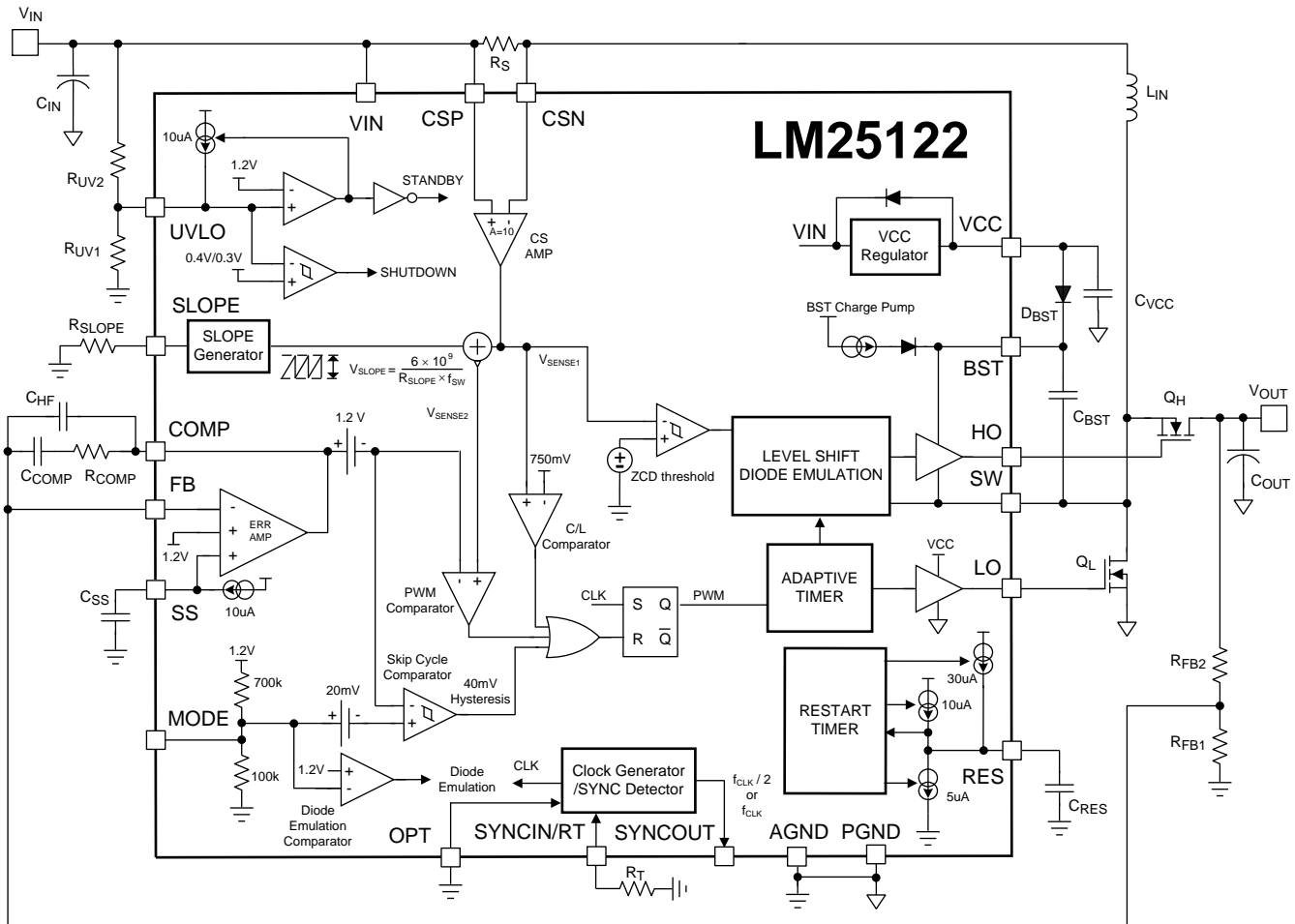
Copyright © 2017, Texas Instruments Incorporated

図 2. Functional Block Diagram of LM74700-Q1

2.3.2 LM25122-Q1

The LM25122-Q1 is a multi-phase capable synchronous boost controller intended for synchronous boost regulator applications with high efficiency. The control method is based upon peak current mode control. Current mode control provides inherent line feedforward, cycle-by-cycle current limiting, and easier loop compensation.

The switching frequency is programmable up to 600 kHz. Higher efficiency is achieved by two robust N-channel MOSFET gate drivers with adaptive dead-time control. A user-selectable diode emulation mode also enables discontinuous mode operation for improved efficiency at light load conditions.



Copyright © 2016, Texas Instruments Incorporated

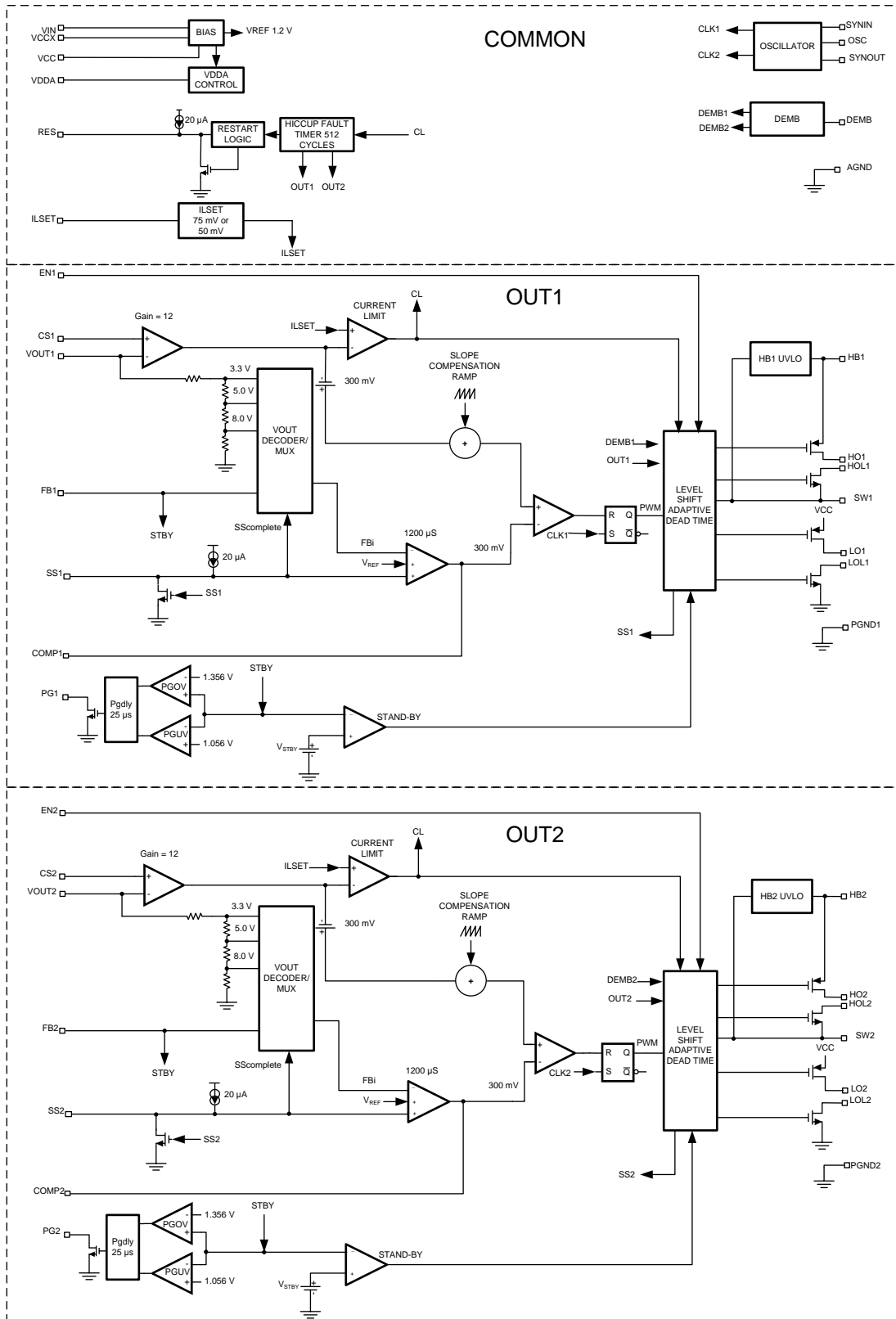
図 3. Functional Block Diagram of LM25122-Q1

2.3.3 LM5140-Q1

The LM5140-Q1 is a dual synchronous buck controller intended for high-voltage, wide VIN, step-down converter applications. The control method is based on current mode control. Current mode control provides inherent line feedforward, cycle-by-cycle current limiting, and easier loop compensation.

The LM5140-Q1 features adjustable slew rate control to simplify compliance with the CISPR and automotive EMI requirements. The LM5140-Q1 operates at selectable switching frequencies of 2.2 MHz or 440 kHz with the two controller channels switching 180° out of phase. In light or no-load conditions, the LM5140-Q1 operates in skip cycle mode for improved low power efficiency. The LM5140-Q1 includes a high-voltage bias regulator with automatic switch-over to an external bias supply to improve efficiency and reduce input current.

Additional features include frequency synchronization, cycle-by-cycle current limit, hiccup mode fault protection for sustained overloads, independent power good outputs, and independent enable inputs.



4. Functional Block Diagram of LM5140-Q1

2.4 System Design Theory

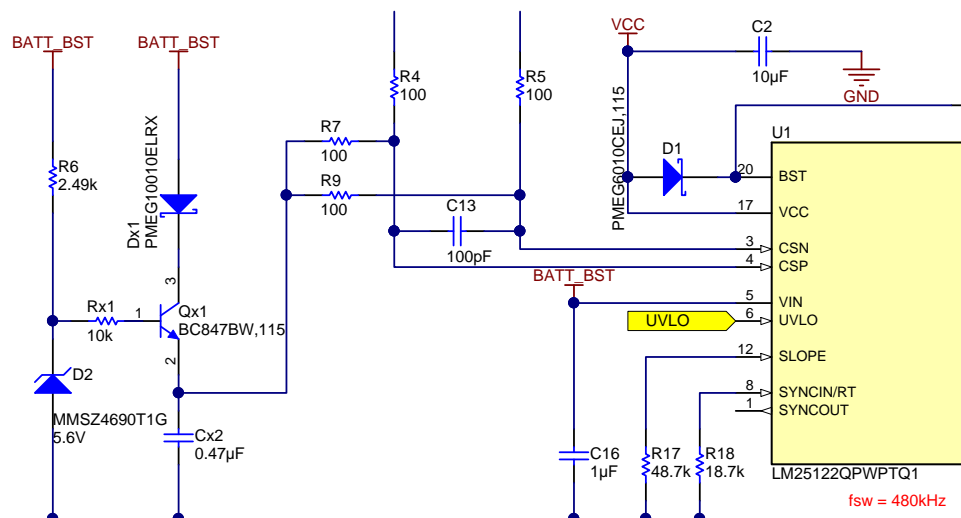
2.4.1 Input Filtering and Protection

An input filter in this design reduces conducted noise emission. To protect the power supply circuits from source transient events, a TVS diode (D5) is used to clamp the input voltage to 36 V. The LM74700-Q1 smart diode controller protects the circuit from reverse battery condition. The very low $R_{DS(ON)}$ of the N-channel MOSFET helps reduce power loss, especially during high-current operation.

The dual-footprint of U3 and U4 allows one to evaluate the LM74610-Q1 as well by removing U3, R36, and C48 and installing U4 and C55.

2.4.2 Boost Voltage Supply (LM25122-Q1)

To accommodate the low input voltage during engine start, the LM25122-Q1 provides a minimum 7-V output for the downstream buck supplies. The minimum recommended operating supply input voltage of the LM25122-Q1 is 4.5 V, but the voltage can be 3.0 V after start-up. To support a 2.5-V transient input, the circuit shown in [Figure 5](#) keeps the common-mode voltage of the current sense pins (CSP and CSN) above 3 V.



Copyright © 2018, Texas Instruments Incorporated

Figure 5. Circuit to Enable Support for 2.5-V Operation for LM25122-Q1

The network of R6, D2, Rx1, Qx1, and Cx2 forms a circuit that clamps the voltage at the node above Cx2 at 5.6 V (Zener voltage) minus the base to emitter voltage of Qx1. Approximately 5 V is present at this node above Cx2. This voltage is applied at the CSN and CSP pins by means of R7 and R9. The offset voltage at the CSN and CSP nodes increases the common-mode range by providing a fixed offset above the 3-V minimum, so the boost circuit can now operate with a 2.5-V input.

The minimum output boost voltage is set to 7 V with feedback resistors (R8, R10, and R12):

$$V_{OUT} (\text{BATT_BST}) = \left(\frac{(49.9 + 40.2 \text{ k})}{8.25 \text{ k}} \right) + 1 \times 1.2 = 7.05 \text{ V} \quad (1)$$

Resistor R8 facilitates measurement of loop transfer function of the power supply. For more information, see [AN-1889 How to Measure the Loop Transfer Function of Power Supplies](#).

When the input voltage is equal to or greater than the set output voltage (7 V), the LM25122-Q1 is in 100% duty cycle operation for the high-side synchronous switch (bypass operation), so the output voltage will be equal to the input voltage.

To avoid the AM radio band, switching frequency is set to 481 kHz with resistor R_T (R18):

$$f_{sw} = \frac{9 \times 10^9}{R_T} = \frac{9 \times 10^9}{18.7} = 481 \text{ kHz} \quad (2)$$

To stay with a more common package size of 2512 that has better availability, two 2-m Ω , 2-W current sense resistors in parallel are used to spread heat dissipation across the parts.

For more details on the boost supply design, see [LM25122-Q1 Wide-Input Synchronous Boost Controller With Multiple Phase Capability](#).

2.4.3 Buck Voltage Supply (LM5140-Q1)

The LM5140-Q1 generates 5-V and 3.3-V output rails from the boost voltage output of the LM25122-Q1. Pin 3 (FB2) is connected to VDDA for the 5-V output, and pin 28 (FB1) is connected to VDDA for the 3.3-V output. The two outputs switch 180° out of phase to each other to help reduce EMI.

To avoid the AM radio band, switching frequency is set to 440 kHz by grounding pin 37 (OSC) through a 0- Ω resistor (R53).

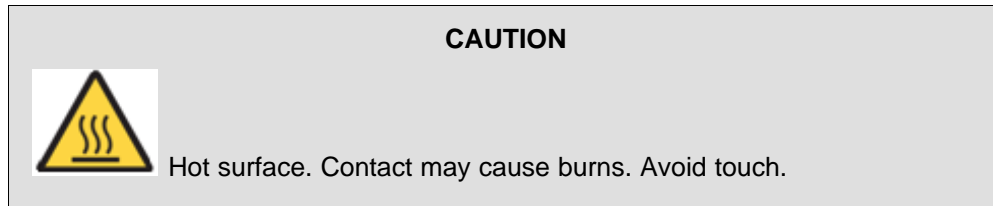
3 Hardware, Software, Testing Requirements, and Test Results

3.1 Required Hardware

- Agilent 1000-W power supply or other comparable power supply
- [AutoCrankSim-EVM \(PMP7233\)](#): Simulator for automotive cranking pulses evaluation module board

3.2 Testing and Results

3.2.1 Test Setup



3.2.1.1 Engine Crank Profile Test

The AutoCrankSim-EVM simulator verifies the functionality of the reference design during an engine cold crank condition. The simulator is pre-programmed with three different test pulses:

1. DaimlerChrysler Engine-Cranking Test Pulse, DC-10615
2. Volkswagen Warm-Start Test Pulse, VW 80000
3. Volkswagen Cold-Start Test Pulse, VW 80000

This reference design uses the third program, Volkswagen Cold-Start Test Pulse, VW 80000, as the test profile (see [Figure 6](#)).

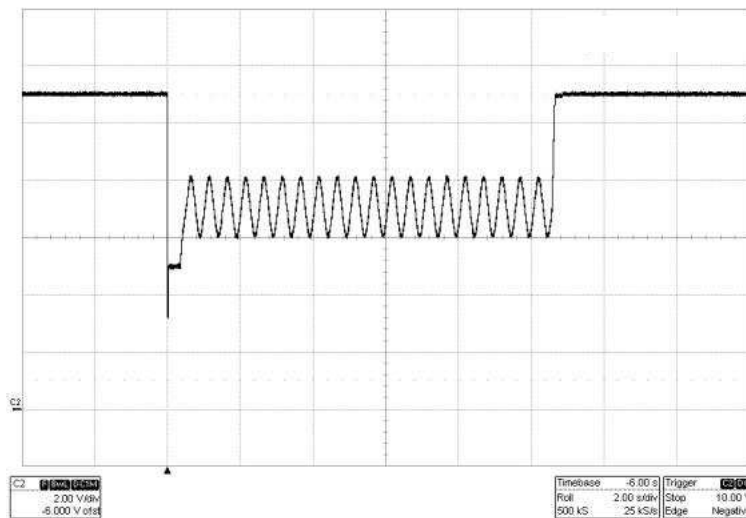


Figure 6. Program 3, 2 s/div—Volkswagen Cold-Start Test Pulse, VW 80000

To test the reference design, modify the simulator in the following ways:

1. Increase the output power limit.
2. Adjust the minimum voltage drop to 2.5 V.

The AutoCrankSim-EVM simulator is set to provide up to 50 W of output power. To test this reference design with a higher power requirement, change the current limit resistor (R34) of the simulator to 80 kΩ.

To lower the minimum voltage of the test pulse voltage drop to 2.5 V, the following section is modified in the void generate_pulse_program_3(void) function in the pulse.c file.

Original version:

```
// Decrease the voltage from 11.0 (176) to 3.2 V (25) within 750us
while (vid_out > 25)
{
    vid_out--;
    VID_POUT = vid_out;
    delay_us(5);
}
```

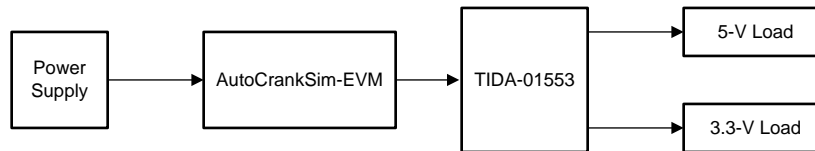
Modified version:

```
// Decrease the voltage from 11.0 (176) to 2.5 V (11) within 750us
while (vid_out > 11)
{
    vid_out--;
    VID_POUT = vid_out;
    delay_us(5);
}
```

For more details, see the VID Interface section of the [Automotive Cranking Simulator User's Guide](#).

To perform the crank profile test:

1. Connect the power supply to input connectors J1 (Power Input) and J4 (GND) on the AutoCrankSim-EVM.
2. Connect the test pulse output from connectors J3 (Power Output) and J2 (GND) on the AutoCrankSim-EVM to input connectors J1 (V_BATT) and J2 (GND) on the reference design, respectively.
3. Connect the 5-V output load to output connectors J3 (5V) and J5 (GND).
4. Connect the 3.3-V output load to output connectors J4 (3V3_STBY) and J6 (GND).
5. Connect a shunt between pins 1 (BATT_BST) and 2 (EN) of J7 to enable the buck controller, or attach an external enable signal to pin 2 (EN) of J7 with the signal ground to pin 3 (GND) of J7.



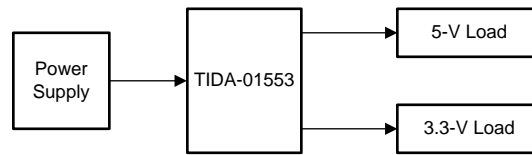
Copyright © 2018, Texas Instruments Incorporated

図 7. Block Diagram of Test Setup for Engine Crank Profile Test

3.2.1.2 Normal Operation Test

To perform a normal operation test:

1. Connect the power supply to input connectors J1 (V_BATT) and J2 (GND) on the reference design.
2. Connect the 5-V output load to output connectors J3 (5V) and J5 (GND).
3. Connect the 3.3-V output load to output connectors J4 (3V3_STBY) and J6 (GND).
4. Connect a shunt between pins 1 (BATT_BST) and 2 (EN) of J7 to enable the buck controller, or attach an external enable signal to pin 2 (EN) of J7 with the signal ground to pin 3 (GND) of J7.



Copyright © 2018, Texas Instruments Incorporated

図 8. Block Diagram of Test Setup for Normal Operation Test

3.2.2 Test Results

3.2.2.1 Output Waveforms During Crank Test Pulse

The following figures show the waveforms during the engine cold crank test for the 5-V output. 図 9 captures the time period from the start of the pulse through most of the t8 stage as specified in the VW 80000: 2013-06 standard. 図 10 shows the zoomed-in voltage drop portion (t4 stage) at the start of the crank for the 5-V output, and 図 11 shows the similar time period for the 3.3-V output.

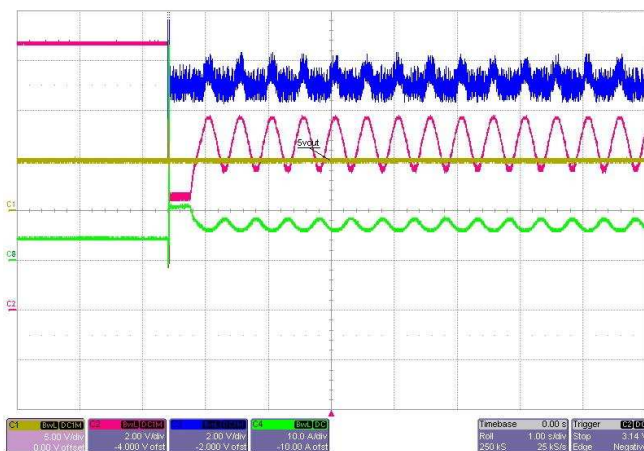


図 9. 5-V Output During Crank Test Pulse

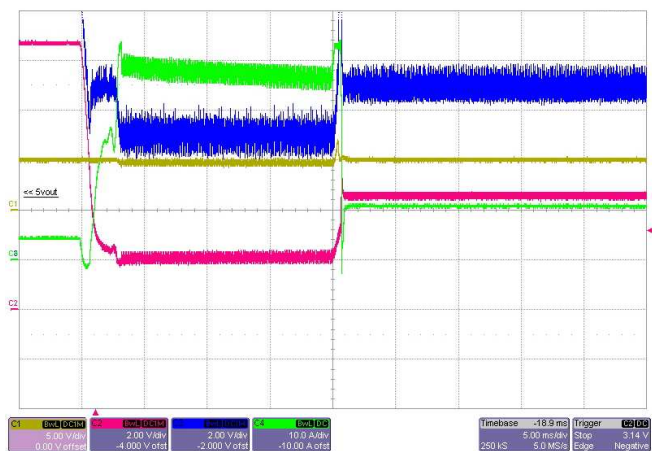


図 10. 5-V Output During Crank Test Pulse (Zoomed)

- Channel 1, 5 V/div (yellow): 5-V output
- Channel 2, 2 V/div (magenta): 11-V input (test pulse)
- Channel 3, 2 V/div (blue): Pre-boost output
- Channel 4, 10 A/div (green): Input current

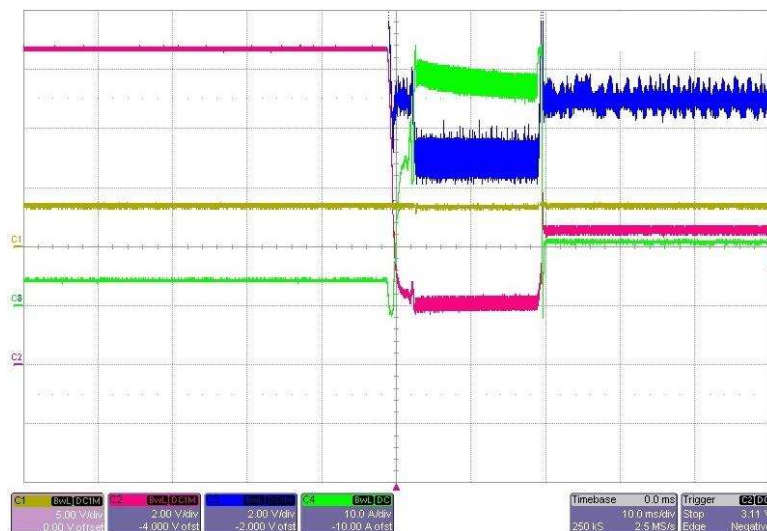


図 11. 3.3-V Output During Crank Test Pulse (Zoomed)

- Channel 1, 5 V/div (yellow): 3.3-V output
- Channel 2, 2 V/div (magenta): 11-V input (test pulse)
- Channel 3, 2 V/div (blue): Pre-boost output
- Channel 4, 10 A/div (green): Input current

3.2.2.2 Output Waveforms at Normal Operation

Figure 12 and Figure 13 show output start-up waveforms with the input voltage at 11 V and no load:

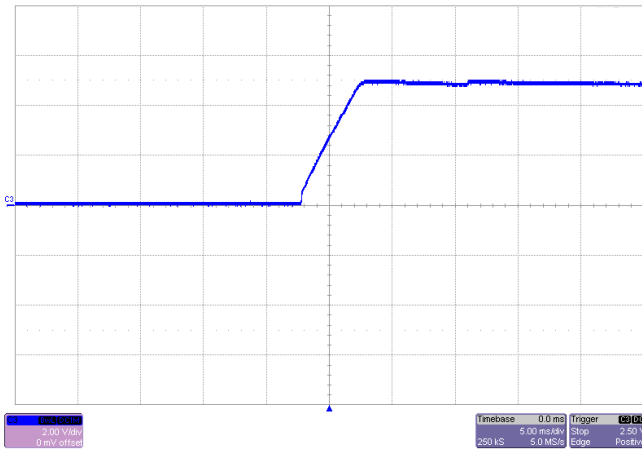


Figure 12. 5-V Output Start-Up (No Load)

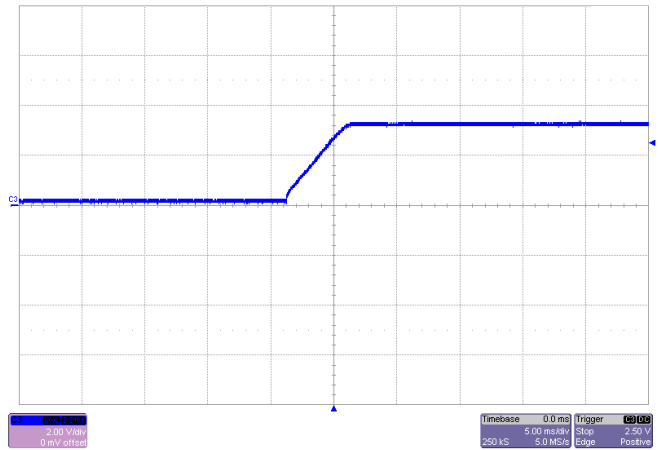


Figure 13. 3.3-V Output Start-Up (No Load)

Figure 14 through Figure 17 show ripple and switch node output waveforms with the input voltage at 11 V and a maximum output load of 10 A at each output:

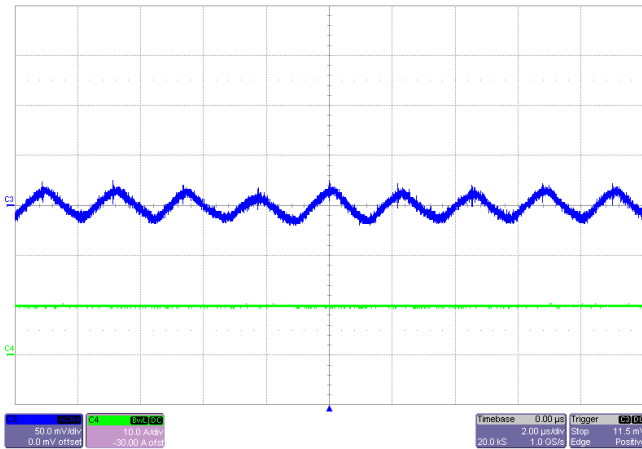


Figure 14. 5-V Output Ripple

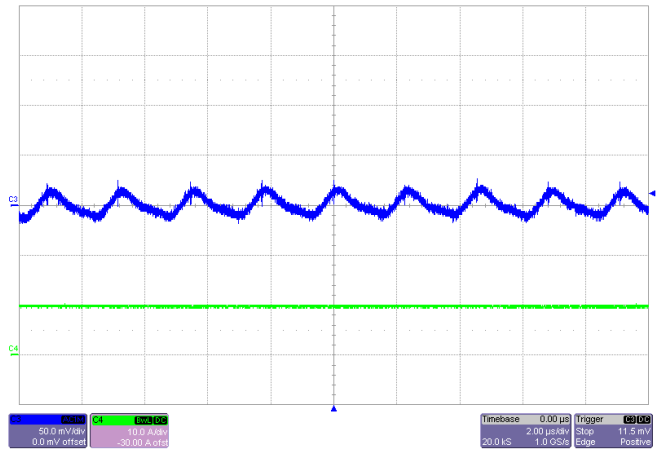


Figure 15. 3.3-V Output Ripple

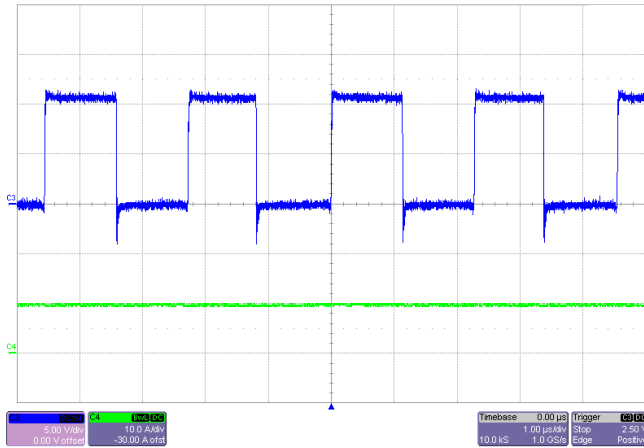


図 16. 5-V Output Switch Node

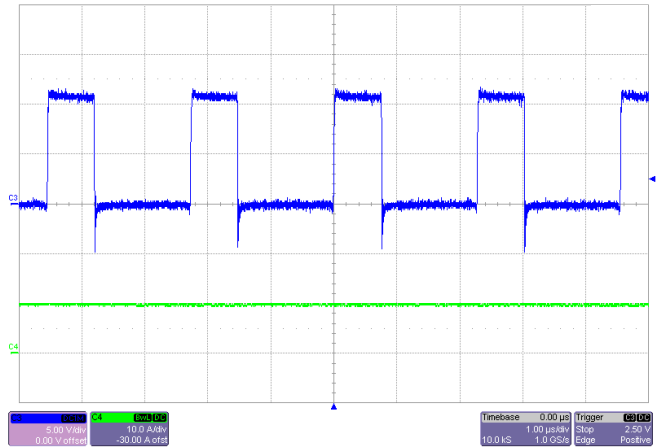


図 17. 3.3-V Output Switch Node

図 18 and 図 19 show transient load response waveforms of the outputs with a 11-V input, 25% to 75% load step:

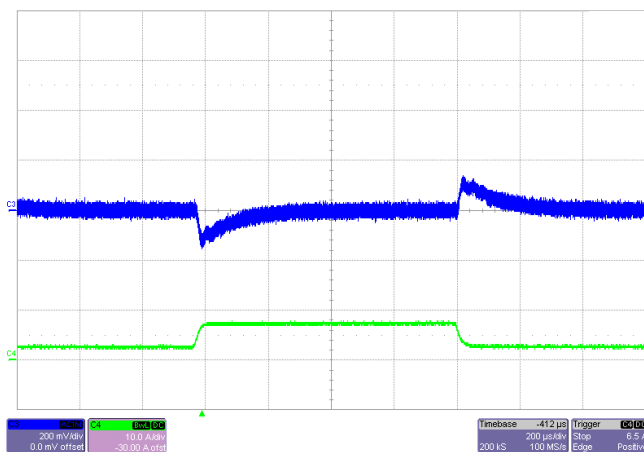


図 18. 5-V Output Load Transient Response

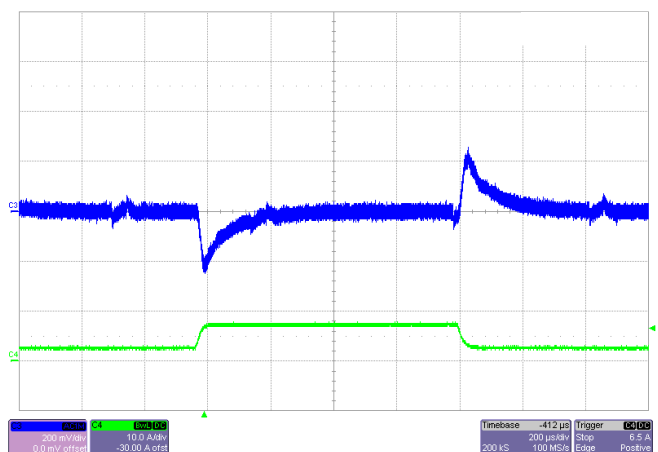


図 19. 3.3-V Output Load Transient Response

3.2.2.3 Efficiency Measurements

The efficiency of the 5-V output of this reference design is more than 90% with a 500-mA load and above:

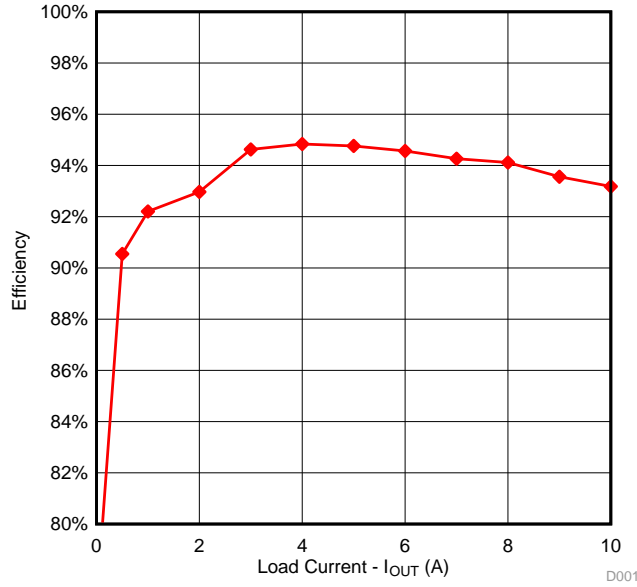


図 20. 5-V Output Efficiency

表 2. 5-V Output Efficiency Measurements

V _{IN} (V)	I _{IN} (A)	P _{IN} (W)	V _{OUT} (V)	I _{OUT} (A)	P _{OUT} (W)	P _{LOSS} (W)	EFFICIENCY
11.04	0.01	0.08	5.03	0.00	0.00	0.08	0.0%
11.04	0.06	0.63	5.01	0.10	0.50	0.13	79.6%
11.02	0.25	2.77	5.01	0.50	2.50	0.26	90.5%
11.00	0.49	5.43	5.01	1.00	5.01	0.42	92.2%
10.95	0.98	10.78	5.01	2.00	10.02	0.76	93.0%
10.91	1.46	15.88	5.01	3.00	15.03	0.85	94.6%
10.86	1.95	21.12	5.01	4.00	20.03	1.09	94.8%
10.82	2.44	26.42	5.01	5.00	25.04	1.38	94.8%
10.77	2.95	31.77	5.01	6.00	30.05	1.73	94.6%
10.73	3.47	37.18	5.01	7.00	35.05	2.13	94.3%
10.69	3.98	42.56	5.01	8.00	40.05	2.50	94.1%
10.65	4.52	48.16	5.01	9.00	45.06	3.10	93.6%
10.61	5.06	53.71	5.01	10.00	50.05	3.66	93.2%

The efficiency of the 3.3-V output of this reference design is more than 90% with a 2-A load and above:

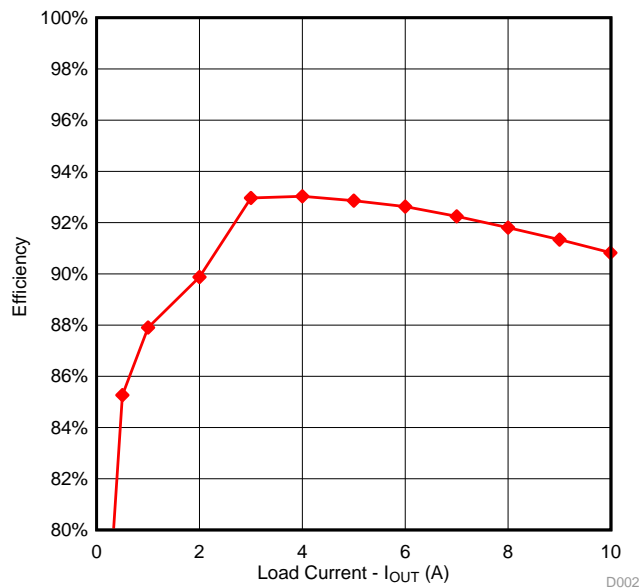


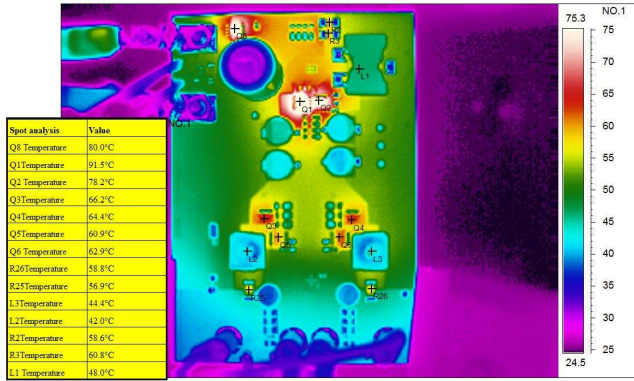
図 21. 3.3-V Output Efficiency

表 3. 3.3-V Output Efficiency Measurements

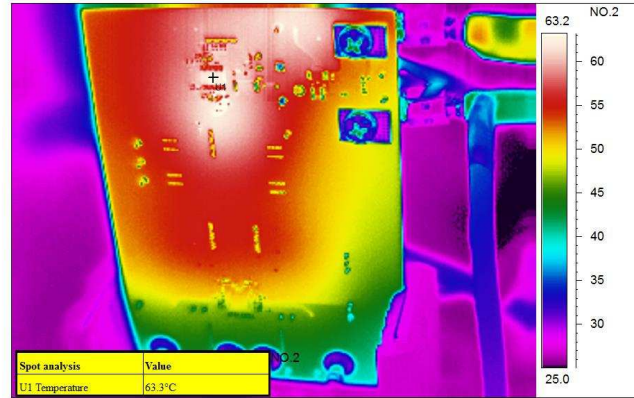
V _{IN} (V)	I _{IN} (A)	P _{IN} (W)	V _{OUT} (V)	I _{OUT} (A)	P _{OUT} (W)	P _{LOSS} (W)	EFFICIENCY
11.04	0.01	0.08	3.32	0.00	0.00	0.08	0.0%
11.04	0.04	0.45	3.31	0.10	0.33	0.12	73.1%
11.03	0.18	1.94	3.31	0.50	1.65	0.29	85.3%
11.01	0.34	3.76	3.31	1.00	3.31	0.46	87.9%
10.97	0.67	7.36	3.31	2.00	6.62	0.75	89.9%
10.94	0.98	10.68	3.31	3.00	9.92	0.75	93.0%
10.91	1.30	14.22	3.31	4.00	13.23	0.99	93.0%
10.87	1.64	17.81	3.31	5.00	16.54	1.27	92.9%
10.83	1.98	21.42	3.31	6.00	19.84	1.58	92.6%
10.79	2.33	25.10	3.31	7.00	23.15	1.95	92.2%
10.76	2.68	28.82	3.31	8.00	26.46	2.36	91.8%
10.73	3.04	32.58	3.31	9.00	29.75	2.82	91.3%
10.70	3.40	36.40	3.31	10.00	33.06	3.34	90.8%

3.2.2.4 Thermal Measurements

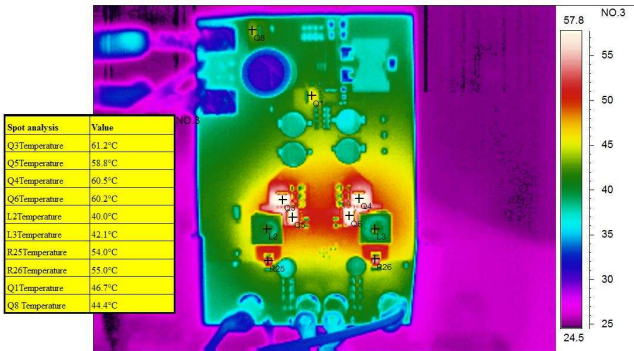
The temperature of the components are measured at the ambient temperature of 25°C without airflow. Three steady state input voltages are used—6 V, 11 V, and 14 V—with a maximum load of 10 A at each output. The following figures are captured after 15 minutes of soak time.



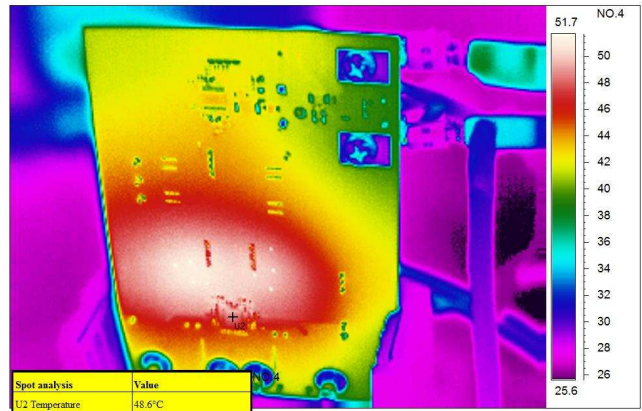
☒ 22. Thermal Measurements at 6-V Input (Front)



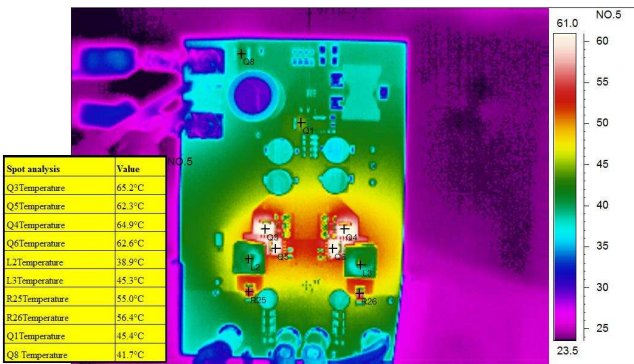
☒ 23. Thermal Measurement at 6-V Input (Back)



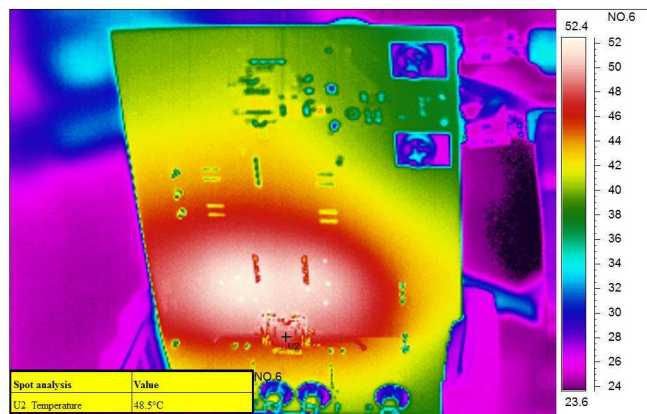
☒ 24. Thermal Measurements at 11-V Input (Front)



☒ 25. Thermal Measurement at 11-V Input (Back)



☒ 26. Thermal Measurements at 14-V Input (Front)



☒ 27. Thermal Measurement at 14-V Input (Back)

4 Design Files

4.1 Schematics

To download the schematics, see the design files at [TIDA-01553](#).

4.2 Bill of Materials

To download the bill of materials (BOM), see the design files at [TIDA-01553](#).

4.3 PCB Layout Recommendations

General rules to reduce power supply noise:

- Minimize the output loop for the boost power supply.
- Minimize the input loop for the buck power supply.

4.3.1 Layout Prints

To download the layer plots, see the design files at [TIDA-01553](#).

4.4 Altium Project Files

To download the Altium project files, see the design files at [TIDA-01553](#).

4.5 Gerber Files

To download the Gerber files, see the design files at [TIDA-01553](#).

4.6 Assembly Drawings

To download the assembly drawings, see the design files at [TIDA-01553](#).

5 Related Documentation

1. Texas Instruments, [HVL068A Automotive Cranking Simulator User's Guide](#)
2. Texas Instruments, [AN-1889 How to Measure the Loop Transfer Function of Power Supplies Application Report](#)
3. ISO 16750-2, Fourth edition, 2012-11-01, [Road vehicles — Environmental conditions and testing for electrical and electronic equipment — Part 2: Electrical loads](#)
4. VW 80000: 2013-06, [Electric and Electronic Components in Motor Vehicles up to 3.5 t - General Component Requirements, Test Conditions and Tests](#)

5.1 商標

E2E is a trademark of Texas Instruments.

すべての商標および登録商標はそれぞれの所有者に帰属します。

TIの設計情報およびリソースに関する重要な注意事項

Texas Instruments Incorporated ("TI")の技術、アプリケーションその他設計に関する助言、サービスまたは情報は、TI製品を組み込んだアプリケーションを開発する設計者に役立つことを目的として提供するものです。これにはリファレンス設計や、評価モジュールに関係する資料が含まれますが、これらに限られません。以下、これらを総称して「TIリソース」と呼びます。いかなる方法であっても、TIリソースのいずれかをダウンロード、アクセス、または使用した場合、お客様(個人、または会社を代表している場合にはお客様の会社)は、これらのリソースをここに記載された目的にのみ使用し、この注意事項の条項に従うことに合意したものとします。

TIによるTIリソースの提供は、TI製品に対する該当の発行済み保証事項または免責事項を拡張またはいかなる形でも変更するものではなく、これらのTIリソースを提供することによって、TIにはいかなる追加義務も責任も発生しないものとします。TIは、自社のTIリソースに訂正、拡張、改良、およびその他の変更を加える権利を留保します。

お客様は、自らのアプリケーションの設計において、ご自身が独自に分析、評価、判断を行う責任がお客様にあり、お客様のアプリケーション(および、お客様のアプリケーションに使用されるすべてのTI製品)の安全性、および該当するすべての規制、法、その他適用される要件への遵守を保証するすべての責任をお客様のみが負うことを理解し、合意するものとします。お客様は、自身のアプリケーションに関して、(1) 故障による危険な結果を予測し、(2) 障害とその結果を監視し、および、(3) 損害を引き起こす障害の可能性を減らし、適切な対策を行う目的での、安全策を開発し実装するために必要な、すべての技術を保持していることを表明するものとします。お客様は、TI製品を含むアプリケーションを使用または配布する前に、それらのアプリケーション、およびアプリケーションに使用されているTI製品の機能性を完全にテストすることに合意するものとします。TIは、特定のTIリソース用に発行されたドキュメントで明示的に記載されているもの以外のテストを実行していません。

お客様は、個別のTIリソースにつき、当該TIリソースに記載されているTI製品を含むアプリケーションの開発に関連する目的でのみ、使用、コピー、変更することが許可されています。明示的または黙示的を問わず、禁反言の法理その他どのような理由でも、他のTIの知的所有権に対するその他のライセンスは付与されません。また、TIまたは他のいかなる第三者のテクノロジーまたは知的所有権についても、いかなるライセンスも付与されるものではありません。付与されないものには、TI製品またはサービスが使用される組み合わせ、機械、プロセスに関連する特許権、著作権、回路配置利用権、その他の知的所有権が含まれますが、これらに限られません。第三者の製品やサービスに関する、またはそれらを参照する情報は、そのような製品またはサービスを利用するライセンスを構成するものではなく、それらに対する保証または推奨を意味するものでもありません。TIリソースを使用するため、第三者の特許または他の知的所有権に基づく第三者からのライセンス、もしくは、TIの特許または他の知的所有権に基づくTIからのライセンスが必要な場合があります。

TIのリソースは、それに含まれるあらゆる欠陥も含めて、「現状のまま」提供されます。TIは、TIリソースまたはその仕様に関して、明示的か暗黙的にかかわらず、他のいかなる保証または表明も行いません。これには、正確性または完全性、権原、続発性の障害に関する保証、および商品性、特定目的への適合性、第三者の知的所有権の非侵害に対する黙示的保証が含まれますが、これらに限られません。

TIは、いかなる苦情に対しても、お客様への弁済または補償を行う義務はなく、行わないものとします。これには、任意の製品の組み合わせに関連する、またはそれらに基づく侵害の請求も含まれますが、これらに限られず、またその事実についてTIリソースまたは他の場所に記載されているか否かを問わないものとします。いかなる場合も、TIリソースまたはその使用に関連して、またはそれらにより発生した、実際の、直接的、特別、付随的、間接的、懲罰的、偶発的、または、結果的な損害について、そのような損害の可能性についてTIが知らされていたかどうかにかかわらず、TIは責任を負わないものとします。

お客様は、この注意事項の条件および条項に従わなかったために発生した、いかなる損害、コスト、損失、責任からも、TIおよびその代表者を完全に免責するものとします。

この注意事項はTIリソースに適用されます。特定の種類の資料、TI製品、およびサービスの使用および購入については、追加条項が適用されます。これには、半導体製品(<http://www.ti.com/sc/docs/stdterms.htm>)、評価モジュール、およびサンプル(<http://www.ti.com/sc/docs/sampterms.htm>)についてのTIの標準条項が含まれますが、これらに限られません。