

# TPS7A6x-Q1 高電圧、超低 $I_{(q)}$ 、低ドロップアウト・レギュレータ

## 1 特長

- 車載アプリケーションに対応
- 以下のAEC-Q100試験ガイダンス
  - デバイス温度グレード 1
  - デバイス温度グレード 0 (TPS7A6650EDGNRQ1のみ)
  - デバイスHBM ESD分類レベルH2
  - デバイスCDM ESD分類レベルC4
- デバイス接合部温度範囲：
  - $-40^{\circ}\text{C} \sim +150^{\circ}\text{C}$
- $4\text{V} \sim 40\text{V}$  の広い  $V_{in}$  入力電圧範囲、最大  $45\text{V}$  の過渡電圧に対応
- 出力電流： $150\text{mA}$
- 低い静止電流 ( $I_{(q)}$ )
  - EN = Low のとき (シャットダウン・モード)  $2\mu\text{A}$
  - 軽負荷時の標準値  $12\mu\text{A}$
- 低ESRのセラミック出力コンデンサで安定 ( $2.2\mu\text{F} \sim 100\mu\text{F}$ )
- $150\text{mA}$ においてドロップアウト電圧 $300\text{mV}$  (標準値、 $V_{(vin)} = 4\text{V}$ )
- 固定出力電圧 ( $3.3\text{V}$  および  $5\text{V}$ ) と可変出力電圧 ( $1.5\text{V} \sim 5\text{V}$ ) (可変出力電圧は TPS7A66-Q1 のみ)
- 低入力電圧トラッキング
- パワーオン・リセット機能を搭載
  - リセット・パルス遅延をプログラム可能
  - オープン・ドレイン・リセット出力
- 保護機能を搭載
  - サーマル・シャットダウン
  - 短絡保護
- 入力電圧センス・コンパレータ (TPS7A69-Q1 のみ)
- パッケージ
  - 8ピン SOIC-D (TPS7A69-Q1)
  - 8ピン HVSSOP-DGN (TPS7A6601-Q1) ハードウェア・イネーブル・オプション

## 2 アプリケーション

- スリープ・モード搭載のインフォテインメント・システム
- 車体制御モジュール
- 常時オンのバッテリー・アプリケーション：
  - ゲートウェイ・アプリケーション
  - リモート・キーレス・エントリ・システム
  - イモビライザー

## 3 概要

TPS7A66-Q1 および TPS7A69-Q1 は、最大  $40\text{V}$  の  $V_{in}$  で動作するように設計された低ドロップアウト・リニア・レギュレータです。無負荷時の静止電流がわずか  $12\mu\text{A}$  であるため、特に車載用途におけるスタンバイ・マイクロプロセッサ制御ユニット・システムに最適です。

デバイスには、短絡および過電流保護機能が内蔵されています。電源投入時に出力電圧が安定し、レギュレートされていることを示すために、デバイスにはリセット遅延が実装されています。この遅延時間は、外付けコンデンサによりプログラム可能です。低電圧トラッキング機能により、小型の入力コンデンサを使用でき、コールド・クランク状況では多くの場合に昇圧コンバータが不要になります。

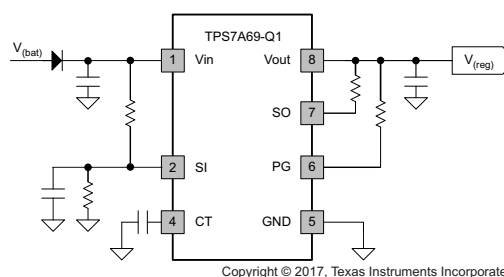
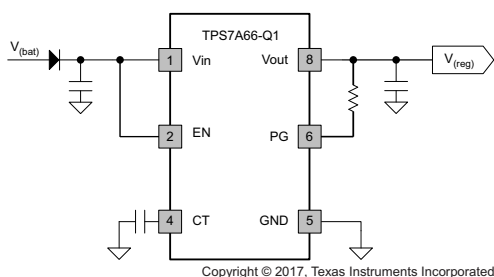
デバイスは、 $-40^{\circ}\text{C} \sim 125^{\circ}\text{C}$ の温度範囲で動作します。TPS7A6650EDGNRQ1 デバイスはAEC-Q100グレード0に認定済みで、 $-40^{\circ}\text{C} \sim 150^{\circ}\text{C}$ の温度範囲で動作します。これらの機能のため、このデバイスは各種の車載用アプリケーションの電源に最適です。

### 製品情報<sup>(1)</sup>

型番	パッケージ	本体サイズ(公称)
TPS7A66-Q1	HVSSOP (8)	3.00mmx3.00mm
TPS7A69-Q1	SOIC (8)	4.90mmx3.91mm

(1) 提供されているすべてのパッケージについては、巻末の注文情報を参照してください。

### 入力電圧センス・オプション



## 目次

1	特長	1	7.4	Device Functional Modes	17
2	アプリケーション	1	8	<b>Application and Implementation</b>	18
3	概要	1	8.1	Application Information	18
4	改訂履歴	2	8.2	Typical Applications	18
5	<b>Pin Configuration and Functions</b>	4	9	<b>Power Supply Recommendations</b>	21
6	<b>Specifications</b>	4	10	<b>Layout</b>	21
6.1	Absolute Maximum Ratings	4	10.1	Layout Guidelines	21
6.2	ESD Ratings	5	10.2	Layout Examples	21
6.3	Recommended Operating Conditions	5	10.3	Power Dissipation and Thermal Considerations	22
6.4	Thermal Information	5	11	デバイスおよびドキュメントのサポート	23
6.5	Electrical Characteristics	6	11.1	関連リンク	23
6.6	Switching Characteristics	7	11.2	ドキュメントの更新通知を受け取る方法	23
6.7	Typical Characteristics	8	11.3	コミュニティ・リソース	23
7	<b>Detailed Description</b>	11	11.4	商標	23
7.1	Overview	11	11.5	静電気放電に関する注意事項	23
7.2	Functional Block Diagrams	11	11.6	Glossary	23
7.3	Feature Description	13	12	メカニカル、パッケージ、および注文情報	23

## 4 改訂履歴

資料番号末尾の英字は改訂を表しています。その改訂履歴は英語版に準じています。

Revision E (November 2014) から Revision F に変更	Page
• 最初の 2 つの AEC-Q100 小項目の温度範囲を削除し、「特長」の AEC-Q100 試験ガイダンス項目を変更	1
• ドキュメント全体で $V_{(vin)}$ を $V_{IN}$ に、 $V_{in}$ を $VIN$ に、 $V_{(vout)}$ を $V_{OUT}$ に、 $V_{out}$ を $VOUT$ に、 $V_{(CT)}$ を $V_{CT}$ に変更	1
• 「特長」のデバイス接合部温度範囲項目 追加	1
• ドキュメント全体で関連デバイスを TPS7A66-Q1 および TPS7A69-Q1 に変更	1
• ドキュメント全体で MSOP を HVSSOP に変更	1
• Changed CT, EN, FB/DNC, PG, SO, and VOUT descriptions in <i>Pin Functions</i> table	4
• Changed pin names FB/NU to FB/DNC, Vin to VIN, and Vout to VOOUT in <i>Pin Configuration and Functions</i> section	4
• Changed SI parameter name description and added maximum specification to SI and FB, SO, PG rows in <i>Absolute Maximum Ratings</i> table	4
• Added parameter names to CT and FB, SO, PG rows in <i>Absolute Maximum Ratings</i> table	4
• Added <i>lockout</i> to <i>Undervoltage lockout detection</i> parameter name	6
• Added <i>up to</i> to $I_{kg}$ test conditions	6
• Added $V_{OUT}$ to unit of $V_{(TH-POR)}$ and $V_{(Thres)}$	6
• Added CT to $V_{(th)}$ parameter name	6
• Added header for first section of <i>Switching Characteristics</i> table	7
• Added <i>UVLO Thresholds vs Temperature</i> and <i>Enable Thresholds vs Temperature</i> figures	8
• Added <i>CT Charging Current (<math>V_{CT} = 0</math>)</i> and <i>CT Charging Threshold</i> figures	9
• Changed <i>Device Functional Modes</i> section	17

Revision D (October 2014) から Revision E に変更	Page
• Corrected voltage unit in Handling Ratings table from V to kV	5

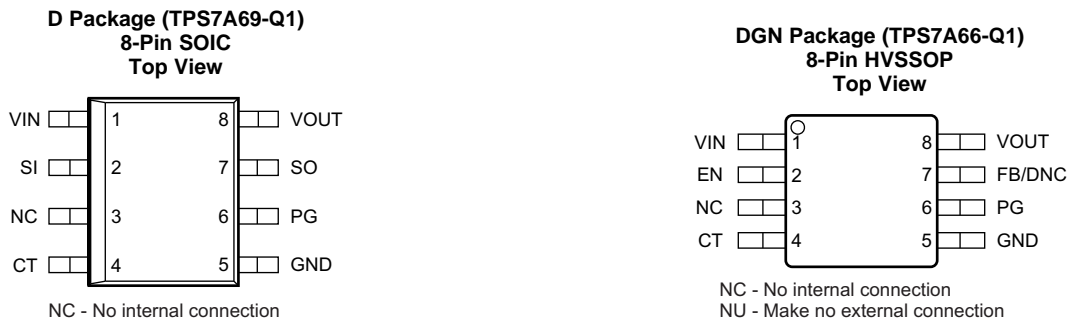
Revision C (December 2013) から Revision D に変更	Page
• CDM ESC分類レベルを変更.....	1
• Changed FB/NC pin to FB/NU in Pin Functions table Added NC and NU notes to pinout drawings .....	4
• Removed ESD and $T_{stg}$ specifications from the <i>Absolute Maximum Ratings</i> table .....	4
• Added <i>ESD Ratings</i> table .....	5
• Numerous changes throughout the <i>Electrical Characteristics</i> table .....	6
• Added <i>Switching Characteristics</i> table .....	7
• Moved an oscilloscope trace to the Applications Information section .....	10
• Changed de-glitch time in <i>Power-On Reset (PG)</i> section .....	13
• Changed reset delay timer default delay to 290 $\mu$ s from 150 $\mu$ s .....	13
• Changed voltage at which Power-on reset initializes to 91.6% of $V_{(Vout)}$ .....	13
• Changed selectable output voltage range and calculation for FB resistor divider .....	15

Revision B (August 2013) から Revision C に変更	Page
• 「概要」セクションの型番に -Q1 を追加して訂正.....	1
• Changed Operating ambient temperature to Operating junction temperature .....	4
• Added PSRR graph to Typical Characteristics.....	10
• Deleted a paragraph from the Thermal Protection section.....	16

Revision A (March 2013) から Revision B に変更	Page
• Added two conditions to $V_{dropout}$ in the Electrical Characteristics table .....	6

2012年12月発行のものから更新	Page
• Deleted the ORDERING INFORMATION table.....	4
• Changed From: $T_A$ Operating ambient temperature range –40 to 125°C To: $T_J$ Operating ambient temperature range –40 to 150°C .....	4

## 5 Pin Configuration and Functions



### Pin Functions

PIN NAME	PIN NO.		TYPE	DESCRIPTION
	SOIC-D	HVSSOP-DGN		
CT	4	4	O	Reset-pulse delay adjustment. Connecting a capacitor from this pin to GND changes the PG reset delay; see the <a href="#">Reset Delay Timer (CT)</a> section for more details.
EN	—	2	I	Enable pin. The device enters the standby state when the enable pin becomes lower than the enable threshold.
FB/DNC	—	7	I	Feedback pin when using external resistor divider or DNC pin when using the device with a fixed output voltage.
GND	5	5	G	Ground reference
NC	3	3	—	Not-connected pin
PG	6	6	O	Power good. This open-drain pin must connect to VOUT via an external resistor. $V_{PG}$ is logic level high when $V_{OUT}$ is above the power-on-reset threshold.
SI	2		I	Sense input pin to supervise input voltage. Connect via an external voltage divider to VIN and GND.
SO	7		O	Sense output. This open-drain pin must connect to VOUT via an external resistor. $V_{SO}$ is logic level low when $V_{SI}$ falls below the sense-low threshold.
VIN	1	1	P	Input power-supply voltage
VOUT	8	8	O	Regulated output voltage
Thermal pad	Pad	—	—	Thermal pad for HVSSOP-DGN package

## 6 Specifications

### 6.1 Absolute Maximum Ratings

over operating free-air temperature range (unless otherwise noted) <sup>(1)</sup>

		MIN	MAX	UNIT
VIN, EN	Unregulated input <sup>(2)(3)</sup>	-0.3	45	V
VOUT	Regulated output	-0.3	7	V
SI	Sense input <sup>(2)</sup>	-0.3	$V_{IN}$	V
CT	Reset delay input	-0.3	25	V
FB, SO, PG	Feedback, sense output, power good	-0.3	$V_{OUT}$	V
$T_J$	Operating junction temperature range	-40	150	°C
$T_{stg}$	Storage temperature	-65	150	°C

(1) Stresses beyond those listed under *Absolute Maximum Ratings* may cause permanent damage to the device. These are stress ratings only, and do not imply functional operation of the device at these or any other conditions beyond those indicated under *Recommended Operating Conditions*. Exposure to absolute-maximum-rated conditions for extended periods may affect device reliability.

(2) All voltage values are with respect to GND

(3) Absolute maximum voltage, withstand 45 V for 200 ms

## 6.2 ESD Ratings

		MIN	MAX	UNIT		
V <sub>(ESD)</sub>	Electrostatic discharge	Human body model (HBM), per AEC Q100-002 <sup>(1)</sup>		kV		
		Charged device model (CDM), per AEC Q100-011	Corner pins (1, 4, 5, and 8)		0	1
			Other pins		0	1

(1) AEC Q100-002 indicates HBM stressing is done in accordance with the ANSI/ESDA/JEDEC JS-001 specification.

## 6.3 Recommended Operating Conditions

over operating free-air temperature range (unless otherwise noted)

		MIN	TYP	MAX	UNIT
V <sub>IN</sub>	Unregulated input	4		40	V
V <sub>EN</sub> , V <sub>SI</sub>	High voltage (I/O)	0		40	V
V <sub>CT</sub>	CT pin voltage	0		20	V
V <sub>OUT</sub>	Regulated output	1.5		5.5	V
V <sub>PG</sub> , V <sub>SO</sub> , V <sub>FB</sub>	Low voltage (I/O)	0		5.5	V
C <sub>IN</sub>	Input capacitor <sup>(1)</sup>		10		μF
C <sub>OUT</sub>	Output capacitor <sup>(1)</sup>	2.2		100	μF
T <sub>J</sub>	Operating junction temperature	–40		150	°C

(1) Values on this row refer to the nominal value of the capacitor.

## 6.4 Thermal Information

THERMAL METRIC <sup>(1)</sup>		TPS7A66-Q1	TPS7A69-Q1	UNIT
		HVSSOP (8 PINS)	SOIC (8 PINS)	
R <sub>θJA</sub>	Junction-to-ambient thermal resistance	63.4	113.2	°C/W
R <sub>θJC(top)</sub>	Junction-to-case (top) thermal resistance	53.0	59.6	°C/W
R <sub>θJB</sub>	Junction-to-board thermal resistance	37.4	59.57	°C/W
ψ <sub>JT</sub>	Junction-to-top characterization parameter	3.7	12.8	°C/W
ψ <sub>JB</sub>	Junction-to-board characterization parameter	37.1	52.9	°C/W
R <sub>θJC(bot)</sub>	Junction-to-case (bottom) thermal resistance	13.5	NA	°C/W

(1) For more information about traditional and new thermal metrics, see the [Semiconductor and IC Package Thermal Metrics](#) application report.

## 6.5 Electrical Characteristics

 $V_{IN} = 14\text{ V}$ ,  $1\text{ m}\Omega < \text{ESR} < 2\ \Omega$ ,  $T_J = -40^\circ\text{C}$  to  $150^\circ\text{C}$  (unless otherwise noted)

PARAMETER		TEST CONDITIONS	MIN	TYP	MAX	UNIT
<b>SUPPLY VOLTAGE AND CURRENT (VIN)</b>						
$V_{IN}$	Input voltage	Fixed 5-V output, $I_O = 1\text{ mA}$	5.5		40	V
		Fixed 3.3-V output, $I_O = 1\text{ mA}$	4		40	
$I_{(q)}$	Quiescent current	$V_{IN} = 5.5\text{ V}$ to $40\text{ V}$ , EN = ON, $I_O = 0.2\text{ mA}$		12	20	$\mu\text{A}$
$I_{(\text{Sleep})}$	Input sleep current	No load current and EN = OFF			4	$\mu\text{A}$
$I_{(\text{EN})}$	EN pin current	$V_{(\text{EN})} = 40\text{ V}$			1	$\mu\text{A}$
$V_{(\text{bg})}$	Band gap	Reference voltage for FB	1.199	1.223	1.247	V
$V_{(\text{VinUVLO})}$	Undervoltage lockout detection	Ramp $V_{IN}$ down until output turns OFF			2.6	V
$V_{(\text{UVLOhys})}$	Undervoltage hysteresis			1		V
<b>ENABLE INPUT (EN)</b>						
$V_{IL}$	Logic input low level		0		0.4	V
$V_{IH}$	Logic input high level		1.7			V
<b>REGULATED OUTPUT (VOUT)</b>						
$V_{OUT}$	Regulated output	$I_O = 1\text{ mA}$ , $T_J = 25^\circ\text{C}$	-1%		1%	
		$V_{IN} = 6\text{ V}$ to $40\text{ V}$ , $I_O = 1\text{ mA}$ to $150\text{ mA}$ , fixed 5-V version	-2%		2%	
		$V_{IN} = 4\text{ V}$ to $40\text{ V}$ , $I_O = 1\text{ mA}$ to $150\text{ mA}$ , fixed 3.3-V version	-2%		2%	
		$V_{IN} = V_{OUT} + 0.45\text{ V}$ and $V_{in} \geq 4\text{ V}$ , $I_O = 1\text{ mA}$ to $150\text{ mA}$ , adjustable version <sup>(1)</sup>	-2%		2%	
$V_{(\text{line-reg})}$	Line regulation	$V_{IN} = 5.5\text{ V}$ to $40\text{ V}$ , $I_O = 50\text{ mA}$			5	mV
$V_{(\text{load-reg})}$	Load regulation	$I_O = 1\text{ mA}$ to $150\text{ mA}$			20	mV
$V_{(\text{dropout})}$	Dropout voltage	$V_{(\text{dropout})} = V_{IN} - V_{OUT}$ , $I_{OUT} = 80\text{ mA}$		180	240	mV
		$V_{IN} - V_{OUT}$ , $I_{OUT} = 150\text{ mA}$		300	450	
		$V_{IN} = 3\text{ V}$ , $V_{(\text{dropout})} = V_{IN} - V_{OUT}$ , $I_O = 5\text{ mA}$	12	27.5	58	
		$V_{IN} = 3\text{ V}$ , $V_{(\text{dropout})} = V_{IN} - V_{OUT}$ , $I_O = 30\text{ mA}$	44	80	145	
$I_O$	Output current	$V_{OUT}$ in regulation	0		150	mA
$I_{(\text{ireg-CL})}$	Output current limit	$V_{OUT}$ short to ground		500	800	mA
PSRR	Power supply ripple rejection <sup>(2)</sup>	$V_{IN} = 12\text{ V}$ , $I_L = 10\text{ mA}$ , output capacitance = $2.2\ \mu\text{F}$				dB
		Frequency = $100\text{ Hz}$		60		
		Frequency = $100\text{ kHz}$		40		
<b>VOLTAGE SENSING PRE-WARNING</b>						
$V_{(S-th)}$	Sense low threshold	$V_{(SI)}$ decreasing	1.089	1.123	1.157	V
$V_{(S-th,hys)}$	Sense threshold hysteresis		50	100	150	mV
$V_{OL(S)}$	Sense output low voltage	$(V_{(SI)} \leq 1.06\text{ V}$ , $V_{IN} \geq 4\text{ V}$ , $R_{(SO)} = 10\text{ k}\Omega$ to $V_{OUT}$ )			0.4	V
$I_{OH(S)}$	Sense output leakage	$(V_{(SO)} = 5\text{ V}$ , $V_{(SI)} \geq 1.5\text{ V}$ )			1	$\mu\text{A}$
$I_{(S)}$	Sense input current		-1	0.1	1	$\mu\text{A}$
<b>RESET (PG)</b>						
$V_{OL}$	Reset output, low voltage	$I_{OL} = 0.5\text{ mA}$			0.4	V
$I_{(kg)}$	Leakage current	Reset pulled up to $V_{OUT}$ through a $10\text{-k}\Omega$ resistor			1	$\mu\text{A}$
$V_{(\text{TH-POR})}$	Power-on-reset threshold	$V_{OUT}$ increasing	89.6	91.6	93.6	% of $V_{OUT}$
$V_{(\text{Thres})}$	Hysteresis			2		% of $V_{OUT}$
<b>RESET DELAY (CT)</b>						
$I_{(\text{Chg})}$	Delay-capacitor charging current	$V_{CT} = 0\text{ V}$		1.4		$\mu\text{A}$
$V_{(\text{th})}$	CT threshold to release PG high			1		V
<b>OPERATING TEMPERATURE RANGE</b>						
$T_J$	Junction temperature		-40		150	$^\circ\text{C}$
$T_{(\text{shutdown})}$	Junction shutdown temperature			175		$^\circ\text{C}$
$T_{(\text{hyst})}$	Hysteresis of thermal shutdown			20		$^\circ\text{C}$

(1) Adjustable version with precision external feedback resistor with tolerance of less than  $\pm 1\%$ .

(2) Design information – not tested.

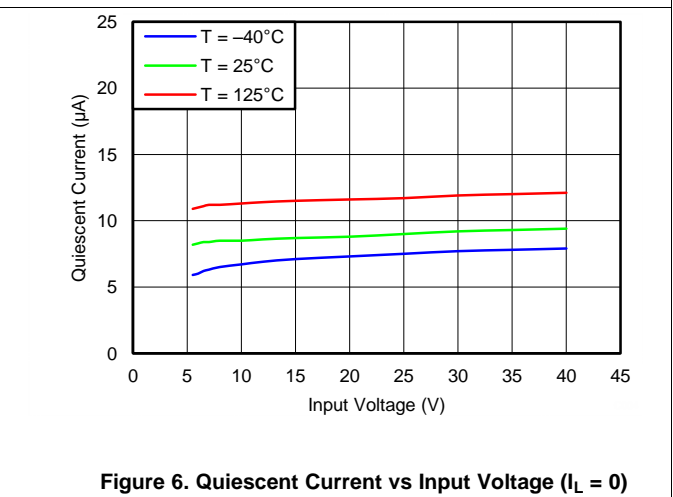
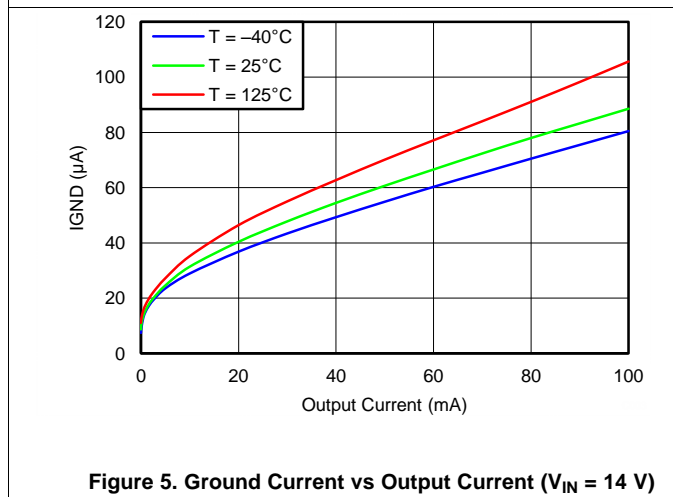
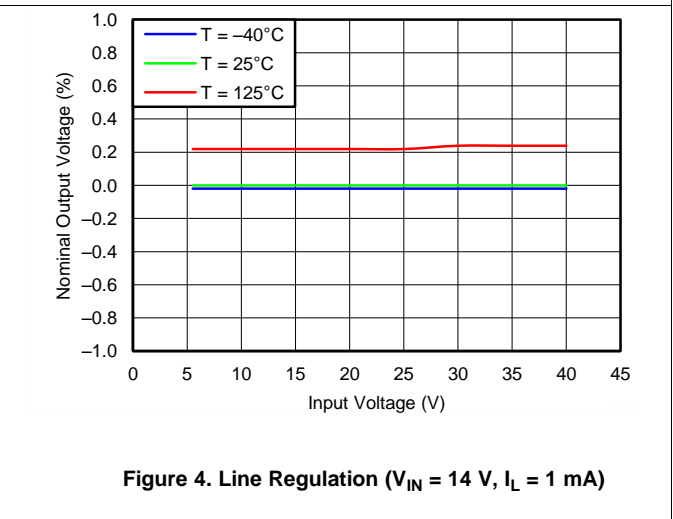
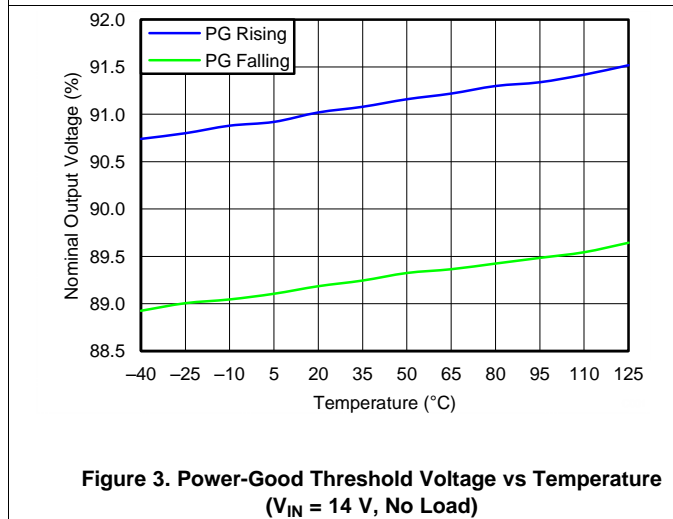
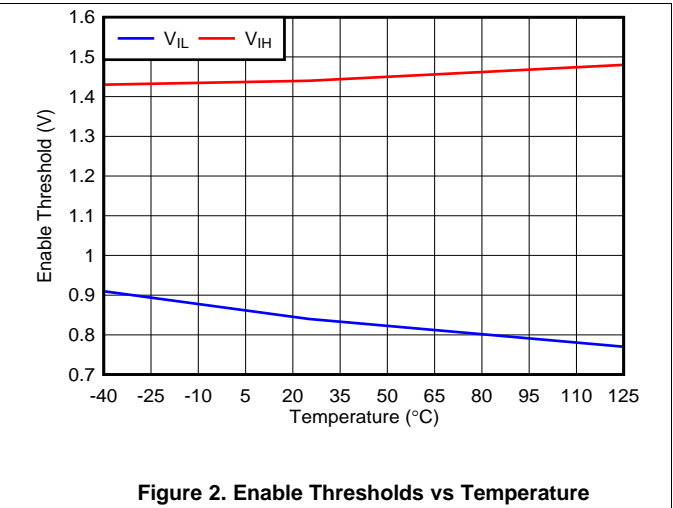
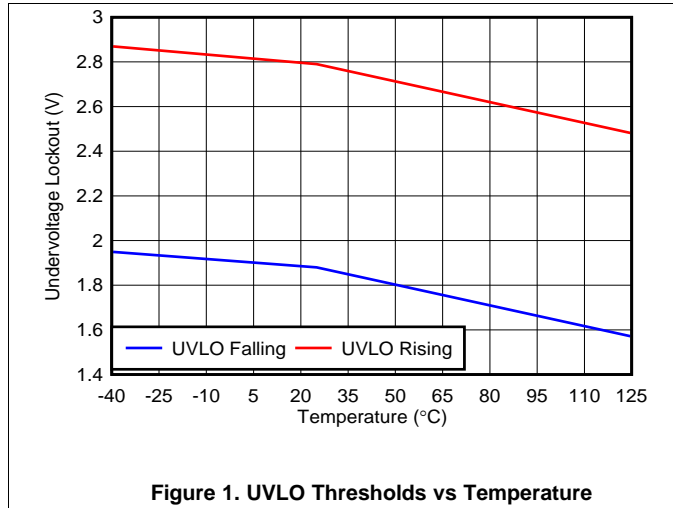
## 6.6 Switching Characteristics

over operating free-air temperature range (unless otherwise noted)

PARAMETER		TEST CONDITIONS	MIN	TYP	MAX	UNIT
<b>TIMING FOR SENSE INPUT AND OUTPUT (SI, SO)</b>						
$t_{(SDeg\,litch,\,rise)}$	SI or SO rising deglitch time		50		260	$\mu s$
$t_{(SDeg\,litch,\,drop)}$	SI or SO falling deglitch time		30		240	$\mu s$
<b>TIMING FOR RESET (PG)</b>						
$t_{(POR)}$	Power-on-reset delay	Where C = delay capacitor value; capacitance C = 100 nF <sup>(1)</sup>	50	100	180	ms
$t_{(POR-fixed)}$		No capacitor on pin	100	290	650	$\mu s$
$t_{(Deg\,litch)}$	Reset deglitch time		20	250		$\mu s$

- (1) This information only is not tested in production and equation basis is  $(C \times 1) / 1 \times 10^{-6} = t_d$  (delay time).  
Where C = Delay capacitor value. Capacitance C range = 100 pF to 100 nF.

## 6.7 Typical Characteristics





Typical Characteristics (continued)

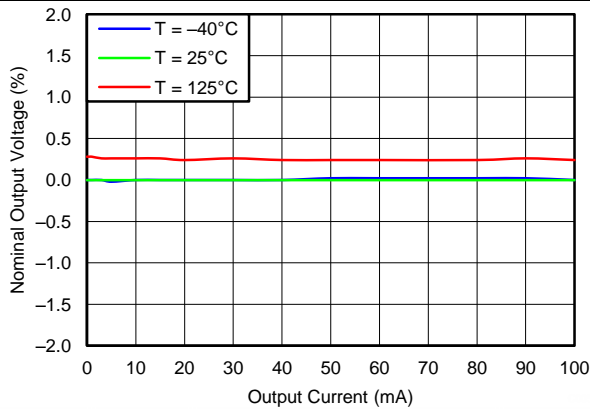


Figure 7. Load Regulation ( $V_{IN} = 14\text{ V}$ )

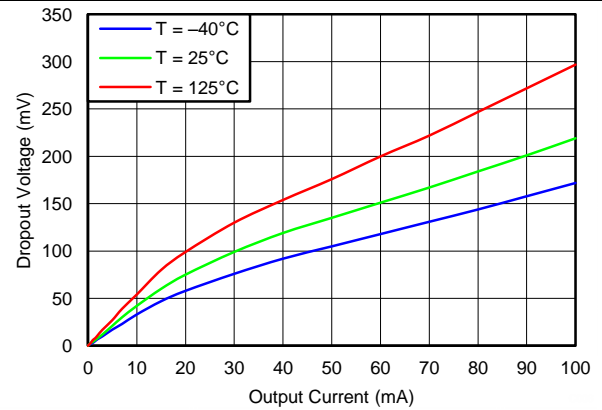


Figure 8. Dropout Voltage vs Output Current ( $V_{IN} = 4\text{ V}$ )

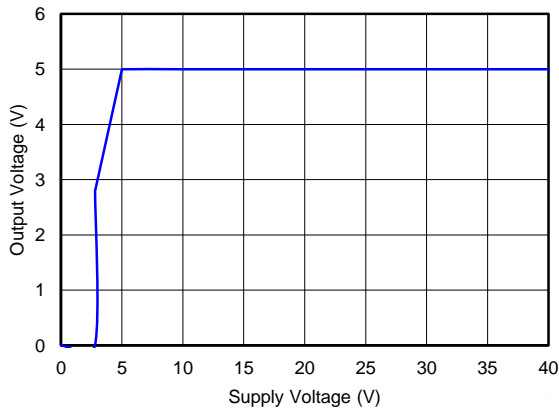


Figure 9. Output Voltage vs Supply Voltage (Fixed 5-V Version,  $I_L = 0$ )

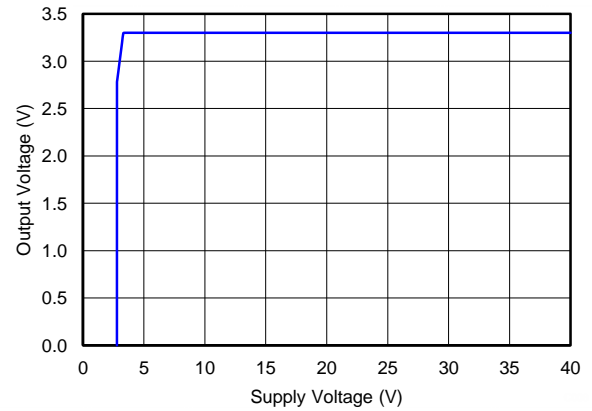


Figure 10. Output Voltage vs Supply Voltage (Fixed 3.3-V Version,  $I_L = 0$ )

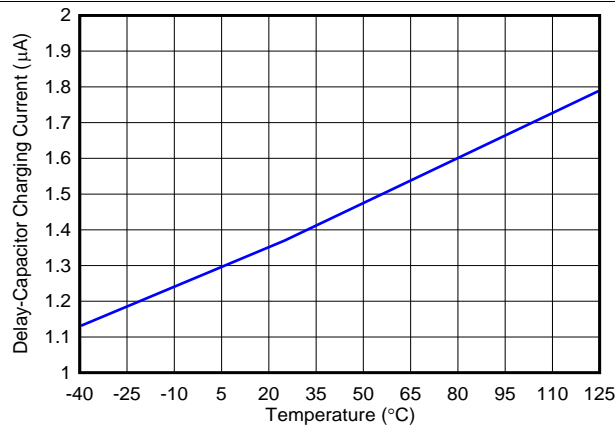


Figure 11. CT Charging Current ( $V_{CT} = 0$ )

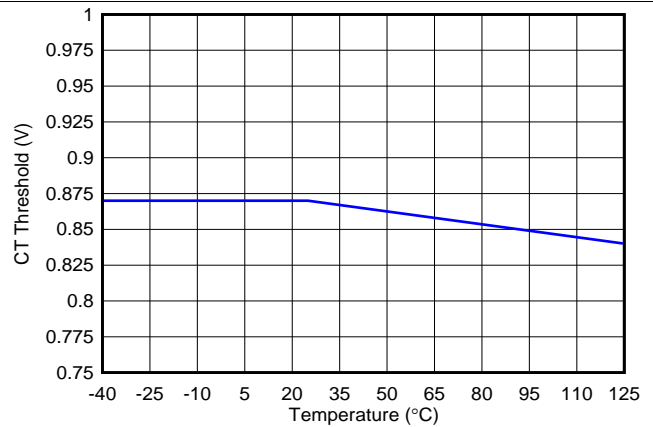


Figure 12. CT Charging Threshold

Typical Characteristics (continued)

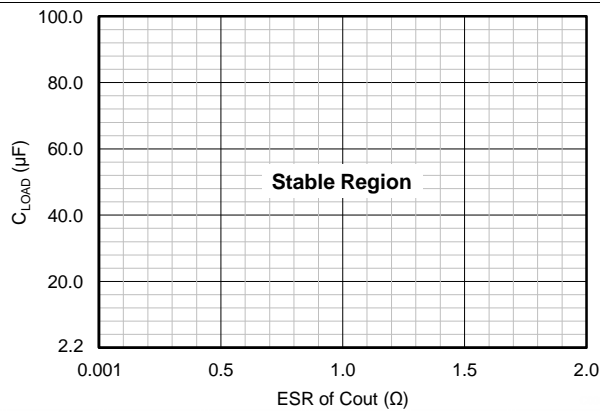


Figure 13. Load Capacitance vs ESR Stability

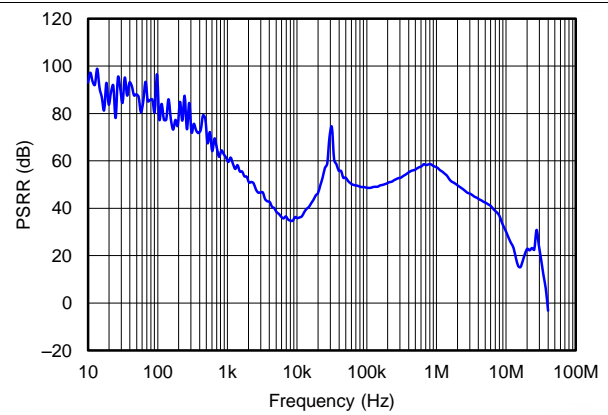
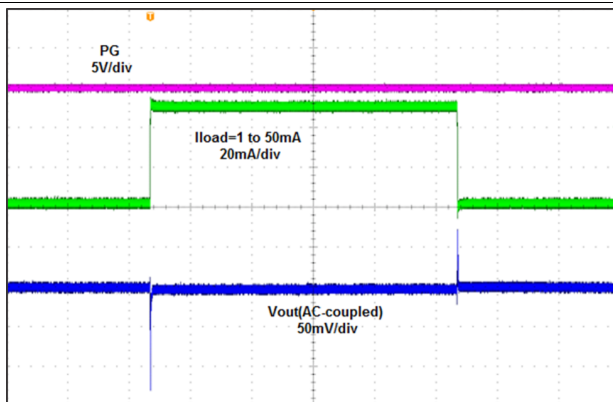
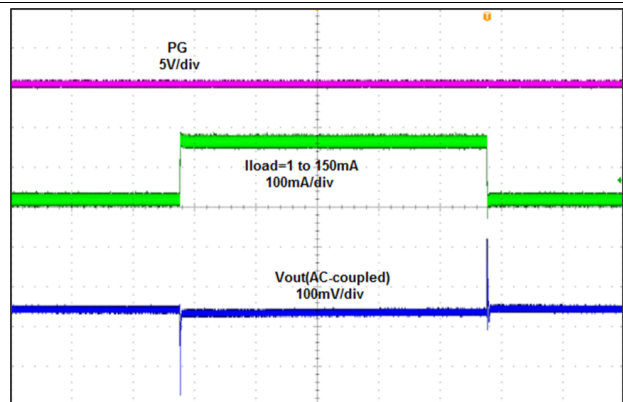


Figure 14. Power-Supply Rejection Ratio vs Frequency



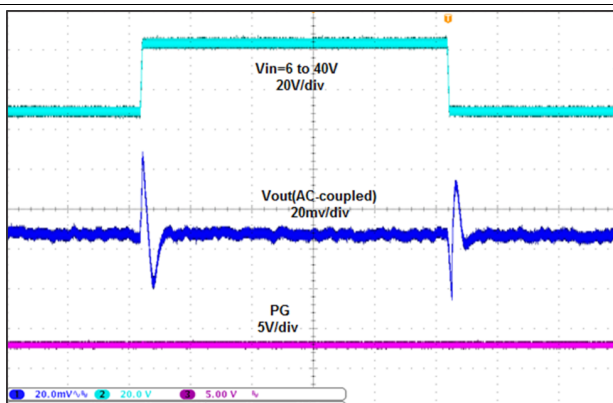
All oscilloscope waveforms were taken at room temperature.

Figure 15. Load Transient Response, 10 ms/div



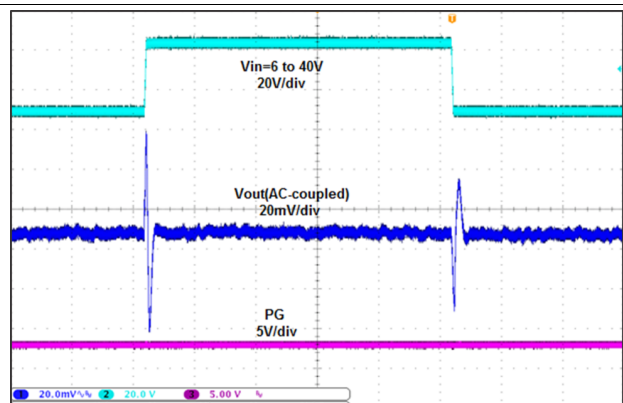
All oscilloscope waveforms were taken at room temperature.

Figure 16. Load Transient Response, 10 ms/div



All oscilloscope waveforms were taken at room temperature.

Figure 17. Line Transient Response,  $I_L = 1 \text{ mA}$ ,  $1 \text{ V}/\mu\text{s}$



All oscilloscope waveforms were taken at room temperature.

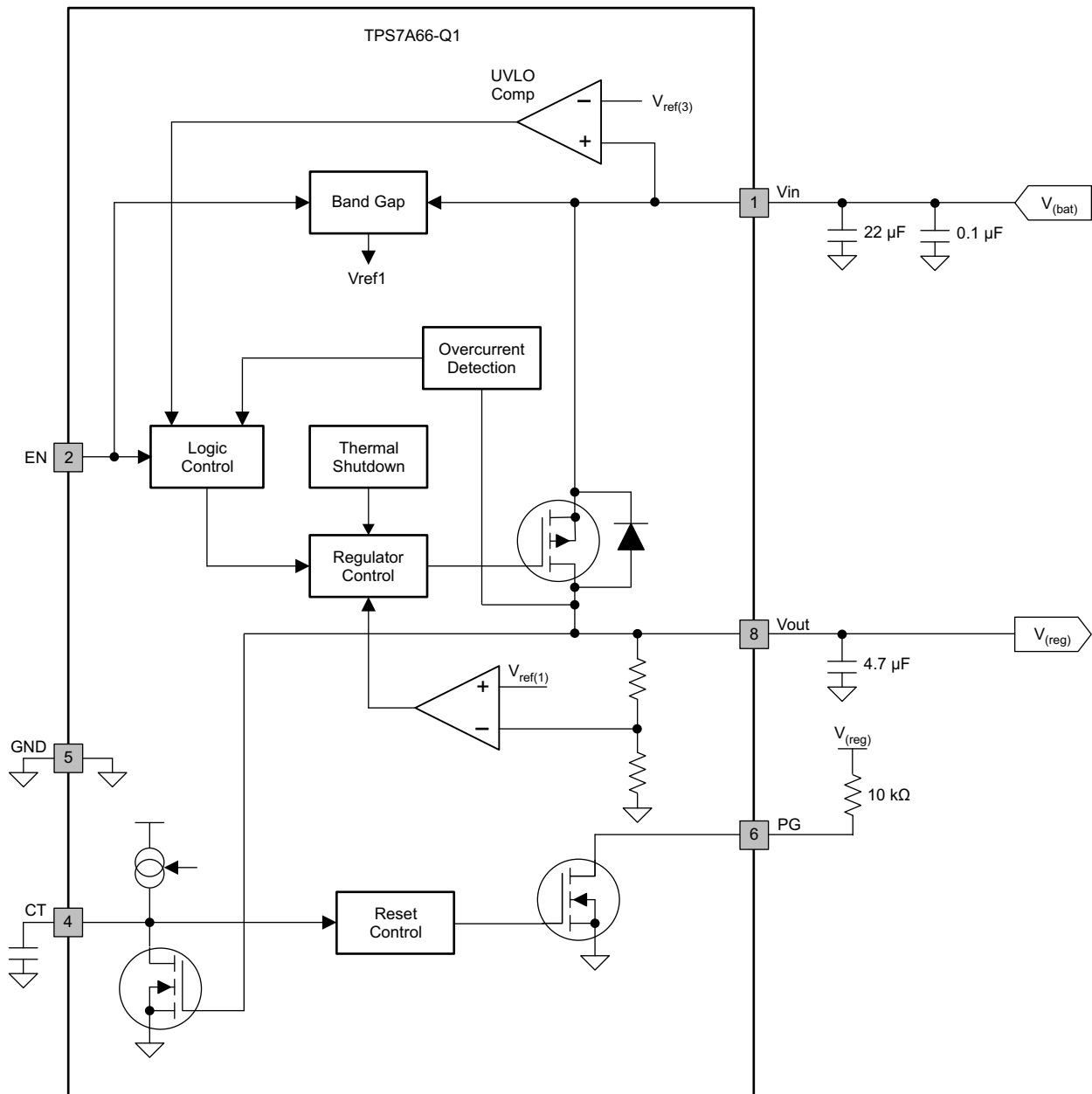
Figure 18. Line Transient Response,  $I_L = 10 \text{ mA}$ ,  $1 \text{ V}/\mu\text{s}$

## 7 Detailed Description

### 7.1 Overview

This device is a combination of a low-dropout linear regulator with reset function. The power-on reset initializes once the  $V_{OUT}$  output exceeds 91.6% of the target value. The power-on-reset delay is a function of the value set by an external capacitor on the CT pin before releasing the PG pin high.

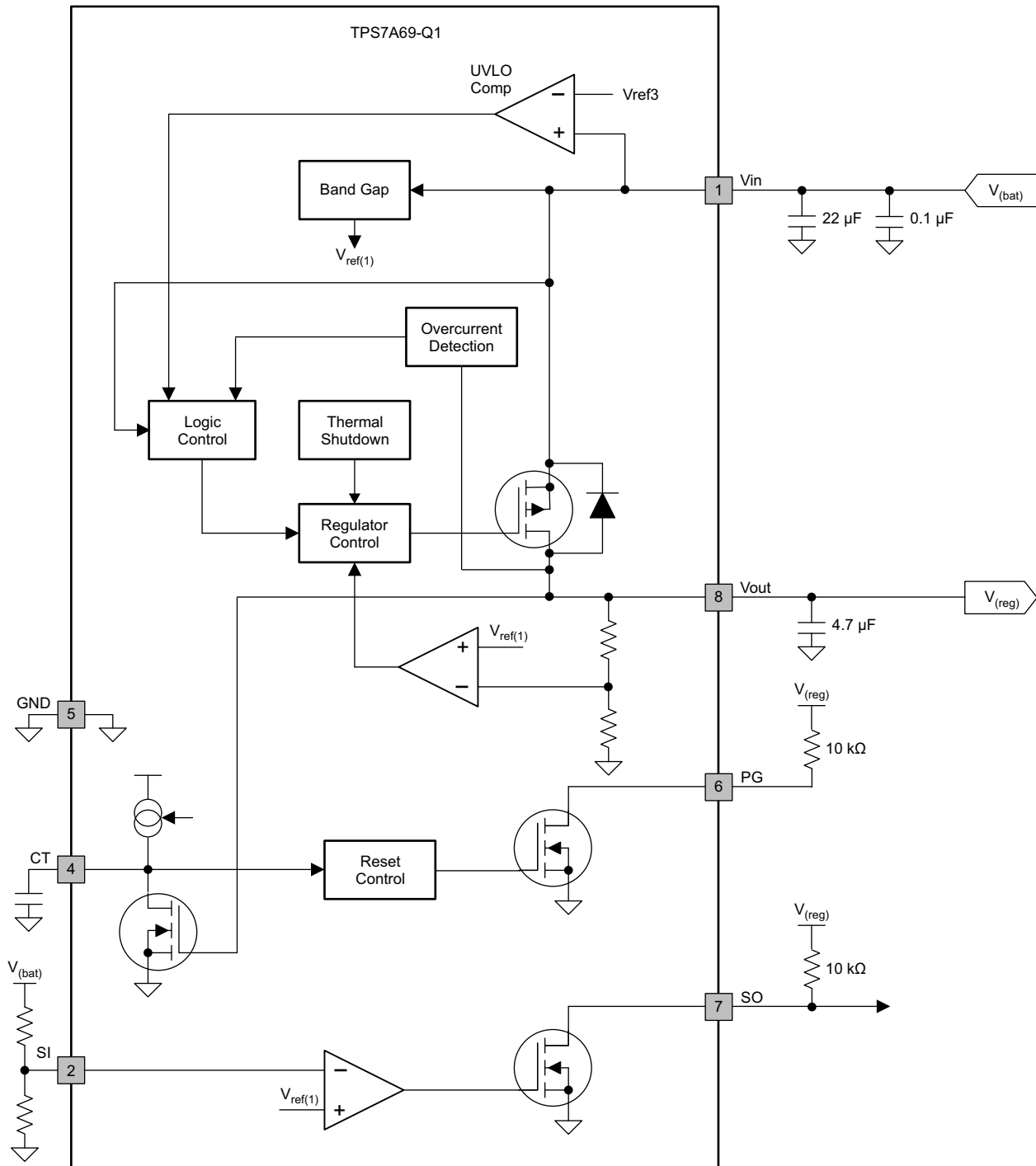
### 7.2 Functional Block Diagrams



Copyright © 2017, Texas Instruments Incorporated

Figure 19. TPS7A66-Q1 Functional Block Diagram

Functional Block Diagrams (continued)



Copyright © 2017, Texas Instruments Incorporated

Figure 20. TPS7A69-Q1 Functional Block Diagram

## 7.3 Feature Description

### 7.3.1 Enable (EN)

This is a high-voltage-tolerant pin; high input activates the device and turns the regulator ON. One can connect this input to the VIN pin for self-bias applications.

### 7.3.2 Regulated Output (V<sub>OUT</sub>)

This is the regulated output based on the required voltage. The output has current limitation. During initial power up, the regulator has a soft start incorporated to control initial current through the pass element and the output capacitor.

In the event the regulator drops out of regulation, the output tracks the input minus a drop based on the load current. When the input voltage drops below the UVLO threshold, the regulator shuts down until the input voltage recovers above the minimum start-up level.

### 7.3.3 Power-On Reset (PG)

This is an output with an external pullup resistor to the regulated supply. The output remains low until the regulated V<sub>OUT</sub> has exceeded approximately 90% of the set value and the power-on-reset delay has expired. The on-chip oscillator presets the delay. The regulated output falling below the 90% level asserts this output low after a short de-glitch time of approximately 250 μs (typical).

### 7.3.4 Reset Delay Timer (CT)

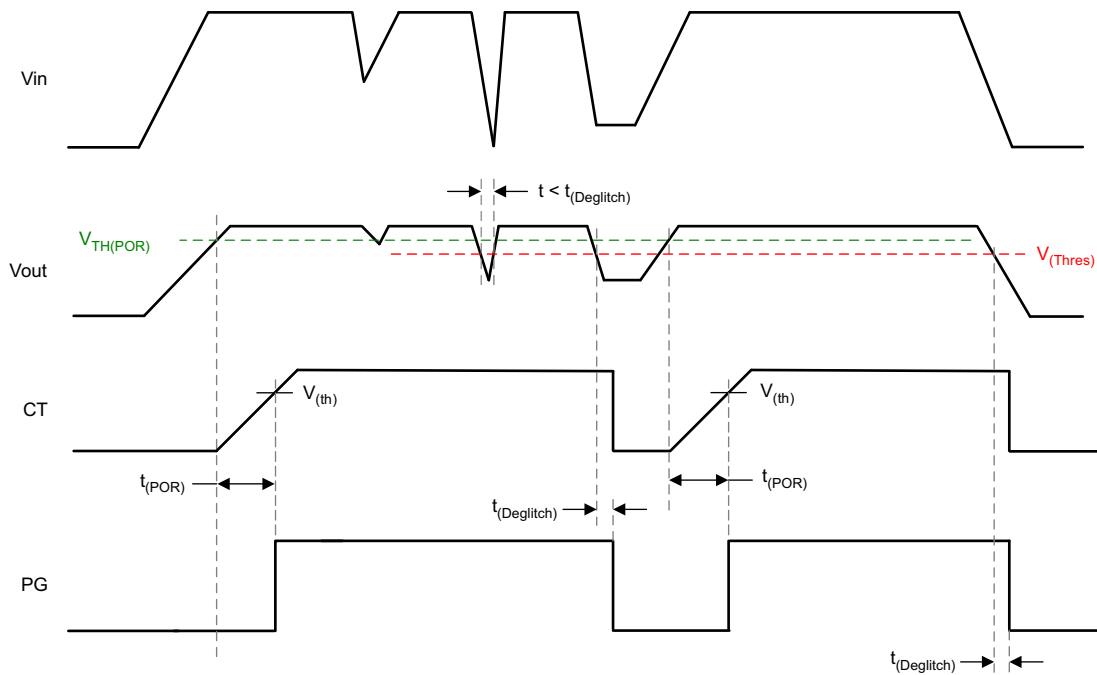
An external capacitor on this pin sets the timer delay before the reset pin is asserted high. The constant output current charges an external capacitor until the voltage exceeds a threshold to trip an internal comparator. If this pin is open, the default delay time is 290 μs (typ). After releasing the PG pin high, the capacitor on this pin discharges, thus allowing the capacitor to charge from approximately 0.2 V for the next power-on-reset delay-timer function.

An external capacitor, CT, defines the reset-pulse delay time, t<sub>(POR)</sub>, with the charge time of:

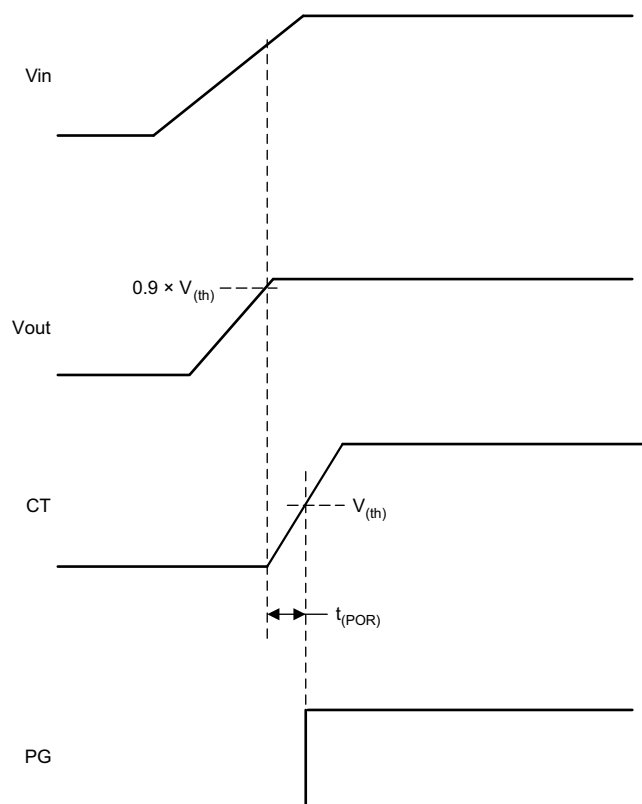
$$t_{(POR)} = \frac{C_{(CT)} \times 1\text{ V}}{1\ \mu\text{A}} \quad (1)$$

The power-on reset initializes once the output V<sub>OUT</sub> exceeds 91.6% of the programmed value. The power-on-reset delay is a function of the value set by an external capacitor on the CT pin before the releasing of the PG pin high.

**Feature Description (continued)**



**Figure 21. Conditions for Activation of Reset**



**Figure 22. External Programmable Reset Delay**

## Feature Description (continued)

### 7.3.5 Sense Comparator (SI and SO for TPS7A69-Q1)

The sense comparator compares the input signal with an internal voltage reference of 1.223 V for rising and 1.123 V for falling threshold. The use of an external voltage divider makes this comparator very flexible in the application.

The device can supervise the input voltage either before or after the protection diode and give additional information to the microprocessor, like low-voltage warnings.

The regulator operates in low-power mode when the output load is below 2 mA (typical, 1-mA to 10-mA range). In this mode, the regulator output tolerance is approximately  $V_{OUT} \pm 1\%$ .

### 7.3.6 Adjustable Output Voltage (FB for TPS7A6601-Q1)

One can select an output voltage between 1.5 V and 5 V by using an external resistor divider. Calculate the output voltage using the following equation, where  $V_{(FB)} = 1.223$  V. The recommendation for R1 and R2 is that both be less than 100 k $\Omega$ .

$$V_{(Vout)} = V_{(FB)} \times \left( 1 + \frac{R1}{R2} \right) \quad (2)$$

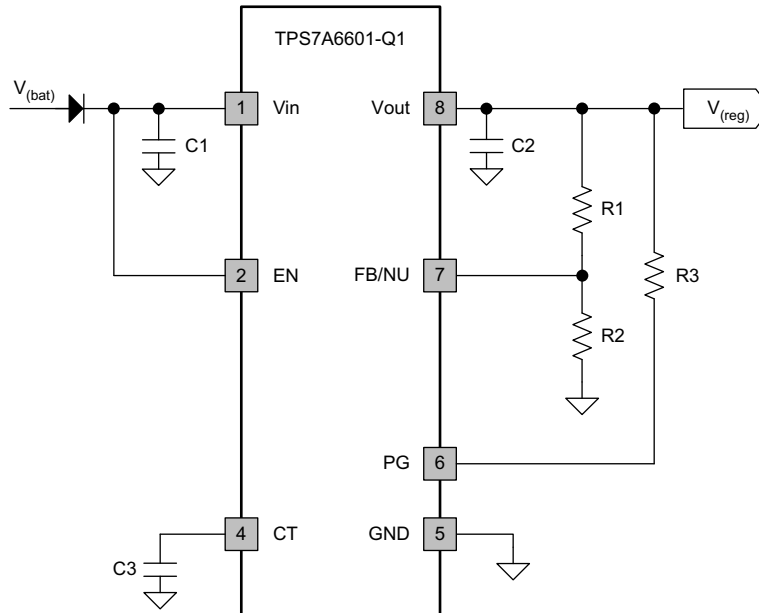


Figure 23. External Feedback Resistor Divider

### 7.3.7 Undervoltage Shutdown

There is an internally fixed undervoltage shutdown threshold. Undervoltage shutdown activates when the input voltage on VIN drops below  $V_{(VinUVLO)}$ . This ensures the regulator is not latched into an unknown state during low input supply voltage. If the input voltage has a negative transient which drops below the UVLO threshold and recovers, the regulator shuts down and powers up with a normal power-up sequence once the input voltage is above the required levels.

### 7.3.8 Low-Voltage Tracking

At low input voltages, the regulator drops out of regulation and the output voltage tracks input minus a voltage based on the load current ( $I_O$ ) and switch resistance ( $R_{(SW)}$ ). This allows for a smaller input capacitor and can possibly eliminate the need of using a boost convertor during cold-crank conditions.

## Feature Description (continued)

### 7.3.9 Thermal Shutdown

These devices incorporate a thermal shutdown (TSD) circuit as a protection from overheating. For continuous normal operation, the junction temperature should not exceed the TSD trip point. If the junction temperature exceeds the TSD trip point, the output turns off. When the junction temperature falls below the TSD trip point, the output turns on again.

Thermal protection disables the output when the junction temperature rises to approximately 170°C, allowing the device to cool. Cooling of the junction temperature to approximately 150°C enables the output circuitry. Depending on power dissipation, thermal resistance, and ambient temperature, the thermal protection circuit may cycle on and off. This cycling limits the dissipation of the regulator, protecting it from damage as a result of overheating.

The purpose of the design of the internal protection circuitry of the TPS7A66-Q1, TPS7A69-Q1 is for protection against overload conditions, not as a replacement for proper heat-sinking. Continuously running the TPS7A66-Q1 or TPS7A69-Q1 into thermal shutdown degrades device reliability.



## 7.4 Device Functional Modes

Table 1 provides a quick comparison between the regulation, disabled, and current limit modes of operation.

**Table 1. Device Functional Modes Comparison**

OPERATING MODE	PARAMETER			
	$V_{IN}$	EN <sup>(1)</sup>	$I_O$	$T_J$
Regulation <sup>(2)</sup>	$V_{IN} > V_{OUT(nom)} + V_{(dropout)}$	$V_{EN} > V_{IH}$	$I_O < I_{(reg-CL)}$	$T_J \leq T_{J(maximum)}$
Disabled <sup>(3)</sup>	$V_{IN} < V_{(vinUVLO)}$	$V_{EN} < V_{IL}$	—	$T_J > T_{sd}$
Current limit operation	—	—	$I_O \geq I_{(reg-CL)}$	—

(1) EN is only required for the TPS7A66-Q1 devices.

(2) All table conditions must be met.

(3) The device is disabled when any condition is met.

### 7.4.1 Regulation

The device regulates the output to the nominal output voltage when all the conditions in Table 1 are met.

### 7.4.2 Disabled

When disabled, the pass device is turned off and the internal circuits are shut down.

### 7.4.3 Operation With $V_{(vinUVLO)} < V_{IN} < V_{IN(min)}$

When the input voltage is ramping up the device typically turns on when the input voltage is greater than  $V_{(vinUVLO)}$  plus  $V_{(UVLOhys)}$ . When the input voltage is ramping down the device is specified to turn off when the input voltage becomes less than or equal to  $V_{(vinUVLO)}$ .

## 8 Application and Implementation

### NOTE

Information in the following applications sections is not part of the TI component specification, and TI does not warrant its accuracy or completeness. TI's customers are responsible for determining suitability of components for their purposes. Customers should validate and test their design implementation to confirm system functionality.

### 8.1 Application Information

The TPS7A66-Q1 and TPS7A69-Q1 devices are 150-mA low-dropout linear regulators designed for up to 40-V  $V_{IN}$  operation with only 12  $\mu$ A quiescent current at no load. One can use the Pspice transient model, which is downloadable from the product folder (see [関連リンク](#)), for evaluating the base function of the devices. In addition, there are specific EVMs designed for these devices. Both the EVM and its user guide are available on the product folder as well.

### 8.2 Typical Applications

Figure 24 and Figure 26 depict typical application circuits for the TPS7A66-Q1 and TPS7A69-Q1, respectively. One may use different values of external components, depending on the end application. An application may require a larger output capacitor during fast load steps in order to prevent reset from occurring. TI recommends a low-ESR ceramic capacitor with dielectric of type X5R or X7R.

#### 8.2.1 TPS7A66-Q1 Typical Application

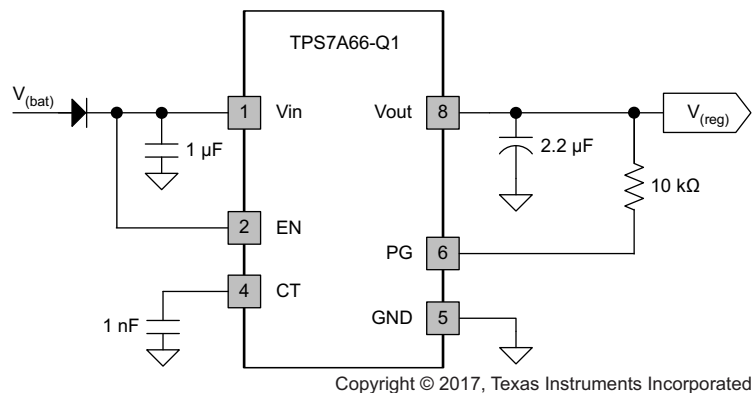


Figure 24. Typical Application Schematic for TPS7A66-Q1

#### 8.2.1.1 Design Requirements

For this design example, use the parameters listed in Table 2 as the design parameters.

Table 2. Design Parameters

DESIGN PARAMETER	EXAMPLE VALUE
Input voltage range	4 V to 40 V
Output voltage	3.3 V
Output current rating	150 mA
Output capacitor range	2.2 $\mu$ F to 100 $\mu$ F
Output capacitor ESR range	1 m $\Omega$ to 2 $\Omega$
CT capacitor range	100 pF to 100 nF

### 8.2.1.2 Detailed Design Procedure

To begin the design process, determine the following:

- Input voltage range
- Output voltage
- Output current rating
- Input capacitor
- Output capacitor
- Power-up-reset delay time

#### 8.2.1.2.1 Input Capacitor

The device requires an input decoupling capacitor, the value of which depends on the application. The typical recommended value for the decoupling capacitor is 10  $\mu\text{F}$ . The voltage rating must be greater than the maximum input voltage.

#### 8.2.1.2.2 Output Capacitor

The device requires an output capacitor to stabilize the output voltage. The capacitor value should be between 2.2  $\mu\text{F}$  and 100  $\mu\text{F}$ . The ESR range should be between 1  $\text{m}\Omega$  and 2  $\Omega$ . TI recommends to selecting a ceramic capacitor with low ESR to improve the load transient response.

### 8.2.1.3 Application Curve

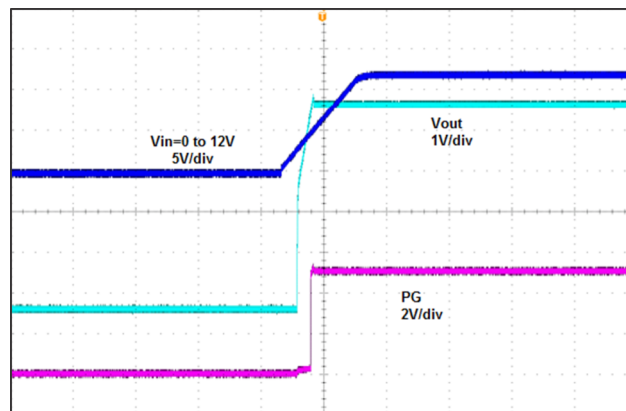
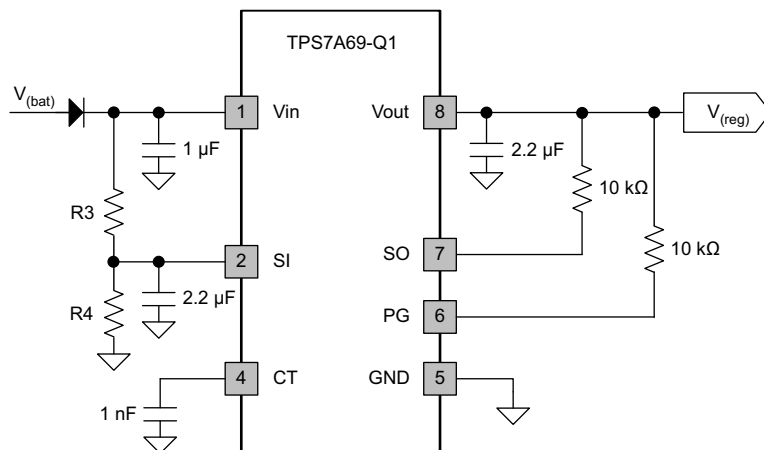


Figure 25. Power Up (5 V), 20 ms/div,  $I_L = 20 \text{ mA}$

### 8.2.2 TPS7A69-Q1 Typical Application



Copyright © 2017, Texas Instruments Incorporated

Figure 26. Typical Application Schematic for TPS7A69-Q1

### 8.2.2.1 Design Requirements

For this design example, use the parameters listed in [Table 2](#) as the input parameters.

**Table 3. Design Parameters**

DESIGN PARAMETER	EXAMPLE VALUE
Input voltage range	4 V to 40 V
Output voltage	3.3 V
Output current rating	150 mA
Output capacitor range	2.2 $\mu$ F to 100 $\mu$ F
Output capacitor ESR range	1 m $\Omega$ to 2 $\Omega$
CT capacitor range	100 pF to 100 nF
Low-voltage tracking threshold	6 V to 9 V

### 8.2.2.2 Detailed Design Procedure

To begin the design process, determine the following:

- Input voltage range
- Output voltage
- Output current rating
- Input capacitor
- Output capacitor
- Power-up-reset delay time
- Low-voltage tracking threshold

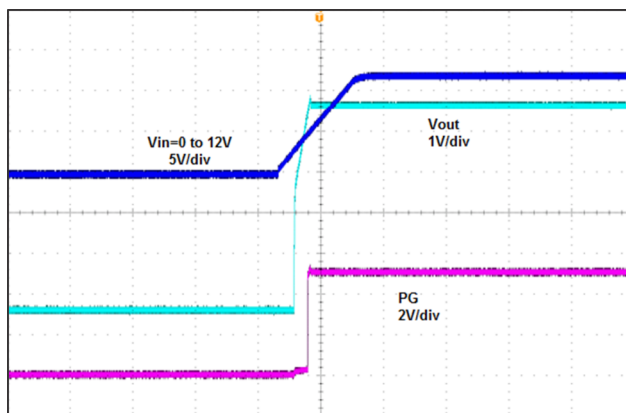
#### 8.2.2.2.1 Low-Voltage Tracking Threshold

After determining the low-voltage tracking threshold, calculate the ratio of the resistor divider connected to VIN, SI, and GND by the following equation:

$$\frac{R3}{R4} = \frac{V_{(LT)}}{1.223} - 1 \quad (3)$$

TI recommends that the values of both R3 and R4 be less than 100 k $\Omega$ .

### 8.2.2.3 Application Curve



**Figure 27. Power Up (5 V), 20 ms/div,  $I_L = 20$  mA**

## 9 Power Supply Recommendations

Design of the device is for operation from an input voltage supply with a range between 4 V and 28 V. This input supply must be well regulated. If the input supply is located more than a few inches from the TPS7A66-Q1 or TPS7A69-Q1 device, TI recommends adding an electrolytic capacitor with a value of 22  $\mu$ F and a ceramic bypass capacitor at the input.

## 10 Layout

### 10.1 Layout Guidelines

The high impedance of the FB pin makes the regulator sensitive to parasitic capacitances that may couple undesirable signals from nearby components (especially from logic and digital devices, such as microcontrollers and microprocessors); these capacitive-coupled signals may produce undesirable output voltage transients. In these cases, TI recommends the use of a fixed-voltage version of the TPS7A66-Q1, or isolation of the FB node by flooding the local PCB area with ground-plane copper to minimize any undesirable signal coupling.

#### 10.1.1 Package Mounting

Solder pad footprint recommendations for the TPS7A66-Q1 and TPS7A69-Q1 are available at the end of this product data sheet and at [www.ti.com](http://www.ti.com).

#### 10.1.2 Board Layout Recommendations to Improve PSRR and Noise Performance

For the layout of TPS7A66-Q1 and TPS7A69-Q1, place the input and output capacitors close to the devices as shown in [Figure 28](#) and [Figure 29](#), respectively. In order to enhance the thermal performance, TI recommends surrounding the device with some vias.

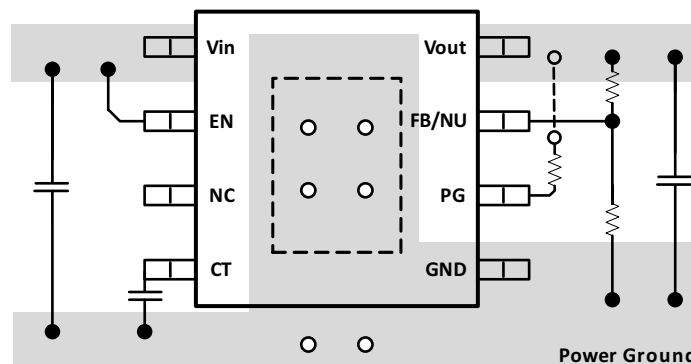
To improve ac performance such as PSRR, output noise, and transient response, TI recommends a board design with separate ground planes for VIN and VOUT, with each ground plane connected only at the GND pin of the device. In addition, the ground connection for the output capacitor should connect directly to the GND pin of the device.

Minimize equivalent series inductance (ESL) and ESR in order to maximize performance and ensure stability. Place every capacitor as close as possible to the device and on the same side of the PCB as the regulator itself.

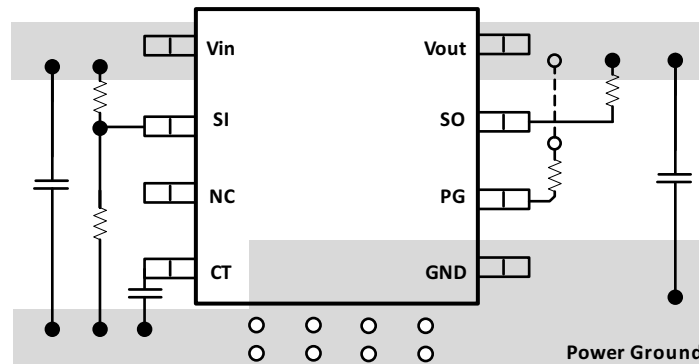
Do not place any of the capacitors on the opposite side of the PCB from where the regulator is installed. TI strongly discourages the use of vias and long traces because they may impact system performance negatively and even cause instability.

If possible, and to ensure the maximum performance specified in this product data sheet, use the same layout pattern used for the TPS7A66-Q1 and TPS7A69-Q1 evaluation board, available at [www.ti.com](http://www.ti.com).

### 10.2 Layout Examples



**Figure 28. TPS7A66-Q1 Board Layout Diagram**

**Layout Examples (continued)**

**Figure 29. TPS7A69-Q1 Board Layout Diagram**
**10.3 Power Dissipation and Thermal Considerations**

Calculate power dissipated in the device using [Equation 4](#).

$$P_D = I_O \times (V_{(Vin)} - V_{(Vout)}) + I_{(q)} \times V_{(Vin)} \quad (4)$$

where:

$P_D$  = continuous power dissipation

$I_O$  = output current

$V_{IN}$  = input voltage

$V_{OUT}$  = output voltage

As  $I_{(q)} \ll I_O$ , therefore ignore the term  $I_{(q)} \times V_{IN}$  in [Equation 4](#).

For a device under operation at a given ambient air temperature ( $T_A$ ), calculate the junction temperature ( $T_J$ ) using [Equation 5](#).

$$T_J = T_A + (R_{\theta JA} \times P_D) \quad (5)$$

where:

$R_{\theta JA}$  = junction-to-ambient air thermal impedance

$$\Delta T = T_J - T_A = (R_{\theta JA} \times P_D) \quad (6)$$

## 11 デバイスおよびドキュメントのサポート

### 11.1 関連リンク

次の表に、クイック・アクセス・リンクを示します。カテゴリには、技術資料、サポートおよびコミュニティ・リソース、ツールとソフトウェア、およびご注文へのクイック・アクセスが含まれます。

表 4. 関連リンク

製品	プロダクト・フォルダ	ご注文はこちら	技術資料	ツールとソフトウェア	サポートとコミュニティ
TPS7A66-Q1	<a href="#">ここをクリック</a>	<a href="#">ここをクリック</a>	<a href="#">ここをクリック</a>	<a href="#">ここをクリック</a>	<a href="#">ここをクリック</a>
TPS7A69-Q1	<a href="#">ここをクリック</a>	<a href="#">ここをクリック</a>	<a href="#">ここをクリック</a>	<a href="#">ここをクリック</a>	<a href="#">ここをクリック</a>

### 11.2 ドキュメントの更新通知を受け取る方法

ドキュメントの更新についての通知を受け取るには、[ti.com](http://ti.com)のデバイス製品フォルダを開いてください。右上の「アラートを受け取る」をクリックして登録すると、変更されたすべての製品情報に関するダイジェストを毎週受け取れます。変更の詳細については、修正されたドキュメントに含まれている改訂履歴をご覧ください。

### 11.3 コミュニティ・リソース

The following links connect to TI community resources. Linked contents are provided "AS IS" by the respective contributors. They do not constitute TI specifications and do not necessarily reflect TI's views; see TI's [Terms of Use](#).

**TI E2E™オンライン・コミュニティ** *TIのE2E ( Engineer-to-Engineer )* コミュニティ。エンジニア間の共同作業を促進するために開設されたものです。e2e.ti.comでは、他のエンジニアに質問し、知識を共有し、アイデアを検討して、問題解決に役立てることができます。

**設計サポート** *TIの設計サポート* 役に立つE2Eフォーラムや、設計サポート・ツールをすばやく見つけることができます。技術サポート用の連絡先情報も参照できます。

### 11.4 商標

E2E is a trademark of Texas Instruments.  
All other trademarks are the property of their respective owners.

### 11.5 静電気放電に関する注意事項



すべての集積回路は、適切なESD保護方法を用いて、取扱いと保存を行うようにして下さい。

静電気放電はわずかな性能の低下から完全なデバイスの故障に至るまで、様々な損傷を与えます。高精度の集積回路は、損傷に対して敏感であり、極めてわずかなパラメータの変化により、デバイスに規定された仕様に適合しなくなる場合があります。

### 11.6 Glossary

**SLYZ022** — *TI Glossary*.

This glossary lists and explains terms, acronyms, and definitions.

## 12 メカニカル、パッケージ、および注文情報

以降のページには、メカニカル、パッケージ、および注文に関する情報が記載されています。これらの情報は、指定のデバイスに対して提供されている最新のデータです。このデータは予告なく変更されることがあり、ドキュメントが改訂される場合もあります。本データシートのブラウザ版を使用されている場合は、画面左側の説明をご覧ください。

**PACKAGING INFORMATION**

Orderable Device	Status (1)	Package Type	Package Drawing	Pins	Package Qty	Eco Plan (2)	Lead finish/ Ball material (6)	MSL Peak Temp (3)	Op Temp (°C)	Device Marking (4/5)	Samples
TPS7A6601QDGNRQ1	ACTIVE	HVSSOP	DGN	8	2500	RoHS & Green	NIPDAUAG	Level-2-260C-1 YEAR	-40 to 125	PA4Q	<a href="#">Samples</a>
TPS7A6633QDGNRQ1	ACTIVE	HVSSOP	DGN	8	2500	RoHS & Green	NIPDAUAG	Level-2-260C-1 YEAR	-40 to 125	PA2Q	<a href="#">Samples</a>
TPS7A6650QDGNRQ1	ACTIVE	HVSSOP	DGN	8	2500	RoHS & Green	NIPDAUAG	Level-2-260C-1 YEAR	-40 to 125	PA1Q	<a href="#">Samples</a>
TPS7A6933QDRQ1	ACTIVE	SOIC	D	8	2500	RoHS & Green	NIPDAU	Level-3-260C-168 HR	-40 to 125	6933	<a href="#">Samples</a>
TPS7A6950QDRQ1	ACTIVE	SOIC	D	8	2500	RoHS & Green	NIPDAU	Level-3-260C-168 HR	-40 to 125	6950	<a href="#">Samples</a>

(1) The marketing status values are defined as follows:

**ACTIVE:** Product device recommended for new designs.

**LIFEBUY:** TI has announced that the device will be discontinued, and a lifetime-buy period is in effect.

**NRND:** Not recommended for new designs. Device is in production to support existing customers, but TI does not recommend using this part in a new design.

**PREVIEW:** Device has been announced but is not in production. Samples may or may not be available.

**OBSELETE:** TI has discontinued the production of the device.

(2) **RoHS:** TI defines "RoHS" to mean semiconductor products that are compliant with the current EU RoHS requirements for all 10 RoHS substances, including the requirement that RoHS substance do not exceed 0.1% by weight in homogeneous materials. Where designed to be soldered at high temperatures, "RoHS" products are suitable for use in specified lead-free processes. TI may reference these types of products as "Pb-Free".

**RoHS Exempt:** TI defines "RoHS Exempt" to mean products that contain lead but are compliant with EU RoHS pursuant to a specific EU RoHS exemption.

**Green:** TI defines "Green" to mean the content of Chlorine (Cl) and Bromine (Br) based flame retardants meet JS709B low halogen requirements of <=1000ppm threshold. Antimony trioxide based flame retardants must also meet the <=1000ppm threshold requirement.

(3) MSL, Peak Temp. - The Moisture Sensitivity Level rating according to the JEDEC industry standard classifications, and peak solder temperature.

(4) There may be additional marking, which relates to the logo, the lot trace code information, or the environmental category on the device.

(5) Multiple Device Markings will be inside parentheses. Only one Device Marking contained in parentheses and separated by a "~" will appear on a device. If a line is indented then it is a continuation of the previous line and the two combined represent the entire Device Marking for that device.

(6) Lead finish/Ball material - Orderable Devices may have multiple material finish options. Finish options are separated by a vertical ruled line. Lead finish/Ball material values may wrap to two lines if the finish value exceeds the maximum column width.



**Important Information and Disclaimer:** The information provided on this page represents TI's knowledge and belief as of the date that it is provided. TI bases its knowledge and belief on information provided by third parties, and makes no representation or warranty as to the accuracy of such information. Efforts are underway to better integrate information from third parties. TI has taken and continues to take reasonable steps to provide representative and accurate information but may not have conducted destructive testing or chemical analysis on incoming materials and chemicals. TI and TI suppliers consider certain information to be proprietary, and thus CAS numbers and other limited information may not be available for release.

In no event shall TI's liability arising out of such information exceed the total purchase price of the TI part(s) at issue in this document sold by TI to Customer on an annual basis.

**TAPE AND REEL INFORMATION**

**QUADRANT ASSIGNMENTS FOR PIN 1 ORIENTATION IN TAPE**


\*All dimensions are nominal

Device	Package Type	Package Drawing	Pins	SPQ	Reel Diameter (mm)	Reel Width W1 (mm)	A0 (mm)	B0 (mm)	K0 (mm)	P1 (mm)	W (mm)	Pin1 Quadrant
TPS7A6601QDGNRQ1	HVSSOP	DGN	8	2500	330.0	12.4	5.3	3.4	1.4	8.0	12.0	Q1
TPS7A6633QDGNRQ1	HVSSOP	DGN	8	2500	330.0	12.4	5.3	3.4	1.4	8.0	12.0	Q1
TPS7A6650QDGNRQ1	HVSSOP	DGN	8	2500	330.0	12.4	5.3	3.4	1.4	8.0	12.0	Q1
TPS7A6933QDRQ1	SOIC	D	8	2500	330.0	12.4	6.4	5.2	2.1	8.0	12.0	Q1
TPS7A6950QDRQ1	SOIC	D	8	2500	330.0	12.4	6.4	5.2	2.1	8.0	12.0	Q1

**TAPE AND REEL BOX DIMENSIONS**


\*All dimensions are nominal

Device	Package Type	Package Drawing	Pins	SPQ	Length (mm)	Width (mm)	Height (mm)
TPS7A6601QDGNRQ1	HVSSOP	DGN	8	2500	366.0	364.0	50.0
TPS7A6633QDGNRQ1	HVSSOP	DGN	8	2500	366.0	364.0	50.0
TPS7A6650QDGNRQ1	HVSSOP	DGN	8	2500	366.0	364.0	50.0
TPS7A6933QDRQ1	SOIC	D	8	2500	356.0	356.0	35.0
TPS7A6950QDRQ1	SOIC	D	8	2500	356.0	356.0	35.0



D0008A

# PACKAGE OUTLINE

SOIC - 1.75 mm max height

SMALL OUTLINE INTEGRATED CIRCUIT



4214825/C 02/2019

### NOTES:

- Linear dimensions are in inches [millimeters]. Dimensions in parenthesis are for reference only. Controlling dimensions are in inches. Dimensioning and tolerancing per ASME Y14.5M.
- This drawing is subject to change without notice.
- This dimension does not include mold flash, protrusions, or gate burrs. Mold flash, protrusions, or gate burrs shall not exceed  $.006$  [0.15] per side.
- This dimension does not include interlead flash.
- Reference JEDEC registration MS-012, variation AA.

# EXAMPLE BOARD LAYOUT

D0008A

SOIC - 1.75 mm max height

SMALL OUTLINE INTEGRATED CIRCUIT



LAND PATTERN EXAMPLE  
EXPOSED METAL SHOWN  
SCALE:8X



SOLDER MASK DETAILS

4214825/C 02/2019

NOTES: (continued)

6. Publication IPC-7351 may have alternate designs.

7. Solder mask tolerances between and around signal pads can vary based on board fabrication site.

# EXAMPLE STENCIL DESIGN

D0008A

SOIC - 1.75 mm max height

SMALL OUTLINE INTEGRATED CIRCUIT



SOLDER PASTE EXAMPLE  
BASED ON .005 INCH [0.125 MM] THICK STENCIL  
SCALE:8X

4214825/C 02/2019

NOTES: (continued)

8. Laser cutting apertures with trapezoidal walls and rounded corners may offer better paste release. IPC-7525 may have alternate design recommendations.
9. Board assembly site may have different recommendations for stencil design.

## GENERIC PACKAGE VIEW

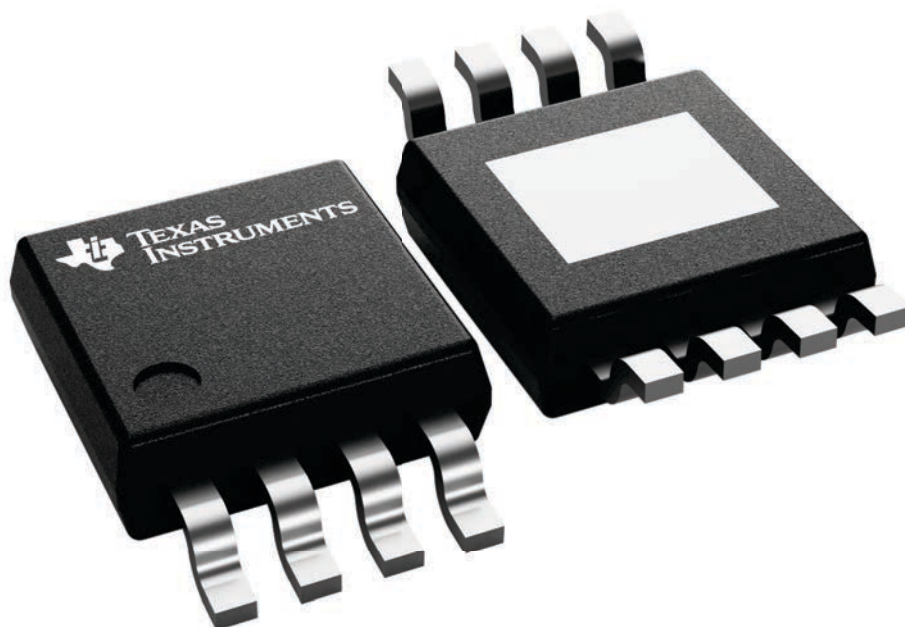
**DGN 8**

**PowerPAD™ HVSSOP - 1.1 mm max height**

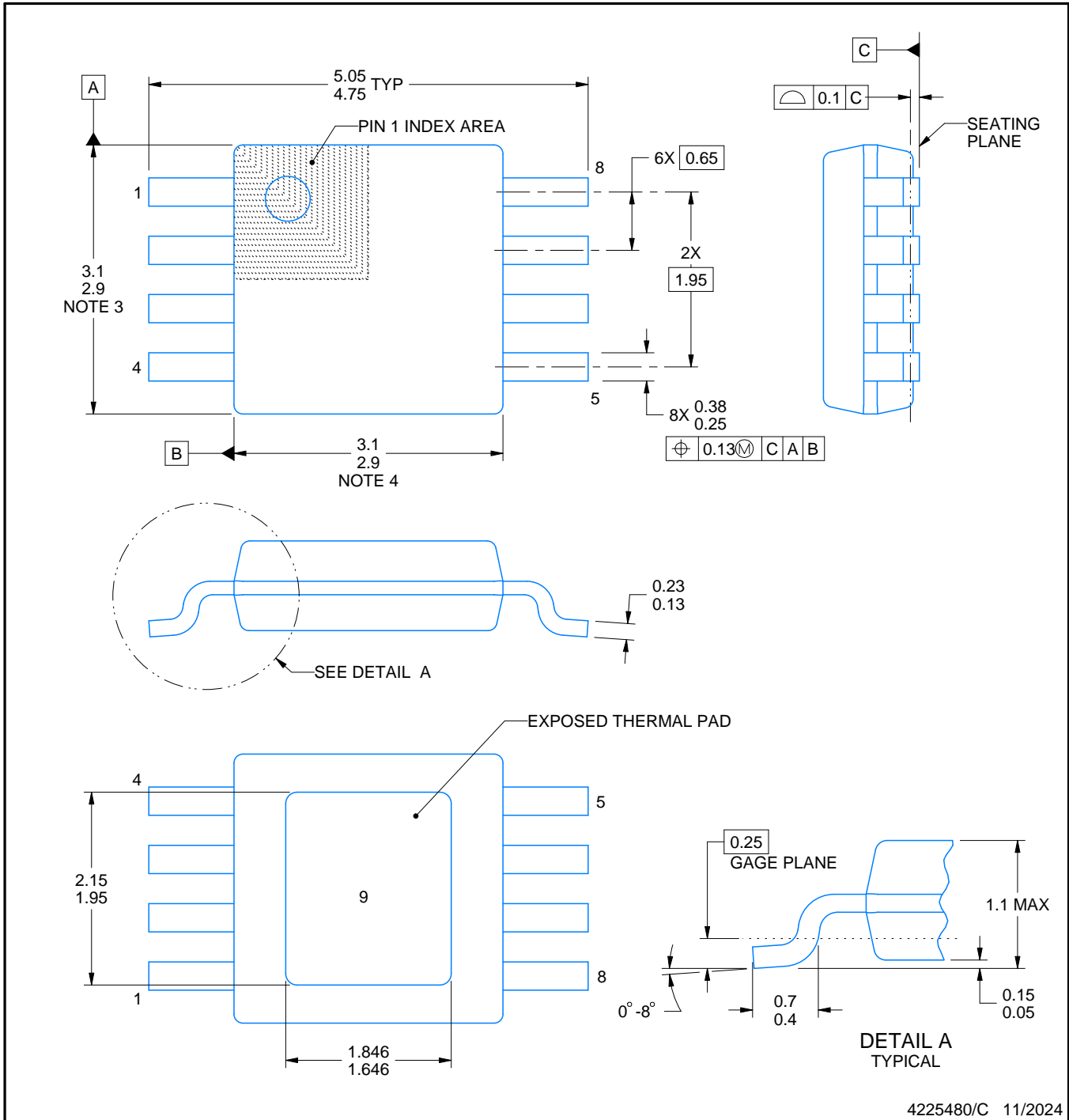
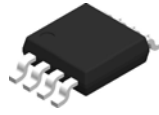
3 x 3, 0.65 mm pitch

SMALL OUTLINE PACKAGE

This image is a representation of the package family, actual package may vary.  
Refer to the product data sheet for package details.



4225482/B



4225480/C 11/2024

NOTES:

PowerPAD is a trademark of Texas Instruments.

1. All linear dimensions are in millimeters. Any dimensions in parenthesis are for reference only. Dimensioning and tolerancing per ASME Y14.5M.
2. This drawing is subject to change without notice.
3. This dimension does not include mold flash, protrusions, or gate burrs. Mold flash, protrusions, or gate burrs shall not exceed 0.15 mm per side.
4. This dimension does not include interlead flash. Interlead flash shall not exceed 0.25 mm per side.
5. Reference JEDEC registration MO-187.

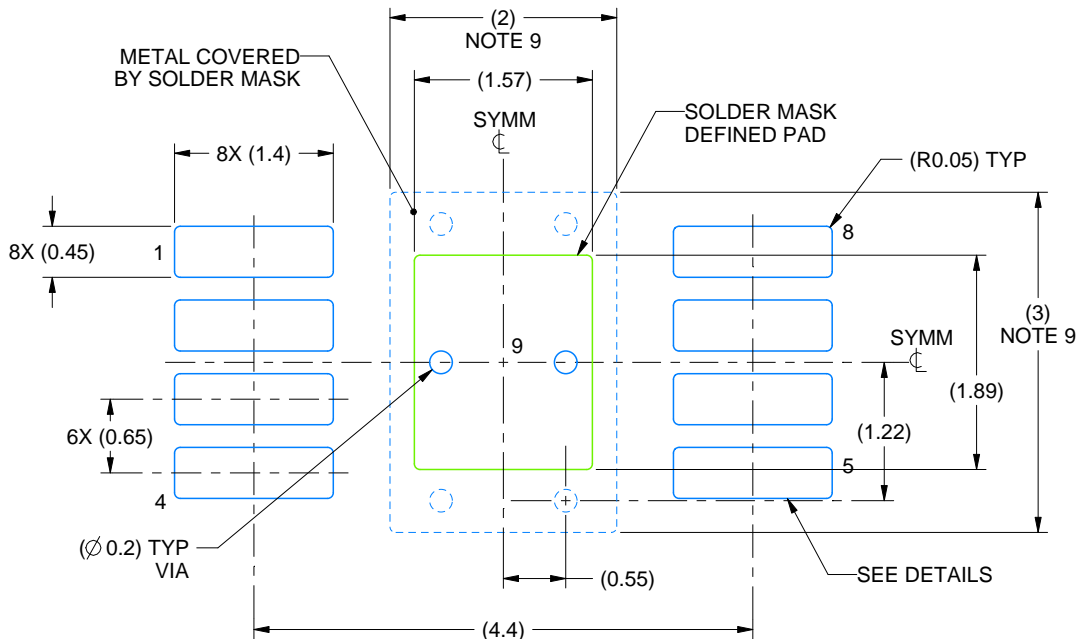


# EXAMPLE BOARD LAYOUT

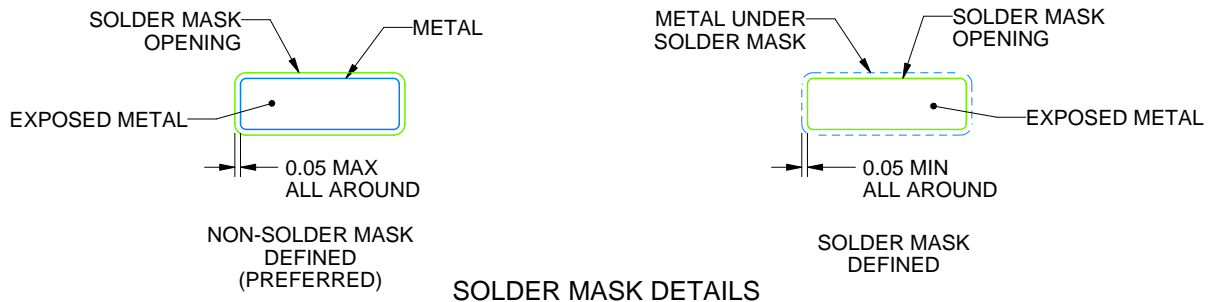
DGN0008G

PowerPAD™ HVSSOP - 1.1 mm max height

SMALL OUTLINE PACKAGE



LAND PATTERN EXAMPLE  
EXPOSED METAL SHOWN  
SCALE: 15X



4225480/C 11/2024

NOTES: (continued)

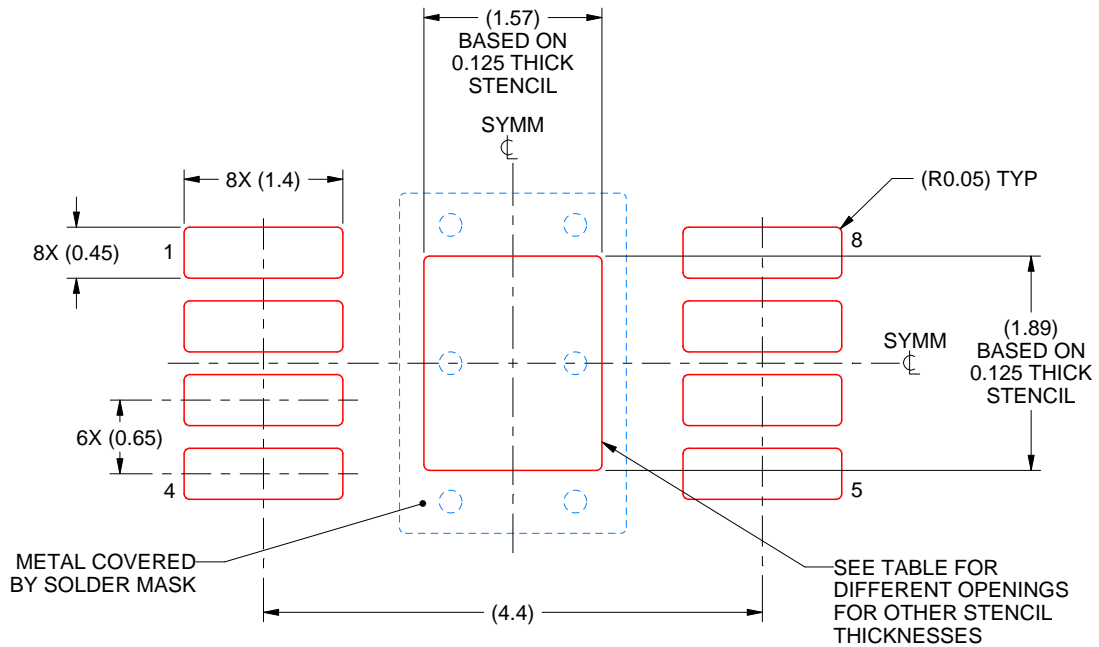
- 6. Publication IPC-7351 may have alternate designs.
- 7. Solder mask tolerances between and around signal pads can vary based on board fabrication site.
- 8. Vias are optional depending on application, refer to device data sheet. If any vias are implemented, refer to their locations shown on this view. It is recommended that vias under paste be filled, plugged or tented.
- 9. Size of metal pad may vary due to creepage requirement.

# EXAMPLE STENCIL DESIGN

DGN0008G

PowerPAD™ HVSSOP - 1.1 mm max height

SMALL OUTLINE PACKAGE



**SOLDER PASTE EXAMPLE**  
EXPOSED PAD 9:  
100% PRINTED SOLDER COVERAGE BY AREA  
SCALE: 15X

STENCIL THICKNESS	SOLDER STENCIL OPENING
0.1	1.76 X 2.11
0.125	1.57 X 1.89 (SHOWN)
0.15	1.43 X 1.73
0.175	1.33 X 1.60

4225480/C 11/2024

NOTES: (continued)

10. Laser cutting apertures with trapezoidal walls and rounded corners may offer better paste release. IPC-7525 may have alternate design recommendations.
11. Board assembly site may have different recommendations for stencil design.

## 重要なお知らせと免責事項

テキサス・インスツルメンツは、技術データと信頼性データ(データシートを含みます)、設計リソース(リファレンス デザインを含みます)、アプリケーションや設計に関する各種アドバイス、Web ツール、安全性情報、その他のリソースを、欠陥が存在する可能性のある「現状のまま」提供しており、商品性および特定目的に対する適合性の黙示保証、第三者の知的財産権の非侵害保証を含むいかなる保証も、明示的または黙示的にかかわらず拒否します。

これらのリソースは、テキサス・インスツルメンツ製品を使用する設計の経験を積んだ開発者への提供を意図したものです。(1) お客様のアプリケーションに適したテキサス・インスツルメンツ製品の選定、(2) お客様のアプリケーションの設計、検証、試験、(3) お客様のアプリケーションに該当する各種規格や、その他のあらゆる安全性、セキュリティ、規制、または他の要件への確実な適合に関する責任を、お客様のみが単独で負うものとし、ます。

上記の各種リソースは、予告なく変更される可能性があります。これらのリソースは、リソースで説明されているテキサス・インスツルメンツ製品を使用するアプリケーションの開発の目的でのみ、テキサス・インスツルメンツはその使用をお客様に許諾します。これらのリソースに関して、他の目的で複製することや掲載することは禁止されています。テキサス・インスツルメンツや第三者の知的財産権のライセンスが付与されている訳ではありません。お客様は、これらのリソースを自身で使用した結果発生するあらゆる申し立て、損害、費用、損失、責任について、テキサス・インスツルメンツおよびその代理人を完全に補償するものとし、テキサス・インスツルメンツは一切の責任を拒否します。

テキサス・インスツルメンツの製品は、[テキサス・インスツルメンツの販売条件](#)、または [ti.com](https://www.ti.com) やかかるテキサス・インスツルメンツ製品の関連資料などのいずれかを通じて提供する適用可能な条項の下で提供されています。テキサス・インスツルメンツがこれらのリソースを提供することは、適用されるテキサス・インスツルメンツの保証または他の保証の放棄の拡大や変更を意味するものではありません。

お客様がいかなる追加条項または代替条項を提案した場合でも、テキサス・インスツルメンツはそれらに異議を唱え、拒否します。

郵送先住所：Texas Instruments, Post Office Box 655303, Dallas, Texas 75265  
Copyright © 2025, Texas Instruments Incorporated