

TUSB8042A 対応、4 ポート、USB 3.2 x1 Gen1 ハブ

1 特長

- 4 ポート、USB 3.2 x1 Gen1 (5Gbps) ハブ
- USB 2.0 ハブ機能
 - Multiple Transaction Translator (MTT) ハブ: 4 つのトランザクショントランスレータ
 - トランザクショントランスレータごとに 2 つの非同期エンドポイント バッファ
- バッテリ充電の規格:
 - アップストリーム ポートの未接続または未構成時に、D+/D- デバイダ充電ポート (ACP1、ACP2、ACP3) をサポートします
 - アップストリーム ポートの未接続時に、DCP または ACP モード間の自動移行モードをサポートします
 - ギャラクシー充電をサポート
 - CDP モード (上流ポート接続時)
 - DCP モード (上流ポート未接続時)
 - DCP モードは中国電気通信業界標準 YD/T 1591-2009 に準拠
- USB 3.2 x1 Gen1 または USB 2.0 複合デバイスとしての動作をサポート
- ポート単位または一括制御のパワー スイッチングおよび過電流通知入力
- 4 つの外部ダウンストリーム ポートをサポート
- I²C の読み出し/書き込みと、100k および 1M の EEPROM の読み出しに対するベンダー要求をサポート
- I²C コントローラは、クロック ストレッチングをサポート
- OTP ROM、シリアル EEPROM、または I²C/SMBus ターゲット インターフェイスで次のカスタム構成に対応:
 - VID および PID
 - ポートのカスタマイズ
 - メーカーおよび製品文字列 (OTP ROM は除く)
 - シリアル番号 (OTP ROM は除く)
- ピン選択か、EEPROM または I²C/SMBus ターゲット インターフェイスを使用したアプリケーション機能選択
- 128 ビットの UUID (Universally Unique Identifier) を提供
- 単一クロック入力、24MHz の水晶振動子または発振器
- ダウンストリーム ポートは USB 2.0 で構成するのみ
- 64 ピン QFN パッケージ (RGC)

2 アプリケーション

- コンピュータ システム
- ドッキング・ステーション
- モニタ
- セットトップ ボックス

3 概要

TUSB8042A は 4 ポートの USB 3.2 x1 Gen1 (5Gbps) ハブです。このデバイスは、アップストリーム ポートで SuperSpeed USB、高速またはフルスピードの USB 接続を実現します。このデバイスは、ダウンストリーム ポートで SuperSpeed USB、高速、フルスピード、低速の USB 接続も実現します。ハイスピード、フルスピード、ロースピード接続のみをサポートする電子環境に上流ポートが接続されている場合、スーパー スピード USB 接続は下流ポートでディセーブルされます。

フル スピードまたはロー スピード接続のみをサポートする電子環境に上流ポートが接続されている場合、スーパー スピード USB およびハイ スピード接続は下流ポートでディセーブルされます。

TUSB8042A は、ポート別または一括制御のパワー スイッチングと過電流保護を提供し、バッテリ充電アプリケーションをサポートします。

ポート パワー個別制御のハブは、各下流ポートへの給電を USB ホストのリクエストに応じてオン/オフします。また、ポート パワー個別制御のハブが過電流イベントを検出した場合には、影響を受ける下流ポートへの電力だけがオフになります。

一括制御のハブは、いずれかのポートで電力が必要になると、すべてのダウンストリーム ポートへの給電をオンにします。下流ポートへの給電は、すべてのポートが給電を停止できる状態にならない限り、オフになりません。また、一括制御のハブが過電流イベントを検出すると、すべての下流ポートへの給電がオフになります。



TUSB8042A ダウンストリームポートは、バッテリー充電用のダウンストリームポート (CDP) ハンドシェイクに対応し、バッテリーを充電するアプリケーションをサポートします。アップストリームポートが接続されていないときは、専用充電ポート (DCP) モードもサポートします。DCP モードは、USB バッテリー充電、ギャラクシー充電、および中国電気通信業界標準 YD/T 1591-2009 をサポートする USB デバイスに対応します。上流ポートの未接続時、TUSB8042A はさらに、デバインド充電ポートモード (ACP_x モード) と、ACP₃ から DCP までの全モード間の自動移行をサポートします。

TUSB8042A は、バッテリー充電のサポートなどいくつかの機能について端子ストラップ構成を提供し、OTP ROM、I²C EEPROM により、または PID、VID、およびカスタムポートと PHY 構成用の I²C/SMBus スレーブ インターフェイスにより、カスタマイズを行えます。また、I²C EEPROM または I²C/SMBus ターゲット インターフェイスを使用する場合、カスタムストリングをサポートします。

このデバイスは 64 ピン RGC パッケージで供給され、0°C から 70°C までの温度範囲で動作するための商用バージョン (TUSB8042A)、40°C から 85°C までの温度範囲で動作するための産業用バージョン (TUSB8042AI) で供給されます。

パッケージ情報

部品番号 ⁽¹⁾	パッケージ	パッケージサイズ ⁽²⁾
TUSB8042A	RGC (VQFN, 64)	9mm × 9mm
TUSB8042AI	RGC (VQFN, 64)	9mm × 9mm

- (1) 供給されているすべてのパッケージについては、[セクション 12](#) を参照してください。
 (2) パッケージサイズ (長さ × 幅) は公称値であり、該当する場合はピンも含まれます。

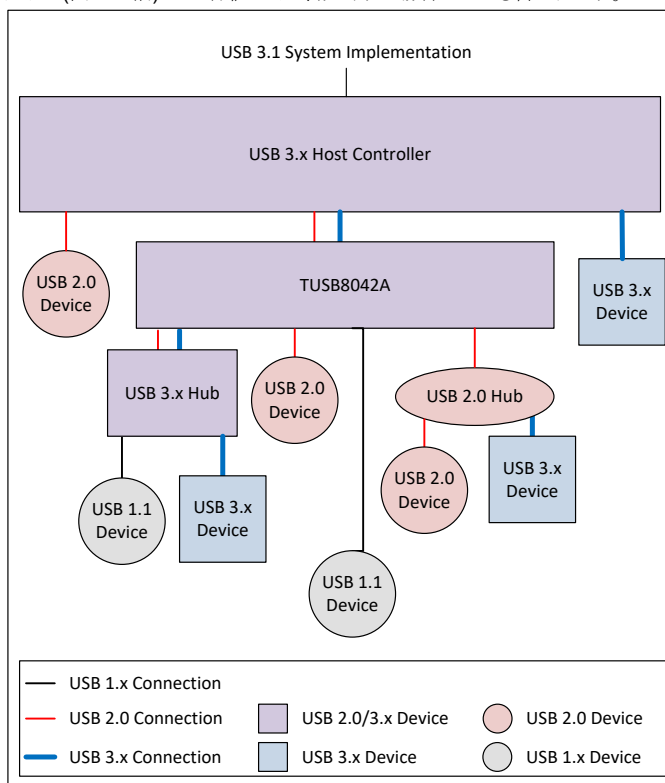


Table of Contents

1 特長	1	8.11 Device Configuration Register 2.....	31
2 アプリケーション	1	8.12 USB 2.0 Port Polarity Control Register.....	32
3 概要	1	8.13 UUID Registers.....	33
4 Device Variants	4	8.14 Language ID LSB Register.....	33
4.1 Device Version Comparison.....	4	8.15 Language ID MSB Register.....	33
5 Pin Configuration and Functions	5	8.16 Serial Number String Length Register.....	34
6 Specifications	10	8.17 Manufacturer String Length Register.....	34
6.1 Absolute Maximum Ratings.....	10	8.18 Product String Length Register.....	34
6.2 ESD Ratings.....	10	8.19 Device Configuration Register 3.....	35
6.3 Recommended Operating Conditions.....	10	8.20 USB 2.0 Only Port Register.....	35
6.4 Thermal Information.....	10	8.21 Serial Number String Registers.....	36
6.5 Electrical Characteristics.....	11	8.22 Manufacturer String Registers.....	37
6.6 Timing Requirements.....	13	8.23 Product String Registers.....	37
6.7 Timing Diagrams.....	14	8.24 Additional Feature Configuration Register.....	38
7 Detailed Description	15	8.25 SMBus Device Status and Command Register.....	39
7.1 Overview.....	15	9 Application and Implementation	40
7.2 Functional Block Diagram.....	15	9.1 Application Information.....	40
7.3 Feature Description.....	16	9.2 Typical Application.....	40
7.4 Device Functional Modes.....	22	9.3 Power Supply Recommendations.....	48
8 Register Maps	25	9.4 Layout.....	49
8.1 Configuration Registers.....	25	10 Device and Documentation Support	52
8.2 ROM Signature Register.....	26	10.1 Documentation Support.....	52
8.3 Vendor ID LSB Register.....	26	10.2 ドキュメントの更新通知を受け取る方法.....	52
8.4 Vendor ID MSB Register.....	26	10.3 サポート・リソース.....	52
8.5 Product ID LSB Register.....	27	10.4 Trademarks.....	52
8.6 Product ID MSB Register.....	27	10.5 静電気放電に関する注意事項.....	52
8.7 Device Configuration Register.....	28	10.6 用語集.....	52
8.8 Battery Charging Support Register.....	29	11 Revision History	52
8.9 Device Removable Configuration Register.....	29	12 Mechanical, Packaging, and Orderable Information	52
8.10 Port Used Configuration Register.....	30		

4 Device Variants

The following table describes the key differences between TUSB8042A device variants.

表 4-1. Device Variant Information

ORDERABLE DEVICE	PACKAGE TYPE	PACKAGE DRAWING	PINS	DEVICE MARKING
TUSB8042ARGCR/T	VQFN	RGC	64	TUSB8042A
TUSB8042A1RGCR/T	VQFN	RGC	64	TUSB8042A1

4.1 Device Version Comparison

表 4-2. Register Comparison Table

	REGISTER ADDRESS	TUSB8042A DEFAULT	TUSB8042A1 DEFAULT
Device Configuration Register (表 8-7) bit 2 (u1u2TimerOvr)	0x5	0	1

5 Pin Configuration and Functions

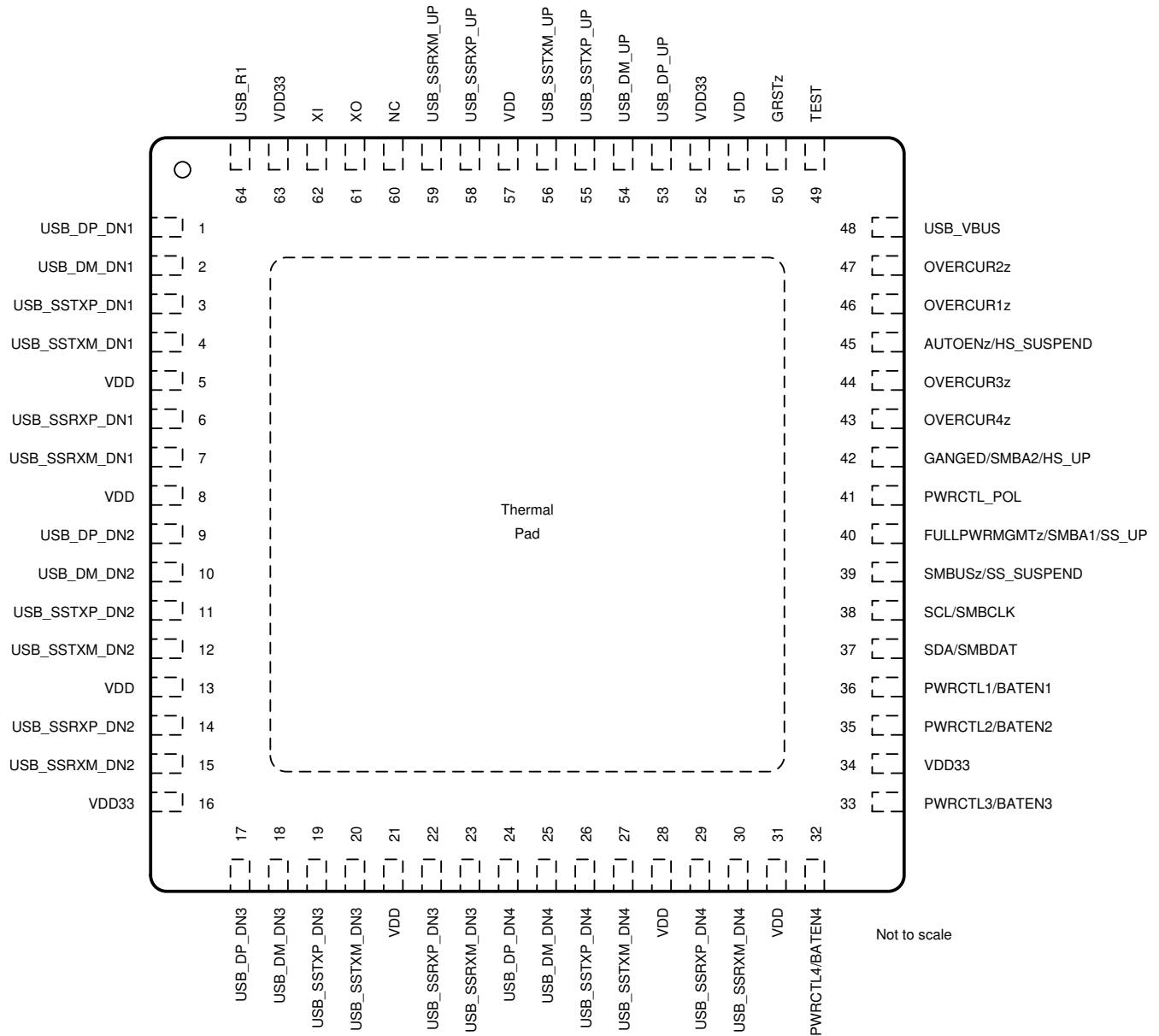


図 5-1. RGC Package 64-Pin (VQFN) (Top View)

表 5-1. Pin Functions

PIN		I/O	DESCRIPTION
NAME	NO.		
Clock and Reset Signals			
GRSTz	50	I, PU	Global power reset. This reset brings all of the TUSB8042A internal registers to the default states. When GRSTz is asserted, the device is completely nonfunctional.
XI	62	I	Crystal input. This pin is the crystal input for the internal oscillator. The input can alternately be driven by the output of an external oscillator. When using a crystal, a 1MΩ feedback resistor is required between XI and XO.
XO	61	O	Crystal output. This pin is the crystal output for the internal oscillator. If XI is driven by an external oscillator, this pin can be left unconnected. When using a crystal, a 1MΩ feedback resistor is required between XI and XO.

表 5-1. Pin Functions (続き)

PIN		I/O	DESCRIPTION
NAME	NO.		
USB Upstream Signals			
USB_SSTXP_UP	55	O	USB SuperSpeed transmitter differential pair (positive)
USB_SSTXM_UP	56	O	USB SuperSpeed transmitter differential pair (negative)
USB_SSRXP_UP	58	I	USB SuperSpeed receiver differential pair (positive)
USB_SSRXM_UP	59	I	USB SuperSpeed receiver differential pair (negative)
USB_DP_UP	53	I/O	USB High-speed differential transceiver (positive)
USB_DM_UP	54	I/O	USB High-speed differential transceiver (negative)
USB_R1	64	I	Precision resistor reference. Connect a 9.53kΩ ±1% resistor between USB_R1 and GND.
USB_VBUS	48	I	USB upstream port power monitor. The VBUS detection requires a voltage divider. The signal USB_VBUS must be connected to VBUS through a 90.9kΩ ±1% resistor, and to ground through a 10kΩ ±1% resistor from the signal to ground.
USB Downstream Signals			
USB_SSTXP_DN1	3	O	USB SuperSpeed transmitter differential pair (positive)
USB_SSTXM_DN1	4	O	USB SuperSpeed transmitter differential pair (negative)
USB_SSRXP_DN1	6	I	USB SuperSpeed receiver differential pair (positive)
USB_SSRXM_DN1	7	I	USB SuperSpeed receiver differential pair (negative)
USB_DP_DN1	1	I/O	USB High-speed differential transceiver (positive)
USB_DM_DN1	2	I/O	USB High-speed differential transceiver (negative)
PWRCTL1/BATEN1	36	I/O, PD	<p>USB Port 1 Power On Control for Downstream Power/Battery Charging Enable. The pin is used for control of the downstream power switch for Port 1. This pin be left unconnected if power management is not implemented.</p> <p>In addition, the value of the pin is sampled at the deassertion of reset to determine the value of the battery charging support for Port 1 as indicated in the Battery Charging Support register:</p> <ul style="list-style-type: none"> 0 = Battery charging not supported 1 = Battery charging supported
OVERCUR1z	46	I, PU	<p>USB Port 1 Overcurrent Detection. This pin is typically connected to the overcurrent output of the downstream port power switch for Port 1.</p> <ul style="list-style-type: none"> 0 = An overcurrent event has occurred 1 = An overcurrent event has not occurred <p>When GANGED power management is enabled, this pin or one of the other OVERCURz pins must be connected to the overcurrent output of the power switch or circuit which detects the overcurrent conditions. For the case when another OVERCURz pin is used, this pin can be left unconnected.</p>
USB_SSTXP_DN2	11	O	USB SuperSpeed transmitter differential pair (positive)
USB_SSTXM_DN2	12	O	USB SuperSpeed transmitter differential pair (negative)
USB_SSRXP_DN2	14	I	USB SuperSpeed receiver differential pair (positive)
USB_SSRXM_DN2	15	I	USB SuperSpeed receiver differential pair (negative)
USB_DP_DN2	9	I/O	USB High-speed differential transceiver (positive)
USB_DM_DN2	10	I/O	USB High-speed differential transceiver (negative)
PWRCTL2/BATEN2	35	I/O, PD	<p>USB Port 2 Power On Control for Downstream Power/Battery Charging Enable. The pin is used for control of the downstream power switch for Port 2. This pin be left unconnected if power management is not implemented.</p> <p>In addition, the value of the pin is sampled at the deassertion of reset to determine the value of the battery charging support for Port 2 as indicated in the Battery Charging Support register:</p> <ul style="list-style-type: none"> 0 = Battery charging not supported 1 = Battery charging supported

表 5-1. Pin Functions (続き)

PIN		I/O	DESCRIPTION
NAME	NO.		
OVERCUR2z	47	I, PU	<p>USB Port 2 Overcurrent Detection. This pin is typically connected to the overcurrent output of the downstream port power switch for Port 2.</p> <p>0 = An overcurrent event has occurred 1 = An overcurrent event has not occurred</p> <p>When GANGED power management is enabled, this pin or one of the other OVERCURz pins must be connected to the overcurrent output of the power switch or circuit which detects the overcurrent conditions. For the case when another OVERCURz pin is used, this pin can be left unconnected.</p>
USB_SSTXP_DN3	19	O	USB SuperSpeed transmitter differential pair (positive)
USB_SSTXM_DN3	20	O	USB SuperSpeed transmitter differential pair (negative)
USB_SSRXP_DN3	22	I	USB SuperSpeed receiver differential pair (positive)
USB_SSRXM_DN3	23	I	USB SuperSpeed receiver differential pair (negative)
USB_DP_DN3	17	I/O	USB High-speed differential transceiver (positive)
USB_DM_DN3	18	I/O	USB High-speed differential transceiver (negative)
PWRCTL3/BATEN3	33	I/O, PD	<p>USB Port 3 Power On Control for Downstream Power/Battery Charging Enable. The pin is used for control of the downstream power switch for Port 3. This pin be left unconnected if power management is not implemented.</p> <p>In addition, the value of the pin is sampled at the deassertion of reset to determine the value of the battery charging support for Port 3 as indicated in the Battery Charging Support register:</p> <p>0 = Battery charging not supported 1 = Battery charging supported</p>
OVERCUR3z	44	I, PU	<p>USB Port 3 Overcurrent Detection. This pin is typically connected to the overcurrent output of the downstream port power switch for Port 3.</p> <p>0 = An overcurrent event has occurred 1 = An overcurrent event has not occurred</p> <p>When GANGED power management is enabled, this pin or one of the other OVERCURz pins must be connected to the overcurrent output of the power switch or circuit which detects the overcurrent conditions. For the case when another OVERCURz pin is used, this pin can be left unconnected.</p>
USB_SSTXP_DN4	26	O	USB SuperSpeed transmitter differential pair (positive)
USB_SSTXM_DN4	27	O	USB SuperSpeed transmitter differential pair (negative)
USB_SSRXP_DN4	29	I	USB SuperSpeed receiver differential pair (positive)
USB_SSRXM_DN4	30	I	USB SuperSpeed receiver differential pair (negative)
USB_DP_DN4	24	I/O	USB High-speed differential transceiver (positive)
USB_DM_DN4	25	I/O	USB High-speed differential transceiver (negative)
PWRCTL4/BATEN4	32	I/O, PD	<p>USB Port 4 Power On Control for Downstream Power/Battery Charging Enable. The pin is used for control of the downstream power switch for Port 4. This pin be left unconnected if power management is not implemented.</p> <p>In addition, the value of the pin is sampled at the deassertion of reset to determine the value of the battery charging support for Port 4 as indicated in the Battery Charging Support register:</p> <p>0 = Battery charging not supported 1 = Battery charging supported</p>

表 5-1. Pin Functions (続き)

PIN		I/O	DESCRIPTION
NAME	NO.		
OVERCUR4z	43	I, PU	<p>USB Port 4 Overcurrent Detection. This pin is typically connected to the overcurrent output of the downstream port power switch for Port 4.</p> <p>0 = An overcurrent event has occurred 1 = An overcurrent event has not occurred</p> <p>When GANGED power management is enabled, this pin or one of the other OVERCURz pins must be connected to the overcurrent output of the power switch or circuit which detects the overcurrent conditions. For the case when another OVERCURz pin is used, this pin can be left unconnected.</p>
I²C/SMBUS I²C Signals			
SCL/SMBCLK	38	I/O, PD	<p>I²C clock/SMBus clock. Function of pin depends on the setting of the SMBUSz input.</p> <p>When SMBUSz = 1, this pin acts as the serial clock interface for an I²C EEPROM. When SMBUSz = 0, this pin acts as the serial clock interface for an SMBus host.</p> <p>Can be left unconnected if external interface not implemented.</p>
SDA/SMBDAT	37	I/O, PD	<p>I²C data/SMBus data. Function of pin depends on the setting of the SMBUSz input.</p> <p>When SMBUSz = 1, this pin acts as the serial data interface for an I²C EEPROM. When SMBUSz = 0, this pin acts as the serial data interface for an SMBus host.</p> <p>Can be left unconnected if external interface not implemented.</p>
SMBUSz/SS_SUSPEND	39	I/O, PU	<p>I²C/SMBus mode select/SuperSpeed USB Suspend Status. The value of the pin is sampled at the deassertion of reset set I²C or SMBus mode as follows:</p> <p>1 = I²C Mode Selected 0 = SMBus Mode Selected</p> <p>Can be left unconnected if external interface not implemented.</p> <p>After reset, this signal indicates the SuperSpeed USB Suspend status of the upstream port if enabled through the stsOutputEn bit in the Additional Feature Configuration register. When enabled, a value of 1 indicates the connection is suspended.</p>
Test and Miscellaneous Signals			
FULLPWRMGMTz/ FULLAUTOz/SMBAs1/ SS_UP	40	I/O, PD	<p>Full power management enable/SMBus address bit 1/SuperSpeed USB Connection Status Upstream port.</p> <p>The value of the pin is sampled at the deassertion of reset to set the power switch control follows:</p> <p>0 = Power switching and overcurrent inputs supported 1 = Power switching and overcurrent inputs not supported</p> <p>Full power management is the ability to control power to the downstream ports of the TUSB8042A using PWRCTL[4:1]/BATEN[4:1].</p> <p>If BATENx = 1 on any port, full power management must be enabled so the value of the terminal is sampled at the deassertion to initialize the value of the FULLAUTOz bit.</p> <p>When AUTOENz = 0 and FULLAUTOz = 0: all ACP modes are supported. When AUTOENz = 0 and FULLAUTOz = 1: only highest current ACP mode is used in auto mode.</p> <p>When SMBus mode is enabled, this pin sets the value of the SMBus target address bit 1.</p> <p>Can be left unconnected if full power management and SMBus are not implemented.</p> <p>After reset, this signal indicates the SuperSpeed USB connection status of the upstream port if enabled through the stsOutputEn bit in the Additional Feature Configuration register. When enabled a value of 1 indicates the upstream port is connected to a SuperSpeed USB capable port.</p> <p>Note: Power switching must be supported for battery charging applications.</p>

表 5-1. Pin Functions (続き)

PIN		I/O	DESCRIPTION
NAME	NO.		
PWRCTL_POL	41	I/O, PU	Power Control Polarity. The value of the pin is sampled at the deassertion of reset to set the polarity of PWRCTL[4:1]. 0 = PWRCTL polarity is active low 1 = PWRCTL polarity is active high
GANGED/SMBA2/ HS_UP	42	I/O, PD	Ganged operation enable/SMBus Address bit 2/HS Connection Status Upstream Port. The value of the pin is sampled at the deassertion of reset to set the power switch and overcurrent detection mode as follows: 0 = Individual power control supported when power switching is enabled 1 = Power control gangs supported when power switching is enabled When SMBus mode is enabled using SMBUSz, this pin sets the value of the SMBus target address bit 2. After reset, this signal indicates the High-speed USB connection status of the upstream port if enabled through the stsOutputEn bit in Additional Feature Configuration register. When enabled, a value of 1 indicates the upstream port is connected to a High-speed USB capable port. Note: Individual power control must be enabled for battery-charging applications.
AUTOENz/ HS_SUSPEND	45	I/O, PU	Automatic Charge Mode Enable/HS Suspend Status. The value of the pin is sampled at the deassertion of reset to determine if automatic mode is enabled as follows: 0 = Automatic Mode is enabled on ports that are enabled for battery charging when the hub is unconnected. Please note that CDP is not supported on Port 1 when operating in Automatic mode. 1 = Automatic Mode is disabled This value is also used to set the autoEnz bit in the Battery Charging Support Register. After reset, this signal indicates the High-speed USB Suspend status of the upstream port if enabled through the stsOutputEn bit in Additional Feature Configuration register. When enabled, a value of 1 indicates the connection is suspended.
TEST	49	I	This pin is reserved for factory test. For normal operation, this pin requires an external pulldown resistor to ground on PCB. Recommend 10k or stronger resistor.
Power and Ground Signals			
VDD	5, 8, 13, 21, 28, 31, 51, 57	PWR	1.1V power rail
VDD33	16, 34, 52, 63	PWR	3.3V power rail
VSS (Thermal Pad)		PWR	Ground. Thermal pad must be connected to ground.
NC	60	—	No connect, leave floating

6 Specifications

6.1 Absolute Maximum Ratings

over operating free-air temperature range (unless otherwise noted)⁽¹⁾

		MIN	MAX	UNIT
Supply voltage range	V _{DD} Supply voltage range	−0.3	1.4	V
	V _{DD33} Supply voltage range	−0.3	3.8	V
Voltage range	USB_SSRXP_UP, USB_SSRXN_UP, SSRXP_DN[4:1], USB_RXN_DP[4:1] and USB_VBUS terminals	−0.3	1.4	V
	XI terminal	−0.3	2.45	V
	All other terminals	−0.3	3.8	V
T _{stg}	Storage temperature	−65	150	°C

- (1) Operation outside the Absolute Maximum Ratings may cause permanent device damage. Absolute Maximum Ratings do not imply functional operation of the device at these or any other conditions beyond those listed under Recommended Operating Conditions. If used outside the Recommended Operating Conditions but within the Absolute Maximum Ratings, the device may not be fully functional, and this may affect device reliability, functionality, performance, and shorten the device lifetime.

6.2 ESD Ratings

			VALUE	UNIT
V _(ESD)	Electrostatic discharge	Human body model (HBM), per ANSI/ESDA/ JEDEC JS-001, all pins ⁽¹⁾	±2000	V
		Charged device model (CDM), per ANSI/ESDA/ JEDEC JS-002, all pins ⁽²⁾	±500	

- (1) JEDEC document JEP155 states that 500-V HBM allows safe manufacturing with a standard ESD control process.
(2) JEDEC document JEP157 states that 250-V CDM allows safe manufacturing with a standard ESD control process.

6.3 Recommended Operating Conditions

over operating free-air temperature range (unless otherwise noted)

		MIN	NOM	MAX	UNIT
V _{DD}	1.1V Supply voltage	0.99	1.1	1.26	V
V _{DD33}	3.3V Supply voltage	3.0	3.3	3.6	V
USB_VBUS	Voltage at USB_VBUS terminal.	0		1.155	V
T _A	TUSB8042A Ambient temperature	0		70	°C
T _A	TUSB8042AI Ambient temperature	−40		85	°C
T _J	Junction temperature	−40		105	°C

6.4 Thermal Information

THERMAL METRIC ⁽¹⁾		TUSB8042A		UNIT
		RGC		
		64 PINS		
R _{θJA}	Junction-to-ambient thermal resistance	26		°C/W
R _{θJC(top)}	Junction-to-case (top) thermal resistance	11.5		°C/W
R _{θJB}	Junction-to-board thermal resistance	5.3		°C/W
Ψ _{JT}	Junction-to-top characterization parameter	0.2		°C/W
Ψ _{JB}	Junction-to-board characterization parameter	5.2		°C/W
R _{θJC(bot)}	Junction-to-case (bottom) thermal resistance	1.0		°C/W

- (1) For more information about traditional and new thermal metrics, see the [Semiconductor and IC Package Thermal Metrics](#) application note.

6.5 Electrical Characteristics

over operating free-air temperature and voltage range (unless otherwise noted)

PARAMETER		TEST CONDITIONS	MIN	TYP	MAX	UNIT
Low Power Modes						
$I_{DD_PWRO\ N}$	V_{DD} current after power On (after reset)	$V_{DD} = 1.1V; V_{DD33} = 3.3V; T_A = 25^\circ C;$		18		mA
$I_{DD33_PW\ RON}$	V_{DD33} current after power On (after reset)	$V_{DD} = 1.1V; V_{DD33} = 3.3V; T_A = 25^\circ C;$		2		mA
$I_{DD_UPDIS\ C}$	V_{DD} current when upstream port is disconnected	$V_{DD} = 1.1V; V_{DD33} = 3.3V; T_A = 25^\circ C;$		21		mA
$I_{DD33_UPD\ ISC}$	V_{DD33} current when upstream port is disconnected	$V_{DD} = 1.1V; V_{DD33} = 3.3V; T_A = 25^\circ C;$		2		mA
$I_{DD_SUSP\ END}$	V_{DD} current in suspend	$V_{DD} = 1.1V; V_{DD33} = 3.3V; T_A = 25^\circ C;$		20		mA
$I_{DD33_SUS\ PEND}$	V_{DD33} current in suspend	$V_{DD} = 1.1V; V_{DD33} = 3.3V; T_A = 25^\circ C;$		2		mA
Active Power Modes (US State / DS State)						
$I_{DD_SMBU\ S}$	V_{DD} current during SMBus programming.	$V_{DD} = 1.1V; V_{DD33} = 3.3V; T_A = 25^\circ C;$		275		mA
$I_{DD33_SMB\ US}$	V_{DD33} current during SMBus programming	$V_{DD} = 1.1V; V_{DD33} = 3.3V; T_A = 25^\circ C;$		75		mA
$I_{DD_3H_1S\ S_0HS_U12}$	V_{DD} current upstream port connected to USB 3.0 Host, downstream port(s) connected to 1 SS device, and 0 HS device. Links in U1/U2.	$V_{DD} = 1.1V; V_{DD33} = 3.3V; T_A = 25^\circ C;$		215		mA
$I_{DD33_3H_1SS_0HS_U12}$	V_{DD33} current upstream port connected to USB 3.0 Host, downstream port(s) connected to 1 SS device, and 0 HS device. Links in U1/U2.	$V_{DD} = 1.1V; V_{DD33} = 3.3V; T_A = 25^\circ C;$		45		mA
$I_{DD_3H_1S\ S_0HS_U0}$	V_{DD} current upstream port connected to USB 3.0 Host, downstream port(s) connected to 1 SS device, and 0 HS device. Links in U0.	$V_{DD} = 1.1V; V_{DD33} = 3.3V; T_A = 25^\circ C;$		330		mA
$I_{DD33_3H_1SS_0HS_U0}$	V_{DD33} current upstream port connected to USB 3.0 Host, downstream port(s) connected to 1 SS device, and 0 HS device. Links in U0.	$V_{DD} = 1.1V; V_{DD33} = 3.3V; T_A = 25^\circ C;$		45		mA
$I_{DD_3H_2S\ S_0HS_U12}$	V_{DD} current upstream port connected to USB 3.0 Host, downstream port(s) connected to 2 SS devices, and 0 HS device. Links in U1/U2	$V_{DD} = 1.1V; V_{DD33} = 3.3V; T_A = 25^\circ C;$		301		mA
$I_{DD33_3H_2SS_0HS_U12}$	V_{DD33} current upstream port connected to USB 3.0 Host, downstream port(s) connected to 2 SS devices, and 0 HS device. Links in U1/U2	$V_{DD} = 1.1V; V_{DD33} = 3.3V; T_A = 25^\circ C;$		45		mA
$I_{DD_3H_2S\ S_0HS_U0}$	V_{DD} current upstream port connected to USB 3.0 Host, downstream port(s) connected to 2 SS devices, and 0 HS device. Links in U0.	$V_{DD} = 1.1V; V_{DD33} = 3.3V; T_A = 25^\circ C;$		440		mA
$I_{DD33_3H_2SS_0HS_U0}$	V_{DD33} current upstream port connected to USB 3.0 Host, downstream port(s) connected to 2 SS devices, and 0 HS device. Links in U0.	$V_{DD} = 1.1V; V_{DD33} = 3.3V; T_A = 25^\circ C;$		45		mA
$I_{DD_3H_3S\ S_0HS_U12}$	V_{DD} current upstream port connected to USB 3.0 Host, downstream port(s) connected to 3 SS devices, and 0 HS device. Links in U1/U2	$V_{DD} = 1.1V; V_{DD33} = 3.3V; T_A = 25^\circ C;$		360		mA

over operating free-air temperature and voltage range (unless otherwise noted)

PARAMETER		TEST CONDITIONS	MIN	TYP	MAX	UNIT
$I_{DD33_3H_3SS_0HS_U12}$	V_{DD33} current upstream port connected to USB 3.0 Host, downstream port(s) connected to 3 SS devices, and 0 HS device. Links in U1/U2	$V_{DD} = 1.1V; V_{DD33} = 3.3V; T_A = 25^\circ C;$		45		mA
$I_{DD_3H_3S_S_0HS_U0}$	V_{DD} current upstream port connected to USB 3.0 Host, downstream port(s) connected to 3 SS devices, and 0 HS device. Links in U0.	$V_{DD} = 1.1V; V_{DD33} = 3.3V; T_A = 25^\circ C;$		560		mA
$I_{DD33_3H_3SS_0HS_U0}$	V_{DD33} current upstream port connected to USB 3.0 Host, downstream port(s) connected to 3 SS devices, and 0 HS device. Links in U0.	$V_{DD} = 1.1V; V_{DD33} = 3.3V; T_A = 25^\circ C;$		45		mA
$I_{DD_3H_4S_S_0HS_U12}$	V_{DD} current upstream port connected to USB 3.0 Host, downstream port(s) connected to 4 SS devices, and 0 HS device. Links in U1/U2	$V_{DD} = 1.1V; V_{DD33} = 3.3V; T_A = 25^\circ C;$		467		mA
$I_{DD33_3H_4SS_0HS_U12}$	V_{DD33} current upstream port connected to USB 3.0 Host, downstream port(s) connected to 4 SS devices, and 0 HS device. Links in U1/U2	$V_{DD} = 1.1V; V_{DD33} = 3.3V; T_A = 25^\circ C;$		45		mA
$I_{DD_3H_4S_S_0HS_U0}$	V_{DD} current upstream port connected to USB 3.0 Host, downstream port(s) connected to 4 SS devices, and 0 HS device. Links in U0.	$V_{DD} = 1.1V; V_{DD33} = 3.3V; T_A = 25^\circ C;$		650		mA
$I_{DD33_3H_4SS_0HS_U0}$	V_{DD33} current upstream port connected to USB 3.0 Host, downstream port(s) connected to 4 SS devices, and 0 HS device. Links in U0.	$V_{DD} = 1.1V; V_{DD33} = 3.3V; T_A = 25^\circ C;$		45		mA
$I_{DD_3H_1S_S_1HS_U0}$	V_{DD} current upstream port connected to USB 3.0 Host, downstream port(s) connected to 1 SS device, and 1 HS device. Links in U0.	$V_{DD} = 1.1V; V_{DD33} = 3.3V; T_A = 25^\circ C;$		372		mA
$I_{DD33_3H_1SS_1HS_U0}$	V_{DD33} current upstream port connected to USB 3.0 Host, downstream port(s) connected to 1 SS devices, and 1 HS device. Links in U0.	$V_{DD} = 1.1V; V_{DD33} = 3.3V; T_A = 25^\circ C;$		84		mA
$I_{DD_3H_1S_S_2HS_U0}$	V_{DD} current upstream port connected to USB 3.0 Host, downstream port(s) connected to 2 SS device, and 2 HS device. Links in U0.	$V_{DD} = 1.1V; V_{DD33} = 3.3V; T_A = 25^\circ C;$		480		mA
$I_{DD33_3H_1SS_2HS_U0}$	V_{DD33} current upstream port connected to USB 3.0 Host, downstream port(s) connected to 2 SS devices, and 2 HS device. Links in U0.	$V_{DD} = 1.1V; V_{DD33} = 3.3V; T_A = 25^\circ C;$		95		mA
$I_{DD_2H_0S_S_1HS}$	V_{DD} current upstream port connected to USB 2.0 Host, downstream port(s) connected to 0 SS device, and 1 HS device.	$V_{DD} = 1.1V; V_{DD33} = 3.3V; T_A = 25^\circ C;$		45		mA
$I_{DD33_2H_0SS_1HS}$	V_{DD33} current upstream port connected to USB 2.0 Host, downstream port(s) connected to 0 SS devices, and 1 HS device.	$V_{DD} = 1.1V; V_{DD33} = 3.3V; T_A = 25^\circ C;$		45		mA
$I_{DD_2H_0S_S_4HS}$	V_{DD} current upstream port connected to USB 2.0 Host, downstream port(s) connected to 0 SS device, and 4 HS device.	$V_{DD} = 1.1V; V_{DD33} = 3.3V; T_A = 25^\circ C;$		74		mA

over operating free-air temperature and voltage range (unless otherwise noted)

PARAMETER		TEST CONDITIONS	MIN	TYP	MAX	UNIT
$I_{DD33_2H_0SS_4HS}$	V_{DD33} current upstream port connected to USB 2.0 Host, downstream port(s) connected to 0 SS devices, and 4 HS device.	$V_{DD} = 1.1V$; $V_{DD33} = 3.3V$; $T_A = 25^\circ C$;		76		mA
3.3V I/O						
V_{IH}	High-level input voltage ⁽¹⁾		2		3.6	V
V_{IL}	Low-level input voltage ⁽¹⁾		0		0.8	V
V_I	Input voltage		0		3.6	V
V_O	Output voltage ⁽²⁾		0		3.6	V
t_t	Input transition time (t_{RISE} and t_{FALL})				25	ns
V_{HYS}	Input hysteresis ⁽³⁾				$0.13 \times V_{DD33}$	V
V_{OH}	High-level output voltage	$I_{OH} = -4$ mA	2.4			V
V_{OL}	Low-level output voltage	$I_{OH} = 4$ mA			0.4	V
I_{OZP}	High-impedance output current with internal pullup or pulldown resistor. ⁽⁴⁾	$V_I = 0$ to V_{DD33} ;	-250		250	μA
I_I	Input current ⁽⁵⁾	$V_I = 0$ to V_{DD33} ;	-15		15	μA
R_{PD}	Internal pulldown resistance		13.5	19	27.5	k Ω
R_{PU}	Internal pullup resistance		14.5	19	25	k Ω

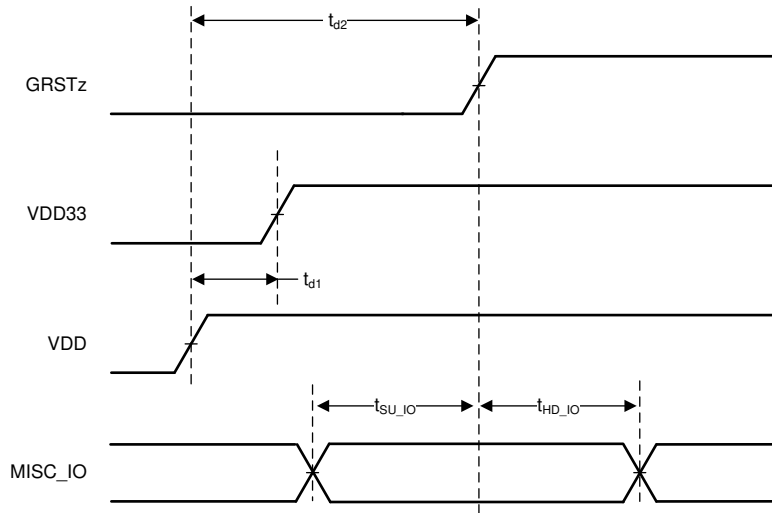
- (1) Applies to external inputs and bidirectional buffers
 (2) Applies to external outputs and bidirectional buffers
 (3) Applies to GRSTZ
 (4) Applies to pins with internal pullups/pulldowns.
 (5) Applies to external input buffers

6.6 Timing Requirements

		MIN	NOM	MAX	UNIT
Power-on timings. Refer to Figure 6-1					
t_{d1}	V_{DD} stable before V_{DD33} stable. ⁽²⁾ ⁽³⁾	0			ms
t_{d2}	V_{DD} and V_{DD33} before deassertion of GRSTZ.	3			ms
t_{su_io}	Setup for MISC inputs. ⁽¹⁾	0.1			μs
t_{hd_io}	Hold for MISC inputs. ⁽¹⁾	0.1			μs
$t_{VDD33_RAM_P}$	V_{DD33} supply ramp requirement.	0.2		100	ms
t_{VDD_RAMP}	V_{DD} supply ramp requirement.	0.2		100	ms

- (1) MISC pins sampled at deassertion of GRSTZ: BATEN[4:1], AUTOENz, FULLPWRMGMTz, GANGED, SMBUSz, and PWRCTL_POL.
 (2) As long as GRSTZ is deasserted after both supplies are stable, there is no power-on relationship between V_{DD33} and V_{DD} . If GRSTZ is only connected to a capacitor to GND, then V_{DD} must be stable minimum of 10 μs before V_{DD33} .
 (3) An active reset is required if the V_{DD33} supply is stable before V_{DD} supply. This active reset shall meet the 3 ms power-up delay counting from both power supplies stable to deassertion of GRSTZ.

6.7 Timing Diagrams



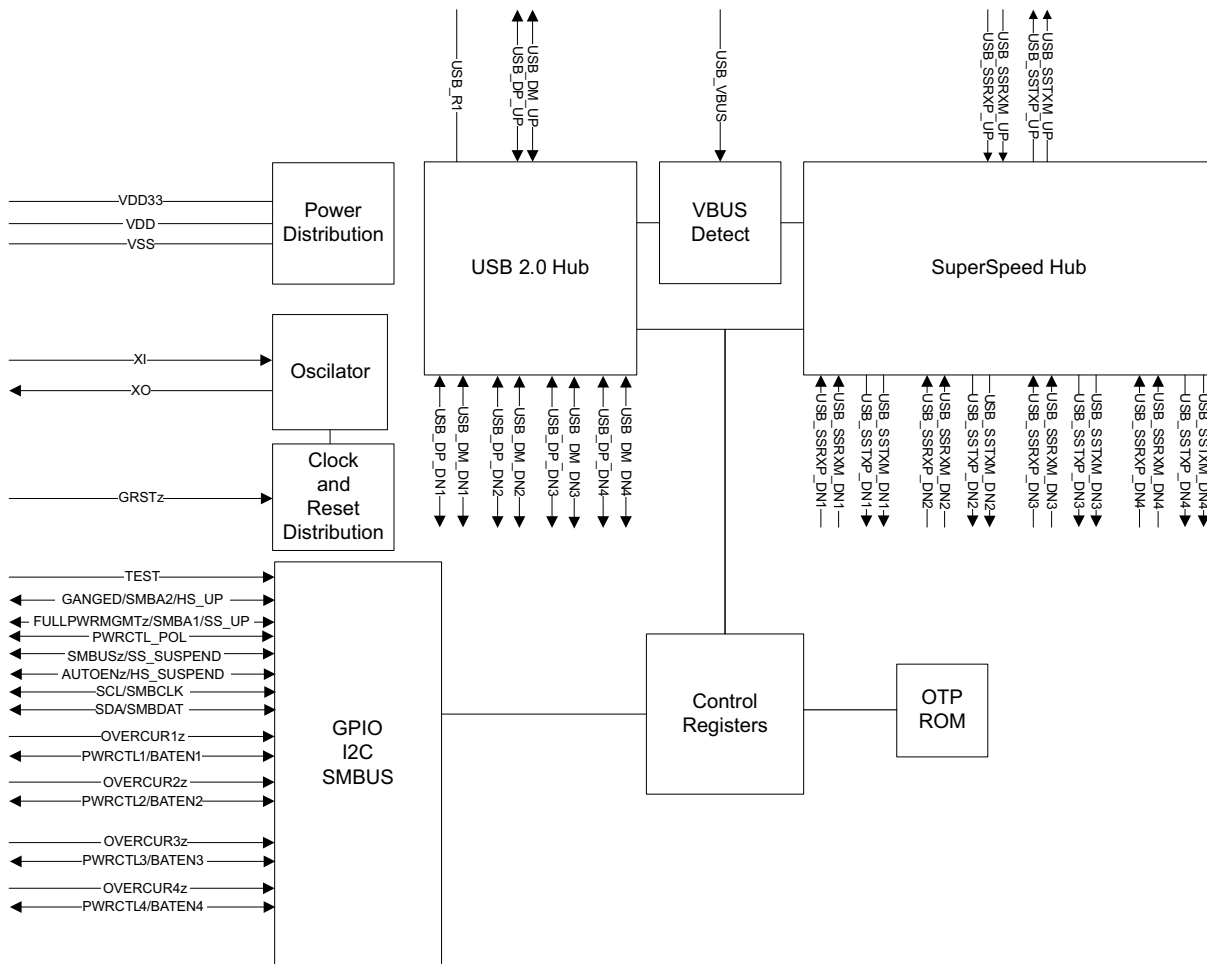
☒ 6-1. Power-Up Timing Requirements

7 Detailed Description

7.1 Overview

The TUSB8042A is a four-port USB 3.2 x1 Gen1-compliant hub. The device provides simultaneous SuperSpeed USB, high-speed, or full-speed connections on the upstream port. The device also provides SuperSpeed USB, high-speed, full-speed, or low-speed connections on the downstream port. When the upstream port is connected to an electrical environment that only supports high-speed, full-speed, or low-speed connections, SuperSpeed USB connectivity is disabled on the downstream ports. When the upstream port is connected to an electrical environment that only supports full-speed or low-speed connections, SuperSpeed USB and high-speed connectivity are disabled on the downstream ports.

7.2 Functional Block Diagram



7.3 Feature Description

7.3.1 Battery Charging Features

The TUSB8042A provides support for USB Battery Charging (BC1.2) and custom charging. Battery charging support can be enabled on a per port basis through the REG_6h(batEn[3:0]) or the BATEN[4:1] pins.

USB Battery charging support includes both Charging Downstream Port (CDP) and Dedicated Charging Port (DCP) modes. The DCP mode is compliant with the Chinese Telecommunications Industry Standard YD/T 1591-2009. CDP is enabled when the upstream port has detected valid VBUS, configured, and host sets port power. When the upstream port is not connected and battery charging support is enabled, the TUSB8042A enables DCP mode once all other battery modes such as ACPx have failed or are disabled.

In addition to USB Battery charging (BC1.2), the TUSB8042A supports custom charging indications: Divider Charging (ACP3, ACP2, ACP1 modes), and Galaxy compatible charging. These custom charging modes are only supported when upstream port is unconnected and AUTOMODE is enabled. AUTOMODE can be enabled either thru AUTOENZ pin or from Reg_0Ah bit 1 (autoModeEnz) . When in AUTOMODE and upstream port is disconnected, the port automatically transitions from ACP mode to the DCP mode depending on the portable device connected. The divider mode places a fixed DC voltage on the ports DP and DM signals which allows some devices to identify the capabilities of the charger. The default divider mode indicates support for up to 10W (ACP3). The divider mode can be configured to report a lower-current setting (up to 5 W) through REG_0Ah (HiCurAcpModeEn).

When the upstream port is not connected and battery charging support is enabled for a port, the TUSB8042A drives the port power enable active. If AUTOMODE is disabled, then DCP mode is used. If AUTOMODE is enabled and fully automatic mode is disabled (FullAutoEn bit is cleared (Reg_25h Bit 0) or FULLAUTOz pin = 0), then TUSB8042A starts with highest enabled divider current mode (ACPx). The TUSB8042A remains in highest current mode as long as a pullup is not detected on DP pin. If a pullup is detected on DP pin, then TUSB8042A drives the port power enable inactive and switch to Galaxy mode, if enabled, or to DCP mode if Galaxy mode is disabled. The TUSB8042A again drives the port power enable active. The TUSB8042A remains in Galaxy mode as long as no pullup is detected on DP pin. If a pullup is detected on DP pin, then TUSB8042A drives the port power enable inactive and transition to DCP mode. The TUSB8042A again drives the port power enable active. In DCP mode, the TUSB8042A looks for a pullup detected on DP pin or RxVdat. If a pullup or RxVdat is detected on DP, the TUSB8042A remains in DCP mode. If no pullup or RxVdat is detected on DP pin after 2 seconds, the TUSB8042A drives the port power enable inactive and transition back to ACPx mode. This sequence repeats until upstream port is connected.

When Automatic mode is enabled and full automatic mode is enabled (FullAutoEn Reg_25h bit 0 is set or FULLAUTOz pin = 1), TUSB8042A performs same sequence described in previous paragraph with the addition of attempting all supported ACPx modes before sequencing to Galaxy Mode (if enabled) or DCP mode.

The supported battery charging modes when TUSB8042A configured for SMBus or external EEPROM is detailed in [表 7-1](#).

The supported battery charging modes when TUSB8042A configured for I²C but without an external EEPROM is determined by the sampled state of the pins. These modes are detailed in [表 7-2](#).

表 7-1. TUSB8042A Battery Charging Modes with SMBus or I²C EEPROM

batEn[n] Reg_06h Bits 3:0	Upstream VBUS	HiCurAcpM ode En Reg_0Ah Bit 4	autoModeEnz Reg_0Ah Bit 1	FullAutoEn Reg_25h Bit 0	Galaxy_Enz Reg_25h Bit 1	Battery Charging Mode Port x (x = n + 1)
0	Don't Care	Don't Care	Don't Care	Don't Care	Don't Care	No Charging support
1	> 4V	Don't Care	Don't Care	Don't Care	Don't Care	CDP
1	< 4V	Don't Care	1	Don't Care	Don't Care	DCP
1	< 4V	Don't Care	0	1	1	AUTOMODE enabled. Sequences through all ACPx modes and DCP. Alternate ACP3, ACP2, ACP1, DCP
1	< 4V	0	0	0	1	AUTOMODE enabled. Sequences between ACP2 and DCP. Alternate ACP2, DCP
1	< 4V	1	0	0	1	AUTOMODE enabled. Sequences between ACP3 and DCP. Alternate ACP3, DCP
1	< 4V	Don't Care	0	1	0	AUTOMODE enabled with Galaxy compatible charging support. Alternate ACP3, ACP2, ACP1, Galaxy, DCP
1	< 4V	0	0	0	0	AUTOMODE enabled with Galaxy compatible charging support. Alternate ACP2, Galaxy, DCP
1	< 4V	1	0	0	0	AUTOMODE enabled with Galaxy compatible charging support. Alternate ACP3, Galaxy, DCP

表 7-2. TUSB8042A Battery Charging Modes without EEPROM

BATEN[3: 0] pins	Upstream VBUS	AUTOENZ pin	FULLAUTOZ pin	Battery Charging Mode Port x (x = n + 1)
0	Don't Care	Don't Care	Don't Care	No Charging support
1	> 4V	Don't Care	Don't Care	CDP
1	< 4V	1	0	DCP
1	< 4V	0	0	AUTOMODE enabled with Galaxy compatible charging support. Sequences through all ACPx modes. Alternate ACP3, ACP2, ACP1, Galaxy, DCP.
1	< 4V	0	1	AUTOMODE enabled with Galaxy compatible charging support. Alternate ACP3, Galaxy, DCP
1	< 4V	1	1	AUTOMODE enabled. Sequences through all ACPx modes. Alternate ACP3, ACP2, ACP1, DCP.

7.3.2 USB Power Management

The TUSB8042A can be configured for power switched applications using either per-port (Full power managed) or ganged power-enable controls and overcurrent status inputs. When battery charge is enabled, the TUSB8042A always functions in full power managed.

Power switch support is enabled by REG_5h (fullPwrMgmtz) and the per-port or ganged mode is configured by REG_5h (ganged).

The TUSB8042A supports both active high and active low power-enable controls. The PWRCTL[4:1] polarity is configured by REG_Ah (pwrctlPol). The power control polarity can also be selected by the PWRCTL_POL pin.

7.3.3 One-Time Programmable (OTP) Configuration

The TUSB8042A allows device configuration through one-time programmable non-volatile memory (OTP). The programming of the OTP is supported using vendor-defined USB device requests. For details using the OTP features please contact your TI representative.

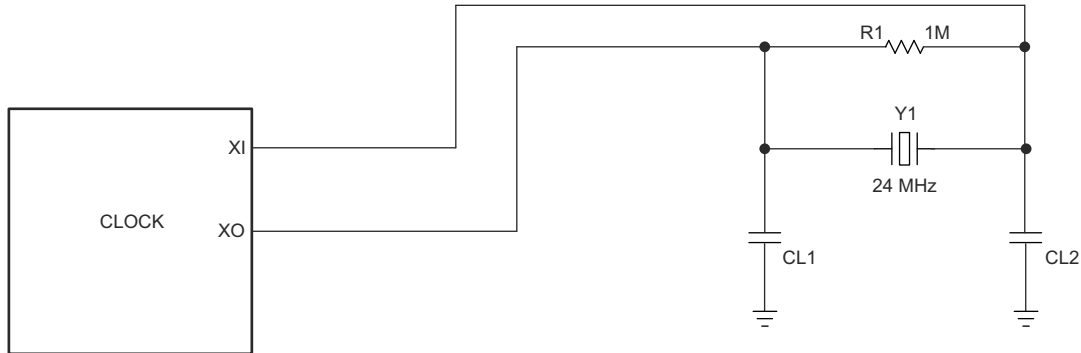
表 7-3 provides a list features which can be configured using the OTP.

表 7-3. OTP Configurable Features

CONFIGURATION REGISTER OFFSET	BIT FIELD	DESCRIPTION
REG_01h	[7:0]	Vendor ID LSB
REG_02h	[7:0]	Vendor ID MSB
REG_03h	[7:0]	Product ID LSB
REG_04h	[7:0]	Product ID MSB
REG_07h	[0]	Port removable configuration for downstream ports 1. OTP configuration is inverse of rmb1[3:0]; that is, 1 = not removable, 0 = removable.
REG_07h	[1]	Port removable configuration for downstream ports 2. OTP configuration is inverse of rmb1[3:0]; that is, 1 = not removable, 0 = removable.
REG_07h	[2]	Port removable configuration for downstream ports 3. OTP configuration is inverse of rmb1[3:0]; that is, 1 = not removable, 0 = removable.
REG_07h	[3]	Port removable configuration for downstream ports 4. OTP configuration is inverse of rmb1[3:0]; that is, 1 = not removable, 0 = removable.
REG_08h	[3:0]	Port used Configured register.
REG_0Ah	[1]	Battery Charger Automatic Mode enable.
REG_0Ah	[4]	High-current divider mode enable.
REG_0Bh	[0]	USB 2.0 port polarity configuration for upstream port.
REG_0Bh	[1]	USB 2.0 port polarity configuration for downstream ports 1.
REG_0Bh	[2]	USB 2.0 port polarity configuration for downstream ports 2.
REG_0Bh	[3]	USB 2.0 port polarity configuration for downstream ports 3.
REG_0Bh	[4]	USB 2.0 port polarity configuration for downstream ports 4.
REG_25h	[4:0]	Device Configuration Register 3
REG_26h	[3:0]	USB2.0 Only Port Register
REG_F0h	[3:1]	USB BC power switch power off duration during automode.

7.3.4 Clock Generation

The TUSB8042A accepts a crystal input to drive an internal oscillator or an external clock source. If a clock is provided to XI instead of a crystal, XO is left open. Otherwise, if a crystal is used, the connection must follow the guidelines below. The XI and XO are coupled to other leads and supplies on the PCB, therefore it is important to keep them as short as possible and away from any switching leads. TI also recommends to minimize the capacitance between XI and XO by shielding C1 and C2 with the clean ground lines.



7-1. TUSB8042A Clock

7.3.5 Crystal Requirements

The crystal must be fundamental mode with load capacitance of 12pF to 24pF and frequency stability rating of ± 100 PPM or better. To ensure proper start-up oscillation condition, a maximum crystal equivalent series resistance (ESR) of 50 Ω is recommended. Use a parallel load capacitor if a crystal source is used. The exact load capacitance value used depends on the crystal vendor. Refer to the [Selection and Specification for Crystals for Texas Instruments USB2.0 Devices application note](#) for details on how to determine the load capacitance value.

7.3.6 Input Clock Requirements

When using an external clock source such as an oscillator, make sure the reference clock has ± 100 PPM or better frequency stability, less than 50ps absolute peak-to-peak jitter, or less than 25ps peak-to-peak jitter after applying the USB 3.2 Gen1 jitter transfer function. TI recommends to tie XI to the 1.8V clock source and to leave the XO floating.

7.3.7 Power-Up and Reset

The TUSB8042A does not have specific power sequencing requirements with respect to the core power (VDD) or I/O and analog power (VDD33) as long as GRSTz is held in an asserted state while supplies ramp. The core power (VDD) or I/O power (VDD33) can be powered up for an indefinite period of time while the other is not powered up if all of these constraints are met:

- All maximum ratings and recommended operating conditions are observed.
- All warnings about exposure to maximum rated and recommended conditions are observed, particularly junction temperature. These apply to power transitions as well as normal operation.
- Bus contention while VDD33 is powered up must be limited to 100 hours over the projected life-time of the device.
- Bus contention while VDD33 is powered down may violate the absolute maximum ratings.

A supply bus is powered up when the voltage is within the recommended operating range. The supply bus is powered down when the voltage is below that range, either stable or in transition.

A minimum reset duration of 3ms is required. This is defined as the time when the power supplies are in the recommended operating range to the deassertion of GRSTz. This can be generated using programmable-delay supervisory device or using an RC circuit. When a RC circuit is used, the external capacitor size chosen must be large enough to meet the 3ms minimum duration requirement. The R of the RC circuit is the internal R_{PU} .

7.4 Device Functional Modes

7.4.1 External Configuration Interface

The TUSB8042A supports a serial interface for configuration register access. The device can be configured by an attached I²C EEPROM or accessed as a target by an external SMBus controller. The external interface is enabled when both the SCL/SMBCLK and SDA/SMBDAT pins are pulled up to 3.3V at the deassertion of reset. The mode, I²C controller or SMBus target, is determined by the state of SMBUSz/SS_SUSPEND pin at reset.

7.4.2 I²C EEPROM Operation

The TUSB8042A supports a single-controller, standard mode (100KHz) or fast mode (400KHz) connection to a dedicated I²C EEPROM when the I²C interface mode is enabled. In I²C mode, the TUSB8042A reads the contents of the EEPROM at bus address 1010000b using 7-bit addressing starting at address 0. The TUSB8042A reads the entire EEPROM contents using a single burst read transaction. The burst read transaction ends when the address reaches FFh .

If the value of the EEPROM contents at address byte 00h equals 55h, the TUSB8042A loads the configuration registers according to the EEPROM map. If the first byte is not 55h, the TUSB8042A exits the I²C mode and continues execution with the default values in the configuration registers. The hub is not connect on the upstream port until the configuration is completed.

注

The bytes located above offset Ah are optional. The requirement for data in those addresses is dependent on the options configured in the Device Configuration, and Device Configuration 2 registers.

The minimum size I²C EEPROM required is 2Kbit.

For details on I²C operation refer to the UM10204 I²C-bus Specification and User Manual.

7.4.3 Port Configuration

The TUSB8042A port configurations can be selected by registers or efuse. The Port Used Configuration register (USED[3:0]) define how many ports can possibly be reported by the hub. The device removable configuration register (RMBL[3:0]) define if the ports that USB 3.2 are reported as used have permanently connected devices or not. The USB 2.0 Only Port register (USB2_ONLY[3:0]) define whether or not a used port is reported as part of the USB 2.0 hub or both the USB2.0 and SS hubs. The USB2_ONLY field enables the USB2.0 port even if the corresponding USED bit is low. [表 7-4](#) shows examples of the possible combinations.

表 7-4. TUSB8042A Downstream Port Configuration Examples

USED[3:0]	RMBL[3:0]	USB2_ONLY [3:0]	Reported Port Configuration	Physical to Logical Port mapping
1111	1111	0000	4 Port USB 3.2 Hub 4 Port USB2.0 Hub	Physical1 => Logical Port1 for USB 3.2 and USB2.0. Physical2 => Logical Port2 for USB 3.2 and USB2.0. Physical3 => Logical Port3 for USB 3.2 and USB2.0. Physical4 => Logical Port4 for USB 3.2 and USB2.0.
1110	1111	0000	3 Port USB 3.2 Hub 3 Port USB2.0 Hub	Physical1 Not used. Physical2 => Logical Port1 for USB 3.2 and USB2.0. Physical3 => Logical Port2 for USB 3.2 and USB2.0. Physical4 => Logical Port3 for USB 3.2 and USB2.0.
1100	0111	0000	2 Port USB 3.2 Hub 2 Port USB2.0 hub with permanently attached device on Port 2	Physical1 Not used. Physical2 Not used. Physical3 => Logical Port1 for USB 3.2 and USB2.0. Physical4 => Logical Port2 for USB 3.2 and USB2.0.
0011	1111	0010	1 Port USB 3.2 Hub 2 Port USB 2.0 Hub	Physical1 => Logical Port1 for USB 3.2 and USB2.0. Physical2 => Logical Port2 for USB2.0. Physical3 Not Used. Physical4 Not used.
1000	1111	0010	1 Port USB 3.2 Hub 2 Port USB 2.0 Hub	Physical1 Not used. Physical2 => Logical Port2 for USB2.0. Physical3 Not used Physical4 => Logical Port1 for USB 3.2 and USB2.0.
1111	1111	1110	1 Port USB 3.2 Hub 4 Port USB 2.0 Hub	Physical1 => Logical Port1 for USB 3.2 and USB2.0. Physical2 => Logical Port2 for USB2.0. Physical3 => Logical Port3 for USB2.0. Physical4 => Logical Port4 for USB2.0.

7.4.4 SMBus Target Operation

When the SMBus interface mode is enabled, the TUSB8042A supports read block and write block protocols as a target-only SMBus device.

The TUSB8042A target address is 1000 1xyz, where:

- x is the state of GANGED/SMBA2/HS_UP pin at reset,
- y is the state of FULLPWRMGMTz/SMBA1/SS_UP pin at reset, and
- z is the read/write bit; 1 = read access, 0 = write access.

For details on SMBus requirements, refer to the System Management Bus Specification.

注

If the TUSB8042A is addressed by a host using an unsupported protocol, the device does not respond. The TUSB8042A waits indefinitely for configuration by the SMBus host and does not connect on the upstream port until the SMBus host indicates configuration is complete by clearing the CFG_ACTIVE bit.

8 Register Maps

8.1 Configuration Registers

The internal configuration registers are accessed on byte boundaries. The configuration register values are loaded with defaults but can be overwritten when the TUSB8042A is in I²C or SMBus mode. Refer to 表 7-3 for registers configurable from OTP.

表 8-1. TUSB8042A Register Map

BYTE ADDRESS	CONTENTS	EEPROM CONFIGURABLE
00h	ROM Signature Register	Yes
01h	Vendor ID LSB	Yes
02h	Vendor ID MSB	Yes
03h	Product ID LSB	Yes
04h	Product ID MSB	Yes
05h	Device Configuration Register	Yes
06h	Battery Charging Support Register	Yes
07h	Device Removable Configuration Register	Yes
08h	Port Used Configuration Register	Yes
09h	Reserved. Must default to 00h.	Yes
0Ah	Device Configuration Register 2	Yes
0Bh	USB 2.0 Port Polarity Control Register	Yes
0Ch-0Fh	Reserved	No
10h-1Fh	UUID Byte [15:0]	No
20h-21h	LangID Byte [1:0]	Yes
22h	Serial Number Length	Yes
23h	Manufacturer String Length	Yes
24h	Product String Length	Yes
25h	Device Configuration Register 3	Yes
26h	USB 2.0 Only Port Register	Yes
27h-2Eh	Reserved	Yes
2Fh	Reserved	No
30h-4Fh	Serial Number String Byte [31:0]	Yes
50h-8Fh	Manufacturer String Byte [63:0]	Yes
90h-CFh	Product String Byte [63:0]	Yes
D0h-D4h	Reserved	Yes, but do not change default.
D5h-D7h	Reserved	No
D8h-DCh	Reserved	Yes, but do not change default.
DDh-EFh	Reserved	No
F0h	Additional Features Configuration Register	Yes
F1h-F7h	Reserved	No
F8h	SMBus Device Status and Command Register	No
F9h - FFh	Reserved	No

8.2 ROM Signature Register

図 8-1. Register Offset 0h

Bit No.	7	6	5	4	3	2	1	0
Reset State	0	0	0	0	0	0	0	0

表 8-2. Bit Descriptions – ROM Signature Register

Bit	Field	Type	Description
7:0	romSignature	RW	ROM Signature Register. This register is used by the TUSB8042A in I ² C mode to validate the attached EEPROM has been programmed. The first byte of the EEPROM is compared to the mask 55h and if not a match, the TUSB8042A aborts the EEPROM load and executes with the register defaults.

8.3 Vendor ID LSB Register

図 8-2. Register Offset 1h

Bit No.	7	6	5	4	3	2	1	0
Reset State	0	1	0	1	0	0	0	1

表 8-3. Bit Descriptions – Vendor ID LSB Register

Bit	Field	Type	Description
7:0	vendorIdLsb	RO/RW	Vendor ID LSB. Least significant byte of the unique vendor ID assigned by the USB-IF; the default value of this register is 51h representing the LSB of the TI Vendor ID 0451h. The value can be overwritten to indicate a customer Vendor ID. Value used for this field is the non-zero value written by EEPROM/SMBus to both PID and VID. If a zero value is written by EEPROM/SMBus to both PID and VID, then value used for this field is the non-zero value from OTP. If a zero value is written by OTP, then value used for this field is 51h.

8.4 Vendor ID MSB Register

図 8-3. Register Offset 2h

Bit No.	7	6	5	4	3	2	1	0
Reset State	0	0	0	0	0	1	0	0

表 8-4. Bit Descriptions – Vendor ID MSB Register

Bit	Field	Type	Description
7:0	vendorIdMsb	RO/RW	Vendor ID MSB. Most significant byte of the unique vendor ID assigned by the USB-IF; the default value of this register is 04h representing the MSB of the TI Vendor ID 0451h. The value can be overwritten to indicate a customer Vendor ID. Value used for this field is the non-zero value written by EEPROM/SMBus to both PID and VID. If a zero value is written by EEPROM/SMBus to both PID and VID, then value used for this field is the non-zero value from OTP. If a zero value is written by OTP, then value used for this field is 04h.

8.5 Product ID LSB Register

図 8-4. Register Offset 3h

Bit No.	7	6	5	4	3	2	1	0
Reset State	0	1	0	0	0	0	0	0

表 8-5. Bit Descriptions – Product ID LSB Register

Bit	Field	Type	Description
7:0	productIdLsb	RO/RW	<p>Product ID LSB. Least significant byte of the product ID assigned by Texas Instruments and reported in the SuperSpeed Device descriptor. the default value of this register is 40h representing the LSB of the SuperSpeed product ID assigned by Texas Instruments The value reported in the USB 2.0 Device descriptor is the value of this register bit wise XORed with 00000010b. The value can be overwritten to indicate a customer product ID.</p> <p>Value used for this field is the non-zero value written by EEPROM/ SMBus to both PID and VID. If a zero value is written by EEPROM/ SMBus to both PID and VID, then value used for this field is the non-zero value from OTP. If a zero value is written by OTP, then value used for this field is 40h .</p>

8.6 Product ID MSB Register

図 8-5. Register Offset 4h

Bit No.	7	6	5	4	3	2	1	0
Reset State	1	0	0	0	0	0	0	1

表 8-6. Bit Descriptions – Product ID MSB Register

Bit	Field	Type	Description
7:0	productIdMsb	RO/RW	<p>Product ID MSB. Most significant byte of the product ID assigned by Texas Instruments; the default value of this register is 82h representing the MSB of the product ID assigned by Texas Instruments. The value can be overwritten to indicate a customer product ID.</p> <p>Value used for this field is the non-zero value written by EEPROM/ SMBus to both PID and VID. If a zero value is written by EEPROM/ SMBus to both PID and VID, then value used for this field is the non-zero value from OTP. If a zero value is written by OTP, then value used for this field is 82h.</p>

8.7 Device Configuration Register

図 8-6. Register Offset 5h

Bit No.	7	6	5	4	3	2	1	0
Reset State	0	0	0	1	X	X	0	0

注

Reset state of REG_05h[1] for TUSB8042A is 0 and for TUSB8042A1 is 1.

表 8-7. Bit Descriptions – Device Configuration Register

Bit	Field	Type	Description
7	customStrings	RW	Custom strings enable. This bit controls the ability to write to the Manufacturer String Length, Manufacturer String, Product String Length, Product String, and Language ID registers 0 = The Manufacturer String Length, Manufacturer String, Product String Length, Product String, and Language ID registers are read only 1 = The Manufacturer String Length, Manufacturer String, Product String Length, Product String, and Language ID registers can be loaded by EEPROM or written by SMBus The default value of this bit is 0.
6	customSernum	RW	Custom serial number enable. This bit controls the ability to write to the serial number registers. 0 = The Serial Number String Length and Serial Number String registers are read only 1 = Serial Number String Length and Serial Number String registers can be loaded by EEPROM or written by SMBus The default value of this bit is 0.
5	u1u2Disable	RW	U1 U2 Disable. This bit controls the U1/U2 support. 0 = U1/U2 support is enabled 1 = U1/U2 support is disabled When U1/U2 support is disabled, the TUSB8042A does not initiate or accept any U1 or U2 requests on any port, upstream or downstream, unless the device receives or sends a Force_LinkPM_Accept LMP. After receiving or sending an FLPMA LMP, the device continues to enable U1 and U2 according to USB 3.2 protocol until the device gets a power-on reset or is disconnected on the upstream port. When the TUSB8042A is in I ² C mode, the TUSB8042A loads this bit from the contents of the EEPROM. When the TUSB8042A is in SMBUS mode, the value can be overwritten by an SMBus host.
4	RSVD	RO	Reserved. This bit is reserved and returns 1 when read.
3	ganged	RW	Ganged. This bit is loaded at the deassertion of reset with the value of the GANGED/SMBA2/HS_UP pin. 0 = When fullPwrMgmtz = 0, each port is individually power switched and enabled by the PWRCTL[4:1]/BATEN[4:1] pins 1 = When fullPwrMgmtz = 0, the power switch control for all ports is ganged and enabled by the PWRCTL[4:1]/BATEN1 pin When the TUSB8042A is in I ² C mode, the TUSB8042A loads this bit from the contents of the EEPROM. When the TUSB8042A is in SMBUS mode, the value can be overwritten by an SMBus host.
2	fullPwrMgmtz	RW	Full Power Management. This bit is loaded at the deassertion of reset with the value of the FULLPWRMGMTz/SMBA1/SS_UP pin. 0 = Port power switching status reporting is enabled 1 = Port power switching status reporting is disabled When the TUSB8042A is in I ² C mode, the TUSB8042A loads this bit from the contents of the EEPROM. When the TUSB8042A is in SMBUS mode, the value can be overwritten by an SMBus host.

表 8-7. Bit Descriptions – Device Configuration Register (続き)

Bit	Field	Type	Description
1	u1u2TimerOvr	RW	U1 U2 Timer Override. When this field is set, the TUSB8042A overrides the downstream ports U1/U2 timeout values set by USB 3.2 Host software. If software sets value in the range of 1h - FFh, the TUSB8042A uses the value of FFh. If software sets value to 0, then TUSB8042A uses value of 0. REG_09h [6] must be set to enable this feature.
0	RSVD	RO	Reserved. This field is reserved and returns 0 when read.

8.8 Battery Charging Support Register

図 8-7. Register Offset 6h

Bit No.	7	6	5	4	3	2	1	0
Reset State	0	0	0	0	X	X	X	X

表 8-8. Bit Descriptions – Battery Charging Support Register

Bit	Field	Type	Description
7:4	RSVD	RO	Reserved. Read only, returns 0 when read.
3:0	batEn[3:0]	RW	Battery Charger Support. The bits in this field indicate whether the downstream port implements the charging port features. 0 = The port is not enabled for battery charging support features 1 = The port is enabled for battery charging support features Each bit corresponds directly to a downstream port, that is batEn0 corresponds to downstream port 1 and batEN1 corresponds to downstream port 2. The default value for these bits are loaded at the deassertion of reset with the value of PWRCTL/BATEN[3:0]. When in I ² C/SMBus mode the bits in this field can be overwritten by EEPROM contents or by an SMBus host.

8.9 Device Removable Configuration Register

図 8-8. Register Offset 7h

Bit No.	7	6	5	4	3	2	1	0
Reset State	0	0	0	0	X	X	X	X

表 8-9. Bit Descriptions – Device Removable Configuration Register

Bit	Field	Type	Description
7	customRmbl	RW	Custom Removable. This bit controls selection of port removable bits, port used bits, and USB2_ONLY bits. 0 = rmb[3:0], used[3:0], and USB2_ONLY[3:0] are read only and the values are loaded from the OTP ROM 1 = rmb[3:0], used[3:0], and USB2_ONLY[3:0] are read/write and can be loaded by EEPROM or written by SMBus This bit can be written simultaneously with rmb[3:0].
6:4	RSVD	RO	Reserved. Read only, returns 0 when read.
3:0	rmb[3:0]	RO/RW	Removable. The bits in this field indicate whether a device attached to downstream ports 4 through 1 are removable or permanently attached. 0 = The device attached to the port is not removable 1 = The device attached to the port is removable Each bit corresponds directly to a downstream port n + 1, that is rmb0 corresponds to downstream port 1, rmb1 corresponds to downstream port 2, and so forth. This field is read only unless the customRmbl bit is set to 1. Otherwise the value of this field reflects the inverted values of the OTP ROM non_rmb[3:0] field.

8.10 Port Used Configuration Register

図 8-9. Register Offset 8h

Bit No.	7	6	5	4	3	2	1	0
Reset State	0	0	0	0	1	1	1	1

表 8-10. Bit Descriptions – Port Used Configuration Register

Bit	Field	Type	Description
7:4	RSVD	RO	Reserved. Read only.
3:0	used[3:0]	RO/RW	Used. The bits in this field indicate whether a port is enabled. 0 = The port is not used or disabled 1 = The port is used or enabled Each bit corresponds directly to a downstream port, that is used0 corresponds to downstream port 1, used1 corresponds to downstream port 2, and so forth. This field is read only unless the customRmbl bit is set to 1. When the corresponding USB2_ONLY bit is set, the USB2 port is used and enabled regardless of the bit programmed into this field.

8.11 Device Configuration Register 2

図 8-10. Register Offset Ah

Bit No.	7	6	5	4	3	2	1	0
Reset State	0	0	X	0	0	0	0	0

表 8-11. Bit Descriptions – Device Configuration Register 2

Bit	Field	Type	Description
7	Reserved	RO	Reserved. Read-only, returns 0 when read.
6	customBCfeatures	RW	Custom Battery Charging Feature Enable. This bit controls the ability to write to the battery charging feature configuration controls. 0 = The HiCurAcqModeEn is read only and the values are loaded from the OTP ROM. 1 = The HiCurAcqModeEn bit is read/write and can be loaded by EEPROM or written by SMBus. This bit can be written simultaneously with HiCurAcqModeEn.
5	pwrctlPol	RW	Power enable polarity. This bit is loaded at the deassertion of reset with the value of the PWRCTL_POL pin. 0 = PWRCTL polarity is active low 1 = PWRCTL polarity is active high When the TUSB8042A is in I ² C mode, the TUSB8042A loads this bit from the contents of the EEPROM. When the TUSB8042A is in SMBUS mode, the value can be overwritten by an SMBus host.
4	HiCurAcqModeEn	RO/RW	High-current ACP mode enable. This bit enables the high-current tablet charging mode when the automatic battery charging mode is enabled for downstream ports. 0 = High current divider mode disabled . High current is ACP2(default) 1 = High current divider mode enabled. High current mode is ACP3 This bit is read only unless the customBCfeatures bit is set to 1. If customBCfeatures is 0, the value of this bit reflects the value of the OTP ROM HiCurAcqModeEn bit.
3:2	Reserved	RW	Reserved. These registers are unused and returns whatever value was written.
1	autoModeEnz	RW	Automatic Mode Enable. This bit is loaded at the deassertion of reset with the value of the AUTOENZ/HS_SUSPEND pin. The automatic mode only applies to downstream ports with battery charging enabled when the upstream port is not connected. Under these conditions: 0 = Automatic mode battery charging features are enabled. 1 = Automatic mode is disabled; only Battery Charging DCP and CDP mode is supported. NOTE: When the upstream port is connected, Battery Charging CDP mode is supported on all ports that are enabled for battery charging support regardless of the value of this bit.
0	RSVD	RO	Reserved. Read only, returns 0 when read.

8.12 USB 2.0 Port Polarity Control Register

図 8-11. Register Offset Bh

Bit No.	7	6	5	4	3	2	1	0
Reset State	0	0	0	0	0	0	0	0

表 8-12. Bit Descriptions – USB 2.0 Port Polarity Control Register

Bit	Field	Type	Description
7	customPolarity	RW	Custom USB 2.0 Polarity. This bit controls the ability to write the p[4:0]_usb2pol bits. 0 = The p[4:0]_usb2pol bits are read only and the values are loaded from the OTP ROM. 1 = The p[4:0]_usb2pol bits are read/write and can be loaded by EEPROM or written by SMBus. This bit can be written simultaneously with the p[4:0]_usb2pol bits
6:5	RSVD	RO	Reserved. Read only, returns 0 when read.
4	p4_usb2pol	RO/RW	Downstream Port 4 DM/DP Polarity. This controls the polarity of the port. 0 = USB 2.0 port polarity is as documented by the pin out 1 = USB 2.0 port polarity is swapped from that documented in the pin out; that is, DM becomes DP and DP becomes DM. This bit is read only unless the customPolarity bit is set to 1. If customPolarity is 0 the value of this bit reflects the value of the OTP ROM p4_usb2pol bit.
3	p3_usb2pol	RO/RW	Downstream Port 3 DM/DP Polarity. This controls the polarity of the port. 0 = USB 2.0 port polarity is as documented by the pin out 1 = USB 2.0 port polarity is swapped from that documented in the pin out; that is, DM becomes DP and DP becomes DM. This bit is read only unless the customPolarity bit is set to 1. If customPolarity is 0 the value of this bit reflects the value of the OTP ROM p3_usb2pol bit.
2	p2_usb2pol	RO/RW	Downstream Port 2 DM/DP Polarity. This controls the polarity of the port. 0 = USB 2.0 port polarity is as documented by the pin out 1 = USB 2.0 port polarity is swapped from that documented in the pin out; that is, DM becomes DP and DP becomes DM. This bit is read only unless the customPolarity bit is set to 1. If customPolarity is 0 the value of this bit reflects the value of the OTP ROM p2_usb2pol bit.
1	p1_usb2pol	RORW	Downstream Port 1 DM/DP Polarity. This controls the polarity of the port. 0 = USB 2.0 port polarity is as documented by the pin out 1 = USB 2.0 port polarity is swapped from that documented in the pin out; that is, DM becomes DP and DP becomes DM. This bit is read only unless the customPolarity bit is set to 1. If customPolarity is 0 the value of this bit reflects the value of the OTP ROM p1_usb2pol bit.
0	p0_usb2pol	RO/RW	Upstream Port DM/DP Polarity. This controls the polarity of the port. 0 = USB 2.0 port polarity is as documented by the pin out 1 = USB 2.0 port polarity is swapped from that documented in the pin out; that is, DM becomes DP and DP becomes DM. This bit is read only unless the customPolarity bit is set to 1. If customPolarity is 0 the value of this bit reflects the value of the OTP ROM p0_usb2pol bit.

8.13 UUID Registers

図 8-12. Register Offset 10h-1Fh

Bit No.	7	6	5	4	3	2	1	0
Reset State	X	X	X	X	X	X	X	X

表 8-13. Bit Descriptions – UUID Byte N Register

Bit	Field	Type	Description
7:0	uuidByte[n]	RO	UUID byte N. The UUID returned in the Container ID descriptor. The value of this register is provided by the device and is meets the UUID requirements of Internet Engineering Task Force (IETF) RFC 4122 A UUID URN Namespace.

8.14 Language ID LSB Register

図 8-13. Register Offset 20h

Bit No.	7	6	5	4	3	2	1	0
Reset State	0	0	0	0	1	0	0	1

表 8-14. Bit Descriptions – Language ID LSB Register

Bit	Field	Type	Description
7:0	langIdLsb	RO/RW	Language ID least significant byte. This register contains the value returned in the LSB of the LANGID code in string index 0. The TUSB8042A only supports one language ID. The default value of this register is 09h representing the LSB of the LangID 0409h indicating English United States. When customStrings is 1, this field can be overwritten by the contents of an attached EEPROM or by an SMBus host.

8.15 Language ID MSB Register

図 8-14. Register Offset 21h

Bit No.	7	6	5	4	3	2	1	0
Reset State	0	0	0	0	0	0	0	0

表 8-15. Bit Descriptions – Language ID MSB Register

Bit	Field	Type	Description
7:0	langIdMsb	RO/RW	Language ID most significant byte. This register contains the value returned in the MSB of the LANGID code in string index 0. The TUSB8042A only supports one language ID. The default value of this register is 04h representing the MSB of the LangID 0409h indicating English United States. When customStrings is 1, this field can be overwritten by the contents of an attached EEPROM or by an SMBus host.

8.16 Serial Number String Length Register

図 8-15. Register Offset 22h

Bit No.	7	6	5	4	3	2	1	0
Reset State	0	0	0	1	1	0	0	0

表 8-16. Bit Descriptions – Serial Number String Length Register

Bit	Field	Type	Description
7:6	RSVD	RO	Reserved. Read only, returns 0 when read.
5:0	serNumStringLen	RO/RW	Serial number string length. The string length in bytes for the serial number string. The default value is 18h indicating that a 24 byte serial number string is supported. The maximum string length is 32 bytes. When customSernum is 1, this field can be overwritten by the contents of an attached EEPROM or by an SMBus host. When the field is non-zero, a serial number string of serNumStringLen bytes is returned at string index 1 from the data contained in the Serial Number String registers.

8.17 Manufacturer String Length Register

図 8-16. Register Offset 23h

Bit No.	7	6	5	4	3	2	1	0
Reset State	0	0	0	0	0	0	0	0

表 8-17. Bit Descriptions – Manufacturer String Length Register

Bit	Field	Type	Description
7	RSVD	RO	Reserved. Read only, returns 0 when read.
6:0	mfgStringLen	RO/RW	Manufacturer string length. The string length in bytes for the manufacturer string. The default value is 0, indicating that a manufacturer string is not provided. The maximum string length is 64 bytes. When customStrings is 1, this field can be overwritten by the contents of an attached EEPROM or by an SMBus host. When the field is non-zero, a manufacturer string of mfgStringLen bytes is returned at string index 3 from the data contained in the Manufacturer String registers.

8.18 Product String Length Register

図 8-17. Register Offset 24h

Bit No.	7	6	5	4	3	2	1	0
Reset State	0	0	0	0	0	0	0	0

表 8-18. Bit Descriptions – Product String Length Register

Bit	Field	Type	Description
7	RSVD	RO	Reserved. Read only, returns 0 when read.
6:0	prodStringLen	RO/RW	Product string length. The string length in bytes for the product string. The default value is 0, indicating that a product string is not provided. The maximum string length is 64 bytes. When customStrings is 1, this field can be overwritten by the contents of an attached EEPROM or by an SMBus host. When the field is non-zero, a product string of prodStringLen bytes is returned at string index 3 from the data contained in the Product String registers.

8.19 Device Configuration Register 3

図 8-18. Register Offset 25h

Bit No.	7	6	5	4	3	2	1	0
Reset State	0	0	0	0	0	0	0	0

表 8-19. Bit Descriptions – Device Configuration Register 3

Bit	Field	Type	Description
7:6	RSVD	RO	Reserved. Read only, returns 0 when read.
5	bcdUSB30	RW	This field when set forces SS hub to report bcdUSB = 3.0 instead of 3.2.
4	USB2.0_only	RW	USB 2.0 hub reports as 2.0 only. This bit disables the USB 2.0 hub from reporting 5Gbps support in the wSpeedsSupported field of the USB SS BOS SS device capability descriptor. This bit also disables the USB3.0 hub. This bit is read/write but the read value returned is the Boolean OR of this bit and the corresponding eFuse bit. If either bit is set, this feature is enabled.
3	USB2_DFP_UNCONF	RW	This field when set enables USB 2.0-defined Unconfigured state on DFPs.
2	I2C_100k	R/W	I ² C 100kHz. This bit controls the clock rate of the I ² C controller for both USB to I ² C requests. The EEPROM reads occurs at 400K unless eFuse is used to set the rate to 100k. This bit is read/write but the read value returned is the Boolean OR of this bit and the corresponding eFuse bit. If either bit is set, this feature is enabled.
1	Galaxy_Enz	R/W	Disable Galaxy compatible modes. When this field is high, Galaxy charging compatible mode does not included in AUTOMODE charger sequence. This bit is read/write but the read value returned is the Boolean OR of this bit and the corresponding eFuse bit. If either bit is set, this feature is disabled.
0	FullAutoEn	R/W	Enable all divider battery charging modes. When automode is enabled and this bit is set, any DS port enabled for battery charging attempts all divider battery charging modes before DCP, starting with the highest current option. The bit is writable, but the value read back is the Boolean OR of this bit and the corresponding eFuse control. If either bit is set, eFuse or this register, this feature is enabled.

8.20 USB 2.0 Only Port Register

図 8-19. Register Offset 26h

Bit No.	7	6	5	4	3	2	1	0
Reset State	0	0	0	0	0	0	0	0

表 8-20. Bit Descriptions – USB 2.0 Only Port Register

Bit	Field	Type	Description
7:4	RSVD	RO	Reserved. Read only.
3:0	USB2_ONLY[3:0]	RO/RW	USB 2.0 Only Ports. The bits in this field primarily indicate whether a port is enabled only for USB 2.0 operation. This field is read-only unless customRmbl bit is set. Also, these bits overrides the corresponding USED bit. A value of 0 indicates the hub port is enabled for both USB 3.2 and USB 2.0. A value of 1 indicates the hub port is enabled only for USB 2.0 operation.

8.21 Serial Number String Registers

図 8-20. Register Offset 30h-4Fh

Bit No.	7	6	5	4	3	2	1	0
Reset State	X	X	x	x	x	x	x	x

表 8-21. Bit Descriptions – Serial Number Registers

Bit	Field	Type	Description
7:0	serialNumber[n]	RO/RW	Serial Number byte N. The serial number returned in the Serial Number string descriptor at string index 1. The default value of these registers is assigned by TI. When customSernum is 1, these registers can be overwritten by EEPROM contents or by an SMBus host.

8.22 Manufacturer String Registers

図 8-21. Register Offset 50h-8Fh

Bit No.	7	6	5	4	3	2	1	0
Reset State	0	0	0	0	0	0	0	0

表 8-22. Bit Descriptions – Manufacturer String Registers

Bit	Field	Type	Description
7:0	mfgStringByte[n]	RW	Manufacturer string byte N. These registers provide the string values returned for string index 3 when mfgStringLen is greater than 0. The number of bytes returned in the string is equal to mfgStringLen. The programmed data is in UNICODE UTF-16LE encodings as defined by The Unicode Standard, Worldwide Character Encoding, Version 5.0.

8.23 Product String Registers

図 8-22. Register Offset 90h-CFh

Bit No.	7	6	5	4	3	2	1	0
Reset State	0	0	0	0	0	0	0	0

表 8-23. Bit Descriptions – Product String Byte N Register

Bit	Field	Type	Description
7:0	prodStringByte[n]	RO/RW	Product string byte N. These registers provide the string values returned for string index 2 when prodStringLen is greater than 0. The number of bytes returned in the string is equal to prodStringLen. The programmed data is in UNICODE UTF-16LE encodings as defined by The Unicode Standard, Worldwide Character Encoding, Version 5.0.

8.24 Additional Feature Configuration Register

図 8-23. Register Offset F0h

Bit No.	7	6	5	4	3	2	1	0
Reset State	0	0	0	0	0	0	0	0

表 8-24. Bit Descriptions – Additional Feature Configuration Register

Bit	Field	Type	Description
7:5	Reserved	RW	Reserved. This field defaults to 3'b000 and must not be changed.
4	stsOutputEn	RW	Status output enable. This field when set enables of the Status output signals, HS_UP, HS_SUSPEND, SS_UP, SS_SUSPEND. 0 = STS outputs are disabled. 1 = STS outputs are enabled. This bit can be loaded by EEPROM or overwritten by a SMBUS host.
3:1	pwrnTime	RW	Power On Delay Time. When the efuse_pwrnTime field is all 0s, this field sets the delay time from the removal disable of PWRCTL to the enable of PWRCTL when transitioning battery charging modes. For example, when disabling the power on a transition from ACP to DCP Mode. The nominal timing is defined as follows: $TPWRON_EN = (pwrnTime \times 1) \times 200ms \quad (1)$ This field can be overwritten by EEPROM contents or by an SMBus host.
0	usb3spreadDis	RW	USB3 Spread Spectrum Disable. This bit allows firmware to disable the spread spectrum function of the USB3 phy PLL. 0 = Spread spectrum function is enabled 1 = Spread spectrum function is disabled This bit can be loaded by EEPROM or overwritten by a SMBUS host.

8.25 SMBus Device Status and Command Register

☒ 8-24. Register Offset F8h

Bit No.	7	6	5	4	3	2	1	0
Reset State	0	0	0	0	0	0	0	0

表 8-25. Bit Descriptions – SMBus Device Status and Command Register

Bit	Field	Type	Description
7:2	RSVD	RO	Reserved. Read only, returns 0 when read.
1	smbusRst	RSU	SMBus interface reset. This bit loads the registers back to the GRSTz values. Note, that since this bit can only be set when in SMBus mode the cfgActive bit is also reset to 1. When the software sets this bit, the software must reconfigure the registers as necessary. This bit is set by writing a 1 and is cleared by hardware on completion of the reset. A write of 0 has no effect.
0	cfgActive	RCU	Configuration active. This bit indicates that configuration of the TUSB8042A is currently active. The bit is set by hardware when the device enters the I ² C or SMBus mode. The TUSB8042A shall not connect on the upstream port while this bit is 1. When in I ² C mode, the bit is cleared by hardware when the TUSB8042A exits the I ² C mode. When in the SMBus mode, this bit must be cleared by the SMBus host to exit the configuration mode and allow the upstream port to connect. The bit is cleared by a writing 1. A write of 0 has no effect.

9 Application and Implementation

注

以下のアプリケーション情報は、TI の製品仕様に含まれるものではなく、TI ではその正確性または完全性を保証いたしません。個々の目的に対する製品の適合性については、お客様の責任で判断していただくこととなります。お客様は自身の設計実装を検証しテストすることで、システムの機能を確認する必要があります。

9.1 Application Information

The TUSB8042A is a four-port USB 3.2 x1 Gen1-compliant hub. The device provides simultaneous SuperSpeed USB, high-speed, or full-speed connections on the upstream port. The device also provides SuperSpeed USB, high-speed, full-speed, or low-speed connections on the downstream port. The TUSB8042A can be used in any application that requires additional USB-compliant ports. For example, a specific notebook may only have two downstream USB ports. By using the TUSB8042A, the notebook can increase the downstream port count to five.

9.2 Typical Application

9.2.1 Discrete USB Hub Product

A common application for the TUSB8042A is as a self-powered, standalone USB hub product. The product is powered by an external 5V DC Power adapter. In this application, using a USB cable TUSB8042A upstream port is plugged into a USB Host controller. The downstream ports of the TUSB8042A are exposed to users for connecting USB hard drives, cameras, flash drives, and so forth.

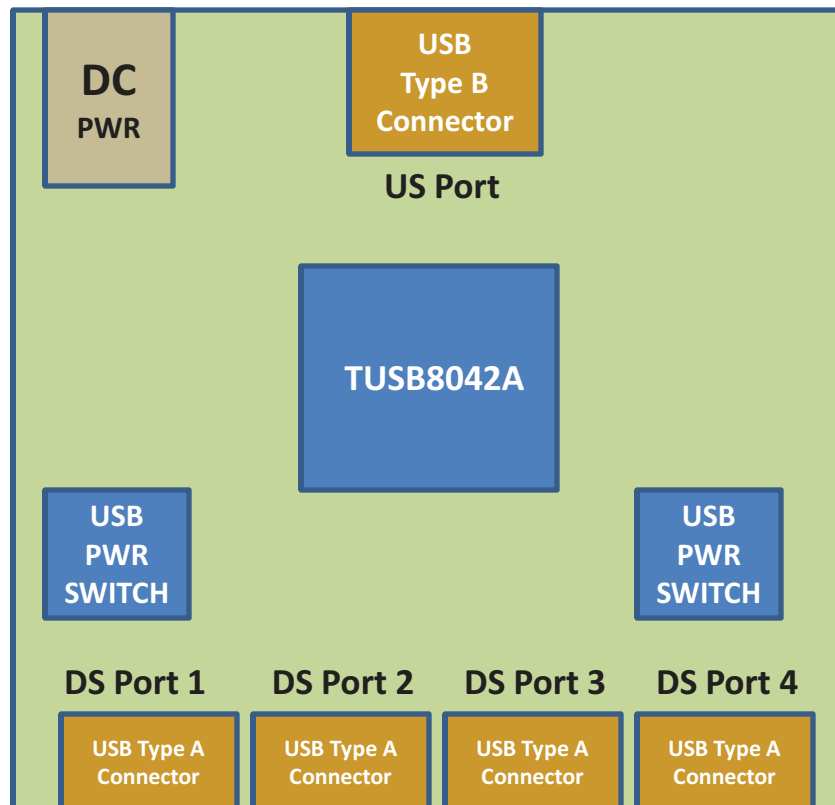


図 9-1. Discrete USB Hub Product

9.2.1.1 Design Requirements

表 9-1. Design Parameters

DESIGN PARAMETER	EXAMPLE VALUE
VDD Supply	1.1V
VDD33 Supply	3.3V
Upstream Port USB Support (SS, HS, FS)	SS, HS, FS
Downstream Port 1 USB Support (SS, HS, FS, LS)	SS, HS, FS, LS
Downstream Port 2 USB Support (SS, HS, FS, LS)	SS, HS, FS, LS
Downstream Port 3 USB Support (SS, HS, FS, LS)	SS, HS, FS, LS
Downstream Port 4 USB Support (SS, HS, FS, LS)	SS, HS, FS, LS
Number of Removable external exposed Downstream Ports	4
Number of Non-Removable external exposed Downstream Ports	0
Full Power Management of Downstream Ports	Yes. (FULLPWRMGMTZ = 0)
Individual Control of Downstream Port Power Switch	Yes. (GANGED = 0)
Power Switch Enable Polarity	Active High. (PWRCTL_POL = 1)
Battery Charge Support for Downstream Port 1	Yes
Battery Charge Support for Downstream Port 2	Yes
Battery Charge Support for Downstream Port 3	Yes
Battery Charge Support for Downstream Port 4	Yes
I ² C EEPROM Support	No
24MHz Clock Source	Crystal

9.2.1.2 Detailed Design Procedure

9.2.1.2.1 Upstream Port Implementation

The upstream of the TUSB8042A is connected to a USB3 Type-B connector. This particular example has GANGED pin and FULLPWRMGMTZ pin pulled low which results in individual power support each downstream port. The VBUS signal from the USB3 Type-B connector is feed through a voltage divider. The purpose of the voltage divider is to make sure the level meets USB_VBUS input requirements

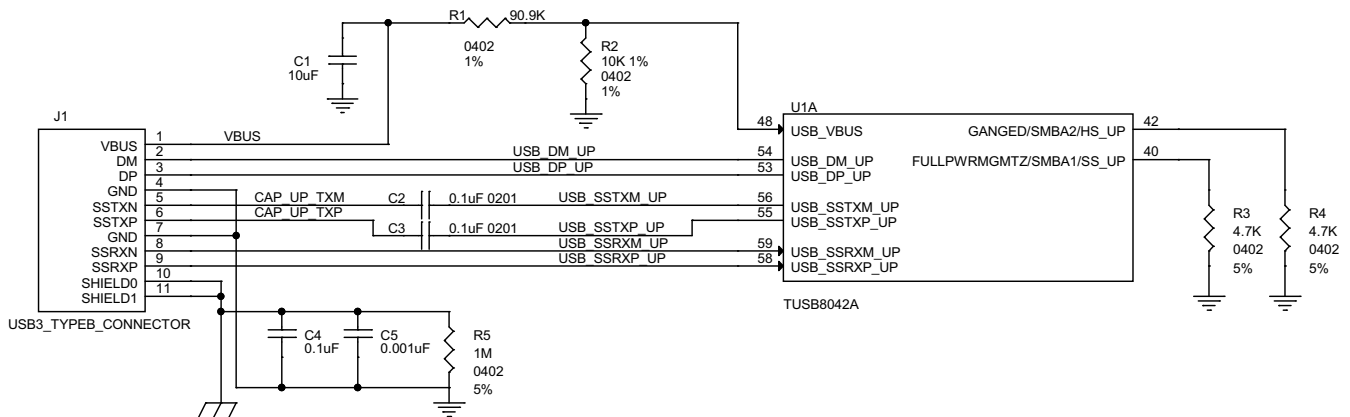


図 9-2. Upstream Port Implementation

9.2.1.2.2 Downstream Port 1 Implementation

The downstream port 1 of the TUSB8042A is connected to a USB3 Type-A connector. With BATEN1 pin pulled up, Battery Charge support is enabled for Port 1. If Battery Charge support is not needed, then TI recommends to uninstall the pullup resistor on BATEN1.

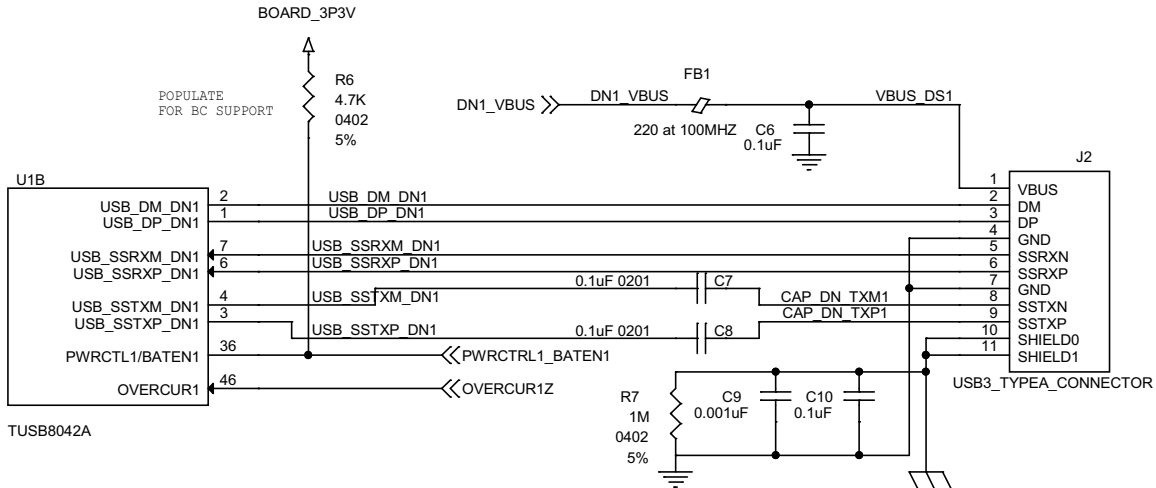


Figure 9-3. Downstream Port 1 Implementation

9.2.1.2.3 Downstream Port 2 Implementation

The downstream port 2 of the TUSB8042A is connected to a USB3 Type-A connector. With BATEN2 pin pulled up, Battery Charge support is enabled for Port 2. If Battery Charge support is not needed, then TI recommends to uninstall the pullup resistor on BATEN2. For ferrite bead used on the VBUS connection, a lower resistance is recommended due to noticeable IR drop during high current charging modes. The isolation between the Type-A connectors shield ground and signal ground pins is not required. Some applications may have better ESD/EMI performance when the grounds are shorted together.

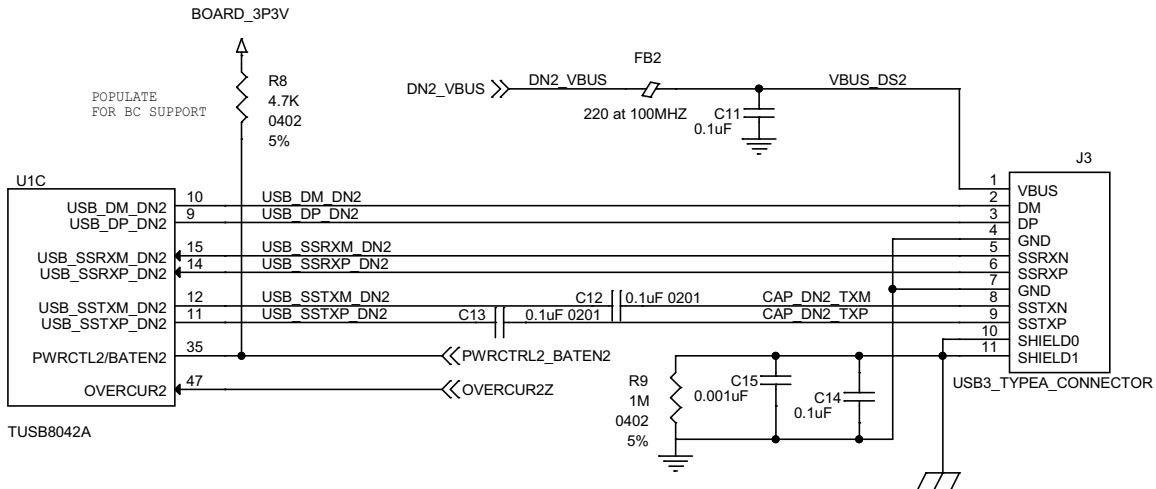
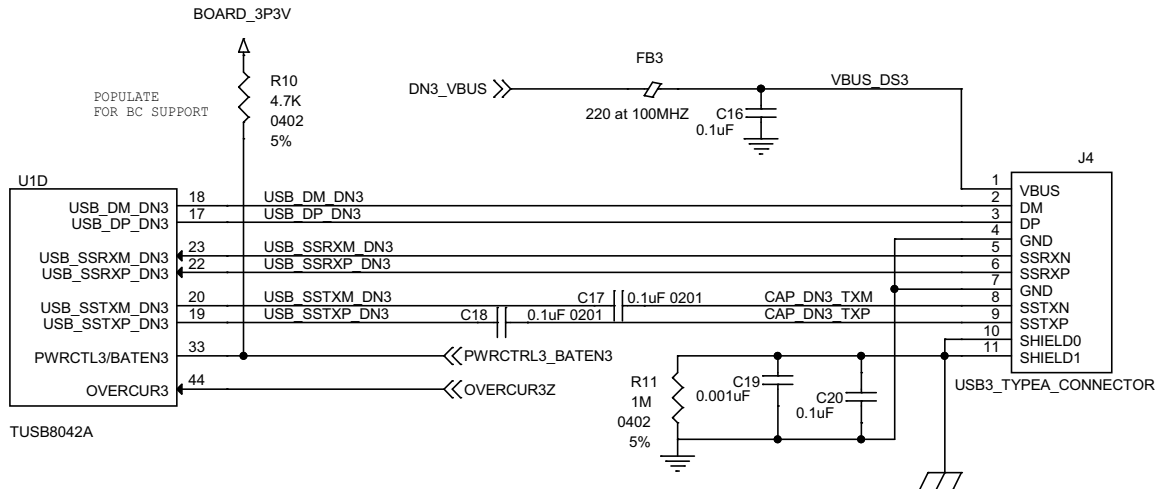


Figure 9-4. Downstream Port 2 Implementation

9.2.1.2.4 Downstream Port 3 Implementation

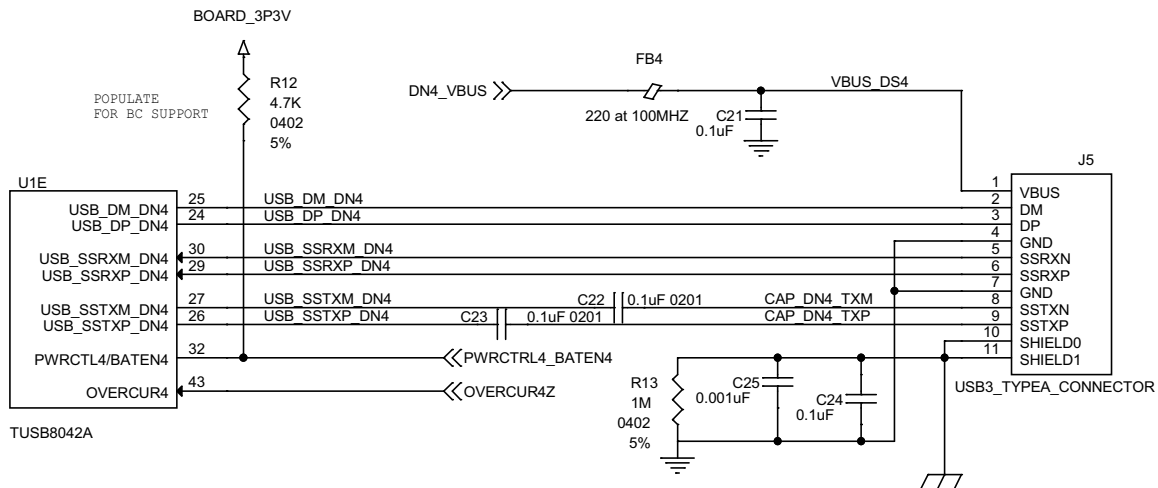
The downstream port3 of the TUSB8042A is connected to a USB3 Type-A connector. With BATEN3 pin pulled up, Battery Charge support is enabled for Port 3. If Battery Charge support is not needed, then TI recommends to uninstall the pullup resistor on BATEN3. For ferrite bead used on the VBUS connection, a lower resistance is recommended due to noticeable IR drop during high current charging modes. The isolation between the Type-A connectors shield ground and signal ground pins is not required. Some applications may have better ESD/EMI performance when the grounds are shorted together.



9-5. Downstream Port 3 Implementation

9.2.1.2.5 Downstream Port 4 Implementation

The downstream port 4 of the TUSB8042A is connected to a USB3 Type-A connector. With BATEN4 pin pulled up, Battery Charge support is enabled for Port 4. If Battery Charge support is not needed, then TI recommends to uninstall the pullup resistor on BATEN4. For ferrite bead used on the VBUS connection, a lower resistance is recommended due to noticeable IR drop during high current charging modes. The isolation between the Type-A connectors shield ground and signal ground pins is not required. Some applications may have better ESD/EMI performance when the grounds are shorted together.



9-6. Downstream Port 4 Implementation

9.2.1.2.6 VBUS Power Switch Implementation

This particular example uses the Texas Instruments [TPS2561](#) Dual Channel Precision Adjustable Current-Limited power switch. For details on this power switch or other power switches available from Texas Instruments, refer to the Texas Instruments website.

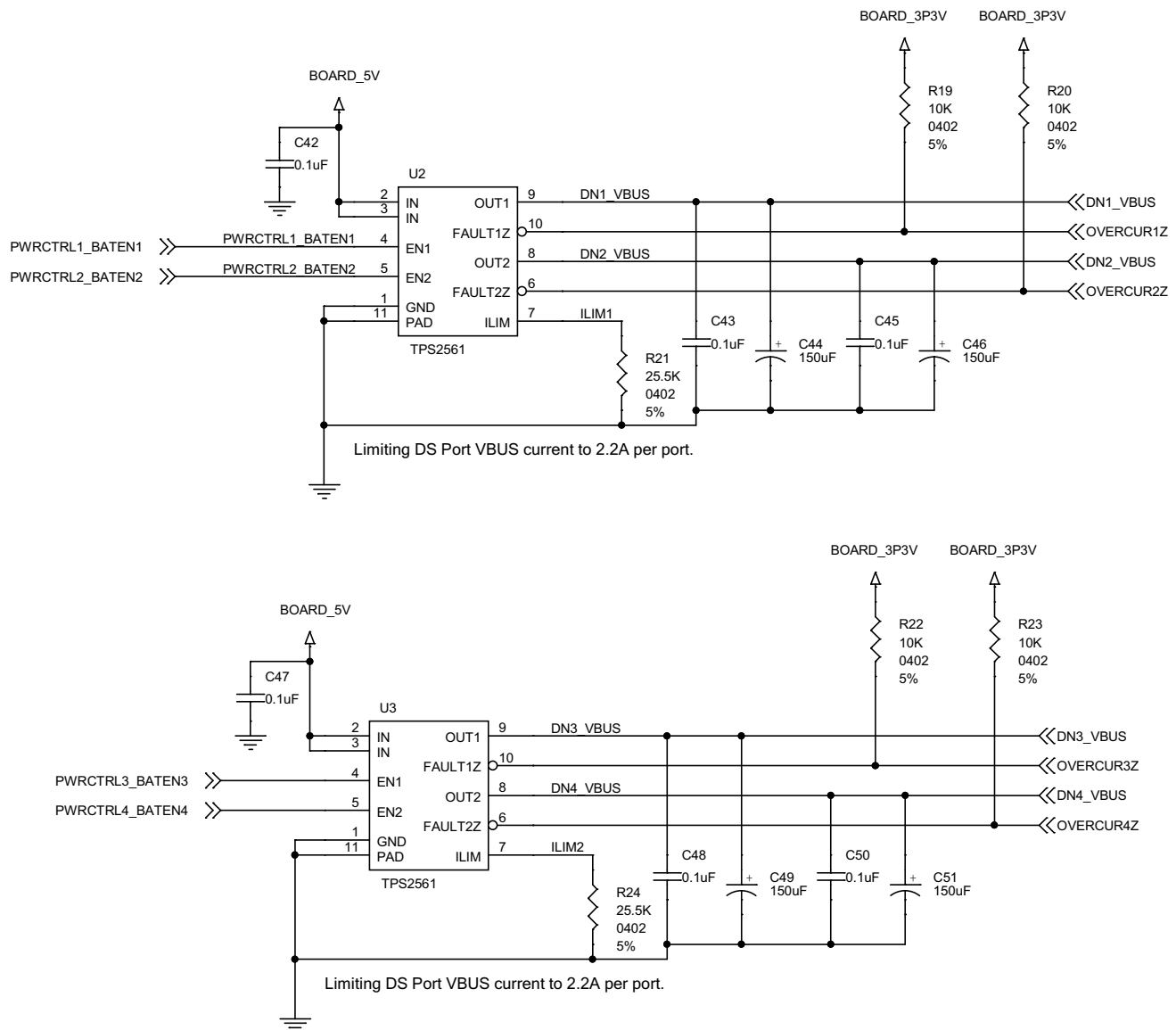


図 9-7. VBUS Power Switch Implementation

9.2.1.2.7 Clock, Reset, and Misc

The PWRCTL_POL is left unconnected which results in active high power enable (PWRCTL1, PWRCTL2, PWRCTL3, and PWRCTL4) for a USB VBUS power switch. SMBUSz pin is also left unconnected which selects I²C mode. Both PWRCTL_POL and SMBUSz pins have internal pullups. The 1μF capacitor on the GRSTN pin can only be used if the VDD11 supply is stable before the VDD33 supply. The depending on the supply ramp of the two supplies, the capacitor size may require an adjustment.

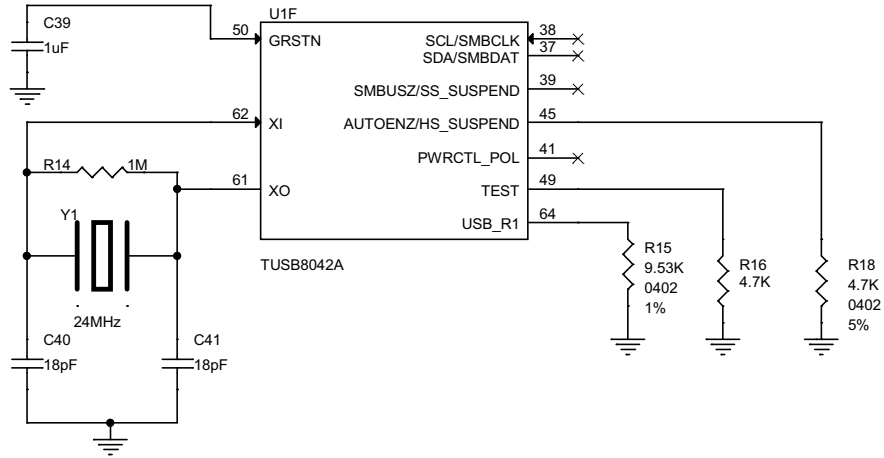
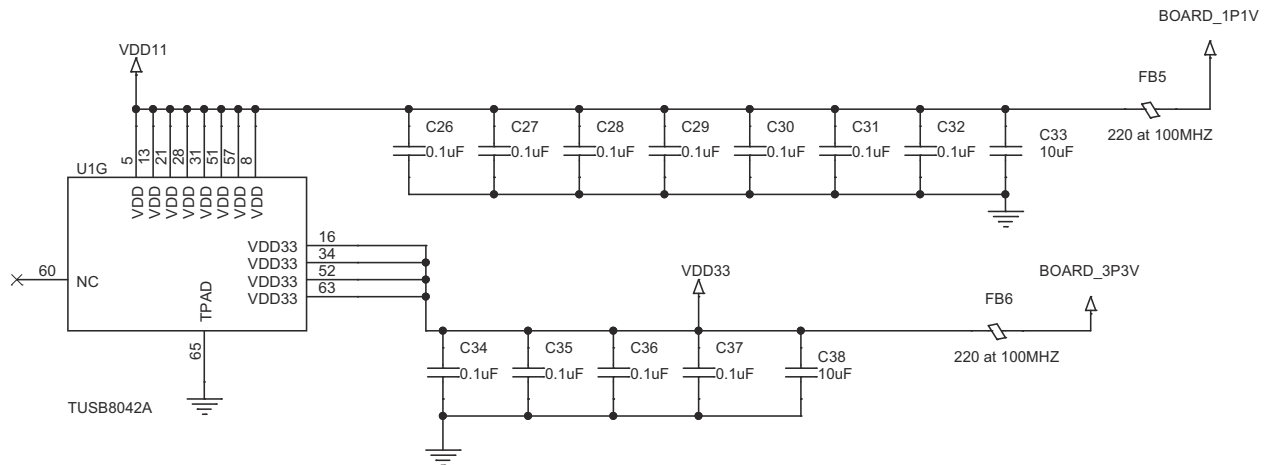


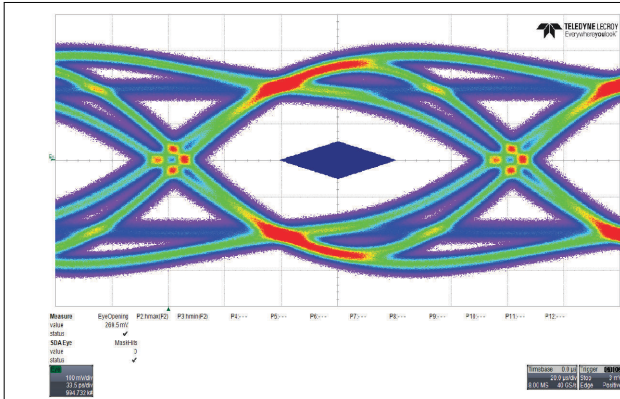
図 9-8. Clock, Reset, and Misc

9.2.1.2.8 TUSB8042A Power Implementation

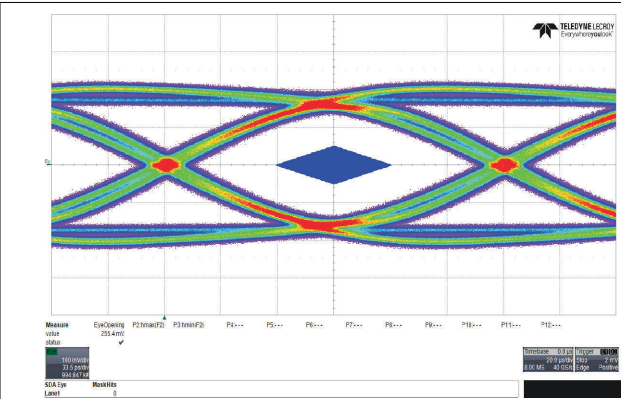


9-9. TUSB8042A Power Implementation

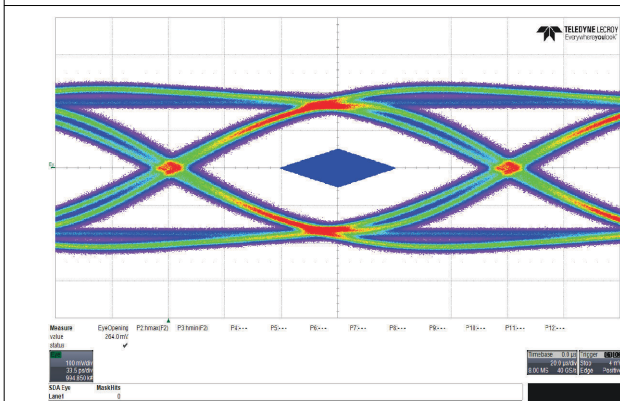
9.2.1.3 Application Curves



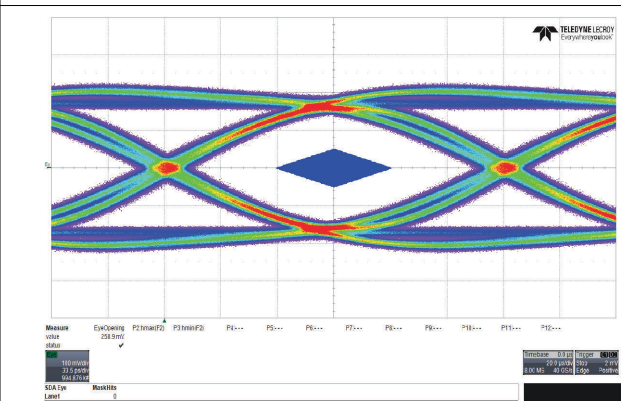
9-10. Upstream Port



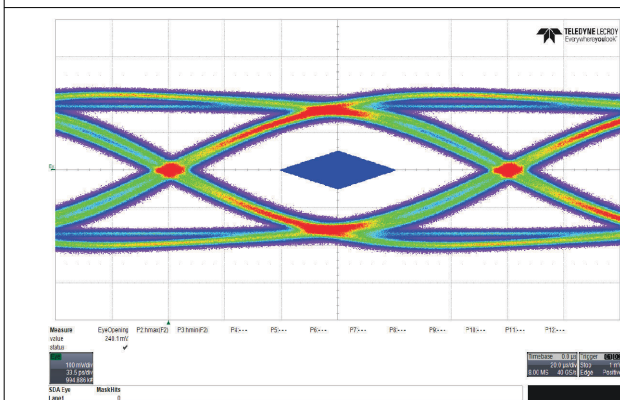
9-11. Downstream Port 1



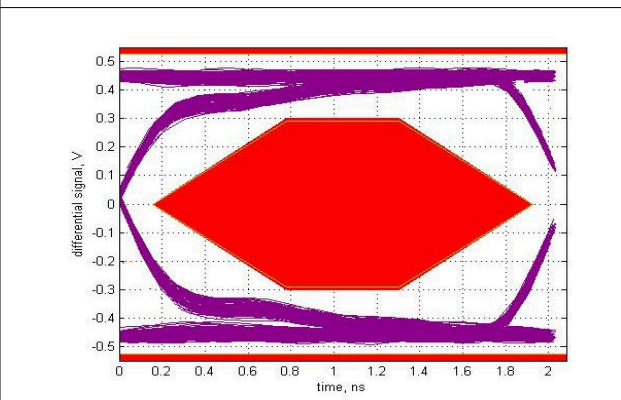
9-12. Downstream Port 2



9-13. Downstream Port 3



9-14. Downstream Port 4



9-15. High-Speed Upstream Port

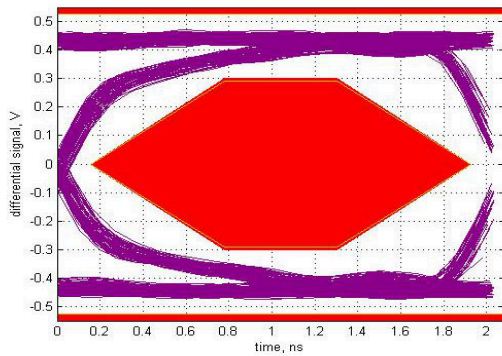


Figure 9-16. High-Speed Downstream Port 1

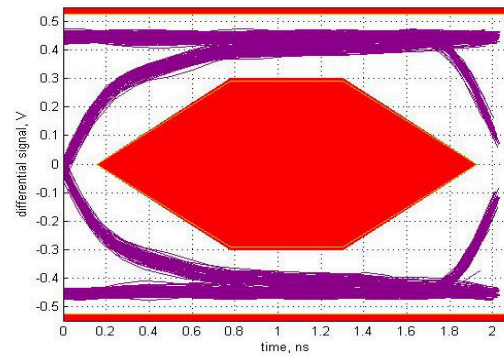


Figure 9-17. High-Speed Downstream Port 2

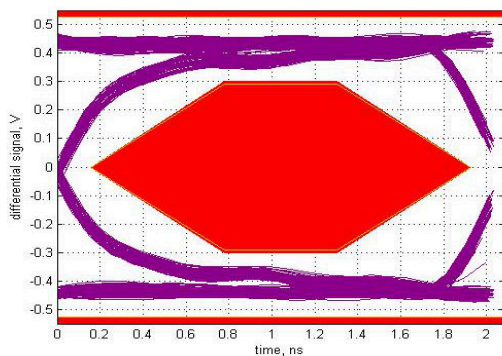


Figure 9-18. High-Speed Downstream Port 3

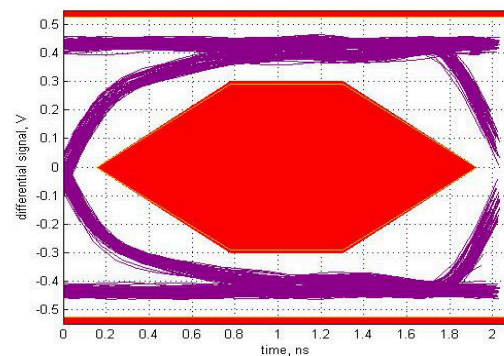


Figure 9-19. High-Speed Downstream Port 4

9.3 Power Supply Recommendations

9.3.1 TUSB8042A Power Supply

Implement V_{DD} and V_{DD33} as a single power planes.

- The V_{DD} pins of the TUSB8042A supply 1.1V (nominal) power to the core of the TUSB8042A. This power rail can be isolated from all other power rails by a ferrite bead to reduce noise.
- The DC resistance of the ferrite bead on the core power rail can affect the voltage provided to the device due to the high current draw on the power rail. The output of the core voltage regulator can be adjusted to account for this, or a ferrite bead with low DC resistance (less than 0.05Ω) can be selected.
- The V_{DD33} pins of the TUSB8042A supply 3.3V power rail to the I/O of the TUSB8042A. This power rail can be isolated from all other power rails by a ferrite bead to reduce noise.
- All power rails require a $10\mu\text{F}$ capacitor or $1\mu\text{F}$ capacitors for stability and noise immunity. These bulk capacitors can be placed anywhere on the power rail. Place the smaller decoupling capacitors as close to the TUSB8042A power pins as possible with an optimal grouping of two of differing values per pin.

9.3.2 Downstream Port Power

- The downstream port power, VBUS, must be supplied by a source capable of supplying 5V and up to 900mA per port. Downstream port power switches can be controlled by the TUSB8042A signals. It is also possible to leave the downstream port power always enabled.
- A large bulk low-ESR capacitor of $22\mu\text{F}$ or larger is required on the VBUS pin of each downstream port to limit in-rush current.
- The ferrite beads on the VBUS pins of the downstream USB port connections are recommended for both ESD and EMI reasons. A $0.1\mu\text{F}$ capacitor on the USB connector side of the ferrite provides a low impedance path to ground in case a fast rise time ESD current coupled onto the VBUS trace from the cable.

9.3.3 Ground

TI recommends that only one board ground plane be used in the design. This provides the best image plane for signal traces running above the plane. TI recommends to connect the thermal pad of the TUSB8042A and any of the voltage regulators to the ground plane with vias. An earth or chassis ground is implemented only near the USB port connectors on a different plane for EMI and ESD purposes.

9.4 Layout

9.4.1 Layout Guidelines

9.4.1.1 Placement

1. Place the 9.53K $\pm 1\%$ resistor connected to pin USB_R1 as close as possible to the TUSB8042A.
2. Place a 0.1 μ F capacitor as close as possible on each VDD and VDD33 power pin.
3. Place the 100nF capacitors on the SSTXP and SSTXM nets close to the USB connector (Type-A, Type-B, and so forth).
4. Place ESD and EMI protection devices (if used) as close as possible to the USB connector.
5. If a crystal is used, place the crystal as close as possible to the TUSB8042A XI and XO pins.
6. Place voltage regulators as far away from the TUSB8042A, the crystal, and the differential pairs as possible.
7. In general, place the large bulk capacitors associated with each power rail as close to the voltage regulators as possible.

9.4.1.2 Package Specific

1. The TUSB8042A package has a 0.5mm pin pitch.
2. The TUSB8042A package has a 6.0mm \times 6.0mm thermal pad. This thermal pad must be connected to ground through a system of vias.
3. TI recommends to solder mask all vias under device, except for those connected to thermal pad, to avoid any potential issues with thermal pad layouts.

9.4.1.3 Differential Pairs

This section describes the layout recommendations for all the TUSB8042A differential pairs: USB_DP_XX, USB_DM_XX, USB_SSTXP_XX, USB_SSTXM_XX, USB_SSRXP_XX, and USB_SSRXM_XX.

1. Must be designed with a differential impedance of 90 Ω $\pm 10\%$.
2. To minimize crosstalk, TI recommends to keep high-speed signals away from each other. Separate each pair by at least 5 times the signal trace width. Separating with ground as depicted in the layout example also helps minimize crosstalk.
3. Route all differential pairs on the same layer adjacent to a solid ground plane.
4. Do not route differential pairs over any plane split.
5. Adding test points causes impedance discontinuity, and therefore negative impacts signal performance. If test points are used, place the points in series and symmetrically. The test points must not be placed in a manner that causes stub on the differential pair.
6. Avoid 90 degree turns in trace. Keep the use of bends in differential traces to a minimum. When bends are used, make sure the number of left and right bends are as equal as possible and the angle of the bend is ≥ 135 degrees. This minimizes any length mismatch causes by the bends and therefore minimize the impact bends have on EMI.
7. Minimize the trace lengths of the differential pair traces. The maximum recommended trace length for SS differential pair signals and USB 2.0 differential pair signals is eight inches. Longer trace lengths require very careful routing to ensure proper signal integrity.
8. Match the etch lengths of the differential pair traces (that is, DP and DM or SSRXP and SSRXM or SSTXP and SSTXM). Make sure there is less than a 5mil difference between a SS differential pair signal and the complement. Make sure the USB 2.0 differential pairs do not exceed 50 mils relative trace length difference.
9. The etch lengths of the differential pair groups do not need to match (that is, the length of the SSRX pair to that of the SSTX pair), but make sure to minimize all trace lengths.
10. Minimize the use of vias in the differential pair paths as much as possible. If this is not practical, make sure that the same via type and placement are used for both signals in a pair. If any vias are used, place the vias as close to the TUSB8042A device as possible.

11. To ease routing, the polarity of the SS differential pairs can be swapped. This means that SSTXP can be routed to SSTXM or SSRXM can be routed to SSRXP.
12. To ease routing of the USB2 DP and DM pair, the polarity of these pins can be swapped. If this is done, the appropriate Px_usb2pol register, where x = 0, 1, 2, 3, or 4, must be set.
13. Do not place power fuses across the differential pair traces.

9.4.2 Layout Examples

9.4.2.1 Upstream Port

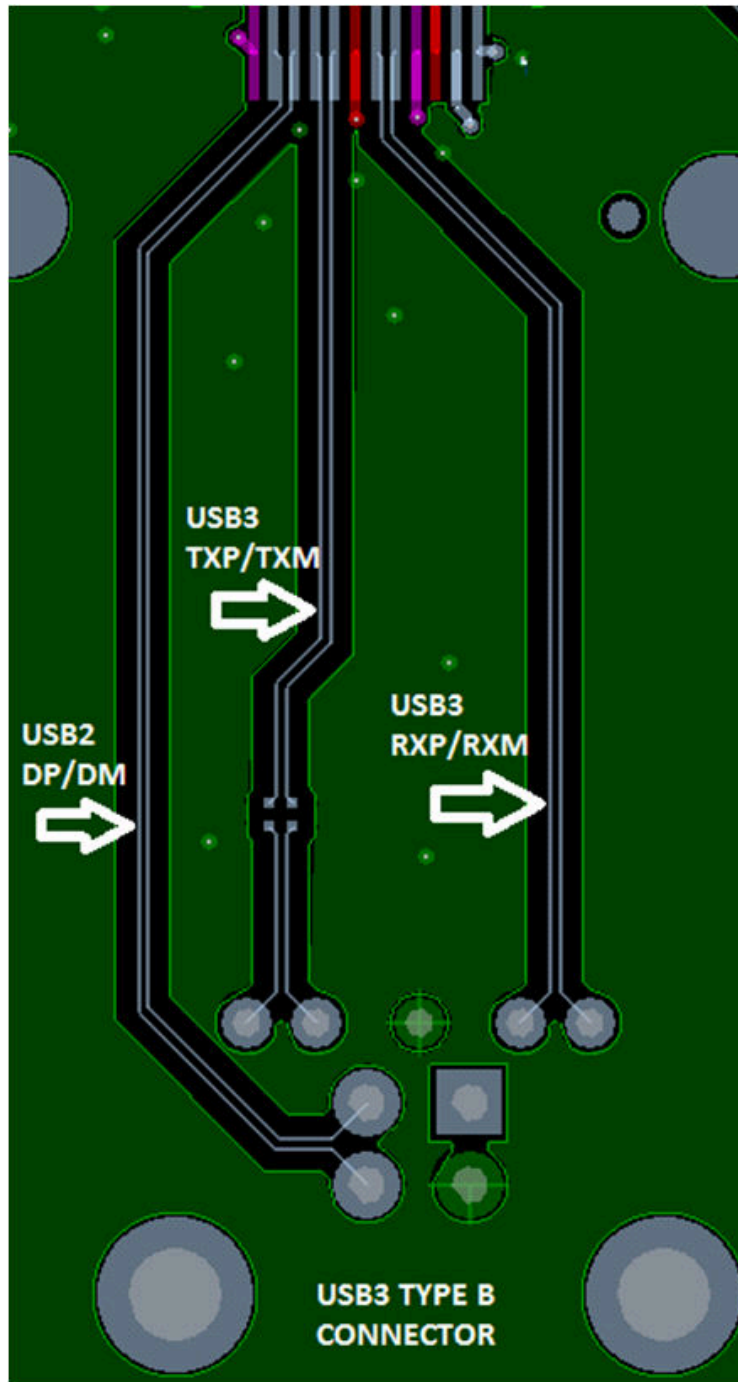


図 9-20. Example Routing of Upstream Port

9.4.2.2 Downstream Port

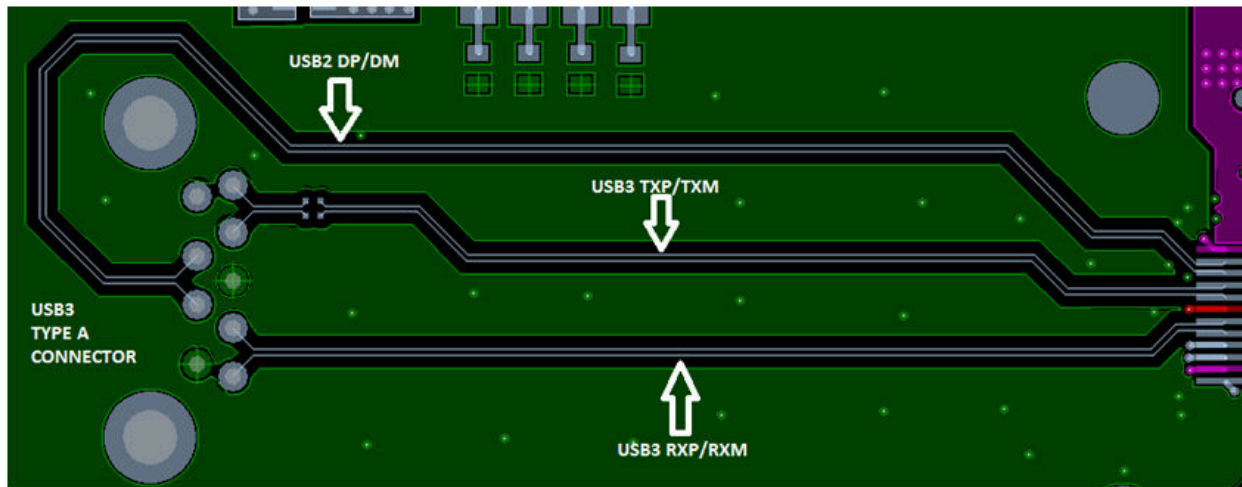


図 9-21. Example Routing of Downstream Port

The remaining three downstream ports routing can be similar to the example provided.

10 Device and Documentation Support

10.1 Documentation Support

10.1.1 Related Documentation

For related documentation, see the following:

- Texas Instruments, [Selection and Specification for Crystals for Texas Instruments USB2.0 Devices application note](#)

10.2 ドキュメントの更新通知を受け取る方法

ドキュメントの更新についての通知を受け取るには、www.tij.co.jp のデバイス製品フォルダを開いてください。[通知] をクリックして登録すると、変更されたすべての製品情報に関するダイジェストを毎週受け取ることができます。変更の詳細については、改訂されたドキュメントに含まれている改訂履歴をご覧ください。

10.3 サポート・リソース

テキサス・インスツルメンツ E2E™ サポート・フォーラムは、エンジニアが検証済みの回答と設計に関するヒントをエキスパートから迅速かつ直接得ることができる場所です。既存の回答を検索したり、独自の質問をしたりすることで、設計に必要な支援を迅速に得ることができます。

リンクされているコンテンツは、各寄稿者により「現状のまま」提供されるものです。これらはテキサス・インスツルメンツの仕様を構成するものではなく、必ずしもテキサス・インスツルメンツの見解を反映したものではありません。テキサス・インスツルメンツの[使用条件](#)を参照してください。

10.4 Trademarks

テキサス・インスツルメンツ E2E™ is a trademark of Texas Instruments.

すべての商標は、それぞれの所有者に帰属します。

10.5 静電気放電に関する注意事項



この IC は、ESD によって破損する可能性があります。テキサス・インスツルメンツは、IC を取り扱う際には常に適切な注意を払うことを推奨します。正しい取り扱いおよび設置手順に従わない場合、デバイスを破損するおそれがあります。

ESD による破損は、わずかな性能低下からデバイスの完全な故障まで多岐にわたります。精密な IC の場合、パラメータがわずかに変化するだけで公表されている仕様から外れる可能性があるため、破損が発生しやすくなっています。

10.6 用語集

[テキサス・インスツルメンツ用語集](#) この用語集には、用語や略語の一覧および定義が記載されています。

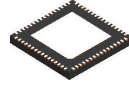
11 Revision History

資料番号末尾の英字は改訂を表しています。その改訂履歴は英語版に準じています。

Changes from Revision * (June 2019) to Revision A (January 2025)	Page
• ドキュメント全体にわたって表、図、相互参照の採番方法を更新.....	1
• I ² C に言及している場合、すべての旧式の用語をコントローラおよびターゲットに変更.....	1
• Added device version comparison table.....	4

12 Mechanical, Packaging, and Orderable Information

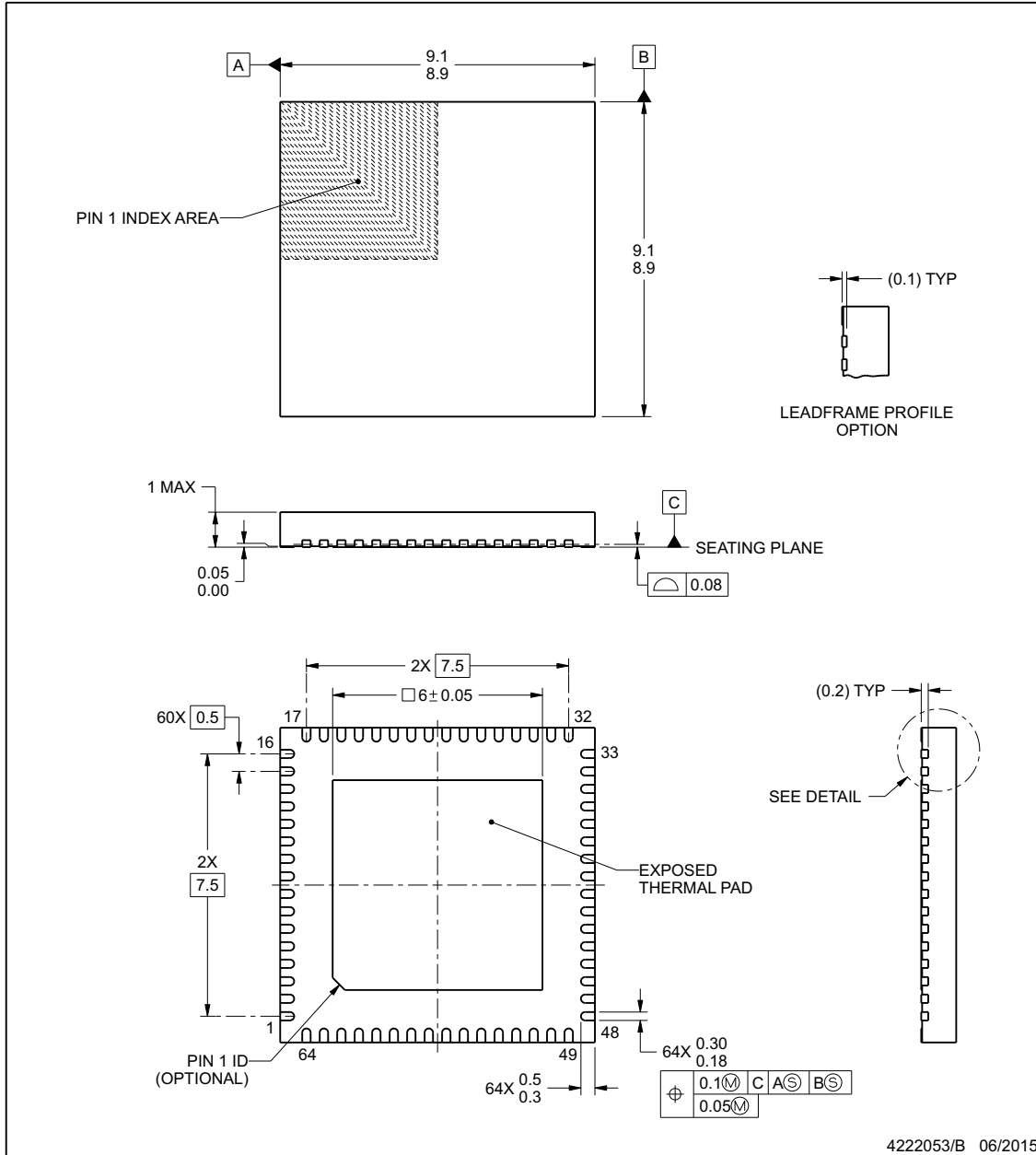
The following pages include mechanical packaging and orderable information. This information is the most current data available for the designated devices. This data is subject to change without notice and revision of this document. For browser-based versions of this data sheet, refer to the left-hand navigation.



RGC0064G

PACKAGE OUTLINE
VQFN - 1 mm max height

PLASTIC QUAD FLATPACK - NO LEAD



NOTES:

1. All linear dimensions are in millimeters. Any dimensions in parenthesis are for reference only. Dimensioning and tolerancing per ASME Y14.5M.
2. This drawing is subject to change without notice.
3. The package thermal pad must be soldered to the printed circuit board for thermal and mechanical performance.

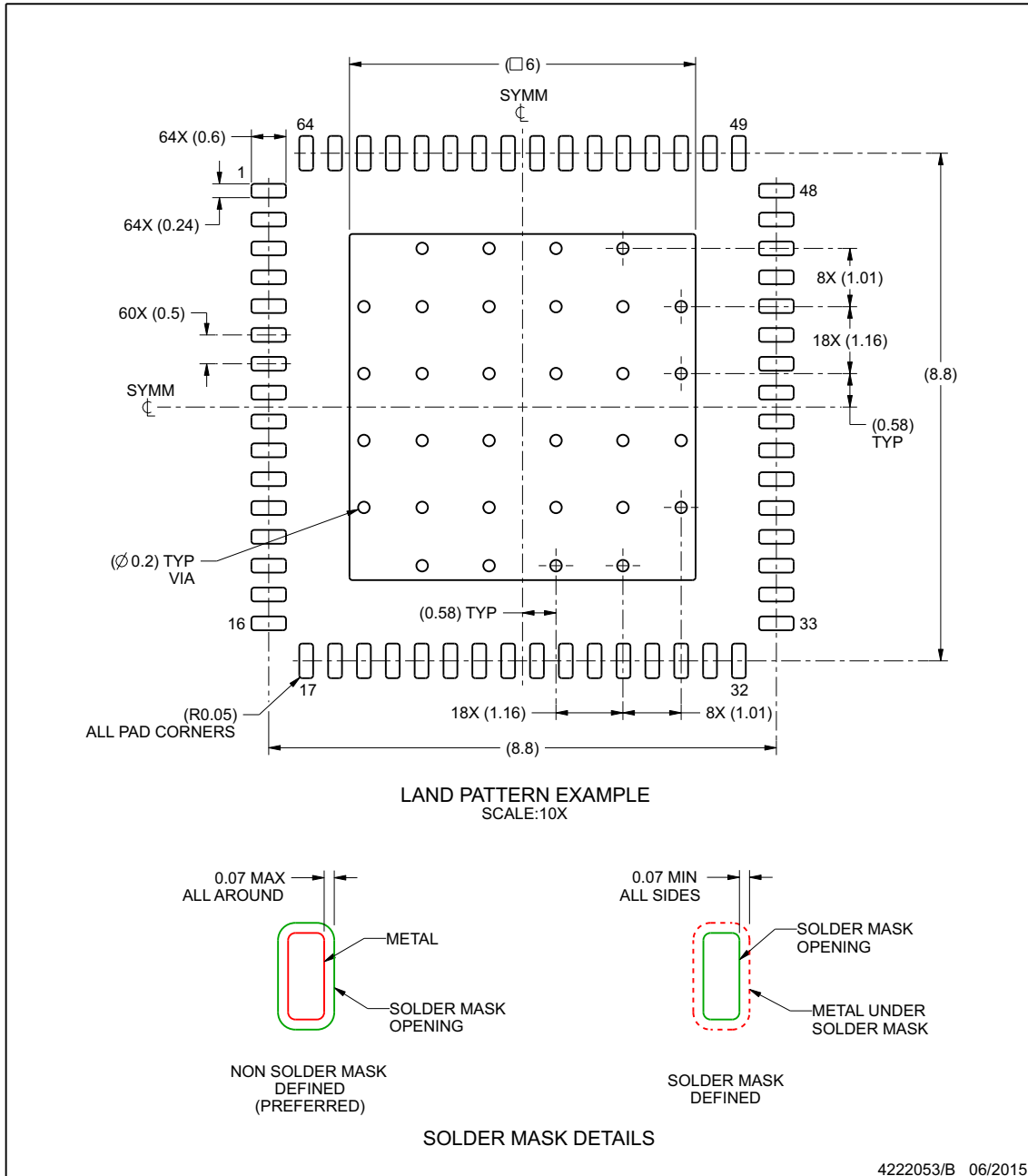
www.ti.com

EXAMPLE BOARD LAYOUT

RGC0064G

VQFN - 1 mm max height

PLASTIC QUAD FLATPACK - NO LEAD



NOTES: (continued)

4. This package is designed to be soldered to a thermal pad on the board. For more information, see Texas Instruments literature number SLUA271 (www.ti.com/lit/sluea271).

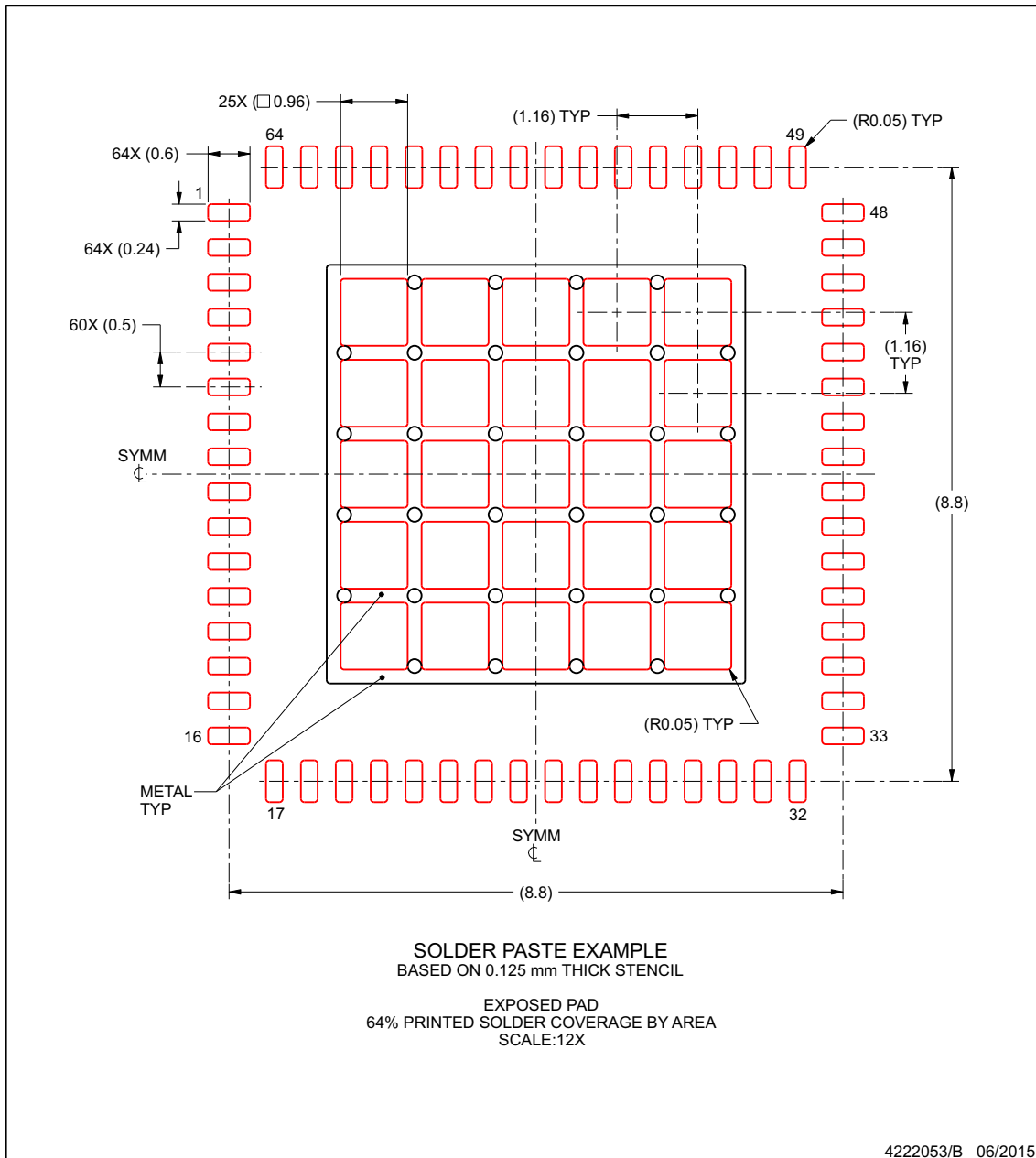
www.ti.com

EXAMPLE STENCIL DESIGN

RGC0064G

VQFN - 1 mm max height

PLASTIC QUAD FLATPACK - NO LEAD



NOTES: (continued)

5. Laser cutting apertures with trapezoidal walls and rounded corners may offer better paste release. IPC-7525 may have alternate design recommendations.

www.ti.com

重要なお知らせと免責事項

テキサス・インスツルメンツは、技術データと信頼性データ (データシートを含みます)、設計リソース (リファレンス デザインを含みます)、アプリケーションや設計に関する各種アドバイス、Web ツール、安全性情報、その他のリソースを、欠陥が存在する可能性のある「現状のまま」提供しており、商品性および特定目的に対する適合性の黙示保証、第三者の知的財産権の非侵害保証を含むいかなる保証も、明示的または黙示的にかかわらず拒否します。

これらのリソースは、テキサス・インスツルメンツ製品を使用する設計の経験を積んだ開発者への提供を意図したものです。(1) お客様のアプリケーションに適した テキサス・インスツルメンツ製品の選定、(2) お客様のアプリケーションの設計、検証、試験、(3) お客様のアプリケーションに該当する各種規格や、その他のあらゆる安全性、セキュリティ、規制、または他の要件への確実な適合に関する責任を、お客様のみが単独で負うものとします。

上記の各種リソースは、予告なく変更される可能性があります。これらのリソースは、リソースで説明されている テキサス・インスツルメンツ製品を使用するアプリケーションの開発の目的でのみ、テキサス・インスツルメンツはその使用をお客様に許諾します。これらのリソースに関して、他の目的で複製することや掲載することは禁止されています。テキサス・インスツルメンツや第三者の知的財産権のライセンスが付与されている訳ではありません。お客様は、これらのリソースを自身で使用した結果発生するあらゆる申し立て、損害、費用、損失、責任について、テキサス・インスツルメンツおよびその代理人を完全に補償するものとし、テキサス・インスツルメンツは一切の責任を拒否します。

テキサス・インスツルメンツの製品は、[テキサス・インスツルメンツの販売条件](#)、または [ti.com](https://www.ti.com) やかかる テキサス・インスツルメンツ製品の関連資料などのいずれかを通じて提供する適用可能な条項の下で提供されています。テキサス・インスツルメンツがこれらのリソースを提供することは、適用されるテキサス・インスツルメンツの保証または他の保証の放棄の拡大や変更を意味するものではありません。

お客様がいかなる追加条項または代替条項を提案した場合でも、テキサス・インスツルメンツはそれらに異議を唱え、拒否します。

郵送先住所: Texas Instruments, Post Office Box 655303, Dallas, Texas 75265

Copyright © 2025, Texas Instruments Incorporated

PACKAGING INFORMATION

Orderable Device	Status (1)	Package Type	Package Drawing	Pins	Package Qty	Eco Plan (2)	Lead finish/ Ball material (6)	MSL Peak Temp (3)	Op Temp (°C)	Device Marking (4/5)	Samples
TUSB8042A1RGCR	ACTIVE	VQFN	RGC	64	2000	RoHS & Green	NIPDAU	Level-3-260C-168 HR	-40 to 85	TUSB8042A1	Samples
TUSB8042A1RGCT	ACTIVE	VQFN	RGC	64	250	RoHS & Green	NIPDAU	Level-3-260C-168 HR	-40 to 85	TUSB8042A1	Samples
TUSB8042AIRGCR	ACTIVE	VQFN	RGC	64	2000	RoHS & Green	NIPDAU	Level-3-260C-168 HR	-40 to 85	TUSB8042A	Samples
TUSB8042AIRGCT	ACTIVE	VQFN	RGC	64	250	RoHS & Green	NIPDAU	Level-3-260C-168 HR	-40 to 85	TUSB8042A	Samples
TUSB8042ARGCR	ACTIVE	VQFN	RGC	64	2000	RoHS & Green	NIPDAU	Level-3-260C-168 HR	0 to 70	TUSB8042A	Samples
TUSB8042ARGCT	ACTIVE	VQFN	RGC	64	250	RoHS & Green	NIPDAU	Level-3-260C-168 HR	0 to 70	TUSB8042A	Samples

(1) The marketing status values are defined as follows:

ACTIVE: Product device recommended for new designs.

LIFEBUY: TI has announced that the device will be discontinued, and a lifetime-buy period is in effect.

NRND: Not recommended for new designs. Device is in production to support existing customers, but TI does not recommend using this part in a new design.

PREVIEW: Device has been announced but is not in production. Samples may or may not be available.

OBSOLETE: TI has discontinued the production of the device.

(2) **RoHS:** TI defines "RoHS" to mean semiconductor products that are compliant with the current EU RoHS requirements for all 10 RoHS substances, including the requirement that RoHS substance do not exceed 0.1% by weight in homogeneous materials. Where designed to be soldered at high temperatures, "RoHS" products are suitable for use in specified lead-free processes. TI may reference these types of products as "Pb-Free".

RoHS Exempt: TI defines "RoHS Exempt" to mean products that contain lead but are compliant with EU RoHS pursuant to a specific EU RoHS exemption.

Green: TI defines "Green" to mean the content of Chlorine (Cl) and Bromine (Br) based flame retardants meet JS709B low halogen requirements of <=1000ppm threshold. Antimony trioxide based flame retardants must also meet the <=1000ppm threshold requirement.

(3) MSL, Peak Temp. - The Moisture Sensitivity Level rating according to the JEDEC industry standard classifications, and peak solder temperature.

(4) There may be additional marking, which relates to the logo, the lot trace code information, or the environmental category on the device.

(5) Multiple Device Markings will be inside parentheses. Only one Device Marking contained in parentheses and separated by a "~" will appear on a device. If a line is indented then it is a continuation of the previous line and the two combined represent the entire Device Marking for that device.

(6) Lead finish/Ball material - Orderable Devices may have multiple material finish options. Finish options are separated by a vertical ruled line. Lead finish/Ball material values may wrap to two lines if the finish value exceeds the maximum column width.

Important Information and Disclaimer: The information provided on this page represents TI's knowledge and belief as of the date that it is provided. TI bases its knowledge and belief on information provided by third parties, and makes no representation or warranty as to the accuracy of such information. Efforts are underway to better integrate information from third parties. TI has taken and continues to take reasonable steps to provide representative and accurate information but may not have conducted destructive testing or chemical analysis on incoming materials and chemicals. TI and TI suppliers consider certain information to be proprietary, and thus CAS numbers and other limited information may not be available for release.

In no event shall TI's liability arising out of such information exceed the total purchase price of the TI part(s) at issue in this document sold by TI to Customer on an annual basis.

TAPE AND REEL INFORMATION

QUADRANT ASSIGNMENTS FOR PIN 1 ORIENTATION IN TAPE


*All dimensions are nominal

Device	Package Type	Package Drawing	Pins	SPQ	Reel Diameter (mm)	Reel Width W1 (mm)	A0 (mm)	B0 (mm)	K0 (mm)	P1 (mm)	W (mm)	Pin1 Quadrant
TUSB8042A1RGCR	VQFN	RGC	64	2000	330.0	16.4	9.3	9.3	1.1	12.0	16.0	Q2
TUSB8042A1RGCT	VQFN	RGC	64	250	180.0	16.4	9.3	9.3	1.1	12.0	16.0	Q2
TUSB8042AIRGCR	VQFN	RGC	64	2000	330.0	16.4	9.3	9.3	1.1	12.0	16.0	Q2
TUSB8042AIRGCT	VQFN	RGC	64	250	180.0	16.4	9.3	9.3	1.1	12.0	16.0	Q2
TUSB8042ARGCR	VQFN	RGC	64	2000	330.0	16.4	9.3	9.3	1.1	12.0	16.0	Q2
TUSB8042ARGCT	VQFN	RGC	64	250	180.0	16.4	9.3	9.3	1.1	12.0	16.0	Q2

TAPE AND REEL BOX DIMENSIONS


*All dimensions are nominal

Device	Package Type	Package Drawing	Pins	SPQ	Length (mm)	Width (mm)	Height (mm)
TUSB8042A1RGCR	VQFN	RGC	64	2000	367.0	367.0	38.0
TUSB8042A1RGCT	VQFN	RGC	64	250	210.0	185.0	35.0
TUSB8042AIRGCR	VQFN	RGC	64	2000	367.0	367.0	38.0
TUSB8042AIRGCT	VQFN	RGC	64	250	210.0	185.0	35.0
TUSB8042ARGCR	VQFN	RGC	64	2000	367.0	367.0	38.0
TUSB8042ARGCT	VQFN	RGC	64	250	210.0	185.0	35.0

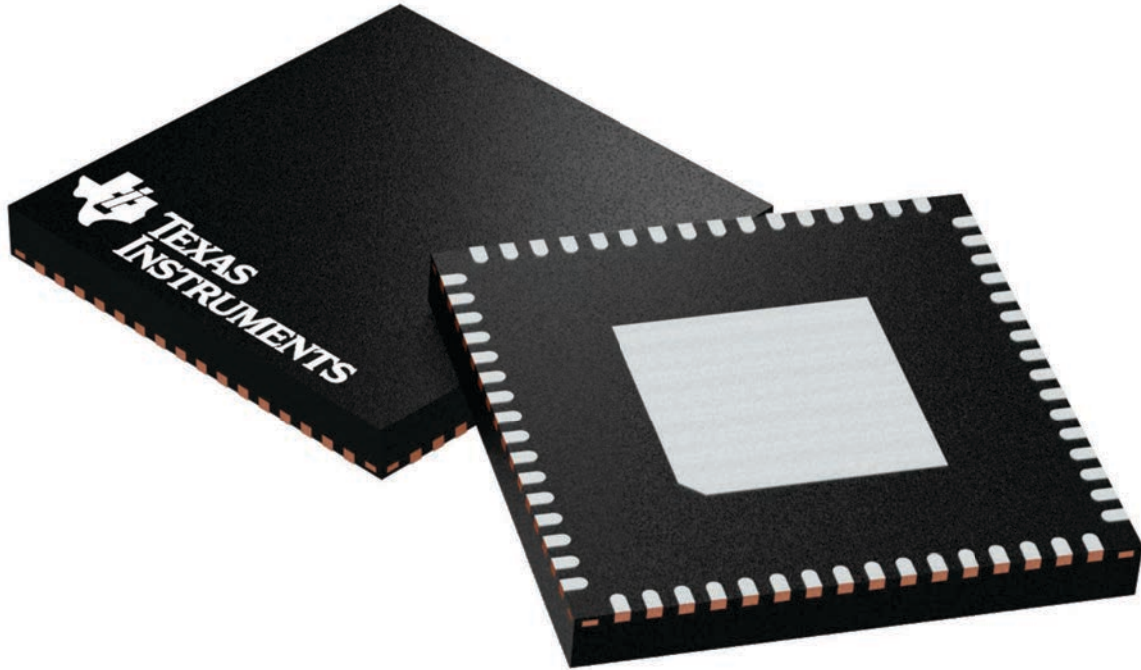
GENERIC PACKAGE VIEW

RGC 64

VQFN - 1 mm max height

9 x 9, 0.5 mm pitch

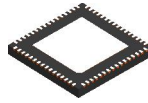
PLASTIC QUAD FLATPACK - NO LEAD



Images above are just a representation of the package family, actual package may vary.
Refer to the product data sheet for package details.

4224597/A

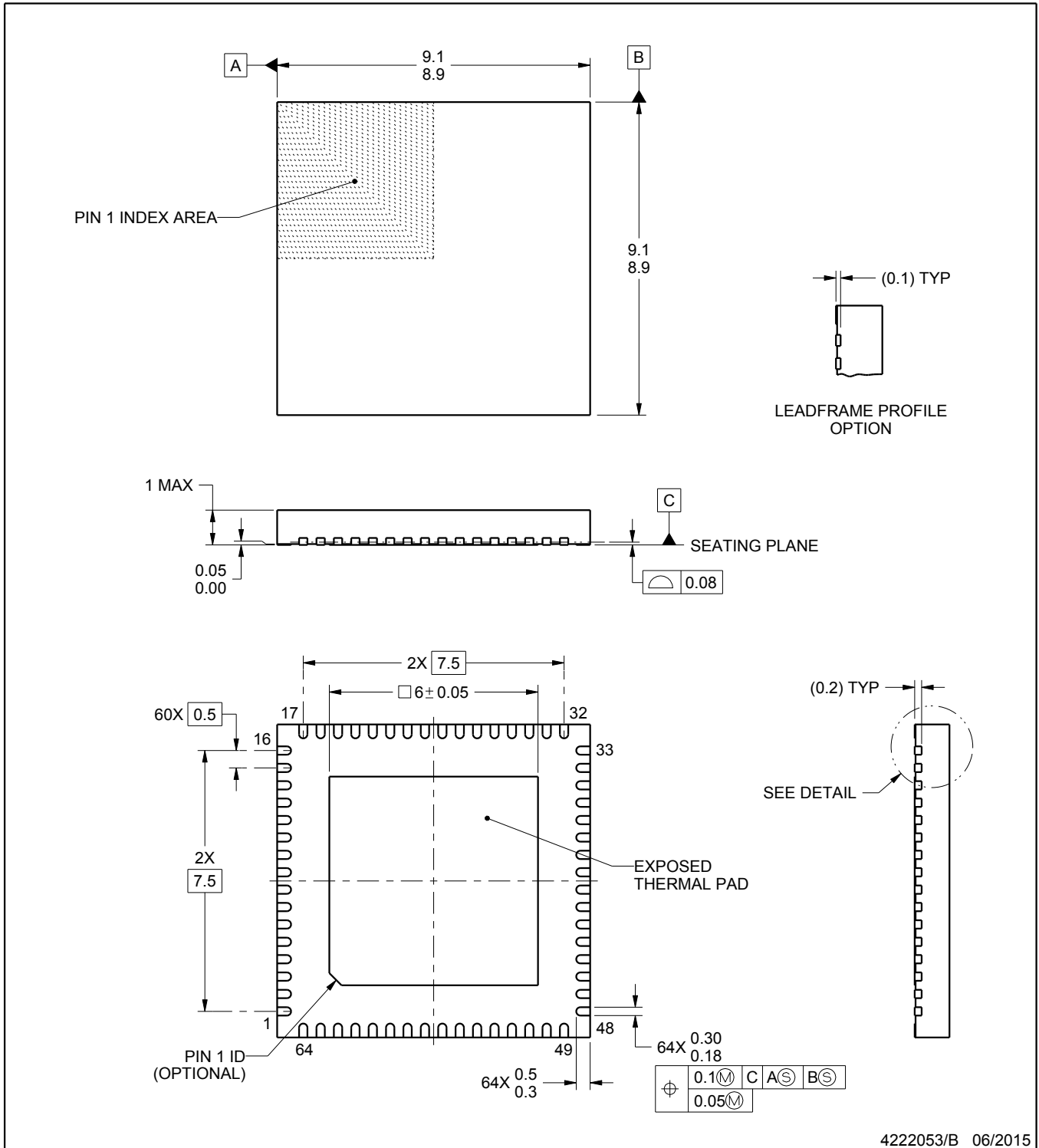
RGC0064G



PACKAGE OUTLINE

VQFN - 1 mm max height

PLASTIC QUAD FLATPACK - NO LEAD



4222053/B 06/2015

NOTES:

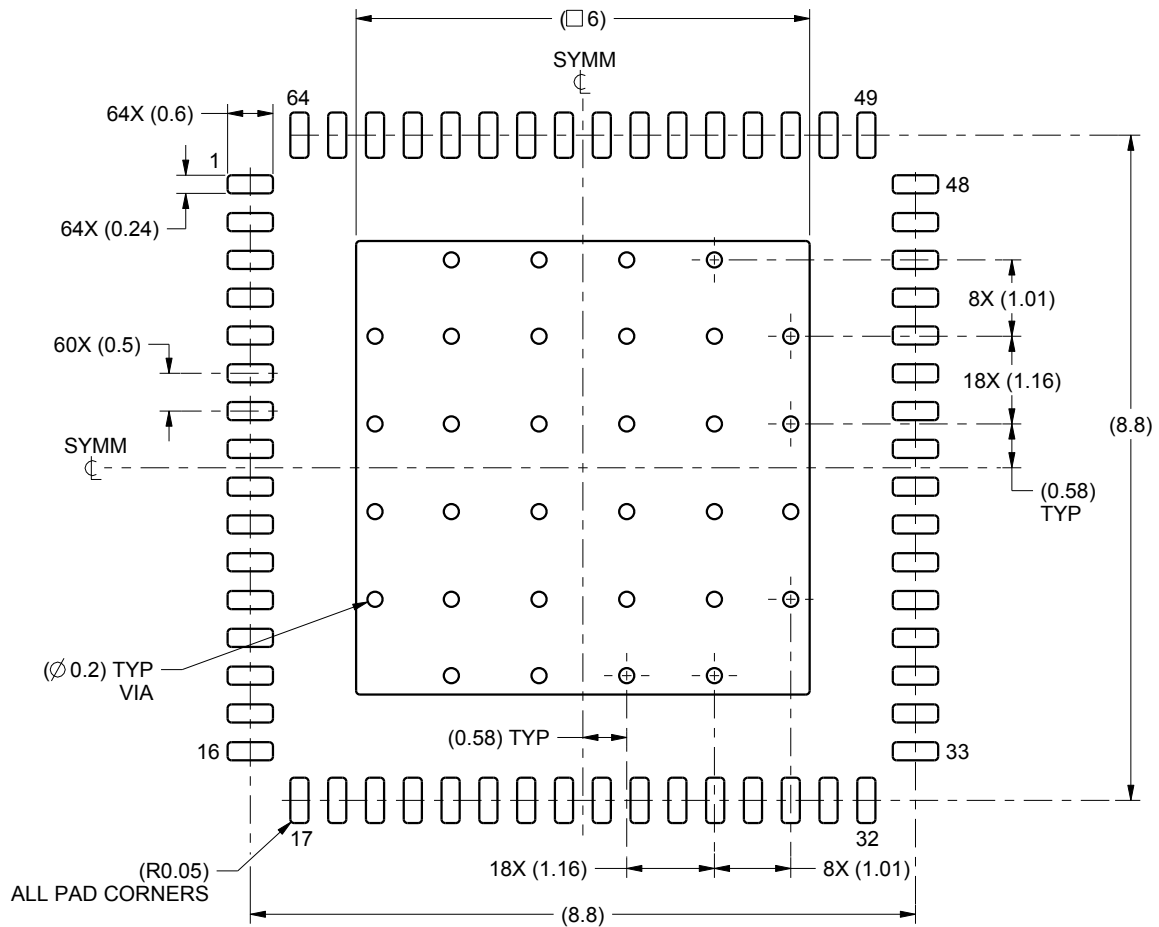
1. All linear dimensions are in millimeters. Any dimensions in parenthesis are for reference only. Dimensioning and tolerancing per ASME Y14.5M.
2. This drawing is subject to change without notice.
3. The package thermal pad must be soldered to the printed circuit board for thermal and mechanical performance.

EXAMPLE BOARD LAYOUT

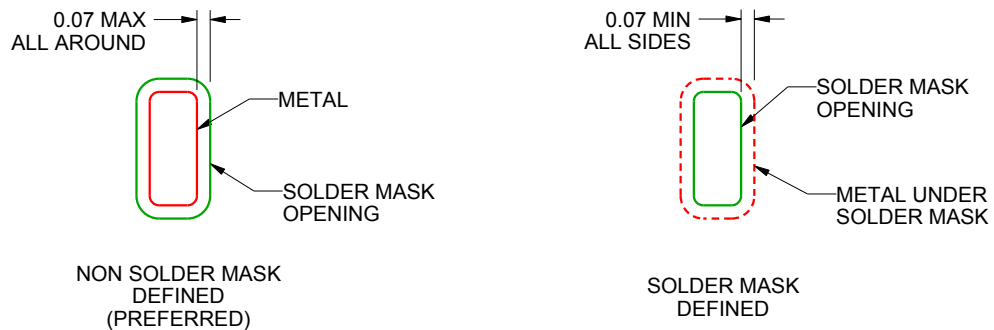
RGC0064G

VQFN - 1 mm max height

PLASTIC QUAD FLATPACK - NO LEAD



LAND PATTERN EXAMPLE
SCALE:10X



SOLDER MASK DETAILS

4222053/B 06/2015

NOTES: (continued)

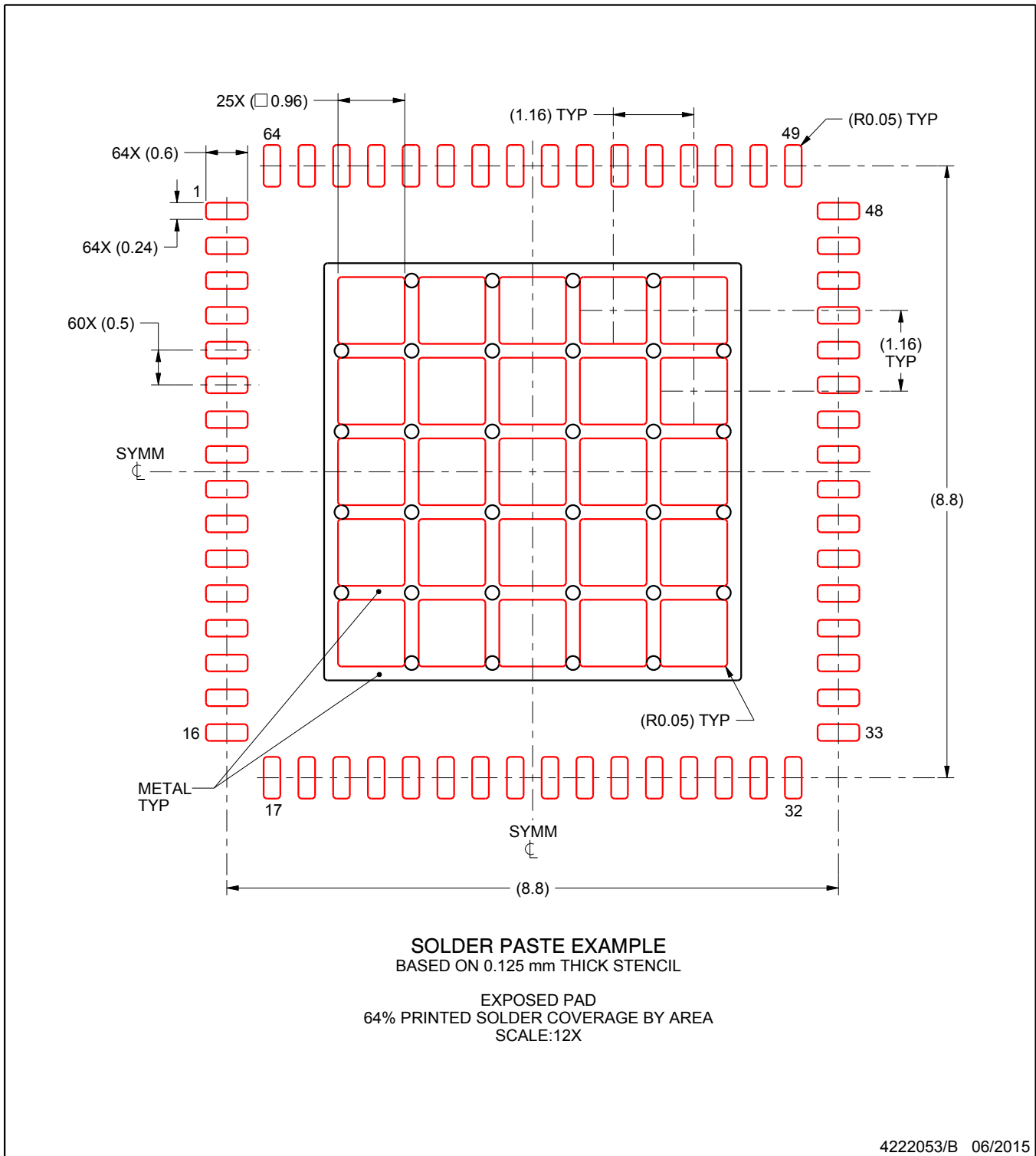
4. This package is designed to be soldered to a thermal pad on the board. For more information, see Texas Instruments literature number SLUA271 (www.ti.com/lit/slua271).

EXAMPLE STENCIL DESIGN

RGC0064G

VQFN - 1 mm max height

PLASTIC QUAD FLATPACK - NO LEAD



NOTES: (continued)

5. Laser cutting apertures with trapezoidal walls and rounded corners may offer better paste release. IPC-7525 may have alternate design recommendations.

重要なお知らせと免責事項

テキサス・インスツルメンツは、技術データと信頼性データ(データシートを含みます)、設計リソース(リファレンス デザインを含みます)、アプリケーションや設計に関する各種アドバイス、Web ツール、安全性情報、その他のリソースを、欠陥が存在する可能性のある「現状のまま」提供しており、商品性および特定目的に対する適合性の黙示保証、第三者の知的財産権の非侵害保証を含むいかなる保証も、明示的または黙示的にかかわらず拒否します。

これらのリソースは、テキサス・インスツルメンツ製品を使用する設計の経験を積んだ開発者への提供を意図したものです。(1) お客様のアプリケーションに適したテキサス・インスツルメンツ製品の選定、(2) お客様のアプリケーションの設計、検証、試験、(3) お客様のアプリケーションに該当する各種規格や、その他のあらゆる安全性、セキュリティ、規制、または他の要件への確実な適合に関する責任を、お客様のみが単独で負うものとし、ます。

上記の各種リソースは、予告なく変更される可能性があります。これらのリソースは、リソースで説明されているテキサス・インスツルメンツ製品を使用するアプリケーションの開発の目的でのみ、テキサス・インスツルメンツはその使用をお客様に許諾します。これらのリソースに関して、他の目的で複製することや掲載することは禁止されています。テキサス・インスツルメンツや第三者の知的財産権のライセンスが付与されている訳ではありません。お客様は、これらのリソースを自身で使用した結果発生するあらゆる申し立て、損害、費用、損失、責任について、テキサス・インスツルメンツおよびその代理人を完全に補償するものとし、テキサス・インスツルメンツは一切の責任を拒否します。

テキサス・インスツルメンツの製品は、[テキサス・インスツルメンツの販売条件](#)、または [ti.com](https://www.ti.com) やかかるテキサス・インスツルメンツ製品の関連資料などのいずれかを通じて提供する適用可能な条項の下で提供されています。テキサス・インスツルメンツがこれらのリソースを提供することは、適用されるテキサス・インスツルメンツの保証または他の保証の放棄の拡大や変更を意味するものではありません。

お客様がいかなる追加条項または代替条項を提案した場合でも、テキサス・インスツルメンツはそれらに異議を唱え、拒否します。

郵送先住所：Texas Instruments, Post Office Box 655303, Dallas, Texas 75265
Copyright © 2025, Texas Instruments Incorporated