

TUSB1064 USB Type-C™ DP ALTモード、10Gbps、シンクサイド・リニア・リドライバ・クロスポイント・スイッチ

1 特長

- USB Type-C™クロスポイント・スイッチで、次のレーンをサポート
 - USB 3.1 Gen 2 + 2 つの DP 1.4 レーン
 - 4 つの DP 1.4 レーン
- USB 3.1 Gen2で最大10Gbps
- DisplayPort 1.4で最大8.1Gbps (HBR3)
- VESA DisplayPort™Alt Mode UFP_D リドライビング・クロスポイント・スイッチで、C、D、E のピン配置をサポート
- 超低消費電力アーキテクチャ
- 最大 12dB のイコライゼーション付きのリニア・リドライバ
- DisplayPort リンク・トレーニングに対して透過的
- 自動的な LFPS ディエンファシス制御により USB 3.1 の認定要件に合致
- GPIO または I²C により構成可能
- ホットプラグ対応
- 工業用温度範囲: -40°C~85°C (TUSB1064I)
- 商業用温度範囲: 0°C~70°C (TUSB1064)
- 4mm x 6mm、0.4mm ピッチの WQFN パッケージ

2 アプリケーション

- モニタ
- HDTV
- プロジェクタ
- ドッキング・ステーション

3 概要

TUSB1064は、VESA USB Type-C™Altモードのリドライビング・スイッチであり、上流向けポート(シンク)について、USB 3.1で最高10Gbps、DisplayPort 1.4で最高8.1Gbpsのデータ転送速度に対応しています。このデバイスは、USB Type-C標準上のVESA DisplayPort AltモードのUFP_Dピン配置C、D、Eに使用されます。

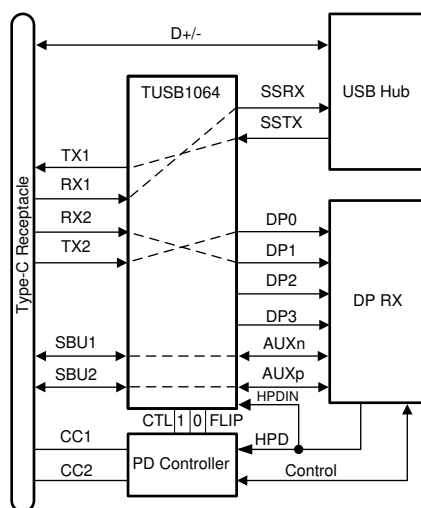
TUSB1064には、いくつかのレベルの受信リニア・イコライゼーションがあり、ケーブルおよびボード配線での損失によるシンボル間干渉(ISI)を補償できます。単一の3.3V電源で動作し、商業用温度範囲と工業用温度範囲のバージョンがあります。

製品情報⁽¹⁾

| 型番 | パッケージ | 本体サイズ(公称) |
|-----------|-----------|---------------|
| TUSB1064 | WQFN (40) | 4.00mm×6.00mm |
| TUSB1064I | | |

(1) 利用可能なすべてのパッケージについては、このデータシートの末尾にある注文情報を参照してください。

概略回路図



TUSB1064 使用事例



目次

| | | | | | |
|----------|--|-----------|-----------|---------------------------------------|-----------|
| 1 | 特長 | 1 | 8.4 | Device Functional Modes | 18 |
| 2 | アプリケーション | 1 | 8.5 | Programming | 23 |
| 3 | 概要 | 1 | 8.6 | Register Maps | 25 |
| 4 | 改訂履歴 | 2 | 9 | Application and Implementation | 30 |
| 5 | Pin Configuration and Functions | 3 | 9.1 | Application Information | 30 |
| 6 | Specifications | 5 | 9.2 | Typical Application | 30 |
| 6.1 | Absolute Maximum Ratings | 5 | 9.3 | System Examples | 35 |
| 6.2 | ESD Ratings | 5 | 10 | Power Supply Recommendations | 40 |
| 6.3 | Recommended Operating Conditions | 5 | 11 | Layout | 41 |
| 6.4 | Thermal Information | 5 | 11.1 | Layout Guidelines | 41 |
| 6.5 | ELECTRICAL CHARACTERISTICS | 6 | 11.2 | Layout Example | 41 |
| 6.6 | Switching Characteristics | 9 | 12 | デバイスおよびドキュメントのサポート | 42 |
| 6.7 | Timing Requirements | 10 | 12.1 | ドキュメントの更新通知を受け取る方法 | 42 |
| 6.8 | Typical Characteristics | 11 | 12.2 | コミュニティ・リソース | 42 |
| 7 | Parameter Measurement Information | 13 | 12.3 | 商標 | 42 |
| 8 | Detailed Description | 15 | 12.4 | 静電気放電に関する注意事項 | 42 |
| 8.1 | Overview | 15 | 12.5 | Glossary | 42 |
| 8.2 | Functional Block Diagram | 16 | 13 | メカニカル、パッケージ、および注文情報 | 42 |
| 8.3 | Feature Description | 17 | | | |

4 改訂履歴

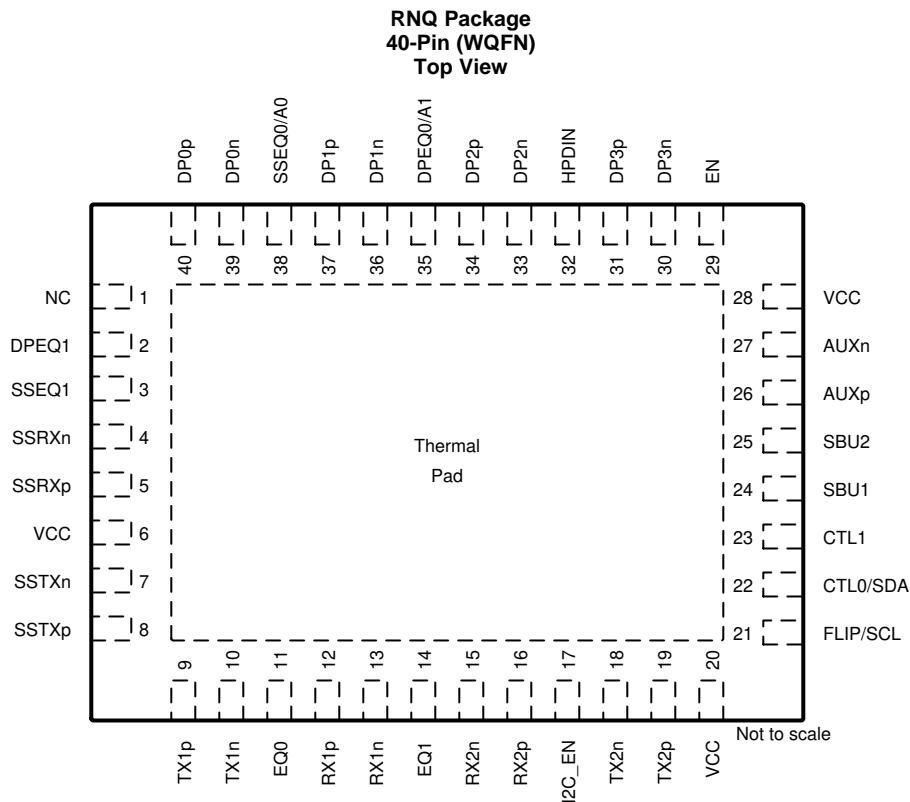
資料番号末尾の英字は改訂を表しています。その改訂履歴は英語版に準じています。

| Revision B (May 2019) から Revision C に変更 | Page |
|---|------|
| • Added note to disable AUX snoop to resolve interop issues with a non-compliant AUX source. | 17 |

| Revision A (November 2018) から Revision B に変更 | Page |
|---|------|
| • Added following to pin 38 description: If I2C_EN = "F", then this pin must be set to "F" or "0". | 4 |
| • Changed G _{LF} min, typ, and max from -1, 0, 1 to -2.5, 0.5, and 3.5 respectively. | 8 |
| • Added G _{LF_LFPS_TX1/2} to AC electrical | 8 |

| 2018年3月発行のものから更新 | Page |
|--|------|
| • Changed the RNQ pin image appearance | 3 |
| • Changed the column on EN From: I To: 2 Level I (PD) | 4 |
| • Changed the EN pin Description in the <i>Pin Functions</i> table | 4 |
| • Changed the HPDIN pin From: I/O To: 2 Level I | 4 |
| • Added pull-down indicator (PD) in the I/O column on FLIP/SCL and CTL0/SDA pins | 4 |
| • Added Junction temperature to absolute maximum ratings table. | 5 |
| • From: Internal pull-down resistance for CTL1. To: Internal pull-down resistance for CTL1, CTL0, FLIP, and EN. | 6 |
| • Deleted EN from Note 1 of 表 8 | 23 |

5 Pin Configuration and Functions



Pin Functions

| PIN | | I/O | DESCRIPTION |
|-------|-----|----------|--|
| NAME | NO. | | |
| DP0p | 40 | Diff O | DP Differential positive output for DisplayPort Lane 0. |
| DP0n | 39 | Diff O | DP Differential negative output for DisplayPort Lane 0. |
| DP1p | 37 | Diff O | DP Differential positive output for DisplayPort Lane 1. |
| DP1n | 36 | Diff O | DP Differential negative output for DisplayPort Lane 1. |
| DP2p | 34 | Diff O | DP Differential positive output for DisplayPort Lane 2. |
| DP2n | 33 | Diff O | DP Differential negative output for DisplayPort Lane 2. |
| DP3p | 31 | Diff O | DP Differential positive output for DisplayPort Lane 3. |
| DP3n | 30 | Diff O | DP Differential negative output for DisplayPort Lane 3. |
| TX1n | 10 | Diff I/O | Differential negative input for DisplayPort or differential negative output for USB3.1 upstream facing port. |
| TX1p | 9 | Diff I/O | Differential positive input for DisplayPort or differential positive output for USB3.1 upstream facing port. |
| RX1n | 13 | Diff I | Differential negative input for DisplayPort or USB3.1 upstream facing port. |
| RX1p | 12 | Diff I | Differential positive input for DisplayPort or USB 3.1 upstream facing port. |
| RX2p | 16 | Diff I | Differential positive input for DisplayPort or USB 3.1 upstream facing port. |
| RX2n | 15 | Diff I | Differential negative input for DisplayPort or USB 3.1 upstream facing port. |
| TX2p | 19 | Diff I/O | Differential positive input for DisplayPort or differential positive output for USB3.1 upstream Facing port. |
| TX2n | 18 | Diff I/O | Differential negative input for DisplayPort or differential negative output for USB3.1 upstream Facing port. |
| SSTXp | 8 | Diff I | Differential positive input for USB3.1 downstream facing port. |
| SSTXn | 7 | Diff I | Differential negative input for USB3.1 downstream facing port. |
| SSRXp | 5 | Diff O | Differential positive output for USB3.1 downstream facing port. |

Pin Functions (continued)

| PIN | | I/O | DESCRIPTION |
|----------|-------------|---------------------------|---|
| NAME | NO. | | |
| SSRXn | 4 | Diff O | Differential negative output for USB3.1 downstream facing port. |
| EQ1 | 14 | 4 Level I | This pin along with EQ0 sets the USB receiver equalizer gain for upstream facing RX1 and RX2 when USB used. Up to 11dB of EQ available. |
| EQ0 | 11 | 4 Level I | This pin along with EQ1 sets the USB receiver equalizer gain for upstream facing RX1 and RX2 when USB used. Up to 11 dB of EQ available. |
| EN | 29 | 2 Level I (PD) | Device Enable, when I2C_EN = '0'. Device disable function not used when I2C_EN ≠ '0'. L = Device Disabled H = Device Enabled On rising edge of EN pin, the device will sample all 4-level inputs including the I2C_EN pin. EN pin will not reset the I ² C registers. |
| HPDIN | 32 | 2 Level I | Hot Plug Detect. This pin is an input for Hot Plug Detect received from DisplayPort sink. When HPDIN is Low for greater than 2ms, all DisplayPort lanes are disabled while the AUX to SBU switch will remain closed. |
| I2C_EN | 17 | 4 Level I | I ² C Programming Mode or GPIO Programming Select. I2C is only disabled when this pin is '0'. 0 = GPIO mode (I ² C disabled) R = TI Test Mode (I ² C enabled at 3.3 V) F = I ² C enabled at 1.8 V 1 = I ² C enabled at 3.3 V. |
| SBU1 | 24 | I/O, CMOS | SBU1. This pin should be DC coupled to the SBU1 pin on the Type-C receptacle. A 2-M ohm resistor to GND is also recommended. |
| SBU2 | 25 | I/O, CMOS | SBU2. This pin should be DC coupled to the SBU2 pin on the Type-C receptacle. A 2-M ohm resistor to GND is also recommended. |
| AUXp | 26 | I/O, CMOS | AUXp. DisplayPort AUX positive I/O connected to the DisplayPort sink through a AC coupling capacitor. In addition to AC coupling capacitor, this pin also requires a 1M resistor to DP_PWR (3.3 V). This pin along with AUXN is used by the TUSB1064 for AUX snooping and is routed to SBU1/2 based on the orientation of the Type-C. |
| AUXn | 27 | I/O, CMOS | AUXn. DisplayPort AUX negative I/O connected to the DisplayPort sink through a AC coupling capacitor. In addition to AC coupling capacitor, this pin also requires a 1M resistor to GND. This pin along with AUXP is used by the TUSB1064 for AUX snooping and is routed to SBU1/2 based on the orientation of the Type-C. |
| DPEQ1 | 2 | 4 Level I | DisplayPort Receiver EQ. This along with DPEQ0 will select the DisplayPort receiver equalization gain. |
| DPEQ0/A1 | 35 | 4 Level I | DisplayPort Receiver EQ. This along with DPEQ1 will select the DisplayPort receiver equalization gain. When I2C_EN ≠ '0', this pin will also set the TUSB1064 I ² C address. |
| SSEQ1 | 3 | 4 Level I | Along with SSEQ0, sets the USB receiver equalizer gain for downstream facing SSTXP/N. |
| SSEQ0/A0 | 38 | 4 Level I | Along with SSEQ1, sets the USB receiver equalizer gain for downstream facing SSTXP/N. When I2C_EN ≠ '0', this pin will also set the TUSB1064 I ² C address. If I2C_EN = "F", then this pin must be set to "F" or "0". |
| FLIP/SCL | 21 | 2 Level I (Failsafe) (PD) | When I2C_EN = '0' this is Flip control pin, otherwise this pin is I ² C clock. . When used for I ² C clock pullup to I ² C master's VCC I2C supply. |
| CTL0/SDA | 22 | 2 Level I (Failsafe) (PD) | When I2C_EN = '0' this is a USB3.1 Switch control pin, otherwise this pin is I ² C data. When used for I ² C data pullup to I ² C master's VCC I2C supply. |
| CTL1 | 23 | 2 Level I (Failsafe) (PD) | DP Alt mode Switch Control Pin. When I2C_EN = '0', this pin will enable or disable DisplayPort functionality. Otherwise, when I2C_EN ≠ '0', DisplayPort functionality is enabled and disabled through I ² C registers. L = DisplayPort Disabled. H = DisplayPort Enabled. |
| VCC | 6, 20, 28 | P | 3.3-V Power Supply |
| NC | 1 | NC | No connect pin. Leave open. |
| GND | Thermal Pad | G | Ground |

6 Specifications

6.1 Absolute Maximum Ratings

over operating free-air temperature and voltage range (unless otherwise noted)⁽¹⁾

| | | MIN | MAX | UNIT |
|----------------------|---|------|------|------|
| V _{CC} | Supply Voltage Range | -0.3 | 4 | V |
| V _{IN_DIFF} | Differential Voltage at Differential Inputs | | ±2.5 | V |
| V _{IN_SE} | Input Voltage at Differential Inputs | -0.5 | 4 | V |
| V _{IN_CMOS} | Input Voltage at CMOS Inputs | -0.3 | 4 | V |
| T _J | TUSB1064 Junction Temperature | | 110 | °C |
| | TUSB1064I Junction Temperature | | 125 | °C |
| T _{STG} | Storage temperature | -65 | 150 | °C |

- (1) Stresses beyond those listed under *Absolute Maximum Rating* may cause permanent damage to the device. These are stress ratings only, which do not imply functional operation of the device at these or any other conditions beyond those indicated under *Recommended Operating Condition*. Exposure to absolute-maximum-rated conditions for extended periods may affect device reliability.

6.2 ESD Ratings

| | | | VALUE | UNIT |
|--------------------|-------------------------|--|-------|------|
| V _(ESD) | Electrostatic discharge | Human body model (HBM), per ANSI/ESDA/JEDEC JS-001, all pins ⁽¹⁾ | ±5000 | V |
| | | Charged device model (CDM), per JEDEC specification JESD22-C101, all pins ⁽²⁾ | ±1500 | |

- (1) JEDEC document JEP155 states that 500-V HBM allows safe manufacturing with a standard ESD control process.
(2) JEDEC document JEP157 states that 250-V CDM allows safe manufacturing with a standard ESD control process.

6.3 Recommended Operating Conditions

over operating free-air temperature and voltage range (unless otherwise noted)

| | | MIN | NOM | MAX | UNIT |
|----------------------|--|-----|-----|-----|------|
| T _A | Ambient temperature for TUSB1064 | 0 | | 70 | °C |
| T _A | Ambient temperature for TUSB1064I | -40 | | 85 | °C |
| V _{CC} | Supply voltage | 3 | 3.3 | 3.6 | V |
| V _{CC_RAMP} | Power supply ramp | 0.1 | | 100 | ms |
| V _{I2C} | Supply that external resistors on SDA and SCL are pulled up to | 1.7 | | 3.6 | V |
| V _{PSN} | Power supply noise on VCC | | | 100 | mV |

6.4 Thermal Information

| THERMAL METRIC ⁽¹⁾ | | TUSB1064 | UNIT |
|-------------------------------|--|------------|------|
| | | RNQ (WQFN) | |
| | | 40 PINS | |
| R _{θJA} | Junction-to-ambient thermal resistance | 37.6 | °C/W |
| R _{θJC(top)} | Junction-to-case (top) thermal resistance | 20.7 | °C/W |
| R _{θJB} | Junction-to-board thermal resistance | 9.5 | °C/W |
| Ψ _{JT} | Junction-to-top characterization parameter | 0.2 | °C/W |
| Ψ _{JB} | Junction-to-board characterization parameter | 9.4 | °C/W |
| R _{θJC(bot)} | Junction-to-case (bottom) thermal resistance | 2.3 | °C/W |

- (1) For more information about traditional and new thermal metrics, see the [Semiconductor and IC Package Thermal Metrics](#) application report.

6.5 ELECTRICAL CHARACTERISTICS

over operating free-air temperature and voltage range (unless otherwise noted)

| PARAMETER | | TEST CONDITIONS | MIN | TYP | MAX | UNIT |
|--|---|--|------------------------|------|------------------------|------|
| Power | | | | | | |
| P _{CC-ACTIVE-USB} | Average active power in USB-only mode while in U0. | CTL1 = L; CTL0 = H; Link in U0 at 10Gbps; | | 330 | | mW |
| P _{CC-ACTIVE-USB-DP} | Average active power in USB + 2 lane DP mode. | CTL1 = H; CTL0 = H; USB in U0 at 10Gbps; DP at 8.1Gbps; | | 660 | | mW |
| P _{CC-ACTIVE-DP} | Average active power in 4 lane DP mode. | CTL1 = H; CTL0 = L; Four DP lanes at 8.1Gbps | | 660 | | mW |
| P _{CC-NC-USB} | Average power in USB mode while in disconnect state. | CTL1 = L; CTL0 = H; No USB device detected; | | 2.5 | | mW |
| P _{CC-U2U3} | Average power in USB mode while in U2/U3 state | CTL1 = L; CTL0 = H; Link in U2 or U3; | | 2.5 | | mW |
| P _{CC-SHUTDOWN} | Average power in Shutdown mode. | CTL1 = L; CTL0 = L; I2C_EN = "0"; | | 0.7 | | mW |
| 4-State CMOS Inputs(EQ[1:0], SSEQ[1:0], DPEQ[1:0], I2C_EN) | | | | | | |
| I _{IH} | High-level input current | V _{CC} = 3.6 V; V _{IN} = 3.6 V | 20 | | 80 | μA |
| I _{IL} | Low-level input current | V _{CC} = 3.6 V; V _{IN} = 0 V | -160 | | -40 | μA |
| 4-Level V _{TH} | Threshold 0 / R | V _{CC} = 3.3 V | | 0.55 | | V |
| | Threshold R/ Float | V _{CC} = 3.3 V | | 1.65 | | V |
| | Threshold Float / 1 | V _{CC} = 3.3 V | | 2.7 | | V |
| R _{PU} | Internal pull up resistance | | | 45 | | kΩ |
| R _{PD} | Internal pull-down resistance | | | 95 | | kΩ |
| 2-State CMOS Input (CTL0, CTL1, FLIP, EN, HPDIN) CTL1, CTL0 and FLIP are Failsafe | | | | | | |
| V _{IH} | High-level input voltage | | 2 | | 3.6 | V |
| V _{IL} | Low-level input voltage | | 0 | | 0.8 | V |
| R _{PD} | Internal pull-down resistance for CTL1, CTL0, FLIP, and EN. | | | 500 | | kΩ |
| I _{IH} | High-level input current | V _{IN} = 3.6 V | -25 | | 25 | μA |
| I _{IL} | Low-level input current | V _{IN} = GND, V _{CC} = 3.6 V | -25 | | 25 | μA |
| I2C Control Pins SCL, SDA | | | | | | |
| V _{IH} | High-level input voltage | I2C_EN != 0 | 0.7 × V _{I2C} | | 3.6 | V |
| V _{IL} | Low-level input voltage | I2C_EN != 0 | 0 | | 0.3 × V _{I2C} | V |
| V _{OL} | Low-level output voltage | I2C_EN != 0; I _{OL} = 3 mA | 0 | | 0.4 | V |
| I _{OL} | Low-level output current | I2C_EN != 0; V _{OL} = 0.4 V | 20 | | | mA |
| I _{I_I2C} | Input current on SDA pin | 0.1 × V _{I2C} < Input voltage < 3.3 V | -10 | | 10 | μA |
| C _{I_I2C} | Input capacitance | | | | 10 | pF |
| USB Differential Receiver (RX1P/N, RX2P/N, SSTXP/N) | | | | | | |
| V _{RX-DIFF-PP} | Input differential peak-peak voltage swing linear dynamic range | AC-coupled differential peak-to-peak signal measured post CTLE through a reference channel | | 2000 | | mVpp |
| V _{RX-DC-CM} | Common-mode voltage bias in the receiver (DC) | | | 0 | | V |
| R _{RX-DIFF-DC} | Differential input impedance (DC) | Present after a USB3.1 device is detected on TXP/TXN | 72 | | 120 | Ω |
| R _{RX-CM-DC} | Receiver DC Common Mode impedance | Present after a USB3.1 device is detected on TXP/TXN | 18 | | 30 | Ω |

ELECTRICAL CHARACTERISTICS (continued)

over operating free-air temperature and voltage range (unless otherwise noted)

| PARAMETER | | TEST CONDITIONS | MIN | TYP | MAX | UNIT |
|---|---|--|------|------|------|------|
| Z _{RX-HIGH-IMP-DC-POS} | Common-mode input impedance with termination disabled (DC) | Present when no USB3.1 device is detected on TXP/TXN. Measured over the range of 0-500 mV with respect to GND. | 25 | | | kΩ |
| V _{SIGNAL-DET-DIFF-PP} | Input Differential peak-to-peak Signal Detect Assert Level | at 10Gbps, No loss and bit rate PRBS7 pattern | | 79 | | mV |
| V _{RX-IDLE-DET-DIFF-PP} | Input Differential peak-to-peak Signal Detect De-assert Level | at 10 Gbps, No loss and bit rate PRBS7 pattern | | 58 | | mV |
| V _{RX-LFPS-DET-DIFF-PP} | Low-frequency Periodic Signaling (LFPS) Detect Threshold | Below the minimum is squelched. | 100 | | 300 | mV |
| C _{RX} | RX input capacitance to GND | At 2.5 GHz | | 0.5 | 1 | pF |
| RL _{RX-DIFF} | Differential Return Loss | 50 MHz – 1.25 GHz at 90 Ω | | -13 | | dB |
| RL _{RX-DIFF} | Differential Return Loss | 5 GHz at 90 Ω | | -9 | | dB |
| RL _{RX-CM} | Common Mode Return Loss | 50 MHz – 5 GHz at 90 Ω | | -8 | | dB |
| EQ _{SSP} | Receiver equalization | SSEQ[1:0] and EQ[1:0] at 5 GHz. | | 12 | | dB |
| USB Differential Transmitter (TX1P/N, TX2P/N, SSRXP/N) | | | | | | |
| V _{TX-DIFF-PP} | Transmitter dynamic differential voltage swing range. | | | 1300 | | mVpp |
| V _{TX-RCV-DETECT} | Amount of voltage change allowed during Receiver Detection | at 3.3 V | | | 600 | mV |
| V _{TX-CM-IDLE-DELTA} | Transmitter idle common-mode voltage change while in U2/U3 and not actively transmitting LFPS | measured at the connector side of the AC coupling caps with 50 Ω load | -600 | | 600 | mV |
| V _{TX-DC-CM} | Common-mode voltage bias in the transmitter (DC) | | 0 | | 2 | V |
| V _{TX-CM-AC-PP-ACTIVE} | Tx AC Common-mode voltage active | At 3.3V; Max mismatch from Txp+Txn for both time and amplitude | | | 100 | mVpp |
| V _{TX-IDLE-DIFF-AC-PP} | AC Electrical idle differential peak-to-peak output voltage | At package pins | 0 | | 10 | mV |
| V _{TX-IDLE-DIFF-DC} | DC Electrical idle differential output voltage | At package pins after low-pass filter to remove AC component | 0 | | 14 | mV |
| V _{TX-CM-DC-ACTIVE-IDLE-DELTA} | Absolute DC common mode voltage between U1 and U0 | At package pin | | | 200 | mV |
| C _{TX} | TX input capacitance to GND | At 2.5 GHz | | | 1.25 | pF |
| R _{TX-DIFF} | Differential impedance of the driver | | 75 | | 120 | Ω |
| C _{AC-COUPLING} | AC Coupling capacitor | | 75 | | 265 | nF |
| R _{TX-CM} | Common-mode impedance of the driver | Measured with respect to AC ground over 0-500 mV | 18 | | 30 | Ω |
| I _{TX-SHORT} | TX short circuit current | TX+/- shorted to GND | | | 67 | mA |
| RL _{TX-DIFF} | Differential Return Loss | 50 MHz – 1.25 GHz at 90 Ω | | -17 | | dB |
| RL _{TX-DIFF-5G} | Differential Return Loss | 5 GHz at 90 Ω | | -12 | | dB |
| RL _{TX-CM} | Common Mode Return Loss | 50 MHz – 5 GHz at 90 Ω | | -9 | | dB |
| AC Electrical Characteristics for USB and DP | | | | | | |

ELECTRICAL CHARACTERISTICS (continued)

over operating free-air temperature and voltage range (unless otherwise noted)

| PARAMETER | | TEST CONDITIONS | MIN | TYP | MAX | UNIT |
|--|--|---|------|------|-----|----------|
| Crosstalk | Differential Cross Talk between TX and RX signal Pairs | at 5 GHz | | -27 | | dB |
| G_{LF} | Low-frequency voltage gain. | at 100 MHz, 600 mVpp V_{ID} | -2.5 | 0.5 | 3.5 | dB |
| $G_{LF_LFPS_TX1/2}$ | Low-frequency voltage gain for SSTX->TX1/TX2 path. | at 10 to 50MHz sine wave; 1.0Vpp V_{ID} ; EQ = 0; FLIP = 0 and 1; | 0 | 0.8 | 1.6 | dB |
| $CP_{1\text{ dB-LF}}$ | Low-frequency 1-dB compression point | at 100 MHz, 200 mVpp < V_{ID} < 2000 mVpp | | 1000 | | mVpp |
| $CP_{1\text{ dB-HF}}$ | High-frequency 1-dB compression point | at 5 GHz, 200 mVpp < V_{ID} < 2000 mVpp | | 770 | | mVpp |
| f_{LF} | Low-frequency cutoff | 200 mVpp < V_{ID} < 2000 mVpp | | 20 | 50 | kHz |
| D_{J_10G} | TX output deterministic jitter | 200 mVpp < V_{ID} < 2000 mVpp, PRBS7, 10 Gbps | | 0.10 | | UIpp |
| $D_{J_8.1G}$ | TX output deterministic jitter | 200 mVpp < V_{ID} < 2000 mVpp, PRBS7, 8.1 Gbps | | 0.08 | | UIpp |
| T_{J_10G} | TX output total jitter | 200 mVpp < V_{ID} < 2000 mVpp, PRBS7, 10 Gbps | | 0.13 | | UIpp |
| $T_{J_8.1G}$ | TX output total jitter | 200 mVpp < V_{ID} < 2000 mVpp, PRBS7, 8.1 Gbps | | 0.12 | | UIpp |
| DisplayPort Receiver (TX1P/N, TX2P/N, RX1P/N, RX2P/N) | | | | | | |
| V_{ID_PP} | Peak-to-peak input differential dynamic voltage range | | | 2000 | | mV |
| V_{IC} | Input Common Mode Voltage | | | 0 | | V |
| C_{AC} | AC coupling capacitance | | 75 | | 265 | nF |
| EQ_{DP} | Receiver Equalizer | DPEQ1, DPEQ0 at 4.05 GHz | | 12 | | dB |
| d_R | Data rate | HBR3 | | | 8.1 | Gbps |
| R_{ti} | Input Termination resistance | | 80 | 100 | 120 | Ω |
| DisplayPort Transmitter (DP[3:0]P/N) | | | | | | |
| V_{TX_DIFFPP} | VOD dynamic range | | | 1300 | | mV |
| I_{TX_SHORT} | TX short circuit current | TX+/- shorted to GND | | | 67 | mA |
| AUXP/N and SBU1/2 | | | | | | |
| R_{ON} | Output ON resistance | $V_{CC} = 3.3\text{ V}$; $V_{IN} = 0$ to 0.4 V for AUXP; $V_{IN} = 2.7\text{ V}$ to 3.6 V for AUXN | | 5 | 10 | Ω |
| $R_{ON_MISMATCH}$ | Δ ON resistance mismatch within pair | $V_{CC} = 3.3\text{ V}$; $V_{IN} = 0$ to 0.4 V for AUXP; $V_{IN} = 2.7\text{ V}$ to 3.6 V for AUXN | | | 1 | Ω |
| R_{ON_FLAT} | ON resistance flatness ($R_{ONmax} - R_{ONmin}$) measured at identical VCC and temperature | $V_{CC} = 3.3\text{ V}$; $V_{IN} = 0$ to 0.4 V for AUXP; $V_{IN} = 2.7\text{ V}$ to 3.6 V for AUXN | | | 2 | Ω |
| $V_{AUXP_D_C_CM}$ | AUX Channel DC common mode voltage for AUXP and SBU2. | $V_{CC} = 3.3\text{ V}$ | 0 | | 0.4 | V |
| $V_{AUXN_D_C_CM}$ | AUX Channel DC common mode voltage for AUXN and SBU1 | $V_{CC} = 3.3\text{ V}$ | 2.7 | | 3.6 | V |
| C_{AUX_ON} | ON-state capacitance | $V_{CC} = 3.3\text{ V}$; CTL1 = 1; $V_{IN} = 0\text{ V}$ or 3.3 V | | 4 | 7 | pF |
| C_{AUX_OFF} | OFF-state capacitance | $V_{CC} = 3.3\text{ V}$; CTL1 = 0; $V_{IN} = 0\text{ V}$ or 3.3 V | | 3 | 6 | pF |

6.6 Switching Characteristics

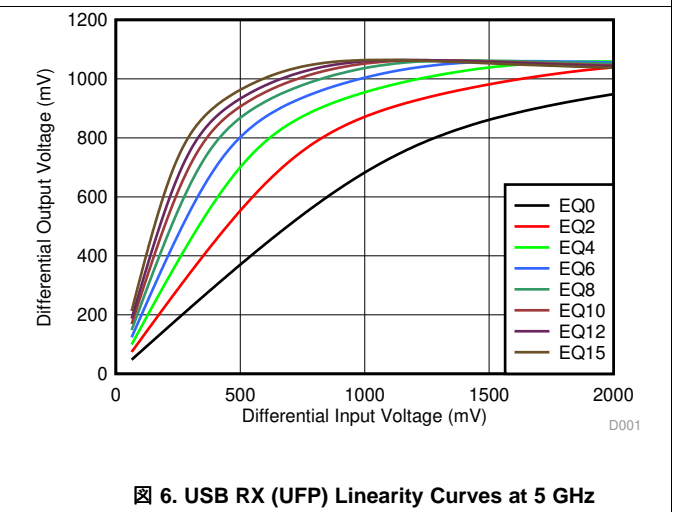
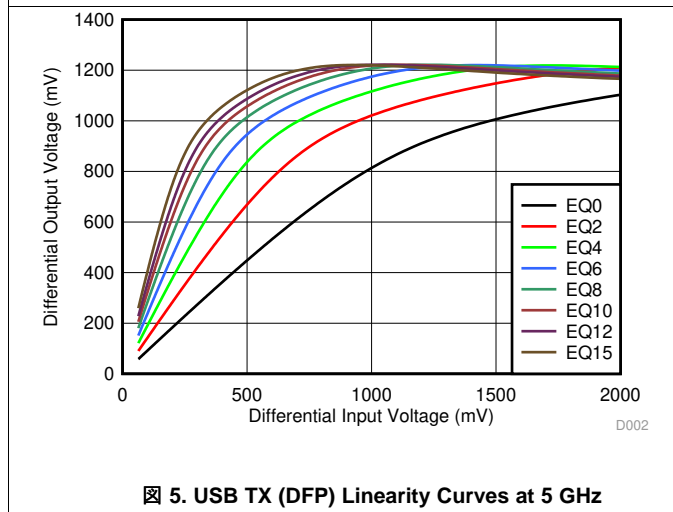
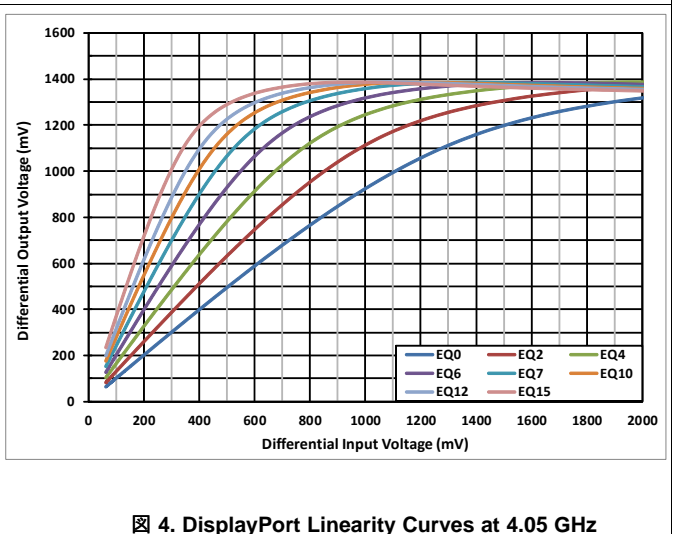
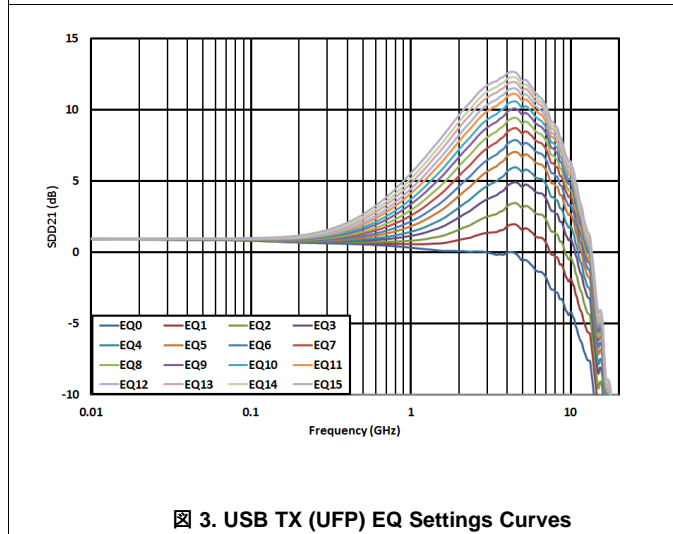
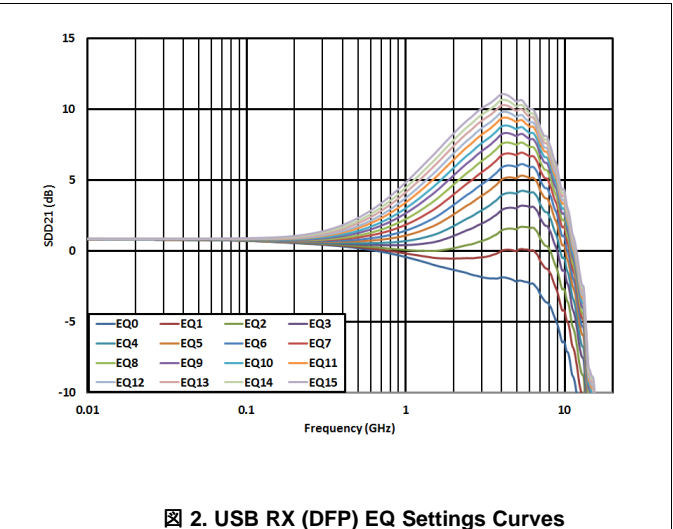
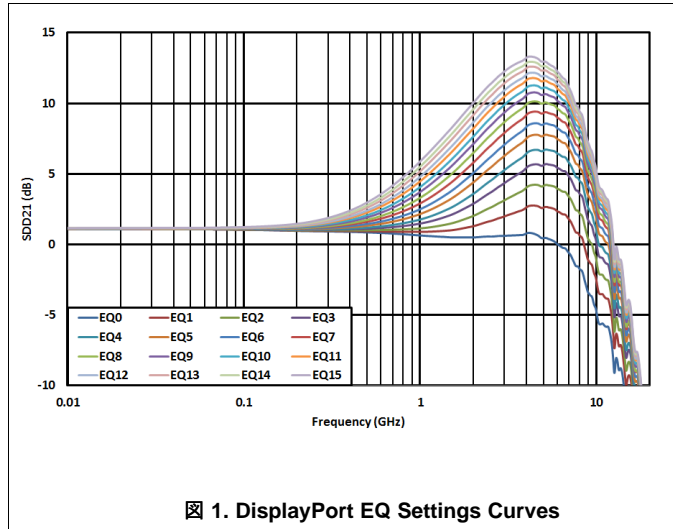
over operating free-air temperature range (unless otherwise noted)

| PARAMETER | | TEST CONDITIONS | MIN | TYP | MAX | UNIT |
|---|---|-----------------|------|-------------------------------------|------|------|
| AUXp/n and SBU1/2 | | | | | | |
| T_{AUX_PD} | Switch propagation delay | | | | 1400 | ps |
| $T_{AUX_SW_OFF}$ | Switching time CTL1 to switch OFF. Not including $T_{CTL1_DEBOUNCE}$. | | | | 7500 | ns |
| $T_{AUX_SW_ON}$ | Switching time CTL1 to switch ON | | | | 3000 | ns |
| T_{AUX_INTRA} | Intra-pair output skew | | | | 400 | ps |
| USB3.1 and DisplayPort mode transition requirement (GPIO mode) | | | | | | |
| $T_{GP_USB_4DP}$ | Min overlap of CTL0 and CTL1 when transitioning from USB 3.1 only mode to 4-Lane DisplayPort mode or vice versa | | 4 | | | μs |
| $T_{CTL1_DEBOUNCE}$ | CTL1 and HPDIN debounce time when transitioning from H to L | | 3 | | 10 | ms |
| I2C (SDA and SCL) | | | | | | |
| f_{SCL} | I2C clock frequency | | | | 1 | MHz |
| t_{BUF} | Bus free time between START and STOP conditions | | 0.5 | | | μs |
| t_{HDSTA} | Hold time after repeated START condition. After this period, the first clock pulse is generated | | 0.26 | | | μs |
| t_{LOW} | Low period of the I2C clock | | 0.5 | | | μs |
| t_{HIGH} | High period of the I2C clock | | 0.26 | | | μs |
| t_{SUSTA} | Setup time for a repeated START condition | | 0.26 | | | μs |
| t_{HDDAT} | Data hold time | | 0 | | | μs |
| t_{SUDAT} | Data setup time | | 50 | | | ns |
| t_R | Rise time of both SDA and SCL signals | | | | 120 | ns |
| t_F | Fall time of both SDA and SCL signals | | | $20 \times (V_{I2C}/5.5 \text{ V})$ | 120 | ns |
| t_{SUSTO} | Setup time for STOP condition | | 0.26 | | | μs |
| C_b | Capacitive load for each bus line | | | | 100 | pF |

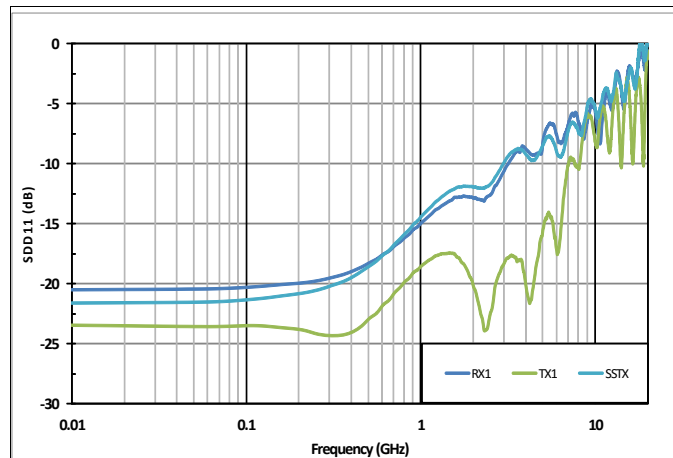
6.7 Timing Requirements

| | | MIN | NOM | MAX | UNIT |
|------------------------|--|-----|-----|-----|---------|
| USB 3.1 | | | | | |
| $t_{IDLEEntry}$ | Delay from U0 to electrical idle | | 10 | | ns |
| $t_{IDLEExit_U1}$ | U1 exist time: break in electrical idle to the transmission of LFPS | | 6 | | ns |
| $t_{IDLEExit_U2_U3}$ | U2/U3 exit time: break in electrical idle to transmission of LFPS | | 10 | | μ s |
| $t_{RXDET_INT_VL}$ | RX detect interval while in Disconnect | | | 12 | ms |
| $t_{IDLEExit_DISC}$ | Disconnect Exit Time | | 10 | | μ s |
| t_{Exit_SHTDN} | Shutdown Exit Time ($CTL0 = V_{CC}/2$ to U2/U3) | | 1 | | ms |
| t_{DIFF_DLY} | Differential Propagation Delay (20%-80% of differential voltage measured 1.7 inch from the output pin) | | | 300 | ps |
| $t_{PWRUPACTI_VE}$ | Time when Vcc reaches 70% to device active | | | 1 | ms |
| t_R, t_F | Output Rise/Fall Time | | 40 | | ps |
| t_{RF-MM} | Output Rise/Fall time mismatch (20%-80% of differential voltage measured 1.7 inch from the output pin) | | | 5 | ps |

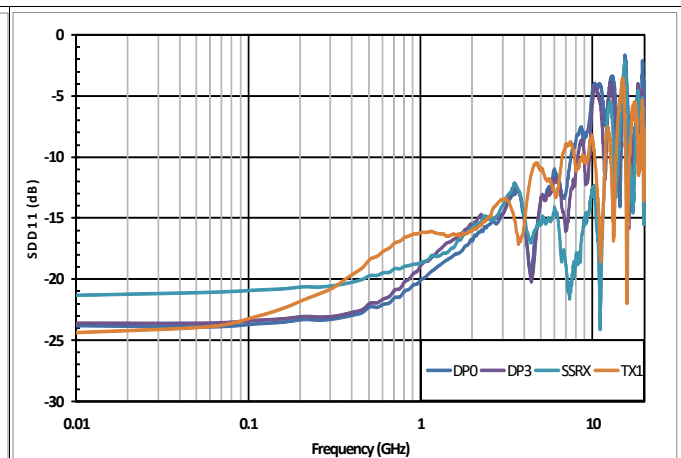
6.8 Typical Characteristics



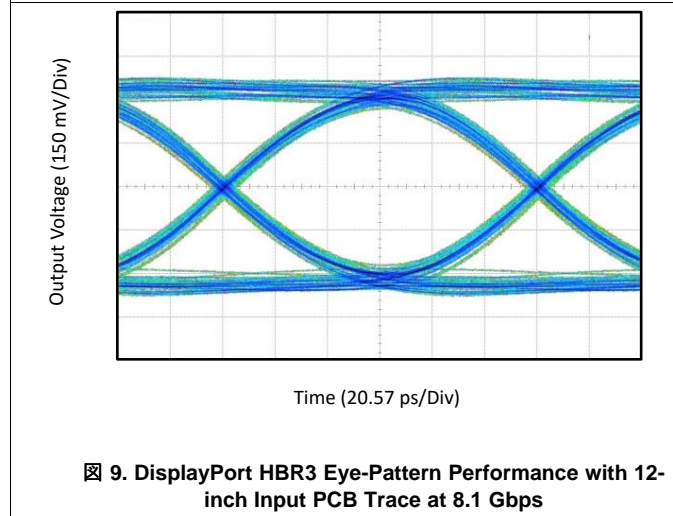
Typical Characteristics (continued)



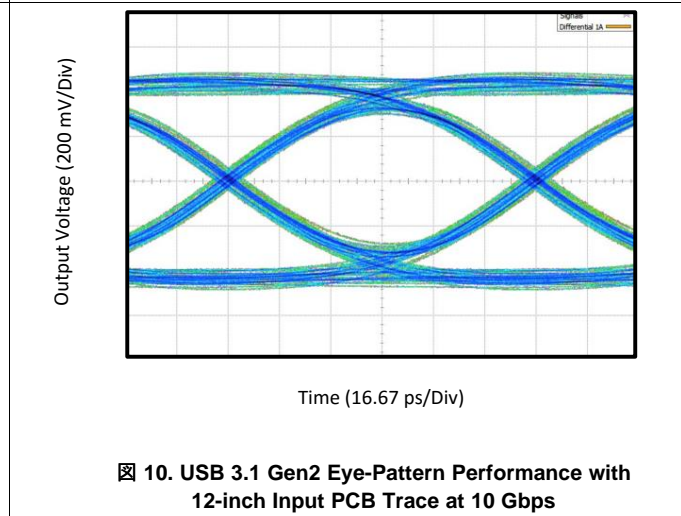
7. Input Return Loss Performance



8. Output Return Loss Performance

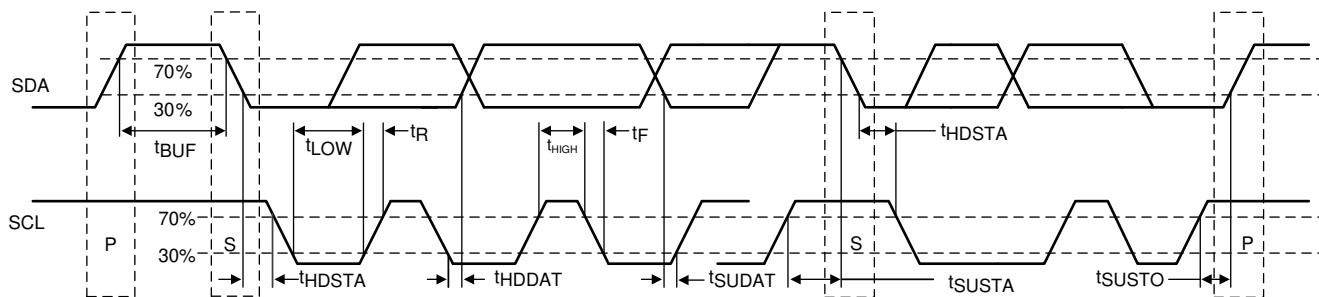


9. DisplayPort HBR3 Eye-Pattern Performance with 12-inch Input PCB Trace at 8.1 Gbps

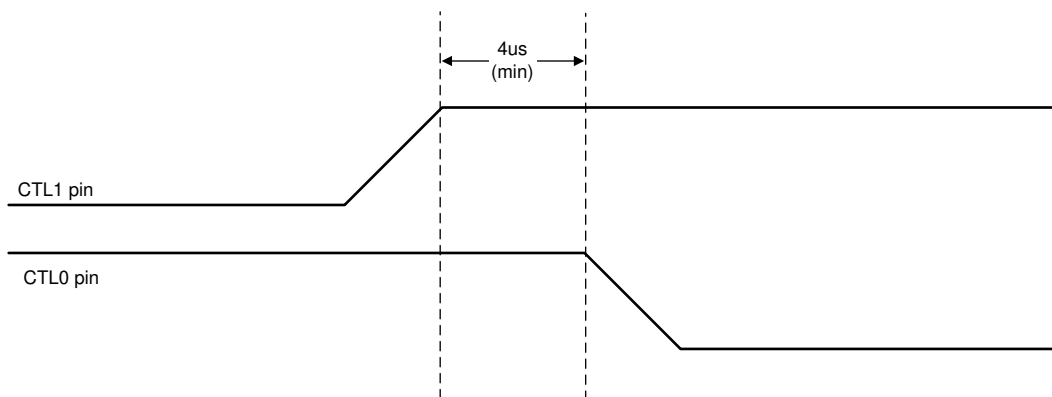


10. USB 3.1 Gen2 Eye-Pattern Performance with 12-inch Input PCB Trace at 10 Gbps

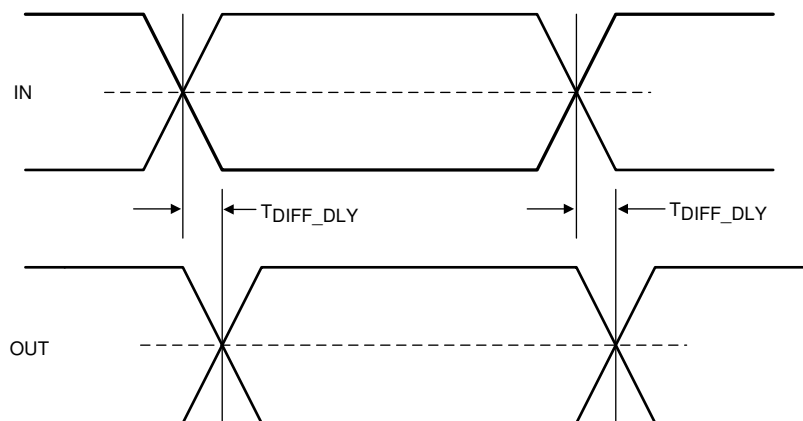
7 Parameter Measurement Information



⊠ 11. I²C Timing Diagram Definitions



⊠ 12. USB3.1 to 4-Lane DisplayPort in GPIO Mode



⊠ 13. Propagation Delay

Parameter Measurement Information (continued)

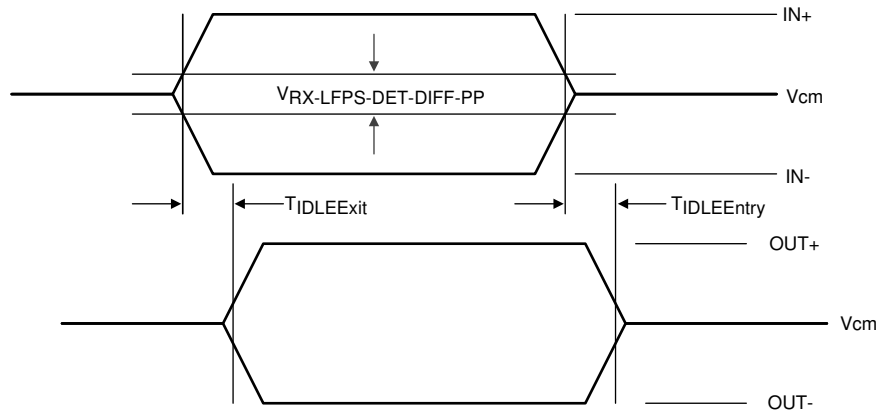


图 14. Electrical Idle Mode Exit and Entry Delay

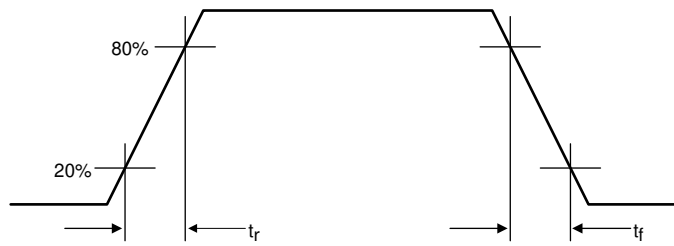


图 15. Output Rise and Fall Times

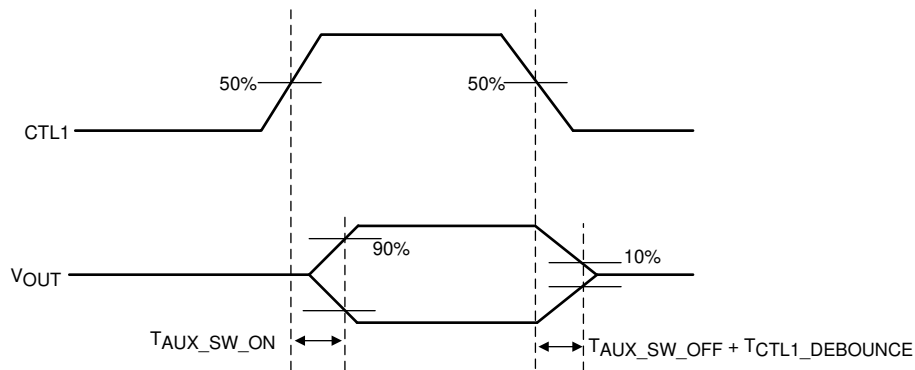


图 16. AUX and SBU Switch ON and OFF Timing Diagram

8 Detailed Description

8.1 Overview

The TUSB1064 is a VESA USB Type-C Alt Mode re-driving switch supporting data rates up to 8.1 Gbps for upstream facing port. This device uses 5th generation USB re-driver technology. The device is used for UFP pin assignments C and D from the VESA DisplayPort Alt Mode on USB Type-C Standard.

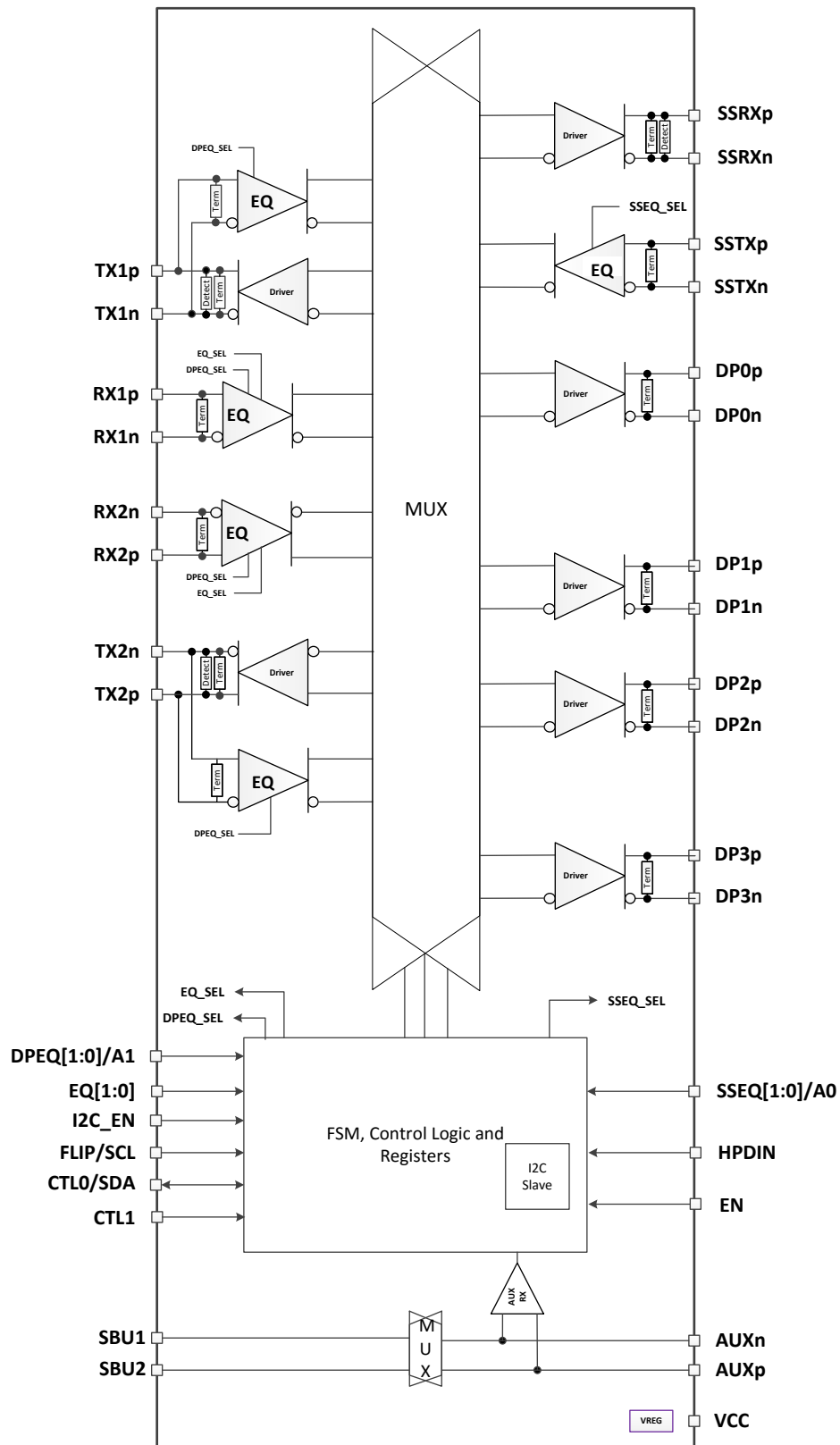
The TUSB1064 provides several levels of receive equalization to compensate for cable and board trace loss which if not equalized causes inter-symbol interference (ISI) when USB 3.1 Gen 2 or DisplayPort 1.4 signals travel across a PCB or cable. This device requires a 3.3-V power supply. It comes in a commercial temperature range and industrial temperature range.

For a sink application, the TUSB1064 enables the system to pass both transmitter compliance and receiver jitter tolerance tests for USB 3.1 Gen 2 and DisplayPort version 1.4 HBR3. The re-driver recovers incoming data by applying equalization that compensates for channel loss, and drives out signals with a high differential voltage. Each channel has a receiver equalizer with selectable gain settings. The equalization should be set based on the amount of insertion loss in the channels connected to the TUSB1064. Independent equalization control for each channel can be set using EQ[1:0], SSEQ[1:0], and DPEQ[1:0] pins.

The TUSB1064 advanced state machine makes it transparent to hosts and devices. After power up, the TUSB1064 periodically performs receiver detection on the TX pairs. If it detects a USB 3.1 receiver, the RX termination is enabled, and the TTUSB1064 is ready to re-drive.

The device ultra-low-power architecture operates at a 3.3-V power supply and achieves Enhanced performance. The automatic LFPS De-Emphasis control further enables the system to be USB3.1 compliant.

8.2 Functional Block Diagram



Copyright © 2017, Texas Instruments Incorporated

8.3 Feature Description

8.3.1 USB 3.1

The TUSB1064 supports USB 3.1 Gen 2 datarates up to 10 Gbps. The TUSB1064 supports all the USB defined power states (U0, U1, U2, and U3). Because the TUSB1064 is a linear redriver, it can't decode USB3.1 physical layer traffic. The TUSB1064 monitors the actual physical layer conditions like receiver termination, electrical idle, LFPS, and SuperSpeed signaling rate to determine the USB power state of the USB 3.1 interface.

The TUSB1064 features an intelligent low frequency periodic signaling (LFPS) detector. The LFPS detector automatically senses the low frequency signals and disables receiver equalization functionality. When not receiving LFPS, the TUSB1064 enables receiver equalization based on the EQ[1:0] and SSEQ[1:0] pins or values programmed into EQ1_SEL, EQ2_SEL, and SSEQ_SEL registers.

8.3.2 DisplayPort

The TUSB1064 supports up to 4 DisplayPort lanes at datarates up to 8.1Gbps (HBR3). The TUSB1064, when configured in DisplayPort mode, monitors the native AUX traffic as it traverses between DisplayPort source and DisplayPort sink. For the purposes of reducing power, the TUSB1064 manages the number of active DisplayPort lanes based on the content of the AUX transactions. The TUSB1064 snoops native AUX writes to DisplayPort sink's DPCD registers 0x00101 (LANE_COUNT_SET) and 0x00600 (SET_POWER_STATE). TUSB1064 disables/enables lanes based on value written to LANE_COUNT_SET. The TUSB1064 disables all lanes when SET_POWER_STATE is in the D3. Otherwise, active lanes are based on value of LANE_COUNT_SET.

DisplayPort AUX snooping is enabled by default but can be disabled by changing the AUX_SNOOP_DISABLE register. Once AUX snoop is disabled, management of TUSB1064 DisplayPort lanes are controlled through various configuration registers.

注

AUX snooping feature is only supported when TUSB1064 is configured for I2C mode. When TUSB1064 is configured for GPIO mode, the AUX snoop feature is disabled and all four DP lanes are enabled if HPDIN is asserted high.

When TUSB1064's AUX snoop feature is enabled, the syncs defined by the DisplayPort standard must be received in order for AUX snoop feature to function properly. AUX writes to panel's DPCD address 0x00600 and 0x00101 should result in SET_POWER_STATE and LANE_COUNT_SET fields at TUSB1064's offset 0x12 to get set to the appropriate value. If these fields do not get set correctly, then incoming AUX may not be compliant. If this is the case, then it is best to disable AUX snoop by setting the AUX_SNOOP_DISABLE field at offset 0x13.

8.3.3 4-level Inputs

The TUSB1064 has (I2C_EN, EQ[1:0], DPEQ[1:0], and SSEQ[1:0]) 4-level inputs pins that are used to control the equalization gain and place TUSB1064 into different modes of operation. These 4-level inputs utilize a resistor divider to help set the 4 valid levels and provide a wider range of control settings. There is an internal 35 kΩ pull-up and a 95 kΩ pull-down. These resistors, together with the external resistor connection combine to achieve the desired voltage level.

表 1. 4-Level Control Pin Settings

| LEVEL | SETTINGS |
|-------|---|
| 0 | Option 1: Tie 1 KΩ 5% to GND. Option 2: Tie directly to GND. |
| R | Tie 20 KΩ 5% to GND. |
| F | Float (leave pin open) |
| 1 | Option 1: Tie 1 KΩ 5% to V _{CC} . Option 2: Tie directly to V _{CC} . |

注

All four-level inputs are latched on rising edge of internal reset. After $t_{\text{cfg_hd}}$, the internal pull-up and pull-down resistors will be isolated in order to save power.

8.3.4 Receiver Linear Equalization

The purpose of receiver equalization is to compensate for channel insertion loss and the resulting inter-symbol interference in the system before the input or after the output of the TUSB1064. The receiver overcomes these losses by attenuating the low frequency components of the signals with respect to the high frequency components. The proper gain setting should be selected to match the channel insertion loss. Two 4-level input pins enable up to 16 possible equalization settings. USB3.1 upstream path, USB3.1 downstream path, and DisplayPort each have their own two 4-level inputs. The TUSB1064 also provides the flexibility of adjusting settings through I²C registers.

8.4 Device Functional Modes

8.4.1 Device Configuration in GPIO Mode

The TUSB1064 is in GPIO configuration when I2C_EN = “0”. The TUSB1064 supports the following configurations: USB 3.1 only, 2 DisplayPort lanes + USB 3.1, or 4 DisplayPort lanes (no USB 3.1). The CTL1 pin controls whether DisplayPort is enabled. The combination of CTL1 and CTL0 selects between USB 3.1 only, 2 lanes of DisplayPort, or 4-lanes of DisplayPort as detailed in 表 2. The AUXp or AUXn to SBU1 or SBU2 mapping is controlled based on 表 3.

After power-up (V_{CC} from 0 V to 3.3 V), the TUSB1064 defaults to USB3.1 mode. The USB PD controller upon detecting no device attached to Type-C port or USB3.1 operation not required by attached device must take TUSB1064 out of USB3.1 mode by transitioning the CTL0 pin from L to H and back to L.

表 2. GPIO Configuration Control

| CTL1 PIN | CTL0 PIN | FLIP PIN | CONFIGURATION | VESA DisplayPort ALT MODE UFP_D CONFIGURATION |
|----------|----------|----------|---|---|
| L | L | L | Power Down | — |
| L | L | H | Power Down | — |
| L | H | L | One Port USB 3.1 - No Flip | — |
| L | H | H | One Port USB 3.1 – With Flip | — |
| H | L | L | 4 Lane DP - No Flip | C |
| H | L | H | 4 Lane DP – With Flip | C |
| H | H | L | One Port USB 3.1 + 2 Lane DP- No Flip | D |
| H | H | H | One Port USB 3.1 + 2 Lane DP– With Flip | D |

表 3. GPIO AUXp or AUXn to SBU1 or SBU2 Mapping

| CTL1 PIN | FLIP PIN | MAPPING |
|----------|----------|----------------------------|
| H | L | SBU1 → AUXn SBU2 → AUXp |
| H | H | SBU2 → AUXn SBU1 → AUXp |
| L > 2 ms | X | Open |

表 4 details the TUSB1064 mux routing. This table is valid for both I²C and GPIO configuration modes.

表 4. INPUT to OUTPUT Mapping

| CTL1 PIN | CTL0 PIN | FLIP PIN | FROM | TO |
|----------|----------|----------|-----------|------------|
| | | | INPUT PIN | OUTPUT PIN |
| L | L | L | NA | NA |
| L | L | H | NA | NA |
| L | H | L | RX1p | SSRXp |
| | | | RX1n | SSRXn |
| | | | SSTXp | TX1p |
| | | | SSTXn | TX1n |
| L | H | H | RX2p | SSRXp |
| | | | RX2n | SSRXn |
| | | | SSTXp | TX2p |
| | | | SSTXn | TX2n |
| H | L | L | TX2p | DP0p |
| | | | TX2n | DP0n |
| | | | RX2p | DP1p |
| | | | RX2n | DP1n |
| | | | RX1p | DP2p |
| | | | RX1n | DP2n |
| | | | TX1p | DP3p |
| | | | TX1n | DP3n |
| H | L | H | TX1p | DP0p |
| | | | TX1n | DP0n |
| | | | RX1p | DP1p |
| | | | RX1n | DP1n |
| | | | RX2p | DP2p |
| | | | RX2n | DP2n |
| | | | TX2p | DP3p |
| | | | TX2n | DP3n |
| H | H | L | RX1p | SSRXp |
| | | | RX1n | SSRXn |
| | | | SSTXp | TX1p |
| | | | SSTXn | TX1n |
| | | | TX2p | DP0p |
| | | | TX2n | DP0n |
| | | | RX2p | DP1p |
| | | | RX2n | DP1n |
| H | H | H | RX2p | SSRXp |
| | | | RX2n | SSRXn |
| | | | SSTXp | TX2p |
| | | | SSTXn | TX2n |
| | | | TX1p | DP0p |
| | | | TX1n | DP0n |
| | | | RX1p | DP1p |
| | | | RX1n | DP1n |

8.4.2 Device Configuration In I²C Mode

The TUSB1064 is in I²C mode when I2C_EN is not equal to “0”. The same configurations defined in GPIO mode are also available in I²C mode. The TUSB1064 USB3.1 and DisplayPort configuration is controlled based on 表 5. The AUXp or AUXn to SBU1 or SBU2 mapping control is based on 表 6.

表 5. I²C Configuration Control

| REGISTERS | | | CONFIGURATION | VESA DisplayPort ALT MODE UFP_D CONFIGURATION |
|-----------|---------|---------|---|--|
| CTLSEL1 | CTLSEL0 | FLIPSEL | | |
| 0 | 0 | 0 | Power Down | — |
| 0 | 0 | 1 | Power Down | — |
| 0 | 1 | 0 | One Port USB 3.1 - No Flip | — |
| 0 | 1 | 1 | One Port USB 3.1 – With Flip | — |
| 1 | 0 | 0 | 4 Lane DP - No Flip | C |
| 1 | 0 | 1 | 4 Lane DP – With Flip | C |
| 1 | 1 | 0 | One Port USB 3.1 + 2 Lane DP- No Flip | D |
| 1 | 1 | 1 | One Port USB 3.1 + 2 Lane DP– With Flip | D |

表 6. I²C AUXp or AUXn to SBU1 or SBU2 Mapping

| REGISTERS | | | MAPPING |
|-------------|---------|---------|----------------------------|
| AUX_SBU_OVR | CTLSEL1 | FLIPSEL | |
| 00 | 1 | 0 | SBU1 → AUXn SBU2 → AUXp |
| 00 | 1 | 1 | SBU2 → AUXn SBU1 → AUXp |
| 00 | 0 | X | Open |
| 01 | X | X | SBU1 → AUXn SBU2 → AUXp |
| 10 | X | X | SBU2 → AUXn SBU1 → AUXp |
| 11 | X | X | Open |

8.4.3 DisplayPort Mode

The TUSB1064 supports up to four DisplayPort lanes at data rates up to 8.1 Gbps. TUSB1064 can be enabled for DisplayPort through GPIO control pin CTL1 or through I²C register CTLSEL1. When I2C_EN is ‘0’, DisplayPort is controlled based on 表 2. When not in GPIO mode, DisplayPort functionality is controlled through I²C registers. Data transfer through the DisplayPort lanes is further controlled by the HPDIN pin. DisplayPort needs to be enabled using CTL1 pin or CTLSEL1 register and also HPDIN needs to be pulled high for the DisplayPort data transfer to be enabled through the DisplayPort lanes.

8.4.4 Linear EQ Configuration

Each of the TUSB1064 receiver lanes has individual controls for receiver equalization. The receiver equalization gain value can be controlled either through I²C registers or through GPIOs. details the gain value for each available combination when TUSB1064 is in GPIO mode. These same options are also available in I²C mode by updating registers DP0EQ_SEL, DP1EQ_SEL, DP2EQ_SEL, DP3EQ_SEL, EQ1_SEL, EQ2_SEL, and SSEQ_SEL. Each of the 4-bit EQ configuration registers is mapped to the configuration pins as follows: x_SEL = {x1[1:0],x0[1:0]} where xn[1:0] are the EQ configuration pins with pin levels mapped to 2-bit values as: 0 = 00, R = 01, F = 10, 1 = 11.

表 7. TUSB1064 Receiver Equalization GPIO Control

| Equalization Setting # | USB3.1 UPSTREAM FACING PORTS | | | USB 3.1 DOWNSTREAM FACING PORT | | | ALL DISPLAYPORT LANES | | |
|------------------------|------------------------------|---------------|-----------------------|--------------------------------|-----------------|-----------------------|-----------------------|-----------------|--------------------------|
| | EQ1 PIN LEVEL | EQ0 PIN LEVEL | EQ GAIN at 5 GHz (dB) | SSEQ1 PIN LEVEL | SSEQ0 PIN LEVEL | EQ GAIN at 5 GHz (dB) | DPEQ1 PIN LEVEL | DPEQ0 PIN LEVEL | EQ GAIN at 4.05 GHz (dB) |
| 0 | 0 | 0 | -1.5 | 0 | 0 | -3.0 | 0 | 0 | -0.3 |
| 1 | 0 | R | 0.7 | 0 | R | -0.8 | 0 | R | 1.6 |
| 2 | 0 | F | 2.2 | 0 | F | -0.7 | 0 | F | 3.0 |
| 3 | 0 | 1 | 3.7 | 0 | 1 | 2.2 | 0 | 1 | 4.4 |
| 4 | R | 0 | 4.7 | R | 0 | 3.3 | R | 0 | 5.4 |
| 5 | R | R | 5.8 | R | R | 4.3 | R | R | 6.5 |
| 6 | R | F | 6.6 | R | F | 5.1 | R | F | 7.3 |
| 7 | R | 1 | 7.4 | R | 1 | 6.0 | R | 1 | 8.1 |
| 8 | F | 0 | 8.1 | F | 0 | 6.7 | F | 0 | 8.9 |
| 9 | F | R | 8.7 | F | R | 7.3 | F | R | 9.5 |
| 10 | F | F | 9.2 | F | F | 7.8 | F | F | 10.0 |
| 11 | F | 1 | 9.7 | F | 1 | 8.3 | F | 1 | 10.6 |
| 12 | 1 | 0 | 10 | 1 | 0 | 8.6 | 1 | 0 | 11.0 |
| 13 | 1 | R | 10.4 | 1 | R | 9.0 | 1 | R | 11.4 |
| 14 | 1 | F | 10.7 | 1 | F | 9.3 | 1 | F | 11.8 |
| 15 | 1 | 1 | 11.1 | 1 | 1 | 9.7 | 1 | 1 | 12.1 |

8.4.5 USB3.1 Modes

The TUSB1064 monitors the physical layer conditions like receiver termination, electrical idle, LFPS, and SuperSpeed signaling rate to determine the state of the USB3.1 interface. Depending on the state of the USB 3.1 interface, the TUSB1064 can be in one of four primary modes of operation when USB 3.1 is enabled (CTL0 = H or CTLSEL0 = 1b1): Disconnect, U2/U3, U1, and U0.

The Disconnect mode is the state in which TUSB1064 has not detected far-end termination on upstream facing port (UFP) or downstream facing port (DFP). The disconnect mode is the lowest power mode of each of the four modes. The TUSB1064 remains in this mode until far-end receiver termination has been detected on both UFP and DFP. The TUSB1064 immediately exits this mode and enter U0 once far-end termination is detected.

Once in U0 mode, the TUSB1064 will redrive all traffic received on UFP and DFP. U0 is the highest power mode of all USB3.1 modes. The TUSB1064 remains in U0 mode until electrical idle occurs on both UFP and DFP. Upon detecting electrical idle, the TUSB1064 immediately transitions to U1.

The U1 mode is the intermediate mode between U0 mode and U2/U3 mode. In U1 mode, the TUSB1064 UFP and DFP receiver termination remains enabled. The UFP and DFP transmitter DC common mode is maintained. The power consumption in U1 is similar to power consumption of U0.

Next to the disconnect mode, the U2/U3 mode is next lowest power state. While in this mode, the TUSB1064 periodically performs far-end receiver detection. Anytime the far-end receiver termination is not detected on either UFP or DFP, the TUSB1064 leaves the U2/U3 mode and transitions to the Disconnect mode. It also monitors for a valid LFPS. Upon detection of a valid LFPS, the TUSB1064 immediately transitions to the U0 mode. In U2/U3 mode, the TUSB1064 receiver terminations remain enabled but the TX DC common mode voltage is not maintained.

8.4.6 Operation Timing – Power Up

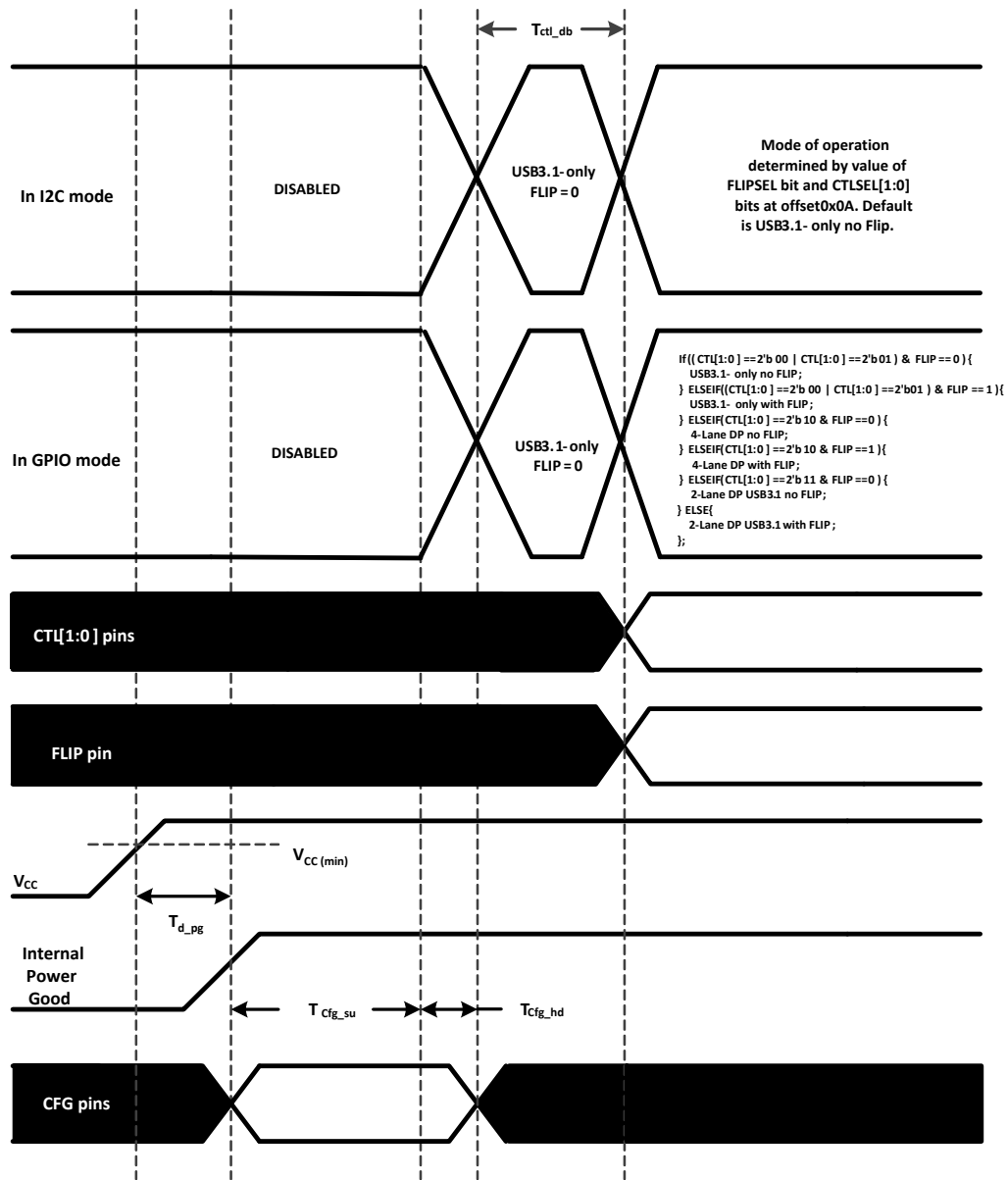


图 17. Power-Up Timing

表 8. Power-Up Timing⁽¹⁾⁽²⁾

| PARAMETER | | MIN | MAX | UNIT |
|-----------------|--|-----|-----|---------|
| t_{d_pg} | VCC (minimum) to Internal Power Good asserted high | | 500 | μ s |
| t_{cfg_su} | CFG(1) pins setup ⁽²⁾ | 50 | | μ s |
| t_{cfg_hd} | CFG(1) pins hold | 10 | | μ s |
| t_{CTL_DB} | CTL[1:0] and FLIP pin debounce | | 16 | ms |
| t_{VCC_RAMP} | VCC supply ramp requirement | 0.1 | 100 | ms |

(1) Following pins comprise CFG pins: I2C_EN, EQ[1:0], SSEQ[1:0], and DPEQ[1:0].

(2) Recommend CFG pins are stable when VCC is at minimum value.

8.5 Programming

For further programmability, the TUSB1064 can be controlled using I²C. The SCL and SDA pins are used for I²C clock and I²C data respectively.

表 9. TUSB1064 I²C Target Address

| DPEQ0/A1 PIN LEVEL | SSEQ0/A0 PIN LEVEL | Bit 7 (MSB) | Bit 6 | Bit 5 | Bit 4 | Bit 3 | Bit 2 | Bit 1 | Bit 0 (W/R) |
|-----------------------|-----------------------|-------------|-------|-------|-------|-------|-------|-------|-------------|
| 0 | 0 | 1 | 0 | 0 | 0 | 1 | 0 | 0 | 0/1 |
| 0 | R | 1 | 0 | 0 | 0 | 1 | 0 | 1 | 0/1 |
| 0 | F | 1 | 0 | 0 | 0 | 1 | 1 | 0 | 0/1 |
| 0 | 1 | 1 | 0 | 0 | 0 | 1 | 1 | 1 | 0/1 |
| R | 0 | 0 | 1 | 0 | 0 | 0 | 0 | 0 | 0/1 |
| R | R | 0 | 1 | 0 | 0 | 0 | 0 | 1 | 0/1 |
| R | F | 0 | 1 | 0 | 0 | 0 | 1 | 0 | 0/1 |
| R | 1 | 0 | 1 | 0 | 0 | 0 | 1 | 1 | 0/1 |
| F | 0 | 0 | 0 | 1 | 0 | 0 | 0 | 0 | 0/1 |
| F | R | 0 | 0 | 1 | 0 | 0 | 0 | 1 | 0/1 |
| F | F | 0 | 0 | 1 | 0 | 0 | 1 | 0 | 0/1 |
| F | 1 | 0 | 0 | 1 | 0 | 0 | 1 | 1 | 0/1 |
| 1 | 0 | 0 | 0 | 0 | 1 | 1 | 0 | 0 | 0/1 |
| 1 | R | 0 | 0 | 0 | 1 | 1 | 0 | 1 | 0/1 |
| 1 | F | 0 | 0 | 0 | 1 | 1 | 1 | 0 | 0/1 |
| 1 | 1 | 0 | 0 | 0 | 1 | 1 | 1 | 1 | 0/1 |

The following procedure should be followed to write to TUSB1064 I²C registers:

1. The master initiates a write operation by generating a start condition (S), followed by the TUSB1064 7-bit address and a zero-value “W/R” bit to indicate a write cycle.
2. The TUSB1064 acknowledges the address cycle.
3. The master presents the sub-address (I²C register within TUSB1064) to be written, consisting of one byte of data, MSB-first.
4. The TUSB1064 acknowledges the sub-address cycle.
5. The master presents the first byte of data to be written to the I²C register.
6. The TUSB1064 acknowledges the byte transfer.
7. The master may continue presenting additional bytes of data to be written, with each byte transfer completing with an acknowledge from the TUSB1064.
8. The master terminates the write operation by generating a stop condition (P).

The following procedure should be followed to read the TUSB1064 I²C registers:

1. The master initiates a read operation by generating a start condition (S), followed by the TUSB1064 7-bit address and a one-value “W/R” bit to indicate a read cycle.
2. The TUSB1064 acknowledges the address cycle.
3. The TUSB1064 transmit the contents of the memory registers MSB-first starting at register 00h or last read sub-address+1. If a write to the I²C register occurred prior to the read, then the TUSB1064 shall start at the sub-address specified in the write.
4. The TUSB1064 shall wait for either an acknowledge (ACK) or a not-acknowledge (NACK) from the master after each byte transfer; the I²C master acknowledges reception of each data byte transfer.
5. If an ACK is received, the TUSB1064 transmits the next byte of data.
6. The master terminates the read operation by generating a stop condition (P).

The following procedure should be followed for setting a starting sub-address for I²C reads:

1. The master initiates a write operation by generating a start condition (S), followed by the TUSB1064 7-bit address and a zero-value “W/R” bit to indicate a write cycle.
2. The TUSB1064 acknowledges the address cycle.
3. The master presents the sub-address (I²C register within TUSB1064) to be written, consisting of one byte of data, MSB-first.

4. The TUSB1064 acknowledges the sub-address cycle.
5. The master terminates the write operation by generating a stop condition (P).

注

If no sub-addressing is included for the read procedure, and reads start at register offset 00h and continue byte by byte through the registers until the I²C master terminates the read operation. If a I²C address write occurred prior to the read, then the reads start at the sub-address specified by the address write.

表 10. Register Legend

| ACCESS TAG | NAME | MEANING |
|------------|-----------|--|
| R | Read | The field may be read by software |
| W | Write | The field may be written by software |
| S | Set | The field may be set by a write of one. Writes of zeros to the field have no effect. |
| C | Clear | The field may be cleared by a write of one. Write of zero to the field have no effect. |
| U | Update | Hardware may autonomously update this field. |
| NA | No Access | Not accessible or not applicable |

8.6 Register Maps

8.6.1 General Register (address = 0x0A) [reset = 00000001]

☒ 18. General Registers

| 7 | 6 | 5 | 4 | 3 | 2 | 1 | 0 |
|----------|---|----------|-----------------|-------------------|---------|--------------|---|
| Reserved | | Reserved | EQ_OVERRID E | HPDIN_OVRRI DE | FLIPSEL | CTLSEL[1:0]. | |
| R | | R | R/W | R/W | R/W | R/W | |

LEGEND: R/W = Read/Write; R = Read only; -n = value after reset

表 11. General Registers

| Bit | Field | Type | Reset | Description |
|-----|--------------|------|-------|---|
| 7:5 | Reserved. | R | 00 | Reserved. |
| 4 | EQ_OVERRIDE | R/W | 0 | Setting of this field will allow software to use EQ settings from registers instead of value sample from pins. 0 – EQ settings based on sampled state of the EQ pins (SSEQ[1:0], EQ[1:0], and DPEQ[1:0]). 1 – EQ settings based on programmed value of each of the EQ registers |
| 3 | DP_EN_CTRL | R/W | 0 | Controls whether DisplayPort functionality is controlled by CTLSEL1 register or CTL1 pin. 0 – DisplayPort enable/disable is based on CTLSEL1 register. 1 – DisplayPort enable/disable is based on state of CTL1 pin. |
| 2 | FLIPSEL | R/W | 0 | FLIPSEL. Refer to 表 5 and 表 6 for this field functionality. |
| 1:0 | CTLSEL[1:0]. | R/W | 01 | 00 – Disabled. All RX and TX for USB3 and DisplayPort are disabled. 01 – USB3.1 only enabled. (Default) 10 – Four DisplayPort lanes enabled. 11 – Two DisplayPort lanes and one USB3.1 |

8.6.2 DisplayPort Control/Status Registers (address = 0x10) [reset = 00000000]

☒ 19. DisplayPort Control/Status Registers (0x10)

| 7 | 6 | 5 | 4 | 3 | 2 | 1 | 0 |
|-----------|---|---|---|-----------|---|---|---|
| DP1EQ_SEL | | | | DP3EQ_SEL | | | |
| R/W/U | | | | R/W/U | | | |

LEGEND: R/W = Read/Write; R = Read only; -n = value after reset

表 12. DisplayPort Control/Status Registers (0x10)

| Bit | Field | Type | Reset | Description |
|-----|-----------|-------|-------|---|
| 7:4 | DP1EQ_SEL | R/W/U | 0000 | Field selects EQ level for DP lane 1. When EQ_OVERRIDE = 1'b0, this field reflects the sampled state of DPEQ[1:0] pins. When EQ_OVERRIDE = 1'b1, software can change the EQ setting for DP lane 1 based on value written to this field. |
| 3:0 | DP3EQ_SEL | R/W/U | 0000 | Field selects EQ level for DP lane 3. When EQ_OVERRIDE = 1'b0, this field reflects the sampled state of DPEQ[1:0] pins. When EQ_OVERRIDE = 1'b1, software can change the EQ setting for DP lane 3 based on value written to this field. |

8.6.3 DisplayPort Control/Status Registers (address = 0x11) [reset = 00000000]
图 20. DisplayPort Control/Status Registers (0x11)

| | | | | | | | |
|-----------|---|---|---|-----------|---|---|---|
| 7 | 6 | 5 | 4 | 3 | 2 | 1 | 0 |
| DP0EQ_SEL | | | | DP2EQ_SEL | | | |
| R/W/U | | | | R/W/U | | | |

LEGEND: R/W = Read/Write; R = Read only; -n = value after reset

表 13. DisplayPort Control/Status Registers (0x11)

| Bit | Field | Type | Reset | Description |
|-----|-----------|-------|-------|---|
| 7:4 | DP0EQ_SEL | R/W/U | 0000 | Field selects EQ level for DP lane 0. When EQ_OVERRIDE = 1'b0, this field reflects the sampled state of DPEQ[1:0] pins. When EQ_OVERRIDE = 1'b1, software can change the EQ setting for DP lane 0 based on value written to this field. |
| 3:0 | DP2EQ_SEL | R/W/U | 0000 | Field selects EQ level for DP lane 2. When EQ_OVERRIDE = 1'b0, this field reflects the sampled state of DPEQ[1:0] pins. When EQ_OVERRIDE = 1'b1, software can change the EQ setting for DP lane 2 based on value written to this field. |

8.6.4 DisplayPort Control/Status Registers (address = 0x12) [reset = 00000000]
图 21. DisplayPort Control/Status Registers (0x12)

| | | | | | | | |
|----------|-----------------|---|----------------|---|---|---|---|
| 7 | 6 | 5 | 4 | 3 | 2 | 1 | 0 |
| Reserved | SET_POWER_STATE | | LANE_COUNT_SET | | | | |
| R | RU | | RU | | | | |

LEGEND: R/W = Read/Write; R = Read only; -n = value after reset

表 14. DisplayPort Control/Status Registers (0x12)

| Bit | Field | Type | Reset | Description |
|-----|-----------------|------|-------|--|
| 7 | Reserved | R | 0 | Reserved |
| 6:5 | SET_POWER_STATE | R/U | 00 | This field represents the snooped value of the AUX write to DPCD address 0x00600. When AUX_SNOOP_DISABLE = 1'b0, the TUSB1064 will enable/disable DP lanes based on the snooped value. When AUX_SNOOP_DISABLE = 1'b1, then DP lane enable/disable are determined by state of DPx_DISABLE registers, where x = 0, 1, 2, or 3. This field is reset to 2'b00 by hardware when CTLSEL1 changes from a 1'b1 to a 1'b0. |
| 4:0 | LANE_COUNT_SET | R/U | 00000 | This field represents the snooped value of AUX write to DPCD address 0x00101 register. When AUX_SNOOP_DISABLE = 1'b0, TUSB1064 will enable DP lanes specified by the snoop value. Unused DP lanes will be disabled to save power. When AUX_SNOOP_DISABLE = 1'b1, then DP lanes enable/disable are determined by DPx_DISABLE registers, where x = 0, 1, 2, or 3. This field is reset to 0x0 by hardware when CTLSEL1 changes from a 1'b1 to a 1'b0. |

8.6.5 DisplayPort Control/Status Registers (address = 0x13) [reset = 00000000]
☒ 22. DisplayPort Control/Status Registers (0x13)

| 7 | 6 | 5 | 4 | 3 | 2 | 1 | 0 |
|-------------------|----------|-------------|---|-------------|-------------|-------------|-------------|
| AUX_SNOOP_DISABLE | Reserved | AUX_SBU_OVR | | DP3_DISABLE | DP2_DISABLE | DP1_DISABLE | DP0_DISABLE |
| R/W | R | R/W | | R/W | R/W | R/W | R/W |

LEGEND: R/W = Read/Write; R = Read only; -n = value after reset

表 15. DisplayPort Control/Status Registers (0x13)

| Bit | Field | Type | Reset | Description |
|-----|-------------------|------|-------|---|
| 7 | AUX_SNOOP_DISABLE | R/W | 0 | 0 – AUX snoop enabled. (Default) 1 – AUX snoop disabled. |
| 6 | Reserved | R | 0 | Reserved |
| 5:4 | AUX_SBU_OVR | R/W | 00 | This field overrides the AUXp or AUXn to SBU1 or SBU2 connect and disconnect based on CTL1 and FLIP. Changing this field to 2'b01 or 2'b10 will allow traffic to pass through AUX to SBU regardless of the state of CTLSEL1 and FLIPSEL register 00 – AUX to SBU connect/disconnect determined by CTLSEL1 and FLIPSEL (Default) 01 – AUXn -> SBU1 and AUXp -> SBU2 connection always enabled. 10 – AUXn -> SBU2 and AUXp -> SBU1 connection always enabled. 11 – AUX to SBU open. |
| 3 | DP3_DISABLE | R/W | 0 | When AUX_SNOOP_DISABLE = 1'b1, this field can be used to enable or disable DP lane 3. When AUX_SNOOP_DISABLE = 1'b0, changes to this field will have no effect on lane 3 functionality. 0 – DP Lane 3 Enabled (default) 1 – DP Lane 3 Disabled. |
| 2 | DP2_DISABLE | R/W | 0 | When AUX_SNOOP_DISABLE = 1'b1, this field can be used to enable or disable DP lane 2. When AUX_SNOOP_DISABLE = 1'b0, changes to this field will have no effect on lane 2 functionality. 0 – DP Lane 2 Enabled (default) 1 – DP Lane 2 Disabled. |
| 1 | DP1_DISABLE | R/W | 0 | When AUX_SNOOP_DISABLE = 1'b1, this field can be used to enable or disable DP lane 1. When AUX_SNOOP_DISABLE = 1'b0, changes to this field will have no effect on lane 1 functionality. 0 – DP Lane 1 Enabled (default) 1 – DP Lane 1 Disabled. |
| 0 | DP0_DISABLE | R/W | 0 | DISABLE. When AUX_SNOOP_DISABLE = 1'b1, this field can be used to enable or disable DP lane 0. When AUX_SNOOP_DISABLE = 1'b0, changes to this field will have no effect on lane 0 functionality. 0 – DP Lane 0 Enabled (default) 1 – DP Lane 0 Disabled. |

8.6.6 USB3.1 Control/Status Registers (address = 0x20) [reset = 00000000]
☒ 23. USB3.1 Control/Status Registers (0x20)

| 7 | 6 | 5 | 4 | 3 | 2 | 1 | 0 |
|---------|---|---|---|---------|---|---|---|
| EQ2_SEL | | | | EQ1_SEL | | | |
| R/W/U | | | | R/W/U | | | |

LEGEND: R/W = Read/Write; R = Read only; -n = value after reset

表 16. USB3.1 Control/Status Registers (0x20)

| Bit | Field | Type | Reset | Description |
|-----|---------|-------|-------|---|
| 7:4 | EQ2_SEL | R/W/U | 0000 | Field selects EQ level for USB3.1 RX2 receiver. When EQ_OVERRIDE = 1'b0, this field reflects the sampled state of EQ[1:0] pins. When EQ_OVERRIDE = 1'b1, software can change the EQ setting for USB3.1 RX2 receiver based on value written to this field. |
| 3:0 | EQ1_SEL | R/W/U | 0000 | Field selects EQ level for USB3.1 RX1 receiver. When EQ_OVERRIDE = 1'b0, this field reflects the sampled state of EQ[1:0] pins. When EQ_OVERRIDE = 1'b1, software can change the EQ setting for USB3.1 RX1 receiver based on value written to this field. |

8.6.7 USB3.1 Control/Status Registers (address = 0x21) [reset = 00000000]
图 24. USB3.1 Control/Status Registers (0x21)

| 7 | 6 | 5 | 4 | 3 | 2 | 1 | 0 |
|----------|---|---|---|----------|---|---|---|
| Reserved | | | | SSEQ_SEL | | | |
| R | | | | R/W/U | | | |

LEGEND: R/W = Read/Write; R = Read only; -n = value after reset

表 17. USB3.1 Control/Status Registers (0x21)

| Bit | Field | Type | Reset | Description |
|-----|----------|-------|-------|---|
| 7:4 | Reserved | R | 0000 | Reserved |
| 3:0 | SSEQ_SEL | R/W/U | 0000 | Field selects EQ for USB3.1 SSTXP/N receiver. When EQ_OVERRIDE = 1'b0, this field reflects the sampled state of SSEQ[1:0] pins. When EQ_OVERRIDE = 1'b1, software can change the EQ setting for USB3.1 SSTXP/N receiver based on value written to this field. |

8.6.8 USB3.1 Control/Status Registers (address = 0x22) [reset = 00000000]
☒ 25. USB3.1 Control/Status Registers (0x22)

| 7 | 6 | 5 | 4 | 3 | 2 | 1 | 0 |
|-----------|---------|------------------------|------------------------|--------------------|---|----------------------|---|
| CM_ACTIVE | LFPS_EQ | U2U3_LFPS_D EBOUNCE | DISABLE_U2U 3_RXDET | DFP_RXDET_INTERVAL | | USB3_COMPLIANCE_CTRL | |
| R/U | R/W | R/W | R/W | R/W | | R/W | |

LEGEND: R/W = Read/Write; R = Read only; -n = value after reset

表 18. USB3.1 Control/Status Registers (0x22)

| Bit | Field | Type | Reset | Description |
|-----|----------------------|------|-------|--|
| 7 | CM_ACTIVE | R/U | 0 | 0 – device not in USB 3.1 compliance mode. (Default) 1 – device in USB 3.1 compliance mode |
| 6 | LFPS_EQ | R/W | 0 | Controls whether settings of EQ based on EQ1_SEL, EQ2_SEL and SSEQ_SEL applies to received LFPS signal. 0 – EQ set to zero when receiving LFPS (default) 1 – EQ set to EQ1_SEL, EQ2_SEL, and SSEQ_SEL when receiving LFPS. |
| 5 | U2U3_LFPS_DEBOUNCE | R/W | 0 | 0 – No debounce of LFPS before U2/U3 exit. (Default) 1 – 200us debounce of LFPS before U2/U3 exit. |
| 4 | DISABLE_U2U3_RXDET | R/W | 0 | 0 – Rx.Detect in U2/U3 enabled. (Default) 1 – Rx.Detect in U2/U3 disabled. |
| 3:2 | DFP_RXDET_INTERVAL | R/W | 00 | This field controls the Rx.Detect interval for the Downstream facing port (TX1P/N and TX2P/N). 00 – 8 ms 01 – 12 ms (default) 10 – Reserved 11 – Reserved |
| 1:0 | USB3_COMPLIANCE_CTRL | R/W | 00 | 00 – FSM determined compliance mode. (Default) 01 – Compliance Mode enabled in DFP direction (SSTX -> TX1/TX2) 10 – Compliance Mode enabled in UFP direction (RX1/RX2 -> SSRX) 11 – Compliance Mode Disabled. |

9 Application and Implementation

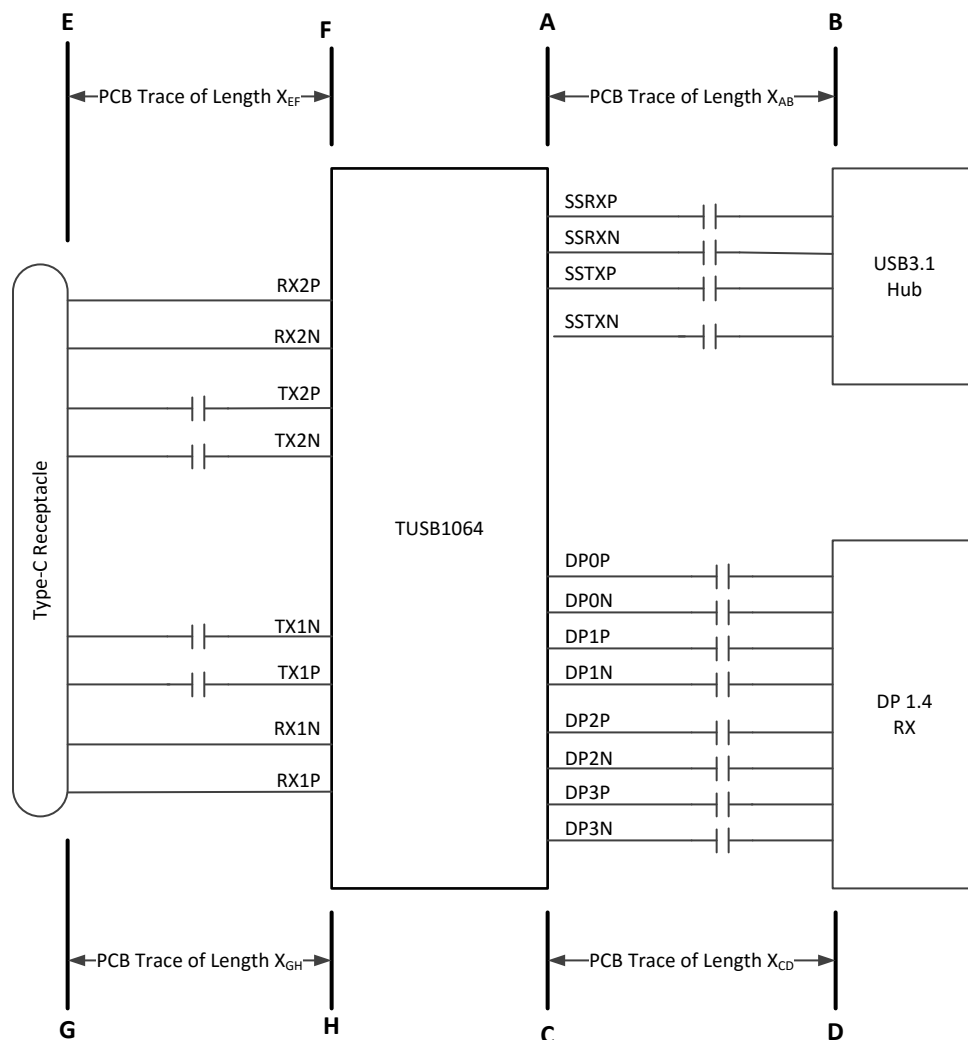
注

Information in the following applications sections is not part of the TI component specification, and TI does not warrant its accuracy or completeness. TI's customers are responsible for determining suitability of components for their purposes. Customers should validate and test their design implementation to confirm system functionality.

9.1 Application Information

The TUSB1064 is a linear redriver designed specifically to compensation for intersymbol interference (ISI) jitter caused by signal attenuation through a passive medium like PCB traces and cables. Because the TUSB1064 has four independent DisplayPort 1.4 inputs, one upstream facing USB 3.1 Gen 2 input, and two downstream facing USB 3.1 Gen 2 inputs, it can be optimized to correct ISI on all those seven inputs through 16 different equalization choices. Placing the TUSB1064 between a USB3.1 Host/DisplayPort 1.4 GPU and a USB3.1 Type-C receptacle can correct signal integrity issues resulting in a more robust system.

9.2 Typical Application



Copyright © 2017, Texas Instruments Incorporated

☒ 26. TUSB1064 in a Host Application

Typical Application (continued)

9.2.1 Design Requirements

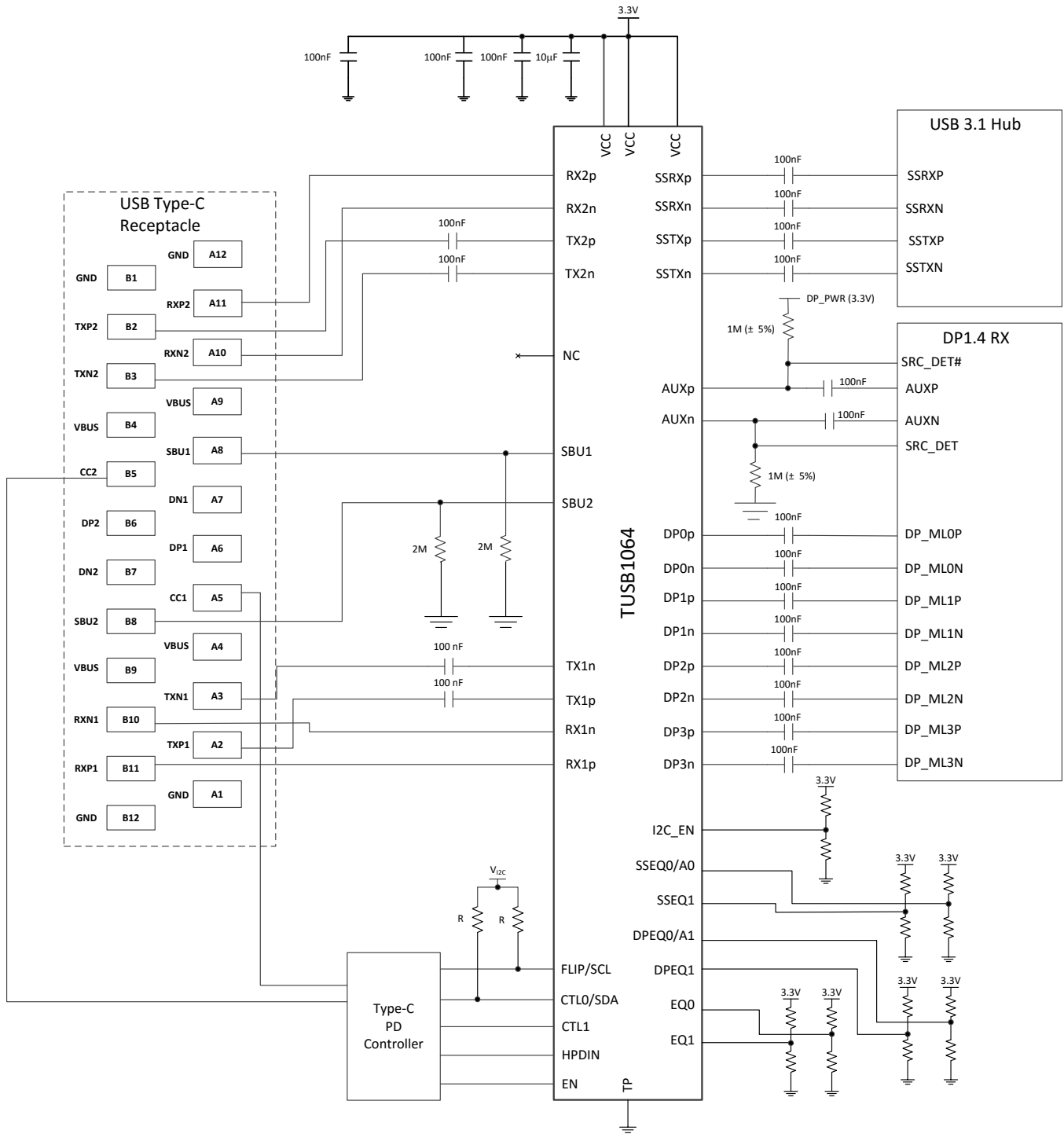
For this design example, use the parameters shown in [表 19](#).

表 19. Design Parameters

| PARAMETER | VALUE |
|---|---|
| A to B PCB trace length, X_{AB} | 12 inches |
| C to D PCB trace length, X_{CD} | 12 inches |
| E to F PCB trace length, X_{EF} | 2 inches |
| G to H PCB trace length, X_{GH} | 2 inches |
| PCB trace width | 4 mils |
| AC-coupling capacitor (75 nF to 265 nF) | 100 nF |
| VCC supply (3 V to 3.6 V) | 3.3 V |
| I2C Mode or GPIO Mode | I2C Mode. (I2C_EN pin != "0") |
| 1.8V or 3.3V I2C Interface | 3.3V I2C. Pull-up the I2C_EN pin to 3.3V with a 1K ohm resistor. CTL1, EQ[1:0], SSEQ[1:0], and DPEQ[1:0] pin unconnected. |
| EQ setting for DisplayPort Lanes | EQ Setting # 5 (Register 0x0A[4] = 1'b1, 0x10 = 0x55; 0x11 = 0x55) |
| EQ setting for Downstream USB Data Path | EQ Setting # 6 (Register 0x0A[4] = 1'b1, 0x20 = 0x66) |
| EQ setting for Upstream USB Data Path | EQ Setting # 6 (Register 0x0A[4] = 1'b1, 0x21 = 0x08) |

9.2.2 Detailed Design Procedure

A typical usage of the TUSB1064 device is shown in [图 27](#). The device can be controlled either through its GPIO pins or through its I²C interface. In the example shown below, a Type-C PD controller is used to configure the device through the I²C interface. In I2C mode, the equalization settings for each receiver can be independently controlled through I2C registers. For this reason, the configuration pin CTL1 and all of the equalization pins (EQ[1:0], SSEQ[1:0], and DPEQ[1:0]) can be left unconnected. If these pins are left unconnected, the TUSB1064 7-bit I2C slave address will be 0x12 because both DPEQ/A1 and SSEQ0/A0 will be at pin level "F". If a different I2C slave address is desired, DPEQ/A1 and SSEQ0/A0 pins should be set to a level which produces the desired I2C slave address.



Copyright © 2017, Texas Instruments Incorporated

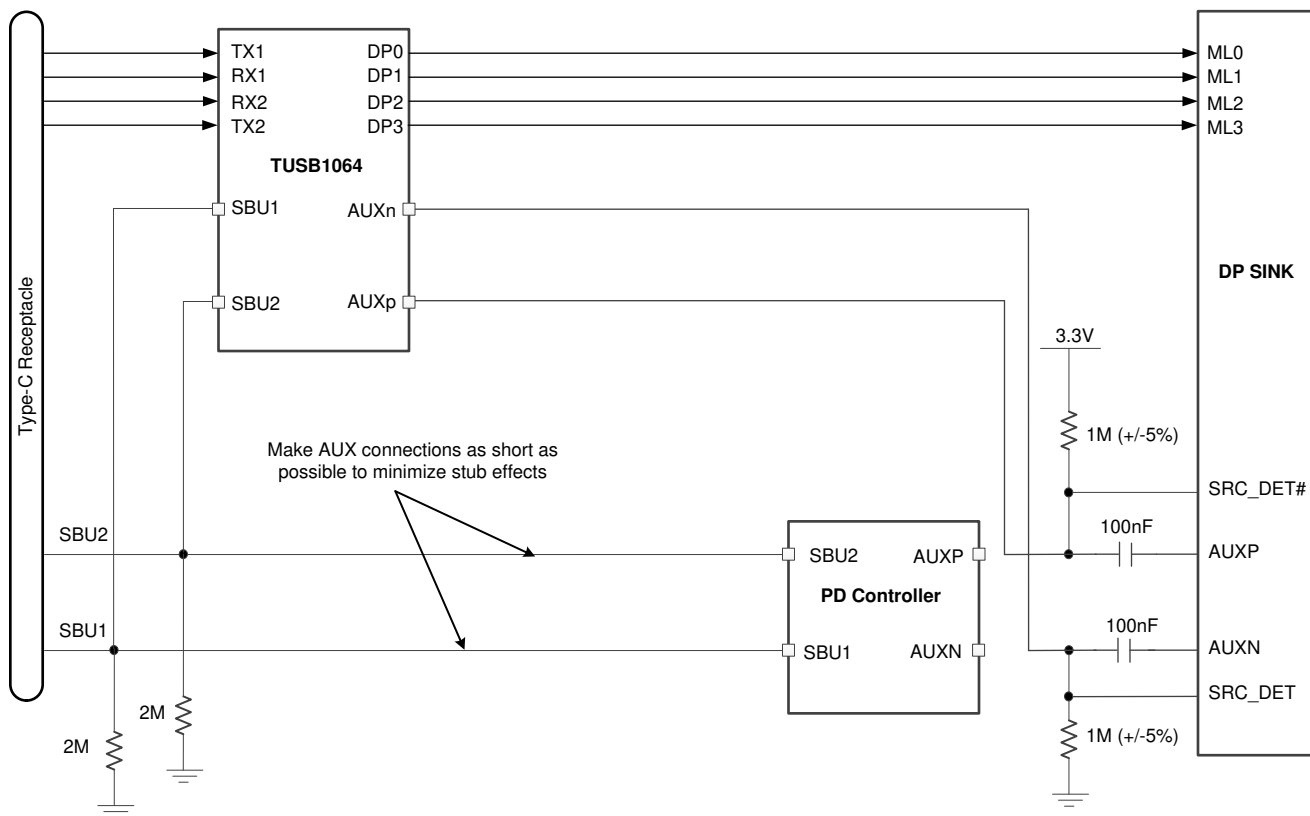
图 27. Application Circuit

9.2.3 Support for DisplayPort UFP_D Pin Assignment E

The TUSB1064 device can be used in a system that handles DisplayPort UFP_D Pin Assignment E use-case if special measures are taken as described below. With UFP_D Pin Assignment E, the polarity of both the main link and AUX signals is inverted on the Type-C receptacle pins relative to Pin Assignment C. Moreover, on the Type-C receptacle, the location of Lane 0 is swapped with Lane 1 and that of Lane 2 is swapped with Lane 3 relative to Pin Assignment C. For correct reception of the DisplayPort video signal, the system has to comprehend the above-described signaling variation.

The use of the TUSB1064 device in a system that handles Pin Assignment E depends on whether AUX-to-SBU switching of the DisplayPort AUX signal is performed internally by the TUSB1064 or by external devices such as a PD controller. It also depends on the configuration mode used: I²C Mode or GPIO Mode. In all those scenarios the TUSB1064 passes the polarity of the Main Link signals as received. The DisplayPort sink has to handle the polarity inversion of those signals. Moreover, the DisplayPort sink has to handle the lane swapping with the following lane-to-pin mapping as received by the TUSB1064 device: Lane 0 → DP1, Lane 1 → DP0, Lane 2 → DP3, and Lane 3 → DP2.

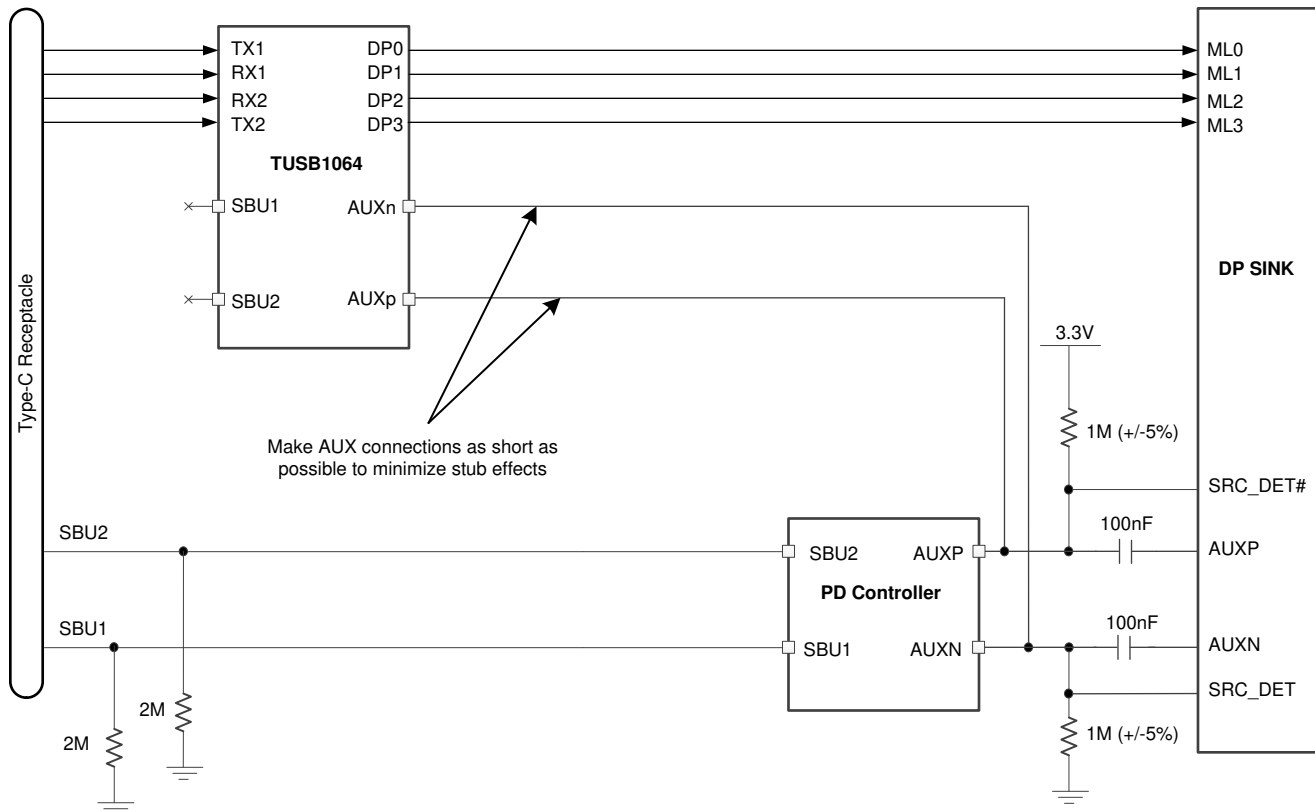
The use-case with the AUX-to-SBU switching performed internally by the TUSB1064 device is shown in [Figure 28](#). If the TUSB1064 device configuration is through the I²C Mode, AUX snooping has to be disabled by setting AUX_SNOOP_DISABLE register 0x13[7] = 1'b1, and manual AUX-to-SBU switching has to be performed through the AUX_SBU_OVR register 0x13[5:4]: AUX_SBU_OVR = 2'b01 for normal USB Type-C plug orientation, or AUX_SBU_OVR = 2'b10 for flipped USB Type-C plug orientation when Pin Assignment E signals are received. If the TUSB1064 device configuration is through the GPIO Mode, all 4 DisplayPort lanes are automatically activated. The DisplayPort sink device has to handle the polarity inversion of both the AUX and Main Link signals as well as main link lane swapping.



Copyright © 2017, Texas Instruments Incorporated

Figure 28. DisplayPort AUX Connections for UFP_D Pin Assignment E with Internal AUX Switching

The use-case with the AUX-to-SBU switching performed by an external device is shown in [Figure 29](#). In this case, it is assumed that the PD controller is capable of correcting the polarity inversion of the AUX signal and the TUSB1064 is provided with the corrected polarity of the AUX signal through its AUXp/AUXn pins. If the TUSB1064 device configuration is through the I²C Mode, AUX snooping should be disabled by setting AUX_SNOOP_DISABLE register 0x13[7] = 1'b1. The DisplayPort sink device has to handle the polarity inversion of the Main Link signals as well as the Main Link lane swapping.



Copyright © 2017, Texas Instruments Incorporated

Figure 29. DisplayPort AUX Connections for UFP_D Pin Assignment E with External AUX Switching

9.2.4 PCB Insertion Loss Curves

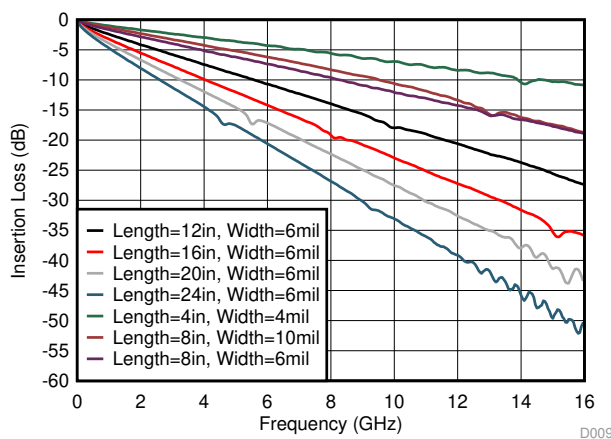
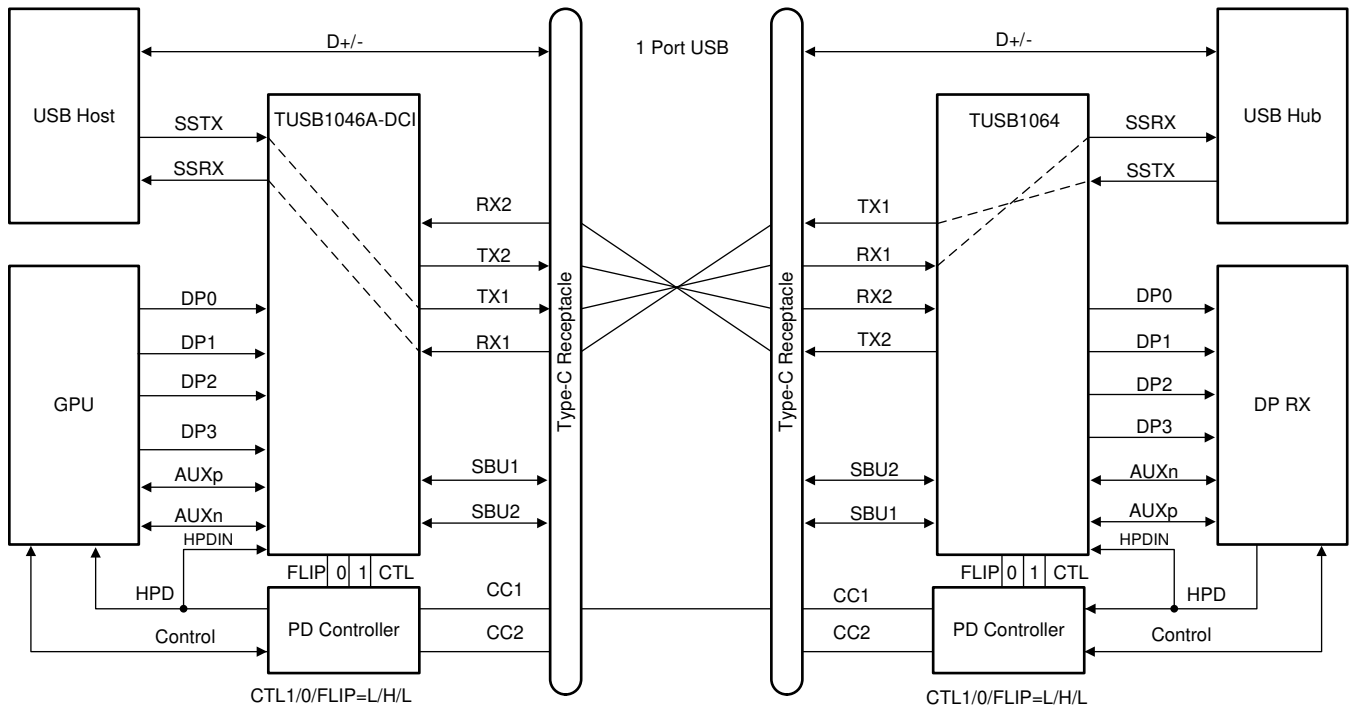


Figure 30. Insertion Loss of FR4 PCB Traces

9.3 System Examples

9.3.1 USB 3.1 Only

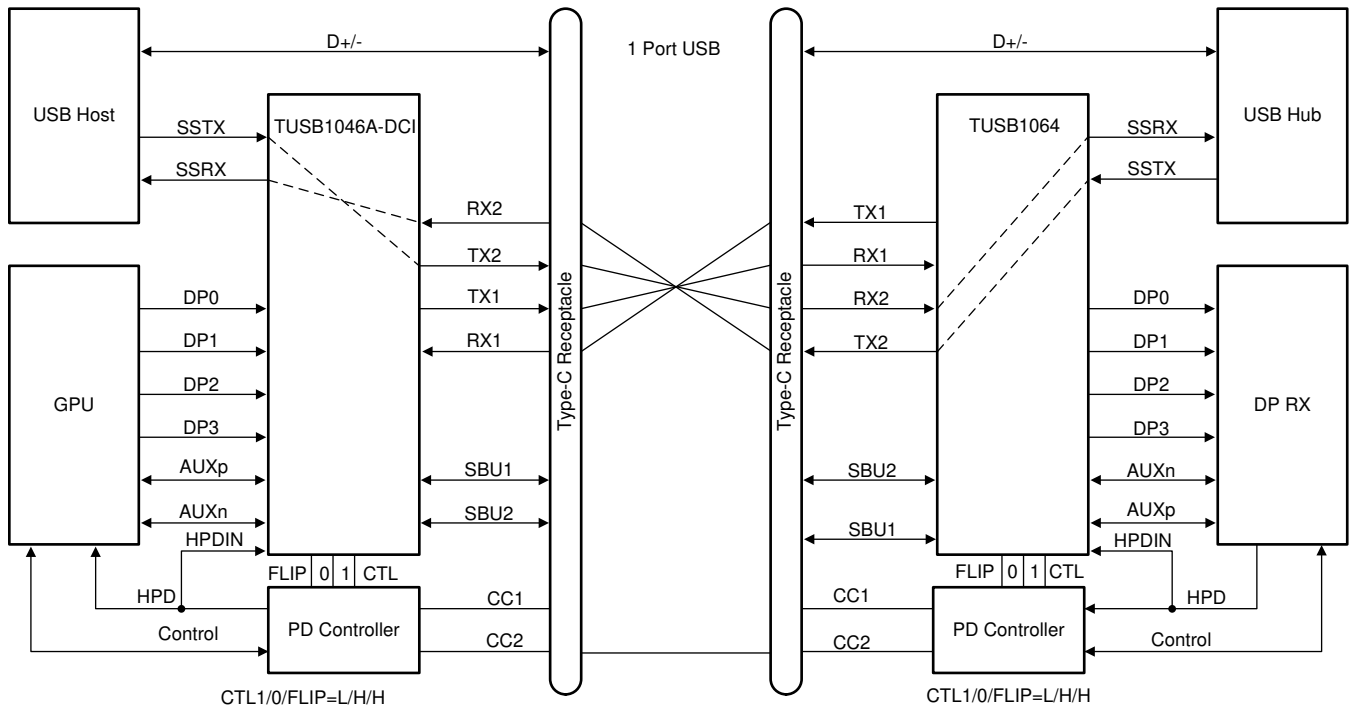
The TUSB1064 is in USB3.1 only when the CTL1 pin is low and CTL0 pin is high.



Copyright © 2017, Texas Instruments Incorporated

图 31. USB3.1 Only – No Flip (CTL1 = L, CTL0 = H, FLIP = L)

System Examples (continued)



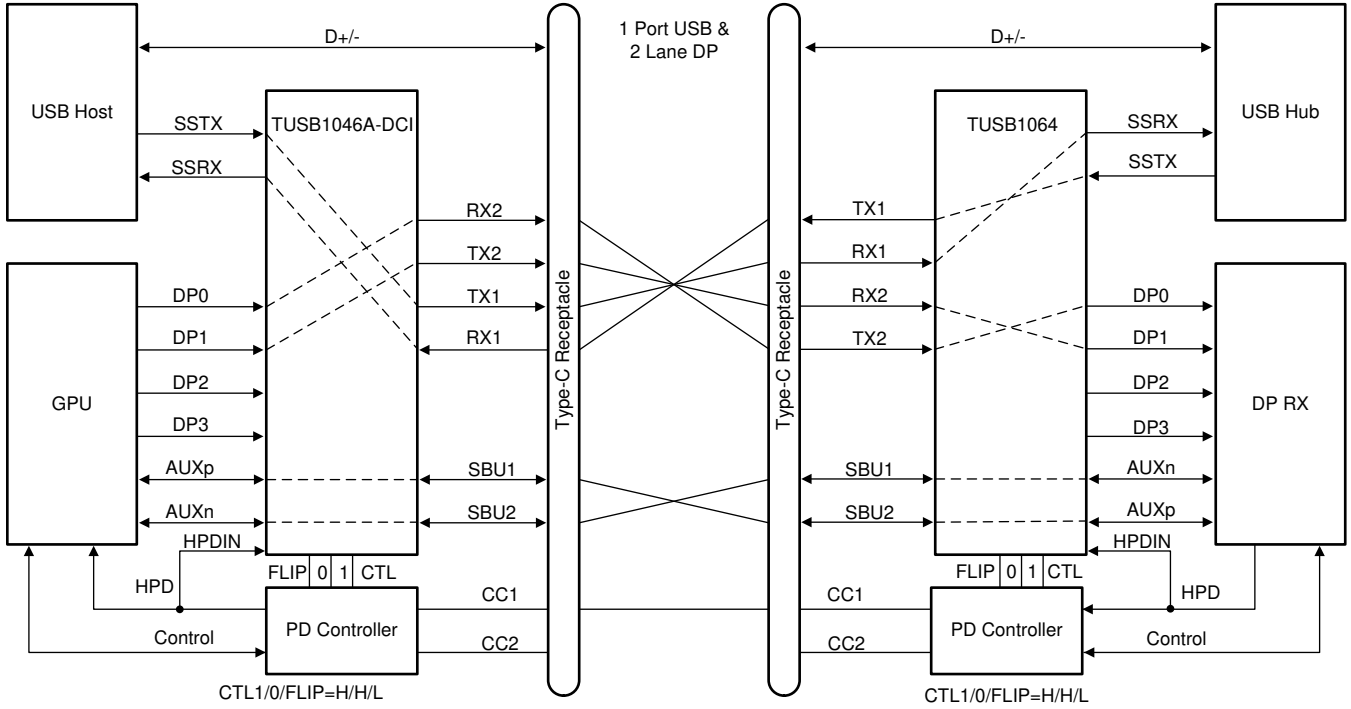
Copyright © 2017, Texas Instruments Incorporated

FIG 32. USB3.1 Only – With Flip (CTL1 = L, CTL0 = H, FLIP = H)

System Examples (continued)

9.3.2 USB 3.1 and 2 Lanes of DisplayPort

The TUSB1064 operates in USB3.1 and 2 Lanes of DisplayPort mode when the CTL1 pin is high and CTL0 pin is high.

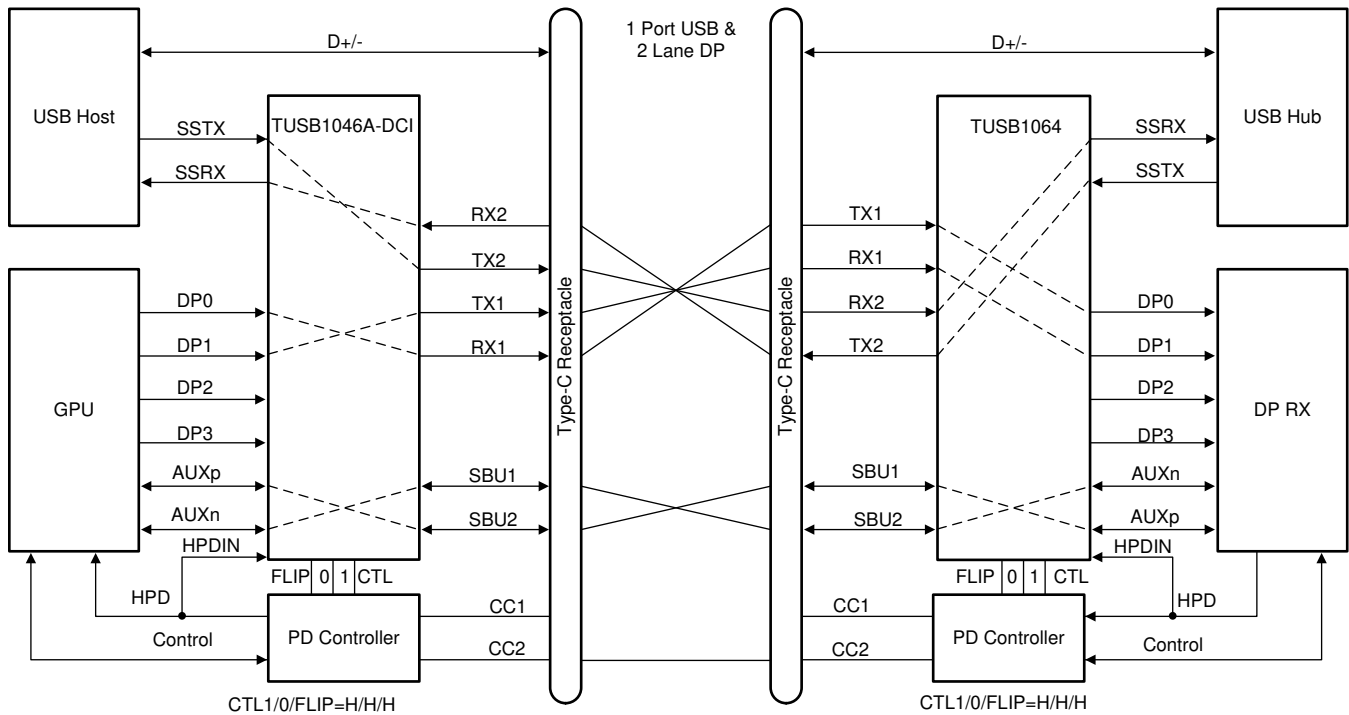


Copyright © 2016, Texas Instruments Incorporated

33. USB3.1 + 2 Lane DP – No Flip (CTL1 = H, CTL0 = H, FLIP = L)

TUSB1064

System Examples (continued)



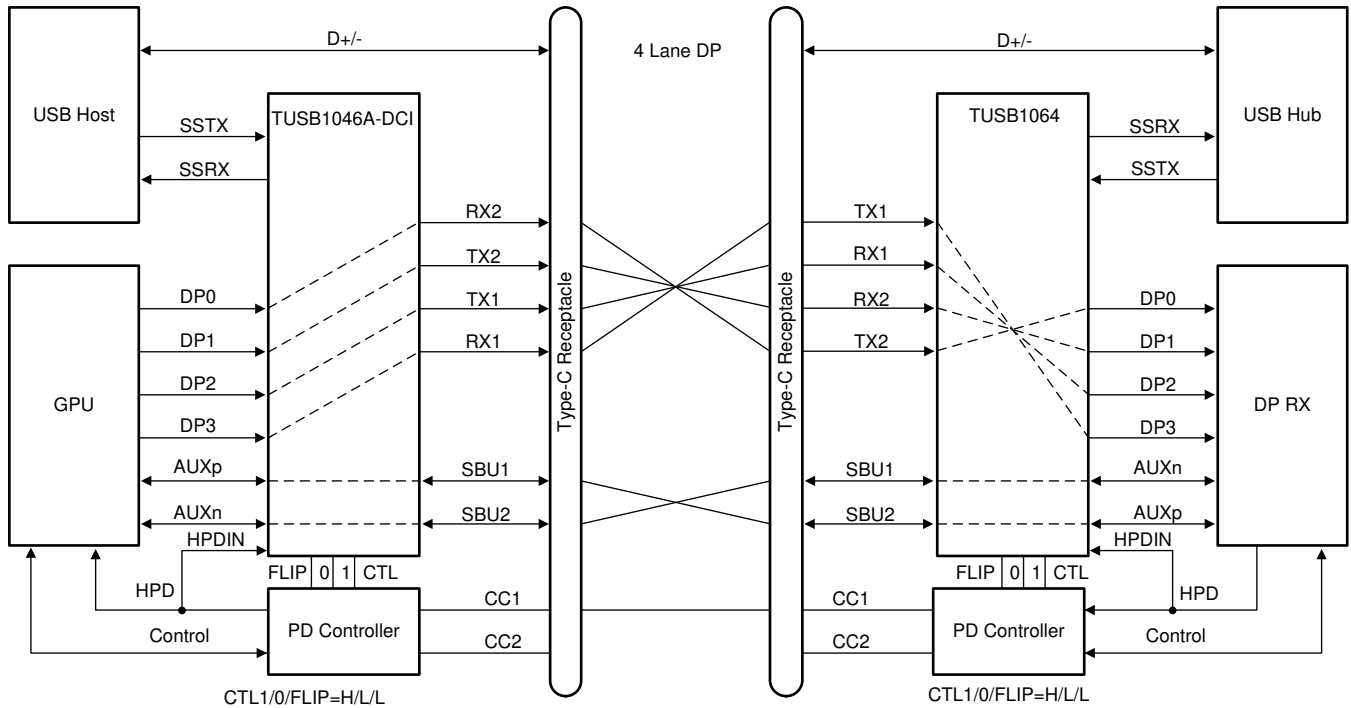
Copyright © 2016, Texas Instruments Incorporated

34. USB 3.1 + 2 Lane DP – Flip (CTL1 = H, CTL0 = H, FLIP = H)

System Examples (continued)

9.3.3 DisplayPort Only

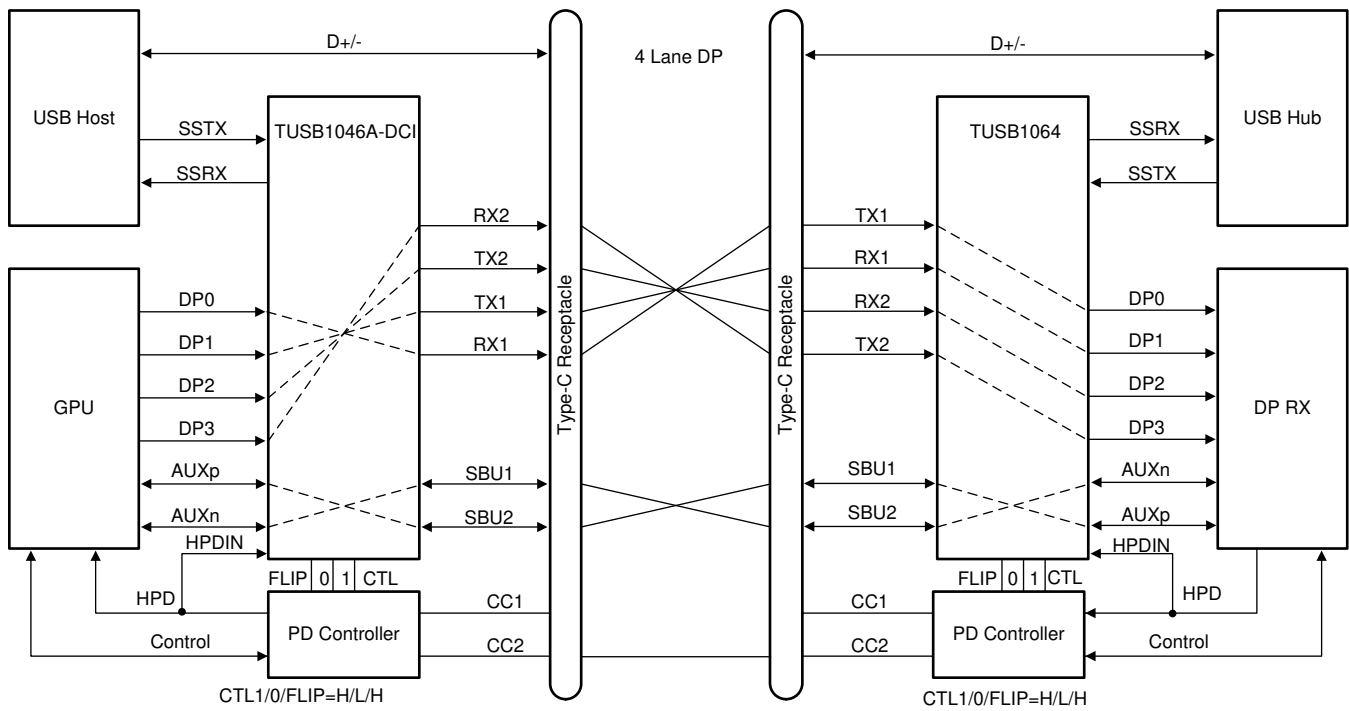
The TUSB1064 operates in 4 Lanes of DisplayPort only mode when the CTL1 pin is high and CTL0 pin is low.



Copyright © 2017, Texas Instruments Incorporated

Figure 35. Four Lane DP – No Flip (CTL1 = H, CTL0 = L, FLIP = L)

System Examples (continued)



Copyright © 2017, Texas Instruments Incorporated

Figure 36. Four Lane DP – With Flip (CTL1 = H, CTL0 = L, FLIP = H)

10 Power Supply Recommendations

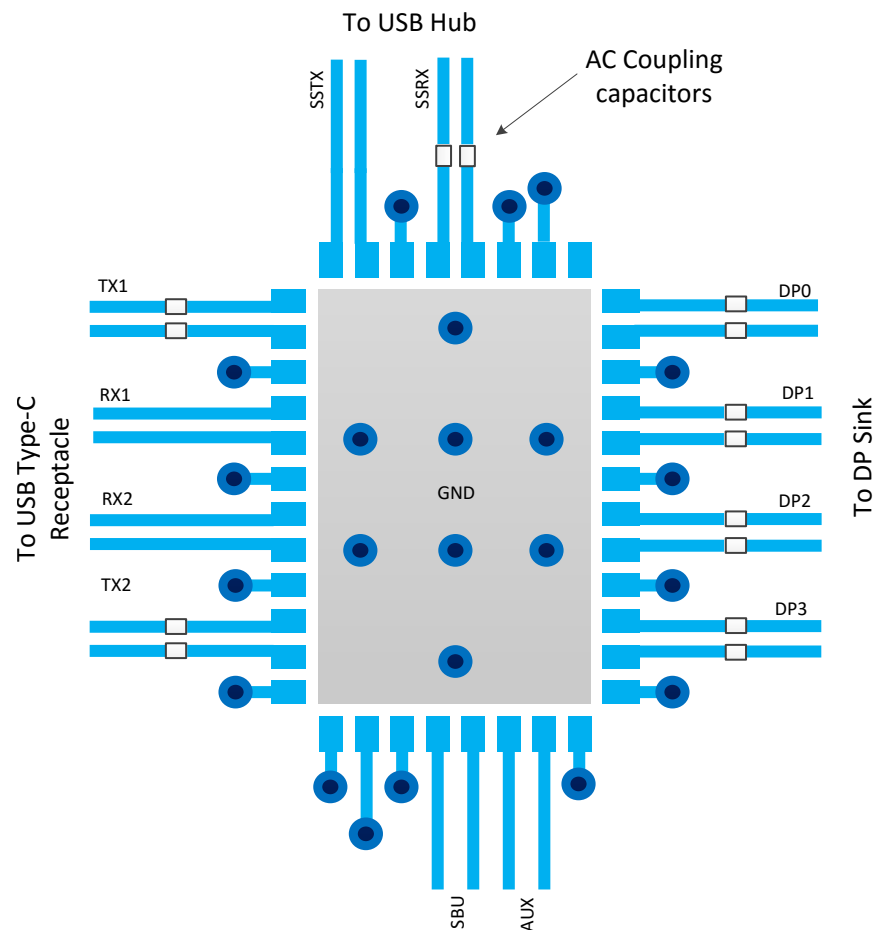
The TUSB1064 is designed to operate with a 3.3-V power supply. Levels above those listed in the table should not be used. If using a higher voltage system power supply, a voltage regulator can be used to step down to 3.3 V. Decoupling capacitors should be used to reduce noise and improve power supply integrity. A 0.1-μF capacitor should be used on each power pin.

11 Layout

11.1 Layout Guidelines

1. RXP/N and TXP/N pairs should be routed with controlled 90-Ω differential impedance ($\pm 15\%$).
2. Keep away from other high speed signals.
3. Intra-pair routing should be kept to within 2 mils.
4. Length matching should be near the location of mismatch.
5. Each pair should be separated at least by 3 times the signal trace width.
6. The use of bends in differential traces should be kept to a minimum. When bends are used, the number of left and right bends should be as equal as possible and the angle of the bend should be ≥ 135 degrees. This will minimize any length mismatch causes by the bends and therefore minimize the impact bends have on EMI.
7. Route all differential pairs on the same of layer.
8. The number of VIAS should be kept to a minimum. It is recommended to keep the VIAS count to 2 or less.
9. Keep traces on layers adjacent to ground plane.
10. Do NOT route differential pairs over any plane split.
11. Adding Test points will cause impedance discontinuity, and therefore, negatively impact signal performance. If test points are used, they should be placed in series and symmetrically. They must not be placed in a manner that causes a stub on the differential pair.

11.2 Layout Example



☒ 37. Layout Example

12 デバイスおよびドキュメントのサポート

12.1 ドキュメントの更新通知を受け取る方法

ドキュメントの更新についての通知を受け取るには、ti.comのデバイス製品フォルダを開いてください。右上の「アラートを受け取る」をクリックして登録すると、変更されたすべての製品情報に関するダイジェストを毎週受け取れます。変更の詳細については、修正されたドキュメントに含まれている改訂履歴をご覧ください。

12.2 コミュニティ・リソース

[TI E2E™ support forums](#) are an engineer's go-to source for fast, verified answers and design help — straight from the experts. Search existing answers or ask your own question to get the quick design help you need.

Linked content is provided "AS IS" by the respective contributors. They do not constitute TI specifications and do not necessarily reflect TI's views; see TI's [Terms of Use](#).

12.3 商標

E2E is a trademark of Texas Instruments.

USB Type-C is a trademark of USB Implementers Forum.

DisplayPort is a trademark of VESA.

All other trademarks are the property of their respective owners.

12.4 静電気放電に関する注意事項



すべての集積回路は、適切なESD保護方法を用いて、取扱いと保存を行うようにして下さい。

静電気放電はわずかな性能の低下から完全なデバイスの故障に至るまで、様々な損傷を与えます。高精度の集積回路は、損傷に対して敏感であり、極めてわずかなパラメータの変化により、デバイスに規定された仕様に適合しなくなる場合があります。

12.5 Glossary

[SLYZ022](#) — *TI Glossary*.

This glossary lists and explains terms, acronyms, and definitions.

13 メカニカル、パッケージ、および注文情報

以降のページには、メカニカル、パッケージ、および注文に関する情報が記載されています。この情報は、そのデバイスについて利用可能な最新のデータです。このデータは予告なく変更されることがあり、ドキュメントが改訂される場合もあります。本データシートのブラウザ版を使用されている場合は、画面左側の説明をご覧ください。

PACKAGING INFORMATION

| Orderable Device | Status (1) | Package Type | Package Drawing | Pins | Package Qty | Eco Plan (2) | Lead finish/ Ball material (6) | MSL Peak Temp (3) | Op Temp (°C) | Device Marking (4/5) | Samples |
|------------------|---------------|--------------|-----------------|------|-------------|-----------------|--------------------------------------|----------------------|--------------|-------------------------|-------------------------|
| TUSB1064IRNQR | ACTIVE | WQFN | RNQ | 40 | 3000 | RoHS & Green | NIPDAU | Level-1-260C-UNLIM | -40 to 85 | TUSB64 | Samples |
| TUSB1064IRNQT | ACTIVE | WQFN | RNQ | 40 | 250 | RoHS & Green | NIPDAU | Level-1-260C-UNLIM | -40 to 85 | TUSB64 | Samples |
| TUSB1064RNQR | ACTIVE | WQFN | RNQ | 40 | 3000 | RoHS & Green | NIPDAU | Level-1-260C-UNLIM | 0 to 70 | TUSB64 | Samples |
| TUSB1064RNQT | ACTIVE | WQFN | RNQ | 40 | 250 | RoHS & Green | NIPDAU | Level-1-260C-UNLIM | 0 to 70 | TUSB64 | Samples |

(1) The marketing status values are defined as follows:

ACTIVE: Product device recommended for new designs.

LIFEBUY: TI has announced that the device will be discontinued, and a lifetime-buy period is in effect.

NRND: Not recommended for new designs. Device is in production to support existing customers, but TI does not recommend using this part in a new design.

PREVIEW: Device has been announced but is not in production. Samples may or may not be available.

OBSELETE: TI has discontinued the production of the device.

(2) **RoHS:** TI defines "RoHS" to mean semiconductor products that are compliant with the current EU RoHS requirements for all 10 RoHS substances, including the requirement that RoHS substance do not exceed 0.1% by weight in homogeneous materials. Where designed to be soldered at high temperatures, "RoHS" products are suitable for use in specified lead-free processes. TI may reference these types of products as "Pb-Free".

RoHS Exempt: TI defines "RoHS Exempt" to mean products that contain lead but are compliant with EU RoHS pursuant to a specific EU RoHS exemption.

Green: TI defines "Green" to mean the content of Chlorine (Cl) and Bromine (Br) based flame retardants meet JS709B low halogen requirements of <=1000ppm threshold. Antimony trioxide based flame retardants must also meet the <=1000ppm threshold requirement.

(3) MSL, Peak Temp. - The Moisture Sensitivity Level rating according to the JEDEC industry standard classifications, and peak solder temperature.

(4) There may be additional marking, which relates to the logo, the lot trace code information, or the environmental category on the device.

(5) Multiple Device Markings will be inside parentheses. Only one Device Marking contained in parentheses and separated by a "-" will appear on a device. If a line is indented then it is a continuation of the previous line and the two combined represent the entire Device Marking for that device.

(6) Lead finish/Ball material - Orderable Devices may have multiple material finish options. Finish options are separated by a vertical ruled line. Lead finish/Ball material values may wrap to two lines if the finish value exceeds the maximum column width.

Important Information and Disclaimer:The information provided on this page represents TI's knowledge and belief as of the date that it is provided. TI bases its knowledge and belief on information provided by third parties, and makes no representation or warranty as to the accuracy of such information. Efforts are underway to better integrate information from third parties. TI has taken and

continues to take reasonable steps to provide representative and accurate information but may not have conducted destructive testing or chemical analysis on incoming materials and chemicals. TI and TI suppliers consider certain information to be proprietary, and thus CAS numbers and other limited information may not be available for release.

In no event shall TI's liability arising out of such information exceed the total purchase price of the TI part(s) at issue in this document sold by TI to Customer on an annual basis.

TAPE AND REEL INFORMATION

QUADRANT ASSIGNMENTS FOR PIN 1 ORIENTATION IN TAPE


*All dimensions are nominal

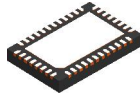
| Device | Package Type | Package Drawing | Pins | SPQ | Reel Diameter (mm) | Reel Width W1 (mm) | A0 (mm) | B0 (mm) | K0 (mm) | P1 (mm) | W (mm) | Pin1 Quadrant |
|---------------|--------------|-----------------|------|------|--------------------|--------------------|---------|---------|---------|---------|--------|---------------|
| TUSB1064IRNQR | WQFN | RNQ | 40 | 3000 | 330.0 | 12.4 | 4.3 | 6.3 | 1.1 | 8.0 | 12.0 | Q2 |
| TUSB1064IRNQT | WQFN | RNQ | 40 | 250 | 180.0 | 12.4 | 4.3 | 6.3 | 1.1 | 8.0 | 12.0 | Q2 |
| TUSB1064RNQR | WQFN | RNQ | 40 | 3000 | 330.0 | 12.4 | 4.3 | 6.3 | 1.1 | 8.0 | 12.0 | Q2 |
| TUSB1064RNQT | WQFN | RNQ | 40 | 250 | 180.0 | 12.4 | 4.3 | 6.3 | 1.1 | 8.0 | 12.0 | Q2 |

TAPE AND REEL BOX DIMENSIONS


*All dimensions are nominal

| Device | Package Type | Package Drawing | Pins | SPQ | Length (mm) | Width (mm) | Height (mm) |
|---------------|--------------|-----------------|------|------|-------------|------------|-------------|
| TUSB1064IRNQR | WQFN | RNQ | 40 | 3000 | 367.0 | 367.0 | 35.0 |
| TUSB1064IRNQT | WQFN | RNQ | 40 | 250 | 210.0 | 185.0 | 35.0 |
| TUSB1064RNQR | WQFN | RNQ | 40 | 3000 | 367.0 | 367.0 | 35.0 |
| TUSB1064RNQT | WQFN | RNQ | 40 | 250 | 210.0 | 185.0 | 35.0 |

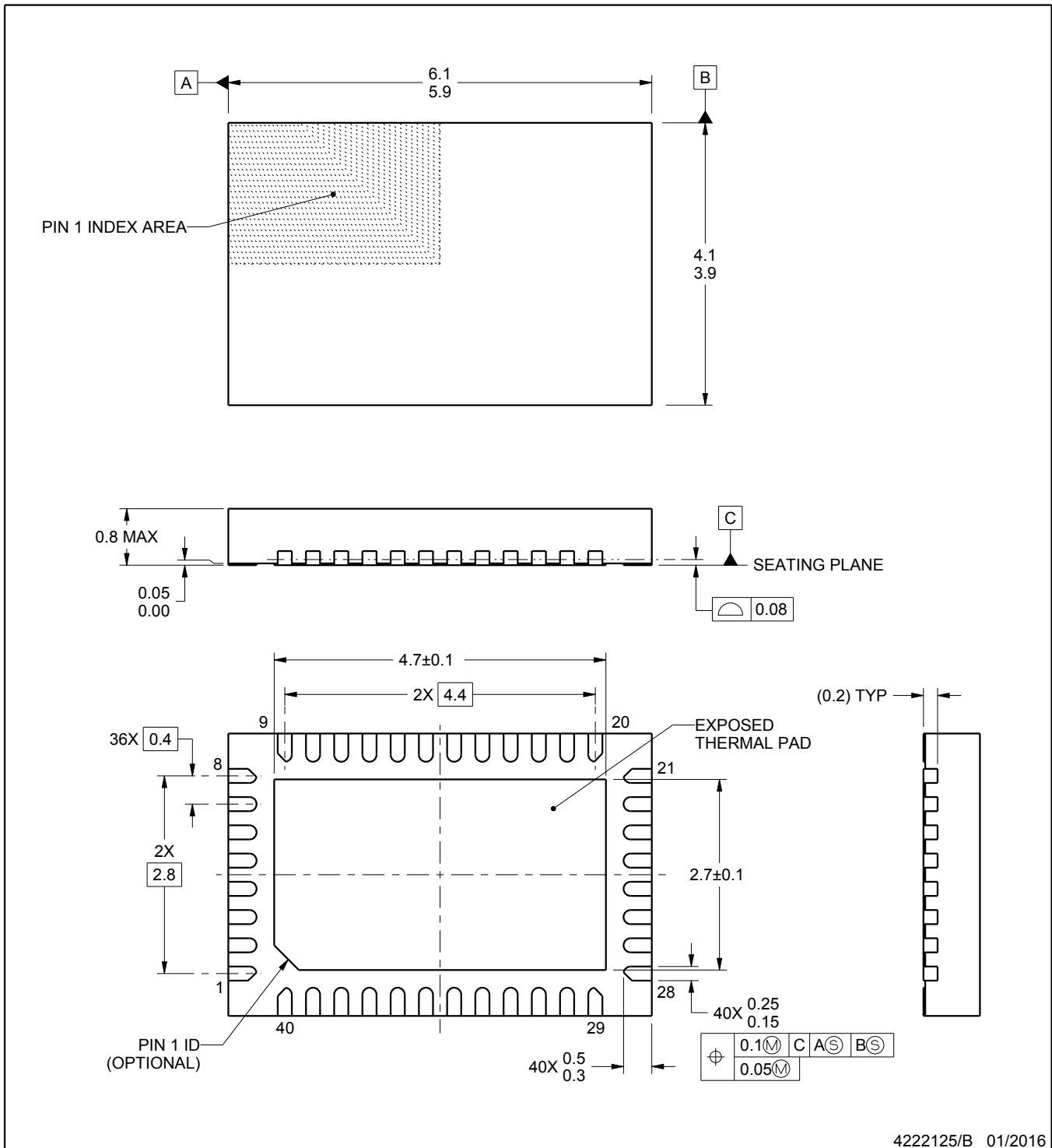
RNQ0040A



PACKAGE OUTLINE

WQFN - 0.8 mm max height

PLASTIC QUAD FLATPACK - NO LEAD



4222125/B 01/2016

NOTES:

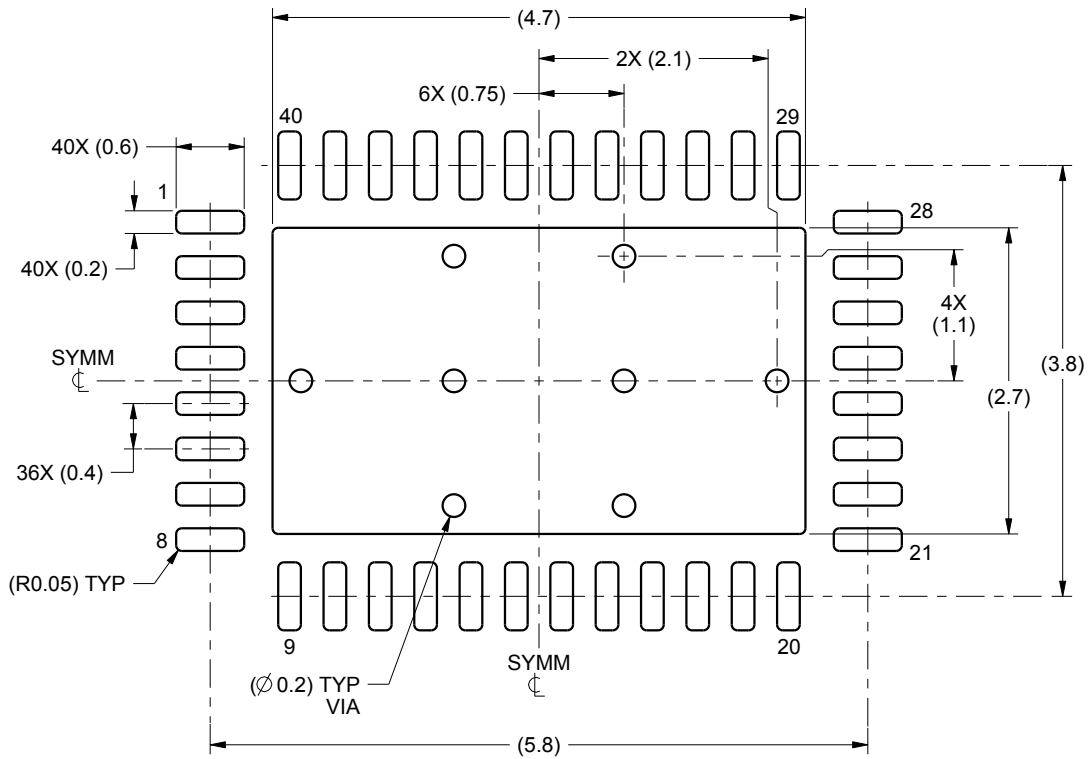
1. All linear dimensions are in millimeters. Any dimensions in parenthesis are for reference only. Dimensioning and tolerancing per ASME Y14.5M.
2. This drawing is subject to change without notice.
3. The package thermal pad must be soldered to the printed circuit board for thermal and mechanical performance.

EXAMPLE BOARD LAYOUT

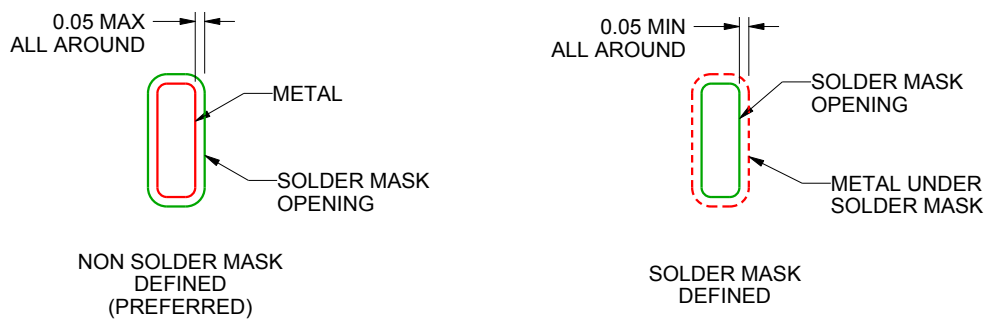
RNQ0040A

WQFN - 0.8 mm max height

PLASTIC QUAD FLATPACK - NO LEAD



LAND PATTERN EXAMPLE
SCALE:15X



SOLDER MASK DETAILS

4222125/B 01/2016

NOTES: (continued)

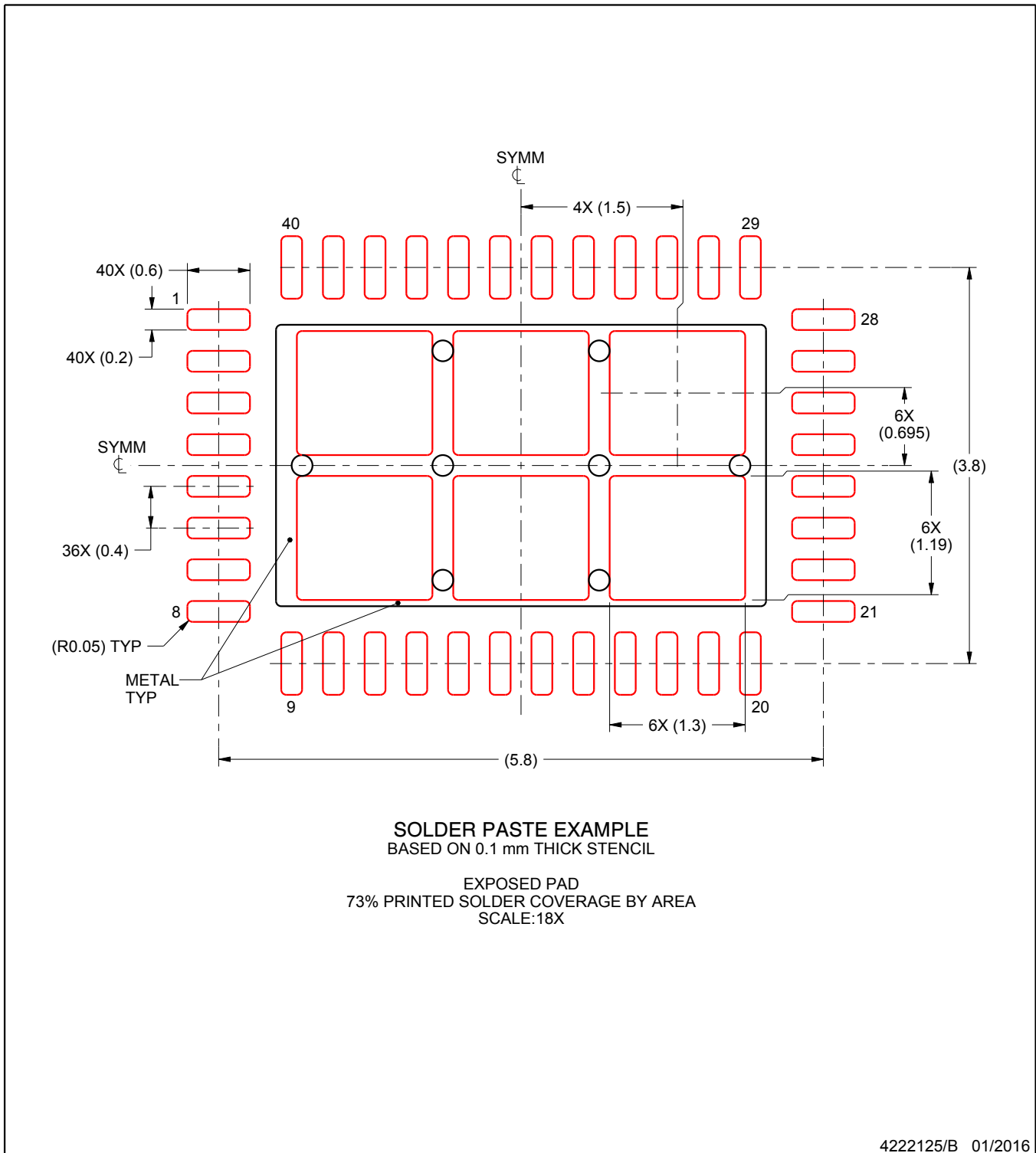
4. This package is designed to be soldered to a thermal pad on the board. For more information, see Texas Instruments literature number SLUA271 (www.ti.com/lit/slua271).

EXAMPLE STENCIL DESIGN

RNQ0040A

WQFN - 0.8 mm max height

PLASTIC QUAD FLATPACK - NO LEAD



NOTES: (continued)

5. Laser cutting apertures with trapezoidal walls and rounded corners may offer better paste release. IPC-7525 may have alternate design recommendations.

重要なお知らせと免責事項

TI は、技術データと信頼性データ(データシートを含みます)、設計リソース(リファレンス・デザインを含みます)、アプリケーションや設計に関する各種アドバイス、Web ツール、安全性情報、その他のリソースを、欠陥が存在する可能性のある「現状のまま」提供しており、商品性および特定目的に対する適合性の黙示保証、第三者の知的財産権の非侵害保証を含むいかなる保証も、明示的または黙示的にかかわらず拒否します。

これらのリソースは、TI 製品を使用する設計の経験を積んだ開発者への提供を意図したものです。(1) お客様のアプリケーションに適した TI 製品の選定、(2) お客様のアプリケーションの設計、検証、試験、(3) お客様のアプリケーションに該当する各種規格や、その他のあらゆる安全性、セキュリティ、規制、または他の要件への確実な適合に関する責任を、お客様のみが単独で負うものとし、

上記の各種リソースは、予告なく変更される可能性があります。これらのリソースは、リソースで説明されている TI 製品を使用するアプリケーションの開発の目的でのみ、TI はその使用をお客様に許諾します。これらのリソースに関して、他の目的で複製することや掲載することは禁止されています。TI や第三者の知的財産権のライセンスが付与されている訳ではありません。お客様は、これらのリソースを自身で使用した結果発生するあらゆる申し立て、損害、費用、損失、責任について、TI およびその代理人を完全に補償するものとし、TI は一切の責任を拒否します。

TI の製品は、[TI の販売条件](#)、または [ti.com](https://www.ti.com) やかかる TI 製品の関連資料などのいずれかを通じて提供する適用可能な条項の下で提供されています。TI がこれらのリソースを提供することは、適用される TI の保証または他の保証の放棄の拡大や変更を意味するものではありません。

お客様がいかなる追加条項または代替条項を提案した場合でも、TI はそれらに異議を唱え、拒否します。

郵送先住所：Texas Instruments, Post Office Box 655303, Dallas, Texas 75265

Copyright © 2022, Texas Instruments Incorporated