

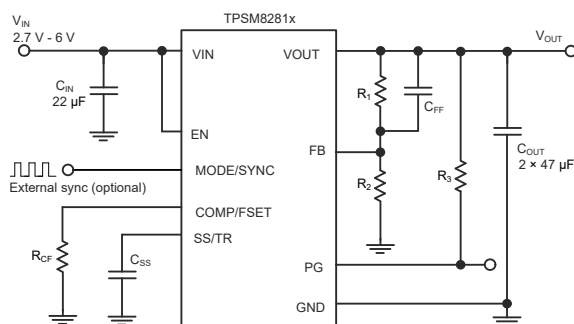
# TPSM8281x 2.7V~6V 入力、4A/6A 降圧パワー モジュール、インダクタ内蔵、 周波数同期機能付き、MicroSiP™ および MagPack™ パッケージ

## 1 特長

- 1.8MHz~4MHz の調整可能で同期可能なスイッチング周波数
- 拡散スペクトラム クロック処理 (オプション)
- 強制 PWM または PFM/PWM 動作を選択可能
- 出力電圧精度  $\pm 1\%$  (PWM 動作)
- 入力電圧範囲: 2.7V~6V
- 出力電圧範囲: 0.6V~5.5V
- 調整可能なソフト スタートまたはトラッキング
- ウィンドウ コンパレータによるパワー グッド出力
- 高精度の ENABLE 入力が可能
  - ユーザー定義の低電圧誤動作防止機能
  - 正確なシーケンシング
- 低 EMI 要件に対して最適化
  - ボンド ワイヤ パッケージなし
  - MagPack テクノロジーはインダクタと IC をシールド
  - 最適化されたピン配置によるレイアウトの簡素化
- 100% デューティ サイクル
- 出力放電
- 標準静止電流: 18 $\mu$ A
- 動作温度範囲: -40°C~125°C
- パッケージの最大高さ: 1.6mm (SIE) / 2.0mm (VCA)
- 優れた放熱対策
- 次のデバイスとピン互換
  - SIE: **TPSM82813** (3A) および **TPSM82810** (4A)
  - VCA (MagPack): **TPSM82811** (1A)、**TPSM82812** (2A)、**TPSM82813** (3A)

## 2 アプリケーション

- 光モジュール、データ センターの相互接続
- 試験および測定機器



回路図

- [メディカル モニタと診断](#)
- [ワイヤレス インフラ](#)
- [航空宇宙および防衛](#)

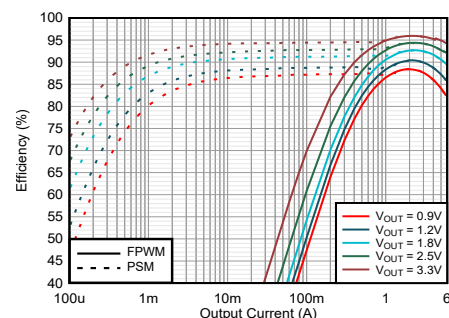
## 3 概要

TPSM8281x はピン互換で 1A、2A、3A、4A、および 6A の、高効率で使いやすい、インダクタ内蔵の同期整流降圧型 DC/DC パワー モジュールのファミリーです。これらのデバイスは、固定周波数のピーク電流モードの制御トポロジに基づいています。高い電力密度と使いやすさが要件である、テレコミュニケーション、テストと測定、医療用アプリケーションで使用されます。抵抗値の低いスイッチにより、高い周囲温度でも最大 6A の連続出力電流を供給できます。スイッチング周波数は 1.8MHz~4MHz の範囲で外部から変更でき、同じ周波数範囲の外部クロックと同期することもできます。パワー セーブ モードでは、負荷が軽いとき TPSM8281x は自動的に PFM へ移行するため、負荷範囲全体にわたって高い効率が維持されます。TPSM8281x は PWM モードで 1% の出力電圧精度を実現するため、出力電圧精度の高い電源の設計に役立ちます。SS/TR ピンを使用して、スタートアップ時間を設定したり、出力電圧が外部ソースに追従するよう設定したりできます。この動作により、各種の電源レールの外部シーケンシングが可能で、スタートアップ時の突入電流が制限されます。

### 製品情報

部品番号 <sup>(3)</sup>	出力電流	パッケージ <sup>(1)</sup>	本体サイズ (公称)
TPSM82814 <sup>(2)</sup>	4A	VCA (QFN-FCMOD, 13)	2.5mm × 3.0mm
TPSM82816	6A		
TPSM82816	6A	SIE (uSiP, 14)	3.0mm × 4.0mm

- (1) 詳細については、[セクション 11](#) を参照してください。
- (2) プレビュー情報 (量産データではありません)。
- (3) [デバイス比較表](#) を参照してください。



TPSM82816PVCA の効率 ( $V_{IN} = 5V$ )



## Table of Contents

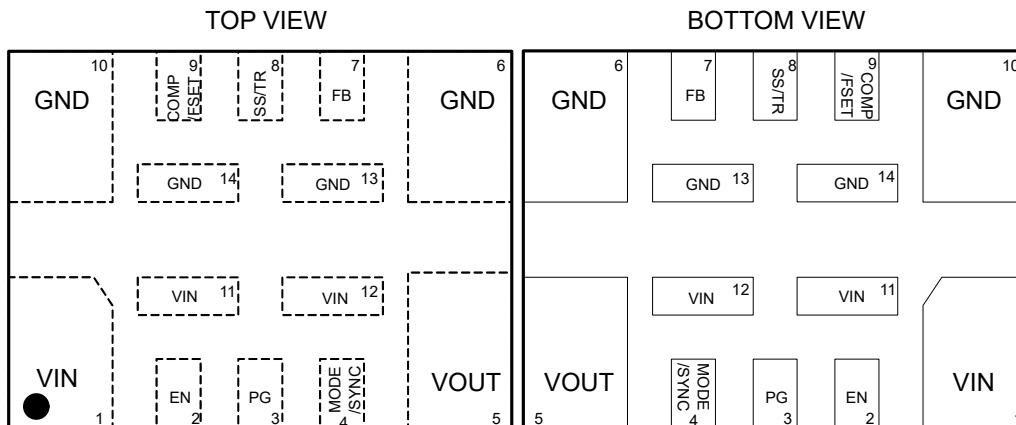
<b>1 特長</b> .....	<b>1</b>	<b>8 Application and Implementation</b> .....	<b>17</b>
<b>2 アプリケーション</b> .....	<b>1</b>	8.1 Application Information.....	17
<b>3 概要</b> .....	<b>1</b>	8.2 Typical Application.....	17
<b>4 Device Comparison Table</b> .....	<b>3</b>	8.3 System Examples.....	25
<b>5 Pin Configuration and Functions</b> .....	<b>4</b>	8.4 Power Supply Recommendations.....	26
<b>6 Specifications</b> .....	<b>6</b>	8.5 Layout.....	27
6.1 Absolute Maximum Ratings.....	6	<b>9 Device and Documentation Support</b> .....	<b>29</b>
6.2 ESD Ratings.....	6	9.1 Device Support.....	29
6.3 Recommended Operating Conditions.....	6	9.2 Documentation Support.....	29
6.4 Thermal Information.....	7	9.3 ドキュメントの更新通知を受け取る方法.....	29
6.5 Electrical Characteristics.....	7	9.4 サポート・リソース.....	29
6.6 Typical Characteristics.....	9	9.5 Trademarks.....	29
<b>7 Detailed Description</b> .....	<b>10</b>	9.6 静電気放電に関する注意事項.....	29
7.1 Overview.....	10	9.7 用語集.....	29
7.2 Functional Block Diagram.....	10	<b>10 Revision History</b> .....	<b>30</b>
7.3 Feature Description.....	11	<b>11 Mechanical, Packaging, and Orderable Information</b> .....	<b>30</b>
7.4 Device Functional Modes.....	15		

## 4 Device Comparison Table

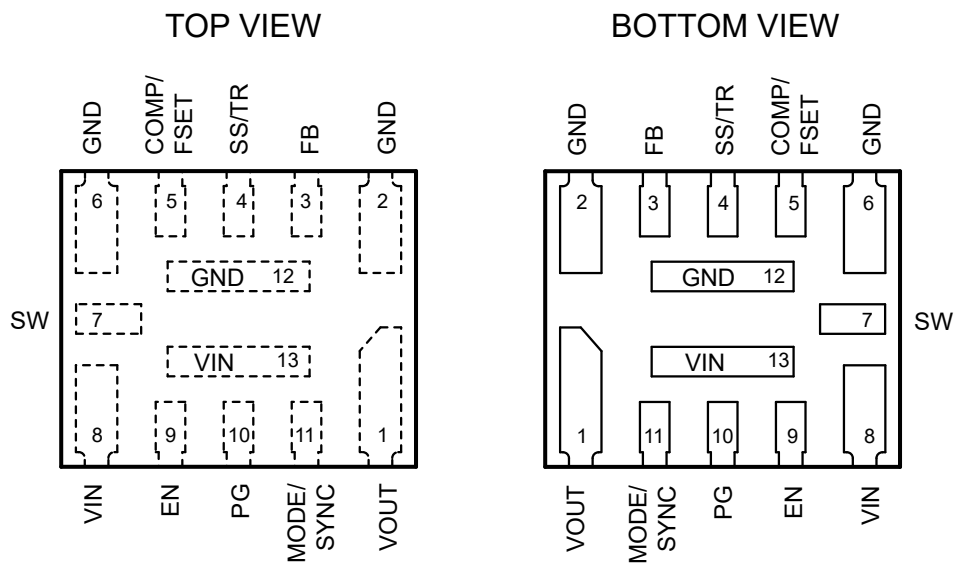
DEVICE NUMBER <sup>(1)</sup>	OUTPUT CURRENT	SPREAD SPECTRUM CLOCKING	BODY SIZE (NOM)
TPSM82814PVCAR <sup>(2)</sup>	4 A	Set by COMP / FSET pin	2.5 mm × 3.0 mm × 1.95 mm
TPSM82816PVCAR	6 A		3.0 mm × 4.0 mm × 1.6 mm
TPSM82816SIER	6 A		

- (1) For all available packages, see [セクション 11](#).  
 (2) Preview information (not Production Data).

## 5 Pin Configuration and Functions



5-1. uSiP 14-Pin SIE Package



5-2. QFN-FCMOD 13-Pin VCA Package

**表 5-1. Pin Functions**

NAME	PIN		TYPE <sup>(1)</sup>	DESCRIPTION
	SIE	VCA		
EN	2	9	I	This pin is the enable pin of the device. Connect to logic low to disable the device. Pull high to enable the device. Do not leave this pin unconnected.
FB	7	3	I	Voltage feedback input. Connect the output voltage resistor divider to this pin.
GND	6, 10, 13, 14	2, 6, 12		Ground pin
MODE/ SYNC	4	11	I	The device runs in PSM (auto PFM/PWM transition) mode when this pin is pulled low. When the pin is pulled high, the device runs in forced PWM mode. Do not leave this pin unconnected. The MODE/SYNC pin can also be used to synchronize the device to an external frequency. See <a href="#">Synchronizing to an External Clock</a> .
COMP/ FSET	9	5	I	Device compensation and frequency set input. A resistor from this pin to GND defines the compensation of the control loop as well as the switching frequency if not externally synchronized. The switching frequency is set to 2.25 MHz if the pin is tied to GND or VIN. Spread spectrum is also enabled and disabled by this pin. See <a href="#">COMP/FSET</a> . Do not leave this pin unconnected.
PG	3	10	O	Open-drain power-good output with window comparator. This pin is pulled to GND while VOUT is outside the power-good threshold. This pin can be left open or tied to GND if not used. A pullup resistor can be connected to any voltage not larger than VIN.
SS/TR	8	4	I	Soft-start, tracking pin. A capacitor connected from this pin to GND defines the output voltage rise time. The pin can also be used as an input for tracking and sequencing - see <a href="#">Voltage Tracking</a> .
VOUT	5	1		Output voltage pin. This pin is internally connected to the integrated inductor.
VIN	1, 11, 12	8, 13		Power supply input. Connect the input capacitor as close as possible between the VIN and GND pins.
SW	—	7	O	Switch pin of the power stage. This pin can be left floating.

(1) I = input, O = output

## 6 Specifications

### 6.1 Absolute Maximum Ratings

over operating temperature range (unless otherwise noted)<sup>(1)</sup>

		MIN	MAX	UNIT
Pin voltage <sup>(2)</sup>	VIN, EN, MODE/SYNC	-0.3	6.5	V
	SW	-0.3	V <sub>IN</sub> +0.3	V
	SW (transient for less than 10 ns) <sup>(3)</sup>	-3	10	V
	FB	-0.3	4	V
	COMP/FSET, PG, SS/TR, VOUT	-0.3	V <sub>IN</sub> + 0.3	V
I <sub>SINK_PG</sub>	Sink Current at PG pin		10	mA
T <sub>J</sub>	Operating junction temperature	-40	125	°C
T <sub>stg</sub>	Storage temperature	-40	125	°C

(1) Operation outside the Absolute Maximum Ratings may cause permanent device damage. Absolute Maximum Ratings do not imply functional operation of the device at these or any other conditions beyond those listed under Recommended Operating Conditions. If used outside the Recommended Operating Conditions but within the Absolute Maximum Ratings, the device may not be fully functional, and this may affect device reliability, functionality, performance, and shorten the device lifetime.

(2) All voltage values are with respect to the network ground terminal

(3) While switching

### 6.2 ESD Ratings

			VALUE	UNIT
V <sub>(ESD)</sub>	Electrostatic discharge	Human body model (HBM), per ANSI/ESDA/JEDEC JS-001, all pins <sup>(1)</sup>	±2000	V
		Charged device model (CDM), per ANSI/ESDA/JEDEC JS-002, all pins <sup>(2)</sup>	±750	

(1) JEDEC document JEP155 states that 500-V HBM allows safe manufacturing with a standard ESD control process.

(2) JEDEC document JEP157 states that 250-V CDM allows safe manufacturing with a standard ESD control process.

### 6.3 Recommended Operating Conditions

		MIN	NOM	MAX	UNIT
V <sub>IN</sub>	Input voltage range	2.7		6	V
V <sub>OUT</sub>	Output voltage range	0.6		5.5	V
I <sub>OUT</sub>	Output current	0		6	A
C <sub>OUT</sub>	Effective output capacitance <sup>(1)</sup>	32 × V / V <sub>OUT</sub>		470	μF
C <sub>IN</sub>	Effective input capacitance <sup>(1)</sup>	5	10		μF
R <sub>CF</sub>		4.5		100	kΩ
I <sub>SINK_PG</sub>	Sink current at PG pin	0		2	mA
T <sub>J</sub>	Junction temperature	-40		125	°C

(1) The values given for all the capacitors in the table are effective capacitance, which includes the DC bias effect. Due to the DC bias effect of ceramic capacitors, the effective capacitance is lower than the nominal value when a voltage is applied. Please check the manufacturer's DC bias curves for the effective capacitance vs DC voltage applied. Please see the feature description for COMP/FSET about the output capacitance vs compensation setting and output voltage.

## 6.4 Thermal Information

THERMAL METRIC <sup>(1)</sup>		TPSM8281x				UNIT
		SIE (14 PINS)		VCA (13 PINS)		
		JEDEC 51-5	EVM	JEDEC 51-7	EVM	
R <sub>θJA</sub>	Junction-to-ambient thermal resistance	45.3	32.2	72.1	26.6	°C/W
R <sub>θJC(top)</sub>	Junction-to-case (top) thermal resistance	29	n/a <sup>(2)</sup>	37.2	n/a <sup>(2)</sup>	°C/W
R <sub>θJB</sub>	Junction-to-board thermal resistance	27.4	n/a <sup>(2)</sup>	21.2	n/a <sup>(2)</sup>	°C/W
Ψ <sub>JT</sub>	Junction-to-top characterization parameter	5.7	7.2	(-0.4) <sup>(3)</sup>	(-1.9) <sup>(3)</sup>	°C/W
Ψ <sub>JB</sub>	Junction-to-board characterization parameter	16.2	12.7	20.8	10.1	°C/W

- (1) For more information about thermal metrics, see the [Semiconductor and IC Package Thermal Metrics](#) application note.  
(2) Not applicable to an EVM.  
(3) The junction temperature is lower than the inductor temperature leading to a temperature increase towards the top of the package

## 6.5 Electrical Characteristics

Over operating junction temperature range (T<sub>J</sub> = -40°C to +125°C) and V<sub>IN</sub> = 2.7 V to 6 V. Typical values at V<sub>IN</sub> = 5 V and T<sub>J</sub> = 25°C. (unless otherwise noted)

PARAMETER		TEST CONDITIONS	MIN	TYP	MAX	UNIT
<b>SUPPLY</b>						
I <sub>Q</sub>	Quiescent current	EN = High, no load, device not switching, MODE/SYNC = GND, V <sub>OUT</sub> = 0.6 V		18	36	μA
I <sub>SD</sub>	Shutdown current	EN = GND		0.15	90	μA
V <sub>UVLO</sub>	Undervoltage lockout threshold	V <sub>IN</sub> rising	2.45	2.6	2.7	V
		V <sub>IN</sub> falling	2.1	2.5	2.6	V
T <sub>JSD</sub>	Thermal shutdown threshold	T <sub>J</sub> rising		180		°C
	Thermal shutdown hysteresis	T <sub>J</sub> falling		15		°C
<b>CONTROL and INTERFACE</b>						
V <sub>IH,EN</sub>	Input threshold voltage	EN rising	1.05	1.1	1.15	V
V <sub>IL,EN</sub>	Input threshold voltage	EN falling	0.96	1.0	1.05	V
I <sub>IH,EN</sub>	Input leakage current into EN	EN = VIN or GND			125	nA
V <sub>IH</sub>	Input-threshold voltage at MODE/SYNC		1.1			V
V <sub>IL</sub>	Input-threshold voltage at MODE/SYNC				0.3	V
I <sub>IH</sub>	Input leakage current into MODE/SYNC				250	nA
f <sub>SW</sub>	PWM switching frequency range	MODE/SYNC = high	1.8	2.25	4	MHz
f <sub>SW</sub>	PWM switching frequency	COMP/FSET = GND or V <sub>IN</sub>	2.08	2.25	2.4	MHz
f <sub>SW</sub>	PWM switching frequency tolerance	using a resistor from COMP/FSET to GND	-12%		12%	
f <sub>SYNC</sub>	Frequency range on MODE/SYNC pin for synchronization		1.8		4	MHz
t <sub>Sync_lock</sub>	Time to lock to external frequency			50		μs
	Duty cycle of synchronization signal at MODE/SYNC		20%		80%	
t <sub>Delay</sub>	Enable delay time	Time from EN high to device starts switching; V <sub>IN</sub> applied already	135	270	520	μs
t <sub>Ramp</sub>	Output voltage ramp time, SS/TR pin open	I <sub>OUT</sub> = 0 mA, time from device starts switching to power good; device not in current limit	90	150	220	μs
I <sub>SS/TR</sub>	SS/TR source current		8	10	12	μA
R <sub>DIS,SS/TR</sub>	Internal discharge resistance on SS/TR	EN = low	0.7	1.1	1.5	kΩ
	Tracking gain	V <sub>FB</sub> / V <sub>SS/TR</sub>		1		

## 6.5 Electrical Characteristics (続き)

Over operating junction temperature range ( $T_J = -40^\circ\text{C}$  to  $+125^\circ\text{C}$ ) and  $V_{IN} = 2.7\text{ V}$  to  $6\text{ V}$ . Typical values at  $V_{IN} = 5\text{ V}$  and  $T_J = 25^\circ\text{C}$ . (unless otherwise noted)

PARAMETER		TEST CONDITIONS	MIN	TYP	MAX	UNIT
	Tracking offset	$V_{FB}$ when $V_{SS/TR} = 0\text{ V}$		$\pm 1$		mV
$V_{TH\_PG}$	UVP Power-good threshold voltage; dc level	$V_{OUT}$ rising ( $\%V_{FB}$ )	92%	95%	98%	
		$V_{OUT}$ falling ( $\%V_{FB}$ )	87%	90%	93%	
$V_{TH\_PG}$	OVP Power-good threshold voltage; dc level	$V_{OUT}$ rising ( $\%V_{FB}$ )	107%	110%	113%	
		$V_{OUT}$ falling ( $\%V_{FB}$ )	104%	107%	111%	
$V_{OL\_PG}$	Low-level output voltage at PG	$I_{SINK\_PG} = 2\text{ mA}$		0.01	0.3	V
$I_{IH\_PG}$	Input leakage current into PG	$V_{PG} = 5\text{ V}$			100	nA
$t_{PG\_DLY}$	PG deglitch time	for a high level to low level transition on the Power-good output		40		$\mu\text{s}$
<b>OUTPUT</b>						
$V_{FB}$	Feedback voltage			0.6		V
	Feedback voltage accuracy	PWM mode, $V_{IN} \geq V_{OUT} + 1\text{ V}$	-1%		1%	
		PFM mode, $V_{IN} \geq V_{OUT} + 1\text{ V}$ , $V_{OUT} \geq 1.5\text{ V}$ , $C_o, \text{eff} \geq 47\text{ }\mu\text{F}$	-1%		2%	
		PFM mode, $V_{IN} \geq V_{OUT} + 1\text{ V}$ , $V_{OUT} < 1.5\text{ V}$ , $C_o, \text{eff} \geq 68\text{ }\mu\text{F}$	-1%		2.5%	
Feedback voltage accuracy with voltage tracking	$V_{IN} \geq V_{OUT} + 1\text{ V}$ , $V_{SS/TR} = 0.3\text{ V}$ , PWM mode	-5%		5%		
$I_{IH\_FB}$	Input leakage current into FB	$V_{FB} = 0.6\text{ V}$		1	70	nA
	Load regulation	PWM mode		0.05		%/A
$R_{DIS}$	Output discharge resistance			30	50	$\Omega$
$t_{on\_min}$	Minimum on-time of high-side FET	$V_{IN} \geq 3.3\text{ V}$		45	67	ns
$R_{DP}$	Dropout resistance TPSM82816SIE	100% mode		27		m $\Omega$
$R_{DP}$	Dropout resistance TPSM82814PVCA, TPSM82816PVCA	100% mode		23		m $\Omega$
$I_{LIMH}$	High-side FET switch current limit TPSM82814	DC value, $V_{IN} = 3\text{ V}$ to $6\text{ V}$	5.3	7.2	8.4	A
$I_{LIMH}$	High-side FET switch current limit TPSM82816	DC value, $V_{IN} = 3\text{ V}$ to $6\text{ V}$	7.3	9.2	10.4	A
$I_{LIMNEG}$	Low-side FET negative current limit	DC value, MODE/SYNC = high		-3		A



## 6.6 Typical Characteristics

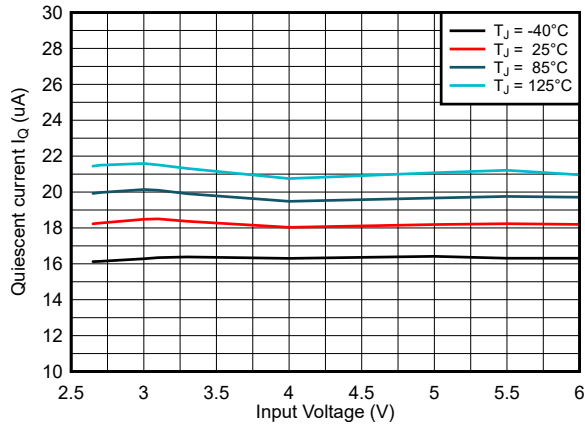


Figure 6-1. Quiescent Current

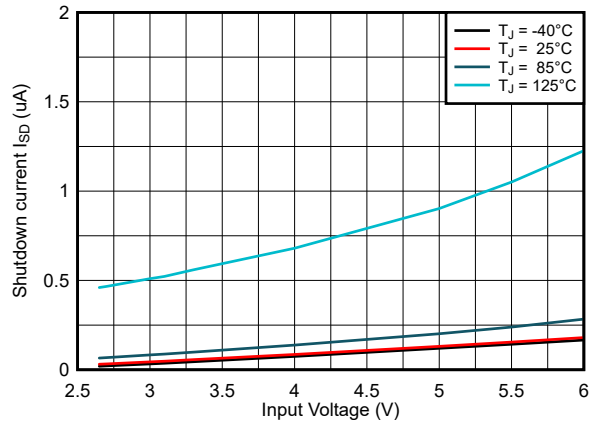


Figure 6-2. Shutdown Current

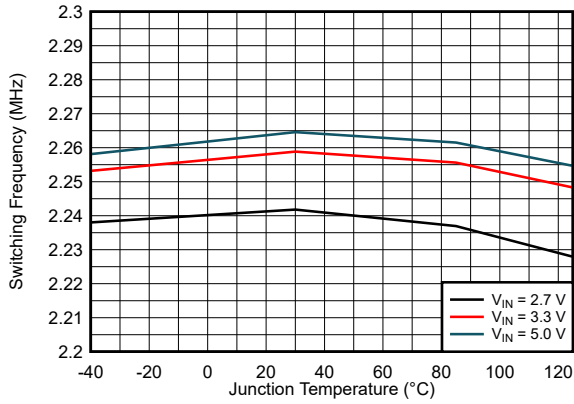


Figure 6-3. Oscillator Frequency (COMP/FSET = VIN)

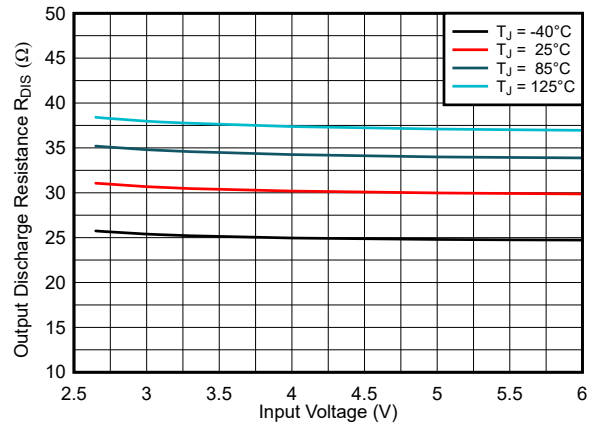


Figure 6-4. Discharge Resistance

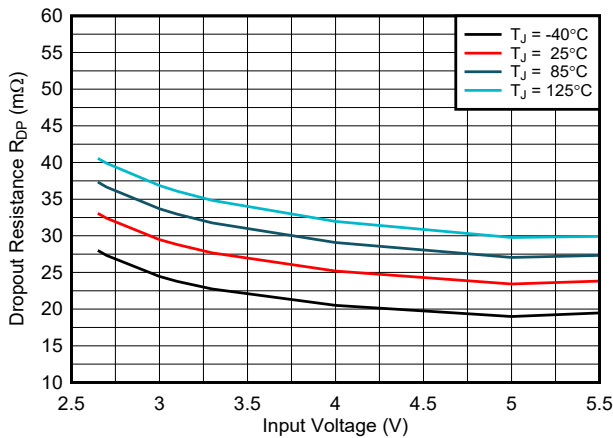


Figure 6-5. Dropout Resistance TPSM8281xPVCA

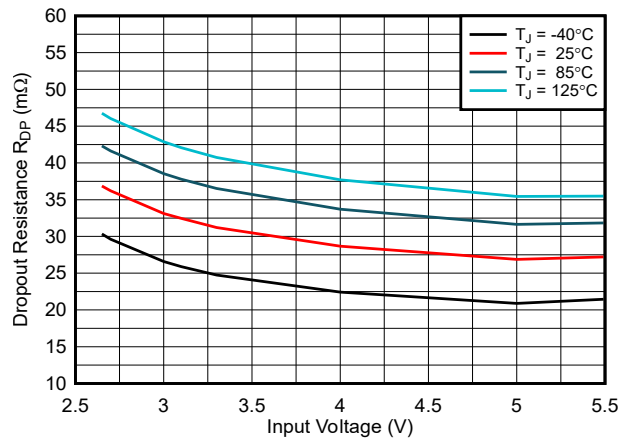


Figure 6-6. Dropout Resistance TPSM82816SIE

## 7 Detailed Description

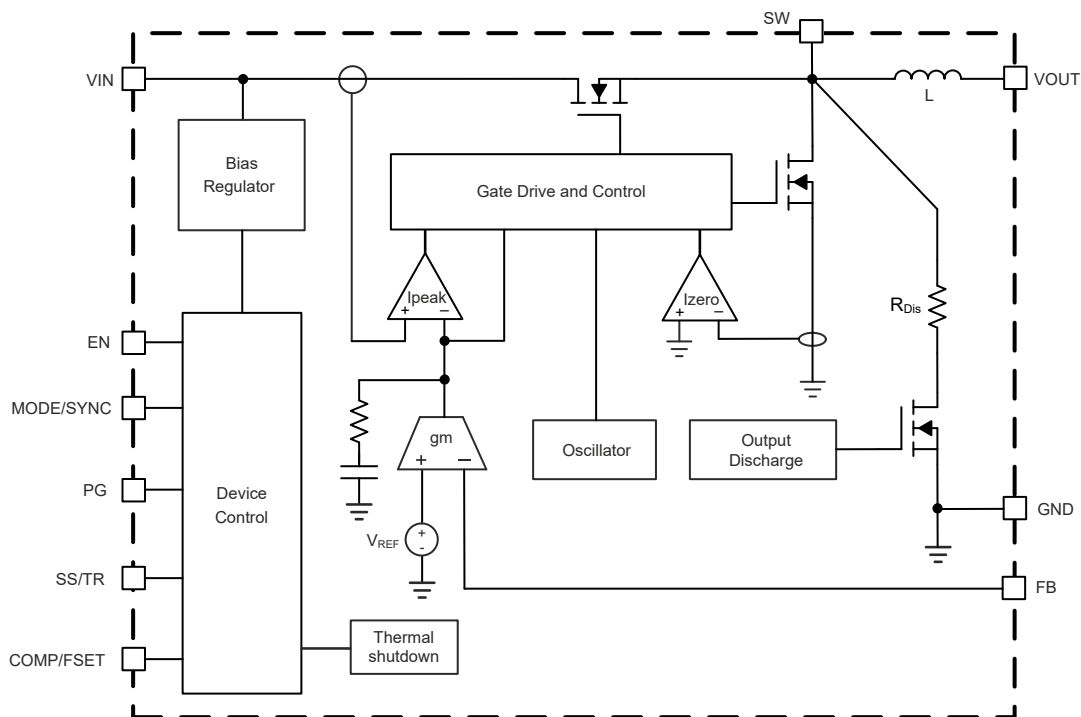
### 7.1 Overview

The TPSM8281x synchronous switch mode DC/DC converter power modules are based on a fixed-frequency peak current-mode control topology. The control loop is internally compensated. To optimize the bandwidth of the control loop to the wide range of output capacitance that can be used with the TPSM8281x, one of two internal compensation settings can be selected. See [COMP/FSET](#). The compensation setting is selected either by a resistor from COMP/FSET to GND or by the logic state of this pin. The regulation network achieves fast and stable operation with small external components and low-ESR ceramic output capacitors.

The device supports forced fixed frequency operation (FPWM) with the MODE/SYNC pin tied to a logic high level. The frequency is defined as either 2.25 MHz (internally fixed when COMP/FSET is tied to GND or VIN) or in a range of 1.8 MHz to 4 MHz (defined by a resistor from COMP/FSET to GND). Alternatively, the device can be synchronized to an external clock signal in a range from 1.8 MHz to 4 MHz, applied to the MODE/SYNC pin with no need for additional passive components. An internal PLL allows the device to change from internal clock to external clock during operation. The synchronization to the external clock is done on the falling edge of the clock applied at MODE/SYNC to the rising edge on the internal SW node. When the MODE/SYNC pin is set to a logic low level, the device operates in power save mode (PSM). At low output current, the device operates in PFM mode and automatically transitions to fixed-frequency PWM mode at higher output current. In PFM operation, the switching frequency decreases linearly based on the load to sustain high efficiency down to very low output current (see [Power Save Mode Operation \(PSM\)](#) for more details).

The TPSM8281xP versions in the VCA package use MagPack technology to deliver the highest-performance power module design. Leveraging our proprietary integrated-magnetics MagPack packaging technology, these power modules deliver industry-leading power density, high efficiency and good thermal performance, ease of use, and reduced EMI emissions.

### 7.2 Functional Block Diagram



## 7.3 Feature Description

### 7.3.1 Precise Enable (EN)

The TPSM8281x starts operation when the rising EN threshold is exceeded. For proper operation, the EN pin must be terminated and must not be left floating. Pulling the EN pin low forces the device into shutdown. In this mode, the internal high-side and low-side MOSFETs are turned off and the entire internal control circuitry is switched off. The voltage applied at the EN pin of the TPSM8281x is compared to a fixed threshold of 1.1 V for a rising voltage.

The enable input threshold for a falling edge is typically 100 mV lower than the rising edge threshold. The Precise Enable input provides a user-programmable undervoltage lockout by adding a resistor divider to the input of the EN pin. The Precise Enable input also allows you to drive the pin by a slowly changing voltage and enables the use of an external RC network to achieve a precise power-up delay. See the [Achieving a Clean Start-up by Using a DC/DC Converter with a Precise Enable-pin Threshold](#) analog design journal for more details.

### 7.3.2 Output Discharge

The purpose of the discharge function is to make sure of a defined down-ramp of the output voltage when the device is being disabled, but also to keep the output voltage close to 0 V when the device is off. The output discharge feature is only active after the TPSM8281x has been enabled at least once since the supply voltage was applied. The discharge function is enabled as soon as the device is disabled, in thermal shutdown, or in undervoltage lockout. The minimum supply voltage required for the discharge function to remain active is typically 2 V. Output discharge is not activated during a current limit event.

### 7.3.3 COMP/FSET

This pin allows the user to set three different parameters independently:

- Internal compensation settings for the control loop (two settings available)
- The switching frequency in PWM mode from 1.8 MHz to 4 MHz
- Enable / disable spread spectrum clocking (SSC)

A resistor from COMP/FSET to GND changes the compensation as well as the switching frequency. The change in compensation allows the user to adopt the device to different values of output capacitance. The resistor must be placed close to the pin to keep the parasitic capacitance on the pin to a minimum. The compensation setting is sampled at the start-up of the converter, so a change in the resistor during operation only has an effect on the switching frequency, but not on the compensation.

To save external components, the pin can also be directly tied to VIN or GND to set a pre-defined switching frequency or compensation. Do not leave the pin floating.

The switching frequency has to be selected based on the maximum input voltage in the application and the output voltage to meet the specifications for the minimum on time.

Example:  $V_{IN} = 5.5\text{ V}$ ,  $V_{OUT} = 1\text{ V}$

$$f_{Sw,max} = \frac{V_{OUT}}{V_{IN} \times t_{ON,min}} = \frac{1\text{ V}}{5.5\text{ V} \times 67\text{ ns}} = 2.71\text{ MHz} \quad (1)$$

The compensation range has to be chosen based on the effective minimum capacitance used. The capacitance can be increased from the minimum value as given in [表 7-1](#), up to the maximum of 470  $\mu\text{F}$  in both compensation ranges. If the capacitance of an output changes during operation, for example when load switches are used to connect or disconnect parts of the circuitry, the compensation has to be chosen for the minimum capacitance on the output. If the output capacitance exceeds  $72\ \mu\text{F} \times V / V_{OUT}[\text{V}]$ , use the second compensation setting to get the best load transient response. If the output capacitance only exceeds  $32\ \mu\text{F} \times V / V_{OUT}[\text{V}]$ , use the first compensation setting. Compensating for large output capacitance but having too little effective capacitance on the output can lead to instability.

The switching frequency for the different compensation setting is determined by the following equations.

For compensation (comp) setting 1 with spread spectrum clocking (SSC) disabled:

$$R_{CF} [k\Omega] = \frac{18 \text{ MHz} \times k\Omega}{f_S [\text{MHz}]} \quad (2)$$

For compensation (comp) setting 1 with spread spectrum clocking (SSC) enabled:

$$R_{CF} [k\Omega] = \frac{60 \text{ MHz} \times k\Omega}{f_S [\text{MHz}]} \quad (3)$$

For compensation (comp) setting 2 with spread spectrum clocking (SSC) disabled:

$$R_{CF} [k\Omega] = \frac{180 \text{ MHz} \times k\Omega}{f_S [\text{MHz}]} \quad (4)$$

**表 7-1. Switching Frequency and Compensation**

COMPENSATION	R <sub>CF</sub>	SWITCHING FREQUENCY	MINIMUM OUTPUT CAPACITANCE
For smallest output capacitance (comp setting 1) SSC disabled	10 kΩ ... 4.5 kΩ	1.8 MHz (10 kΩ) ... 4 MHz (4.5 kΩ) according to 式 2	32 μF × V / V <sub>OUT</sub> [V]
For smallest output capacitance (comp setting 1) SSC enabled	33 kΩ ... 15 kΩ	1.8 MHz (33 kΩ) ... 4 MHz (15 kΩ) according to 式 3	32 μF × V / V <sub>OUT</sub> [V]
For best transient response (larger output capacitance) (comp setting 2) SSC disabled	100 kΩ ... 45 kΩ	1.8 MHz (100 kΩ) ... 4 MHz (45 kΩ) according to 式 4	72 μF × V / V <sub>OUT</sub> [V]
For smallest output capacitance (comp setting 1) SSC disabled	Tied to GND	Internally fixed 2.25 MHz	32 μF × V / V <sub>OUT</sub> [V]
For best transient response (larger output capacitance) (comp setting 2) SSC enabled	Tied to V <sub>IN</sub>	Internally fixed 2.25 MHz	72 μF × V / V <sub>OUT</sub> [V]

The minimum output capacitance required for stability depends on the output voltage as stated in 表 7-1. Refer to [Output Capacitor](#) for further details on the output capacitance required depending on the output voltage.

A too-high resistor value for R<sub>CF</sub> is decoded as "tied to V<sub>IN</sub>" and a value below the lowest range is decoded as "tied to GND". The minimum output capacitance in 表 7-1 is for capacitors close to the output of the device. If the capacitance is distributed, a lower compensation setting can be required.

### 7.3.4 MODE/SYNC

When MODE/SYNC is set low, the device operates in PWM or PFM mode, depending on the output current. The MODE/SYNC pin forces PWM mode when set high. The pin also allows you to apply an external clock in a frequency range from 1.8 MHz to 4 MHz for external synchronization. When an external clock is applied, the device only operates in PWM mode. As with the switching frequency selection, the specification for the minimum on-time has to be observed when applying the external clock signal. When using external synchronization, TI recommends to set the switching frequency (as set by R<sub>CF</sub>) to a similar value as the externally applied clock. This action makes sure that, if the external clock fails, the switching frequency stays in the same range and the settling time to the internal clock is reduced. When there is no resistor from COMP/FSET to GND, but the pin is pulled high or low, external synchronization is not possible. An internal PLL allows you to change from an internal clock to external clock during operation. The synchronization to the external clock is done on the falling edge of the applied clock to the rising edge of the internal SW pin (see [Synchronizing to an External Clock](#)). The MODE/SYNC pin can be changed during operation.

### 7.3.5 Spread Spectrum Clocking (SSC)

The device offers spread spectrum clocking as an option, set by the COMP/FSET pin. When SSC is enabled, the switching frequency is randomly changed in PWM mode when the internal clock is used. The frequency variation is typically between the nominal switching frequency and up to 288 kHz above the nominal switching frequency. When the device is externally synchronized, the TPSM8281x follows the external clock and the internal spread spectrum block is turned off. SSC is also disabled during soft start.

### 7.3.6 Undervoltage Lockout (UVLO)

If the input voltage drops, the undervoltage lockout prevents mis-operation of the device by switching off both the MOSFETs. The device is fully operational for voltages above the rising UVLO threshold and turns off if the input voltage goes below the falling threshold.

### 7.3.7 Power-Good Output (PG)

The device has a power-good output with window comparator. The PG pin goes high impedance after the FB pin voltage is above 95% and less than 107% of the nominal voltage, and is driven low after the voltage falls below 90% or rises higher than 110% of the nominal voltage (typical). 表 7-2 shows the typical PG pin logic. The PG pin is an open-drain output and is specified to sink up to 2 mA. The power good output requires a pullup resistor connected to any voltage rail less than VIN. The PG signal can be used for sequencing of multiple rails by connecting to the EN pin of other converters. If not used, the PG pin can be left floating or connected to GND.

表 7-2. Power-Good Pin Logic

DEVICE STATE		PG LOGIC STATUS	
		HIGH IMPEDANCE	LOW
Enabled (EN = High)	$0.95 \times V_{FB\_NOM} \leq V_{FB} \leq 1.07 \times V_{FB\_NOM}$	√	
	$V_{FB} < 0.9 \times V_{FB\_NOM}$ or $V_{FB} > 1.1 \times V_{FB\_NOM}$		√
Shutdown (EN = Low)			√
UVLO	$2 V \leq V_{IN} < V_{UVLO}$		√
Thermal Shutdown	$T_J > T_{JSD}$		√
Power Supply Removal	$V_{IN} < 2 V$	undefined	

The PG pin has a 40-μs deglitch time on the falling edge. See 図 7-1.

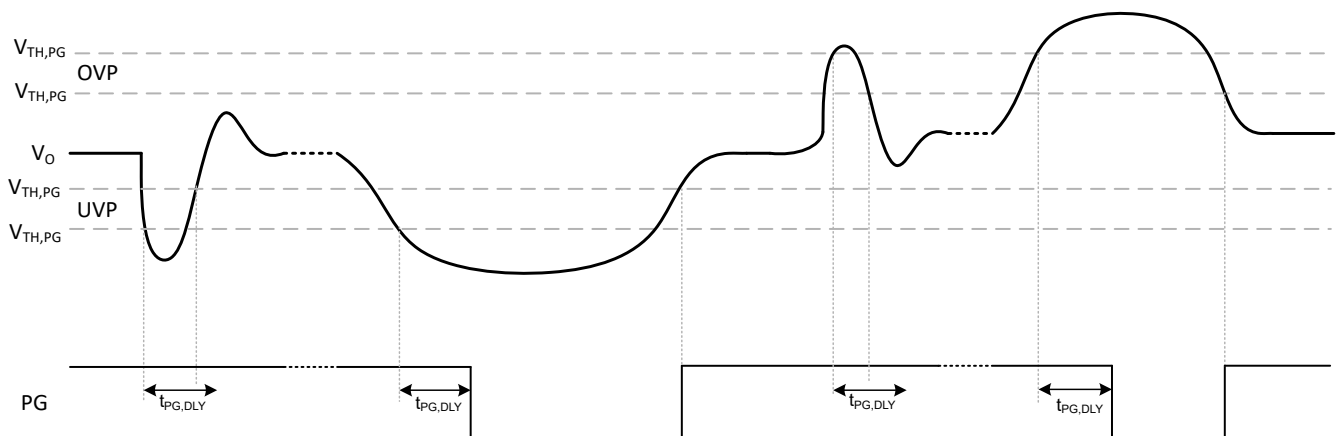


図 7-1. Power-Good Transient and Delay Behavior

### 7.3.8 Thermal Shutdown

The junction temperature ( $T_J$ ) of the device is monitored by an internal temperature sensor. If  $T_J$  exceeds 180°C (typical), the device goes into thermal shutdown. Both the high-side and low-side power FETs are turned off and

PG goes low. When  $T_J$  decreases below the hysteresis amount of typically 15°C, the converter resumes normal operation, beginning with soft start. During PFM the thermal shutdown is not active.

## 7.4 Device Functional Modes

### 7.4.1 Pulse Width Modulation (PWM) Operation

The TPSM8281x have two operating modes: Forced PWM mode (FPWM) and Power Save Mode (PSM).

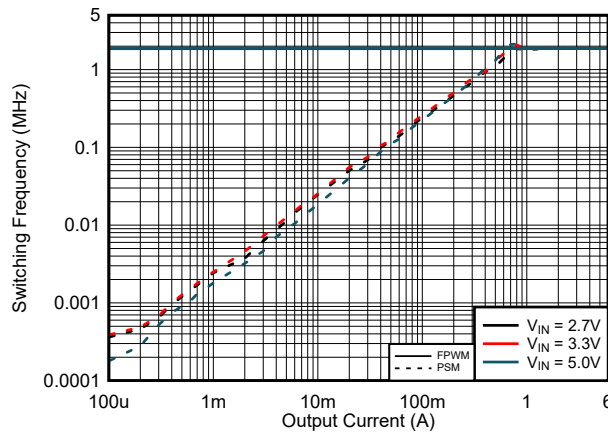
With the MODE/SYNC pin set to high, the TPSM8281x operates with pulse width modulation (PWM) in continuous conduction mode (CCM). The switching frequency is either defined by a resistor from the COMP/FSET pin to GND or by an external clock signal applied to the MODE/SYNC pin.

With the MODE/SYNC pin set to low, the TPSM8281x operates with pulse frequency modulation (PFM) during light load and automatically transitions into PWM as the load current increases.

### 7.4.2 Power Save Mode Operation (PSM)

When the MODE/SYNC pin is low, power save mode is allowed. The device operates in PWM mode as long as the peak inductor current is above the PFM threshold of about 1.8 A. When the peak inductor current drops below the PFM threshold, the device starts to skip switching pulses. The frequency set with the resistor on COMP/FSET must be in a range of 1.8 MHz to 3.5 MHz.

In power save mode, the switching frequency decreases linearly with the load current to maintain high efficiency. The linear behavior of the switching frequency in power save mode is shown in [Figure 7-2](#).



**Figure 7-2. Switching Frequency versus Output Current ( $V_{OUT} = 1.8\text{ V}$ ,  $R_{CF} = 10\text{ k}\Omega$ )**

### 7.4.3 100% Duty-Cycle Operation

The device offers a low input-to-output voltage differential by entering 100% duty cycle mode. When the minimum off-time of typically 15 ns is reached, the TPSM8281x skips switching cycles while approaching 100% mode. In 100% mode, the high-side MOSFET switch is constantly turned on. The minimum input voltage to maintain a minimum output voltage is given by:

$$V_{IN(\min)} = V_{OUT(\min)} + I_{OUT} \times R_{DP} \quad (5)$$

where:

- $R_{DP}$  is the resistance from  $V_{IN}$  to  $V_{OUT}$ , which includes the high-side MOSFET on-resistance and DC resistance of the inductor
- $V_{OUT(\min)}$  is the minimum output voltage the load can accept

This operation mode is particularly useful in battery-powered applications to achieve longest operation time by taking full advantage of the whole battery voltage range.

#### 7.4.4 Current Limit and Short-Circuit Protection

The TPSM8281x is protected against overload and short circuit events. If the inductor current exceeds the current limit  $I_{LIMH}$ , the high-side MOSFET is turned off and the low-side MOSFET is turned on to ramp down the inductor current. The high-side MOSFET turns on again only if the current in the low-side MOSFET has decreased below the low-side current limit. Due to internal propagation delays, the actual current can exceed the static current limit. The dynamic current limit is given as:

$$I_{peak}(typ) = I_{LIMH} + \frac{V_L}{L} \times t_{PD} \quad (6)$$

where

- $I_{LIMH}$  is the static current limit, as specified in the electrical characteristics
- $L$  is the effective inductance
  - SIE: typically 220 nH
  - VCA (MagPack): typically 200 nH
- $V_L$  is the voltage across the inductor ( $V_{IN} - V_{OUT}$ )
- $t_{PD}$  is the internal propagation delay of typically 50 ns

The dynamic peak current is calculated as follows:

$$I_{peak}(typ) = I_{LIMH} + \frac{V_{IN} - V_{OUT}}{L} \times 50 \text{ ns} \quad (7)$$

The low-side MOSFET also contains a negative current limit to prevent excessive current from flowing back through the inductor to the input. If the low-side sinking current limit is exceeded, the low-side MOSFET is turned off. In this scenario, both MOSFETs are off until the start of the next cycle. The negative current limit is only active in Forced PWM mode.

#### 7.4.5 Soft Start / Tracking (SS/TR)

The soft-start circuitry controls the output voltage slope during start-up. This action avoids excessive inrush current and makes sure of a controlled output voltage rise time. This action also prevents unwanted voltage drops from high impedance power sources or batteries. When EN is set high, the device starts switching after a delay of about 270  $\mu$ s. Then  $V_{OUT}$  rises with a slope controlled by an external capacitor connected to the SS/TR pin.

A capacitor connected from SS/TR to GND is charged with 10  $\mu$ A by an internal current source during soft start until it reaches the reference voltage of 0.6 V. After reaching 0.6 V, the SS/TR pin voltage is clamped internally while the SS/TR pin voltage keeps rising to a maximum of about 3.3 V. The capacitance required to set a certain ramp-time ( $t_{ramp}$ ) is:

$$C_{SS}[nF] = \frac{10\mu A \times t_{ramp}[ms]}{0.6 V} \quad (8)$$

Leaving the SS/TR pin disconnected provides the fastest start-up ramp of 150  $\mu$ s typically. If the device is set to shutdown (EN = GND), undervoltage lockout, or thermal shutdown, an internal resistor of about 1.1 k $\Omega$  pulls the SS/TR pin to GND to make sure of a proper low level. Returning from those states causes a new start-up sequence.

A voltage applied at the SS/TR pin can also be used to track a controller voltage. The output voltage follows this voltage in both directions up and down in forced PWM mode. In PSM mode, the output voltage decreases based on the load current. An external voltage applied on SS/TR is internally clamped to the feedback voltage (0.6 V). TI recommends to set the final value of the external voltage on SS/TR to be slightly above 0.6 V to make sure the device operates with the internal reference voltage when the power-up sequencing is finished. See [Voltage Tracking](#).



## 8 Application and Implementation

### 注

以下のアプリケーション情報は、TI の製品仕様に含まれるものではなく、TI ではその正確性または完全性を保証いたしません。個々の目的に対する製品の適合性については、お客様の責任で判断していただくこととなります。お客様は自身の設計実装を検証しテストすることで、システムの機能を確認する必要があります。

### 8.1 Application Information

The TPSM8281x are synchronous step-down converter power modules. The power inductor is integrated inside the module. The SIE package variant has a shielded inductor with an inductance of 220 nH  $\pm$ 20%.

The VCA MagPack package not only has a 200nH shielded Inductor but also shields the IC for a better EMI performance. With its smaller package size, it also offers a higher power density compared to the SIE package. The 4A and 6A versions in the VCA package give the same efficiency and performance and are different only in their rated output current. The efficiency of the VCA package is up to 4% higher than the SIE package.

The TPSM82813SIL (3A), TPSM82810SIL (4A), and TPSM82816SIE (6A) are pin-to-pin compatible with each other. The TPSM82811PVCA (1A), TPSM82812PVCA (2A), TPSM82813PVCA (3A), TPSM82814PVCA (4A), and TPSM82816PVCA (6A) are also pin-to-pin compatible with each other.

### 8.2 Typical Application

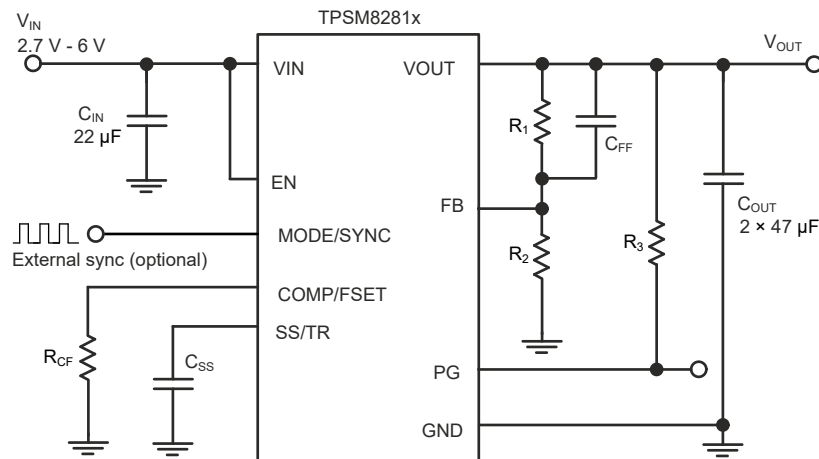


図 8-1. Typical Application Schematic

#### 8.2.1 Design Requirements

The design guidelines provide a component selection to operate the device within the recommended operating conditions.

表 8-1. List of Components

REFERENCE	DESCRIPTION	MANUFACTURER <sup>(1)</sup>
IC	TPSM82816	Texas Instruments
C <sub>IN</sub>	22 µF / X7R / 6.3 V; GRM21BZ1AJ226ME15L	Murata
C <sub>OUT</sub> for V <sub>OUT</sub> < 1 V	3 × 47 µF / X6S / 6.3 V; GRM21BC80J476ME01L	Murata
C <sub>OUT</sub> for V <sub>OUT</sub> ≥ 1 V	2 × 47 µF / X6S / 6.3 V; GRM21BC80J476ME01L	Murata
C <sub>SS</sub>	4.7 nF	Any
R <sub>CF</sub>	10 kΩ	Any
C <sub>FF</sub>	10 pF	Any

表 8-1. List of Components (続き)

REFERENCE	DESCRIPTION	MANUFACTURER <sup>(1)</sup>
R <sub>1</sub>	Depending on V <sub>OUT</sub>	Any
R <sub>2</sub>	Depending on V <sub>OUT</sub>	Any
R <sub>3</sub>	100 kΩ	Any

(1) See the [Third-party Products Disclaimer](#).

## 8.2.2 Detailed Design Procedure

### 8.2.2.1 Setting the Output Voltage

The output voltage of the TPSM8281x is adjustable. Choose resistors R<sub>1</sub> and R<sub>2</sub> to set the output voltage within a range of 0.6 V to 5.5 V according to 式 9. To keep the feedback (FB) net robust from noise, set R<sub>2</sub> equal to or lower than 100 kΩ to have at least 6 μA of current in the voltage divider. Lower values of FB resistors achieve better noise immunity, and lower light load efficiency, as explained in the [Design Considerations for a Resistive Feedback Divider in a DC/DC Converter](#) analog design journal.

$$R_1 = R_2 \times \left( \frac{V_{OUT}}{V_{FB}} - 1 \right) = R_2 \times \left( \frac{V_{OUT}}{0.6V} - 1 \right) \quad (9)$$

表 8-2. Examples for setting the Output Voltage

NOMINAL OUTPUT VOLTAGE V <sub>OUT</sub>	R <sub>1</sub>	R <sub>2</sub>	Max C <sub>FF</sub> at min C <sub>out</sub>	OUTPUT VOLTAGE
0.8 V	16.9 kΩ	51 kΩ	15 pF	0.7988 V
1.0 V	20 kΩ	30 kΩ	13 pF	1.0 V
1.1 V	39.2 kΩ	47 kΩ	6.8 pF	1.101 V
1.2 V	68 kΩ	68 kΩ	3.9 pF	1.2 V
1.5 V	76.8 kΩ	51 kΩ	3.3 pF	1.5 V
1.8 V	80.6 kΩ	40.2 kΩ	3.3 pF	1.803 V
2.5 V	47.5 kΩ	15 kΩ	5.6 pF	2.5 V
3.3 V	88.7 kΩ	19.6 kΩ	3 pF	3.315 V

### 8.2.2.2 Feedforward Capacitor

A feedforward capacitor (C<sub>FF</sub>) is required in parallel with R<sub>1</sub> to improve the transient response. The maximum value for the feedforward capacitor C<sub>FF</sub> at the minimum output capacitance is determined by 式 10:

$$C_{ff, max} [nF] = \frac{266.1 nF \times \Omega}{R_1} \quad (10)$$

For examples of feedforward capacitor values for common output voltages when using the minimum required output capacitance, refer to 表 8-2.

To improve the load transient performance, more output capacitance can be added. Increasing the C<sub>FF</sub> above values given by 式 10 can also improve the response with larger C<sub>OUT</sub>. The converter's loop response must be evaluated either through a simple load step or by a phase margin measurement. For details, please refer to: [AN-1733 Load Transient Testing Simplified application note](#).

### 8.2.2.3 Input Capacitor

For most applications, TI recommends a 22-μF nominal ceramic capacitor. The input capacitor buffers the input voltage for transient events and also decouples the converter from the supply. A X7R or X7T multilayer ceramic capacitor (MLCC) is recommended for best filtering and must be placed between VIN and GND as close as possible to those pins. For applications with ambient temperatures below 85°C, a capacitor with X5R dielectric

can be used. Ceramic capacitors have a DC-Bias effect, which has a strong influence on the final effective capacitance. Choose the right capacitor carefully in combination with considering the package size and voltage rating. The minimum required input capacitance is 5  $\mu\text{F}$ .

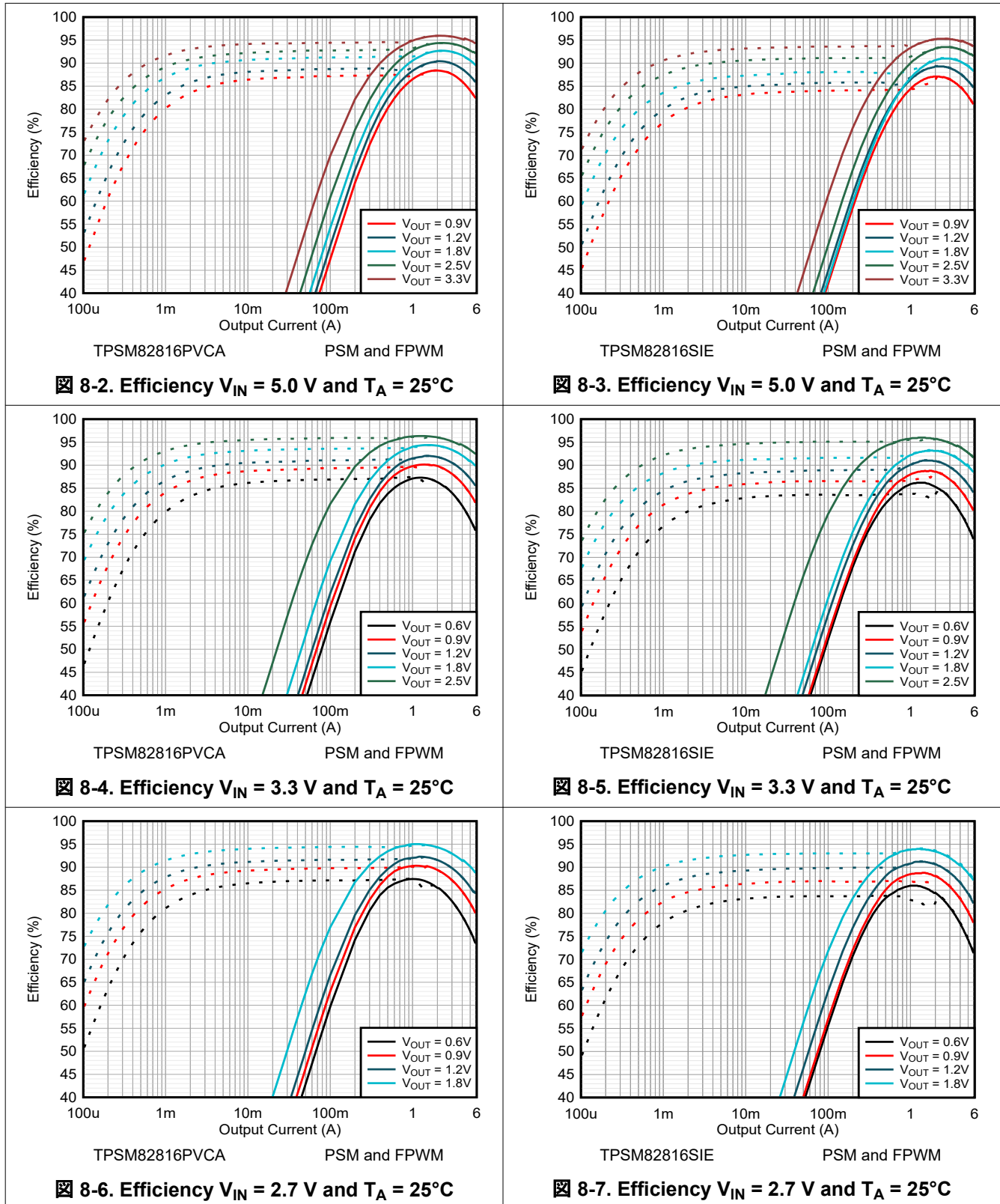
#### 8.2.2.4 Output Capacitor

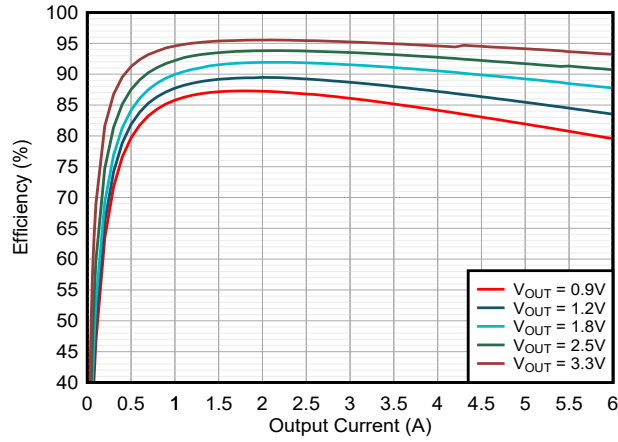
The architecture of the TPSM8281x allows the use of ceramic output capacitors which have low equivalent series resistance (ESR). These capacitors provide low output voltage ripple and are recommended. To keep the low resistance up to high frequencies and to get a narrow capacitance variation with temperature, TI recommends to use an X7R or X7T dielectric. At temperatures below 85°C, an X5R dielectric can be used.

Using a higher capacitance value has advantages like smaller voltage ripple and a tighter DC output accuracy in power save mode. By changing the device compensation with a resistor from COMP/FSET to GND, the device can be compensated in two steps based on the minimum capacitance used on the output. The maximum capacitance is 470  $\mu\text{F}$  in any of the compensation settings. The minimum capacitance required on the output depends on the compensation setting and output voltage as shown in [表 7-1](#). For output voltages below 1 V, the minimum required capacitance increases linearly from 32  $\mu\text{F}$  at 1 V to 53  $\mu\text{F}$  at 0.6 V with the compensation setting for smallest output capacitance. The other compensation setting scales the same. Ceramic capacitors have a DC-Bias effect, which has a strong influence on the final effective capacitance. Choose the right capacitor carefully in combination with considering the package size and voltage rating.

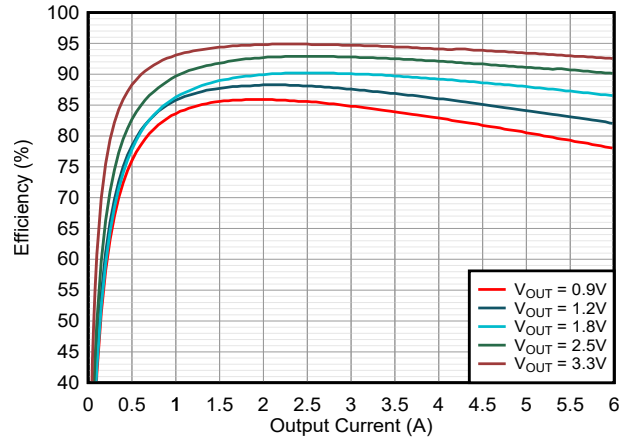
### 8.2.3 Application Curves

$T_A = 25^\circ\text{C}$ ,  $V_{IN} = 5\text{ V}$ ,  $V_{OUT} = 1.8\text{ V}$ , 1.8 MHz, PWM mode, BOM = 表 8-1 unless otherwise noted.

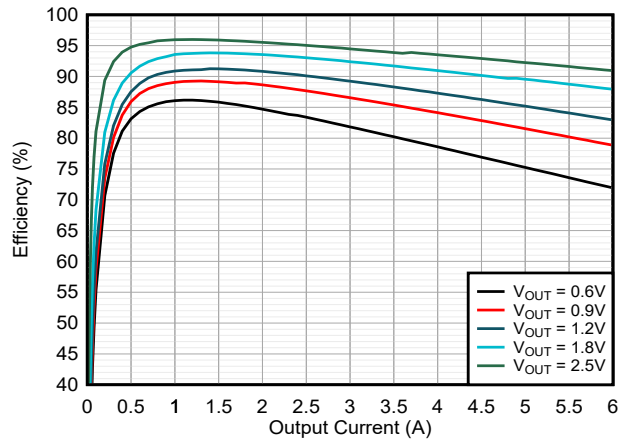




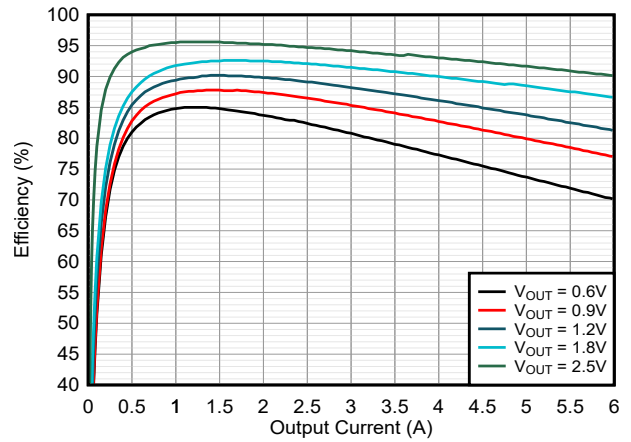
**8-8. Efficiency  $V_{IN} = 5.0\text{ V}$  and  $T_A = 85^\circ\text{C}$**



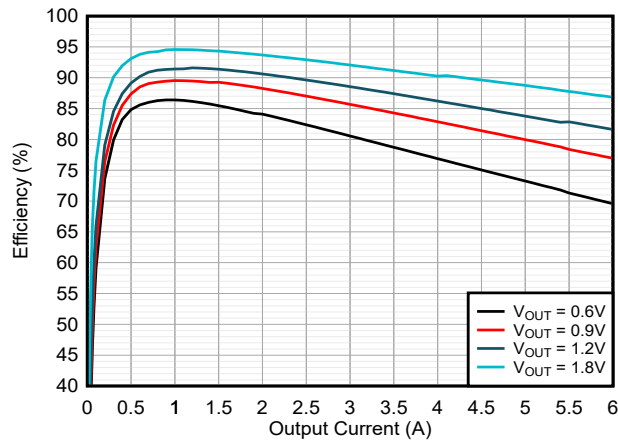
**8-9. Efficiency  $V_{IN} = 5.0\text{ V}$  and  $T_A = 85^\circ\text{C}$**



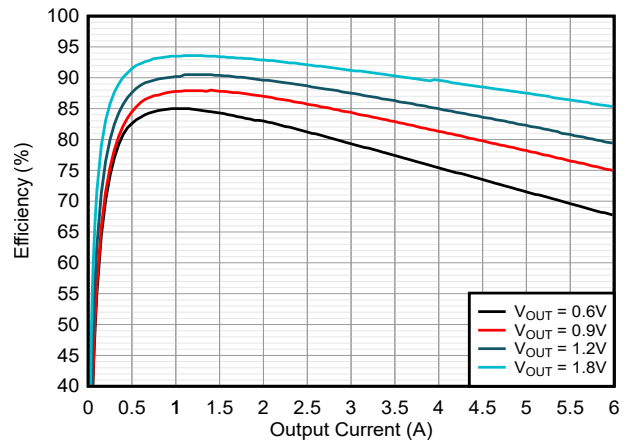
**8-10. Efficiency  $V_{IN} = 3.3\text{ V}$  and  $T_A = 85^\circ\text{C}$**



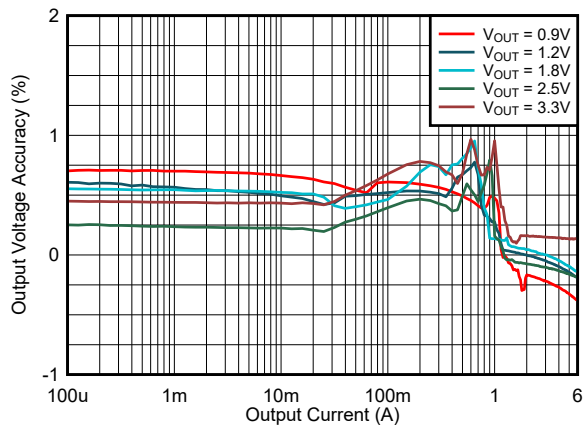
**8-11. Efficiency  $V_{IN} = 3.3\text{ V}$  and  $T_A = 85^\circ\text{C}$**



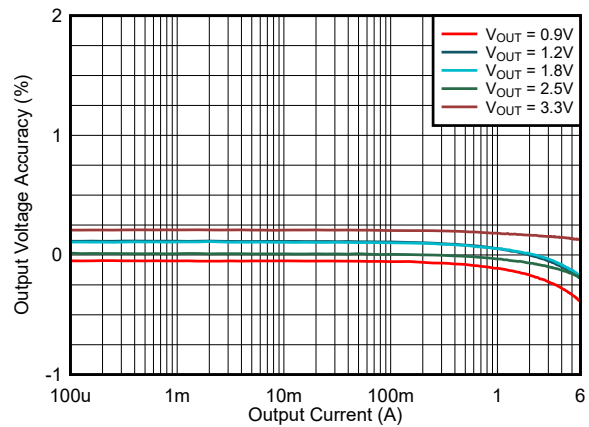
**8-12. Efficiency  $V_{IN} = 2.7\text{ V}$  and  $T_A = 85^\circ\text{C}$**



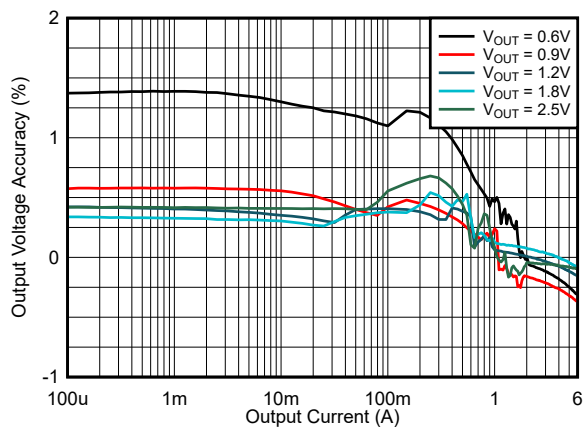
**8-13. Efficiency  $V_{IN} = 2.7\text{ V}$  and  $T_A = 85^\circ\text{C}$**



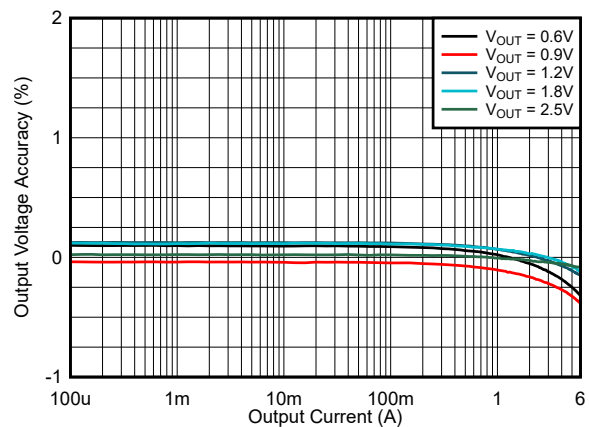
8-14. Load Regulation  $V_{IN} = 5.0\text{ V}$  (PSM)



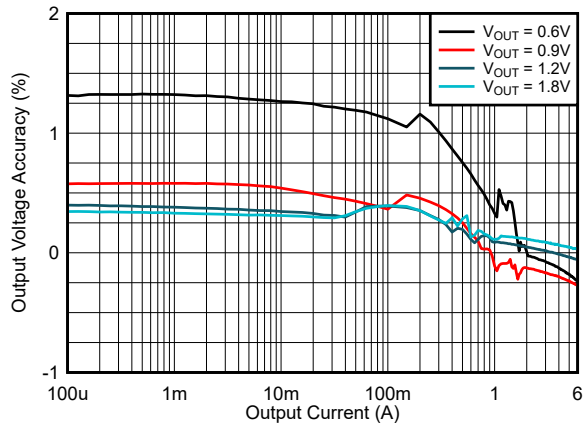
8-15. Load Regulation  $V_{IN} = 5.0\text{ V}$  (FPWM)



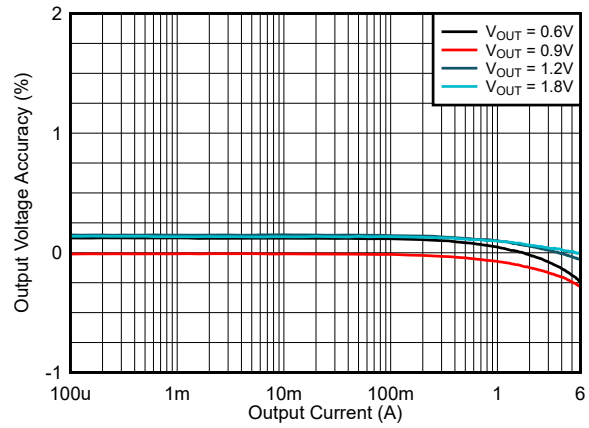
8-16. Load Regulation  $V_{IN} = 3.3\text{ V}$  (PSM)



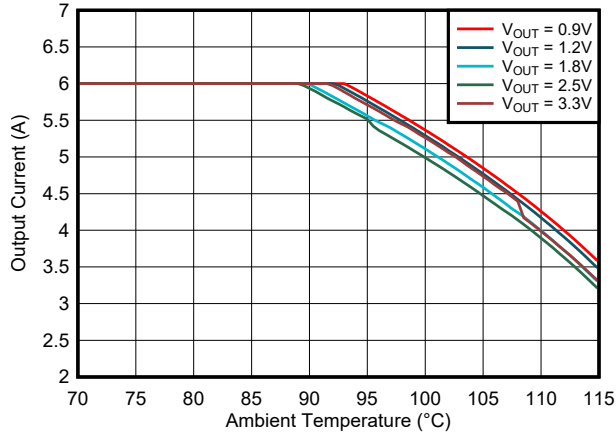
8-17. Load Regulation  $V_{IN} = 3.3\text{ V}$  (FPWM)



8-18. Load Regulation  $V_{IN} = 2.7\text{ V}$  (PSM)

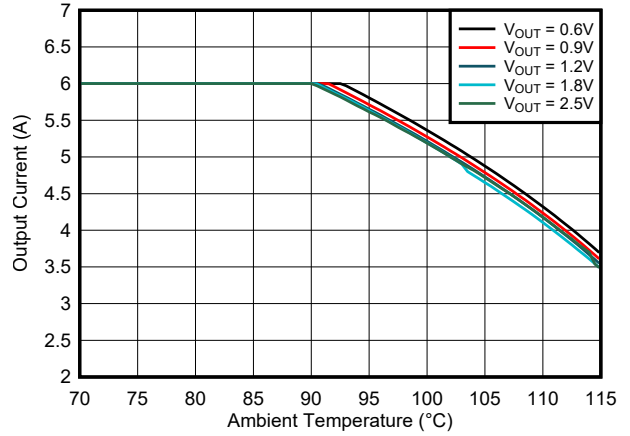


8-19. Load Regulation  $V_{IN} = 2.7\text{ V}$  (FPWM)



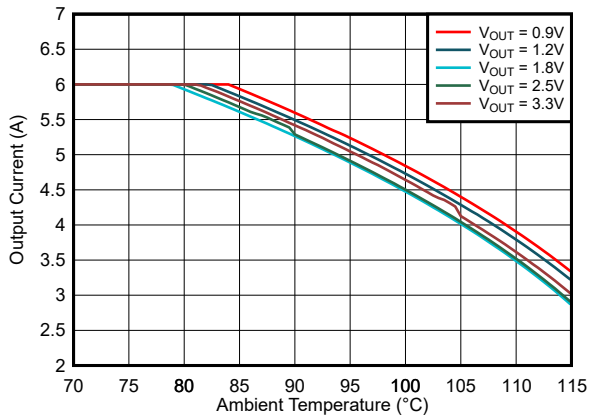
$R_{\theta JA} = 26.6^{\circ}\text{C/W}$     $f_{\text{SW}} = 1.8 \text{ MHz}$     $T_{\text{J,max}} = 125^{\circ}\text{C}$

**8-20. TPSM82816PVCA Safe Operating Area  $V_{\text{IN}} = 5.0 \text{ V}$**



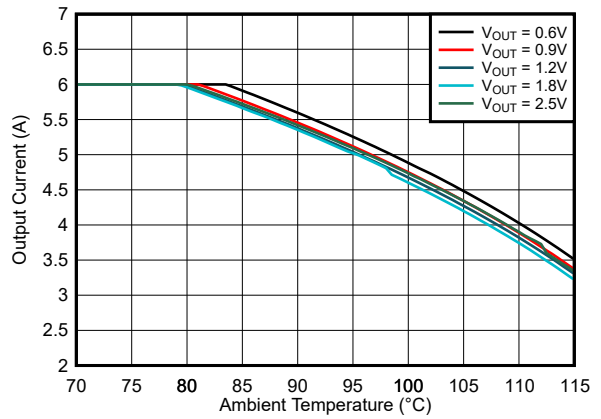
$R_{\theta JA} = 26.6^{\circ}\text{C/W}$     $f_{\text{SW}} = 1.8 \text{ MHz}$     $T_{\text{J,max}} = 125^{\circ}\text{C}$

**8-21. TPSM82816PVCA Safe Operating Area  $V_{\text{IN}} = 3.3 \text{ V}$**



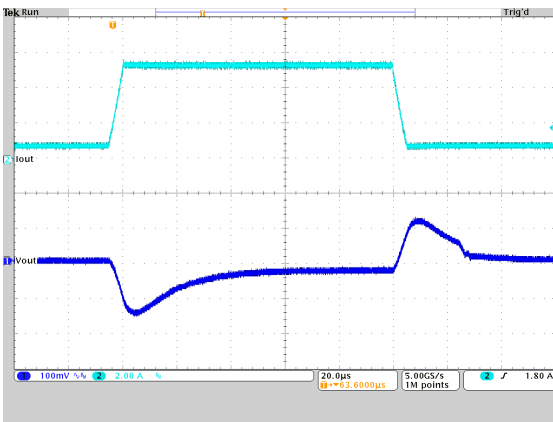
$R_{\theta JA} = 32.2^{\circ}\text{C/W}$     $f_{\text{SW}} = 1.8 \text{ MHz}$     $T_{\text{J,max}} = 125^{\circ}\text{C}$

**8-22. TPSM82816SIE Safe Operating Area  $V_{\text{IN}} = 5.0 \text{ V}$**



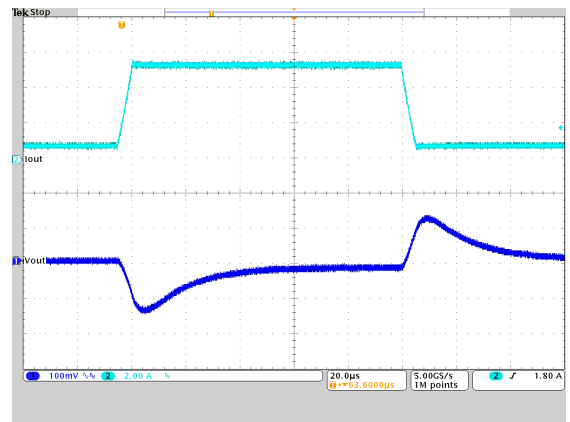
$R_{\theta JA} = 32.2^{\circ}\text{C/W}$     $f_{\text{SW}} = 1.8 \text{ MHz}$     $T_{\text{J,max}} = 125^{\circ}\text{C}$

**8-23. TPSM82816SIE Safe Operating Area  $V_{\text{IN}} = 3.3 \text{ V}$**



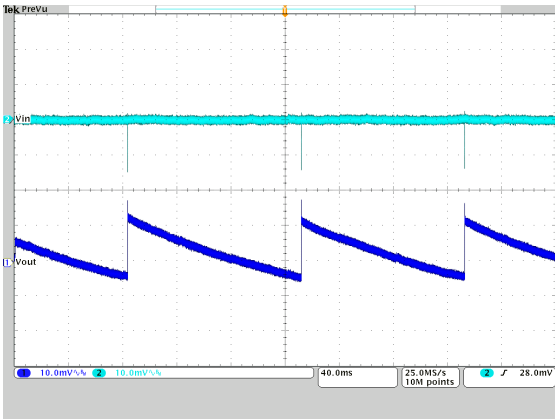
$V_{\text{OUT}} = 1.8 \text{ V}$    PSM    $T_{\text{A}} = 25^{\circ}\text{C}$   
 $V_{\text{IN}} = 5.0 \text{ V}$     $I_{\text{OUT}} = 0.6 \text{ A to } 5.4 \text{ A to } 0.6 \text{ A}$

**8-24. Load Transient Response**



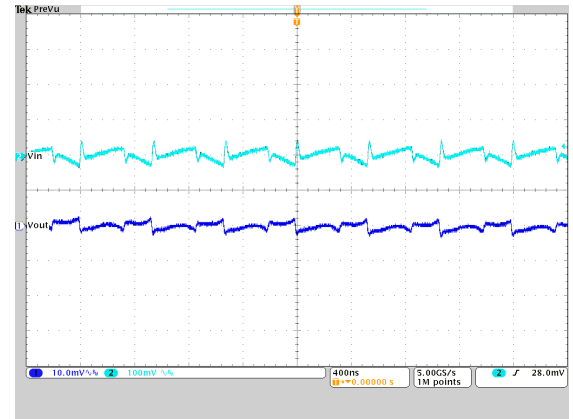
$V_{\text{OUT}} = 1.8 \text{ V}$    FPWM    $T_{\text{A}} = 25^{\circ}\text{C}$   
 $V_{\text{IN}} = 5.0 \text{ V}$     $I_{\text{OUT}} = 0.6 \text{ A to } 5.4 \text{ A to } 0.6 \text{ A}$

**8-25. Load Transient Response**



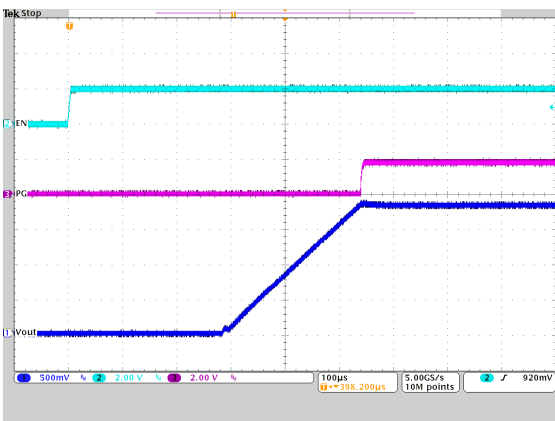
$V_{OUT} = 1.8\text{ V}$       PSM       $T_A = 25^\circ\text{C}$   
 $I_{OUT} = 0\text{ A}$        $V_{IN} = 5.0\text{ V}$       BW = 20 MHz

**図 8-26. Output and Input Voltage Ripple**



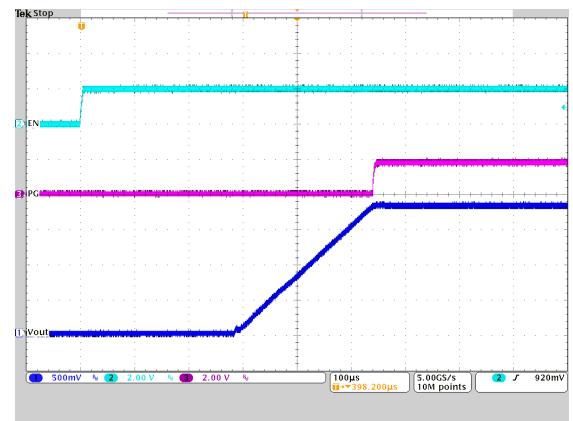
$V_{OUT} = 1.8\text{ V}$       PWM       $T_A = 25^\circ\text{C}$   
 $I_{OUT} = 4\text{ A}$        $V_{IN} = 5.0\text{ V}$       BW = 20 MHz

**図 8-27. Output and Input Voltage Ripple**



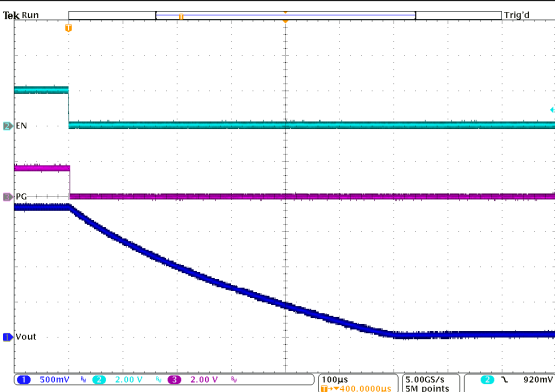
$V_{OUT} = 1.8\text{ V}$       PSM       $T_A = 25^\circ\text{C}$   
 $I_{OUT} = 0\text{ A}$        $V_{IN} = 5\text{ V}$        $C_{SS} = 4.7\text{ nF}$

**図 8-28. Start-Up Timing**



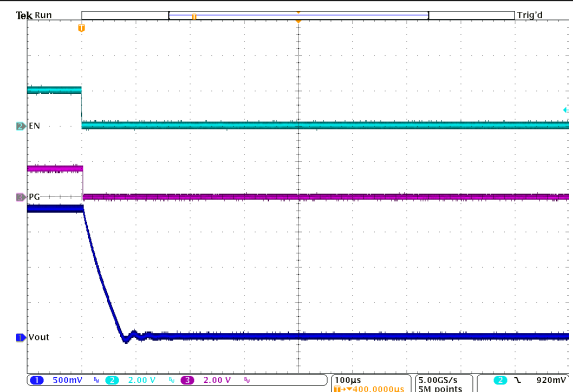
$V_{OUT} = 1.8\text{ V}$       FPWM       $T_A = 25^\circ\text{C}$   
 $I_{OUT} = 4\text{ A}$        $V_{IN} = 5\text{ V}$        $C_{SS} = 4.7\text{ nF}$

**図 8-29. Start-Up Timing**



$V_{OUT} = 1.8\text{ V}$       PSM       $T_A = 25^\circ\text{C}$   
 $I_{OUT} = 0.1\text{ A}$        $V_{IN} = 5\text{ V}$        $C_{SS} = 4.7\text{ nF}$

**図 8-30. Shut-Down Timing**



$V_{OUT} = 1.8\text{ V}$       FPWM       $T_A = 25^\circ\text{C}$   
 $I_{OUT} = 1\text{ A}$        $V_{IN} = 5\text{ V}$        $C_{SS} = 4.7\text{ nF}$

**図 8-31. Shut-Down Timing**



## 8.3 System Examples

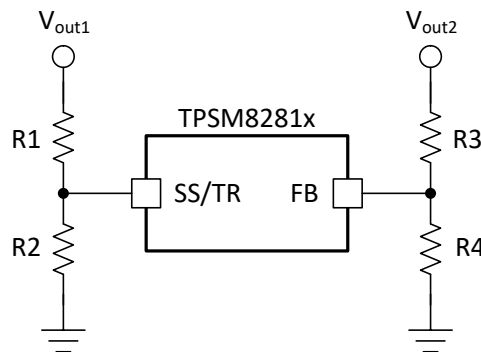
### 8.3.1 Voltage Tracking

The SS/TR pin is externally driven by another voltage source to achieve output voltage tracking. The application circuit is shown in [Figure 8-32](#). From 0 V to 0.6 V, the internal reference voltage to the internal error amplifier follows the SS/TR pin voltage. When the SS/TR pin voltage is above 0.6 V, the voltage tracking is disabled and the FB pin voltage is regulated at 0.6 V. The device achieves ratiometric, as shown in [Figure 8-33](#) or coincidental (simultaneous) output tracking, as shown in [Figure 8-34](#).

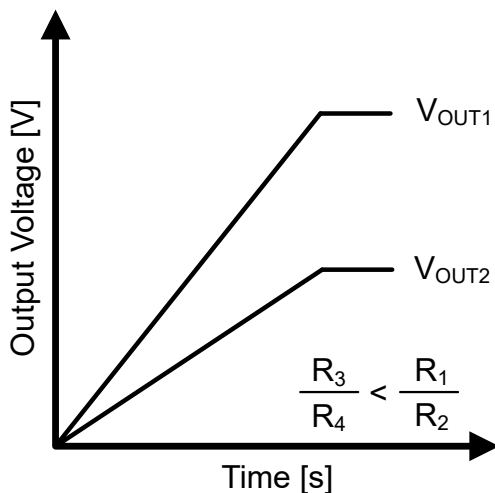
The  $R_2$  value must be set properly to achieve accurate voltage tracking by taking the 10- $\mu$ A charging current into account. 1 k $\Omega$  or smaller is a sufficient value for  $R_2$ . For decreasing SS/TR pin voltage, the device does not sink current from the output when the device is in PSM. The resulting decrease of the output voltage can be slower than the SS/TR pin voltage if the load is light.

In case both devices need to run in forced PWM mode after start-up, TI recommends to tie the MODE/SYNC pin of the secondary device to the output voltage or the power-good signal of the primary device. The TPSM8281x has a duty cycle limitation defined by the minimum on time, which can cause the secondary device to not track when the output voltage is very low. Delaying FPWM mode until the output voltage is higher operates the device in PSM mode, with improved tracking at very low output voltages

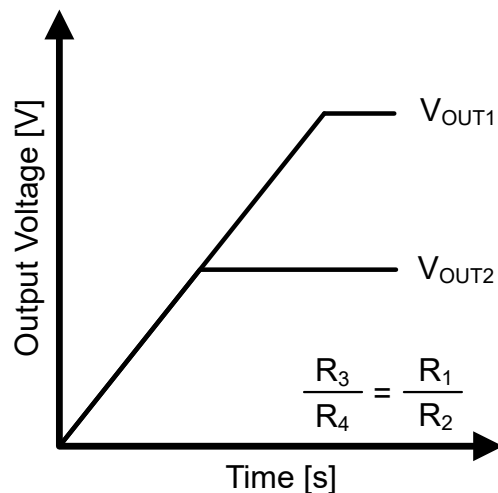
When driving the SS/TR pin with an external voltage, do not exceed the voltage rating of the SS/TR pin.



**Figure 8-32. Schematic for Output Voltage Tracking**



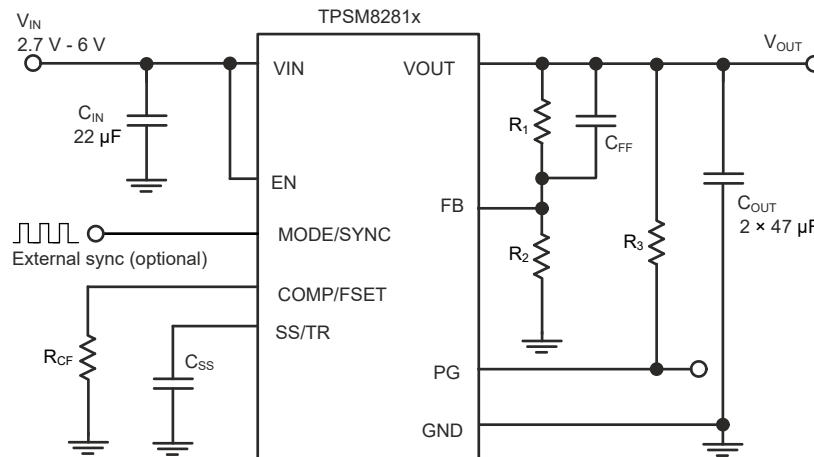
**Figure 8-33. Ratiometric Voltage Tracking**



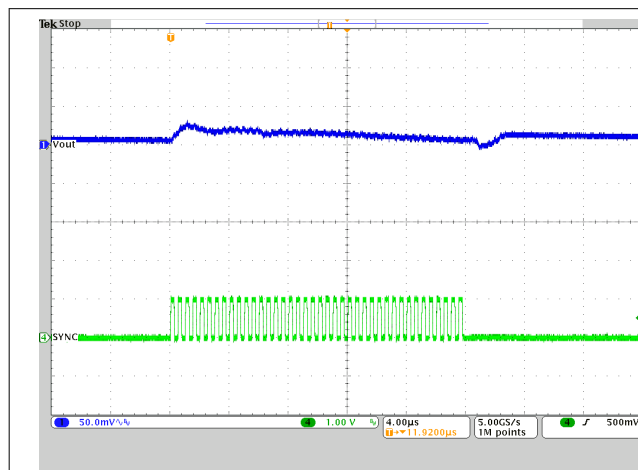
**Figure 8-34. Coincidental Voltage Tracking**

### 8.3.2 Synchronizing to an External Clock

The TPSM8281x can be synchronized by applying a clock on the MODE/SYNC pin. There is no need for any additional circuitry as long as the input signal meets the requirements given in the electrical specifications. See [Figure 8-35](#). The clock can be applied, changed, and removed during operation. TI recommends the value of the  $R_{CF}$  resistor be chosen such that the internally defined frequency and the externally-applied frequency are close to each other to have a fast settling time to the external clock. Synchronizing to a clock is not possible if the COMP/FSET pin is connected to  $V_{in}$  or GND. [Figure 8-36](#) and [Figure 8-37](#) show the external clock being applied and removed. When an external clock is applied, the device operates in PWM mode.

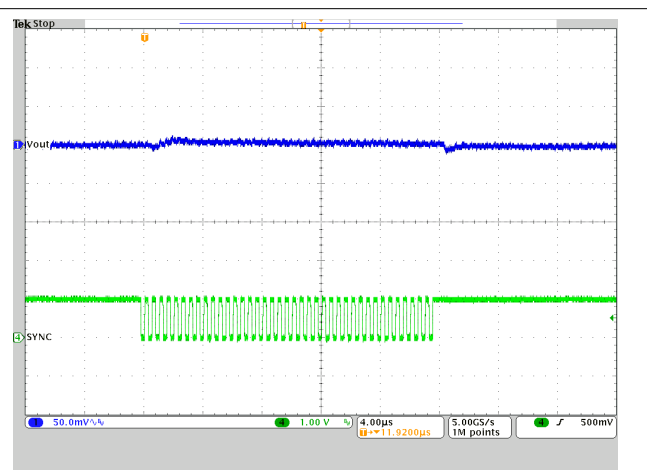


**Figure 8-35. Frequency Synchronization**



$V_{IN} = 5\text{ V}$        $R_{CF} = 10\text{ k}\Omega$        $I_{OUT} = 0.01\text{ A}$   
 $V_{OUT} = 1.8\text{ V}$        $f_{EXT} = 2.0\text{ MHz}$

**Figure 8-36. Applying and Removing the Synchronization Signal (PSM)**



$V_{IN} = 5\text{ V}$        $R_{CF} = 10\text{ k}\Omega$        $I_{OUT} = 1\text{ A}$   
 $V_{OUT} = 1.8\text{ V}$        $f_{EXT} = 2.0\text{ MHz}$

**Figure 8-37. Applying and Removing the Synchronization Signal (FPWM)**

## 8.4 Power Supply Recommendations

The TPSM8281x device family has no special requirements for the input power supply. The output current of the input power supply must be rated according to the supply voltage, output voltage, and output current of the TPSM8281x.

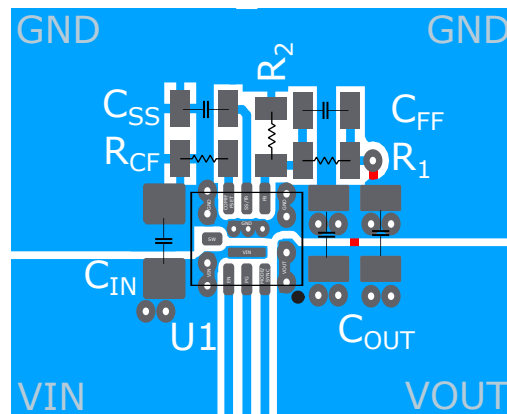
## 8.5 Layout

### 8.5.1 Layout Guidelines

A proper layout is critical for the operation of any switched mode power supply, especially at high switching frequencies. Therefore, the PCB layout of the TPSM8281x demands careful attention to make sure of best performance. A poor layout can lead to issues like bad line and load regulation, instability, increased EMI radiation, and noise sensitivity. Refer to the [Five Steps to a Great PCB Layout for a Step-Down Converter](#) analog design journal for a detailed discussion of general best practices. Specific recommendations for the device are listed below.

- Place the input capacitor as close as possible to the VIN and GND pins of the device. This placement is the most critical component placement. Route the input capacitor directly to the VIN and GND pins avoiding vias.
- Place the output capacitor ground close to the VOUT and GND pins and route directly avoiding vias.
- Place the FB resistors, R1 and R2, and the feedforward capacitor  $C_{FF}$  close to the FB pin and place  $C_{SS}$  close to the SS/TR pin to minimize noise pickup.
- Place the  $R_{CF}$  resistor close to the COMP/FSET pin to minimize the parasitic capacitance.
- Note that the recommended layout is implemented on the EVM and shown in the [TPSM8281xEVM-089 Evaluation Module](#) EVM user's guide, [MagPack™ Technology 3A/6A Power Module with Frequency Sync Evaluation Module](#) EVM user's guide, and in [Layout Example](#).
- Note that the recommended land pattern for the TPSM8281x is shown at the end of this data sheet. For best manufacturing results, create the pads as solder mask defined (SMD), when some pins (such as VIN, VOUT, and GND) are connected to large copper planes. Using SMD pads keeps each pad the same size and avoids solder pulling the device during reflow.

### 8.5.2 Layout Example



☒ 8-38. Example Layout VCA

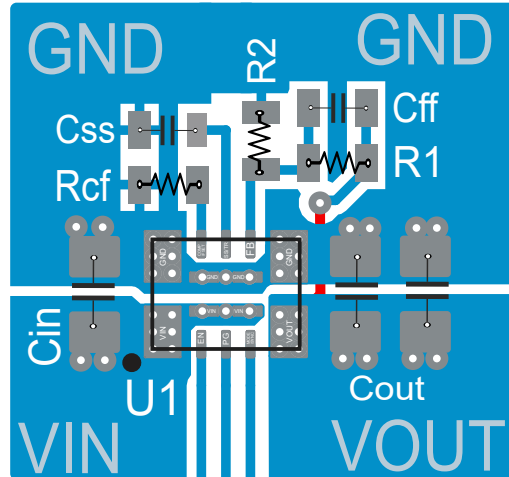


図 8-39. Example Layout SIE

### 8.5.2.1 Thermal Consideration

The TPSM8281x module temperature must be kept less than the maximum rating of 125°C. The following are three basic approaches for enhancing thermal performance:

- Improve the power dissipation capability of the PCB design
- Improve the thermal coupling of the component to the PCB
- Introduce airflow into the system

To estimate the approximate module temperature of the TPSM8281x, apply the typical efficiency stated in this data sheet to the desired application condition to compute the power dissipation of the module. Then, calculate the module temperature rise by multiplying the power dissipation by the thermal resistance. For more details on how to use the thermal parameters in real applications, see the application notes: [Thermal Characteristics of Linear and Logic Packages Using JEDEC PCB Designs](#) and [Semiconductor and IC Package Thermal Metrics](#).

The thermal values in [Thermal Information](#) used the recommended land pattern, shown at the end of this data sheet, including the vias as shown. The TPSM8281x was simulated on a PCB defined by JEDEC 51-7. For the SIE package, the vias on the GND pins were connected to copper on other PCB layers, while the remaining vias were not connected to other layers.

## 9 Device and Documentation Support

### 9.1 Device Support

#### 9.1.1 サード・パーティ製品に関する免責事項

サード・パーティ製品またはサービスに関するテキサス・インスツルメンツの出版物は、単独またはテキサス・インスツルメンツの製品、サービスと一緒に提供される場合に関係なく、サード・パーティ製品またはサービスの適合性に関する是認、サード・パーティ製品またはサービスの是認の表明を意味するものではありません。

### 9.2 Documentation Support

#### 9.2.1 Related Documentation

For related documentation see the following:

- Texas Instruments, [TPSM8281xEVM-089 Evaluation Module EVM user's guide](#)
- Texas Instruments, [MagPack™ Technology 3A/6A Power Module with Frequency Sync Evaluation Module EVM user's guide](#)
- Texas Instruments, [Achieving a Clean Start-up by Using a DC/DC Converter with a Precise Enable-pin analog design journal](#)
- Texas Instruments, [Design Considerations for a Resistive Feedback Divider in a DC/DC Converter analog design journal](#)
- Texas Instruments, [AN-1733 Load Transient Testing Simplified application report](#)
- Texas Instruments, [Five Steps to a Great PCB Layout for a Step-Down Converter analog design journal](#)
- Texas Instruments, [Thermal Characteristics of Linear and Logic Packages Using JEDEC PCB Designs application note](#)

### 9.3 ドキュメントの更新通知を受け取る方法

ドキュメントの更新についての通知を受け取るには、[www.tij.co.jp](http://www.tij.co.jp) のデバイス製品フォルダを開いてください。[通知] をクリックして登録すると、変更されたすべての製品情報に関するダイジェストを毎週受け取ることができます。変更の詳細については、改訂されたドキュメントに含まれている改訂履歴をご覧ください。

### 9.4 サポート・リソース

テキサス・インスツルメンツ E2E™ サポート・フォーラムは、エンジニアが検証済みの回答と設計に関するヒントをエキスパートから迅速かつ直接得ることができる場所です。既存の回答を検索したり、独自の質問をしたりすることで、設計に必要な支援を迅速に得ることができます。

リンクされているコンテンツは、各寄稿者により「現状のまま」提供されるものです。これらはテキサス・インスツルメンツの仕様を構成するものではなく、必ずしもテキサス・インスツルメンツの見解を反映したものではありません。テキサス・インスツルメンツの[使用条件](#)を参照してください。

### 9.5 Trademarks

MicroSiP™, and MagPack™, and テキサス・インスツルメンツ E2E™ are trademarks of Texas Instruments. すべての商標は、それぞれの所有者に帰属します。

### 9.6 静電気放電に関する注意事項



この IC は、ESD によって破損する可能性があります。テキサス・インスツルメンツは、IC を取り扱う際には常に適切な注意を払うことを推奨します。正しい取り扱いおよび設置手順に従わない場合、デバイスを破損するおそれがあります。

ESD による破損は、わずかな性能低下からデバイスの完全な故障まで多岐にわたります。精密な IC の場合、パラメータがわずかに変化するだけで公表されている仕様から外れる可能性があるため、破損が発生しやすくなっています。

### 9.7 用語集

#### テキサス・インスツルメンツ用語集

この用語集には、用語や略語の一覧および定義が記載されています。

## 10 Revision History

資料番号末尾の英字は改訂を表しています。その改訂履歴は英語版に準じています。

### Changes from Revision A (June 2024) to Revision B (December 2024) Page

- TPSM82816PVCAR を「事前情報」から「量産データ」に変更..... 1

### Changes from Revision \* (December 2022) to Revision A (June 2024) Page

- データシートに TPSM82814PVCAR (製品プレビュー) および TPSM82816PVCAR (事前情報) を追加..... 1

## 11 Mechanical, Packaging, and Orderable Information

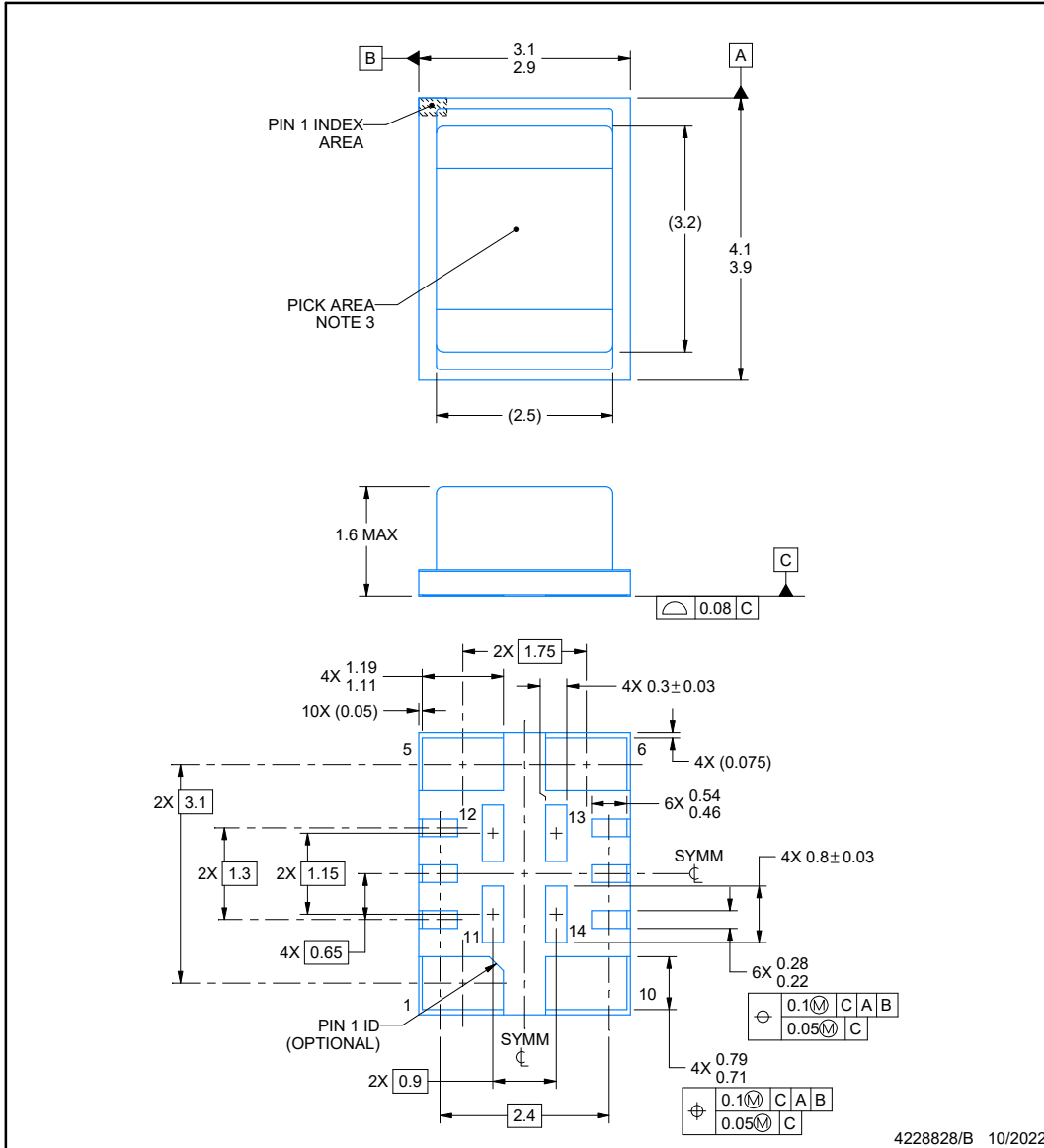
The following pages include mechanical, packaging, and orderable information. This information is the most current data available for the designated devices. This data is subject to change without notice and revision of this document. For browser-based versions of this data sheet, refer to the left-hand navigation.



**SIE0014A-C01**

**PACKAGE OUTLINE**  
**uSIP™ - 1.6 mm max height**

MICRO SYSTEM IN PACKAGE



4228828/B 10/2022

MicroSiP is a trademark of Texas Instruments

**NOTES:**

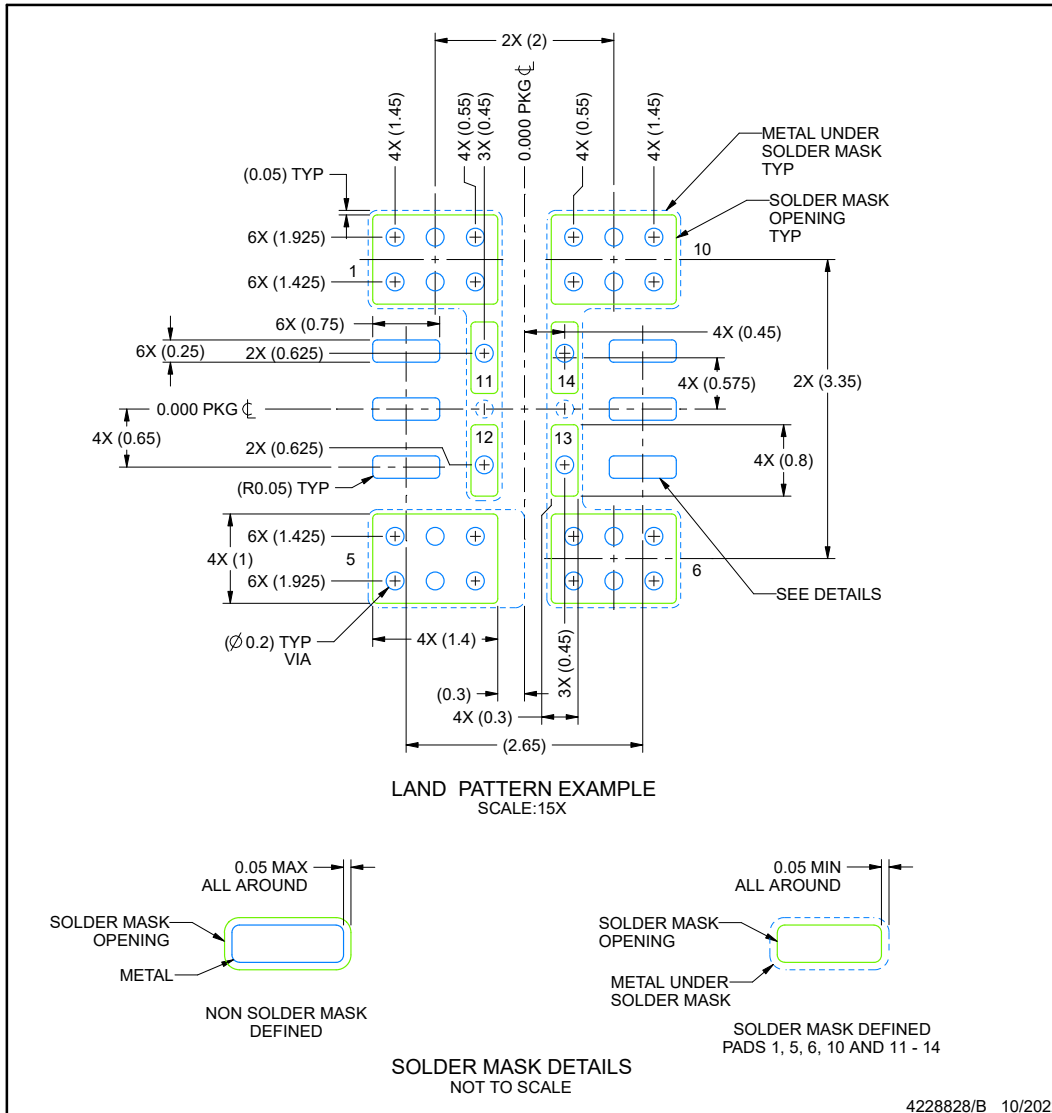
1. All linear dimensions are in millimeters. Any dimensions in parenthesis are for reference only. Dimensioning and tolerancing per ASME Y14.5M.
2. This drawing is subject to change without notice.
3. Pick and place nozzle  $\varnothing$  1.3 mm or smaller recommended.
4. The package thermal pads must be soldered to the printed circuit board for thermal and mechanical performance.

**EXAMPLE BOARD LAYOUT**

**SIE0014A-C01**

**uSIP™ - 1.6 mm max height**

MICRO SYSTEM IN PACKAGE



NOTES: (continued)

- This package is designed to be soldered to thermal pads on the board. For more information, see Texas Instruments literature number SLUA271 ([www.ti.com/lit/slua271](http://www.ti.com/lit/slua271)).
- Vias are optional depending on application, refer to device data sheet. If any vias are implemented, refer to their locations shown on this view. It is recommended that vias under paste be filled, plugged or tented.

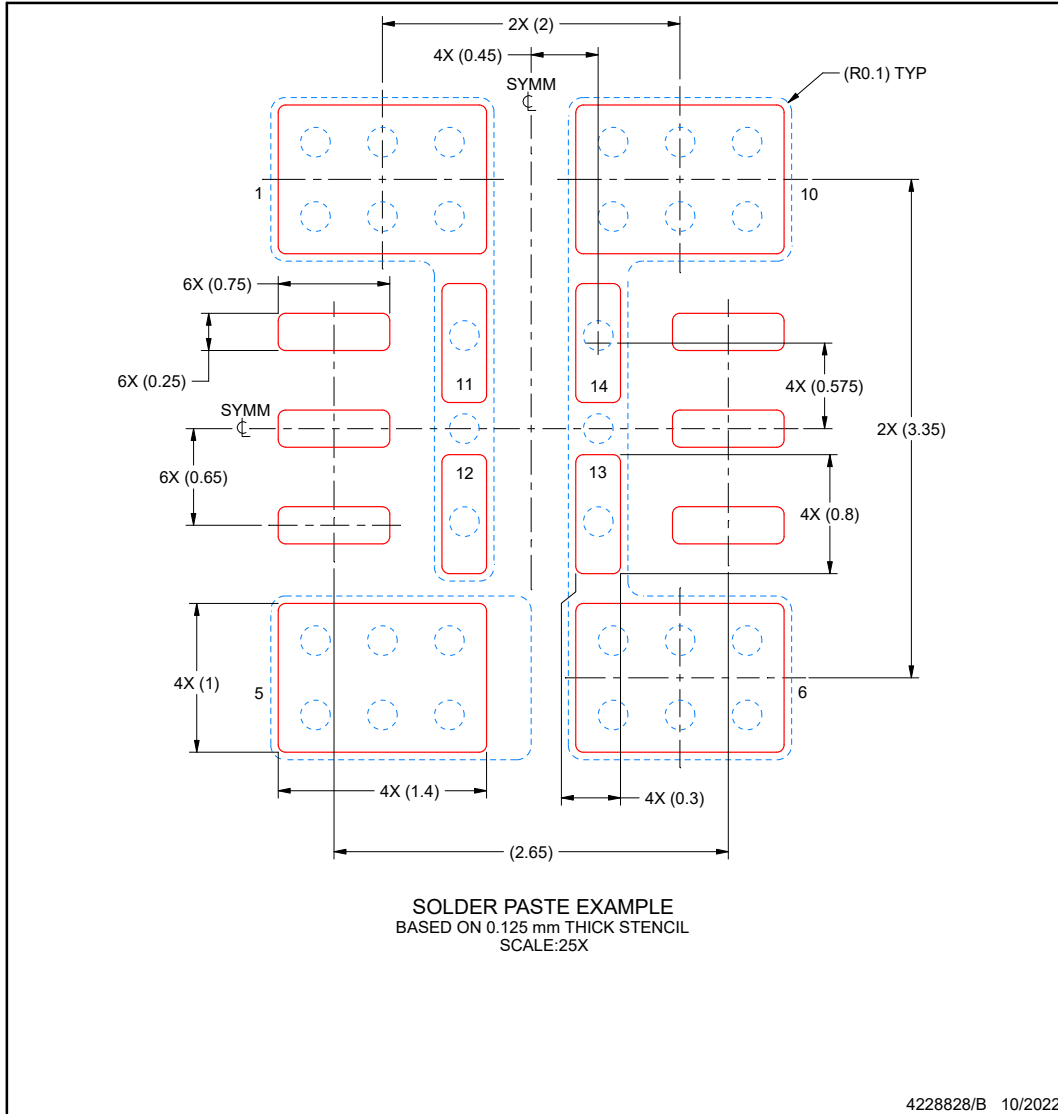


## EXAMPLE STENCIL DESIGN

**SIE0014A-C01**

**uSIP™ - 1.6 mm max height**

MICRO SYSTEM IN PACKAGE



NOTES: (continued)

7. Laser cutting apertures with trapezoidal walls and rounded corners may offer better paste release. IPC-7525 may have alternate design recommendations.

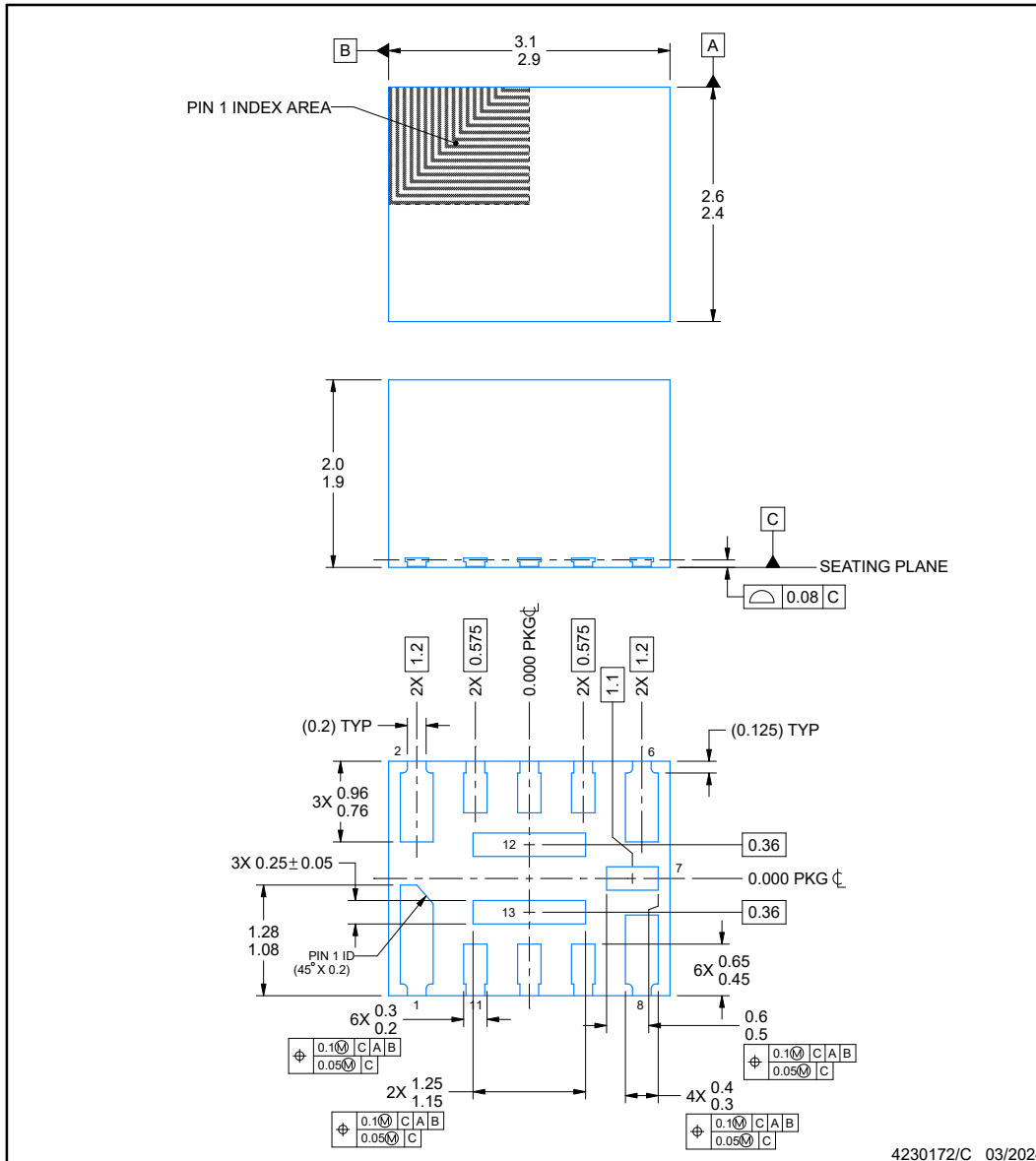


**VCA0013A**

**PACKAGE OUTLINE**

**QFN-FCMOD - 2 mm max height**

PLASTIC QUAD FLATPACK - NO LEAD



**NOTES:**

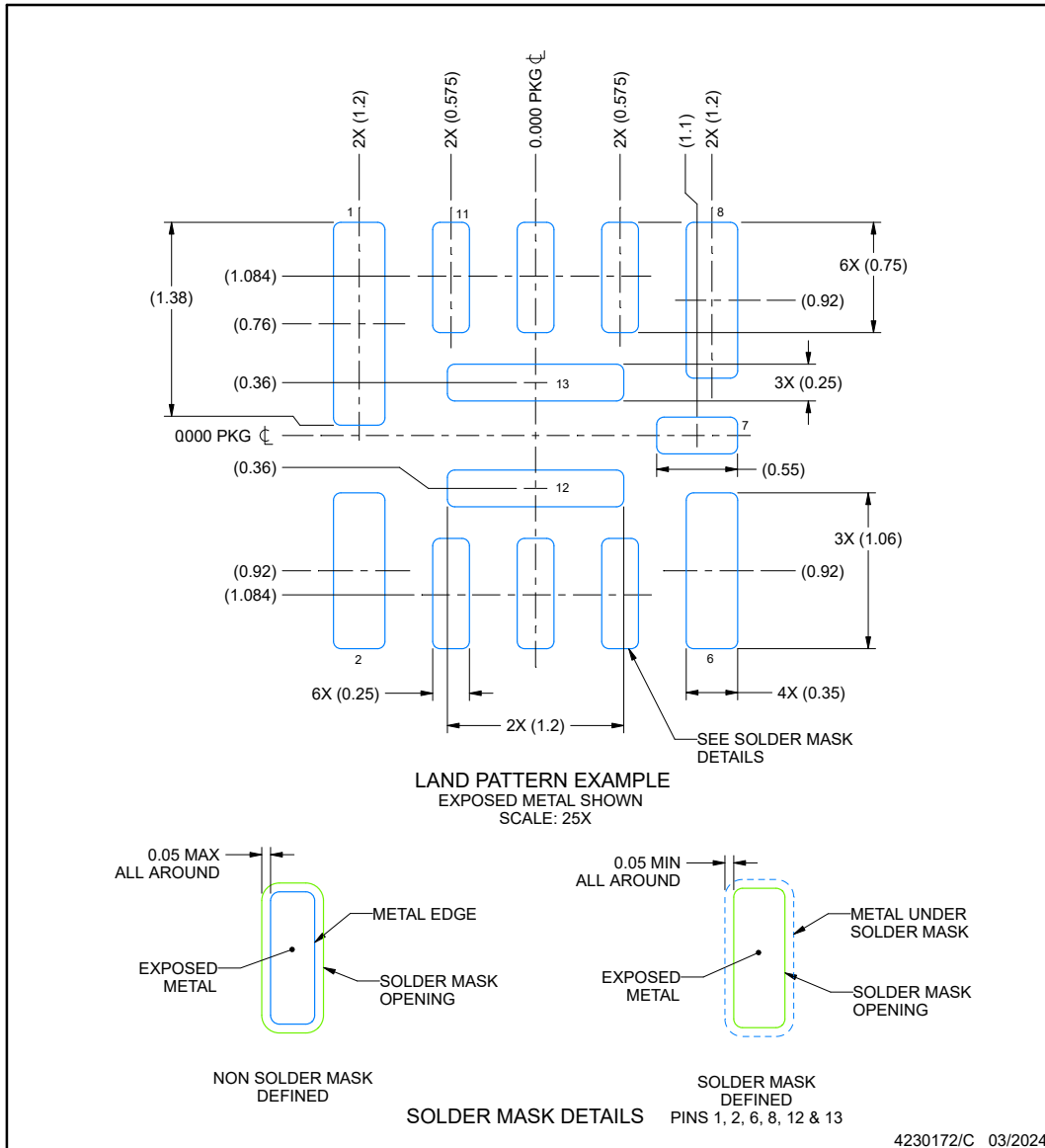
1. All linear dimensions are in millimeters. Any dimensions in parenthesis are for reference only. Dimensioning and tolerancing per ASME Y14.5M.
2. This drawing is subject to change without notice.

**EXAMPLE BOARD LAYOUT**

**VCA0013A**

**QFN-FCMOD - 2 mm max height**

PLASTIC QUAD FLATPACK - NO LEAD



NOTES: (continued)

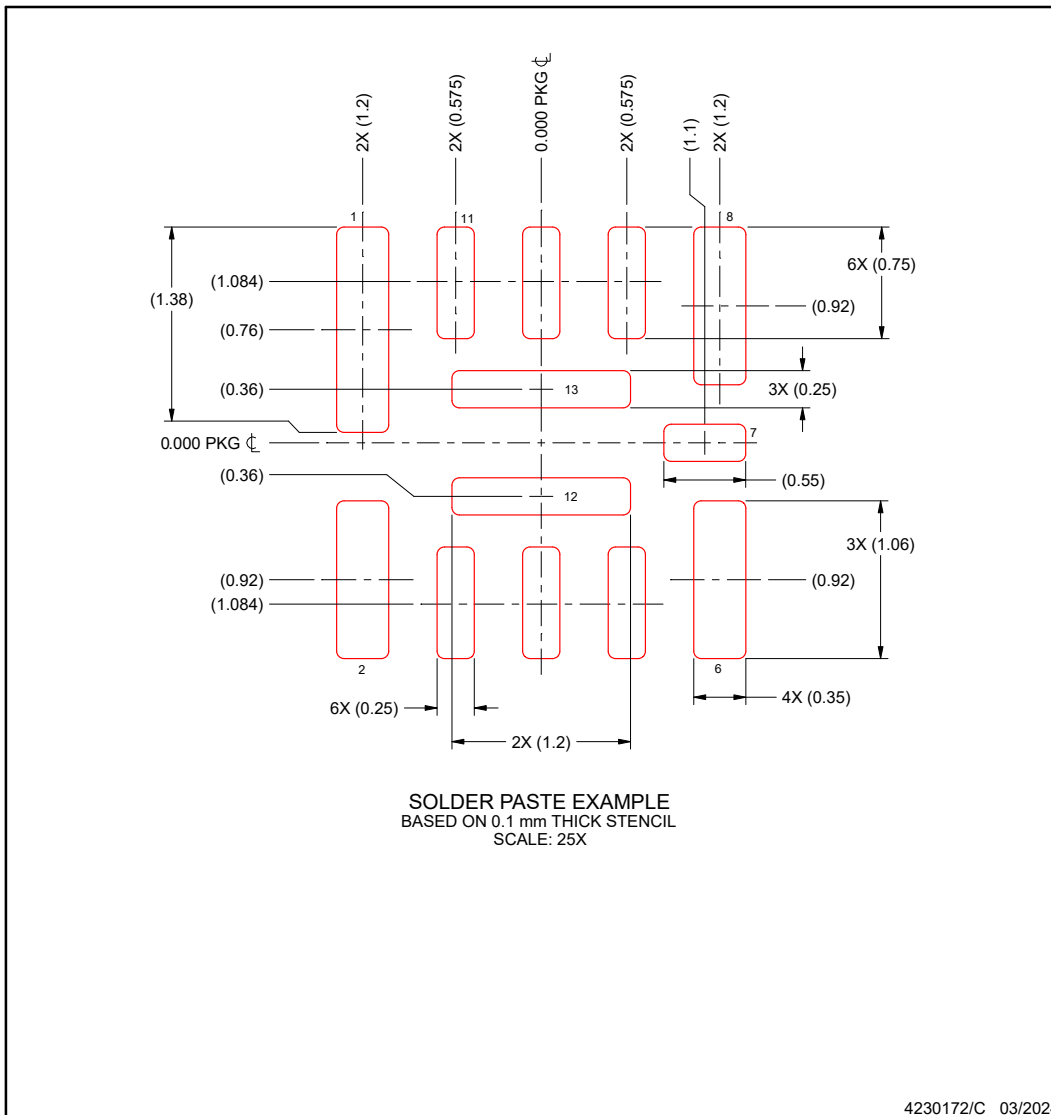
3. This package is designed to be soldered to a thermal pad on the board. For more information, see Texas Instruments literature number SLUA271 (www.ti.com/lit/slua271)

### EXAMPLE STENCIL DESIGN

#### VCA0013A

#### QFN-FCMOD - 2 mm max height

PLASTIC QUAD FLATPACK - NO LEAD



NOTES: (continued)

- 4. Laser cutting apertures with trapezoidal walls and rounded corners may offer better paste release. IPC-7525 may have alternate design recommendations.

## 重要なお知らせと免責事項

テキサス・インスツルメンツは、技術データと信頼性データ (データシートを含みます)、設計リソース (リファレンス デザインを含みます)、アプリケーションや設計に関する各種アドバイス、Web ツール、安全性情報、その他のリソースを、欠陥が存在する可能性のある「現状のまま」提供しており、商品性および特定目的に対する適合性の黙示保証、第三者の知的財産権の非侵害保証を含むいかなる保証も、明示的または黙示的にかかわらず拒否します。

これらのリソースは、テキサス・インスツルメンツ製品を使用する設計の経験を積んだ開発者への提供を意図したものです。(1) お客様のアプリケーションに適した テキサス・インスツルメンツ製品の選定、(2) お客様のアプリケーションの設計、検証、試験、(3) お客様のアプリケーションに該当する各種規格や、その他のあらゆる安全性、セキュリティ、規制、または他の要件への確実な適合に関する責任を、お客様のみが単独で負うものとします。

上記の各種リソースは、予告なく変更される可能性があります。これらのリソースは、リソースで説明されている テキサス・インスツルメンツ製品を使用するアプリケーションの開発の目的でのみ、テキサス・インスツルメンツはその使用をお客様に許諾します。これらのリソースに関して、他の目的で複製することや掲載することは禁止されています。テキサス・インスツルメンツや第三者の知的財産権のライセンスが付与されている訳ではありません。お客様は、これらのリソースを自身で使用した結果発生するあらゆる申し立て、損害、費用、損失、責任について、テキサス・インスツルメンツおよびその代理人を完全に補償するものとし、テキサス・インスツルメンツは一切の責任を拒否します。

テキサス・インスツルメンツの製品は、[テキサス・インスツルメンツの販売条件](#)、または [ti.com](https://www.ti.com) やかかる テキサス・インスツルメンツ製品の関連資料などのいずれかを通じて提供する適用可能な条項の下で提供されています。テキサス・インスツルメンツがこれらのリソースを提供することは、適用されるテキサス・インスツルメンツの保証または他の保証の放棄の拡大や変更を意味するものではありません。

お客様がいかなる追加条項または代替条項を提案した場合でも、テキサス・インスツルメンツはそれらに異議を唱え、拒否します。

郵送先住所: Texas Instruments, Post Office Box 655303, Dallas, Texas 75265

Copyright © 2024, Texas Instruments Incorporated

## PACKAGING INFORMATION

Orderable Device	Status (1)	Package Type	Package Drawing	Pins	Package Qty	Eco Plan (2)	Lead finish/ Ball material (6)	MSL Peak Temp (3)	Op Temp (°C)	Device Marking (4/5)	Samples
TPSM82816PVCAR	ACTIVE	QFN-FCMOD	VCA	13	3000	RoHS (In Work) & Green (In Work)	NIPDAU	Level-3-260C-168 HR	-40 to 125	3HCI	<a href="#">Samples</a>
TPSM82816SIER	ACTIVE	uSiP	SIE	14	3000	RoHS & Green	ENEPIG	Level-2-260C-1 YEAR	-40 to 125		<a href="#">Samples</a>
XPSM82816PVCAR	ACTIVE	QFN-FCMOD	VCA	13	3000	TBD	Call TI	Call TI	-40 to 125		<a href="#">Samples</a>

(1) The marketing status values are defined as follows:

**ACTIVE:** Product device recommended for new designs.

**LIFEBUY:** TI has announced that the device will be discontinued, and a lifetime-buy period is in effect.

**NRND:** Not recommended for new designs. Device is in production to support existing customers, but TI does not recommend using this part in a new design.

**PREVIEW:** Device has been announced but is not in production. Samples may or may not be available.

**OBSOLETE:** TI has discontinued the production of the device.

(2) **RoHS:** TI defines "RoHS" to mean semiconductor products that are compliant with the current EU RoHS requirements for all 10 RoHS substances, including the requirement that RoHS substance do not exceed 0.1% by weight in homogeneous materials. Where designed to be soldered at high temperatures, "RoHS" products are suitable for use in specified lead-free processes. TI may reference these types of products as "Pb-Free".

**RoHS Exempt:** TI defines "RoHS Exempt" to mean products that contain lead but are compliant with EU RoHS pursuant to a specific EU RoHS exemption.

**Green:** TI defines "Green" to mean the content of Chlorine (Cl) and Bromine (Br) based flame retardants meet JS709B low halogen requirements of <=1000ppm threshold. Antimony trioxide based flame retardants must also meet the <=1000ppm threshold requirement.

(3) MSL, Peak Temp. - The Moisture Sensitivity Level rating according to the JEDEC industry standard classifications, and peak solder temperature.

(4) There may be additional marking, which relates to the logo, the lot trace code information, or the environmental category on the device.

(5) Multiple Device Markings will be inside parentheses. Only one Device Marking contained in parentheses and separated by a "-" will appear on a device. If a line is indented then it is a continuation of the previous line and the two combined represent the entire Device Marking for that device.

(6) Lead finish/Ball material - Orderable Devices may have multiple material finish options. Finish options are separated by a vertical ruled line. Lead finish/Ball material values may wrap to two lines if the finish value exceeds the maximum column width.

**Important Information and Disclaimer:**The information provided on this page represents TI's knowledge and belief as of the date that it is provided. TI bases its knowledge and belief on information provided by third parties, and makes no representation or warranty as to the accuracy of such information. Efforts are underway to better integrate information from third parties. TI has taken and continues to take reasonable steps to provide representative and accurate information but may not have conducted destructive testing or chemical analysis on incoming materials and chemicals. TI and TI suppliers consider certain information to be proprietary, and thus CAS numbers and other limited information may not be available for release.

In no event shall TI's liability arising out of such information exceed the total purchase price of the TI part(s) at issue in this document sold by TI to Customer on an annual basis.

**TAPE AND REEL INFORMATION**

**QUADRANT ASSIGNMENTS FOR PIN 1 ORIENTATION IN TAPE**


\*All dimensions are nominal

Device	Package Type	Package Drawing	Pins	SPQ	Reel Diameter (mm)	Reel Width W1 (mm)	A0 (mm)	B0 (mm)	K0 (mm)	P1 (mm)	W (mm)	Pin1 Quadrant
TPSM82816PVCAR	QFN-FCMOD	VCA	13	3000	330.0	12.4	3.3	2.8	2.2	8.0	12.0	Q1



**TAPE AND REEL BOX DIMENSIONS**


\*All dimensions are nominal

Device	Package Type	Package Drawing	Pins	SPQ	Length (mm)	Width (mm)	Height (mm)
TPSM82816PVCAR	QFN-FCMOD	VCA	13	3000	367.0	367.0	35.0

## 重要なお知らせと免責事項

テキサス・インスツルメンツは、技術データと信頼性データ(データシートを含みます)、設計リソース(リファレンス デザインを含みます)、アプリケーションや設計に関する各種アドバイス、Web ツール、安全性情報、その他のリソースを、欠陥が存在する可能性のある「現状のまま」提供しており、商品性および特定目的に対する適合性の黙示保証、第三者の知的財産権の非侵害保証を含むいかなる保証も、明示的または黙示的にかかわらず拒否します。

これらのリソースは、テキサス・インスツルメンツ製品を使用する設計の経験を積んだ開発者への提供を意図したものです。(1) お客様のアプリケーションに適したテキサス・インスツルメンツ製品の選定、(2) お客様のアプリケーションの設計、検証、試験、(3) お客様のアプリケーションに該当する各種規格や、その他のあらゆる安全性、セキュリティ、規制、または他の要件への確実な適合に関する責任を、お客様のみが単独で負うものとし、ます。

上記の各種リソースは、予告なく変更される可能性があります。これらのリソースは、リソースで説明されているテキサス・インスツルメンツ製品を使用するアプリケーションの開発の目的でのみ、テキサス・インスツルメンツはその使用をお客様に許諾します。これらのリソースに関して、他の目的で複製することや掲載することは禁止されています。テキサス・インスツルメンツや第三者の知的財産権のライセンスが付与されている訳ではありません。お客様は、これらのリソースを自身で使用した結果発生するあらゆる申し立て、損害、費用、損失、責任について、テキサス・インスツルメンツおよびその代理人を完全に補償するものとし、テキサス・インスツルメンツは一切の責任を拒否します。

テキサス・インスツルメンツの製品は、[テキサス・インスツルメンツの販売条件](#)、または [ti.com](https://www.ti.com) やかかるテキサス・インスツルメンツ製品の関連資料などのいずれかを通じて提供する適用可能な条項の下で提供されています。テキサス・インスツルメンツがこれらのリソースを提供することは、適用されるテキサス・インスツルメンツの保証または他の保証の放棄の拡大や変更を意味するものではありません。

お客様がいかなる追加条項または代替条項を提案した場合でも、テキサス・インスツルメンツはそれらに異議を唱え、拒否します。

郵送先住所：Texas Instruments, Post Office Box 655303, Dallas, Texas 75265  
Copyright © 2025, Texas Instruments Incorporated