

TPS27S100x 40V、4A、80mΩ のシングル・チャンネル・ハイサイド・スイッチ

1 特長

- 完全な診断機能を持つ 80mΩ のシングル・チャンネル・ハイサイド・スイッチ
 - TPS27S100A: オープン・ドレインのステータス出力
 - TPS27S100B: 電流モニタのアナログ出力
- 広い動作電圧範囲: 3.5V~40V
- 非常に低いスタンバイ電流: 0.5μA 未満
- 動作時接合部温度範囲: -40~150°C
- 入力制御、3.3V および 5V ロジック互換
- 高精度の電流モニタ: 1A で ±30mA
- 電流制限を外付け抵抗で変更可能 (0.5A~6A)、0.5A で ±20%
- 診断イネーブル機能によって MCU、アナログ、デジタル・インターフェイスの多重化が可能
- IN および OUT ピンの非常に優れた ESD 保護
 - ±16kV IEC 61000-4-2 ESD 接触放電
 - ±4kV IEC 61000-4-4 電気的高速過渡
 - ±1.0kV/42ΩのIEC 61000-4-5サージ
- 保護
 - 過負荷および GND への短絡保護
 - 誘導性負荷の負電圧クランプ
 - 低電圧誤動作防止 (UVLO) 保護
 - 自己回復可能なサーマル・シャットダウンおよびスイング
 - GND 喪失保護
- 診断機能
 - オンおよびオフ状態での出力開放負荷および電源への短絡の検出
 - 過負荷およびグラウンドへの短絡の検出
 - サーマル・シャットダウンおよびスイング検出
- 熱的に強化された 14 ピン PWP または 16 ピン QFN パッケージ

2 アプリケーション

- プログラマブル・ロジック・コントローラ
- ビルディング・オートメーション
- テレコムおよびネットワーク

3 概要

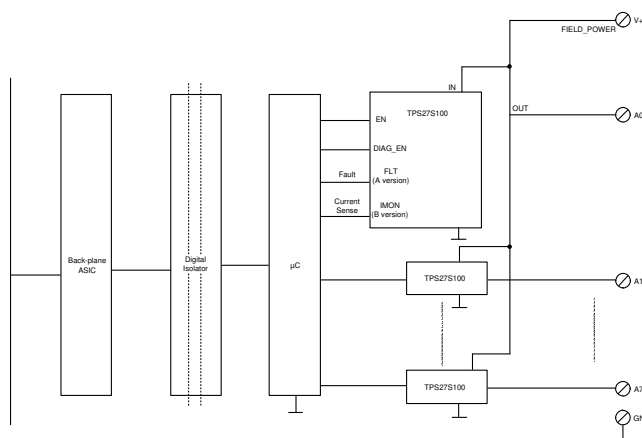
TPS27S100xはシングル・チャンネルの完全に保護されたハイサイド・スイッチで、NMOSおよびチャージ・ポンプが内蔵されています。包括的な診断機能と高精度の電流監視機能によって、インテリジェントな負荷制御が可能です。可変の電流制限機能により、システム全体の信頼性が大幅に向上します。デバイス診断レポートには2つのバージョンがあり、デジタル・フォルト状態と、アナログ電流監視出力の両方をサポートします。高精度の電流監視と可変の電流制限機能は、市場での差別化に役立ちます。

製品情報⁽¹⁾

型番	パッケージ	本体サイズ(公称)
TPS27S100x	HTSSOP (14)	4.40mm×5.00mm
	QFN (16)	4.00mm×3.5mm

(1) 利用可能なすべてのパッケージについては、このデータシートの末尾にある注文情報を参照してください。

代表的なアプリケーションの回路図



目次

1	特長	1	7.2	Functional Block Diagram	15
2	アプリケーション	1	7.3	Feature Description	15
3	概要	1	7.4	Device Functional Modes	23
4	改訂履歴	2	8	Application and Implementation	25
5	Pin Configuration and Functions	3	8.1	Application Information	25
6	Specifications	4	8.2	Typical Application	25
6.1	Absolute Maximum Ratings	4	9	Power Supply Recommendations	27
6.2	ESD Ratings	4	10	Layout	27
6.3	Recommended Operating Conditions	4	10.1	Layout Guidelines	27
6.4	Thermal Information	4	10.2	Layout Example	27
6.5	Electrical Characteristics	6	11	デバイスおよびドキュメントのサポート	29
6.6	Timing Requirements – Current Monitor Characteristics	8	11.1	ドキュメントの更新通知を受け取る方法	29
6.7	Switching Characteristics	9	11.2	コミュニティ・リソース	29
6.8	Typical Characteristics	11	11.3	商標	29
7	Detailed Description	15	11.4	静電気放電に関する注意事項	29
7.1	Overview	15	11.5	Glossary	29
			12	メカニカル、パッケージ、および注文情報	29

4 改訂履歴

Revision A (February 2018) から Revision B に変更

Page

• 「特長」セクションに QFN パッケージを追加	1
• 「製品情報」表にパッケージ QFN (16) と本体サイズ 4.00mm x 3.5mm を追加	1
• 「代表的なアプリケーションの回路図」を更新	1
• Added RRK Package to the <i>Pin Out Drawing</i> and <i>Pin Functions</i> table	3
• Updated the <i>Specifications Absolute Maximum Ratings</i> table	4
• Changed the Operation junction temperature range MAX from 150°C to 125°C in the <i>Specifications Recommended Operating Conditions</i> table	4
• Added RRK package to the <i>Specifications Thermal Information</i> table	4
• Updated the Operating Current section in the <i>Specifications Electrical Characteristics</i> table	4

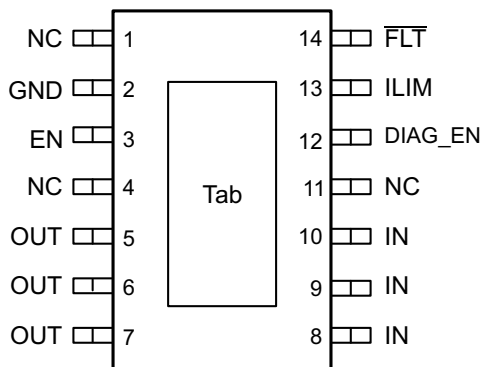
2017年10月発行のものから更新

Page

• Added footnote 2 and 3 to the <i>Electrical Characteristics</i> table	4
• Added reverse current protection information to the <i>Reverse Current Protection</i> section	22

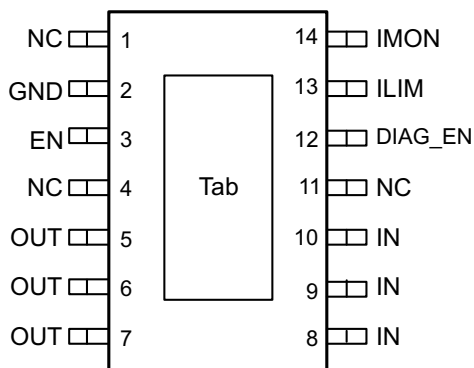
5 Pin Configuration and Functions

TPS27S100A PWP Package
14-Pin HTSSOP With Exposed Thermal Pad
Top View



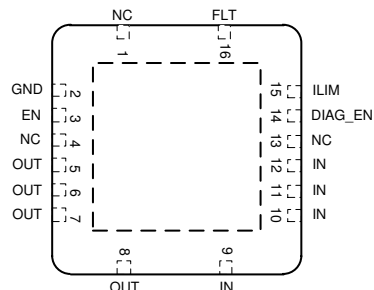
NC – No internal connection

TPS27S100B PWP Package
14-Pin HTSSOP With Exposed Thermal Pad
Top View



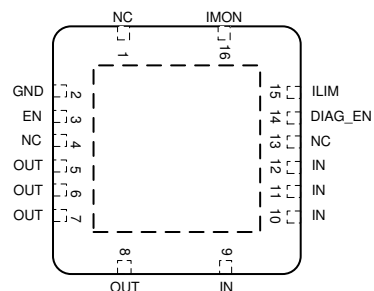
NC – No internal connection

TPS27S100A RRK Package
16-Pin QFN With Exposed Thermal Pad
Top View



NC – No internal connection

TPS27S100B RRK Package
16-Pin QFN With Exposed Thermal Pad
Top View



NC – No internal connection

Pin Functions

NAME	PIN				I/O	DESCRIPTION
	TPS27S100 A PWP	TPS27S100 B PWP	TPS27S100 A RRK	TPS27S100B RRK		
DIAG_EN	12	12	14	14	I	Enable and disable pin for diagnostic functions. Connect to device GND if not used.
EN	3	3	3	3	I	Enable control for channel activation.
$\overline{\text{FLT}}$	14	—	16	—	O	Open-drain diagnostic status output. Leave floating if not used.
GND	2	2	2	2	—	Ground pin.
ILIM	13	13	15	15	O	adjustable current-limit pin. Connect to device GND if external current limit is not used.
IMON	—	14	—	16	O	Current-monitor output. Leave floating if not used.
IN	8, 9, 10	8, 9, 10	9, 10, 11, 12	9, 10, 11, 12	I	Power supply.
NC	1, 4, 11	1, 4, 11	1, 4, 13	1, 4, 13	—	No-connect pin; leave floating.
OUT	5, 6, 7	5, 6, 7	5, 6, 7, 8	5, 6, 7, 8	O	Output, connected to load.
Thermal pad	—	—	—	—	—	Thermal pad. Connect to device GND or leave floating.

6 Specifications

6.1 Absolute Maximum Ratings

over operating ambient temperature range (unless otherwise noted) ⁽¹⁾⁽²⁾

	MIN	MAX	UNIT
Supply voltage		40	V
Supply voltage (for transients less than 400 ms)		48	V
Current on GND pin, t < 2 minutes	-250	100	mA
Voltage on EN and DIAG_EN pins	-0.3	7	V
Current on EN and DIAG_EN pins	-10		mA
Voltage on $\overline{\text{FLT}}$ pin	-0.3	7	V
Current on $\overline{\text{FLT}}$ pin	-30	10	mA
Voltage on ILIM pin	-0.3	7	V
Voltage on IMON pin	-2.7	6.5	V
Inductive load switch-off energy dissipation, single pulse ⁽³⁾		70	mJ
Operating junction temperature, T _J	-40	150	°C
Storage temperature, T _{stg}	-65	150	°C

- (1) Stresses beyond those listed under *Absolute Maximum Ratings* may cause permanent damage to the device. These are stress ratings only, which do not imply functional operation of the device at these or any other conditions beyond those indicated under *Recommended Operating Conditions*. Exposure to absolute-maximum-rated conditions for extended periods may affect device reliability.
- (2) All voltage values are with respect to GND.
- (3) Test condition: V_{IN} = 13.5 V, L = 8 mH, R = 0 Ω, T_J = 150°C. FR4 2s2p board, 2- x 70-μm Cu, 2- x 35-μm Cu. 600-mm² board copper area.

6.2 ESD Ratings

			VALUE	UNIT
V _(ESD)	Electrostatic discharge	Human body model (HBM) ⁽¹⁾	IN, OUT, GND	±5000
		Human body model (HBM) ⁽¹⁾	Other pins	±4000
		Charged device model (CDM)		±750
V _(ESD)	Electrostatic discharge	Contact/Air discharge, per IEC 61000-4-2 ⁽²⁾	IN, OUT	±16000
V _(ESD)		Electrical fast transient, per IEC 61000-4-4 ⁽²⁾	IN, OUT	±4000
V _(ESD)		Surge protection with 42 Ω, per IEC 61000-4-5; 1.2/50 μs ⁽²⁾	IN, OUT	±1000

- (1) JEDEC document JEP155 states that 500-V HBM allows safe manufacturing with a standard ESD control process.
- (2) Tested with application circuit shown in [Figure 35](#) with C_{VIN1} = 47 μF, C_{VIN2} = 100 nF, C_{VOU1} = 22 nF and SM15T30A TVS input clamp. Supply voltage of 24 V DC is always ON, EN Inputs are High, so output is High (ON) and floating (no load).

6.3 Recommended Operating Conditions

over operating free-air temperature range (unless otherwise noted)

		MIN	MAX	UNIT
V _{IN}	Operating voltage	5	40	V
V _{ENx}	Voltage on EN and DIAG_EN pins	0	5	V
V _{FLT}	Voltage on FLT pin	0	5	V
I _{L,nom}	Nominal dc load current	0	4	A
T _J	Operating junction temperature range	-40	125	°C

6.4 Thermal Information

THERMAL METRIC ⁽¹⁾		TPS27S100x		UNIT
		PWP (HTSSOP)	RRK (QFN)	
		14 PINS	16 PINS	
R _{θJA}	Junction-to-ambient thermal resistance	41	42.7	°C/W
R _{θJC(top)}	Junction-to-case (top) thermal resistance	29.7	31.3	°C/W
R _{θJB}	Junction-to-board thermal resistance	25.1	16.5	°C/W

- (1) For more information about traditional and new thermal metrics, see the *Semiconductor and IC Package Thermal Metrics* application report, [SPRA953](#).

Thermal Information (continued)

THERMAL METRIC ⁽¹⁾		TPS27S100x		UNIT
		PWP (HTSSOP)	RRK (QFN)	
		14 PINS	16 PINS	
Ψ_{JT}	Junction-to-top characterization parameter	0.9	0.4	°C/W
Ψ_{JB}	Junction-to-board characterization parameter	24.8	16.5	°C/W
$R_{\theta JC(bot)}$	Junction-to-case (bottom) thermal resistance	2.7	4.6	°C/W

6.5 Electrical Characteristics

5 V < V_{IN} < 40 V; -40°C < T_J < 150°C unless otherwise specified

PARAMETER		TEST CONDITIONS	MIN	TYP	MAX	UNIT
OPERATING VOLTAGE						
V _{IN(nom)}	Nominal operating voltage		4		40	V
V _{IN(uvr)}	Undervoltage restart	V _{IN} rises up	3.5	3.7	4	V
V _{IN(uvf)}	Undervoltage shutdown	V _{IN} falls down	3	3.2	3.5	V
V _(uv,hys)				0.5		V
OPERATING CURRENT						
I _(op)	Nominal operating current	V _{EN} = 5 V, V _{DIAG_EN} = 0 V, 5 V < V _{IN} < 30 V, no load; -40°C T _J < 125°C		2.5	3.2	mA
I _(op)	Nominal operating current	V _{EN} = 5 V, V _{DIAG_EN} = 0 V, 5 V < V _{IN} < 40 V, no load; -40°C T _J < 150°C		2.5	5	mA
I _(op)	Nominal operating current	V _{EN} = 5 V, V _{DIAG_EN} = 0 V, 24-Ω load			10	mA
I _(off)	Standby mode current	V _{IN} = 24 V, V _{EN} = V _{DIAG_EN} = V _{IMON} = V _{LIM} = V _{OUT} = 0 V, T _J = 25°C			2	μA
I _(off,diag)	Standby current with diagnostic enabled	V _{IN} = 24 V, V _{EN} = 0 V, V _{DIAG_EN} = 5 V			1.2	mA
t _(off,deg)	Standby mode deglitch time ⁽¹⁾	EN from high to low, if deglitch time > t _(off,deg) , the device enters into standby mode.		2		ms
I _(kg,out)	Off-state output leakage current	V _{IN} = 24 V, V _{EN} = V _{OUT} = 0, T _J = 25°C			0.5	μA
POWER STAGE						
r _{DS(on)}	On-state resistance	V _{IN} > 5 V, T _J = 25°C		80	100	mΩ
		V _{IN} > 5 V, T _J = 150°C			166	mΩ
		V _{IN} = 3.5 V, T _J = 25°C			120	mΩ
I _{LIM(int)}	Internal current limit	Internal current limit value, ILIM pin connected to GND	7		13	A
I _{LIM(TSD)}	Current limit during thermal shutdown	Internal current limit value under thermal shutdown		5		A
		External current limit value under thermal shutdown as a percentage of the external current limit setting value		50		%
V _{DS(clamp)}	Drain-to-source internal clamp voltage		50		70	V
OUTPUT DIODE CHARACTERISTICS						
V _F	Drain-to-source diode voltage	V _{EN} = 0, I _{OUT} = -0.2 A		0.7		V
I _(R1)	Continuous reverse current from source to drain	t < 60 s, V _{EN} = 0, T _J = 25°C. Short-to-supply condition.		2		A
I _(R2)	Continuous reverse current from source to drain	t < 60 s, V _{EN} = 0, T _J = 25°C. With GND network, 1-kΩ resistor in parallel with A diode. Reverse-polarity condition.		3		A
LOGIC INPUT (EN AND DIAG_EN)						
V _{IH}	Logic high-level voltage		2			V
V _{IL}	Logic low-level voltage				0.8	V
R _(EN,pd)	EN pulldown resistor			500		kΩ
R _(DIAG,pd)	DIAG_EN pulldown resistor			150		kΩ

(1) Value is specified by design, not subject to production test.

Electrical Characteristics (continued)
 $5\text{ V} < V_{\text{IN}} < 40\text{ V}$; $-40^{\circ}\text{C} < T_{\text{J}} < 150^{\circ}\text{C}$ unless otherwise specified

PARAMETER		TEST CONDITIONS	MIN	TYP	MAX	UNIT
DIAGNOSTICS						
$V_{(\text{ol,off})}$	Open-load detection threshold in off-state	$V_{\text{EN}} = 0\text{ V}$, When $V_{\text{IN}} - V_{\text{OUT}} < V_{(\text{ol,off})}$, duration longer than $t_{\text{d(ol,off)}}$. Open load detected.	1.4	1.8	2.6	V
$I_{(\text{ol,off})}$	Off-state output sink current with open load	$V_{\text{EN}} = 0\text{ V}$, $V_{\text{IN}} = V_{\text{OUT}} = 24\text{ V}$, $T_{\text{J}} = 125^{\circ}\text{C}$.	-150			μA
$t_{\text{d(ol,off)}}$	Open-load detection-threshold deglitch time in off state	$V_{\text{EN}} = 0\text{ V}$, When $V_{\text{IN}} - V_{\text{OUT}} < V_{(\text{ol,off})}$, duration longer than $t_{\text{d(ol,off)}}$. Open load detected.		600		μs
$I_{(\text{ol,on})}$	Open-load detection threshold in on state	$V_{\text{EN}} = 5\text{ V}$, when $I_{\text{OUT}} < I_{(\text{ol,on})}$, duration longer than $t_{\text{d(ol,on)}}$. Open load detected. Version A only	2	6	10	mA
$t_{\text{d(ol,on)}}$	Open-load detection-threshold deglitch time in on-state	$V_{\text{EN}} = 5\text{ V}$, when $I_{\text{OUT}} < I_{(\text{ol,on})}$, duration longer than $t_{\text{d(ol,on)}}$. Open load detected.		700		μs
$V_{(\text{FLT})}$	Fault low output voltage	$I_{\text{FLT}} = 2\text{ mA}$			0.4	V
$T_{(\text{SD})}$	Thermal shutdown threshold			175		$^{\circ}\text{C}$
$T_{(\text{SD,rst})}$	Thermal shutdown status reset			155		$^{\circ}\text{C}$
$T_{(\text{SW})}$	Thermal swing shutdown threshold			60		$^{\circ}\text{C}$
$T_{(\text{hys})}$	Hysteresis for resetting the thermal shutdown and swing			10		$^{\circ}\text{C}$
CURRENT MONITOR AND CURRENT LIMIT						
$K_{(\text{IMON})}$	Current sense current ratio			500		
$K_{(\text{ILIM})}$	Current limit current ratio			2000		
$dK_{(\text{IMON})}/K_{(\text{IMON})}$	Current-monitor accuracy	$I_{\text{load}} \geq 5\text{ mA}$	-80		80	%
		$I_{\text{load}} \geq 25\text{ mA}$	-12		12	
		$I_{\text{load}} \geq 50\text{ mA}$	-8		8	
		$I_{\text{load}} \geq 0.1\text{ A}$	-5		5	
		$I_{\text{load}} \geq 1\text{ A}$	-3		3	
$dK_{(\text{ILIM})}/K_{(\text{ILIM})}$	External current-limit accuracy ^{(2), (3)}	$I_{\text{limit}} \geq 0.5\text{ A}$, $25^{\circ}\text{C} < T_{\text{J}} < 150^{\circ}\text{C}$	-20		20	%
		$I_{\text{limit}} \geq 0.5\text{ A}$, $-40^{\circ}\text{C} < T_{\text{J}} < 25^{\circ}\text{C}$	-28		28	%
$dK_{(\text{ILIM})}/K_{(\text{ILIM})}$	External current-limit accuracy ^{(2), (3)}	$I_{\text{limit}} \geq 1.6\text{ A}$, $25^{\circ}\text{C} < T_{\text{J}} < 150^{\circ}\text{C}$	-15		15	%
		$I_{\text{limit}} \geq 1.6\text{ A}$, $-40^{\circ}\text{C} < T_{\text{J}} < 25^{\circ}\text{C}$	-18		18	%
$V_{\text{IMON}(\text{lin})}$	Current-monitor voltage linear voltage range ⁽¹⁾	$V_{\text{IN}} \geq 5\text{ V}$	0		4	V
$I_{\text{OUT}(\text{lin})}$	Current-monitor voltage linear current range ⁽¹⁾	$V_{\text{IN}} \geq 5\text{ V}$, $V_{\text{IMON}(\text{lin})} \leq 4\text{ V}$	0		4	A
$V_{\text{IMON}(\text{H})}$	IMON pin voltage in Fault mode	$V_{\text{IN}} \geq 7\text{ V}$, fault mode	4.3	4.75	4.9	V
		$V_{\text{IN}} \geq 5\text{ V}$, fault mode	Min($V_{\text{IN}} - 0.8, 4.3$)		4.9	
$I_{\text{IMON}(\text{H})}$	IMON pin current in Fault mode	$V_{\text{IMON}} = 4.3\text{ V}$, $V_{\text{IN}} > 7\text{ V}$, fault mode	10			mA
$V_{\text{IMON}(\text{th})}$	Current limit internal threshold voltage ⁽¹⁾			1.233		V

(2) External current limit set is recommended to be higher than 500 mA.

(3) External current limit accuracy is only applicable to overload conditions greater than 1.5 x the current limit setting.

6.6 Timing Requirements – Current Monitor Characteristics⁽¹⁾

			MIN	NOM	MAX	UNIT
$t_{\text{IMON(off1)}}$	IMON settling time from DIAG_EN disabled	$V_{\text{EN}} = 5 \text{ V}$, $I_{\text{load}} \geq 5 \text{ mA}$. $V_{\text{DIAG_EN}}$ from 5 to 0 V. IMON to 10% of sense value.			10	μs
$t_{\text{IMON(on1)}}$	IMON settling time from DIAG_EN enabled	$V_{\text{EN}} = 5 \text{ V}$, $I_{\text{load}} \geq 5 \text{ mA}$. $V_{\text{DIAG_EN}}$ from 0 to 5 V. IMON to 90% of sense value.			10	μs
$t_{\text{IMON(off2)}}$	IMON settling time from EN falling edge	$V_{\text{DIAG_EN}} = 5 \text{ V}$, $I_{\text{load}} \geq 5 \text{ mA}$. EN from 5 to 0 V. IMON to 10% of sense value.			10	μs
		$V_{\text{DIAG_EN}} = 5 \text{ V}$, $I_{\text{load}} \geq 5 \text{ mA}$. EN from 5 to 0 V. Current limit triggered.			180	μs
$t_{\text{IMON(on2)}}$	IMON settling time from EN rising edge	$V_{\text{IN}} = 24 \text{ V}$, $V_{\text{DIAG_EN}} = 5 \text{ V}$, $I_{\text{load}} \geq 100 \text{ mA}$. V_{EN} from 0 to 5 V. IMON to 90% of sense value.			150	μs

(1) Value specified by design, not subject to production test.

6.7 Switching Characteristics

$V_{IN} = 24\text{ V}$, $R_{load} = 24\ \Omega$, over operating free-air temperature range (unless otherwise noted)⁽¹⁾

PARAMETER	TEST CONDITIONS	MIN	TYP	MAX	UNIT
$t_{d(on)}$	Turn-on delay time	20		50	μs
$t_{d(off)}$	Turn-off delay time	40		80	μs
$dV/dt_{(on)}$	Slew rate on	0.1		0.5	$\text{V}/\mu\text{s}$
$dV/dt_{(off)}$	Slew rate off	0.1		0.5	$\text{V}/\mu\text{s}$

(1) Value specified by design, not subject to production test.

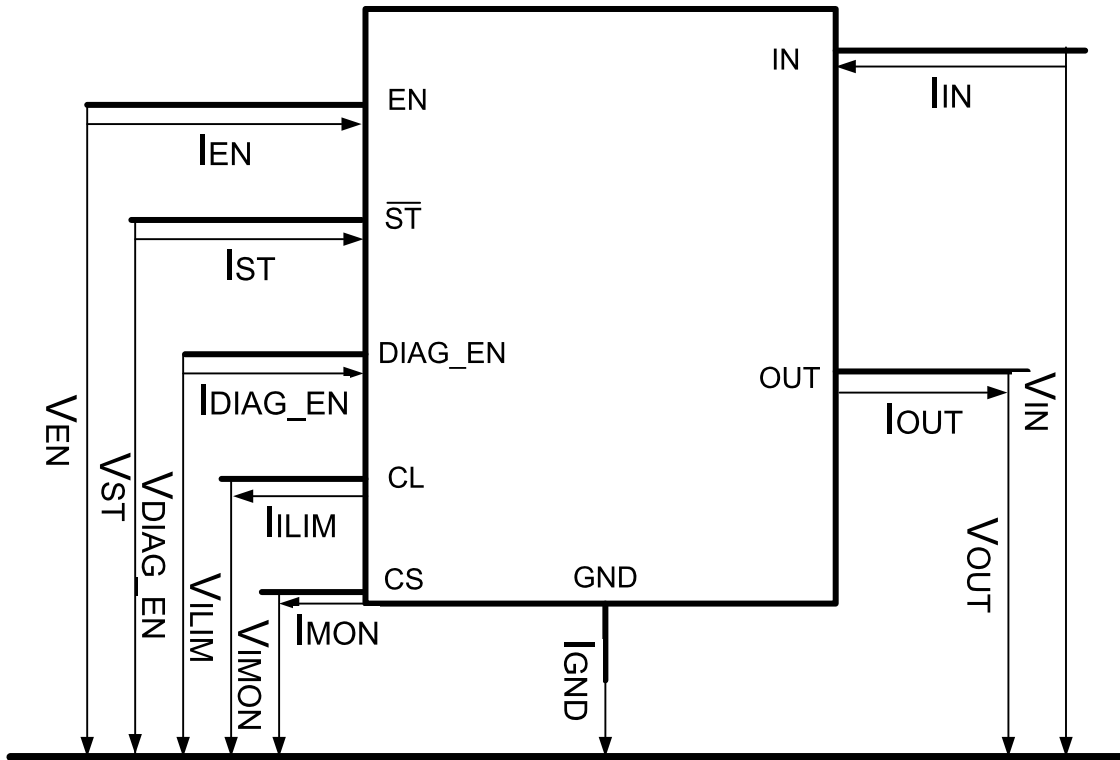


Figure 1. Pin Current and Voltage Conventions

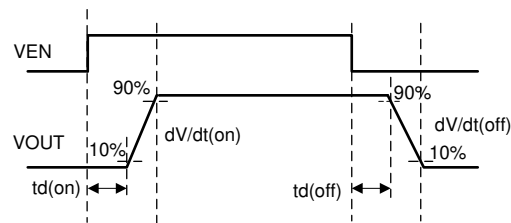


Figure 2. Output Delay Characteristics

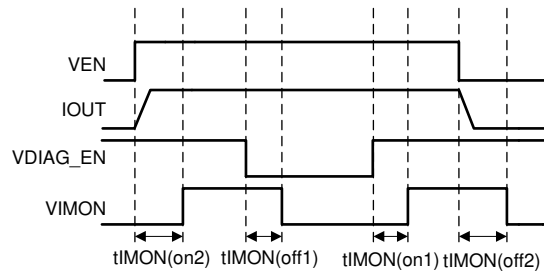


Figure 3. Current sense Delay Characteristics

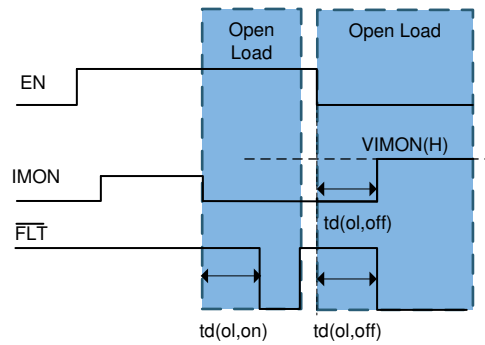


Figure 4. Open Load Blanking Time Characteristics

6.8 Typical Characteristics

All the below data are based on the mean value of the three lots samples, $V_{IN} = 24\text{ V}$ if not specified.

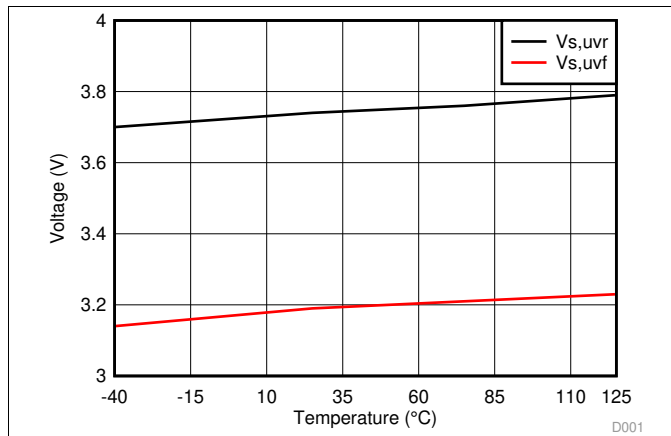


Figure 5. IN Pin Undervoltage Rising and Falling Thresholds $V_{IN,UVR}$ and $V_{IN,UVF}$

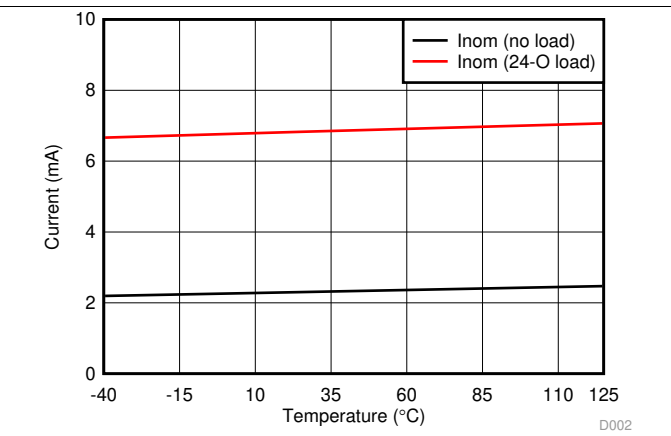


Figure 6. I_{nom} With No Load and 24-Ω Load

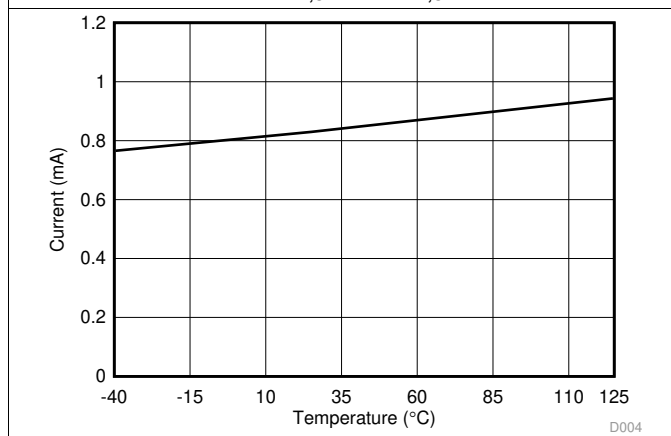


Figure 7. $I_{off,diag}$ as a Function of Temperature

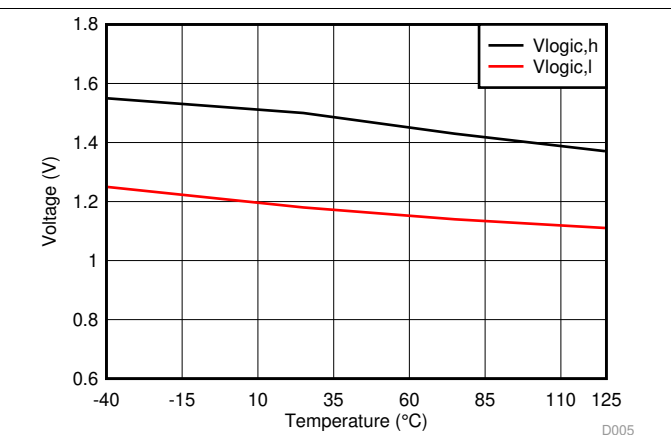
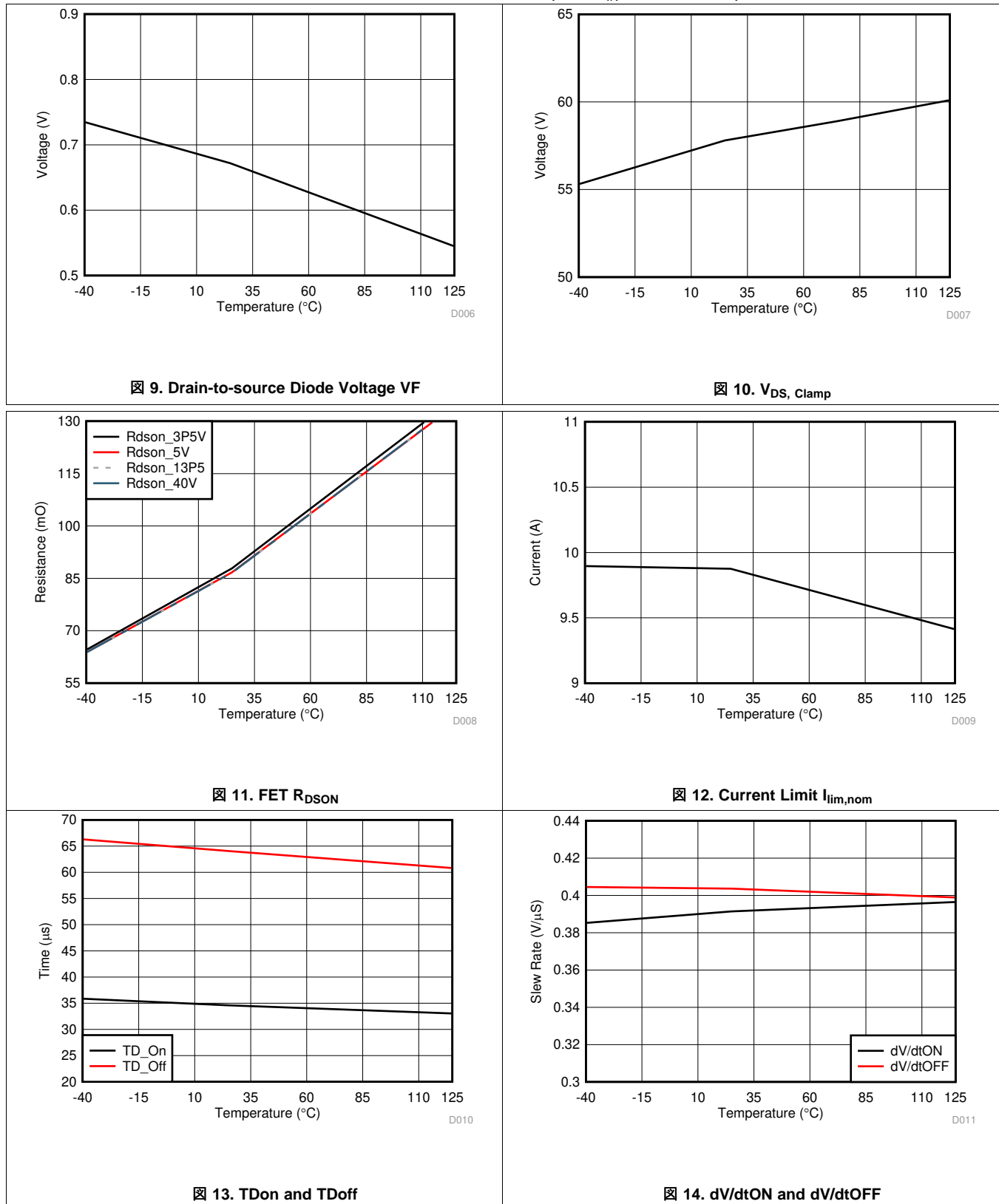


Figure 8. $V_{logic,h}$ and $V_{logic,l}$

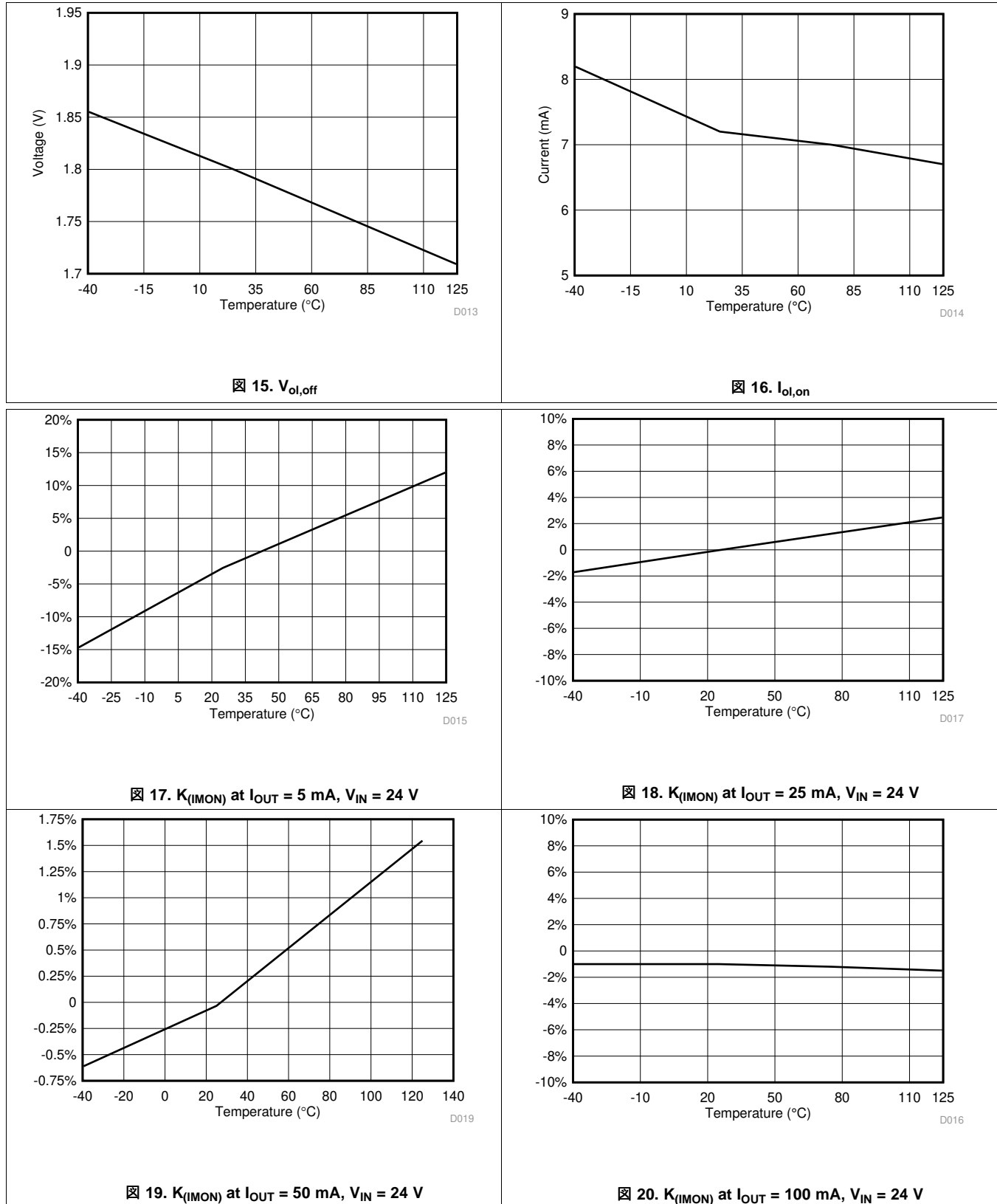
Typical Characteristics (continued)

All the below data are based on the mean value of the three lots samples, $V_{IN} = 24\text{ V}$ if not specified.



Typical Characteristics (continued)

All the below data are based on the mean value of the three lots samples, $V_{IN} = 24\text{ V}$ if not specified.



Typical Characteristics (continued)

All the below data are based on the mean value of the three lots samples, $V_{IN} = 24\text{ V}$ if not specified.

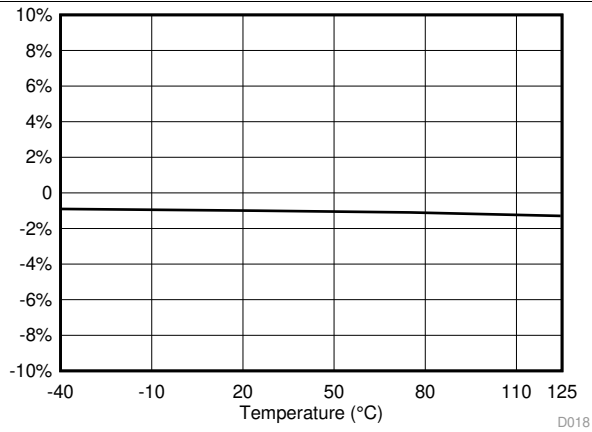


图 21. $K_{(IMON)}$ at $I_{OUT} = 1\text{ A}$, $V_{IN} = 24\text{ V}$

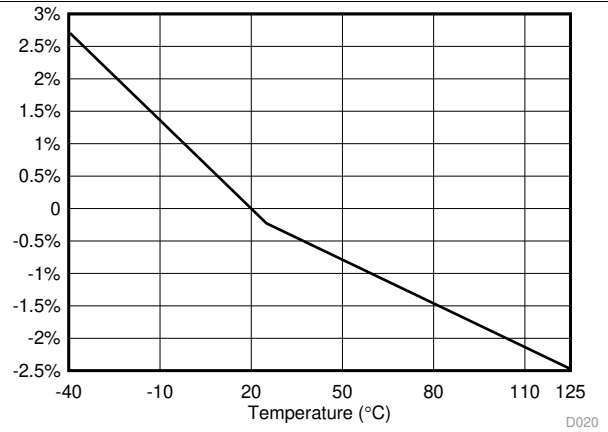


图 22. $K_{(ILIM)}$ at $I_{LIM} = 0.5\text{ A}$, $V_{IN} = 24\text{ V}$

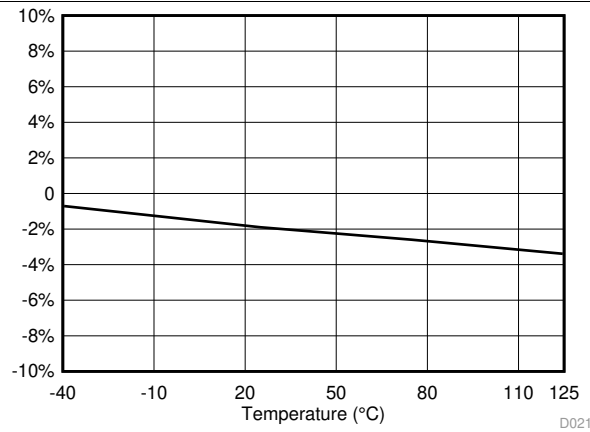


图 23. $K_{(ILIM)}$ at $I_{LIM} = 1.6\text{ A}$, $V_{IN} = 24\text{ V}$

7 Detailed Description

7.1 Overview

The TPS27S100x is a single-channel, fully-protected, high-side switch with an integrated NMOS and charge pump. Full diagnostics and high-accuracy current-monitor features enable intelligent control of the load. An adjustable current-limit function greatly improves the reliability of the whole system. The device diagnostic reporting has two versions to support both digital fault status and analog current monitor output.

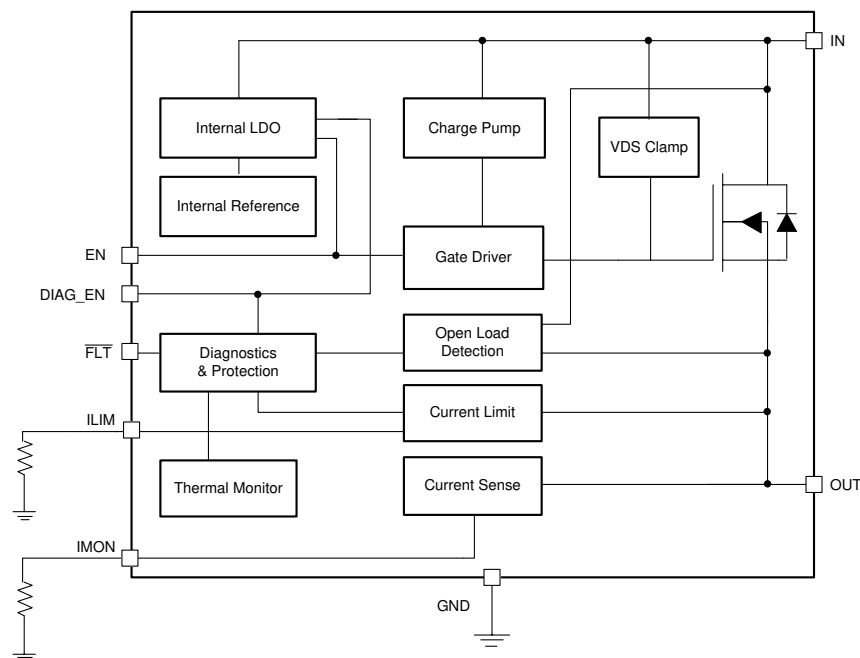
For TPS27S100A, the digital fault status report is implemented with an open-drain structure. For TPS27S100B, high-accuracy current-monitor allows a better real-time monitoring effect and more-accurate diagnostics without further calibration. A current mirror is used to source a fraction ($1 / K_{(IMON)}$) of the load current. $K_{(IMON)}$ is a nearly constant value across the temperature and supply voltage.

The external high-accuracy current limit allows setting the current limit value by application. Under start-up or short-circuit conditions, it improves the reliability of the system significantly by clamping the inrush current effectively. It can also save system costs by reducing PCB trace, connector size, and the preceding power-stage capacity. An internal current limit is also implemented in this device. The lower value of the external or internal current-limit value is applied.

An active drain to source voltage clamp is built in to address switching off the energy of inductive loads, such as relays, solenoids, motors, and so forth. During switching-off cycle, both the energy of the power supply and the inductive load are dissipated on the device itself. See [Inductive-Load Switching-Off Clamp](#) for more details.

The TPS27S100x device can be used as a high-side switch to drive a wide variety of resistive, inductive, and capacitive loads.

7.2 Functional Block Diagram



7.3 Feature Description

7.3.1 Accurate Current Monitor

For TPS27S100B, the high-accuracy current-monitor function is internally implemented, which allows a better real-time monitoring effect. A current mirror is used to source $1 / K_{IMON}$ of the load current, flowing out to the external resistor between the IMON and GND.

Feature Description (continued)

K_{IMON} is the ratio of the output current and the sense current. It is a constant value across the temperature and supply voltage range. Each part is factory calibrated during production test, so user-calibration is not required in most cases.

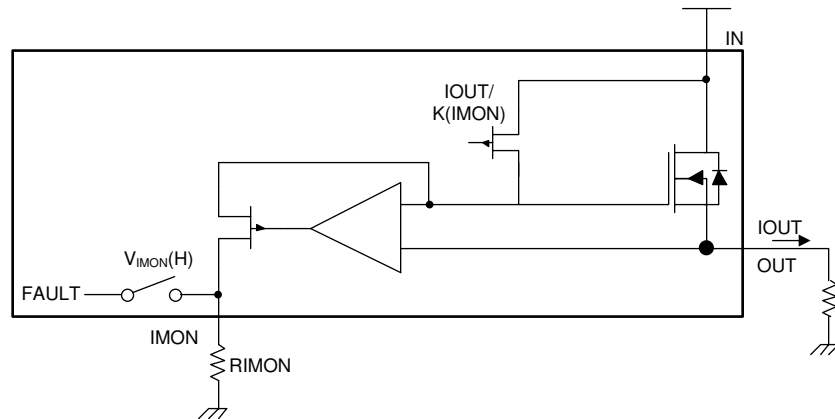


图 24. Current-monitor Block Diagram

When a fault occurs, the IMON pin also works as a fault report with a pullup voltage, $V_{IMON(H)}$.

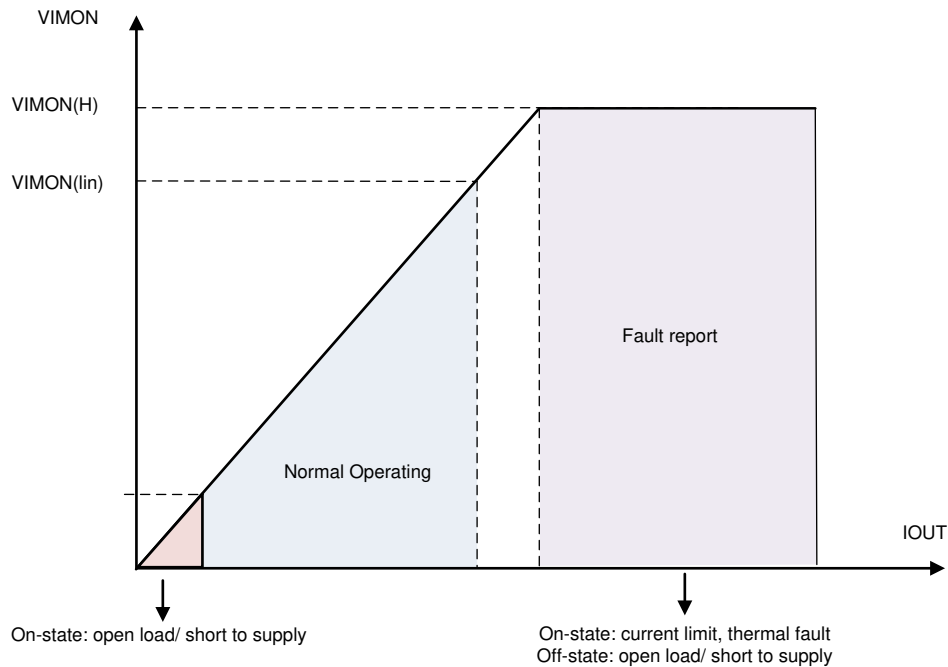


图 25. IMON Output-Voltage Curve

Use Equation 1 to calculate R_{IMON} . Also, please ensure V_{IMON} is within the current-sense linear region $V_{IMON(lin)}$ across the full range of the load current.

$$R_{IMON} = \frac{V_{IMON}}{I_{IMON}} = \frac{V_{IMON} \times K_{(IMON)}}{I_{OUT}} \quad (1)$$

Feature Description (continued)

7.3.2 Adjustable Current Limit

A high-accuracy current limit allows high reliability of the design. It protects the load and the power supply from over-stressing during short-circuit-to-GND or power-up conditions. The current limit can also save system cost by reducing the size of PCB traces and connectors, and the capacity of the preceding power stage.

When the current-limit threshold is hit, a closed loop activates immediately. The output current is clamped at the set value, and a fault is reported out. The device heats up due to the high power dissipation on the power FET. If thermal shutdown occurs, the current limit is set to $I_{ILIM(TSD)}$ to reduce the power dissipation on the power FET.

The device has two current-limit thresholds.

Internal current limit – The internal current limit is fixed at $I_{ILIM(int)}$. Tie the ILIM pin directly to the device GND for large-transient-current applications.

External adjustable current limit – An external resistor is used to set the current-limit threshold. Use Equation 2 below to calculate the R_{ILIM} . $V_{ILIM(th)}$ is the internal band-gap voltage. $K_{(ILIM)}$ is the ratio of the output current and the current-limit set value. It is constant across the temperature and supply voltage. The external adjustable current limit allows the flexibility to set the current limit value by applications.

$$R_{ILIM} = \frac{V_{ILIM(th)} \cdot K_{(ILIM)}}{I_{OUT}} \quad (2)$$

Note that if a GND network is used (which leads to the level shift between the device GND and board GND), the ILIM pin must be connected with device GND.

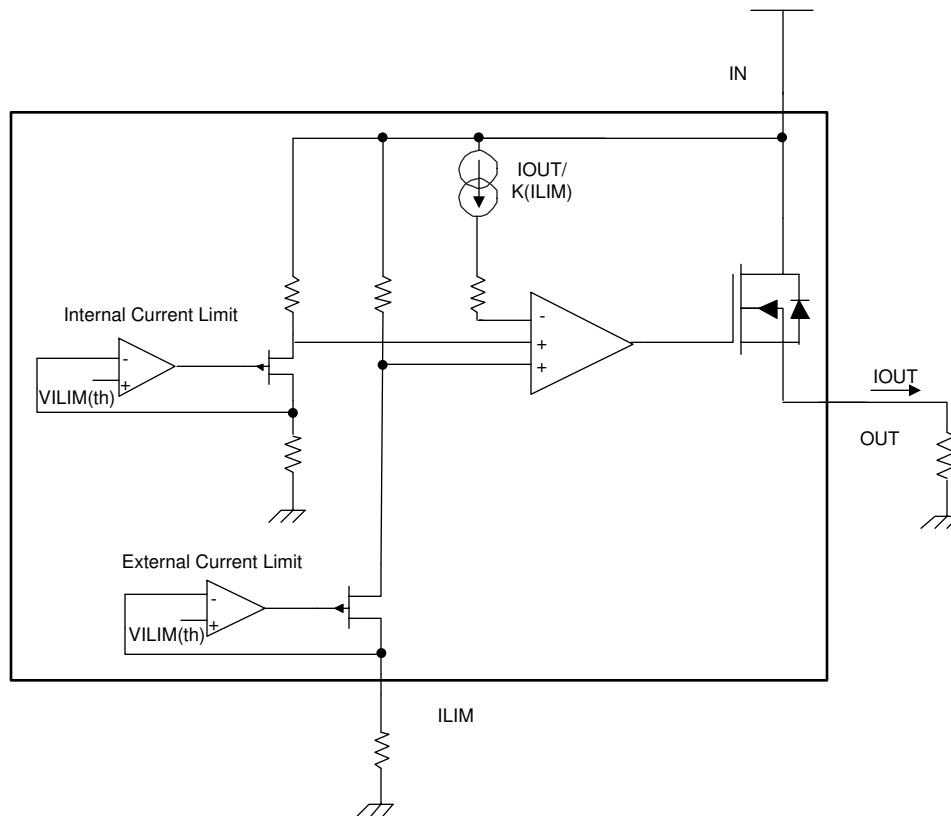


图 26. Current-Limit Block Diagram

For better protection from a hard short-to-GND condition (when the EN pin is enabled, a short to GND occurs suddenly), the device implements a fast-trip protection to turn off the channel before the current-limit closed loop is set up. The fast-trip response time is less than 1 μ s, typically. With this fast response, the device can achieve better inrush current-suppression performance.

Feature Description (continued)

7.3.3 Inductive-Load Switching-Off Clamp

When switching an inductive load off, the inductive reactance tends to pull the output voltage negative. Excessive negative voltage could cause the power FET to break down. To protect the power FET, an internal clamp between drain and source is implemented, namely $V_{DS(clamp)}$.

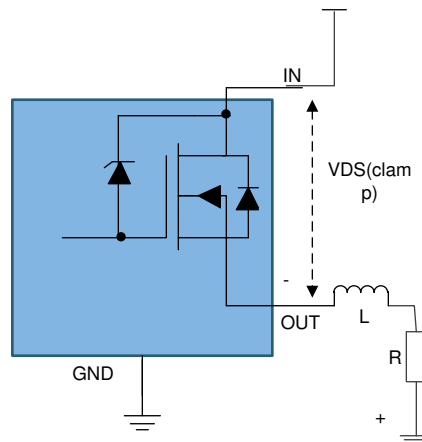


图 27. Drain-to-Source Clamping Structure

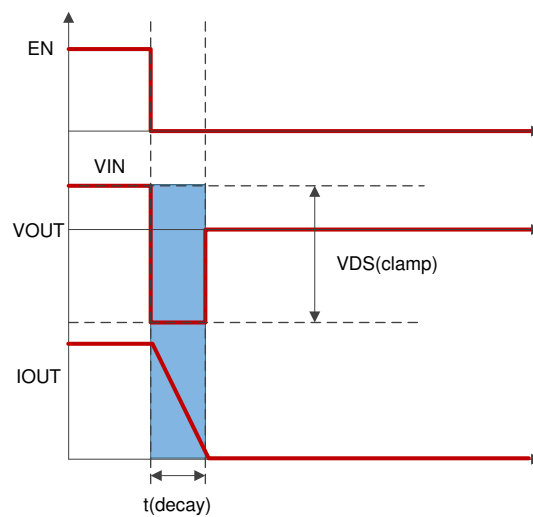


图 28. Inductive-Load Switching-Off Diagram

7.3.4 Full Protections and Diagnostics

表 1 is when DIAG_EN enabled. When DIAG_EN is low, all the diagnostics is disabled accordingly. The output is in high-impedance mode. Refer to 表 2 for details.

表 1. Fault Table

CONDITIONS	IN	OUT	CRITERION	\overline{FLT} (TPS27S100A)	IMON (TPS27S100B)	FAULT RECOVERY
Normal	L	L		H	0	
	H	H		H	In linear region	
Short to GND	H	L	Current limit triggered.	L	$V_{IMON(H)}$	AUTO

Feature Description (continued)
表 1. Fault Table (continued)

CONDITIONS	IN	OUT	CRITERION	FLT (TPS27S100A)	IMON (TPS27S100B)	FAULT RECOVERY
Open load ⁽¹⁾ Short to supply	H	H	TPS27S100A: $I_{OUT} < I_{(ol,on)}$ TPS27S100B: Judged by users	L	Almost 0	AUTO
	L	H	$V_{IN} - V_{OUT} < V_{(ol,off)}$	L	$V_{IMON(H)}$	AUTO
Thermal shutdown	H		T_{SD} triggered	L	$V_{IMON(H)}$	Recovery when $T_J < T_{(SD,rst)}$ or when EN toggles.
Thermal swing	H		T_{SW} triggered	L	$V_{IMON(H)}$	AUTO

(1) Need external pull-up resistor during off-state

表 2. DIAG_EN Logic Table

DIAG_EN	EN	PROTECTIONS AND DIAGNOSTICS
HIGH	ON	See 表 1
	OFF	See 表 1
LOW	ON	Diagnostics disabled, protection normal IMON or FLT is high Impedance
	OFF	Diagnostics disabled, no protections IMON or FLT is high impedance

7.3.4.1 Short-to-GND and Overload Detection

When the switch is on, a short to GND or overload condition causes overcurrent. If the overcurrent triggers either the internal or external current-limit threshold, the fault condition is reported out. The microcontroller can handle the overcurrent by turning off the switch. The device heats up if no actions are taken. If a thermal shutdown occurs, the current limit is $I_{LIM(TSD)}$ to keep the power stressing on the power FET to a minimum. The device automatically recovers when the fault condition is removed.

7.3.4.2 Open-Load Detection

When the channel is on, for TPS27S100A, if the current flowing through the output is less than $I_{(ol,on)}$, the device recognizes an open-load fault. For TPS27S100B, if an open-load event occurs, it can be detected as an ultra-low V_{IMON} and handled by the microcontroller.

When the channel is off, if a load is connected, the output is pulled down to GND. But if an open load occurs, the output voltage is close to the supply voltage ($V_{IN} - V_{OUT} < V_{(ol,off)}$), and the fault is reported out.

There is always a leakage current $I_{(ol,off)}$ present on the output due to internal logic control path or external humidity, corrosion, and so forth. Thus, TI recommends an external pullup resistor to offset the leakage current when an open load is detected. The recommended pullup resistance is 15 kΩ.

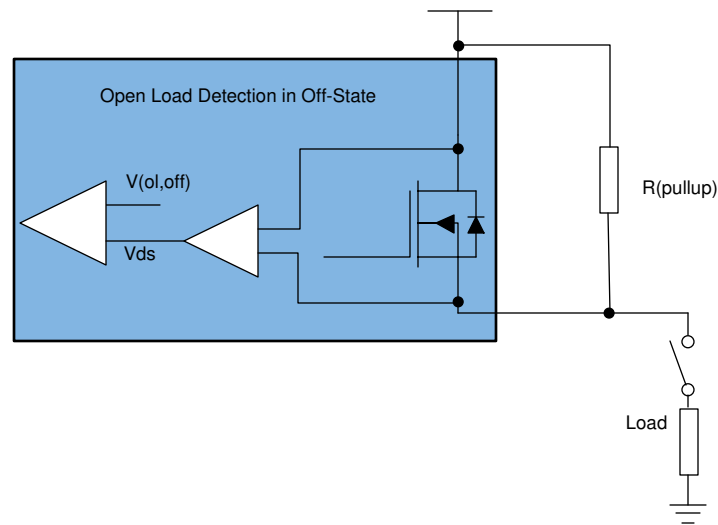


图 29. Open-Load Detection Circuit in Off-State

7.3.4.3 Short-to-Supply Detection

Short-to-Supply has the same detection mechanism and behavior as open-load detection, in both the on-state and off-state. See 表 1 for more details.

7.3.4.4 Thermal Fault Detection

To protect the device in severe power stressing cases, the device implements two types of thermal fault detection, absolute temperature protection (thermal shutdown) and dynamic temperature protection (thermal swing). Respective temperature sensors are integrated close to each power FET, so the thermal fault is reported by each channel. This arrangement can help the device keep the cross-channel effect to a minimum when some channels are in a thermal fault condition.

Thermal shutdown is active when the absolute temperature $T_J > T_{(SD)}$. When thermal shutdown occurs, the respective output turns off.

Thermal swing activates when the power FET temperature is increasing sharply, that is, when $\Delta T = T_{(FET)} - T_{(Logic)} > T_{(sw)}$, then the output turns off. The output automatically recovers and the fault signal clears when $\Delta T = T_{(FET)} - T_{(Logic)} < T_{(sw)} - T_{(hys)}$. Thermal swing function improves the device reliability when subjected to repetitive fast thermal variation.

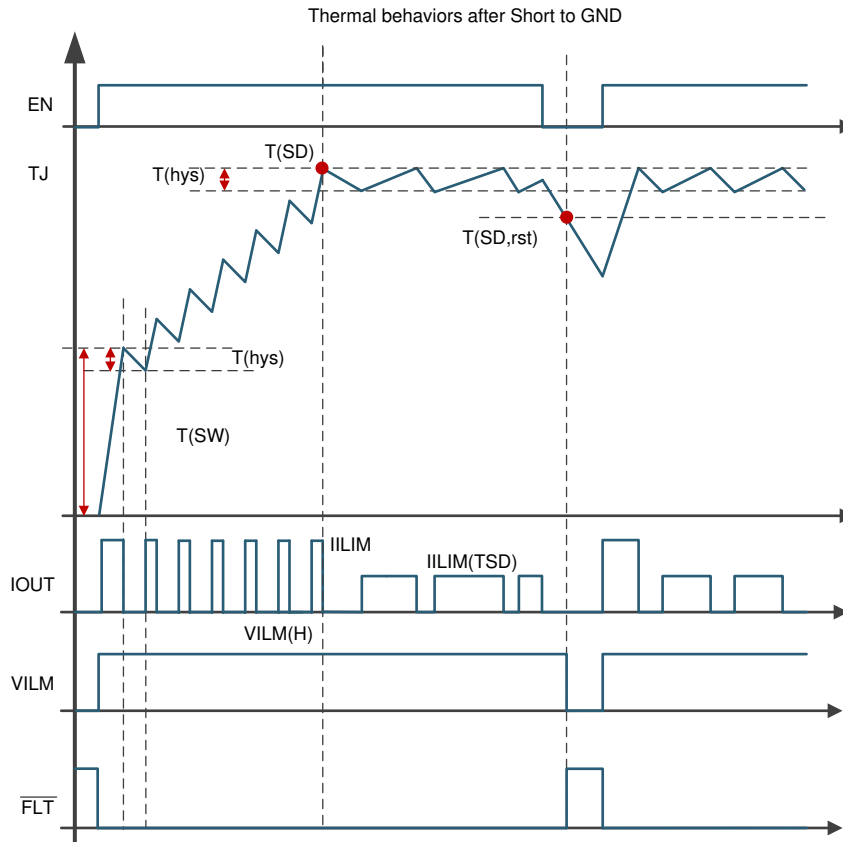


图 30. Thermal Behavior Diagram

7.3.4.5 UVLO Protection

The device monitors the supply voltage V_{IN} , to prevent unpredicted behaviors when V_{IN} is too low. When V_{IN} falls down to $V_{IN(uvf)}$, the device shuts down. When V_{IN} rises up to $V_{IN(uvr)}$, the device turns on.

7.3.4.6 Loss of GND Protection

When loss of GND occurs, output is shut down regardless of whether the EN pin is high or low. The device can protect against two ground-loss conditions, loss of device GND and loss of module GND.

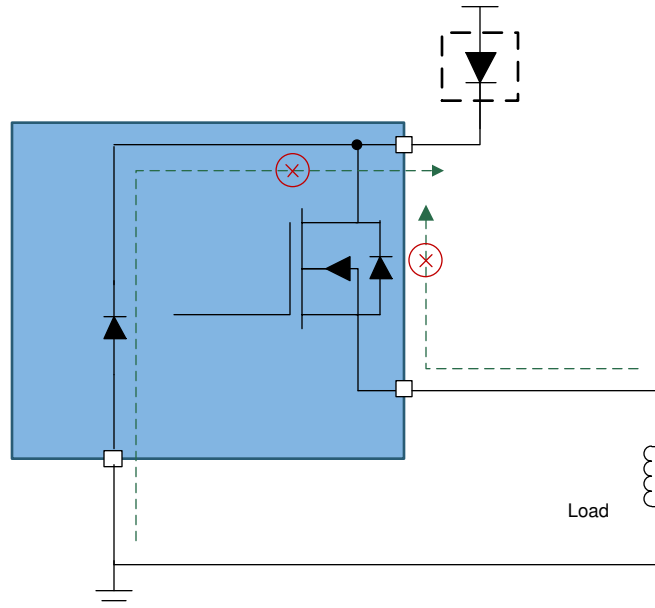
7.3.4.7 Reverse Current Protection

Reverse current occurs in two conditions: short to supply and reverse polarity.

- When a short to the supply occurs, there is only reverse current through the body diode. $I_{R(1)}$ specifies the limit of the reverse current.
- In a reverse-polarity condition, there are reverse currents through the body diode and the device GND pin. $I_{R(2)}$ specifies the limit of the reverse current.

To protect the device, TI recommends two types of external circuitry.

- Adding a blocking diode. Both the IC and load are protected when in reverse polarity.



☒ 31. Reverse-Current External Protection, Method 1

- Adding a GND network. The reverse current through the device GND is blocked. The reverse current through the FET is limited by the load itself. TI recommends a resistor in parallel with the diode as a GND network. The recommended selection are 1-k Ω resistor in parallel with an >100-mA diode. The reverse current protection diode in the GND network forward voltage should be less than 0.6 V in any circumstances. In addition a minimum resistance of 4.7 K is recommended on the I/O pins.

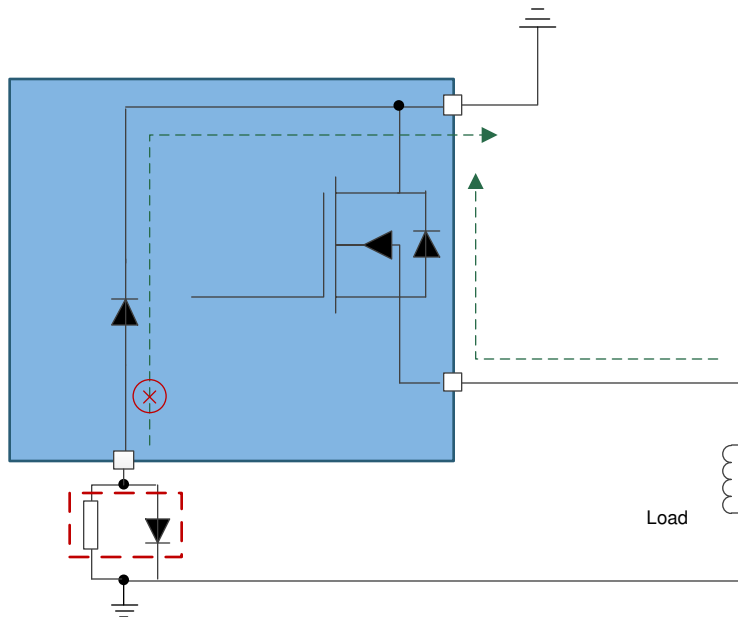


图 32. Reverse-Current External Protection, Method 2

7.3.4.8 Protection for MCU I/Os

TI recommends serial resistors to protect the microcontroller, for example, 4.7-k Ω when using a 3.3-V microcontroller and 10-k Ω for a 5-V microcontroller.

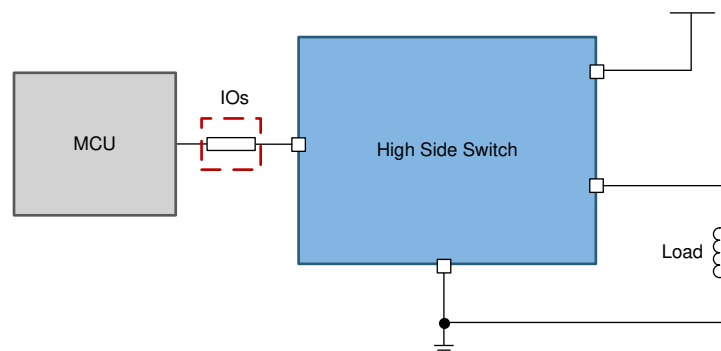


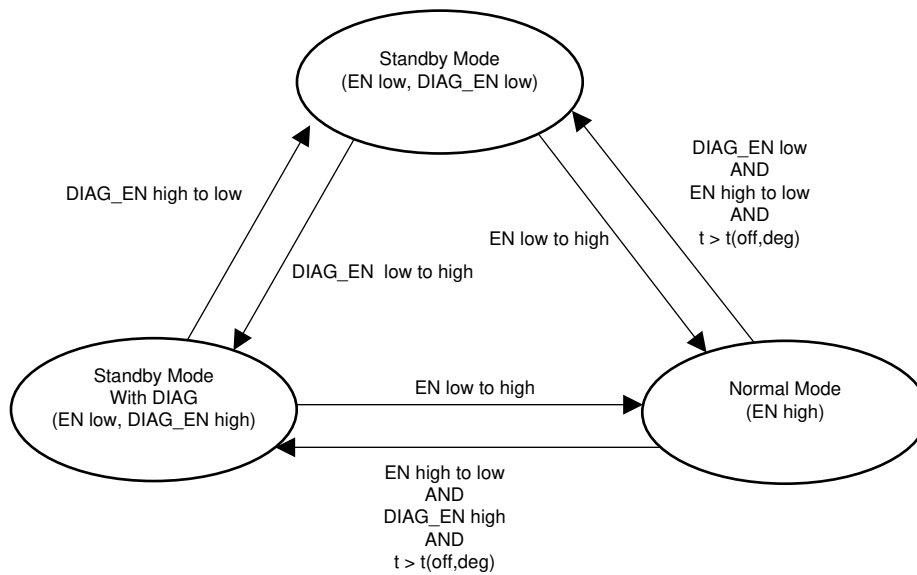
图 33. MCU I/O External Protection

7.4 Device Functional Modes

7.4.1 Working Mode

The device has three working modes: the normal mode, the standby mode, and the standby mode with diagnostics.

Device Functional Modes (continued)



34. Working Modes

8 Application and Implementation

注

Information in the following applications sections is not part of the TI component specification, and TI does not warrant its accuracy or completeness. TI's customers are responsible for determining suitability of components for their purposes. Customers should validate and test their design implementation to confirm system functionality.

8.1 Application Information

The device is capable of driving a wide variety of resistive, inductive, and capacitive loads. Full diagnostics and high accuracy current-monitor features enable intelligent control of the load. An external adjustable current limit improves the reliability of the whole system by clamping the inrush or overload current.

8.2 Typical Application

Figure 35 shows an example of how to design the external circuitry parameters.

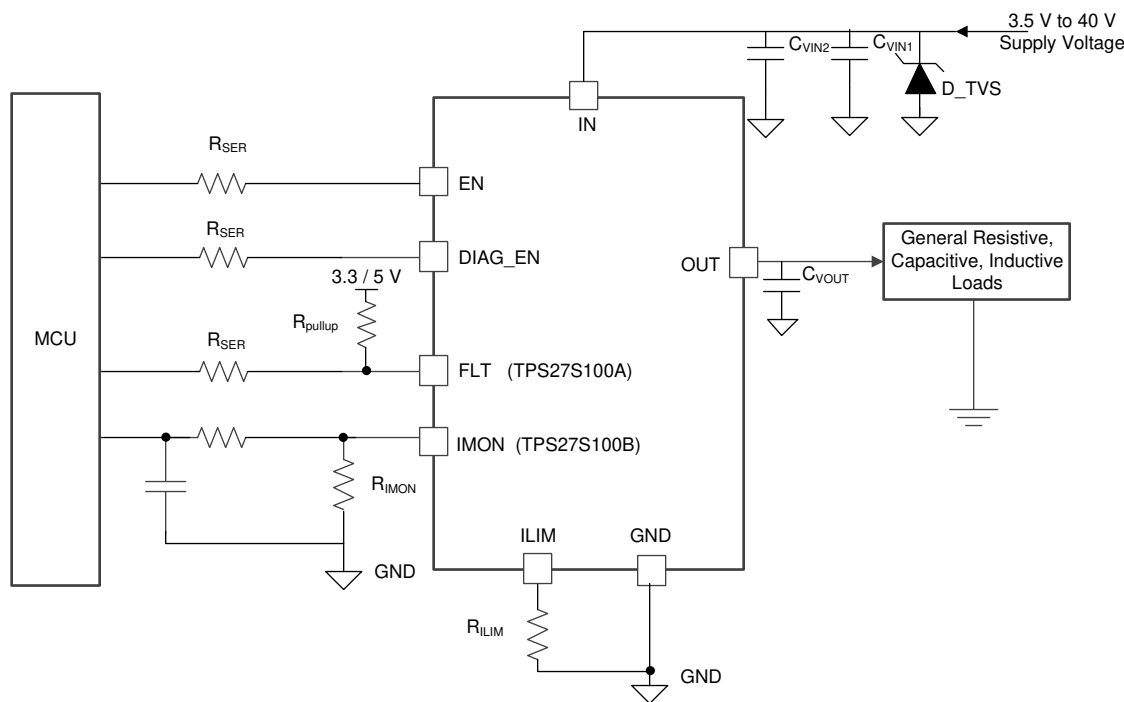


Figure 35. Typical Application Circuitry

Table 3. Recommended External Components

COMPONENT	TYPICAL VALUE	PURPOSE
R _{SER}	15 kΩ	Protect microcontroller and device I/O pins
R _{IMON}	1 kΩ	Translate the sense current into sense voltage
C _{SNS}	100 pF - 10 nF	Low-pass filter for the ADC input
R _{ILIM}	0.82 kΩ	Set current limit threshold
C _{VIN1/2}	4.7 nF to Device GND	Filtering of high frequency noise
	220 nF to Module GND	Stabilize the input supply and voltage spike suppression for surge transient immunity.
C _{OUT}	22 nF	Immunity to ESD
D _{TVS}	36V TVS diode	Transient voltage clamp for surge transient immunity

8.2.1 Design Requirements

- V_{IN} range from 9 V to 30 V
- Nominal current of 2 A
- Current Monitor for fault monitoring
- Expected current limit value of 5 A
- Full diagnostics with 5-V MCU

8.2.2 Detailed Design Procedure

To keep the 2-A nominal current in the 0 to 4-V current-sense range, calculate the R_{IMON} resistor using Equation 3. To achieve better current-sense accuracy, a 1% tolerance or better resistor is preferred.

$$R_{IMON} = \frac{V_{IMON} \times K_{(IMON)}}{I_{OUT}} = \frac{4 \times 500}{2} = 1000 \Omega \quad (3)$$

To set the adjustable current limit value at 5-A, calculate R_{ILIM} using Equation 4.

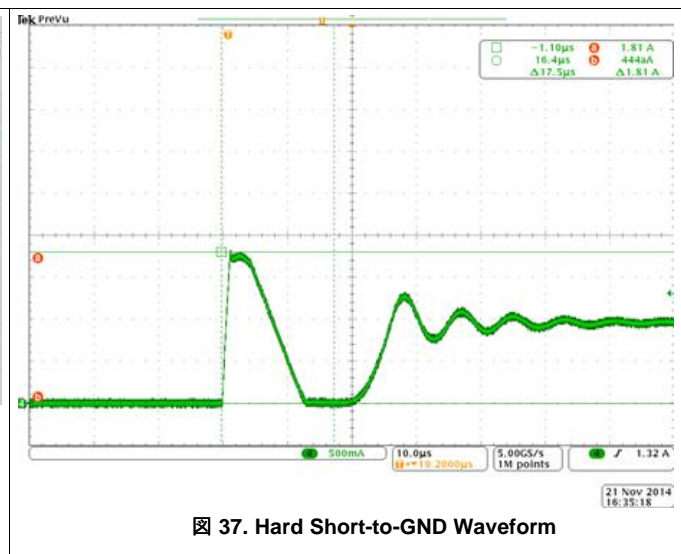
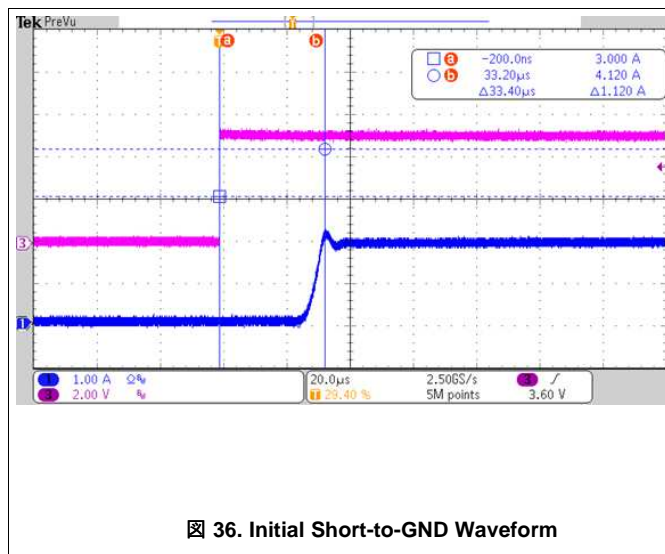
$$R_{ILIM} = \frac{V_{LIM(th)} \cdot K_{(ILIM)}}{I_{OUT}} = \frac{1.233 \cdot 2000}{5} = 493.2 \Omega \quad (4)$$

TI recommends $R_{SER} = 10 \text{ k}\Omega$ for 5-V MCU, and $R_{pullup} = 10 \text{ k}\Omega$ as the pull-up resistor.

8.2.3 Application Curves

Figure 36 shows an example of initial inrush or short-circuit current limit. Test conditions: EN is from low to high, load is resistive short-to-GND or with a 470- μF capacitive load, external current limit is 2 A. CH1 is the output current. CH3 is the EN step.

Figure 37 shows an example of current limit during hard short-circuit. Test conditions: EN is high, load is (5 μH + 100 m Ω), external current limit is 1 A. A short to GND suddenly happens.



9 Power Supply Recommendations

The device is qualified for both 12-V and 24-V applications. The typical power input is a 12-V or 24-V industrial power supply.

10 Layout

10.1 Layout Guidelines

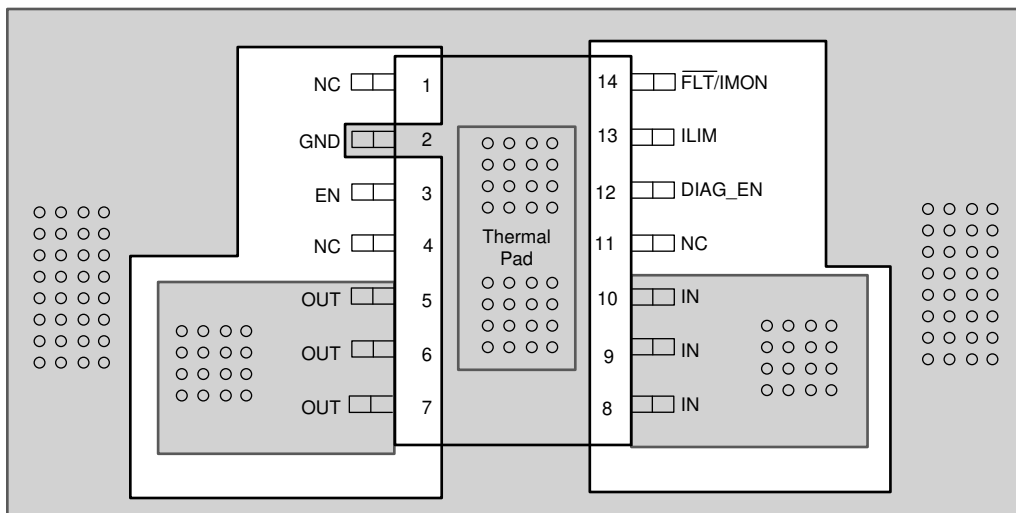
To prevent thermal shutdown, T_J must be less than 150°C. If the output current is very high, the power dissipation may be large. The HTSSOP package has good thermal impedance. However, the PCB layout is very important. Good PCB design can optimize heat transfer, which is absolutely essential for the long-term reliability of the device.

- Maximize the copper coverage on the PCB to increase the thermal conductivity of the board. The major heat-flow path from the package to the ambient is through the copper on the PCB. Maximum copper is extremely important when there are not any heat sinks attached to the PCB on the other side of the board opposite the package.
- Add as many thermal vias as possible directly under the package ground pad to optimize the thermal conductivity of the board.
- All thermal vias should either be plated shut or plugged and capped on both sides of the board to prevent solder voids. To ensure reliability and performance, the solder coverage should be at least 85%.

10.2 Layout Example

10.2.1 Without a GND Network

Without a GND network, tie the thermal pad directly to the board GND copper for better thermal performance.

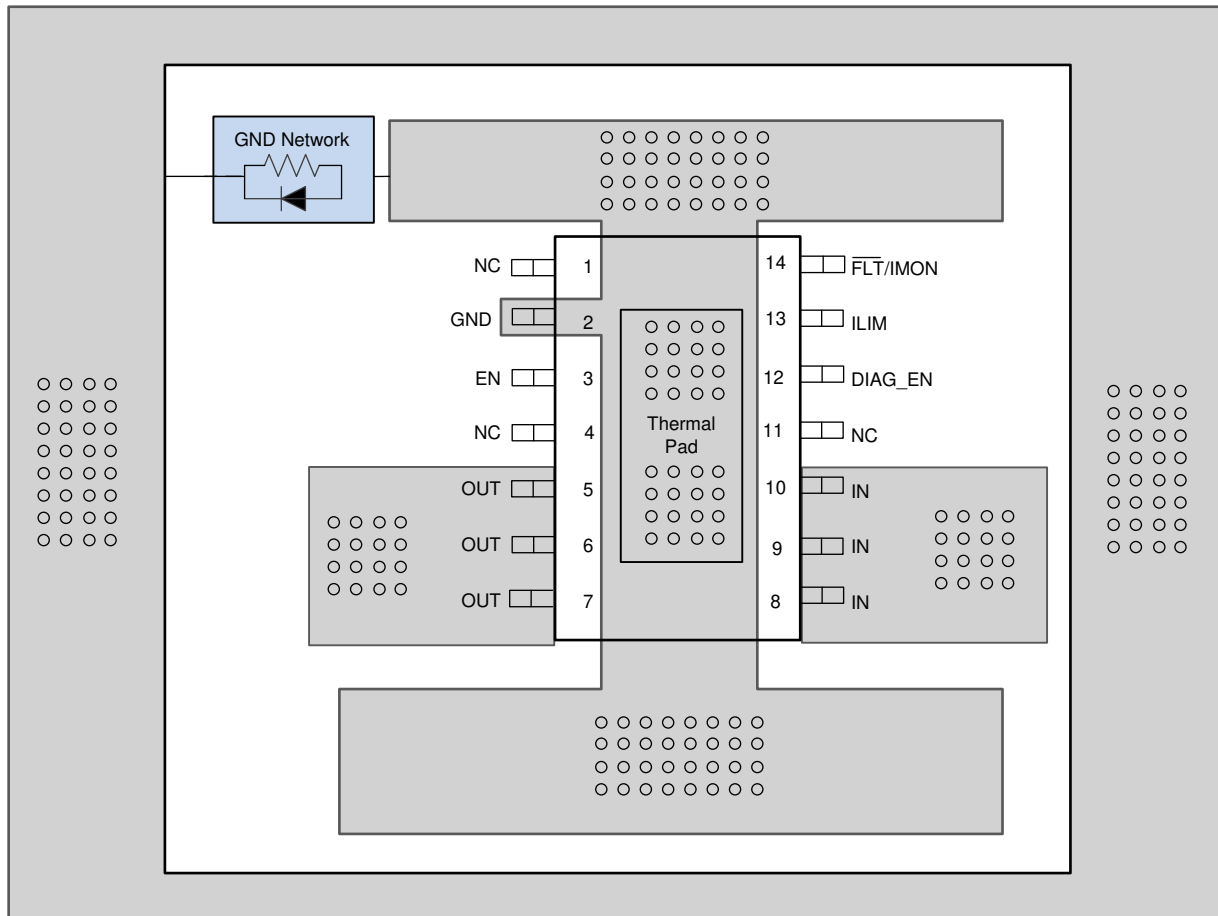


38. Layout Without a GND Network

Layout Example (continued)

10.2.2 With a GND Network

With a GND network, tie the thermal pad with a single trace through the GND network to the board GND copper.



39. Layout With a GND Network

11 デバイスおよびドキュメントのサポート

11.1 ドキュメントの更新通知を受け取る方法

ドキュメントの更新についての通知を受け取るには、ti.comのデバイス製品フォルダを開いてください。右上の「アラートを受け取る」をクリックして登録すると、変更されたすべての製品情報に関するダイジェストを毎週受け取れます。変更の詳細については、修正されたドキュメントに含まれている改訂履歴をご覧ください。

11.2 コミュニティ・リソース

TI E2E™ [support forums](#) are an engineer's go-to source for fast, verified answers and design help — straight from the experts. Search existing answers or ask your own question to get the quick design help you need.

Linked content is provided "AS IS" by the respective contributors. They do not constitute TI specifications and do not necessarily reflect TI's views; see TI's [Terms of Use](#).

11.3 商標

E2E is a trademark of Texas Instruments.
All other trademarks are the property of their respective owners.

11.4 静電気放電に関する注意事項



すべての集積回路は、適切なESD保護方法を用いて、取扱いと保存を行うようにして下さい。

静電気放電はわずかな性能の低下から完全なデバイスの故障に至るまで、様々な損傷を与えます。高精度の集積回路は、損傷に対して敏感であり、極めてわずかなパラメータの変化により、デバイスに規定された仕様に適合しなくなる場合があります。

11.5 Glossary

[SLYZ022](#) — *TI Glossary*.

This glossary lists and explains terms, acronyms, and definitions.

12 メカニカル、パッケージ、および注文情報

以降のページには、メカニカル、パッケージ、および注文に関する情報が記載されています。この情報は、そのデバイスについて利用可能な最新のデータです。このデータは予告なく変更されることがあり、ドキュメントが改訂される場合もあります。本データシートのブラウザ版を使用されている場合は、画面左側の説明をご覧ください。

PACKAGING INFORMATION

Orderable Device	Status (1)	Package Type	Package Drawing	Pins	Package Qty	Eco Plan (2)	Lead finish/ Ball material (6)	MSL Peak Temp (3)	Op Temp (°C)	Device Marking (4/5)	Samples
TPS27S100APWPR	ACTIVE	HTSSOP	PWP	14	2000	RoHS & Green	NIPDAU	Level-3-260C-168 HR	-40 to 125	27S1A	Samples
TPS27S100APWPT	ACTIVE	HTSSOP	PWP	14	250	RoHS & Green	NIPDAU	Level-3-260C-168 HR	-40 to 125	27S1A	Samples
TPS27S100ARRKR	ACTIVE	WQFN	RRK	16	3000	RoHS & Green	NIPDAU	Level-1-260C-UNLIM	-40 to 125	27S100A	Samples
TPS27S100ARRKT	ACTIVE	WQFN	RRK	16	250	RoHS & Green	NIPDAU	Level-1-260C-UNLIM	-40 to 125	27S100A	Samples
TPS27S100BPWPR	ACTIVE	HTSSOP	PWP	14	2000	RoHS & Green	NIPDAU	Level-3-260C-168 HR	-40 to 125	27S1B	Samples
TPS27S100BPWPT	ACTIVE	HTSSOP	PWP	14	250	RoHS & Green	NIPDAU	Level-3-260C-168 HR	-40 to 125	27S1B	Samples
TPS27S100BRRKR	ACTIVE	WQFN	RRK	16	3000	RoHS & Green	NIPDAU	Level-1-260C-UNLIM	-40 to 125	27S100B	Samples
TPS27S100BRRKT	ACTIVE	WQFN	RRK	16	250	RoHS & Green	NIPDAU	Level-1-260C-UNLIM	-40 to 125	27S100B	Samples

(1) The marketing status values are defined as follows:

ACTIVE: Product device recommended for new designs.

LIFEBUY: TI has announced that the device will be discontinued, and a lifetime-buy period is in effect.

NRND: Not recommended for new designs. Device is in production to support existing customers, but TI does not recommend using this part in a new design.

PREVIEW: Device has been announced but is not in production. Samples may or may not be available.

OBSOLETE: TI has discontinued the production of the device.

(2) **RoHS:** TI defines "RoHS" to mean semiconductor products that are compliant with the current EU RoHS requirements for all 10 RoHS substances, including the requirement that RoHS substance do not exceed 0.1% by weight in homogeneous materials. Where designed to be soldered at high temperatures, "RoHS" products are suitable for use in specified lead-free processes. TI may reference these types of products as "Pb-Free".

RoHS Exempt: TI defines "RoHS Exempt" to mean products that contain lead but are compliant with EU RoHS pursuant to a specific EU RoHS exemption.

Green: TI defines "Green" to mean the content of Chlorine (Cl) and Bromine (Br) based flame retardants meet JS709B low halogen requirements of <=1000ppm threshold. Antimony trioxide based flame retardants must also meet the <=1000ppm threshold requirement.

(3) MSL, Peak Temp. - The Moisture Sensitivity Level rating according to the JEDEC industry standard classifications, and peak solder temperature.

(4) There may be additional marking, which relates to the logo, the lot trace code information, or the environmental category on the device.

(5) Multiple Device Markings will be inside parentheses. Only one Device Marking contained in parentheses and separated by a "~" will appear on a device. If a line is indented then it is a continuation of the previous line and the two combined represent the entire Device Marking for that device.

⁽⁶⁾ Lead finish/Ball material - Orderable Devices may have multiple material finish options. Finish options are separated by a vertical ruled line. Lead finish/Ball material values may wrap to two lines if the finish value exceeds the maximum column width.

Important Information and Disclaimer:The information provided on this page represents TI's knowledge and belief as of the date that it is provided. TI bases its knowledge and belief on information provided by third parties, and makes no representation or warranty as to the accuracy of such information. Efforts are underway to better integrate information from third parties. TI has taken and continues to take reasonable steps to provide representative and accurate information but may not have conducted destructive testing or chemical analysis on incoming materials and chemicals. TI and TI suppliers consider certain information to be proprietary, and thus CAS numbers and other limited information may not be available for release.

In no event shall TI's liability arising out of such information exceed the total purchase price of the TI part(s) at issue in this document sold by TI to Customer on an annual basis.

TAPE AND REEL INFORMATION

QUADRANT ASSIGNMENTS FOR PIN 1 ORIENTATION IN TAPE


*All dimensions are nominal

Device	Package Type	Package Drawing	Pins	SPQ	Reel Diameter (mm)	Reel Width W1 (mm)	A0 (mm)	B0 (mm)	K0 (mm)	P1 (mm)	W (mm)	Pin1 Quadrant
TPS27S100APWPR	HTSSOP	PWP	14	2000	330.0	12.4	6.9	5.6	1.6	8.0	12.0	Q1
TPS27S100ARRKR	WQFN	RRK	16	3000	330.0	12.4	3.8	4.3	1.5	8.0	12.0	Q1
TPS27S100ARRKT	WQFN	RRK	16	250	180.0	12.4	3.8	4.3	1.5	8.0	12.0	Q1
TPS27S100BPWPR	HTSSOP	PWP	14	2000	330.0	12.4	6.9	5.6	1.6	8.0	12.0	Q1
TPS27S100BRRKR	WQFN	RRK	16	3000	330.0	12.4	3.8	4.3	1.5	8.0	12.0	Q1
TPS27S100BRRKT	WQFN	RRK	16	250	180.0	12.4	3.8	4.3	1.5	8.0	12.0	Q1

TAPE AND REEL BOX DIMENSIONS


*All dimensions are nominal

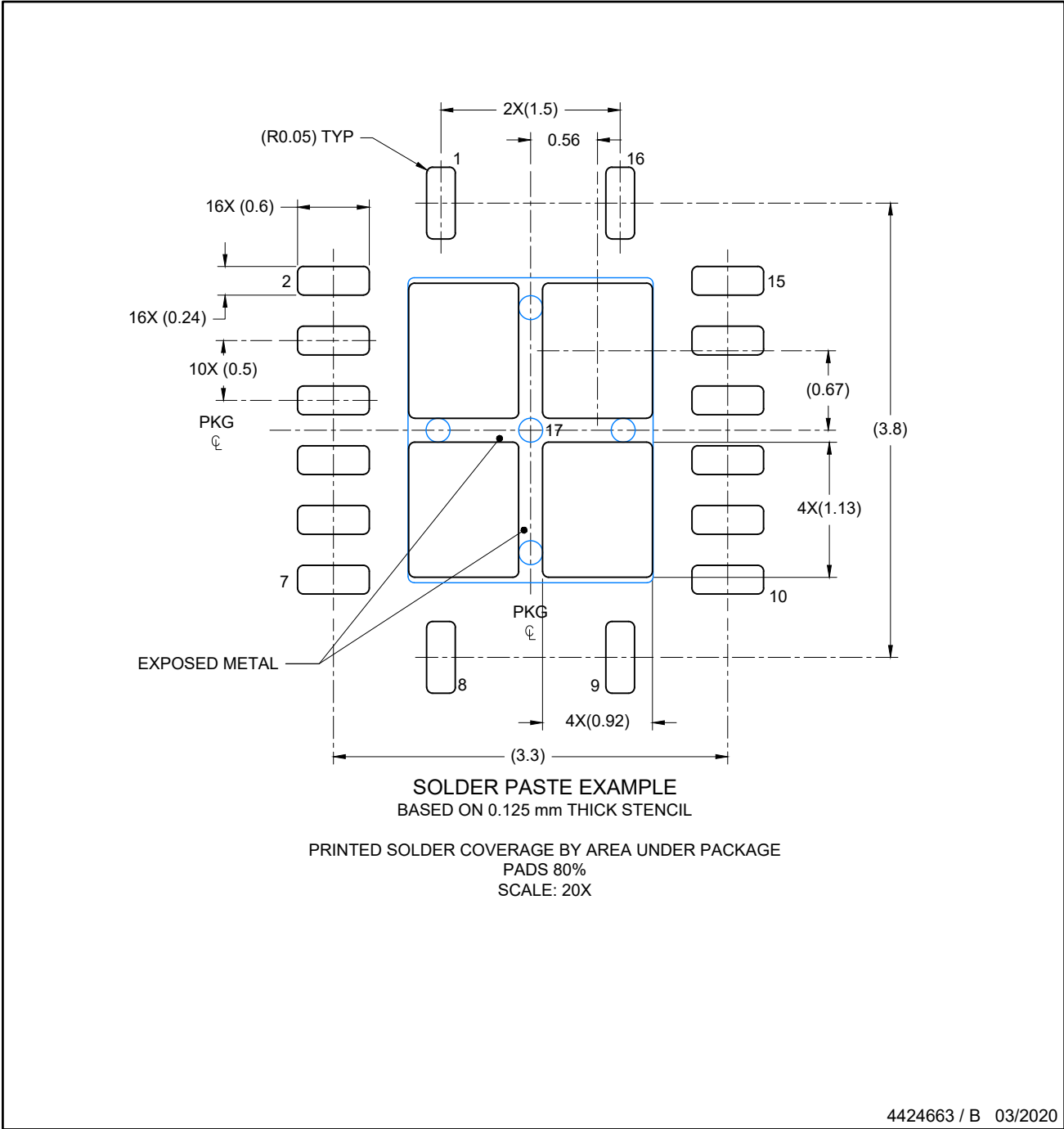
Device	Package Type	Package Drawing	Pins	SPQ	Length (mm)	Width (mm)	Height (mm)
TPS27S100APWPR	HTSSOP	PWP	14	2000	350.0	350.0	43.0
TPS27S100ARRKR	WQFN	RRK	16	3000	367.0	367.0	35.0
TPS27S100ARRKT	WQFN	RRK	16	250	210.0	185.0	35.0
TPS27S100BPWPR	HTSSOP	PWP	14	2000	350.0	350.0	43.0
TPS27S100BRRKR	WQFN	RRK	16	3000	367.0	367.0	35.0
TPS27S100BRRKT	WQFN	RRK	16	250	210.0	185.0	35.0

EXAMPLE STENCIL DESIGN

WQFN - 0.8 mm max height

RRK0016A

PLASTIC QUAD FLATPACK- NO LEAD



NOTES: (continued)

- 5. Laser cutting apertures with trapezoidal walls and rounded corners may offer better paste release. IPC-7525 may have alternate design recommendations..

GENERIC PACKAGE VIEW

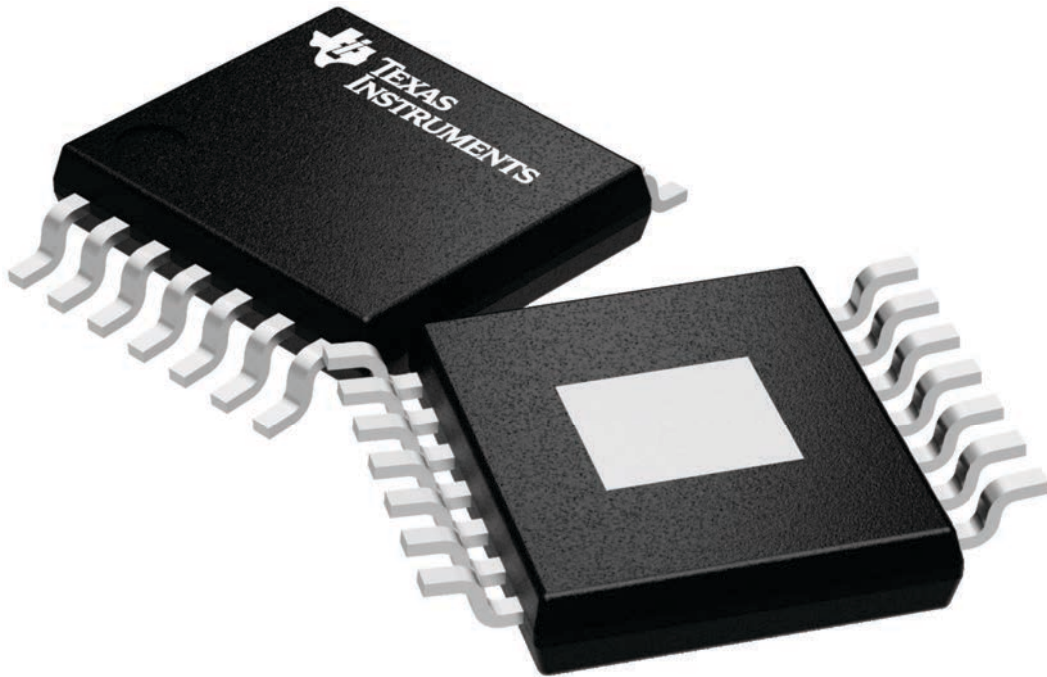
PWP 14

PowerPAD TSSOP - 1.2 mm max height

4.4 x 5.0, 0.65 mm pitch

PLASTIC SMALL OUTLINE

This image is a representation of the package family, actual package may vary.
Refer to the product data sheet for package details.



4224995/A

重要なお知らせと免責事項

TI は、技術データと信頼性データ（データシートを含みます）、設計リソース（リファレンス・デザインを含みます）、アプリケーションや設計に関する各種アドバイス、Web ツール、安全性情報、その他のリソースを、欠陥が存在する可能性のある「現状のまま」提供しており、商品性および特定目的に対する適合性の黙示保証、第三者の知的財産権の非侵害保証を含むいかなる保証も、明示的または黙示的にかかわらず拒否します。

これらのリソースは、TI 製品を使用する設計の経験を積んだ開発者への提供を意図したものです。(1) お客様のアプリケーションに適した TI 製品の選定、(2) お客様のアプリケーションの設計、検証、試験、(3) お客様のアプリケーションに該当する各種規格や、その他のあらゆる安全性、セキュリティ、規制、または他の要件への確実な適合に関する責任を、お客様のみが単独で負うものとし、

上記の各種リソースは、予告なく変更される可能性があります。これらのリソースは、リソースで説明されている TI 製品を使用するアプリケーションの開発の目的でのみ、TI はその使用をお客様に許諾します。これらのリソースに関して、他の目的で複製することや掲載することは禁止されています。TI や第三者の知的財産権のライセンスが付与されている訳ではありません。お客様は、これらのリソースを自身で使用した結果発生するあらゆる申し立て、損害、費用、損失、責任について、TI およびその代理人を完全に補償するものとし、TI は一切の責任を拒否します。

TI の製品は、[TI の販売条件](#)、または [ti.com](#) やかかる TI 製品の関連資料などのいずれかを通じて提供する適用可能な条項の下で提供されています。TI がこれらのリソースを提供することは、適用される TI の保証または他の保証の放棄の拡大や変更を意味するものではありません。

お客様がいかなる追加条項または代替条項を提案した場合でも、TI はそれらに異議を唱え、拒否します。

郵送先住所：Texas Instruments, Post Office Box 655303, Dallas, Texas 75265
Copyright © 2024, Texas Instruments Incorporated