

# TPA6211T-Q1 車載用、3.1W モノラル、アナログ入力、クラス AB オーディオ アンプ

## 1 特長

- 車載アプリケーション向けに AEC-Q100 認定済み
  - デバイス温度グレード 2:  $-40^{\circ}\text{C} \sim 105^{\circ}\text{C}$
  - デバイス HBM ESD 分類レベル 2
  - デバイス CDM ESD 分類レベル C6
- 5V 電源から  $3\Omega \sim 3.1\text{W}$  (THD = 10%、標準値)
- 低い消費電流: 5V で 4mA (標準値)
- シャットダウン電流:  $0.01\mu\text{A}$  (標準値)
- 最小限のポップ音で高速起動
- 3 個のみの外付け部品
  - PSRR の向上 (80dB) と広い電源電圧範囲 (2.5V ~ 5.5V) によりバッテリーで直接動作可能
  - 完全差動設計により RF 整流を低減
  - 63dB の CMRR により 2 つの入力カップリング コンデンサが不要

## 2 アプリケーション

- 車載オーディオ
- 緊急通報
- ドライバーへの通知機能
- クラスタ・チャイム

## 3 概要

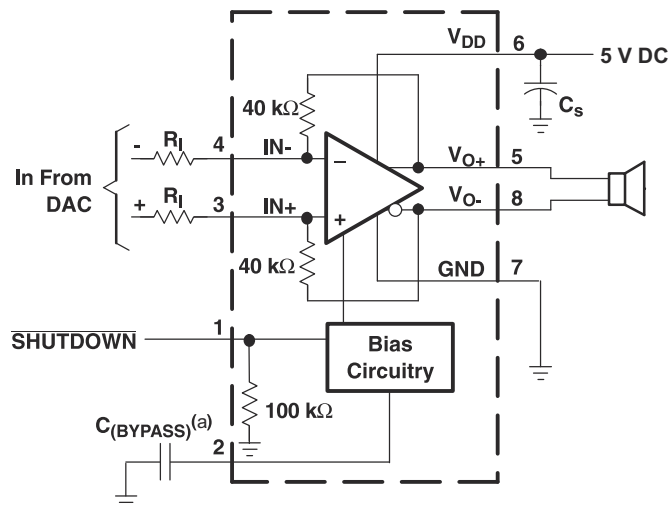
TPA6211T-Q1 デバイスは、ほとんどの用途でプリント基板 (PCB) の占有面積がわずか  $20\text{mm}^2$  でありながら、最低  $3\Omega$  のインピーダンスのスピーカを駆動するように設計された 3.1W モノラル完全差動アンプです。本デバイスは 2.5V ~ 5.5V で動作し、静止電流はわずか 4mA です。TPA6211T-Q1 デバイスは省スペースの 8 ピン HVSSOP パッケージで供給されます。

20Hz ~ 2kHz で 80dB の電源電圧除去比、RF 整流耐性の向上、小さな PCB 占有面積、最小限のポップ音での高速起動といった特長を持つ TPA6211T-Q1 デバイスは、緊急通報用途に優れた選択肢です。また、クラスタ チャイムやドライバーへの通知機能など、インフォテインメント/クラスタ用途の低消費電力ニーズにも対応します。

### 製品情報

部品番号	パッケージ (1)	パッケージ サイズ (2)	本体サイズ (公称)
TPA6211T-Q1	HVSSOP (8)	3mm × 4.9mm	3mm × 3mm

- 利用可能なすべてのパッケージについては、データシートの末尾にある注文情報を参照してください。
- パッケージサイズ (長さ × 幅) は公称値であり、該当する場合はピンも含まれます。



A.  $C_{\text{BYPASS}}$  の接続は任意です

## アプリケーション回路



## Table of Contents

<b>1 特長</b> .....	1	6.3 Feature Description.....	13
<b>2 アプリケーション</b> .....	1	6.4 Device Functional Modes.....	18
<b>3 概要</b> .....	1	<b>7 Application and Implementation</b> .....	19
<b>4 Pin Configuration and Functions</b> .....	3	7.1 Application Information.....	19
<b>5 Specifications</b> .....	4	7.2 Typical Applications.....	19
5.1 Absolute Maximum Ratings.....	4	7.3 Power Supply Recommendations.....	24
5.2 ESD Ratings.....	4	7.4 Layout.....	25
5.3 Recommended Operating Conditions.....	4	<b>8 Device and Documentation Support</b> .....	26
5.4 Thermal Information.....	4	8.1 Receiving Notification of Documentation Updates....	26
5.5 Electrical Characteristics.....	5	8.2 Community Resources.....	26
5.6 Operating Characteristics.....	6	8.3 Trademarks.....	26
5.7 Dissipation Ratings.....	6	<b>9 Revision History</b> .....	26
<b>6 Detailed Description</b> .....	13	<b>10 Mechanical, Packaging, and Orderable Information</b> .....	26
6.1 Overview.....	13		
6.2 Functional Block Diagram.....	13		

## 4 Pin Configuration and Functions

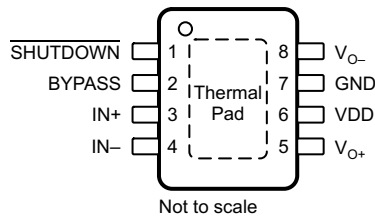


図 4-1. DGN Package, 8-Pin HVSSOP (Top View)

表 4-1. Pin Functions

PIN		I/O <sup>1</sup>	DESCRIPTION
NAME	NO.		
BYPASS	2	I	Mid-supply voltage, adding a bypass capacitor improves PSRR
GND	7	I	High-current ground
IN-	4	I	Negative differential input
IN+	3	I	Positive differential input
SHUTDOWN	1	I	Shutdown pin (active low logic)
Thermal Pad	—	—	Connect to ground. Thermal pad must be soldered down in all applications to properly secure device on the PCB.
V <sub>DD</sub>	6	I	Power supply
V <sub>O+</sub>	5	O	Positive BTL output
V <sub>O-</sub>	8	O	Negative BTL output

1. I = Input, O = Output

## 5 Specifications

### 5.1 Absolute Maximum Ratings

over operating free-air temperature range unless otherwise noted<sup>(1)</sup>

		MIN	MAX	UNIT
Supply voltage, $V_{DD}$		-0.3	6	V
Input voltage, $V_I$		-0.3	$V_{DD} + 0.3$ V	V
Continuous total power dissipation		See <a href="#">セクション 5.7</a>		
Lead temperature 1.6 mm (1/16 Inch) from case for 10 s		DGN	260	°C
Operating free-air temperature, $T_A$		-40	105	°C
Junction temperature, $T_J$		-40	150	°C
Storage temperature, $T_{stg}$		-65	150	°C

- (1) Stresses beyond those listed under *Absolute Maximum Ratings* may cause permanent damage to the device. These are stress ratings only, which do not imply functional operation of the device at these or any other conditions beyond those indicated under [セクション 5.3](#). Exposure to absolute-maximum-rated conditions for extended periods may affect device reliability.

### 5.2 ESD Ratings

			VALUE	UNIT
$V_{(ESD)}$	Electrostatic discharge	Human-body model (HBM), per AEC Q100-002 <sup>(1)</sup>	±2000	V
		Charged-device model (CDM), per AEC Q100-011	±1000	

- (1) AEC Q100-002 indicates that HBM stressing shall be in accordance with the ANSI/ESDA/JEDEC JS-001 specification.

### 5.3 Recommended Operating Conditions

		MIN	MAX	UNIT
$V_{DD}$	Supply voltage	2.5	5.5	V
$V_{IH}$	High-level input voltage	SHUTDOWN	1.55	V
$V_{IL}$	Low-level input voltage	SHUTDOWN	0.5	V
$T_A$	Operating free-air temperature	-40	105	°C

### 5.4 Thermal Information

THERMAL METRIC <sup>(1)</sup>		TPA6211T-Q1	UNIT
		DGN (HVSSOP)	
		8 PINS	
$R_{\theta JA}$	Junction-to-ambient thermal resistance	53.9	°C/W
$R_{\theta JC(top)}$	Junction-to-case (top) thermal resistance	72.7	°C/W
$R_{\theta JB}$	Junction-to-board thermal resistance	26.4	°C/W
$\psi_{JT}$	Junction-to-top characterization parameter	3.5	°C/W
$\psi_{JB}$	Junction-to-board characterization parameter	26.3	°C/W
$R_{\theta JC(bot)}$	Junction-to-case (bottom) thermal resistance	10.2	°C/W

- (1) For more information about traditional and new thermal metrics, see the [Semiconductor and IC Package Thermal Metrics](#) application report.

## 5.5 Electrical Characteristics

T<sub>A</sub> = 25°C unless otherwise noted

PARAMETER		TEST CONDITIONS	MIN	TYP	MAX	UNIT
V <sub>OS</sub>	Output offset voltage (measured differentially)	V <sub>I</sub> = 0-V differential, Gain = 1 V/V, V <sub>DD</sub> = 5.5 V	-9	0.3	9	mV
PSRR	Power supply rejection ratio	V <sub>DD</sub> = 2.5 V to 5.5 V		-85	-60	dB
V <sub>IC</sub>	Common mode input range	V <sub>DD</sub> = 2.5 V to 5.5 V	0.5		V <sub>DD</sub> - 0.8	V
CMRR	Common mode rejection ratio	V <sub>DD</sub> = 5.5 V, V <sub>IC</sub> = 0.5 V to 4.7 V		-63	-40	dB
		V <sub>DD</sub> = 2.5 V, V <sub>IC</sub> = 0.5 V to 1.7 V		-63	-40	
Low-output swing	R <sub>L</sub> = 4 Ω, V <sub>IN+</sub> = V <sub>DD</sub> , V <sub>IN+</sub> = 0 V, Gain = 1 V/V, V <sub>IN-</sub> = 0 V or V <sub>IN-</sub> = V <sub>DD</sub>	V <sub>DD</sub> = 5.5 V		0.45		V
		V <sub>DD</sub> = 3.6 V		0.37		
		V <sub>DD</sub> = 2.5 V		0.26	0.4	
Low-output swing (only for TPA6211HTDGNRQ1)	R <sub>L</sub> = 4 Ω, V <sub>IN+</sub> = V <sub>DD</sub> , V <sub>IN+</sub> = 0 V, Gain = 1 V/V, V <sub>IN-</sub> = 0 V or V <sub>IN-</sub> = V <sub>DD</sub> T <sub>A</sub> = 105°C	V <sub>DD</sub> = 2.5 V			0.46	
High-output swing	R <sub>L</sub> = 4 Ω, V <sub>IN+</sub> = V <sub>DD</sub> , V <sub>IN-</sub> = V <sub>DD</sub> , Gain = 1 V/V, V <sub>IN-</sub> = 0 V or V <sub>IN+</sub> = 0 V	V <sub>DD</sub> = 5.5 V		4.95		V
		V <sub>DD</sub> = 3.6 V		3.18		
		V <sub>DD</sub> = 2.5 V	2	2.13		
High-output swing (only for TPA6211HTDGNRQ1)	R <sub>L</sub> = 4 Ω, V <sub>IN+</sub> = V <sub>DD</sub> , V <sub>IN-</sub> = V <sub>DD</sub> , Gain = 1 V/V, V <sub>IN-</sub> = 0 V or V <sub>IN+</sub> = 0 V T <sub>A</sub> = 105°C	V <sub>DD</sub> = 2.5 V	1.95			
I <sub>IH</sub>	High-level input current, shutdown	V <sub>DD</sub> = 5.5 V, V <sub>I</sub> = 5.8 V		58	100	μA
I <sub>IH</sub>	High-level input current, shutdown (only for TPA6211HTDGNRQ1)	V <sub>DD</sub> = 5.5 V, V <sub>I</sub> = 5.8 V T <sub>A</sub> = 105°C			115	μA
I <sub>IL</sub>	Low-level input current, shutdown	V <sub>DD</sub> = 5.5 V, V <sub>I</sub> = -0.3 V		3	100	μA
I <sub>IL</sub>	Low-level input current, shutdown (only for TPA6211HTDGNRQ1)	V <sub>DD</sub> = 5.5 V, V <sub>I</sub> = -0.3 V T <sub>A</sub> = 105°C			115	μA
I <sub>Q</sub>	Quiescent current	V <sub>DD</sub> = 2.5 V to 5.5 V, no load		4	5	mA
I <sub>Q</sub>	Quiescent current (only for TPA6211HTDGNRQ1)	V <sub>DD</sub> = 2.5 V to 5.5 V, no load T <sub>A</sub> = 105°C			5.7	mA
I <sub>(SD)</sub>	Supply current	V <sub>SHUTDOWN</sub> ≤ 0.5 V, V <sub>DD</sub> = 2.5 V to 5.5 V, R <sub>L</sub> = 4 Ω		0.01	1	μA
I <sub>(SD)</sub>	Supply current (only for TPA6211HTDGNRQ1)	V <sub>SHUTDOWN</sub> ≤ 0.5 V, V <sub>DD</sub> = 2.5 V to 5.5 V, R <sub>L</sub> = 4 Ω T <sub>A</sub> = 105°C			1.25	μA
Gain		R <sub>L</sub> = 4 Ω	$\frac{38 \text{ k}\Omega}{R_i}$	$\frac{40 \text{ k}\Omega}{R_i}$	$\frac{42 \text{ k}\Omega}{R_i}$	V/V
Gain (only for TPA6211HTDGNRQ1)		R <sub>L</sub> = 4 Ω T <sub>A</sub> = 105°C			$\frac{44.4 \text{ k}\Omega}{R_i}$	V/V
Resistance from shutdown to GND				100		kΩ

## 5.6 Operating Characteristics

 $T_A = 25^\circ\text{C}$ , Gain = 1 V/V

PARAMETER		TEST CONDITIONS		MIN	TYP	MAX	UNIT
$P_O$	Output power	THD + N = 1%, $f = 1\text{ kHz}$ , $R_L = 3\ \Omega$	$V_{DD} = 5\text{ V}$		2.45		W
			$V_{DD} = 3.6\text{ V}$		1.22		
			$V_{DD} = 2.5\text{ V}$		0.49		
		THD + N = 1%, $f = 1\text{ kHz}$ , $R_L = 4\ \Omega$	$V_{DD} = 5\text{ V}$		2.22		
			$V_{DD} = 3.6\text{ V}$		1.1		
			$V_{DD} = 2.5\text{ V}$		0.47		
		THD + N = 1%, $f = 1\text{ kHz}$ , $R_L = 8\ \Omega$	$V_{DD} = 5\text{ V}$		1.36		
			$V_{DD} = 3.6\text{ V}$		0.72		
			$V_{DD} = 2.5\text{ V}$		0.33		
THD+N	Total harmonic distortion plus noise	$f = 1\text{ kHz}$ , $R_L = 3\ \Omega$	$P_O = 2\text{ W}$ , $V_{DD} = 5\text{ V}$		0.045%		
			$P_O = 1\text{ W}$ , $V_{DD} = 3.6\text{ V}$		0.05%		
			$P_O = 300\text{ mW}$ , $V_{DD} = 2.5\text{ V}$		0.06%		
		$f = 1\text{ kHz}$ , $R_L = 4\ \Omega$	$P_O = 1.8\text{ W}$ , $V_{DD} = 5\text{ V}$		0.03%		
			$P_O = 0.7\text{ W}$ , $V_{DD} = 3.6\text{ V}$		0.03%		
			$P_O = 300\text{ mW}$ , $V_{DD} = 2.5\text{ V}$		0.04%		
		$f = 1\text{ kHz}$ , $R_L = 8\ \Omega$	$P_O = 1\text{ W}$ , $V_{DD} = 5\text{ V}$		0.02%		
			$P_O = 0.5\text{ W}$ , $V_{DD} = 3.6\text{ V}$		0.02%		
			$P_O = 200\text{ mW}$ , $V_{DD} = 2.5\text{ V}$		0.03%		
$k_{SVR}$	Supply ripple rejection ratio	$V_{DD} = 3.6\text{ V}$ , Inputs AC-grounded with $C_I = 2\ \mu\text{F}$ , $V_{RIPPLE} = 200\text{ mV}_{pp}$	$f = 217\text{ Hz}$		-80		dB
			$f = 20\text{ Hz to } 20\text{ kHz}$		-70		
SNR	Signal-to-noise ratio	$V_{DD} = 5\text{ V}$ , $P_O = 2\text{ W}$ , $R_L = 4\ \Omega$			105		dB
$V_n$	Output voltage noise	$V_{DD} = 3.6\text{ V}$ , $f = 20\text{ Hz to } 20\text{ kHz}$ , Inputs AC-grounded with $C_I = 2\ \mu\text{F}$	No weighting		15		$\mu\text{V}_{RMS}$
			A weighting		12		
CMRR	Common mode rejection ratio	$V_{DD} = 3.6\text{ V}$ , $V_{IC} = 1\text{ V}_{pp}$	$f = 217\text{ Hz}$		-65		dB
$Z_I$	Input impedance			38	40	44	k $\Omega$
					4		$\mu\text{s}$
	Start-up time from shutdown	$V_{DD} = 3.6\text{ V}$ , No $C_{BYPASS}$			4		$\mu\text{s}$
		$V_{DD} = 3.6\text{ V}$ , $C_{BYPASS} = 0.1\ \mu\text{F}$			27		ms

## 5.7 Dissipation Ratings

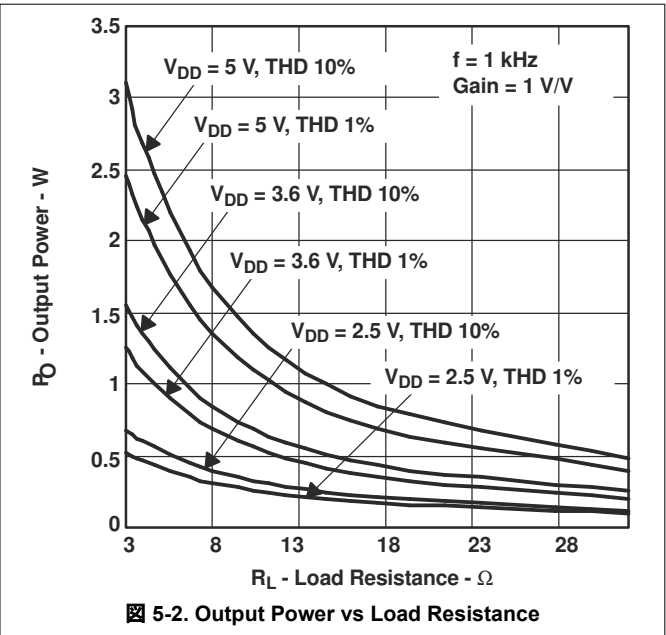
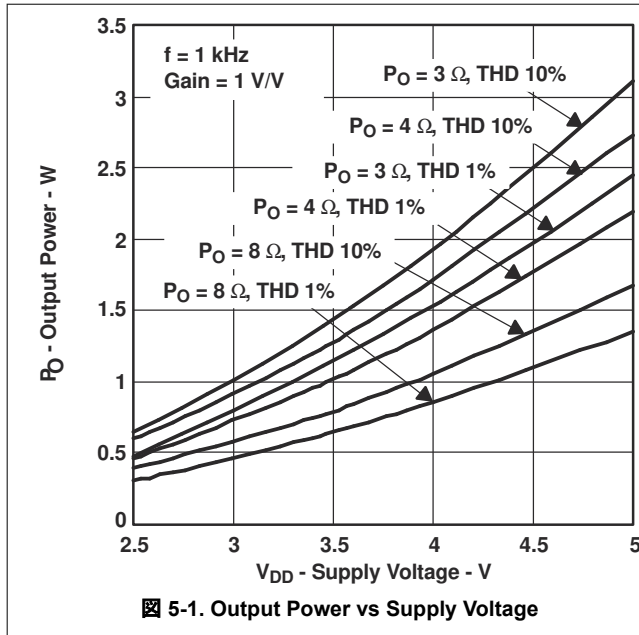
PACKAGE	$T_A \leq 25^\circ\text{C}$ POWER RATING	DERATING FACTOR <sup>(1)</sup>	$T_A = 70^\circ\text{C}$ POWER RATING	$T_A = 85^\circ\text{C}$ POWER RATING
DGN	2.13 W	17.1 mW/ $^\circ\text{C}$	1.36 W	1.11 W

(1) Derating factor based on High-k board layout.

## Typical Characteristics

表 5-1. Table of Graphs

		FIGURE
Output power	vs Supply voltage	☒ 5-1
	vs Load resistance	☒ 5-2
Power dissipation	vs Output power	☒ 5-3, ☒ 5-4
Total harmonic distortion + noise	vs Output power	☒ 5-5, ☒ 5-6, ☒ 5-7
	vs Frequency	☒ 5-8, ☒ 5-9, ☒ 5-10, ☒ 5-11, ☒ 5-12
	vs Common-mode input voltage	☒ 5-13
Supply voltage rejection ratio	vs Frequency	☒ 5-14, ☒ 5-15, ☒ 5-16, ☒ 5-17
Supply voltage rejection ratio	vs Common-mode input voltage	☒ 5-18
GSM Power supply rejection	vs Time	☒ 5-19
GSM Power supply rejection	vs Frequency	☒ 5-20
Common-mode rejection ratio	vs Frequency	☒ 5-21
	vs Common-mode input voltage	☒ 5-22
Closed loop gain/phase	vs Frequency	☒ 5-23
Open loop gain/phase	vs Frequency	☒ 5-24
Supply current	vs Supply voltage	☒ 5-25
	vs Shutdown voltage	☒ 5-26
Start-up time	vs Bypass capacitor	☒ 5-27



## Typical Characteristics

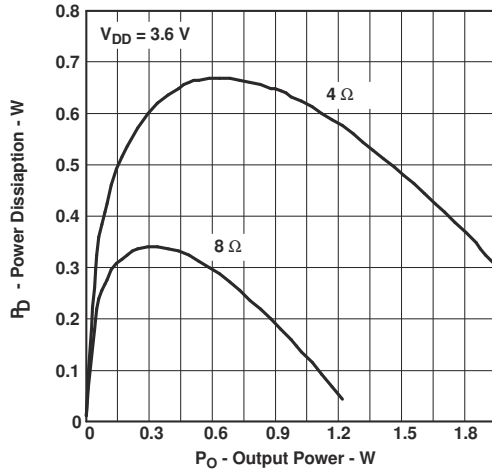


Figure 5-3. Power Dissipation vs Output Power

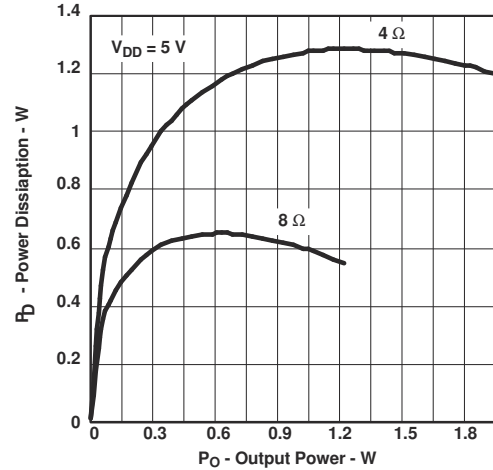


Figure 5-4. Power Dissipation vs Output Power

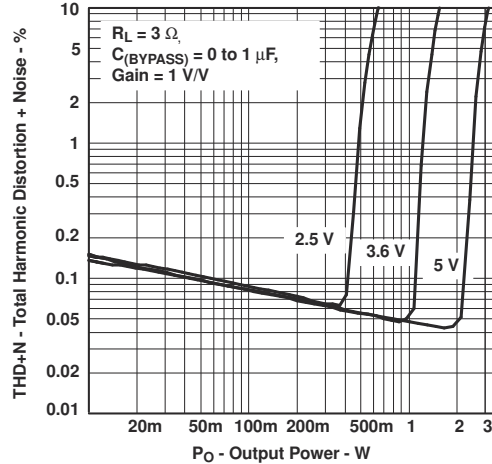


Figure 5-5. Total Harmonic Distortion + Noise vs Output Power

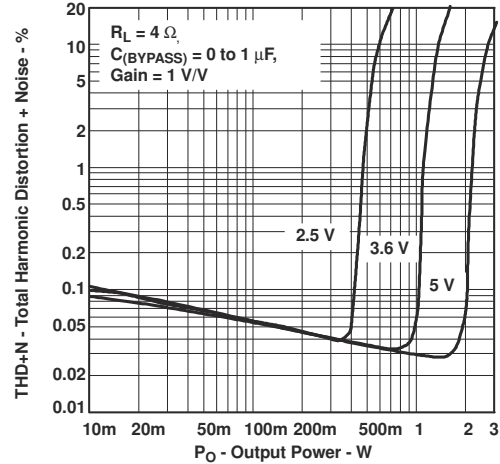


Figure 5-6. Total Harmonic Distortion + Noise vs Output Power

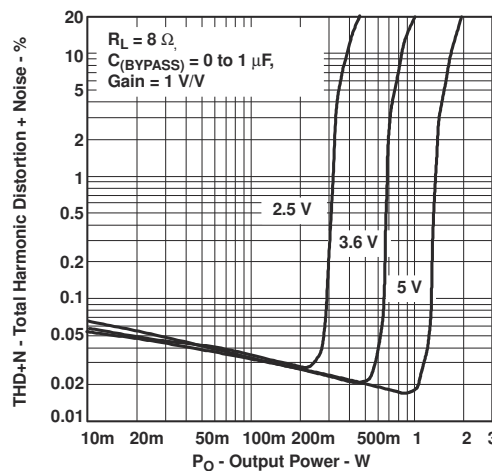


Figure 5-7. Total Harmonic Distortion + Noise vs Output Power

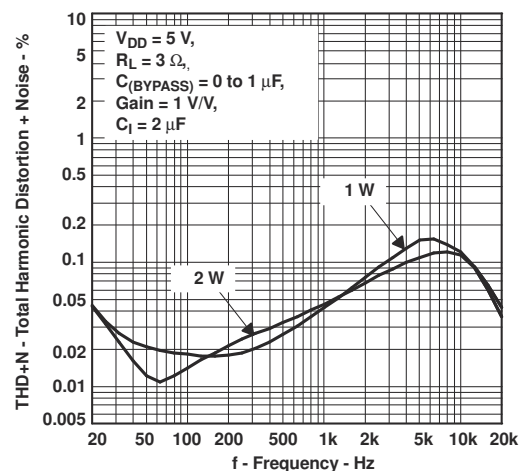
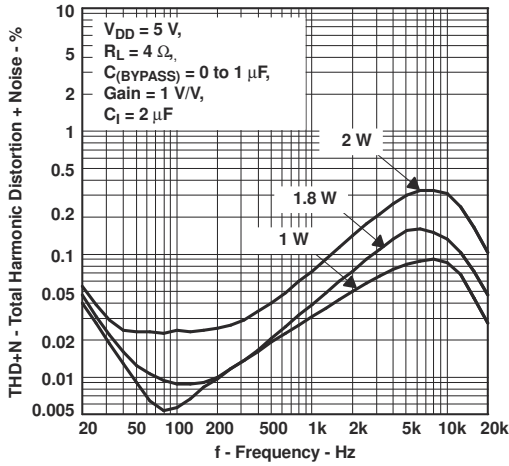


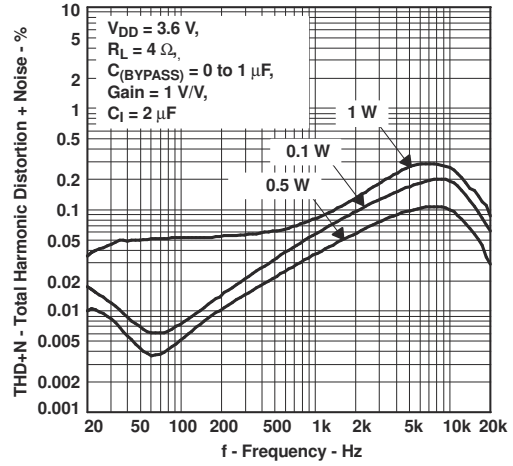
Figure 5-8. Total Harmonic Distortion + Noise vs Frequency



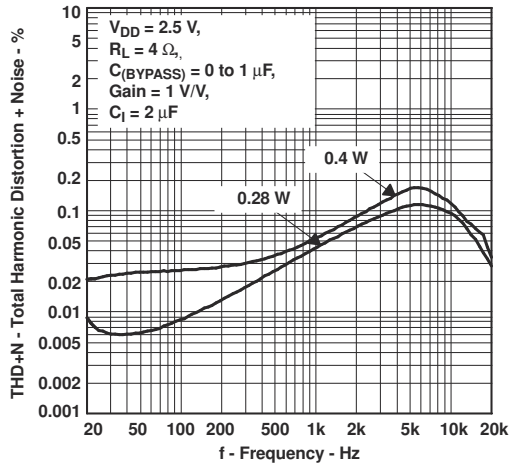
## Typical Characteristics



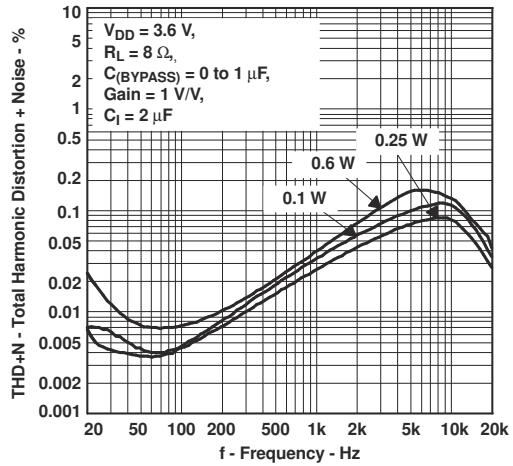
5-9. Total Harmonic Distortion + Noise vs Frequency



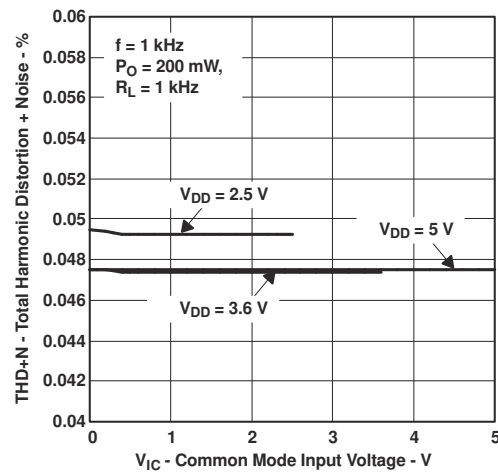
5-10. Total Harmonic Distortion + Noise vs Frequency



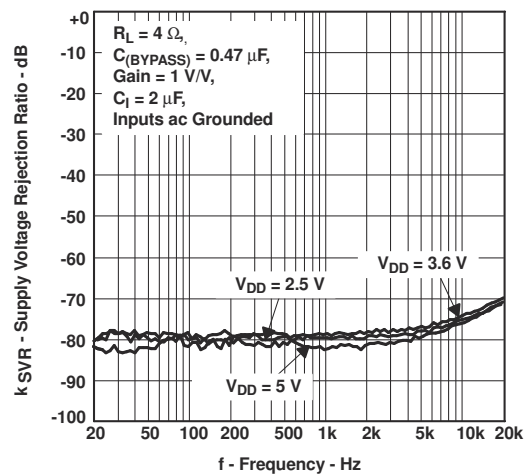
5-11. Total Harmonic Distortion + Noise vs Frequency



5-12. Total Harmonic Distortion + Noise vs Frequency

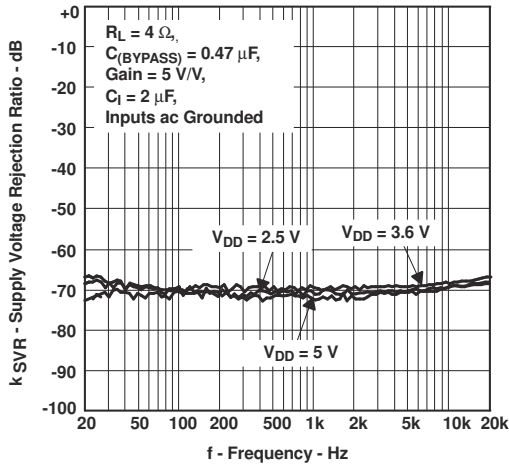


5-13. Total Harmonic Distortion + Noise vs Common-Mode Input Voltage

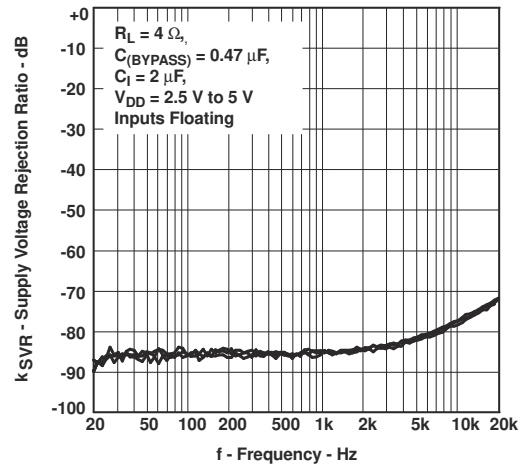


5-14. Supply Voltage Rejection Ratio vs Frequency

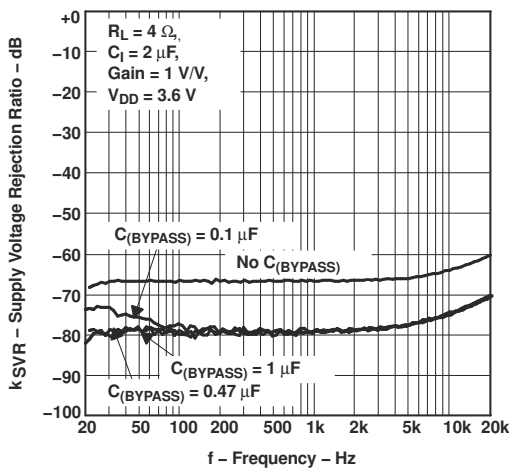
## Typical Characteristics



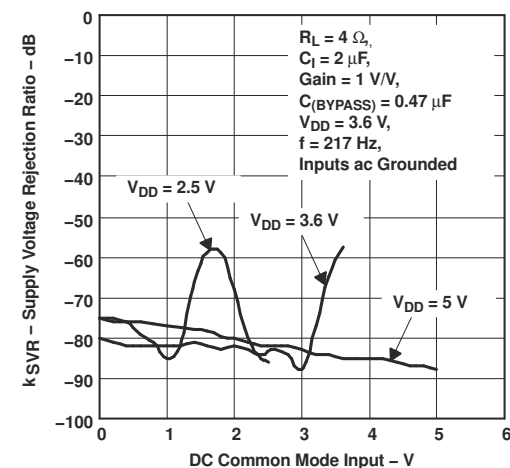
5-15. Supply Voltage Rejection Ratio vs Frequency



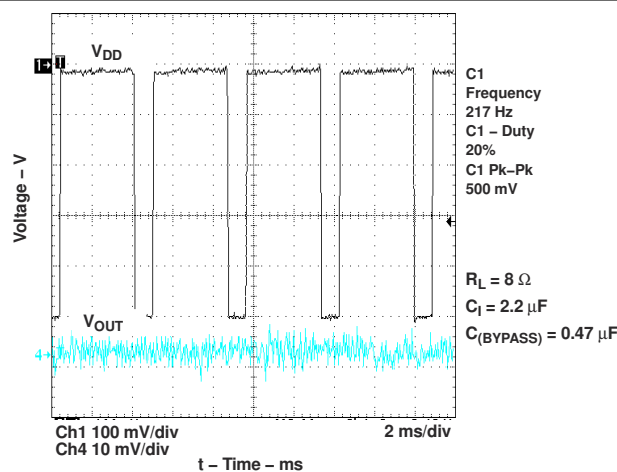
5-16. Supply Ripple Rejection Ratio vs Frequency



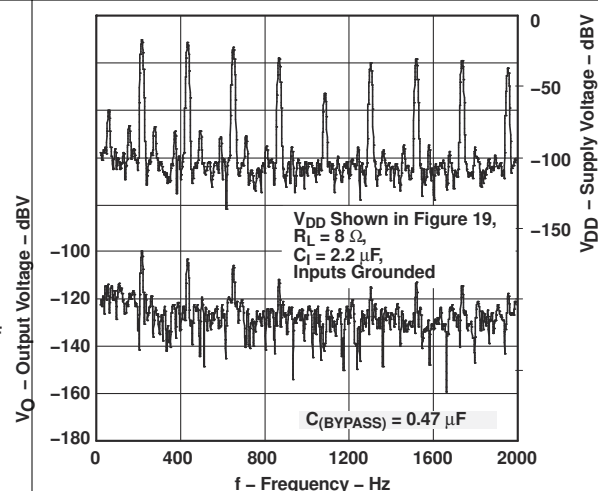
5-17. Supply Voltage Rejection Ratio vs Frequency



5-18. Supply Voltage Rejection Ratio vs DC Common-Mode Input

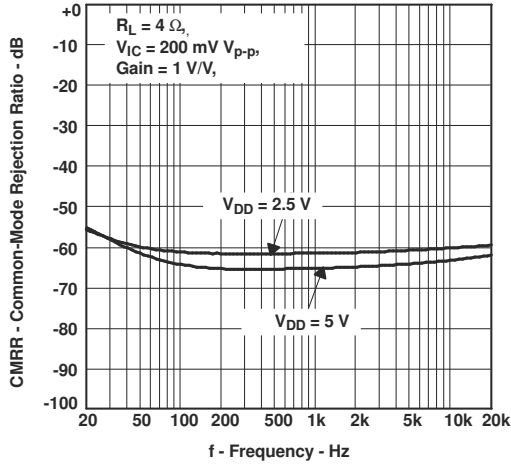


5-19. GSM Power Supply Rejection vs Time

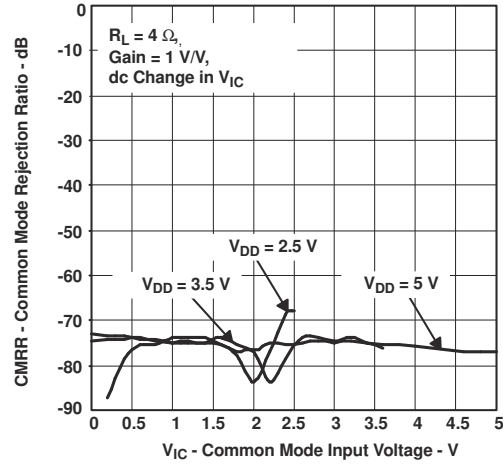


5-20. GSM Power Supply Rejection vs Frequency

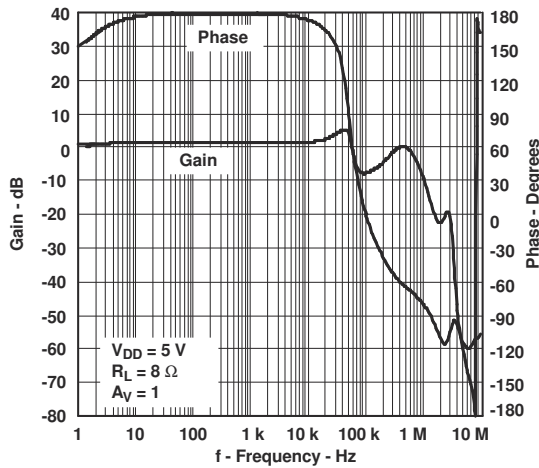
## Typical Characteristics



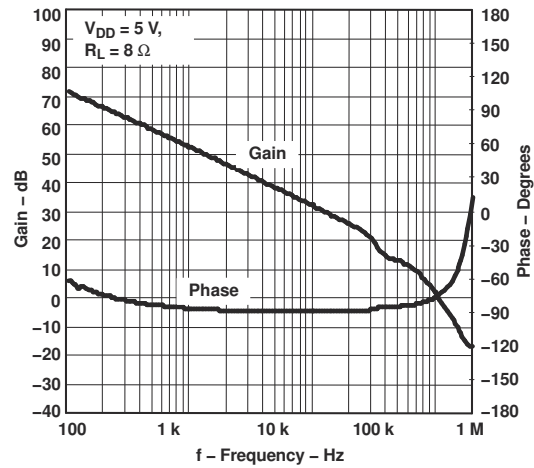
5-21. Common-Mode Rejection Ratio vs Frequency



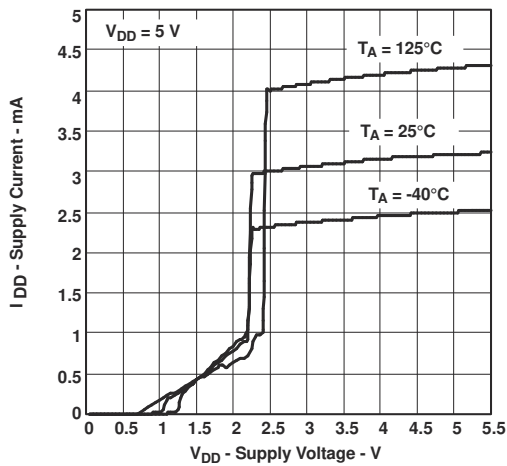
5-22. Common-Mode Rejection Ratio vs Common-Mode Input Voltage



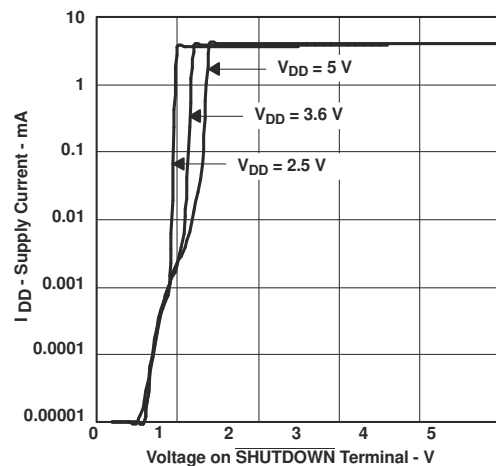
5-23. Closed Loop Gain/Phase vs Frequency



5-24. Open Loop Gain/Phase vs Frequency

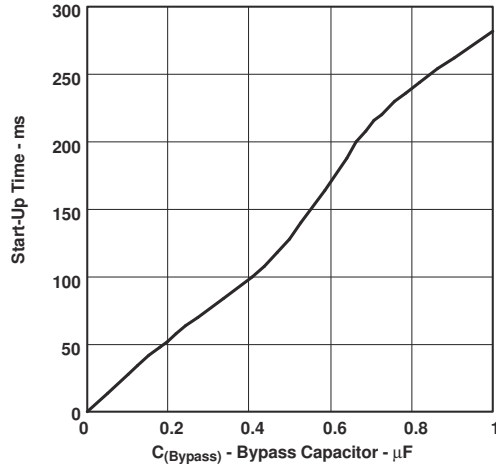


5-25. Supply Current vs Supply Voltage



5-26. Supply Current vs Shutdown Voltage

## Typical Characteristics



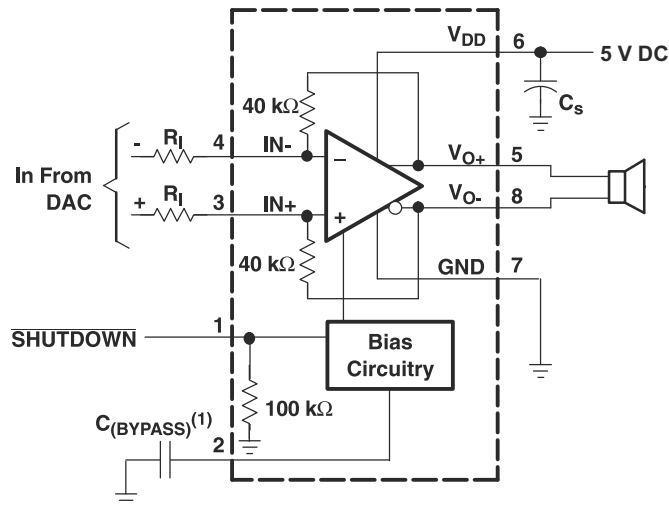
5-27. Start-up Time vs Bypass Capacitor

## 6 Detailed Description

### 6.1 Overview

The TPA6211T-Q1 device is a fully differential amplifier with differential inputs and outputs. The fully differential amplifier consists of a differential amplifier and a common-mode amplifier. The differential amplifier ensures that the amplifier outputs a differential voltage that is equal to the differential input times the gain. The common-mode feedback ensures that the common-mode voltage at the output is biased around  $V_{DD} / 2$  regardless of the common-mode voltage at the input.

### 6.2 Functional Block Diagram



A.  $C_{(BYPASS)}$  is optional

### 6.3 Feature Description

#### 6.3.1 Advantages of Fully Differential Amplifiers

Input coupling capacitors are not required. A fully differential amplifier with good CMRR, such as the TPA6211T-Q1 device, allows the inputs to be biased at voltage other than mid-supply. For example, if a DAC has a lower mid-supply voltage than that of the TPA6211T-Q1 device, the common-mode feedback circuit compensates, and the outputs are still biased at the mid-supply point of the TPA6211T-Q1 device. The inputs of the TPA6211T-Q1 device can be biased from 0.5V to  $V_{DD} - 0.8V$ . If the inputs are biased outside of that range, input coupling capacitors are required.

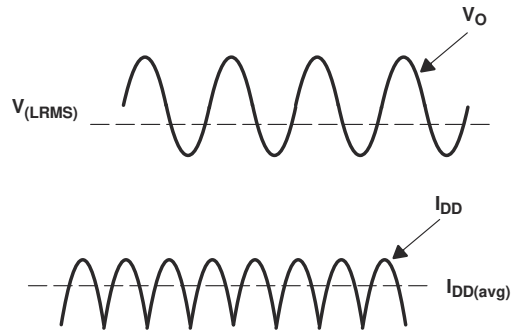
A Mid-supply bypass capacitor,  $C_{BYPASS}$ , is not required. The fully differential amplifier does not require a bypass capacitor. Any shift in the mid-supply voltage affects both positive and negative channels equally, thus canceling at the differential output. Removing the bypass capacitor slightly worsens power supply rejection ratio ( $k_{SVR}$ ), but a slight decrease of  $k_{SVR}$  can be acceptable when an additional component can be eliminated (see [Figure 5-17](#)).

The RF-immunity is improved. A fully differential amplifier cancels the noise from RF disturbances much better than the typical audio amplifier.

#### 6.3.2 Fully Differential Amplifier Efficiency and Thermal Information

Class-AB amplifiers are inefficient, primarily because of voltage drop across the output-stage transistors. The two components of this internal voltage drop are the headroom or DC voltage drop that varies inversely to output power, and the sinewave nature of the output. The total voltage drop can be calculated by subtracting the RMS value of the output voltage from  $V_{DD}$ . The internal voltage drop multiplied by the average value of the supply current,  $I_{DD}(avg)$ , determines the internal power dissipation of the amplifier.

An easy-to-use equation to calculate efficiency starts out as being equal to the ratio of power from the power supply to the power delivered to the load. To accurately calculate the RMS and average values of power in the load and in the amplifier, the current and voltage waveform shapes must first be understood (see [Figure 6-1](#)).



**Figure 6-1. Voltage and Current Waveforms for BTL Amplifiers**

Although the voltages and currents for SE and BTL are sinusoidal in the load, currents from the supply are different between SE and BTL configurations. In an SE application the current waveform is a half-wave rectified shape, whereas in BTL the current waveform is a full-wave rectified waveform. This means RMS conversion factors are different. Keep in mind that for most of the waveform both the push and pull transistors are not on at the same time, which supports the fact that each amplifier in the BTL device only draws current from the supply for half the waveform. [Equation 1](#) to [Equation 10](#) are the basis for calculating amplifier efficiency.

$$\eta_{\text{BTL}} = \frac{P_L}{P_{\text{SUP}}} \quad (1)$$

where

- $\eta_{\text{BTL}}$  is the efficiency of a BTL amplifier
- $P_L$  is the power delivered to load
- $P_{\text{SUP}}$  is the power drawn from power supply

$P_L$  is calculated with [Equation 2](#), and  $V_{\text{LRMS}}$  is calculated with [Equation 3](#).

$$P_L = \frac{V_{\text{LRMS}}^2}{R_L} \quad (2)$$

where

- $V_{\text{LRMS}}$  = RMS voltage on BTL load
- $R_L$  is load resistance

$$V_{\text{LRMS}} = \frac{V_P}{\sqrt{2}} \quad (3)$$

where

- $V_P$  is peak voltage on BTL load

Therefore,  $P_L$  can be given as [Equation 4](#).

$$P_L = \frac{V_P^2}{2 \times R_L} \quad (4)$$

$P_{SUP}$  is calculated with 式 5.

$$P_{SUP} = V_{DD} \times I_{DDavg} \tag{5}$$

where

- $V_{DD}$  is power supply voltage
- $I_{DDavg}$  is average current drawn from the power supply

$I_{DDavg}$  is calculated with 式 6.

$$I_{DDavg} = \frac{1}{\pi} \int_0^{\pi} \frac{V_P}{R_L} \times \sin(t) \times dt = -\frac{1}{\pi} \times \frac{V_P}{R_L} \times \cos(t) \Big|_0^{\pi} = \frac{2 \times V_P}{\pi \times R_L} \tag{6}$$

Therefore,  $P_{SUP}$  can be given as 式 7.

$$P_{SUP} = \frac{2 \times V_{DD} \times V_P}{\pi \times R_L} \tag{7}$$

Substituting for  $P_L$  and  $P_{SUP}$ , 式 1 becomes 式 8

$$\eta_{BTL} = \frac{\frac{V_P^2}{2 \times R_L}}{\frac{2 \times V_{DD} \times V_P}{\pi \times R_L}} = \frac{\pi \times V_P}{4 \times V_{DD}} \tag{8}$$

$V_P$  is calculated with 式 9.

$$V_P = \sqrt{2 \times P_L \times R_L} \tag{9}$$

And substituting for  $V_P$ ,  $\eta_{BTL}$  can be calculated with 式 10

$$\eta_{BTL} = \frac{\pi \sqrt{2 \times P_L \times R_L}}{4 \times V_{DD}} \tag{10}$$

A simple formula for calculating the maximum power dissipated ( $P_{Dmax}$ ) can be used for a differential output application:

$$P_{Dmax} = \frac{2V_{DD}^2}{\pi^2 R_L} \tag{11}$$

**表 6-1. Efficiency and Maximum Ambient Temperature vs Output Power**

OUTPUT POWER	EFFICIENCY	INTERNAL DISSIPATION	POWER FROM SUPPLY	MAX AMBIENT TEMPERATURE
<b>5-V, 3-Ω SYSTEMS</b>				
0.5 W	27.2%	1.34W	1.84W	54°C
1 W	38.4%	1.6W	2.6W	35°C
2.45 W	60.2%	1.62W	4.07W	34°C
3.1 W	67.7%	1.48W	4.58W	44°C
<b>5-V, 4-Ω BTL SYSTEMS</b>				
0.5 W	31.4%	1.09W	1.59W	72°C
1 W	44.4%	1.25W	2.25W	60°C
2 W	62.8%	1.18W	3.18W	65°C

**表 6-1. Efficiency and Maximum Ambient Temperature vs Output Power (続き)**

OUTPUT POWER	EFFICIENCY	INTERNAL DISSIPATION	POWER FROM SUPPLY	MAX AMBIENT TEMPERATURE
2.8 W	74.3%	0.97W	3.77W	80°C
<b>5-V, 8-Ω SYSTEMS</b>				
0.5 W	44.4%	0.625W	1.13W	105°C (limited by maximum ambient temperature specification)
1 W	62.8%	0.592W	1.6W	105°C (limited by maximum ambient temperature specification)
1.36 W	73.3%	0.496W	1.86W	105°C (limited by maximum ambient temperature specification)
1.7 W	81.9%	0.375W	2.08W	105°C (limited by maximum ambient temperature specification)

式 10 is used to calculate efficiencies for four different output power levels, see 表 6-1. The efficiency of the amplifier is quite low for lower power levels and rises sharply as power to the load is increased resulting in a nearly flat internal power dissipation over the normal operating range. The internal dissipation at full output power is less than in the half power range. Calculating the efficiency for a specific system is the key to proper power supply design. For a 2.8W audio system with 4Ω loads and a 5V supply, the maximum draw on the power supply is almost 3.8W.

A final point to remember about Class-AB amplifiers is how to manipulate the terms in the efficiency equation to the utmost advantage when possible. In 式 10,  $V_{DD}$  is in the denominator. This indicates that as  $V_{DD}$  goes down, efficiency goes up.

The maximum ambient temperature depends on the heat sinking ability of the PCB system. Given  $R_{\theta JA}$  (junction-to-ambient thermal resistance), the maximum allowable junction temperature, and the internal dissipation at 1-W output power with a 4-Ohm load, the maximum ambient temperature can be calculated with 式 12. The maximum recommended junction temperature for the TPA6211T-Q1 device is 150°C.

$$T_A(\text{Max}) = T_J(\text{Max}) - R_{\theta JA} \times P_D = 150 - 71.7 \times 1.25 = 60^\circ\text{C} \quad (12)$$

式 12 shows that the maximum ambient temperature is 60°C at 1-W output power and 4-Ohm load with a 5-V supply.

表 6-1 shows that the thermal performance must be considered when using a Class-AB amplifier to keep junction temperatures in the specified range. The TPA6211T-Q1 device is designed with thermal protection that turns the device off when the junction temperature surpasses 150°C to prevent damage to the IC. In addition, using speakers with an impedance higher than 4Ω dramatically increases the thermal performance by reducing the output current.

### 6.3.3 Differential Output Versus Single-Ended Output

図 6-2 shows a Class-AB audio power amplifier (APA) in a fully differential configuration. The TPA6211T-Q1 amplifier has differential outputs driving both ends of the load. One of several potential benefits to this configuration is power to the load. The differential drive to the speaker means that as one side is slewing up, the other side is slewing down, and vice versa. This in effect doubles the voltage swing on the load as compared to a ground-referenced load. Plugging  $2 \times V_{O(PP)}$  into the power equation (式 13) yields four-times the output power (as the voltage is squared) from the same supply rail and load impedance (see 式 15 and 式 16).

$$V_{(rms)} = \frac{V_{O(PP)}}{2\sqrt{2}}$$

$$\text{Power} = \frac{V_{(rms)}^2}{R_L} \quad (13)$$



$$\text{Power}_{(S-E)} = \frac{V_{(rms)}^2}{R_L} = \frac{\left(\frac{V_{O(PP)}}{2\sqrt{2}}\right)^2}{R_L} = \frac{V_{O(PP)}^2}{8R_L} \quad (14)$$

$$\text{Power}_{(Diff)} = \frac{V_{(rms)}^2}{R_L} = \frac{\left(\frac{2 \times V_{O(PP)}}{2\sqrt{2}}\right)^2}{R_L} = \frac{V_{O(PP)}^2}{2R_L} \quad (15)$$

$$\text{Power}_{(Diff)} = 4 \times \text{Power}_{(S-E)} \quad (16)$$

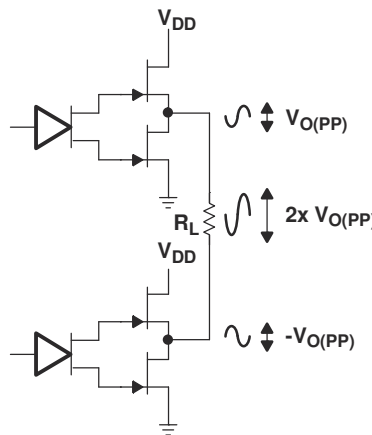


図 6-2. Differential Output Configuration

In a typical automotive application operating at 5 V, bridging raises the power into an 8-Ω speaker from a singled-ended (SE, ground reference) limit of 390 mW to 1.56 W. This is a 6-dB improvement in sound power, or loudness of the sound. In addition to increased power, there are frequency-response concerns. Consider the single-supply SE configuration shown in 図 6-3. A coupling capacitor ( $C_C$ ) is required to block the DC-offset voltage from the load. This capacitor can be quite large (approximately 33 μF to 1000 μF) so it tends to be expensive, heavy, occupy valuable PCB area, and have the additional drawback of limiting low-frequency performance. This frequency-limiting effect is due to the high-pass filter network created with the speaker impedance and the coupling capacitance. This is calculated with 式 17.

$$f_c = \frac{1}{2\pi R_L C_C} \quad (17)$$

For example, a 68-μF capacitor with an 8-Ω speaker would attenuate low frequencies below 293 Hz. The BTL configuration cancels the DC offsets, which eliminates the need for the blocking capacitors. Low-frequency performance is then limited only by the input network and speaker response. Cost and PCB space are also minimized by eliminating the bulky coupling capacitor.

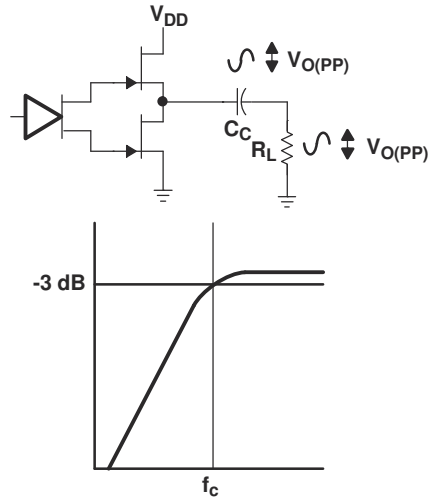


図 6-3. Single-Ended Output and Frequency Response

Increasing power to the load does carry a penalty of increased internal power dissipation. The increased dissipation is understandable considering that the BTL configuration produces four-times the output power of the SE configuration.

#### 6.4 Device Functional Modes

The TPA6211T-Q1 device can be put in shutdown mode when asserting  $\overline{\text{SHUTDOWN}}$  pin to a logic LOW. While in shutdown mode, the device output stage is turned off and set into high impedance, making the current consumption very low. The device exits shutdown mode when a HIGH logic level is applied to  $\overline{\text{SHUTDOWN}}$  pin.

## 7 Application and Implementation

### 注

Information in the following applications sections is not part of the TI component specification, and TI does not warrant its accuracy or completeness. TI's customers are responsible for determining suitability of components for their purposes. Customers should validate and test their design implementation to confirm system functionality.

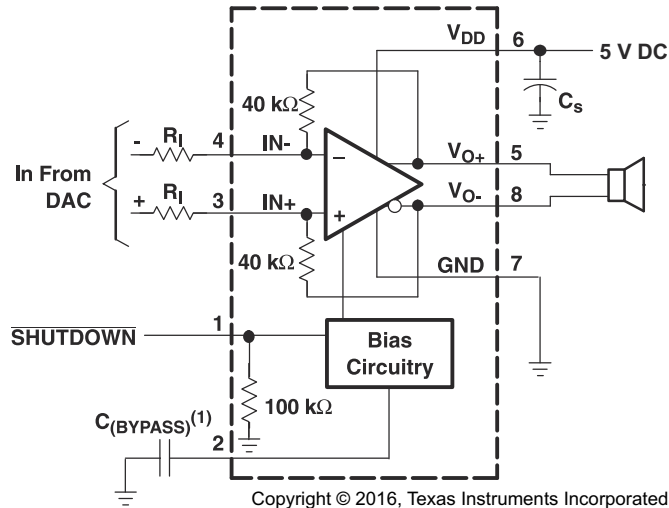
### 7.1 Application Information

The TPA6211T-Q1 is a fully-differential amplifier designed to drive a speaker with at least 3-Ω impedance while consuming only 20-mm<sup>2</sup> total printed-circuit board (PCB) area in most applications.

### 7.2 Typical Applications

☒ 7-1 shows a typical application circuit for the TPA6211T-Q1 with a speaker, input resistors, and supporting power supply decoupling capacitors.

#### 7.2.1 Typical Differential Input Application



A.  $C_{\text{BYPASS}}$  is optional

☒ 7-1. Typical Differential Input Application Schematic

Typical values are shown in 表 7-1.

表 7-1. Typical Component Values

COMPONENT	VALUE
$R_i$	40 kΩ
$C_{\text{BYPASS}}^{(1)}$	0.22 μF
$C_s$	1 μF
$C_l$	0.22 μF

(1)  $C_{\text{BYPASS}}$  is optional.

#### 7.2.1.1 Design Requirements

For this design example, use the parameters listed in 表 7-2 as the input parameters.

表 7-2. Design Parameters

PARAMETER	EXAMPLE VALUE
Power supply voltage	2.5 V to 5.5 V
Current	4 mA to 5 mA
Shutdown	High > 1.55 V
	Low < 0.5 V
Speaker	3 Ω, 4 Ω, or 8 Ω

### 7.2.1.2 Detailed Design Procedure

#### 7.2.1.2.1 Resistors ( $R_I$ )

The input resistor ( $R_I$ ) can be selected to set the gain of the amplifier according to 式 18.

$$\text{Gain} = \frac{R_F}{R_I} \quad (18)$$

The internal feedback resistors ( $R_F$ ) are trimmed to 40 kΩ.

Resistor matching is very important in fully differential amplifiers. The balance of the output on the reference voltage depends on matched ratios of the resistors. CMRR, PSRR, and the cancellation of the second harmonic distortion diminishes if resistor mismatch occurs. Therefore, TI recommends 1%-tolerance resistors or better to optimize performance.

#### 7.2.1.2.2 Bypass Capacitor ( $C_{\text{BYPASS}}$ ) and Start-Up Time

The internal voltage divider at the BYPASS pin of this device sets a mid-supply voltage for internal references and sets the output common mode voltage to  $V_{\text{DD}} / 2$ . Adding a capacitor filters any noise into this pin, increasing  $k_{\text{SVR}}$ .  $C_{\text{BYPASS}}$  also determines the rise time of  $V_{\text{O+}}$  and  $V_{\text{O-}}$  when the device exits shutdown. The larger the capacitor, the slower the rise time.

#### 7.2.1.2.3 Input Capacitor ( $C_I$ )

The TPA6211T-Q1 device does not require input coupling capacitors when driven by a differential input source biased from 0.5 V to  $V_{\text{DD}} - 0.8$  V. Use 1% tolerance or better gain-setting resistors if not using input coupling capacitors.

In the single-ended input application, an input capacitor ( $C_I$ ) is required to allow the amplifier to bias the input signal to the proper DC level. In this case,  $C_I$  and  $R_I$  form a high-pass filter with the corner frequency defined in 式 19.

$$f_c = \frac{1}{2\pi R_I C_I} \quad (19)$$

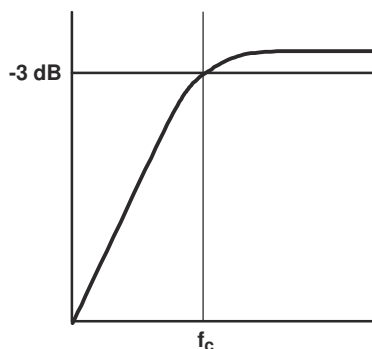


図 7-2. Input Filter Cutoff Frequency

The value of  $C_1$  is an important consideration, as it directly affects the bass (low frequency) performance of the circuit. Consider the example where  $R_1$  is 10 k $\Omega$  and the specification calls for a flat bass response down to 100 Hz. 式 19 is reconfigured as 式 20.

$$C_1 = \frac{1}{2\pi R_1 f_c} \quad (20)$$

In this example,  $C_1$  is 0.16  $\mu\text{F}$ , so the likely choice ranges from 0.22  $\mu\text{F}$  to 0.47  $\mu\text{F}$ . TI recommends the use of ceramic capacitors because they are the best choice in preventing leakage current. When polarized capacitors are used, the positive side of the capacitor faces the amplifier input in most applications. The input DC level is held at  $V_{DD} / 2$ , typically higher than the source DC level. Confirming the capacitor polarity in the application is important.

#### 7.2.1.2.4 Band-Pass Filter ( $R_1$ , $C_1$ , and $C_F$ )

Having signal filtering beyond the one-pole high-pass filter formed by the combination of  $C_1$  and  $R_1$  can be desirable. A low-pass filter can be added by placing a capacitor ( $C_F$ ) between the inputs and outputs, forming a band-pass filter.

An example of when this technique might be used would be in an application where the desirable pass-band range is between 100 Hz and 10 kHz, with a gain of 4 V/V. 式 21 to 式 28 allow the proper values of  $C_F$  and  $C_1$  to be determined.

##### 7.2.1.2.4.1 Step 1: Low-Pass Filter

$$f_{c(\text{LPF})} = \frac{1}{2\pi R_F C_F} \quad (21)$$

$$f_{c(\text{LPF})} = \frac{1}{2\pi 40\text{k}\Omega C_F} \quad (22)$$

Therefore,

$$C_F = \frac{1}{2\pi 40\text{k}\Omega f_{c(\text{LPF})}} \quad (23)$$

Substituting 10 kHz for  $f_{c(\text{LPF})}$  and solving for  $C_F$ :

$$C_F = 398\text{ pF} \quad (24)$$

##### 7.2.1.2.4.2 Step 2: High-Pass Filter

$$f_{c(\text{HPF})} = \frac{1}{2\pi R_1 C_1} \quad (25)$$

Because the application in this case requires a gain of 4 V/V,  $R_1$  must be set to 10 k $\Omega$ .

Substituting  $R_1$  into 式 25.

$$f_{c(\text{HPF})} = \frac{1}{2\pi 10\text{k}\Omega C_1} \quad (26)$$

Therefore,

$$C_1 = \frac{1}{2\pi \cdot 10 \text{ k}\Omega \cdot f_{c(\text{HPF})}} \quad (27)$$

Substituting 100 Hz for  $f_{c(\text{HPF})}$  and solving for  $C_1$ :

$$C_1 = 0.16 \text{ }\mu\text{F} \quad (28)$$

At this point, a first-order band-pass filter has been created with the low-frequency cutoff set to 100 Hz and the high-frequency cutoff set to 10 kHz.

The process can be taken a step further by creating a second-order high-pass filter. This is accomplished by placing a resistor ( $R_a$ ) and capacitor ( $C_a$ ) in the input path.  $R_a$  must be at least 10 times smaller than  $R_1$ ; otherwise its value has a noticeable effect on the gain, as  $R_a$  and  $R_1$  are in series.

#### 7.2.1.2.4.3 Step 3: Additional Low-Pass Filter

$R_a$  must be at least ten-times smaller than  $R_1$ . Set  $R_a = 1 \text{ k}\Omega$

$$f_{c(\text{LPF})} = \frac{1}{2\pi R_a C_a} \quad (29)$$

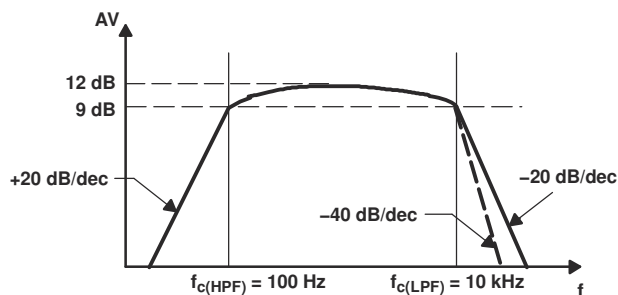
Therefore,

$$C_a = \frac{1}{2\pi \cdot 1 \text{ k}\Omega \cdot f_{c(\text{LPF})}} \quad (30)$$

Substituting 10 kHz for  $f_{c(\text{LPF})}$  and solving for  $C_a$ :

$$C_a = 160 \text{ pF} \quad (31)$$

☒ 7-3 is a bode plot for the band-pass filter in the previous example. ☒ 7-8 shows how to configure the TPA6211T-Q1 device as a band-pass filter.



☒ 7-3. Bode Plot

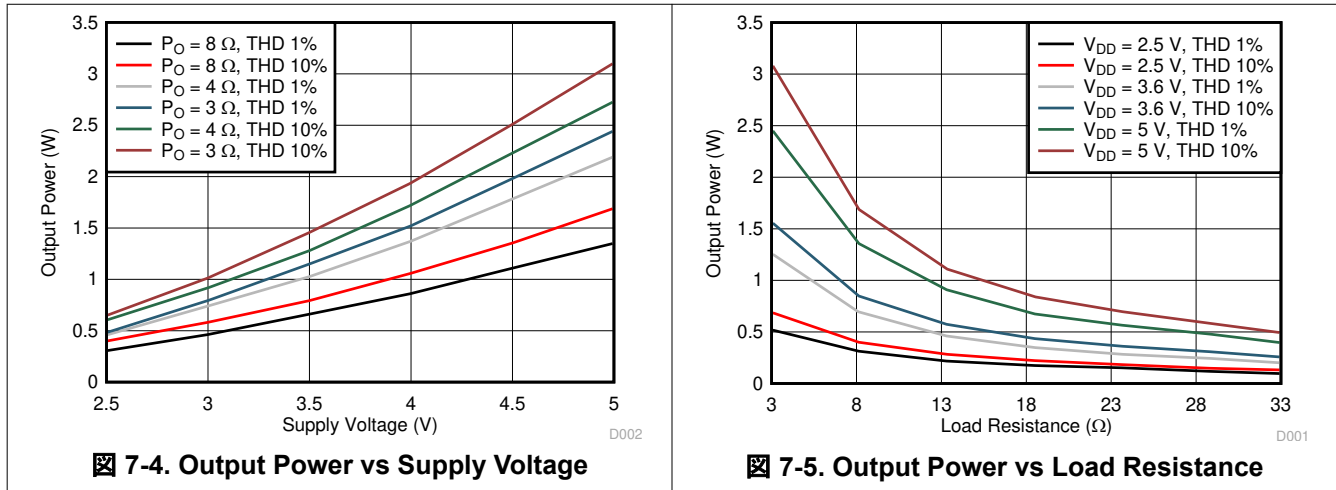
#### 7.2.1.2.5 Decoupling Capacitor ( $C_S$ )

The TPA6211T-Q1 device is a high-performance CMOS audio amplifier that requires adequate power supply decoupling to ensure the output total harmonic distortion (THD) is as low as possible. Power-supply decoupling also prevents oscillations for long lead lengths between the amplifier and the speaker. For higher frequency transients, spikes, or digital hash on the line, a good low equivalent-series-resistance (ESR) ceramic capacitor, typically 0.1  $\mu\text{F}$  to 1  $\mu\text{F}$ , placed as close as possible to the device  $V_{DD}$  lead works best. For filtering lower frequency noise signals, a 10- $\mu\text{F}$  or greater capacitor placed near the audio power amplifier also helps, but is not required in most applications because of the high PSRR of this device.

### 7.2.1.2.6 Using Low-ESR Capacitors

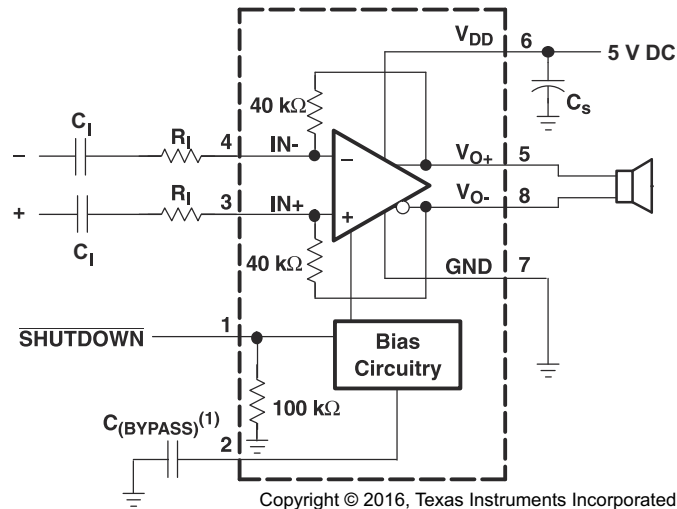
Low-ESR capacitors are recommended throughout this applications section. A real (as opposed to ideal) capacitor can be modeled simply as a resistor in series with an ideal capacitor. The voltage drop across this resistor minimizes the beneficial effects of the capacitor in the circuit. The lower the equivalent value of this resistance the more the real capacitor behaves like an ideal capacitor.

### 7.2.1.3 Application Curves



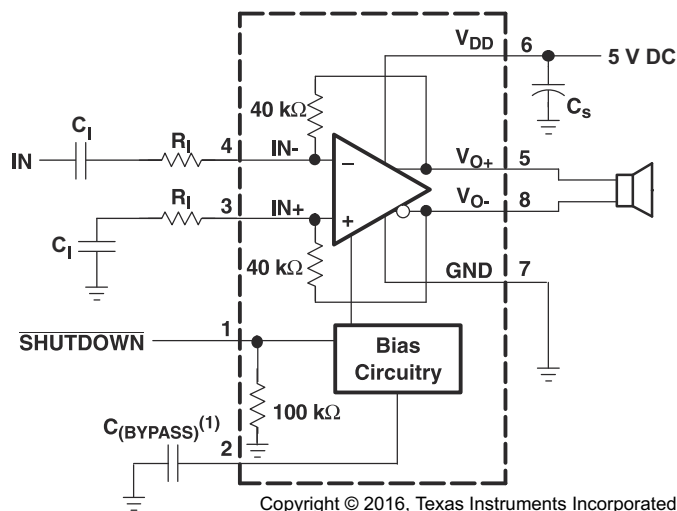
### 7.2.2 Other Application Circuits

Figure 7-6, Figure 7-7, and Figure 7-8 show example circuits using the TPA6211T-Q1 device.



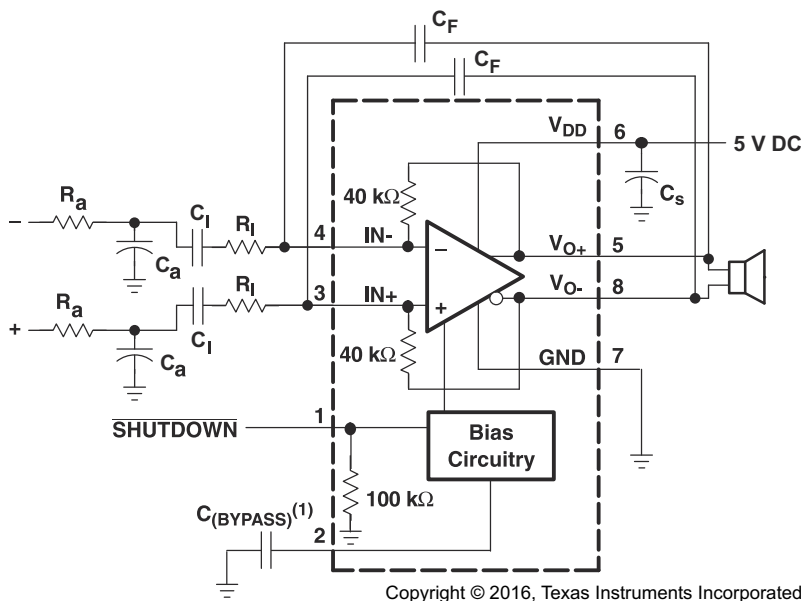
A.  $C_{(BYPASS)}$  is optional

Figure 7-6. Differential Input Application Schematic Optimized With Input Capacitors



A.  $C_{(BYPASS)}$  is optional

図 7-7. Single-Ended Input Application Schematic



A.  $C_{(BYPASS)}$  is optional

図 7-8. Differential Input Application Schematic With Input Bandpass Filter

### 7.3 Power Supply Recommendations

The TPA6211T-Q1 device is designed to operate from an input voltage supply range between 2.5 V and 5.5 V. Therefore, the output voltage range of power supply must be within this range and well regulated. The current capability of upper power should not exceed the maximum current limit of the power switch.

#### 7.3.1 Power Supply Decoupling Capacitor

The TPA6211T-Q1 device requires adequate power supply decoupling to ensure a high efficiency operation with low total harmonic distortion (THD). Place a low equivalent series resistance (ESR) ceramic capacitor, typically 0.1  $\mu\text{F}$ , as close as possible of the  $V_{DD}$  pin. This choice of capacitor and placement helps with higher frequency transients, spikes, or digital hash on the line. TI recommends placing a 2.2- $\mu\text{F}$  to 10- $\mu\text{F}$  capacitor on the  $V_{DD}$



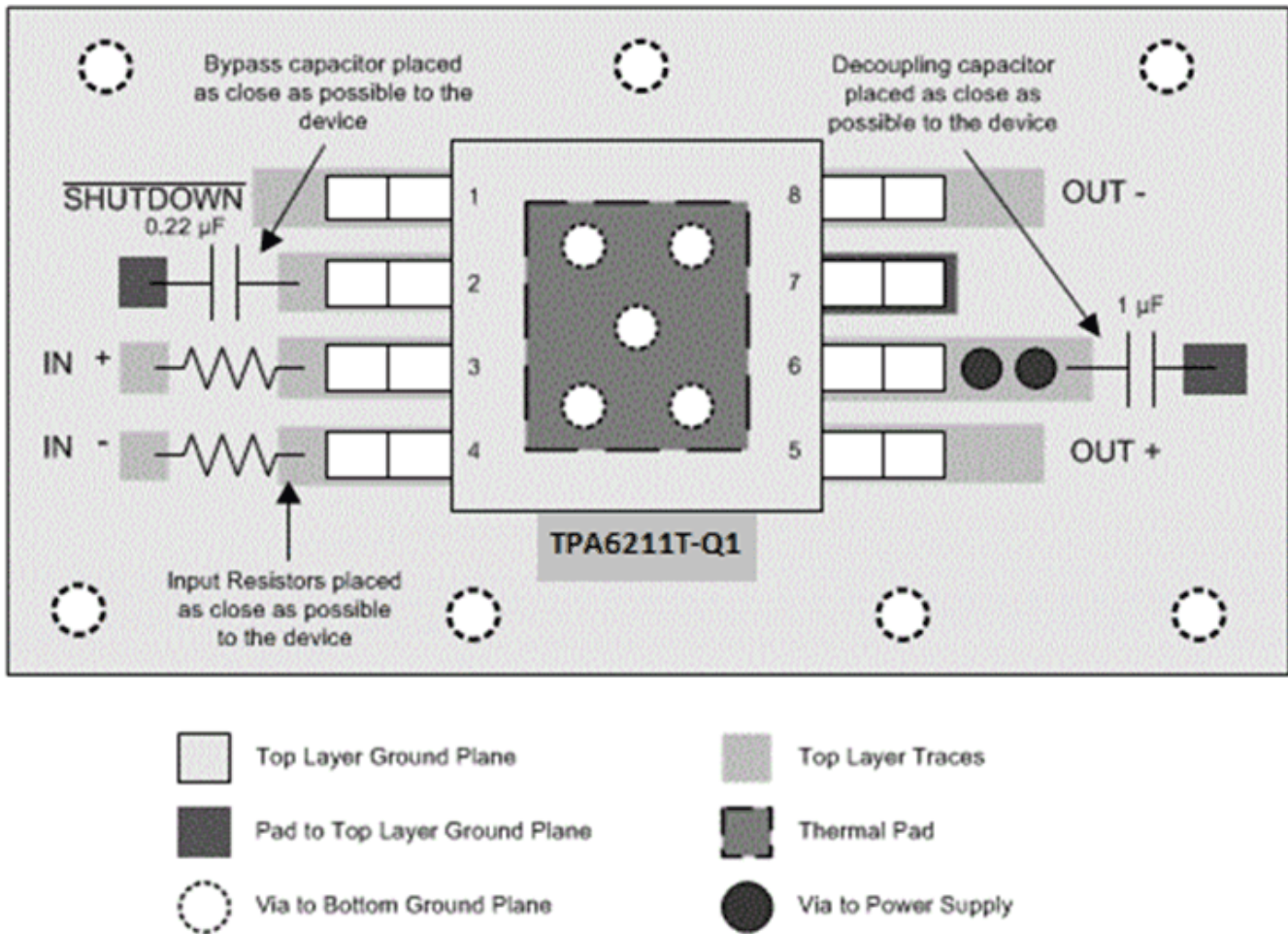
supply trace. This larger capacitor acts as a charge reservoir, providing energy faster than the board supply, thus helping to prevent any droop in the supply voltage.

## 7.4 Layout

### 7.4.1 Layout Guidelines

Place all the external components close to the TPA6211T-Q1 device. The input resistors need to be close to the device input pins so noise does not couple on the high impedance nodes between the input resistors and the input amplifier of the device. Placing the decoupling capacitors,  $C_S$  and  $C_{BYPASS}$ , close to the TPA6211T-Q1 device is important for the efficiency of the amplifier. Any resistance or inductance in the trace between the device and the capacitor can cause a loss in efficiency.

### 7.4.2 Layout Example



☒ 7-9. TPA6211T-Q1 8-Pin HVSSOP (DGN) Board Layout

## 8 Device and Documentation Support

### 8.1 Receiving Notification of Documentation Updates

To receive notification of documentation updates, navigate to the device product folder on ti.com. In the upper right corner, click on *Alert me* to register and receive a weekly digest of any product information that has changed. For change details, review the revision history included in any revised document.

### 8.2 Community Resources

### 8.3 Trademarks

すべての商標は、それぞれの所有者に帰属します。

## 9 Revision History

資料番号末尾の英字は改訂を表しています。その改訂履歴は英語版に準じています。

<b>Changes from Revision B (February 2024) to Revision C (April 2024)</b>	<b>Page</b>
• Changed the <i>ESD Ratings</i> for CDM to $\pm 1000V$ .....	4

---

<b>Changes from Revision A (July 2021) to Revision B (February 2024)</b>	<b>Page</b>
• 「特長」の「デバイス HBM ESD 分類レベル」を変更: 車載アプリケーション認定済み.....	1
• Changed the <i>ESD Ratings</i> for HBM to $\pm 2000V$ .....	4

---

<b>Changes from Revision * (March 2020) to Revision A (July 2021)</b>	<b>Page</b>
• Updated <i>Thermal Information</i> table.....	4

---

## 10 Mechanical, Packaging, and Orderable Information

The following pages include mechanical, packaging, and orderable information. This information is the most current data available for the designated devices. This data is subject to change without notice and revision of this document. For browser-based versions of this data sheet, refer to the left-hand navigation.

**PACKAGING INFORMATION**

Orderable Device	Status (1)	Package Type	Package Drawing	Pins	Package Qty	Eco Plan (2)	Lead finish/ Ball material (6)	MSL Peak Temp (3)	Op Temp (°C)	Device Marking (4/5)	Samples
TPA6211TDGNRQ1	ACTIVE	HVSSOP	DGN	8	2500	RoHS & Green	NIPDAUAG	Level-2-260C-1 YEAR	-40 to 105	6211Q	Samples

(1) The marketing status values are defined as follows:

**ACTIVE:** Product device recommended for new designs.

**LIFEBUY:** TI has announced that the device will be discontinued, and a lifetime-buy period is in effect.

**NRND:** Not recommended for new designs. Device is in production to support existing customers, but TI does not recommend using this part in a new design.

**PREVIEW:** Device has been announced but is not in production. Samples may or may not be available.

**OBSELETE:** TI has discontinued the production of the device.

(2) **RoHS:** TI defines "RoHS" to mean semiconductor products that are compliant with the current EU RoHS requirements for all 10 RoHS substances, including the requirement that RoHS substance do not exceed 0.1% by weight in homogeneous materials. Where designed to be soldered at high temperatures, "RoHS" products are suitable for use in specified lead-free processes. TI may reference these types of products as "Pb-Free".

**RoHS Exempt:** TI defines "RoHS Exempt" to mean products that contain lead but are compliant with EU RoHS pursuant to a specific EU RoHS exemption.

**Green:** TI defines "Green" to mean the content of Chlorine (Cl) and Bromine (Br) based flame retardants meet JS709B low halogen requirements of <=1000ppm threshold. Antimony trioxide based flame retardants must also meet the <=1000ppm threshold requirement.

(3) MSL, Peak Temp. - The Moisture Sensitivity Level rating according to the JEDEC industry standard classifications, and peak solder temperature.

(4) There may be additional marking, which relates to the logo, the lot trace code information, or the environmental category on the device.

(5) Multiple Device Markings will be inside parentheses. Only one Device Marking contained in parentheses and separated by a "-" will appear on a device. If a line is indented then it is a continuation of the previous line and the two combined represent the entire Device Marking for that device.

(6) Lead finish/Ball material - Orderable Devices may have multiple material finish options. Finish options are separated by a vertical ruled line. Lead finish/Ball material values may wrap to two lines if the finish value exceeds the maximum column width.

**Important Information and Disclaimer:**The information provided on this page represents TI's knowledge and belief as of the date that it is provided. TI bases its knowledge and belief on information provided by third parties, and makes no representation or warranty as to the accuracy of such information. Efforts are underway to better integrate information from third parties. TI has taken and continues to take reasonable steps to provide representative and accurate information but may not have conducted destructive testing or chemical analysis on incoming materials and chemicals. TI and TI suppliers consider certain information to be proprietary, and thus CAS numbers and other limited information may not be available for release.

In no event shall TI's liability arising out of such information exceed the total purchase price of the TI part(s) at issue in this document sold by TI to Customer on an annual basis.

**TAPE AND REEL INFORMATION**

**QUADRANT ASSIGNMENTS FOR PIN 1 ORIENTATION IN TAPE**


\*All dimensions are nominal

Device	Package Type	Package Drawing	Pins	SPQ	Reel Diameter (mm)	Reel Width W1 (mm)	A0 (mm)	B0 (mm)	K0 (mm)	P1 (mm)	W (mm)	Pin1 Quadrant
TPA6211TDGNRQ1	HVSSOP	DGN	8	2500	330.0	12.4	5.3	3.4	1.4	8.0	12.0	Q1

**TAPE AND REEL BOX DIMENSIONS**


\*All dimensions are nominal

Device	Package Type	Package Drawing	Pins	SPQ	Length (mm)	Width (mm)	Height (mm)
TPA6211TDGNRQ1	HVSSOP	DGN	8	2500	366.0	364.0	50.0

## GENERIC PACKAGE VIEW

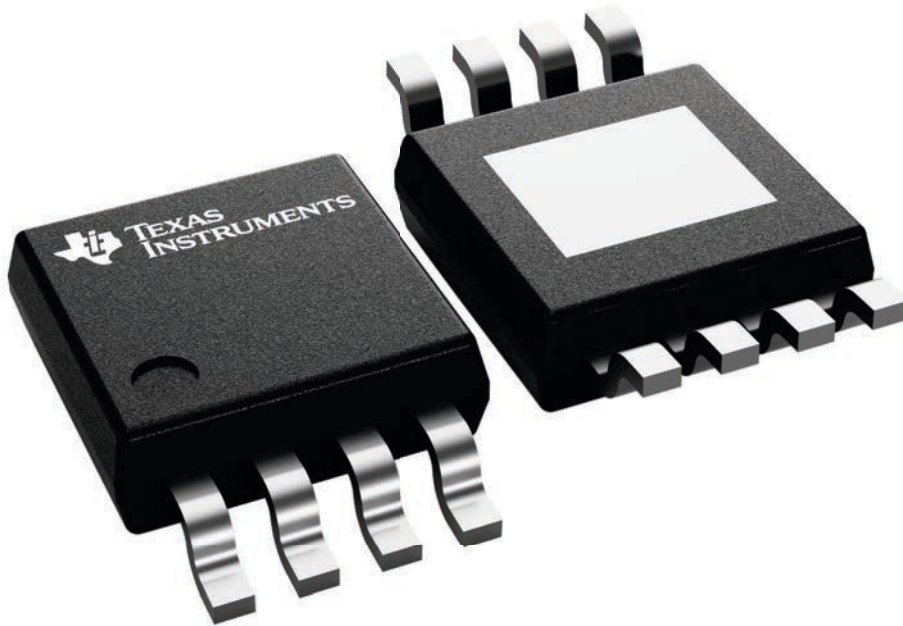
**DGN 8**

**PowerPAD™ HVSSOP - 1.1 mm max height**

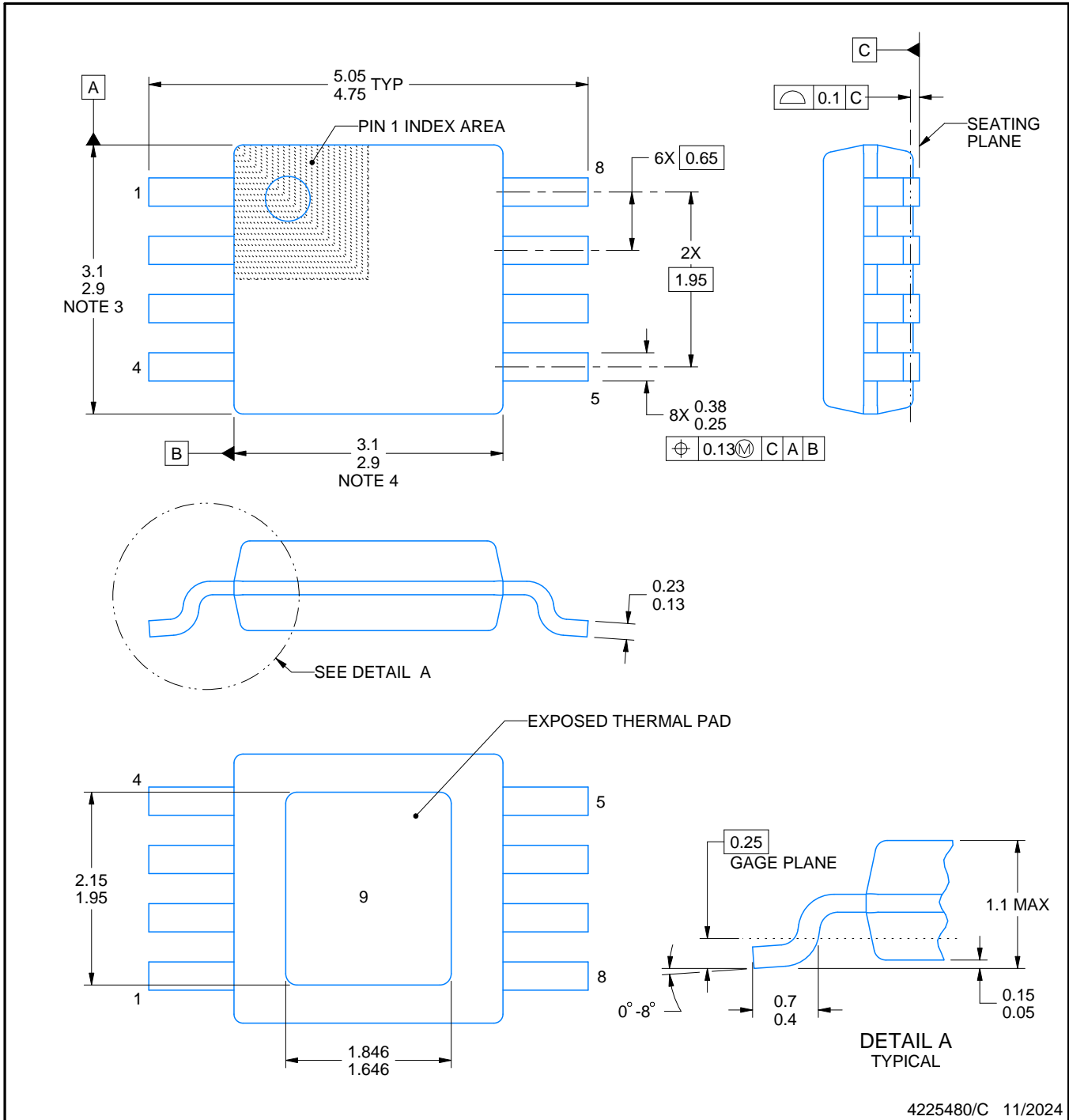
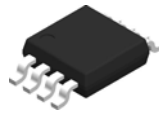
3 x 3, 0.65 mm pitch

SMALL OUTLINE PACKAGE

This image is a representation of the package family, actual package may vary.  
Refer to the product data sheet for package details.



4225482/B



4225480/C 11/2024

NOTES:

PowerPAD is a trademark of Texas Instruments.

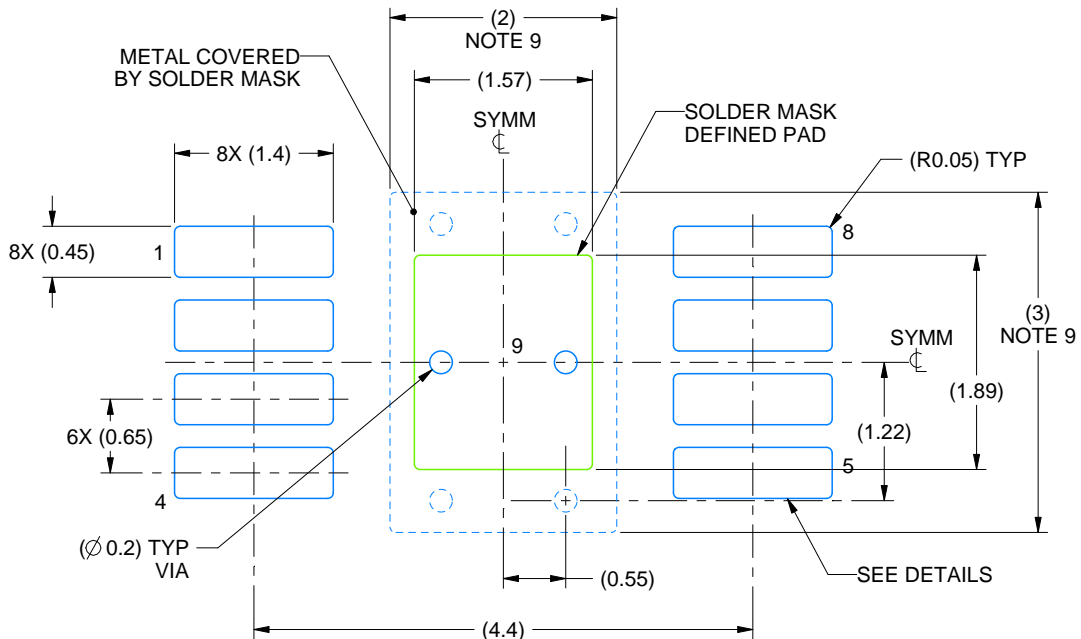
1. All linear dimensions are in millimeters. Any dimensions in parenthesis are for reference only. Dimensioning and tolerancing per ASME Y14.5M.
2. This drawing is subject to change without notice.
3. This dimension does not include mold flash, protrusions, or gate burrs. Mold flash, protrusions, or gate burrs shall not exceed 0.15 mm per side.
4. This dimension does not include interlead flash. Interlead flash shall not exceed 0.25 mm per side.
5. Reference JEDEC registration MO-187.

# EXAMPLE BOARD LAYOUT

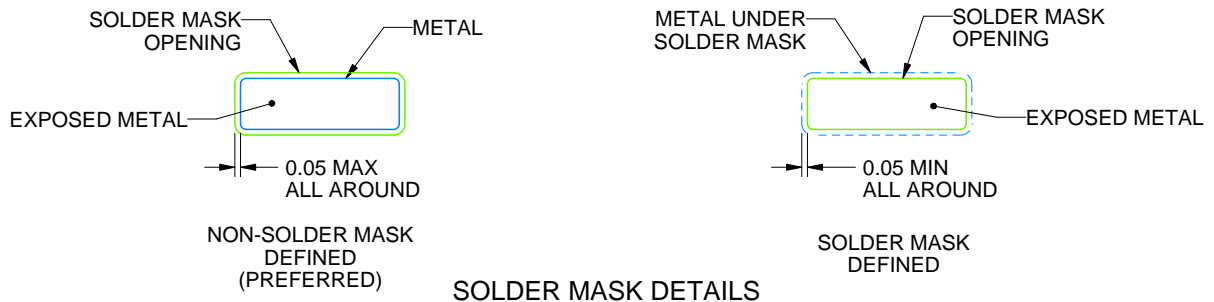
DGN0008G

PowerPAD™ HVSSOP - 1.1 mm max height

SMALL OUTLINE PACKAGE



LAND PATTERN EXAMPLE  
EXPOSED METAL SHOWN  
SCALE: 15X



4225480/C 11/2024

NOTES: (continued)

6. Publication IPC-7351 may have alternate designs.
7. Solder mask tolerances between and around signal pads can vary based on board fabrication site.
8. Vias are optional depending on application, refer to device data sheet. If any vias are implemented, refer to their locations shown on this view. It is recommended that vias under paste be filled, plugged or tented.
9. Size of metal pad may vary due to creepage requirement.

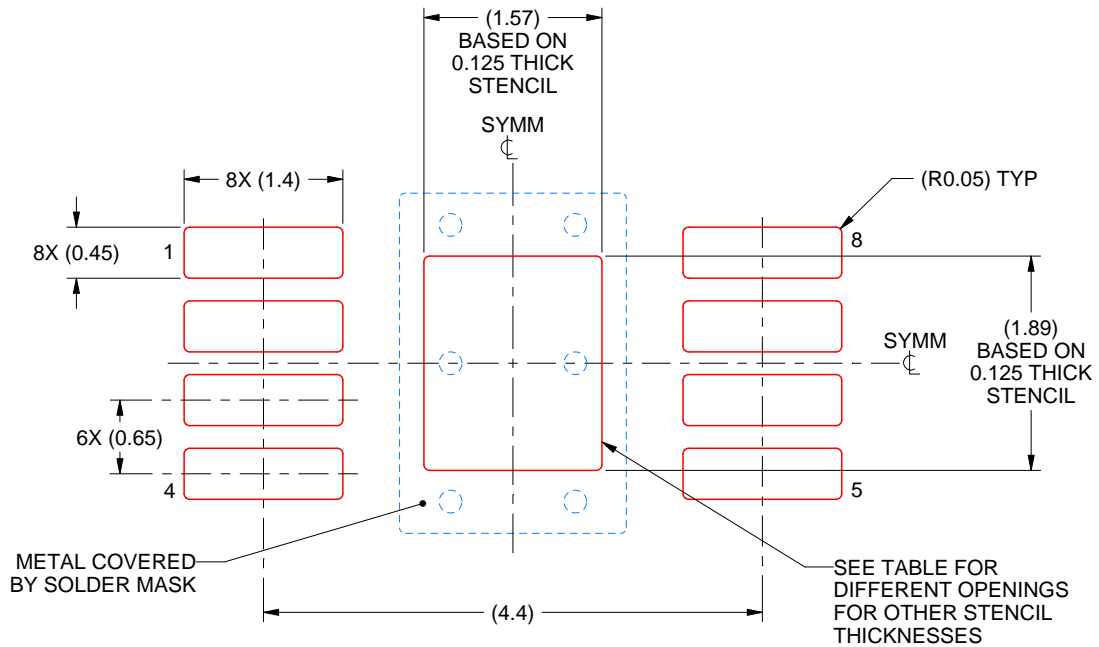


# EXAMPLE STENCIL DESIGN

DGN0008G

PowerPAD™ HVSSOP - 1.1 mm max height

SMALL OUTLINE PACKAGE



**SOLDER PASTE EXAMPLE**  
EXPOSED PAD 9:  
100% PRINTED SOLDER COVERAGE BY AREA  
SCALE: 15X

STENCIL THICKNESS	SOLDER STENCIL OPENING
0.1	1.76 X 2.11
0.125	1.57 X 1.89 (SHOWN)
0.15	1.43 X 1.73
0.175	1.33 X 1.60

4225480/C 11/2024

NOTES: (continued)

10. Laser cutting apertures with trapezoidal walls and rounded corners may offer better paste release. IPC-7525 may have alternate design recommendations.
11. Board assembly site may have different recommendations for stencil design.

## 重要なお知らせと免責事項

テキサス・インスツルメンツは、技術データと信頼性データ(データシートを含みます)、設計リソース(リファレンス デザインを含みます)、アプリケーションや設計に関する各種アドバイス、Web ツール、安全性情報、その他のリソースを、欠陥が存在する可能性のある「現状のまま」提供しており、商品性および特定目的に対する適合性の黙示保証、第三者の知的財産権の非侵害保証を含むいかなる保証も、明示的または黙示的にかかわらず拒否します。

これらのリソースは、テキサス・インスツルメンツ製品を使用する設計の経験を積んだ開発者への提供を意図したものです。(1) お客様のアプリケーションに適したテキサス・インスツルメンツ製品の選定、(2) お客様のアプリケーションの設計、検証、試験、(3) お客様のアプリケーションに該当する各種規格や、その他のあらゆる安全性、セキュリティ、規制、または他の要件への確実な適合に関する責任を、お客様のみが単独で負うものとします。

上記の各種リソースは、予告なく変更される可能性があります。これらのリソースは、リソースで説明されているテキサス・インスツルメンツ製品を使用するアプリケーションの開発の目的でのみ、テキサス・インスツルメンツはその使用をお客様に許諾します。これらのリソースに関して、他の目的で複製することや掲載することは禁止されています。テキサス・インスツルメンツや第三者の知的財産権のライセンスが付与されている訳ではありません。お客様は、これらのリソースを自身で使用した結果発生するあらゆる申し立て、損害、費用、損失、責任について、テキサス・インスツルメンツおよびその代理人を完全に補償するものとし、テキサス・インスツルメンツは一切の責任を拒否します。

テキサス・インスツルメンツの製品は、[テキサス・インスツルメンツの販売条件](#)、または [ti.com](https://www.ti.com) やかかるテキサス・インスツルメンツ製品の関連資料などのいずれかを通じて提供する適用可能な条項の下で提供されています。テキサス・インスツルメンツがこれらのリソースを提供することは、適用されるテキサス・インスツルメンツの保証または他の保証の放棄の拡大や変更を意味するものではありません。

お客様がいかなる追加条項または代替条項を提案した場合でも、テキサス・インスツルメンツはそれらに異議を唱え、拒否します。

郵送先住所：Texas Instruments, Post Office Box 655303, Dallas, Texas 75265  
Copyright © 2025, Texas Instruments Incorporated