

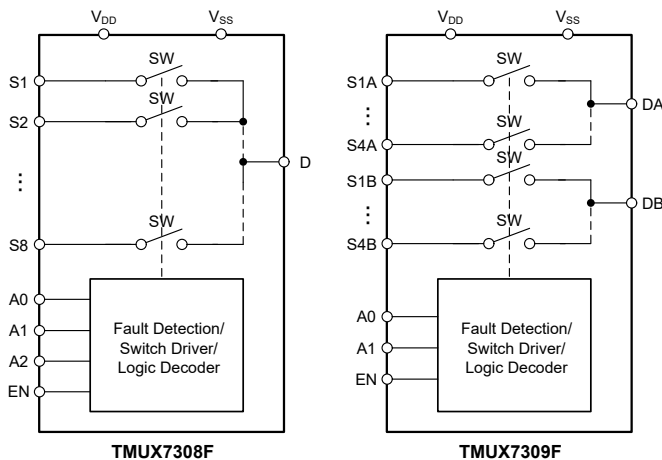
TMUX730xF ±60V フォルト保護、8:1 およびデュアル 4:1 マルチプレクサ、ラッチアップ・フリー 1.8V ロジック対応

1 特長

- 広い電源電圧範囲:
 - デュアル電源: ±5V ~ ±22V
 - 単一電源: 8V ~ 44V
- フォルト保護機能を搭載:
 - 過電圧保護、ソース - 電源間またはソース - ドレイン間: ±85V
 - 過電圧保護: ±60V
 - 電源オフ保護: ±60V
 - フォルト・チャネル以外の動作を継続
 - デジタル入力が存在しなくても既知の状態を維持
 - 過電圧状態では出力を電源にクランプ
- ラッチアップ・フリー
- 1.8V ロジックに対応
- フェイルセーフ・ロジック: 電源から独立して最大 44V
- ロジック・ピンにプルダウン抵抗を内蔵
- ブレイク・ビフォー・メイクのスイッチング動作
- 業界標準の TSSOP と小型の WQFN パッケージ

2 アプリケーション

- ファクトリ・オートメーション / 制御
- プログラマブル・ロジック・コントローラ (PLC)
- アナログ入力モジュール
- 半導体試験用機器
- バッテリー試験装置
- サーボ・ドライブ制御モジュール
- データ・アキュイジション・システム (DAQ)



機能ブロック図

3 概要

TMUX7308F と TMUX7309F は 8:1 (シングル・エンド) および 4:1 (差動) 構成の最新の CMOS (相補型金属酸化膜半導体) アナログ・マルチプレクサです。これらのデバイスはデュアル電源 (±5V ~ ±22V)、シングル電源 (8V ~ 44V)、または非対称電源 ($V_{DD} = 12V$, $V_{SS} = -5V$ など) で適切に動作します。過電圧保護機能は、電源供給および電源オフの状況で利用できるため、TMUX7308F と TMUX7309F デバイスは、電源シーケンスを正確に制御できないアプリケーションに最適です。

本デバイスは、電源オンと電源オフのどちらの状態でも、グラウンドに対して +60V または -60V までのフォルト電圧を阻止します。電源を喪失した場合、スイッチの入力状態やロジックの制御ステータスに関係なく、スイッチ・チャネルはオフ状態を維持します。通常動作状態では、いずれかの S_x ピンのアナログ入力信号レベルが電源電圧 (V_{DD} または V_{SS}) よりもスレッシュホールド電圧 (V_T) だけ上回ると、チャネルはオフになり、 S_x ピンは高インピーダンスになります。フォルト・チャネルを選択している場合、ドレイン・ピン (D または D_x) は、信号レベルが超過した電源 (V_{DD} または V_{SS}) にプルされます。

低静電容量、低電荷注入、フォルト保護内蔵により、TMUX7308F および TMUX7309F デバイスは、高性能と高堅牢性の両方が重要なフロント・エンド・データ・アキュイジション・アプリケーションで使用できます。これらのデバイスは標準の TSSOP パッケージおよび小型の WQFN パッケージ (PCB 面積が小さい場合に理想的) で供給されます。

製品情報

部品番号	構成 ⁽¹⁾	パッケージ ⁽²⁾	パッケージ・サイズ ⁽³⁾
TMUX7308F	1 チャネル 8:1	PW (TSSOP, 16)	5mm × 6.4mm
TMUX7309F	2 チャネル 4:1	RRP (WQFN, 16)	4mm × 4mm

- 製品比較表を参照してください。
- 利用可能なパッケージについては、データシートの末尾にあるパッケージ・オプションについての付録を参照してください。
- パッケージ・サイズ (長さ × 幅) は公称値であり、該当する場合はピンも含まれます。



Table of Contents

1 特長	1	8.8 Fault Response Time.....	31
2 アプリケーション	1	8.9 Fault Recovery Time.....	31
3 概要	1	8.10 Charge Injection.....	32
4 Revision History	2	8.11 Off Isolation.....	32
5 Device Comparison Table	3	8.12 Crosstalk.....	33
6 Pin Configuration and Functions	3	8.13 Bandwidth.....	34
7 Specifications	5	8.14 THD + Noise.....	34
7.1 Absolute Maximum Ratings.....	5	9 Detailed Description	35
7.2 ESD Ratings.....	5	9.1 Overview.....	35
7.3 Thermal Information.....	6	9.2 Functional Block Diagram.....	35
7.4 Recommended Operating Conditions.....	6	9.3 Feature Description.....	35
7.5 Electrical Characteristics (Global).....	6	9.4 Device Functional Modes.....	38
7.6 ±15 V Dual Supply: Electrical Characteristics.....	8	10 Application and Implementation	41
7.7 ±20 V Dual Supply: Electrical Characteristics.....	11	10.1 Application Information.....	41
7.8 12 V Single Supply: Electrical Characteristics.....	14	10.2 Typical Application.....	41
7.9 36 V Single Supply: Electrical Characteristics.....	17	10.3 Power Supply Recommendations.....	42
7.10 Typical Characteristics.....	20	10.4 Layout.....	43
8 Parameter Measurement Information	27	11 Device and Documentation Support	45
8.1 On-Resistance.....	27	11.1 Documentation Support.....	45
8.2 Off-Leakage Current.....	27	11.2 ドキュメントの更新通知を受け取る方法.....	45
8.3 On-Leakage Current.....	28	11.3 サポート・リソース.....	45
8.4 Input and Output Leakage Current Under Overvoltage Fault.....	28	11.4 Trademarks.....	45
8.5 Break-Before-Make Delay.....	29	11.5 静電気放電に関する注意事項.....	45
8.6 Enable Delay Time.....	30	11.6 用語集.....	45
8.7 Transition Time.....	30	12 Mechanical, Packaging, and Orderable Information	45

4 Revision History

資料番号末尾の英字は改訂を表しています。その改訂履歴は英語版に準じています。

Changes from Revision B (December 2021) to Revision C (July 2023)	Page
• PW パッケージのステータスを「プレビュー」から「アクティブ」に変更.....	1
• 構成とパッケージ・サイズを含めるよう製品情報の表を更新.....	1

Changes from Revision A (October 2021) to Revision B (December 2021)	Page
• データシートのステータスを以下のように変更: 「事前情報」から 「量産データ」へ.....	1

5 Device Comparison Table

PRODUCT	DESCRIPTION
TMUX7308F	+60 V/ -60 V Tolerant, Fault-protected, Latch-up Immune, Single-Ended 8:1 Multiplexer
TMUX7309F	+60 V/ -60 V Tolerant, Fault-protected, Latch-up Immune, 4:1, 2-Channel Multiplexer

6 Pin Configuration and Functions

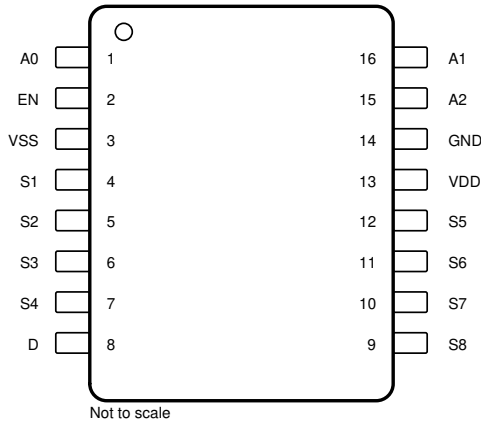


Figure 6-1. PW Package, 16-Pin TSSOP (Top View)

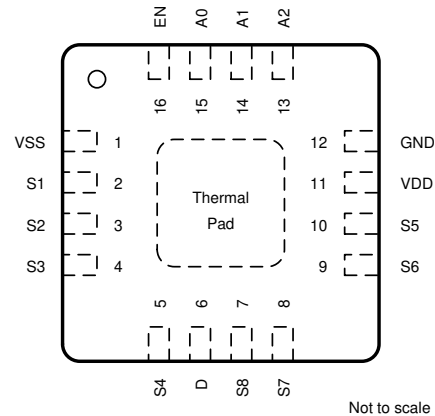


Figure 6-2. RRP Package, 16-Pin WQFN (Top View)

表 6-1. Pin Functions: TMUX7308F

NAME	PIN		TYPE ⁽¹⁾	DESCRIPTION
	TSSOP	WQFN		
A0	1	15	I	Logic control input address 0 (A0), has internal 4 MΩ pull-down resistor. Controls switch state as shown in セクション 9.4.3 .
EN	2	16	I	Active high logic enable (EN) pin, has internal 4 MΩ pull-down resistor. The device is disabled and all switches become high impedance when the pin is low. When the pin is high, the Ax logic inputs determine individual switch states as shown in セクション 9.4.3 .
V _{SS}	3	1	P	Negative power supply. This pin is the most negative power-supply potential. In single-supply applications, this pin can be connected to ground. For reliable operation, connect a decoupling capacitor ranging from 0.1 μF to 10 μF between V _{SS} and GND.
S1	4	2	I/O	Overvoltage protected source pin 1. Can be an input or output.
S2	5	3	I/O	Overvoltage protected source pin 2. Can be an input or output.
S3	6	4	I/O	Overvoltage protected source pin 3. Can be an input or output.
S4	7	5	I/O	Overvoltage protected source pin 4. Can be an input or output.
D	8	6	I/O	Drain pin. Can be an input or output. The drain pin is not overvoltage protected.
S8	9	7	I/O	Overvoltage protected source pin 8. Can be an input or output.
S7	10	8	I/O	Overvoltage protected source pin 7. Can be an input or output.
S6	11	9	I/O	Overvoltage protected source pin 6. Can be an input or output.
S5	12	10	I/O	Overvoltage protected source pin 5. Can be an input or output.
V _{DD}	13	11	P	Positive power supply. This pin is the most positive power-supply potential. For reliable operation, connect a decoupling capacitor ranging from 0.1 μF to 10 μF between V _{DD} and GND.
GND	14	12	P	Ground (0 V) reference
A2	15	13	I	Logic control input address 2 (A2), has internal 4 MΩ pull-down resistor. Controls switch state as shown in セクション 9.4.3 .
A1	16	14	I	Logic control input address 1 (A1), has internal 4 MΩ pull-down resistor. Controls switch state as shown in セクション 9.4.3 .
Thermal Pad			P	The thermal pad is not connected internally. It is recommended that the pad be tied to GND or V _{SS} for best performance.

(1) I = input, O = output, I/O = input and output, P = power

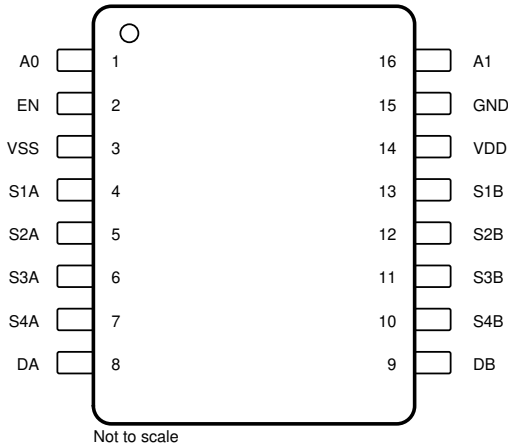


图 6-3. PW Package, 16-Pin TSSOP (Top View)

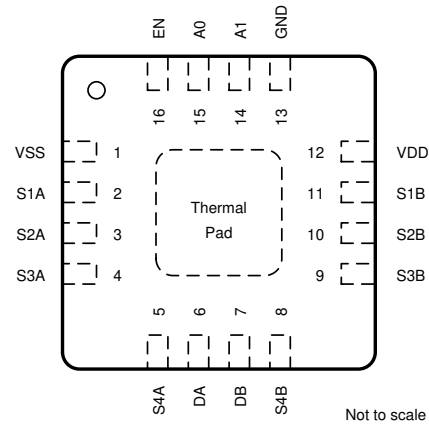


图 6-4. RRP Package, 16-Pin WQFN (Top View)

表 6-2. Pin Functions: TMUX7309F

NAME	PIN		TYPE ⁽¹⁾	DESCRIPTION
	TSSOP	WQFN		
A0	1	15	I	Logic control input address 0 (A0), has internal 4 MΩ pull-down resistor. Controls switch state as shown in セクション 9.4.3 .
EN	2	16	I	Active high logic enable (EN) pin, has internal 4 MΩ pull-down resistor. The device is disabled and all switches become high impedance when the pin is low. When the pin is high, the Ax logic inputs determine individual switch states as shown in セクション 9.4.3 .
V _{SS}	3	1	P	Negative power supply. This pin is the most negative power-supply potential. In single-supply applications, this pin can be connected to ground. For reliable operation, connect a decoupling capacitor ranging from 0.1 μF to 10 μF between V _{SS} and GND.
S1A	4	2	I/O	Overvoltage protected source pin 1A. Can be an input or output.
S2A	5	3	I/O	Overvoltage protected source pin 2A. Can be an input or output.
S3A	6	4	I/O	Overvoltage protected source pin 3A. Can be an input or output.
S4A	7	5	I/O	Overvoltage protected source pin 4A. Can be an input or output.
DA	8	6	I/O	Drain terminal A. Can be an input or output. The drain pin is not overvoltage protected.
DB	9	7	I/O	Drain terminal B. Can be an input or output. The drain pin is not overvoltage protected.
S4B	10	8	I/O	Overvoltage protected source pin 4B. Can be an input or output.
S3B	11	9	I/O	Overvoltage protected source pin 3B. Can be an input or output.
S2B	12	10	I/O	Overvoltage protected source pin 2B. Can be an input or output.
S1B	13	11	I/O	Overvoltage protected source pin 1B. Can be an input or output.
V _{DD}	14	12	P	Positive power supply. This pin is the most positive power-supply potential. For reliable operation, connect a decoupling capacitor ranging from 0.1 μF to 10 μF between V _{DD} and GND.
GND	15	13	P	Ground (0 V) reference
A1	16	14	I	Logic control input address 1 (A1), has internal 4 MΩ pull-down resistor. Controls switch state as shown in セクション 9.4.3 .
Thermal Pad			P	The thermal pad is not connected internally. It is recommended that the pad be tied to GND or V _{SS} for best performance.

(1) I = input, O = output, I/O = input and output, P = power

7 Specifications

7.1 Absolute Maximum Ratings

over operating free-air temperature range (unless otherwise noted)⁽¹⁾

		MIN	MAX	UNIT
V _{DD} to V _{SS}	Supply voltage		48	V
V _{DD} to GND		-0.3	48	V
V _{SS} to GND		-48	0.3	V
V _S to GND	Source input pin (Sx) voltage to GND	-65	65	V
V _S to V _{DD}	Source input pin (Sx) voltage to V _{DD}	-90		V
V _S to V _{SS}	Source input pin (Sx) voltage to V _{SS}		90	V
V _D	Drain pin (D or Dx) voltage	V _{SS} -0.7	V _{DD} +0.7	V
V _{EN} or V _{Ax}	Logic control input pin voltage (EN, A0, A1, A2) ⁽²⁾	GND-0.7	48	V
I _{EN} or I _{Ax}	Logic control input pin current (EN, A0, A1, A2) ⁽²⁾	-30	30	mA
I _S or I _D (CONT)	Source or drain continuous current (Sx or D)	I _{DC} ± 10 % ⁽³⁾	I _{DC} ± 10 % ⁽³⁾	mA
T _{stg}	Storage temperature	-65	150	°C
T _A	Ambient temperature	-55	150	°C
T _J	Junction temperature		150	°C
P _{tot} ⁽⁴⁾	Total power dissipation (QFN)		1600	mW
P _{tot} ⁽⁵⁾	Total power dissipation (TSSOP)		650	mW

- (1) Operation outside the *Absolute Maximum Ratings* may cause permanent device damage. Absolute maximum ratings do not imply functional operation of the device at these or any other conditions beyond those listed under *Recommended Operating Conditions*. If briefly operating outside the *Recommended Operating Conditions* but within the *Absolute Maximum Ratings*, the device may not sustain damage, but it may not be fully functional. Operating the device in this manner may affect device reliability, functionality, performance, and shorten the device lifetime.
- (2) Stresses have to be kept at or below both voltage and current ratings at all time.
- (3) Refer to Recommended Operating Conditions for I_{DC} ratings.
- (4) For QFN package: P_{tot} derates linearly above T_A = 70°C by 23.5 mW/°C
- (5) For TSSOP package: P_{tot} derates linearly above T_A = 70°C by 10.1 mW/°C

7.2 ESD Ratings

		VALUE	UNIT
V _(ESD)	Electrostatic discharge	Human body model (HBM), per ANSI/ESDA/JEDEC JS-001 ⁽¹⁾	±3500
		Charged device model (CDM), per JEDEC specification JESD22-C101 or ANSI/ESDA/JEDEC JS-002 ⁽²⁾	±750

- (1) JEDEC document JEP155 states that 500-V HBM allows safe manufacturing with a standard ESD control process. Manufacturing with less than 500-V HBM is possible if necessary precautions are taken.
- (2) JEDEC document JEP157 states that 250-V CDM allows safe manufacturing with a standard ESD control process. Manufacturing with less than 250-V CDM is possible if necessary precautions are taken.

7.3 Thermal Information

THERMAL METRIC ⁽¹⁾		TMUX7308F/ TMUX7309F		UNIT
		PW (TSSOP)	RRP (QFN)	
		16 PINS	16 PINS	
R _{θJA}	Junction-to-ambient thermal resistance	100.4	43.0	°C/W
R _{θJC(top)}	Junction-to-case (top) thermal resistance	31.3	28.8	°C/W
R _{θJB}	Junction-to-board thermal resistance	46.4	17.9	°C/W
Ψ _{JT}	Junction-to-top characterization parameter	1.7	0.4	°C/W
Ψ _{JB}	Junction-to-board characterization parameter	45.8	17.9	°C/W
R _{θJC(bot)}	Junction-to-case (bottom) thermal resistance	N/A	4.2	°C/W

(1) For more information about traditional and new thermal metrics, see the [Semiconductor and IC Package Thermal Metrics](#) application report.

7.4 Recommended Operating Conditions

over operating free-air temperature range (unless otherwise noted)

		MIN	NOM	MAX	UNIT
V _{DD} – V _{SS} ⁽¹⁾	Power supply voltage differential	8		44	V
V _{DD}	Positive power supply voltage	5		44	V
V _S	Source pin (Sx) voltage (non-fault condition)	V _{SS}		V _{DD}	V
V _S to GND	Source pin (Sx) voltage to GND (fault condition)	–60		60	V
V _S to V _{DD} ⁽²⁾	Source pin (Sx) voltage to V _{DD} or V _D (fault condition)	–85			V
V _S to V _{SS} ⁽²⁾	Source pin (Sx) voltage to V _{SS} or V _D (fault condition)			85	V
V _D	Drain pin (D, Dx) voltage	V _{SS}		V _{DD}	V
V _{EN} or V _{Ax}	Logic control input pin voltage (EN, A0, A1, A2)	0		44	V
T _A	Ambient temperature	–40		125	°C
I _{DC}	Continuous current through switch	T _A = 25°C		9	mA
		T _A = 85°C		6.5	
		T _A = 125°C		5	

(1) V_{DD} and V_{SS} can be any value as long as 8 V ≤ (V_{DD} – V_{SS}) ≤ 44 V, and the minimum V_{DD} is met.

(2) Under a fault condition, the potential difference between source pin (Sx) and supply pins (V_{DD} and V_{SS}) or source pin (Sx) and drain pins (D, Dx) may not exceed 85 V.

7.5 Electrical Characteristics (Global)

at T_A = 25°C (unless otherwise noted)

PARAMETER		TEST CONDITIONS	T _A	MIN	TYP	MAX	UNIT
ANALOG SWITCH							
V _T	Threshold voltage for fault detector		25°C		0.7		V
LOGIC INPUT/ OUTPUT							
V _{IH}	High-level input voltage	EN, Ax pins	–40°C to +125°C	1.3		44	V
V _{IL}	Low-level input voltage	EN, Ax pins	–40°C to +125°C	0		0.8	V
POWER SUPPLY							
V _{UVLO}	Undervoltage lockout (UVLO) threshold voltage (V _{DD} – V _{SS})	Rising edge, single supply	–40°C to +125°C	5.1	6	6.4	V
	Undervoltage lockout (UVLO) threshold voltage (V _{DD} – V _{SS})	Falling edge, single supply	–40°C to +125°C	5	5.8	6.3	V
V _{HYS}	V _{DD} Undervoltage lockout (UVLO) hysteresis	Single supply	–40°C to +125°C		0.2		V

7.5 Electrical Characteristics (Global) (continued)

at $T_A = 25^\circ\text{C}$ (unless otherwise noted)

PARAMETER		TEST CONDITIONS	T_A	MIN	TYP	MAX	UNIT
$R_{D(OVP)}$	Drain resistance to supply rail during overvoltage event on selected source pin		25°C		40		k Ω

7.6 ±15 V Dual Supply: Electrical Characteristics

$V_{DD} = +15\text{ V} \pm 10\%$, $V_{SS} = -15\text{ V} \pm 10\%$, GND = 0 V (unless otherwise noted)

Typical at $V_{DD} = +15\text{ V}$, $V_{SS} = -15\text{ V}$, $T_A = 25^\circ\text{C}$ (unless otherwise noted)

PARAMETER		TEST CONDITIONS	T_A	MIN	TYP	MAX	UNIT
ANALOG SWITCH							
R_{ON}	On-resistance	$V_S = -10\text{ V to }+10\text{ V}$, $I_S = -1\text{ mA}$	25°C	180	250		Ω
			-40°C to +85°C		330		
			-40°C to +125°C		390		
ΔR_{ON}	On-resistance mismatch between channels	$V_S = -10\text{ V to }+10\text{ V}$, $I_S = -1\text{ mA}$	25°C	2.5	8		Ω
			-40°C to +85°C		12		
			-40°C to +125°C		13		
R_{FLAT}	On-resistance flatness	$V_S = -10\text{ V to }+10\text{ V}$, $I_S = -1\text{ mA}$	25°C	1.5	3.5		Ω
			-40°C to +85°C		4		
			-40°C to +125°C		4		
R_{ON_DRIFT}	On-resistance drift	$V_S = 0\text{ V}$, $I_S = -1\text{ mA}$	-40°C to +125°C		1		$\Omega/^\circ\text{C}$
$I_{S(OFF)}$	Source off leakage current ⁽¹⁾	$V_{DD} = 16.5\text{ V}$, $V_{SS} = -16.5\text{ V}$ Switch state is off $V_S = +10\text{ V} / -10\text{ V}$ $V_D = -10\text{ V} / +10\text{ V}$	25°C	-1	0.1	1	nA
			-40°C to +85°C		-1	1	
			-40°C to +125°C		-4	4	
$I_{D(OFF)}$	Drain off leakage current ⁽¹⁾	$V_{DD} = 16.5\text{ V}$, $V_{SS} = -16.5\text{ V}$ Switch state is off $V_S = +10\text{ V} / -10\text{ V}$ $V_D = -10\text{ V} / +10\text{ V}$	25°C	-1	0.1	1	nA
			-40°C to +85°C		-3	3	
			-40°C to +125°C		-14	14	
$I_{S(ON)}$ $I_{D(ON)}$	Output on leakage current ⁽²⁾	$V_{DD} = 16.5\text{ V}$, $V_{SS} = -16.5\text{ V}$ Switch state is on $V_S = V_D = \pm 10\text{ V}$	25°C	-1.5	0.3	1.5	nA
			-40°C to +85°C		-5	5	
			-40°C to +125°C		-22	22	
FAULT CONDITION							
$I_{S(FA)}$	Input leakage current during overvoltage	$V_S = \pm 60\text{ V}$, GND = 0 V, $V_{DD} = 16.5\text{ V}$, $V_{SS} = -16.5\text{ V}$	-40°C to +125°C		±110		μA
$I_{S(FA)} \text{ Grounded}$	Input leakage current during overvoltage with grounded supply voltages	$V_S = \pm 60\text{ V}$, GND = 0 V $V_{DD} = V_{SS} = 0\text{ V}$	-40°C to +125°C		±135		μA
$I_{S(FA)} \text{ Floating}$	Input leakage current during overvoltage with floating supply voltages	$V_S = \pm 60\text{ V}$, GND = 0 V, $V_{DD} = V_{SS} = \text{floating}$	-40°C to +125°C		±135		μA
$I_{D(FA)}$	Output leakage current during overvoltage	$V_S = \pm 60\text{ V}$, GND = 0 V, $V_{DD} = 16.5\text{ V}$, $V_{SS} = -16.5\text{ V}$, $-15.5\text{ V} \leq V_D \leq 16.5\text{ V}$	25°C	-50	±10	50	nA
			-40°C to +85°C		-70	70	
			-40°C to +125°C		-90	90	
$I_{D(FA)} \text{ Grounded}$	Output leakage current during overvoltage with grounded supply voltages	$V_S = \pm 60\text{ V}$, GND = 0 V, $V_{DD} = V_{SS} = 0\text{ V}$	25°C	-50	±1	50	nA
			-40°C to +85°C		-100	100	
			-40°C to +125°C		-500	500	
$I_{D(FA)} \text{ Floating}$	Output leakage current during overvoltage with floating supply voltages	$V_S = \pm 60\text{ V}$, GND = 0 V, $V_{DD} = V_{SS} = \text{floating}$	25°C		±3		μA
			-40°C to +85°C		±5		
			-40°C to +125°C		±8		
LOGIC INPUT/ OUTPUT							
I_{IH}	High-level input current	$V_{EN} = V_{Ax} = V_{DD}$	25°C	-2	±0.6	2	μA
			-40°C to +125°C		-2	2	
I_{IL}	Low-level input current	$V_{EN} = V_{Ax} = 0\text{ V}$	25°C	-1.1	±0.6	1.1	μA
			-40°C to +125°C		-1.2	1.2	

7.6 ±15 V Dual Supply: Electrical Characteristics (continued)

$V_{DD} = +15\text{ V} \pm 10\%$, $V_{SS} = -15\text{ V} \pm 10\%$, $GND = 0\text{ V}$ (unless otherwise noted)

Typical at $V_{DD} = +15\text{ V}$, $V_{SS} = -15\text{ V}$, $T_A = 25^\circ\text{C}$ (unless otherwise noted)

PARAMETER		TEST CONDITIONS	T_A	MIN	TYP	MAX	UNIT
SWITCHING CHARACTERISTICS							
$t_{ON(EN)}$	Enable turn-on time	$V_S = 10\text{ V}$, $R_L = 4\text{ k}\Omega$, $C_L = 12\text{ pF}$	25°C	165	265		ns
			-40°C to +85°C		285		
			-40°C to +125°C		300		
$t_{OFF(EN)}$	Enable turn-off time	$V_S = 10\text{ V}$, $R_L = 4\text{ k}\Omega$, $C_L = 12\text{ pF}$	25°C	350	400		ns
			-40°C to +85°C		400		
			-40°C to +125°C		420		
t_{TRAN}	Transition time	$V_S = 10\text{ V}$, $R_L = 4\text{ k}\Omega$, $C_L = 12\text{ pF}$	25°C	170	225		ns
			-40°C to +85°C		245		
			-40°C to +125°C		260		
$t_{RESPONSE}$	Fault response time	$R_L = 4\text{ k}\Omega$, $C_L = 12\text{ pF}$	25°C	300			ns
$t_{RECOVERY}$	Fault recovery time	$R_L = 4\text{ k}\Omega$, $C_L = 12\text{ pF}$	25°C		1.2		μs
t_{BBM}	Break-before-make time delay	$V_S = 10\text{ V}$, $R_L = 4\text{ k}\Omega$, $C_L = 12\text{ pF}$	-40°C to +125°C	50	120		ns
Q_{INJ}	Charge injection	$V_S = 0\text{ V}$, $C_L = 1\text{ nF}$	25°C		-15		pC
O_{ISO}	Off-isolation	$R_S = 50\ \Omega$, $R_L = 50\ \Omega$, $C_L = 5\text{ pF}$, $V_S = 200\text{ mV}_{RMS}$, $V_{BIAS} = 0\text{ V}$, $f = 1\text{ MHz}$	25°C		-82		dB
X_{TALK}	Intra-channel crosstalk	$R_S = 50\ \Omega$, $R_L = 50\ \Omega$, $C_L = 5\text{ pF}$, $V_S = 200\text{ mV}_{RMS}$, $V_{BIAS} = 0\text{ V}$, $f = 1\text{ MHz}$	25°C		-95		dB
	Inter-channel crosstalk (TMUX7309F)				-103		
BW	-3 dB bandwidth (TMUX7308F)	$R_S = 50\ \Omega$, $R_L = 50\ \Omega$, $C_L = 5\text{ pF}$, $V_S = 200\text{ mV}_{RMS}$, $V_{BIAS} = 0\text{ V}$	25°C		150		MHz
	-3 dB bandwidth (TMUX7309F WQFN Package)				280		
	-3 dB bandwidth (TMUX7309F TSSOP Package)				240		
I_{LOSS}	Insertion loss	$R_S = 50\ \Omega$, $R_L = 50\ \Omega$, $C_L = 5\text{ pF}$, $V_S = 200\text{ mV}_{RMS}$, $V_{BIAS} = 0\text{ V}$, $f = 1\text{ MHz}$	25°C		-9		dB
THD+N	Total harmonic distortion plus noise	$R_S = 40\ \Omega$, $R_L = 10\text{ k}\Omega$, $V_S = 15\text{ V}_{PP}$, $V_{BIAS} = 0\text{ V}$, $f = 20\text{ Hz to } 20\text{ kHz}$	25°C		0.0015		%
$C_{S(OFF)}$	Input off-capacitance	$f = 1\text{ MHz}$, $V_S = 0\text{ V}$	25°C		3.5		pF
$C_{D(OFF)}$	Output off-capacitance (TMUX7308F)	$f = 1\text{ MHz}$, $V_S = 0\text{ V}$	25°C		28		pF
	Output off-capacitance (TMUX7309F)	$f = 1\text{ MHz}$, $V_S = 0\text{ V}$	25°C		15		pF
$C_{S(ON)}$ $C_{D(ON)}$	Input/Output on-capacitance (TMUX7308F)	$f = 1\text{ MHz}$, $V_S = 0\text{ V}$	25°C		30		pF
	Input/Output on-capacitance (TMUX7309F)	$f = 1\text{ MHz}$, $V_S = 0\text{ V}$	25°C		17		pF

7.6 ±15 V Dual Supply: Electrical Characteristics (continued)

$V_{DD} = +15\text{ V} \pm 10\%$, $V_{SS} = -15\text{ V} \pm 10\%$, $GND = 0\text{ V}$ (unless otherwise noted)

Typical at $V_{DD} = +15\text{ V}$, $V_{SS} = -15\text{ V}$, $T_A = 25^\circ\text{C}$ (unless otherwise noted)

PARAMETER		TEST CONDITIONS	T_A	MIN	TYP	MAX	UNIT
POWER SUPPLY							
I_{DD}	V_{DD} supply current	$V_{DD} = 16.5\text{ V}$, $V_{SS} = -16.5\text{ V}$, $V_{AX} = 0\text{ V}$, 5 V , or V_{DD} , $V_{EN} = 5\text{ V}$ or V_{DD}	25°C	0.25	0.5		mA
			-40°C to +85°C			0.5	
			-40°C to +125°C			0.5	
I_{SS}	V_{SS} supply current	$V_{DD} = 16.5\text{ V}$, $V_{SS} = -16.5\text{ V}$, $V_{AX} = 0\text{ V}$, 5 V , or V_{DD} , $V_{EN} = 5\text{ V}$ or V_{DD}	25°C	0.15	0.4		mA
			-40°C to +85°C			0.4	
			-40°C to +125°C			0.4	
I_{GND}	GND current	$V_{DD} = 16.5\text{ V}$, $V_{SS} = -16.5\text{ V}$, $V_{AX} = 0\text{ V}$, 5 V , or V_{DD} , $V_{EN} = 5\text{ V}$ or V_{DD}	25°C	0.075			mA
$I_{DD(FA)}$	V_{DD} supply current under fault	$V_S = \pm 60\text{ V}$, $V_{DD} = 16.5\text{ V}$, $V_{SS} = -16.5\text{ V}$, $V_{AX} = 0\text{ V}$, 5 V , or V_{DD} , $V_{EN} = 5\text{ V}$ or V_{DD}	25°C	0.25	1		mA
			-40°C to +85°C			1	
			-40°C to +125°C			1	
$I_{SS(FA)}$	V_{SS} supply current under fault	$V_S = \pm 60\text{ V}$, $V_{DD} = 16.5\text{ V}$, $V_{SS} = -16.5\text{ V}$, $V_{AX} = 0\text{ V}$, 5 V , or V_{DD} , $V_{EN} = 5\text{ V}$ or V_{DD}	25°C	0.15	0.5		mA
			-40°C to +85°C			0.5	
			-40°C to +125°C			0.5	
$I_{GND(FA)}$	GND current under fault	$V_S = \pm 60\text{ V}$, $V_{DD} = 16.5\text{ V}$, $V_{SS} = -16.5\text{ V}$, $V_{AX} = 0\text{ V}$, 5 V , or V_{DD} , $V_{EN} = 5\text{ V}$ or V_{DD}	25°C	0.15			mA
$I_{DD(DISABLE)}$	V_{DD} supply current (disable mode)	$V_{DD} = 16.5\text{ V}$, $V_{SS} = -16.5\text{ V}$, $V_{AX} = 0\text{ V}$, 5 V , or V_{DD} , $V_{EN} = 0\text{ V}$	25°C	0.15	0.5		mA
			-40°C to +85°C			0.5	
			-40°C to +125°C			0.5	
$I_{SS(DISABLE)}$	V_{SS} supply current (disable mode)	$V_{DD} = 16.5\text{ V}$, $V_{SS} = -16.5\text{ V}$, $V_{AX} = 0\text{ V}$, 5 V , or V_{DD} , $V_{EN} = 0\text{ V}$	25°C	0.1	0.4		mA
			-40°C to +85°C			0.4	
			-40°C to +125°C			0.4	

- (1) When V_S is positive, V_D is negative. And when V_S is negative, V_D is positive.
- (2) When V_S is at a voltage potential, V_D is floating. And when V_D is at a voltage potential, V_S is floating.

7.7 ±20 V Dual Supply: Electrical Characteristics

$V_{DD} = +20\text{ V} \pm 10\%$, $V_{SS} = -20\text{ V} \pm 10\%$, GND = 0 V (unless otherwise noted)

Typical at $V_{DD} = +20\text{ V}$, $V_{SS} = -20\text{ V}$, $T_A = 25^\circ\text{C}$ (unless otherwise noted)

PARAMETER		TEST CONDITIONS	T_A	MIN	TYP	MAX	UNIT
ANALOG SWITCH							
R_{ON}	On-resistance	$V_S = -15\text{ V to } +15\text{ V}$, $I_S = -1\text{ mA}$	25°C	180	250		Ω
			-40°C to +85°C			330	
			-40°C to +125°C			390	
ΔR_{ON}	On-resistance mismatch between channels	$V_S = -15\text{ V to } +15\text{ V}$, $I_S = -1\text{ mA}$	25°C	2.5	8		Ω
			-40°C to +85°C			12	
			-40°C to +125°C			13	
R_{FLAT}	On-resistance flatness	$V_S = -15\text{ V to } +15\text{ V}$, $I_S = -1\text{ mA}$	25°C	8	10		Ω
			-40°C to +85°C			12	
			-40°C to +125°C			12	
R_{FLAT}	On-resistance flatness	$V_S = -13.5\text{ V to } +13.5\text{ V}$, $I_S = -1\text{ mA}$	25°C	1.5	3.5		Ω
			-40°C to +85°C			4	
			-40°C to +125°C			4	
R_{ON_DRIFT}	On-resistance drift	$V_S = 0\text{ V}$, $I_S = -1\text{ mA}$	-40°C to +125°C		1		$\Omega/^\circ\text{C}$
$I_{S(OFF)}$	Source off leakage current ⁽¹⁾	$V_{DD} = 22\text{ V}$, $V_{SS} = -22\text{ V}$ Switch state is off $V_S = +15\text{ V} / -15\text{ V}$ $V_D = -15\text{ V} / +15\text{ V}$	25°C	-1	0.1	1	nA
			-40°C to +85°C			-1	
			-40°C to +125°C			-4	
$I_{D(OFF)}$	Drain off leakage current ⁽¹⁾	$V_{DD} = 22\text{ V}$, $V_{SS} = -22\text{ V}$ Switch state is off $V_S = +15\text{ V} / -15\text{ V}$ $V_D = -15\text{ V} / +15\text{ V}$	25°C	-1	0.1	1	nA
			-40°C to +85°C			-3	
			-40°C to +125°C			-14	
$I_{S(ON)}$ $I_{D(ON)}$	Output on leakage current ⁽²⁾	$V_{DD} = 22\text{ V}$, $V_{SS} = -22\text{ V}$ Switch state is on $V_S = V_D = \pm 15\text{ V}$	25°C	-1.5	0.3	1.5	nA
			-40°C to +85°C			-5	
			-40°C to +125°C			-22	
FAULT CONDITION							
$I_{S(FA)}$	Input leakage current during overvoltage	$V_S = \pm 60\text{ V}$, GND = 0 V, $V_{DD} = 22\text{ V}$, $V_{SS} = -22\text{ V}$	-40°C to +125°C		±95		μA
$I_{S(FA)}$ Grounded	Input leakage current during overvoltage with grounded supply voltages	$V_S = \pm 60\text{ V}$, GND = 0 V, $V_{DD} = V_{SS} = 0\text{ V}$	-40°C to +125°C		±135		μA
$I_{S(FA)}$ Floating	Input leakage current during overvoltage with floating supply voltages	$V_S = \pm 60\text{ V}$, GND = 0 V, $V_{DD} = V_{SS} = \text{floating}$	-40°C to +125°C		±135		μA
$I_{D(FA)}$	Output leakage current during overvoltage	$V_S = \pm 60\text{ V}$, GND = 0V, $V_{DD} = 22\text{ V}$, $V_{SS} = -22\text{ V}$, $-21\text{ V} \leq V_D \leq 22\text{ V}$	25°C	-50	±10	50	nA
			-40°C to +85°C			-70	
			-40°C to +125°C			-90	
$I_{D(FA)}$ Grounded	Output leakage current during overvoltage with grounded supply voltages	$V_S = \pm 60\text{ V}$, GND = 0 V, $V_{DD} = V_{SS} = 0\text{ V}$	25°C	-50	±1	50	nA
			-40°C to +85°C			-100	
			-40°C to +125°C			-500	
$I_{D(FA)}$ Floating	Output leakage current during overvoltage with floating supply voltages	$V_S = \pm 60\text{ V}$, GND = 0 V, $V_{DD} = V_{SS} = \text{floating}$	25°C		±3		μA
			-40°C to +85°C			±5	
			-40°C to +125°C			±8	
LOGIC INPUT/ OUTPUT							
I_{IH}	High-level input current	$V_{EN} = V_{Ax} = V_{DD}$	25°C	-2.2	± 0.6	2.2	μA
			-40°C to +125°C			-2.2	
I_{IL}	Low-level input current	$V_{EN} = V_{Ax} = 0\text{ V}$	25°C	-1.1	± 0.6	1.1	μA
			-40°C to +125°C			-1.2	

7.7 ±20 V Dual Supply: Electrical Characteristics (continued)

$V_{DD} = +20\text{ V} \pm 10\%$, $V_{SS} = -20\text{ V} \pm 10\%$, $GND = 0\text{ V}$ (unless otherwise noted)

Typical at $V_{DD} = +20\text{ V}$, $V_{SS} = -20\text{ V}$, $T_A = 25^\circ\text{C}$ (unless otherwise noted)

PARAMETER		TEST CONDITIONS	T_A	MIN	TYP	MAX	UNIT
SWITCHING CHARACTERISTICS							
$t_{ON(EN)}$	Enable turn-on time	$V_S = 10\text{ V}$, $R_L = 4\text{ k}\Omega$, $C_L = 12\text{ pF}$	25°C	175	300		ns
			-40°C to +85°C		325		
			-40°C to +125°C		350		
$t_{OFF(EN)}$	Enable turn-off time	$V_S = 10\text{ V}$, $R_L = 4\text{ k}\Omega$, $C_L = 12\text{ pF}$	25°C	350	400		ns
			-40°C to +85°C		400		
			-40°C to +125°C		420		
t_{TRAN}	Transition time	$V_S = 10\text{ V}$, $R_L = 4\text{ k}\Omega$, $C_L = 12\text{ pF}$	25°C	170	245		ns
			-40°C to +85°C		270		
			-40°C to +125°C		285		
$t_{RESPONSE}$	Fault response time	$R_L = 4\text{ k}\Omega$, $C_L = 12\text{ pF}$	25°C	300			ns
$t_{RECOVERY}$	Fault recovery time	$R_L = 4\text{ k}\Omega$, $C_L = 12\text{ pF}$	25°C	1.2			μs
t_{BBM}	Break-before-make time delay	$V_S = 10\text{ V}$, $R_L = 4\text{ k}\Omega$, $C_L = 12\text{ pF}$	-40°C to +125°C	50	120		ns
Q_{INJ}	Charge injection	$V_S = 0\text{ V}$, $C_L = 1\text{ nF}$	25°C	-17			pC
O_{ISO}	Off-isolation	$R_S = 50\ \Omega$, $R_L = 50\ \Omega$, $C_L = 5\text{ pF}$, $V_S = 200\text{ mV}_{RMS}$, $V_{BIAS} = 0\text{ V}$, $f = 1\text{ MHz}$	25°C	-85			dB
X_{TALK}	Intra-channel crosstalk	$R_S = 50\ \Omega$, $R_L = 50\ \Omega$, $C_L = 5\text{ pF}$, $V_S = 200\text{ mV}_{RMS}$, $V_{BIAS} = 0\text{ V}$, $f = 1\text{ MHz}$	25°C	-95			dB
	Inter-channel crosstalk (TMUX7309F)			-103			
BW	-3 dB bandwidth (TMUX7308F)	$R_S = 50\ \Omega$, $R_L = 50\ \Omega$, $C_L = 5\text{ pF}$, $V_S = 200\text{ mV}_{RMS}$, $V_{BIAS} = 0\text{ V}$	25°C	150			MHz
	-3 dB bandwidth (TMUX7309F WQFN Package)			285			
	-3 dB bandwidth (TMUX7309F TSSOP Package)			245			
I_{LOSS}	Insertion loss	$R_S = 50\ \Omega$, $R_L = 50\ \Omega$, $C_L = 5\text{ pF}$, $V_S = 200\text{ mV}_{RMS}$, $V_{BIAS} = 0\text{ V}$, $f = 1\text{ MHz}$	25°C	-9			dB
THD+N	Total harmonic distortion plus noise	$R_S = 40\ \Omega$, $R_L = 10\text{ k}\Omega$, $V_S = 20\text{ V}_{PP}$, $V_{BIAS} = 0\text{ V}$, $f = 20\text{ Hz to } 20\text{ kHz}$	25°C	0.0015			%
$C_{S(OFF)}$	Input off-capacitance	$f = 1\text{ MHz}$, $V_S = 0\text{ V}$	25°C	3.5			pF
$C_{D(OFF)}$	Output off-capacitance (TMUX7308F)	$f = 1\text{ MHz}$, $V_S = 0\text{ V}$	25°C	28			pF
	Output off-capacitance (TMUX7309F)	$f = 1\text{ MHz}$, $V_S = 0\text{ V}$	25°C	14			
$C_{S(ON)}$ $C_{D(ON)}$	Input/Output on-capacitance (TMUX7308F)	$f = 1\text{ MHz}$, $V_S = 0\text{ V}$	25°C	30			pF
	Input/Output on-capacitance (TMUX7309F)	$f = 1\text{ MHz}$, $V_S = 0\text{ V}$	25°C	16			

7.7 ±20 V Dual Supply: Electrical Characteristics (continued)

$V_{DD} = +20\text{ V} \pm 10\%$, $V_{SS} = -20\text{ V} \pm 10\%$, $GND = 0\text{ V}$ (unless otherwise noted)

Typical at $V_{DD} = +20\text{ V}$, $V_{SS} = -20\text{ V}$, $T_A = 25^\circ\text{C}$ (unless otherwise noted)

PARAMETER		TEST CONDITIONS	T_A	MIN	TYP	MAX	UNIT
POWER SUPPLY							
I_{DD}	V_{DD} supply current	$V_{DD} = 22\text{ V}$, $V_{SS} = -22\text{ V}$, $V_{AX} = 0\text{ V}$, 5 V , or V_{DD} , $V_{EN} = 5\text{ V}$ or V_{DD}	25°C	0.25	0.5		mA
			-40°C to +85°C			0.5	
			-40°C to +125°C			0.5	
I_{SS}	V_{SS} supply current	$V_{DD} = 22\text{ V}$, $V_{SS} = -22\text{ V}$, $V_{AX} = 0\text{ V}$, 5 V , or V_{DD} , $V_{EN} = 5\text{ V}$ or V_{DD}	25°C	0.15	0.4		mA
			-40°C to +85°C			0.4	
			-40°C to +125°C			0.4	
I_{GND}	GND current	$V_{DD} = 22\text{ V}$, $V_{SS} = -22\text{ V}$, $V_{AX} = 0\text{ V}$, 5 V , or V_{DD} , $V_{EN} = 5\text{ V}$ or V_{DD}	25°C	0.075			mA
$I_{DD(FA)}$	V_{DD} supply current under fault	$V_S = \pm 60\text{ V}$, $V_{DD} = 22\text{ V}$, $V_{SS} = -22\text{ V}$, $V_{AX} = 0\text{ V}$, 5 V , or V_{DD} , $V_{EN} = 5\text{ V}$ or V_{DD}	25°C	0.25	1		mA
			-40°C to +85°C			1	
			-40°C to +125°C			1	
$I_{SS(FA)}$	V_{SS} supply current under fault	$V_S = \pm 60\text{ V}$, $V_{DD} = 22\text{ V}$, $V_{SS} = -22\text{ V}$, $V_{AX} = 0\text{ V}$, 5 V , or V_{DD} , $V_{EN} = 5\text{ V}$ or V_{DD}	25°C	0.15	0.5		mA
			-40°C to +85°C			0.5	
			-40°C to +125°C			0.5	
$I_{GND(FA)}$	GND current under fault	$V_S = \pm 60\text{ V}$, $V_{DD} = 22\text{ V}$, $V_{SS} = -22\text{ V}$, $V_{AX} = 0\text{ V}$, 5 V , or V_{DD} , $V_{EN} = 5\text{ V}$ or V_{DD}	25°C	0.15			mA
$I_{DD(DISABLE)}$	V_{DD} supply current (disable mode)	$V_{DD} = 22\text{ V}$, $V_{SS} = -22\text{ V}$, $V_{AX} = 0\text{ V}$, 5 V , or V_{DD} , $V_{EN} = 0\text{ V}$	25°C	0.15	0.5		mA
			-40°C to +85°C			0.5	
			-40°C to +125°C			0.5	
$I_{SS(DISABLE)}$	V_{SS} supply current (disable mode)	$V_{DD} = 22\text{ V}$, $V_{SS} = -22\text{ V}$, $V_{AX} = 0\text{ V}$, 5 V , or V_{DD} , $V_{EN} = 0\text{ V}$	25°C	0.1	0.4		mA
			-40°C to +85°C			0.4	
			-40°C to +125°C			0.4	

- (1) When V_S is positive, V_D is negative. And when V_S is negative, V_D is positive.
- (2) When V_S is at a voltage potential, V_D is floating. And when V_D is at a voltage potential, V_S is floating.

7.8 12 V Single Supply: Electrical Characteristics

$V_{DD} = +12\text{ V} \pm 10\%$, $V_{SS} = 0\text{ V}$, $GND = 0\text{ V}$ (unless otherwise noted)

Typical at $V_{DD} = +12\text{ V}$, $V_{SS} = 0\text{ V}$, $T_A = 25^\circ\text{C}$ (unless otherwise noted)

PARAMETER		TEST CONDITIONS	T_A	MIN	TYP	MAX	UNIT	
ANALOG SWITCH								
R_{ON}	On-resistance	$V_S = 0\text{ V to } 7.8\text{ V}$, $I_S = -1\text{ mA}$	25°C		180	250	Ω	
			-40°C to +85°C			330	Ω	
			-40°C to +125°C			390	Ω	
ΔR_{ON}	On-resistance mismatch between channels	$V_S = 0\text{ V to } 7.8\text{ V}$, $I_S = -1\text{ mA}$	25°C		2.5	8	Ω	
			-40°C to +85°C			12		
			-40°C to +125°C			13		
R_{FLAT}	On-resistance flatness	$V_S = 0\text{ V to } 7.8\text{ V}$, $I_S = -1\text{ mA}$	25°C		7	30	Ω	
			-40°C to +85°C			45		
			-40°C to +125°C			75		
R_{FLAT}	On-resistance flatness	$V_S = 1\text{ V to } 7.8\text{ V}$, $I_S = -1\text{ mA}$	25°C		1.5	7	Ω	
			-40°C to +85°C			8		
			-40°C to +125°C			8		
R_{ON_DRIFT}	On-resistance drift	$V_S = 6\text{ V}$, $I_S = -1\text{ mA}$	-40°C to +125°C		1		$\Omega/^\circ\text{C}$	
$I_{S(OFF)}$	Source off leakage current ⁽¹⁾	$V_{DD} = 13.2\text{ V}$, $V_{SS} = 0\text{ V}$ Switch state is off $V_S = 10\text{ V} / 1\text{ V}$ $V_D = 1\text{ V} / 10\text{ V}$	25°C	-1	0.1	1	nA	
			-40°C to +85°C			-1		1
			-40°C to +125°C			-4		4
$I_{D(OFF)}$	Drain off leakage current ⁽¹⁾	$V_{DD} = 13.2\text{ V}$, $V_{SS} = 0\text{ V}$ Switch state is off $V_S = 10\text{ V} / 1\text{ V}$ $V_D = 1\text{ V} / 10\text{ V}$	25°C	-1	0.1	1	nA	
			-40°C to +85°C			-3		3
			-40°C to +125°C			-14		14
$I_{S(ON)}$ $I_{D(ON)}$	Output on leakage current ⁽²⁾	$V_{DD} = 13.2\text{ V}$, $V_{SS} = 0\text{ V}$ Switch state is on $V_S = V_D = 10\text{ V or } 1\text{ V}$	25°C	-1.5	0.3	1.5	nA	
			-40°C to +85°C			-5		5
			-40°C to +125°C			-22		22
FAULT CONDITION								
$I_{S(FA)}$	Input leakage current during overvoltage	$V_S = \pm 60\text{ V}$, $GND = 0\text{ V}$, $V_{DD} = 13.2\text{ V}$, $V_{SS} = 0\text{ V}$	-40°C to +125°C		± 145		μA	
$I_{S(FA)} \text{ Grounded}$	Input leakage current during overvoltage with grounded supply voltages	$V_S = \pm 60\text{ V}$, $GND = 0\text{ V}$, $V_{DD} = V_{SS} = 0\text{ V}$	-40°C to +125°C		± 135		μA	
$I_{S(FA)} \text{ Floating}$	Input leakage current during overvoltage with floating supply voltages	$V_S = \pm 60\text{ V}$, $GND = 0\text{ V}$, $V_{DD} = V_{SS} = \text{floating}$	-40°C to +125°C		± 135		μA	
$I_{D(FA)}$	Output leakage current during overvoltage	$V_S = \pm 60\text{ V}$, $GND = 0\text{ V}$, $V_{DD} = 13.2\text{ V}$, $V_{SS} = 0\text{ V}$, $1\text{ V} \leq V_D \leq 13.2\text{ V}$	25°C	-50	± 10	50	nA	
			-40°C to +85°C			-70		70
			-40°C to +125°C			-90		90
$I_{D(FA)} \text{ Grounded}$	Output leakage current during overvoltage with grounded supply voltages	$V_S = \pm 60\text{ V}$, $GND = 0\text{ V}$, $V_{DD} = V_{SS} = 0\text{ V}$	25°C	-50	± 1	50	nA	
			-40°C to +85°C			-100		100
			-40°C to +125°C			-500		500
$I_{D(FA)} \text{ Floating}$	Output leakage current during overvoltage with floating supply voltages	$V_S = \pm 60\text{ V}$, $GND = 0\text{ V}$, $V_{DD} = V_{SS} = \text{floating}$	25°C		± 3		μA	
			-40°C to +85°C			± 5		
			-40°C to +125°C			± 8		
LOGIC INPUT/ OUTPUT								
I_{IH}	High-level input current	$V_{EN} = V_{Ax} = V_{DD}$	25°C	-2	± 0.6	2	μA	
			-40°C to +125°C			-2		2
I_{IL}	Low-level input current	$V_{EN} = V_{Ax} = 0\text{ V}$	25°C	-1.1	± 0.6	1.1	μA	
			-40°C to +125°C			-1.2		1.2

7.8 12 V Single Supply: Electrical Characteristics (continued)

 $V_{DD} = +12\text{ V} \pm 10\%$, $V_{SS} = 0\text{ V}$, $GND = 0\text{ V}$ (unless otherwise noted)

 Typical at $V_{DD} = +12\text{ V}$, $V_{SS} = 0\text{ V}$, $T_A = 25^\circ\text{C}$ (unless otherwise noted)

PARAMETER		TEST CONDITIONS	T_A	MIN	TYP	MAX	UNIT
SWITCHING CHARACTERISTICS							
$t_{ON(EN)}$	Enable turn-on time	$V_S = 8\text{ V}$, $R_L = 4\text{ k}\Omega$, $C_L = 12\text{ pF}$	25°C	160	265		ns
			–40°C to +85°C		285		
			–40°C to +125°C		300		
$t_{OFF(EN)}$	Enable turn-off time	$V_S = 8\text{ V}$, $R_L = 4\text{ k}\Omega$, $C_L = 12\text{ pF}$	25°C	420	485		ns
			–40°C to +85°C		485		
			–40°C to +125°C		500		
t_{TRAN}	Transition time	$V_S = 8\text{ V}$, $R_L = 4\text{ k}\Omega$, $C_L = 12\text{ pF}$	25°C	160	215		ns
			–40°C to +85°C		230		
			–40°C to +125°C		240		
$t_{RESPONSE}$	Fault response time	$R_L = 4\text{ k}\Omega$, $C_L = 12\text{ pF}$	25°C		220		ns
$t_{RECOVERY}$	Fault recovery time	$R_L = 4\text{ k}\Omega$, $C_L = 12\text{ pF}$	25°C		0.63		μs
t_{BBM}	Break-before-make time delay	$V_S = 10\text{ V}$, $R_L = 4\text{ k}\Omega$, $C_L = 12\text{ pF}$	–40°C to +125°C	30	90		ns
Q_{INJ}	Charge injection	$V_S = 6\text{ V}$, $C_L = 1\text{ nF}$	25°C		–11		pC
O_{ISO}	Off-isolation	$R_S = 50\ \Omega$, $R_L = 50\ \Omega$, $C_L = 5\text{ pF}$, $V_S = 200\text{ mV}_{RMS}$, $V_{BIAS} = 6\text{ V}$, $f = 1\text{ MHz}$	25°C		–76		dB
X_{TALK}	Intra-channel crosstalk	$R_S = 50\ \Omega$, $R_L = 50\ \Omega$, $C_L = 5\text{ pF}$, $V_S = 200\text{ mV}_{RMS}$, $V_{BIAS} = 6\text{ V}$, $f = 1\text{ MHz}$	25°C		–93		dB
	Inter-channel crosstalk (TMUX7309F)				–103		
BW	–3 dB bandwidth (TMUX7308F)	$R_S = 50\ \Omega$, $R_L = 50\ \Omega$, $C_L = 5\text{ pF}$, $V_S = 200\text{ mV}_{RMS}$, $V_{BIAS} = 6\text{ V}$	25°C		130		MHz
	–3 dB bandwidth (TMUX7309F WQFN Package)				250		
	–3 dB bandwidth (TMUX7309F TSSOP Package)				218		
I_{LOSS}	Insertion loss	$R_S = 50\ \Omega$, $R_L = 50\ \Omega$, $C_L = 5\text{ pF}$, $V_S = 200\text{ mV}_{RMS}$, $V_{BIAS} = 6\text{ V}$, $f = 1\text{ MHz}$	25°C		–9		dB
THD+N	Total harmonic distortion plus noise	$R_S = 40\ \Omega$, $R_L = 10\text{ k}\Omega$, $V_S = 6\text{ V}_{PP}$, $V_{BIAS} = 6\text{ V}$, $f = 20\text{ Hz}$ to 20 kHz	25°C		0.002		%
$C_{S(OFF)}$	Input off-capacitance	$f = 1\text{ MHz}$, $V_S = 6\text{ V}$	25°C		4		pF
$C_{D(OFF)}$	Output off-capacitance (TMUX7308F)	$f = 1\text{ MHz}$, $V_S = 6\text{ V}$	25°C		31		pF
	Output off-capacitance (TMUX7309F)	$f = 1\text{ MHz}$, $V_S = 6\text{ V}$	25°C		16		
$C_{S(ON)}$ $C_{D(ON)}$	Input/Output on-capacitance (TMUX7308F)	$f = 1\text{ MHz}$, $V_S = 6\text{ V}$	25°C		34		pF
	Input/Output on-capacitance (TMUX7309F)	$f = 1\text{ MHz}$, $V_S = 6\text{ V}$	25°C		20		

7.8 12 V Single Supply: Electrical Characteristics (continued)

$V_{DD} = +12\text{ V} \pm 10\%$, $V_{SS} = 0\text{ V}$, $GND = 0\text{ V}$ (unless otherwise noted)

Typical at $V_{DD} = +12\text{ V}$, $V_{SS} = 0\text{ V}$, $T_A = 25^\circ\text{C}$ (unless otherwise noted)

PARAMETER		TEST CONDITIONS	T_A	MIN	TYP	MAX	UNIT
POWER SUPPLY							
I_{DD}	V_{DD} supply current	$V_{DD} = 13.2\text{ V}$, $V_{SS} = 0\text{ V}$, $V_{AX} = 0\text{ V}$, 5 V , or V_{DD} , $V_{EN} = 5\text{ V}$ or V_{DD}	25°C	0.25	0.5		mA
			-40°C to +85°C			0.5	
			-40°C to +125°C			0.5	
I_{SS}	V_{SS} supply current	$V_{DD} = 13.2\text{ V}$, $V_{SS} = 0\text{ V}$, $V_{AX} = 0\text{ V}$, 5 V , or V_{DD} , $V_{EN} = 5\text{ V}$ or V_{DD}	25°C	0.15	0.4		mA
			-40°C to +85°C			0.4	
			-40°C to +125°C			0.4	
I_{GND}	GND current	$V_{DD} = 13.2\text{ V}$, $V_{SS} = 0\text{ V}$, $V_{AX} = 0\text{ V}$, 5 V , or V_{DD} , $V_{EN} = 5\text{ V}$ or V_{DD}	25°C	0.075			mA
$I_{DD(FA)}$	V_{DD} supply current under fault	$V_S = \pm 60\text{ V}$, $V_{DD} = 13.2\text{ V}$, $V_{SS} = 0\text{ V}$, $V_{AX} = 0\text{ V}$, 5 V , or V_{DD} , $V_{EN} = 5\text{ V}$ or V_{DD}	25°C	0.25	1		mA
			-40°C to +85°C			1	
			-40°C to +125°C			1	
$I_{SS(FA)}$	V_{SS} supply current under fault	$V_S = \pm 60\text{ V}$, $V_{DD} = 13.2\text{ V}$, $V_{SS} = 0\text{ V}$, $V_{AX} = 0\text{ V}$, 5 V , or V_{DD} , $V_{EN} = 5\text{ V}$ or V_{DD}	25°C	0.15	0.5		mA
			-40°C to +85°C			0.5	
			-40°C to +125°C			0.5	
$I_{GND(FA)}$	GND current under fault	$V_S = \pm 60\text{ V}$, $V_{DD} = 13.2\text{ V}$, $V_{SS} = 0\text{ V}$, $V_{AX} = 0\text{ V}$, 5 V , or V_{DD} , $V_{EN} = 5\text{ V}$ or V_{DD}	25°C	0.17			mA
$I_{DD(DISABLE)}$	V_{DD} supply current (disable mode)	$V_{DD} = 13.2\text{ V}$, $V_{SS} = 0\text{ V}$, $V_{AX} = 0\text{ V}$, 5 V , or V_{DD} , $V_{EN} = 0\text{ V}$	25°C	0.15	0.5		mA
			-40°C to +85°C			0.5	
			-40°C to +125°C			0.5	
$I_{SS(DISABLE)}$	V_{SS} supply current (disable mode)	$V_{DD} = 13.2\text{ V}$, $V_{SS} = 0\text{ V}$, $V_{AX} = 0\text{ V}$, 5 V , or V_{DD} , $V_{EN} = 0\text{ V}$	25°C	0.1	0.4		mA
			-40°C to +85°C			0.4	
			-40°C to +125°C			0.4	

(1) When V_S is 10 V, V_D is 1 V. Or when V_S is 1 V, V_D is 10 V.

(2) When V_S is at a voltage potential, V_D is floating. Or when V_D is at a voltage potential, V_S is floating.

7.9 36 V Single Supply: Electrical Characteristics

$V_{DD} = +36\text{ V} \pm 10\%$, $V_{SS} = 0\text{ V}$, $GND = 0\text{ V}$ (unless otherwise noted)
Typical at $V_{DD} = +36\text{ V}$, $V_{SS} = 0\text{ V}$, $T_A = 25^\circ\text{C}$ (unless otherwise noted)

PARAMETER		TEST CONDITIONS	T_A	MIN	TYP	MAX	UNIT
ANALOG SWITCH							
R_{ON}	On-resistance	$V_S = 0\text{ V to } 28\text{ V}$, $I_S = -1\text{ mA}$	25°C	180	250		Ω
			-40°C to +85°C			330	
			-40°C to +125°C			390	
ΔR_{ON}	On-resistance mismatch between channels	$V_S = 0\text{ V to } 28\text{ V}$, $I_S = -1\text{ mA}$	25°C	2.5	8		Ω
			-40°C to +85°C			12	
			-40°C to +125°C			13	
R_{FLAT}	On-resistance flatness	$V_S = 0\text{ V to } 30\text{ V}$, $I_S = -1\text{ mA}$	25°C	8	65		Ω
			-40°C to +85°C			75	
			-40°C to +125°C			90	
R_{FLAT}	On-resistance flatness	$V_S = 1\text{ V to } 28\text{ V}$, $I_S = -1\text{ mA}$	25°C	1.5	3		Ω
			-40°C to +85°C			4	
			-40°C to +125°C			4	
R_{ON_DRIFT}	On-resistance drift	$V_S = 18\text{ V}$, $I_S = -1\text{ mA}$	-40°C to +125°C		1		$\Omega/^\circ\text{C}$
$I_{S(OFF)}$	Source off leakage current ⁽¹⁾	$V_{DD} = 39.6\text{ V}$, $V_{SS} = 0\text{ V}$ Switch state is off $V_S = 30\text{ V} / 1\text{ V}$ $V_D = 1\text{ V} / 30\text{ V}$	25°C	-1	0.1	1	nA
			-40°C to +85°C			-1	
			-40°C to +125°C			-4	
$I_{D(OFF)}$	Output on leakage current ⁽²⁾	$V_{DD} = 39.6\text{ V}$, $V_{SS} = 0\text{ V}$ Switch state is off $V_S = 30\text{ V} / 1\text{ V}$ $V_D = 1\text{ V} / 30\text{ V}$	25°C	-1	0.1	1	nA
			-40°C to +85°C			-3	
			-40°C to +125°C			-14	
$I_{S(ON)}$ $I_{D(ON)}$	Output on leakage current ⁽¹⁾	$V_{DD} = 39.6\text{ V}$, $V_{SS} = 0\text{ V}$ Switch state is on $V_S = V_D = 30\text{ V or } 1\text{ V}$	25°C	-1.5	0.3	1.5	nA
			-40°C to +85°C			-5	
			-40°C to +125°C			-22	
FAULT CONDITION							
$I_{S(FA)}$	Input leakage current during overvoltage	$V_S = 60 / -40\text{ V}$, $GND = 0\text{ V}$ $V_{DD} = 39.6\text{ V}$, $V_{SS} = 0\text{ V}$	-40°C to +125°C		± 110		μA
$I_{S(FA)}$ Grounded	Input leakage current during overvoltage with grounded supply voltages	$V_S = \pm 60\text{ V}$, $GND = 0\text{ V}$ $V_{DD} = V_{SS} = 0\text{ V}$	-40°C to +125°C		± 135		μA
$I_{S(FA)}$ Floating	Input leakage current during overvoltage with floating supply voltages	$V_S = \pm 60\text{ V}$, $GND = 0\text{ V}$ $V_{DD} = V_{SS} = \text{floating}$	-40°C to +125°C		± 135		μA
$I_{D(FA)}$	Output leakage current during overvoltage	$V_S = 60 / -40\text{ V}$, $GND = 0\text{ V}$, $V_{DD} = 39.6\text{ V}$, $V_{SS} = 0\text{ V}$, $1\text{ V} \leq V_D \leq 39.6\text{ V}$	25°C	-50	± 10	50	nA
			-40°C to +85°C			-70	
			-40°C to +125°C			-90	
$I_{D(FA)}$ Grounded	Output leakage current during overvoltage with grounded supply voltages	$V_S = \pm 60\text{ V}$, $GND = 0\text{ V}$, $V_{DD} = V_{SS} = 0\text{ V}$	25°C	-50	± 1	50	nA
			-40°C to +85°C			-100	
			-40°C to +125°C			-500	
$I_{D(FA)}$ Floating	Output leakage current during overvoltage with floating supply voltages	$V_S = \pm 60\text{ V}$, $GND = 0\text{ V}$, $V_{DD} = V_{SS} = \text{floating}$	25°C		± 3		μA
			-40°C to +85°C			± 5	
			-40°C to +125°C			± 8	
LOGIC INPUT/ OUTPUT							
I_{IH}	High-level input current	$V_{EN} = V_{Ax} = V_{DD}$	25°C	-3.2	± 0.6	3.2	μA
			-40°C to +125°C			-3.2	
I_{IL}	Low-level input current	$V_{EN} = V_{Ax} = 0\text{ V}$	25°C	-1.1	± 0.6	1.1	μA
			-40°C to +125°C			-1.2	

7.9 36 V Single Supply: Electrical Characteristics (continued)

$V_{DD} = +36\text{ V} \pm 10\%$, $V_{SS} = 0\text{ V}$, $GND = 0\text{ V}$ (unless otherwise noted)

Typical at $V_{DD} = +36\text{ V}$, $V_{SS} = 0\text{ V}$, $T_A = 25^\circ\text{C}$ (unless otherwise noted)

PARAMETER		TEST CONDITIONS	T_A	MIN	TYP	MAX	UNIT
SWITCHING CHARACTERISTICS							
$t_{ON(EN)}$	Enable turn-on time	$V_S = 18\text{ V}$, $R_L = 4\text{ k}\Omega$, $C_L = 12\text{ pF}$	25°C	185	390		ns
			-40°C to +85°C			460	
			-40°C to +125°C			530	
$t_{OFF(EN)}$	Enable turn-off time	$V_S = 18\text{ V}$, $R_L = 4\text{ k}\Omega$, $C_L = 12\text{ pF}$	25°C	380	450		ns
			-40°C to +85°C			450	
			-40°C to +125°C			450	
t_{TRAN}	Transition time	$V_S = 18\text{ V}$, $R_L = 4\text{ k}\Omega$, $C_L = 12\text{ pF}$	25°C	185	230		ns
			-40°C to +85°C			245	
			-40°C to +125°C			255	
$t_{RESPONSE}$	Fault response time	$R_L = 4\text{ k}\Omega$, $C_L = 12\text{ pF}$	25°C		210		ns
$t_{RECOVERY}$	Fault recovery time	$R_L = 4\text{ k}\Omega$, $C_L = 12\text{ pF}$	25°C		0.63		μs
t_{BBM}	Break-before-make time delay	$V_S = 18\text{ V}$, $R_L = 4\text{ k}\Omega$, $C_L = 12\text{ pF}$	-40°C to +125°C	50	100		ns
Q_{INJ}	Charge injection	$V_S = 18\text{ V}$, $C_L = 1\text{ nF}$	25°C		-16		pC
O_{ISO}	Off-isolation	$R_S = 50\ \Omega$, $R_L = 50\ \Omega$, $C_L = 5\text{ pF}$, $V_S = 200\text{ mV}_{RMS}$, $V_{BIAS} = 6\text{ V}$, $f = 1\text{ MHz}$	25°C		-78		dB
X_{TALK}	Intra-channel crosstalk	$R_S = 50\ \Omega$, $R_L = 50\ \Omega$, $C_L = 5\text{ pF}$, $V_S = 200\text{ mV}_{RMS}$, $V_{BIAS} = 6\text{ V}$, $f = 1\text{ MHz}$	25°C		-95		dB
	Inter-channel crosstalk (TMUX7309F)				-103		
BW	-3 dB bandwidth (TMUX7308F)	$R_S = 50\ \Omega$, $R_L = 50\ \Omega$, $C_L = 5\text{ pF}$, $V_S = 200\text{ mV}_{RMS}$, $V_{BIAS} = 6\text{ V}$	25°C		130		MHz
	-3 dB bandwidth (TMUX7309F WQFN Package)				255		
	-3 dB bandwidth (TMUX7309F TSSOP Package)				220		
I_{LOSS}	Insertion loss	$R_S = 50\ \Omega$, $R_L = 50\ \Omega$, $C_L = 5\text{ pF}$, $V_S = 200\text{ mV}_{RMS}$, $V_{BIAS} = 6\text{ V}$, $f = 1\text{ MHz}$	25°C		-9		dB
THD+N	Total harmonic distortion plus noise	$R_S = 40\ \Omega$, $R_L = 10\text{ k}\Omega$, $V_S = 18\text{ V}_{PP}$, $V_{BIAS} = 18\text{ V}$, $f = 20\text{ Hz to } 20\text{ kHz}$	25°C		0.0015		%
$C_{S(OFF)}$	Input off-capacitance	$f = 1\text{ MHz}$, $V_S = 18\text{ V}$	25°C		4		pF
$C_{D(OFF)}$	Output off-capacitance (TMUX7308F)	$f = 1\text{ MHz}$, $V_S = 18\text{ V}$	25°C		31		pF
	Output off-capacitance (TMUX7309F)	$f = 1\text{ MHz}$, $V_S = 18\text{ V}$	25°C		16		
$C_{S(ON)}$ $C_{D(ON)}$	Input/Output on-capacitance (TMUX7308F)	$f = 1\text{ MHz}$, $V_S = 18\text{ V}$	25°C		34		pF
	Input/Output on-capacitance (TMUX7309F)	$f = 1\text{ MHz}$, $V_S = 18\text{ V}$	25°C		19		

7.9 36 V Single Supply: Electrical Characteristics (continued)

$V_{DD} = +36\text{ V} \pm 10\%$, $V_{SS} = 0\text{ V}$, $GND = 0\text{ V}$ (unless otherwise noted)

Typical at $V_{DD} = +36\text{ V}$, $V_{SS} = 0\text{ V}$, $T_A = 25^\circ\text{C}$ (unless otherwise noted)

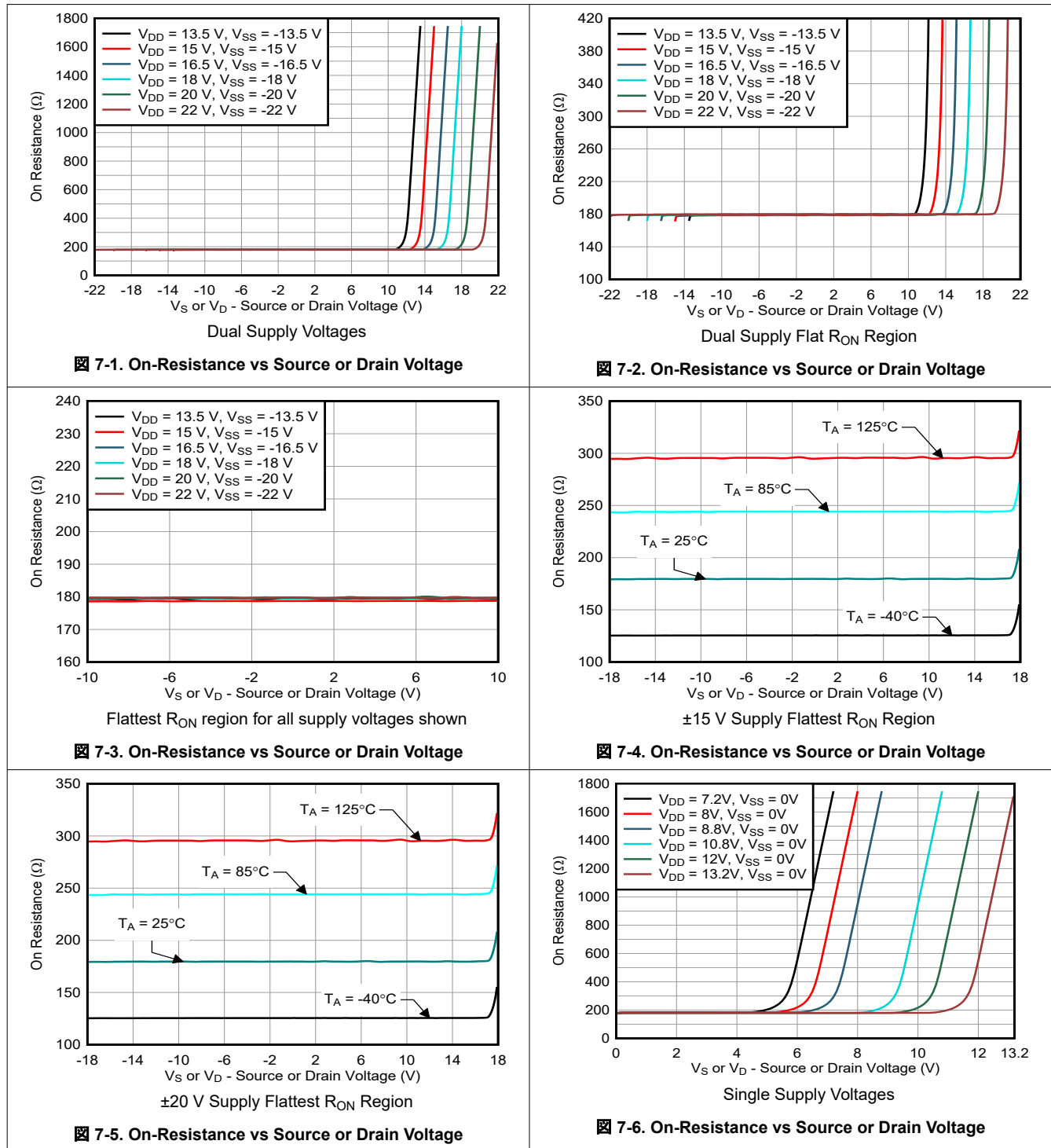
PARAMETER		TEST CONDITIONS	T_A	MIN	TYP	MAX	UNIT
POWER SUPPLY							
I_{DD}	V_{DD} supply current	$V_{DD} = 39.6\text{ V}$, $V_{SS} = 0\text{ V}$, $V_{AX} = 0\text{ V}$, 5 V , or V_{DD} , $V_{EN} = 5\text{ V}$ or V_{DD}	25°C	0.25	0.5		mA
			-40°C to +85°C			0.5	
			-40°C to +125°C			0.5	
I_{SS}	V_{SS} supply current	$V_{DD} = 39.6\text{ V}$, $V_{SS} = 0\text{ V}$, $V_{AX} = 0\text{ V}$, 5 V , or V_{DD} , $V_{EN} = 5\text{ V}$ or V_{DD}	25°C	0.15	0.4		mA
			-40°C to +85°C			0.4	
			-40°C to +125°C			0.4	
I_{GND}	GND current	$V_{DD} = 39.6\text{ V}$, $V_{SS} = 0\text{ V}$, $V_{AX} = 0\text{ V}$, 5 V , or V_{DD} , $V_{EN} = 5\text{ V}$ or V_{DD}	25°C	0.075			mA
$I_{DD(FA)}$	V_{DD} supply current under fault	$V_S = 60 / -40\text{ V}$, $V_{DD} = 39.6\text{ V}$, $V_{SS} = 0\text{ V}$, $V_{AX} = 0\text{ V}$, 5 V , or V_{DD} , $V_{EN} = 5\text{ V}$ or V_{DD}	25°C	0.25	1		mA
			-40°C to +85°C			1	
			-40°C to +125°C			1	
$I_{SS(FA)}$	V_{SS} supply current under fault	$V_S = 60 / -40\text{ V}$, $V_{DD} = 39.6\text{ V}$, $V_{SS} = 0\text{ V}$, $V_{AX} = 0\text{ V}$, 5 V , or V_{DD} , $V_{EN} = 5\text{ V}$ or V_{DD}	25°C	0.15	0.5		mA
			-40°C to +85°C			0.5	
			-40°C to +125°C			0.5	
$I_{GND(FA)}$	GND current under fault	$V_S = 60 / -40\text{ V}$, $V_{DD} = 39.6\text{ V}$, $V_{SS} = 0\text{ V}$, $V_{AX} = 0\text{ V}$, 5 V , or V_{DD} , $V_{EN} = 5\text{ V}$ or V_{DD}	25°C	0.15			mA
$I_{DD(DISABLE)}$	V_{DD} supply current (disable mode)	$V_{DD} = 39.6\text{ V}$, $V_{SS} = 0\text{ V}$, $V_{AX} = 0\text{ V}$, 5 V , or V_{DD} , $V_{EN} = 0\text{ V}$	25°C	0.15	0.5		mA
			-40°C to +85°C			0.5	
			-40°C to +125°C			0.5	
$I_{SS(DISABLE)}$	V_{SS} supply current (disable mode)	$V_{DD} = 39.6\text{ V}$, $V_{SS} = 0\text{ V}$, $V_{AX} = 0\text{ V}$, 5 V , or V_{DD} , $V_{EN} = 0\text{ V}$	25°C	0.1	0.4		mA
			-40°C to +85°C			0.4	
			-40°C to +125°C			0.4	

(1) When V_S is 30 V, V_D is 1 V. Or when V_S is 1 V, V_D is 30 V.

(2) When V_S is at a voltage potential, V_D is floating. Or when V_D is at a voltage potential, V_S is floating.

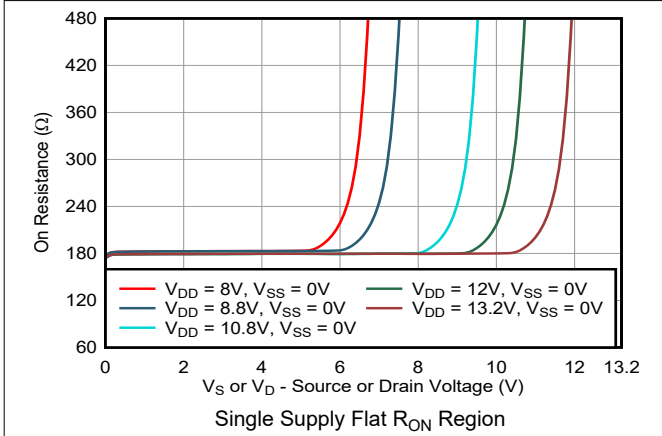
7.10 Typical Characteristics

at $T_A = 25^\circ\text{C}$, $V_{DD} = 15\text{ V}$, and $V_{SS} = -15\text{ V}$ (unless otherwise noted)

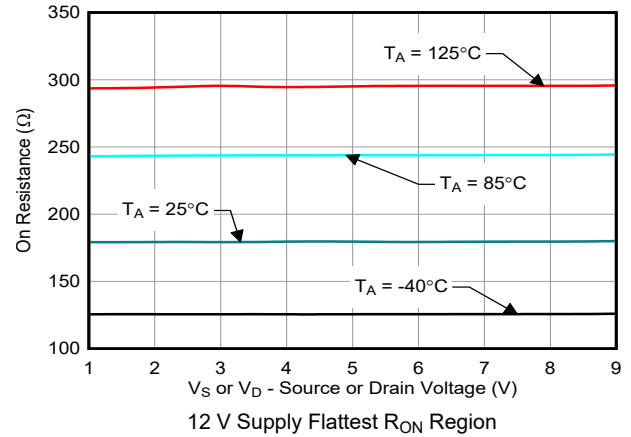


7.10 Typical Characteristics (continued)

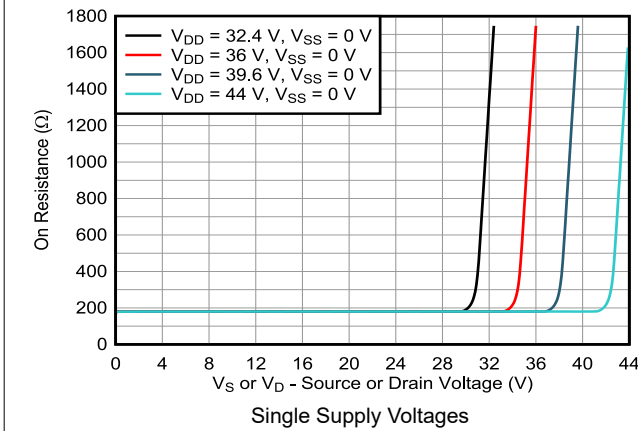
at $T_A = 25^\circ\text{C}$, $V_{DD} = 15\text{ V}$, and $V_{SS} = -15\text{ V}$ (unless otherwise noted)



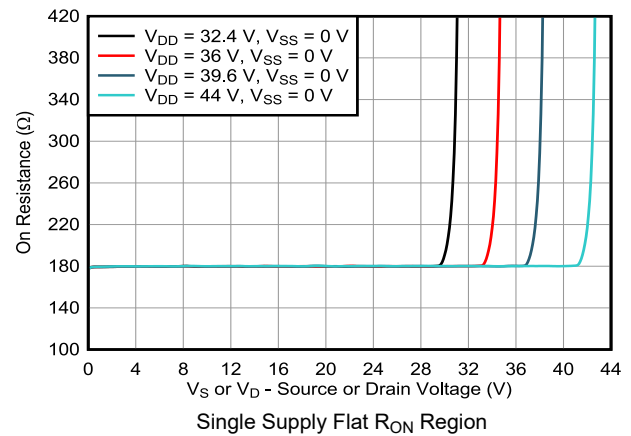
7-7. On-Resistance vs Source or Drain Voltage



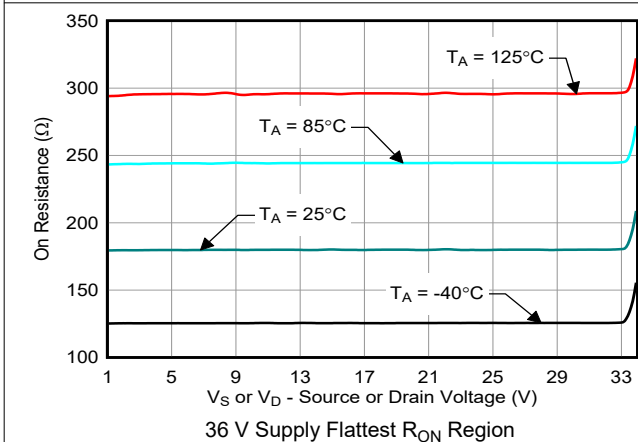
7-8. On-Resistance vs Source or Drain Voltage



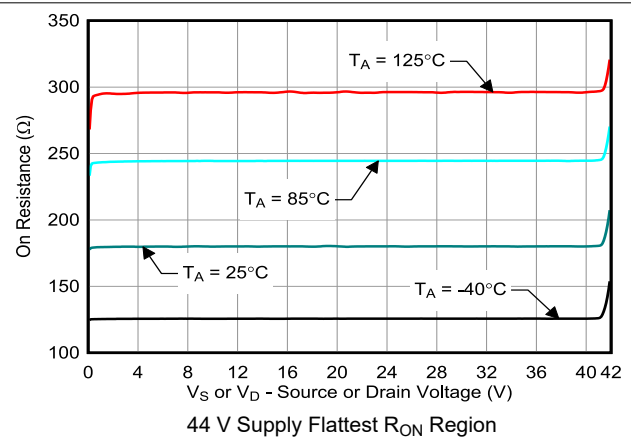
7-9. On-Resistance vs Source or Drain Voltage



7-10. On-Resistance vs Source or Drain Voltage



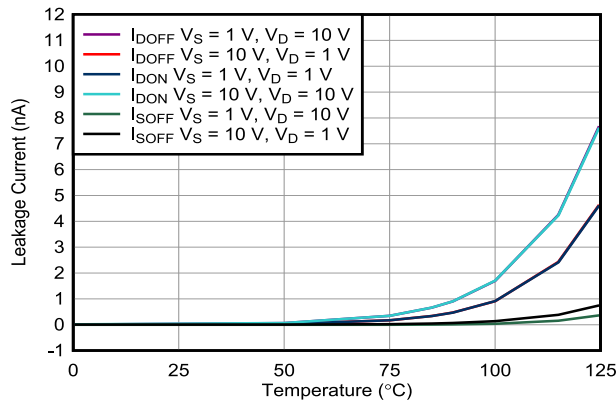
7-11. On-Resistance vs Source or Drain Voltage



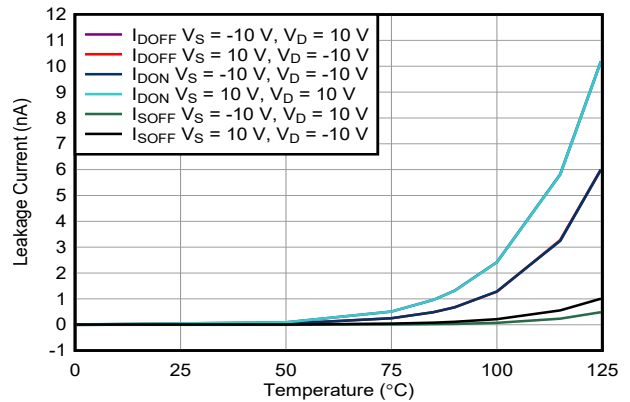
7-12. On-Resistance vs Source or Drain Voltage

7.10 Typical Characteristics (continued)

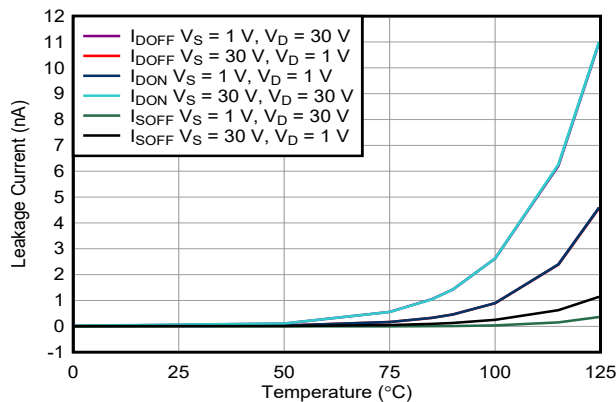
at $T_A = 25^\circ\text{C}$, $V_{DD} = 15\text{ V}$, and $V_{SS} = -15\text{ V}$ (unless otherwise noted)



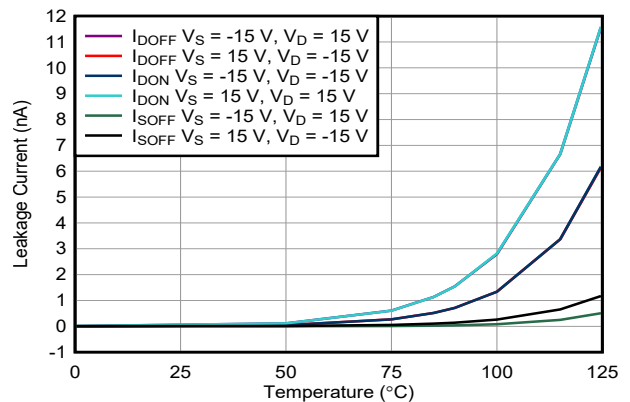
7-13. Leakage Current vs Temperature



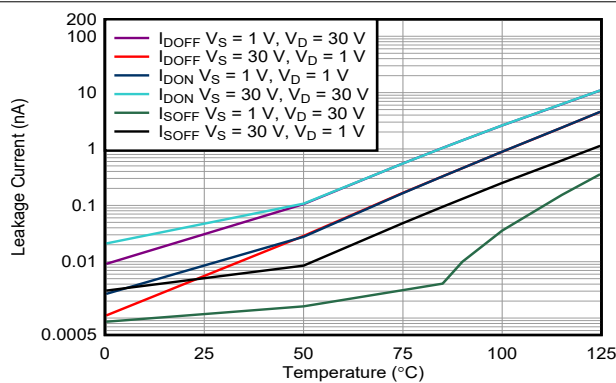
7-14. Leakage Current vs Temperature



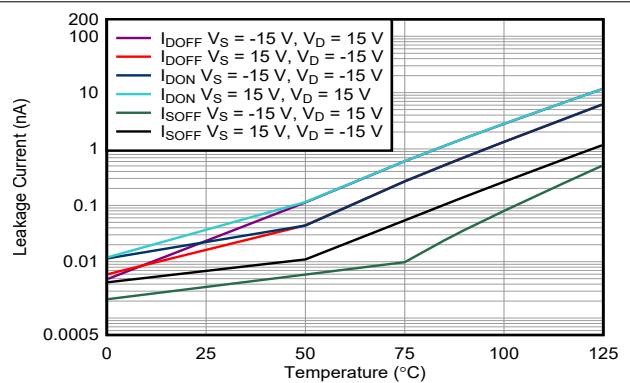
7-15. Leakage Current vs Temperature



7-16. Leakage Current vs Temperature



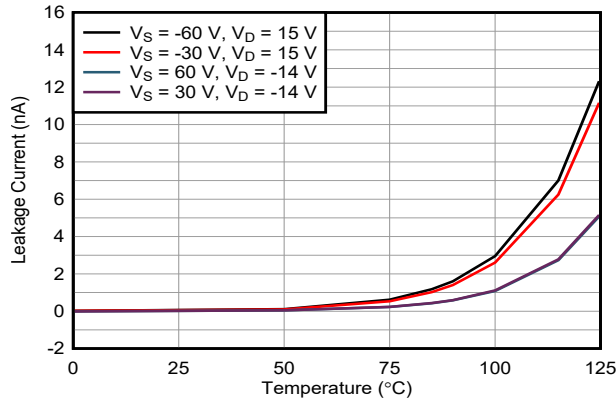
7-17. Leakage Current vs Temperature



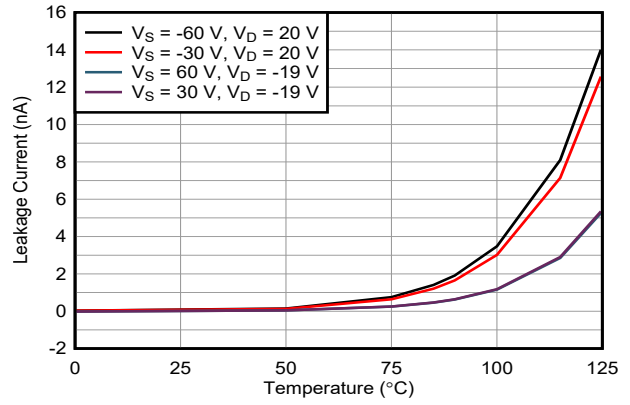
7-18. Leakage Current vs Temperature

7.10 Typical Characteristics (continued)

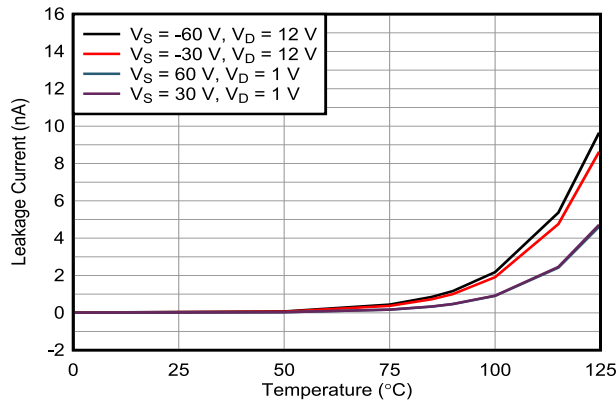
at $T_A = 25^\circ\text{C}$, $V_{DD} = 15\text{ V}$, and $V_{SS} = -15\text{ V}$ (unless otherwise noted)



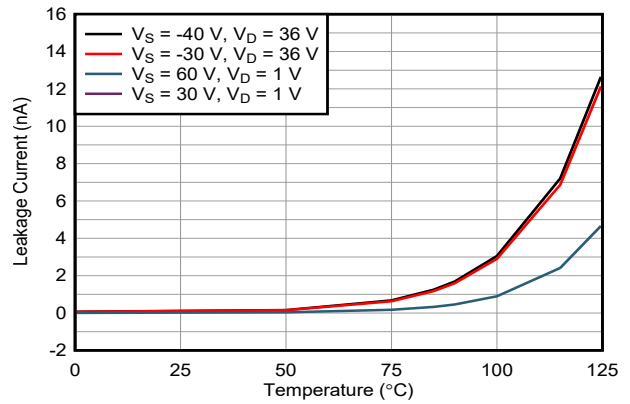
7-19. $I_{D(FA)}$ Overvoltage Leakage Current vs Temperature



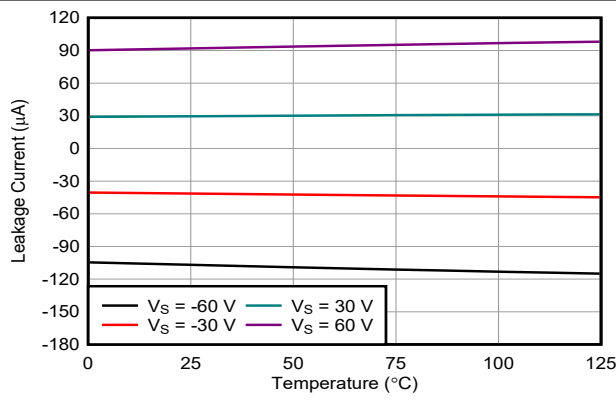
7-20. $I_{D(FA)}$ Overvoltage Leakage Current vs Temperature



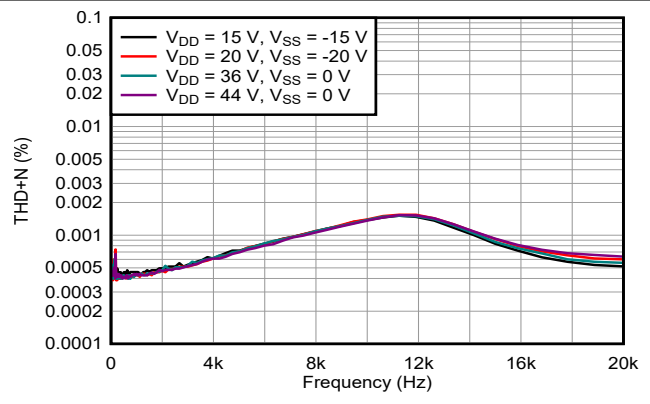
7-21. $I_{D(FA)}$ Overvoltage Leakage Current vs Temperature



7-22. $I_{D(FA)}$ Overvoltage Leakage Current vs Temperature



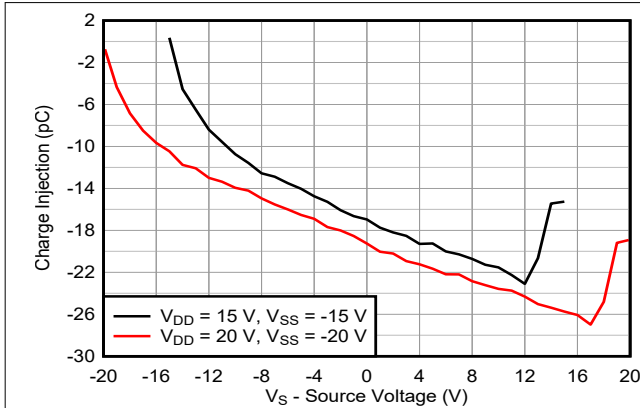
7-23. $I_{S(FA)}$ Overvoltage Leakage Current vs Temperature



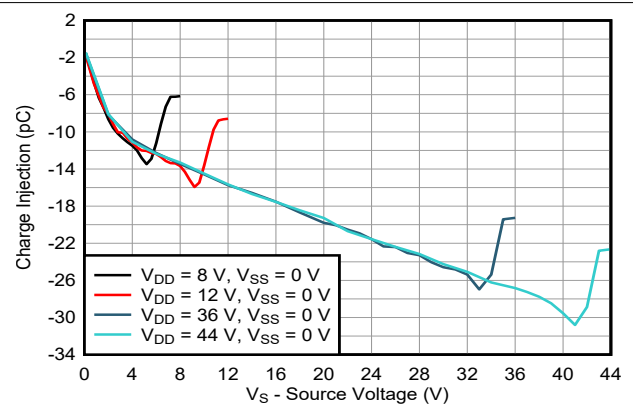
7-24. THD+N vs Frequency

7.10 Typical Characteristics (continued)

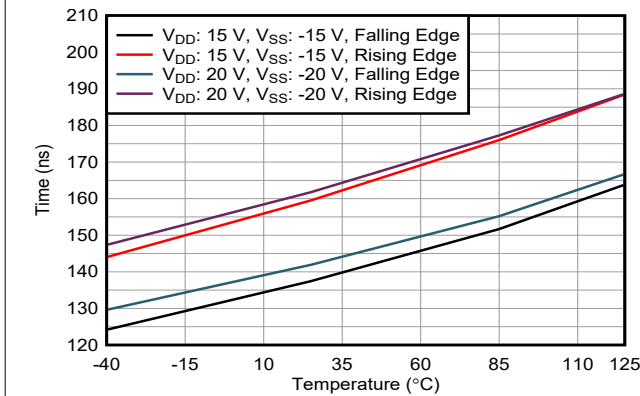
at $T_A = 25^\circ\text{C}$, $V_{DD} = 15\text{ V}$, and $V_{SS} = -15\text{ V}$ (unless otherwise noted)



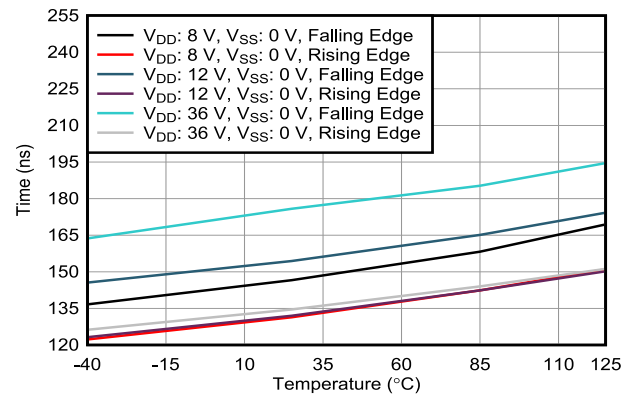
7-25. Charge Injection vs Source Voltage – Dual Supply



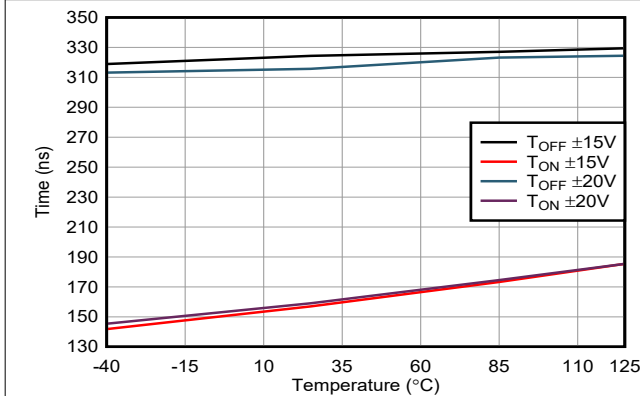
7-26. Charge Injection vs Source Voltage – Single Supply



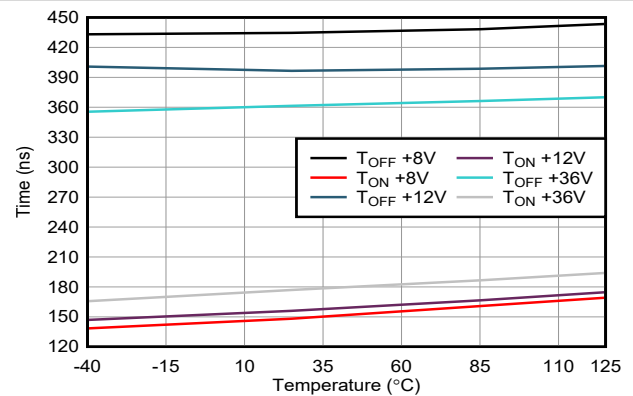
7-27. Transition Times vs Temperature



7-28. Transition Times vs Temperature



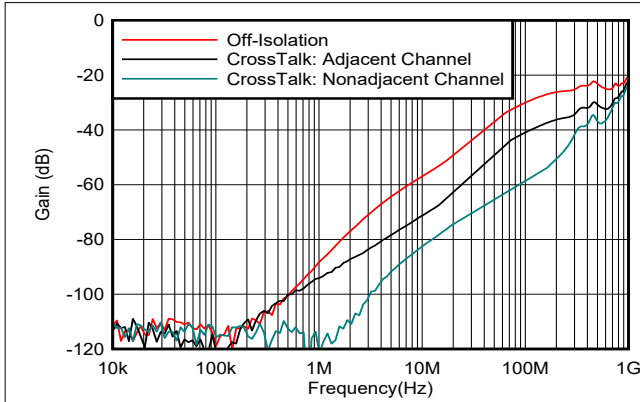
7-29. Turn-On and Turn-Off Times vs Temperature



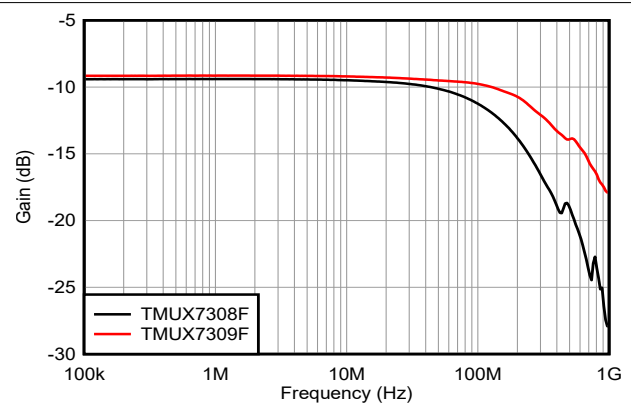
7-30. Turn-On and Turn-Off Times vs Temperature

7.10 Typical Characteristics (continued)

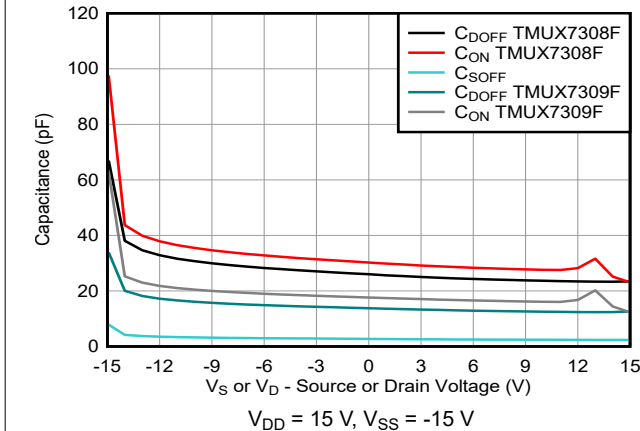
at $T_A = 25^\circ\text{C}$, $V_{DD} = 15\text{ V}$, and $V_{SS} = -15\text{ V}$ (unless otherwise noted)



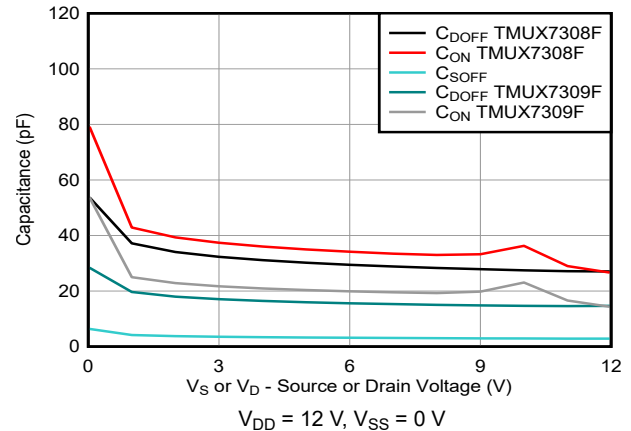
7-31. Off Isolation and Crosstalk vs Frequency



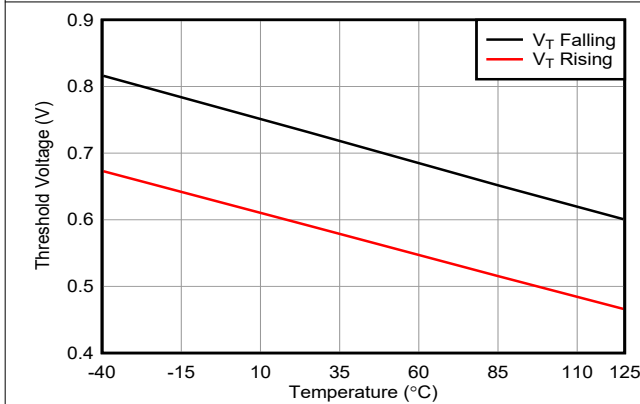
7-32. On Response vs Frequency



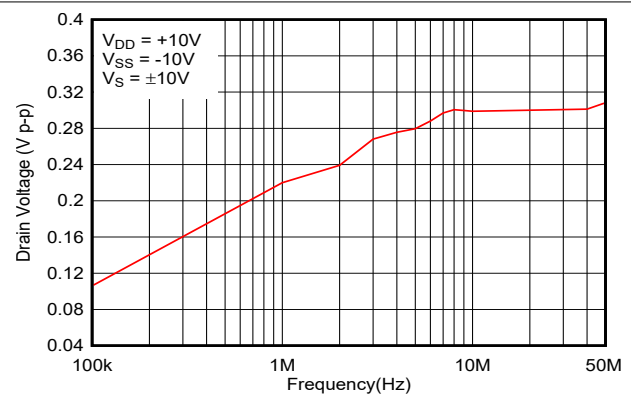
7-33. Capacitance vs Source or Drain Voltage



7-34. Capacitance vs Source or Drain Voltage



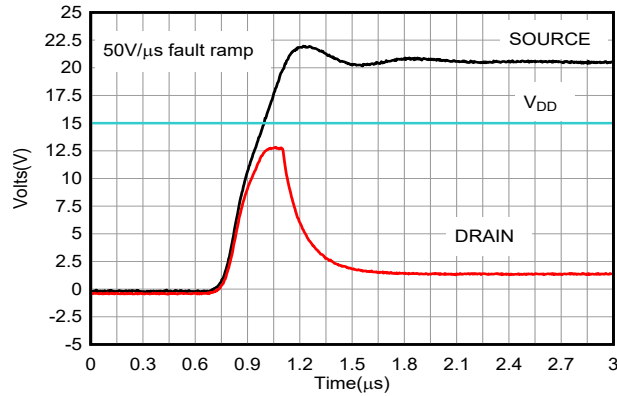
7-35. Threshold Voltage vs Temperature



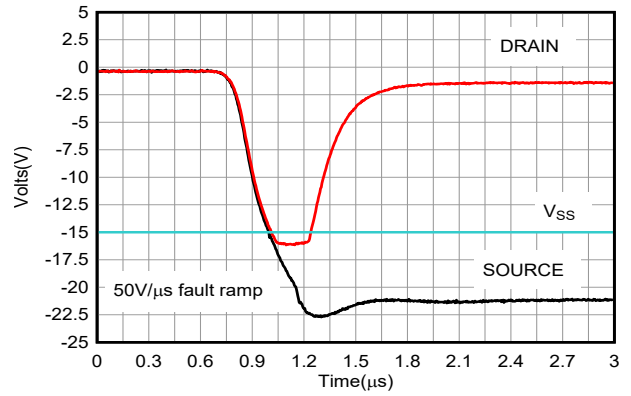
7-36. Large Signal Voltage Off Isolation vs Frequency

7.10 Typical Characteristics (continued)

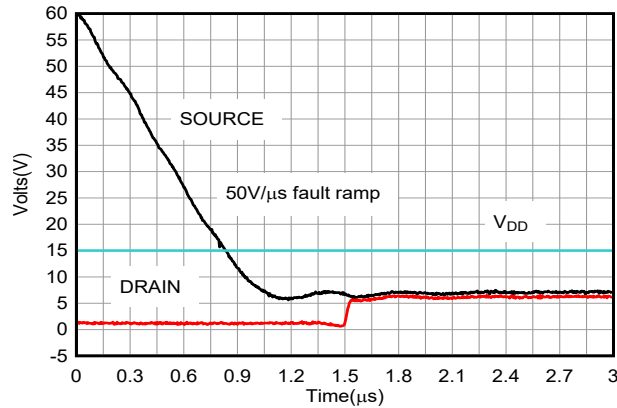
at $T_A = 25^\circ\text{C}$, $V_{DD} = 15\text{ V}$, and $V_{SS} = -15\text{ V}$ (unless otherwise noted)



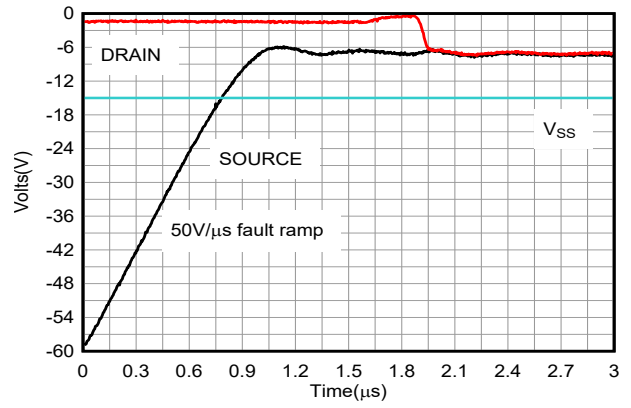
7-37. Drain Output Response – Positive Overtolerance



7-38. Drain Output Response – Negative Overtolerance



7-39. Drain Output Recovery – Positive Overtolerance



7-40. Drain Output Recovery – Negative Overtolerance

8 Parameter Measurement Information

8.1 On-Resistance

The on-resistance of the TMUX7308F and TMUX7309F is the ohmic resistance across the source (Sx) and drain (Dx) pins of the device. The on-resistance varies with input voltage and supply voltage. The symbol R_{ON} is used to denote on-resistance. Figure 8-1 shows the measurement setup used to measure R_{ON} . ΔR_{ON} represents the difference between the R_{ON} of any two channels, while R_{ON_FLAT} denotes the flatness that is defined as the difference between the maximum and minimum value of the on-resistance measured over the specified analog signal range.

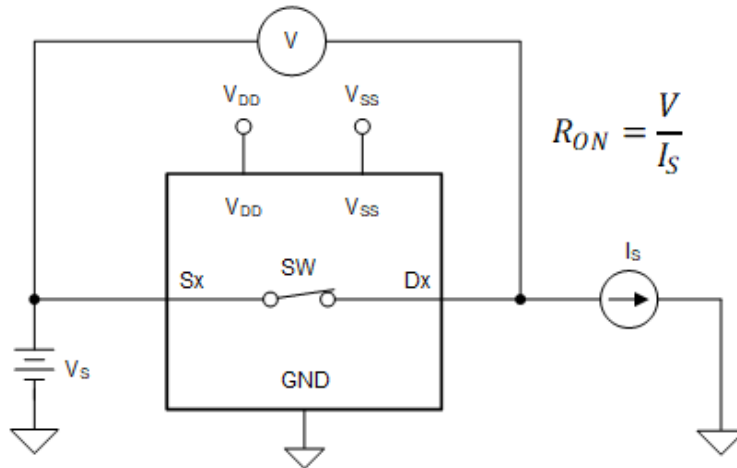


Figure 8-1. On-Resistance Measurement Setup

8.2 Off-Leakage Current

There are two types of leakage currents associated with a switch during the off state, which follows:

1. Source off-leakage current $I_{S(OFF)}$: the leakage current flowing into or out of the source pin when the switch is off.
2. Drain off-leakage current $I_{D(OFF)}$: the leakage current flowing into or out of the drain pin when the switch is off.

Figure 8-2 shows the setup used to measure both off-leakage currents.

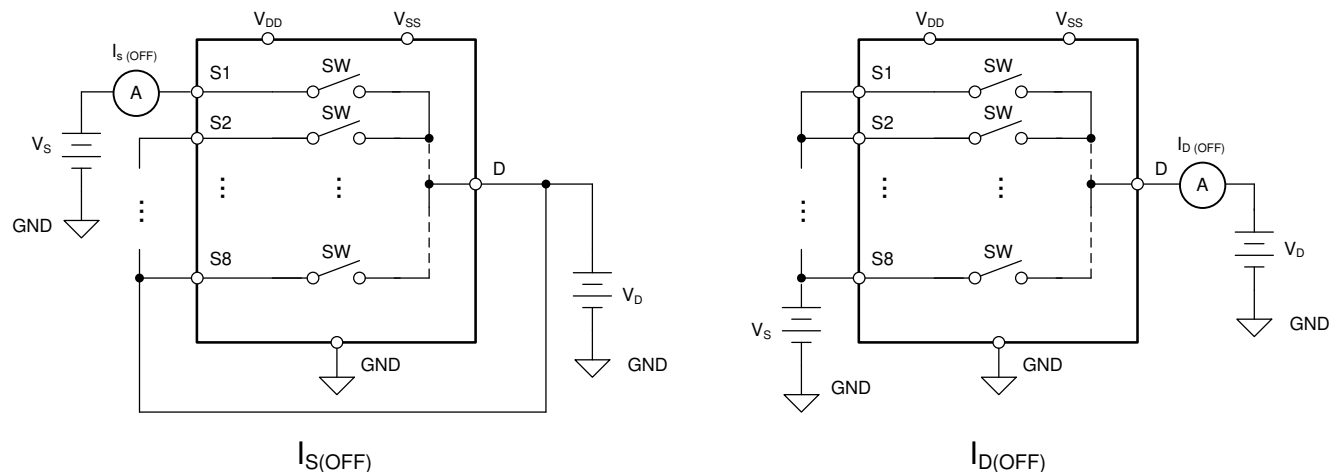
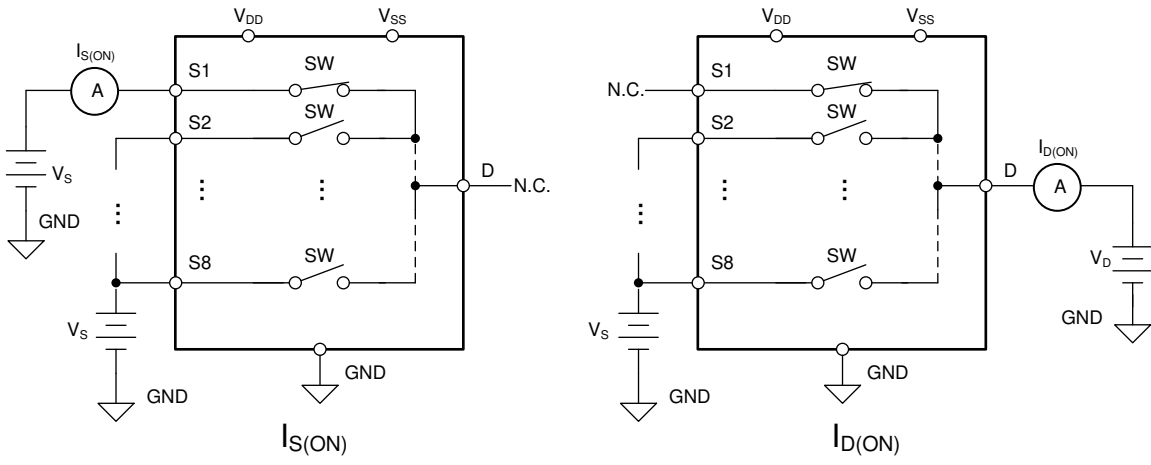
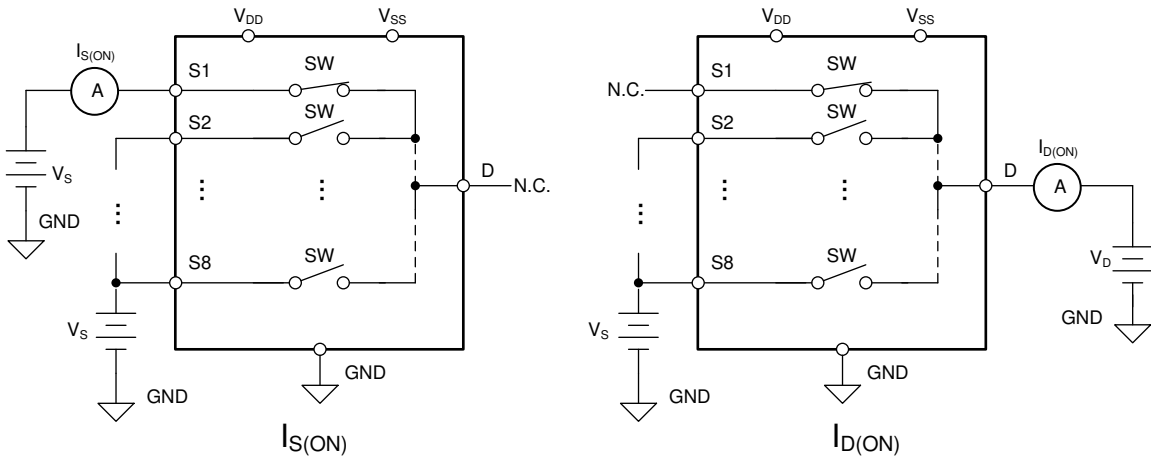


Figure 8-2. Off-Leakage Measurement Setup

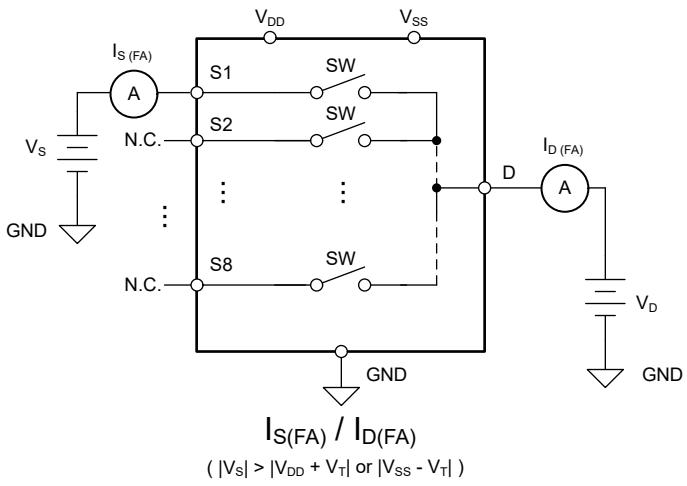

8.3 On-Leakage Current

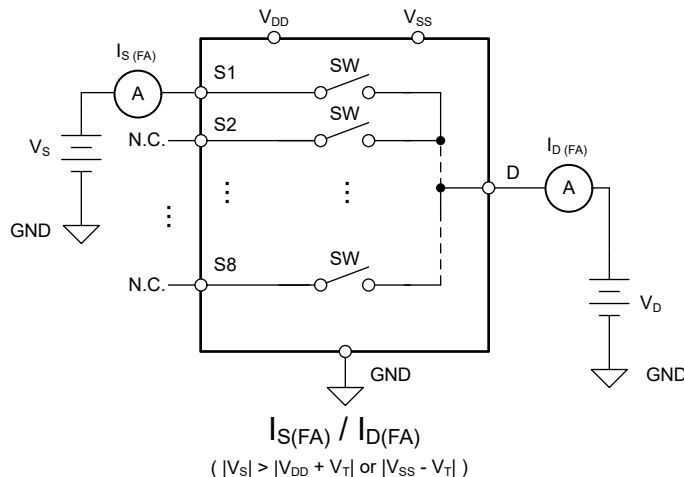
Source on-leakage current ($I_{S(ON)}$) and drain on-leakage current ($I_{D(ON)}$) denote the channel leakage currents when the switch is in the on state. $I_{S(ON)}$ is measured with the drain floating, while $I_{D(ON)}$ is measured with the source floating.  shows the circuit used for measuring the on-leakage currents.



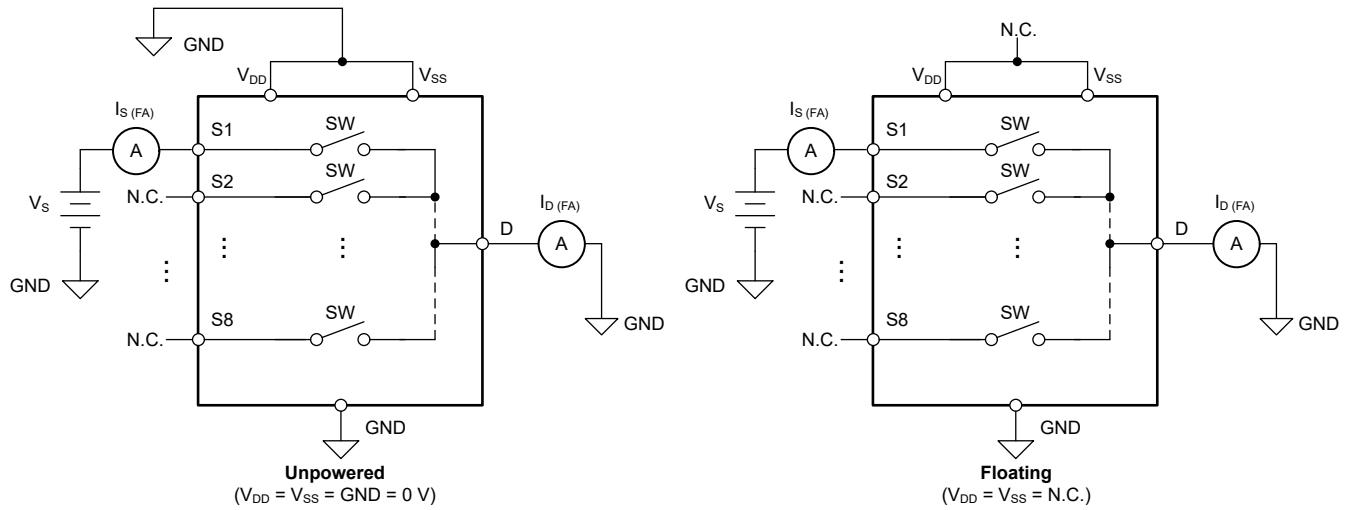
 8-3. On-Leakage Measurement Setup

8.4 Input and Output Leakage Current Under Overvoltage Fault

If the voltage on any source pin goes above the supplies (V_{DD} or V_{SS}) by one threshold voltage (V_T), the overvoltage protection feature of the TMUX7308F and TMUX7309F is triggered to turn off the switch under fault, keeping the fault channel in a high-impedance state. $I_{S(FA)}$ and $I_{D(FA)}$ denotes the input and output leakage current under overvoltage fault conditions, respectively. For $I_{D(FA)}$ the device is disabled to measure leakage current on the drain pin without being impacted by the 40 k Ω impedance to the fault supply. When the overvoltage fault occurs, the supply (or supplies) can either be in normal operating condition () or abnormal operating condition (). During abnormal operating condition, the supply (or supplies) can either be unpowered ($V_{DD} = V_{SS} = 0$ V) or floating ($V_{DD} = V_{SS} = \text{no connection}$), and remains within the leakage performance specifications.



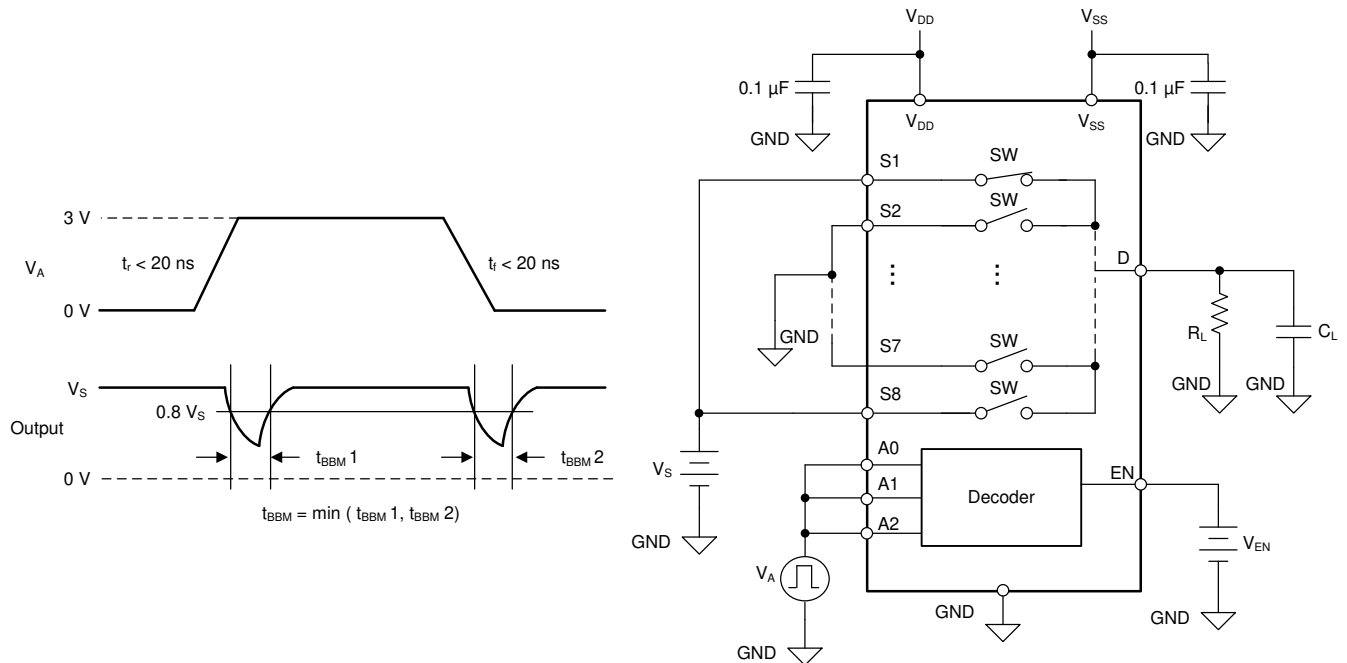
 8-4. Measurement Setup for Input and Output Leakage Current under Overvoltage Fault with Normal Supplies



8-5. Measurement Setup for Input and Output Leakage Current under Overvoltage Fault with Unpowered or Floating Supplies


8.5 Break-Before-Make Delay

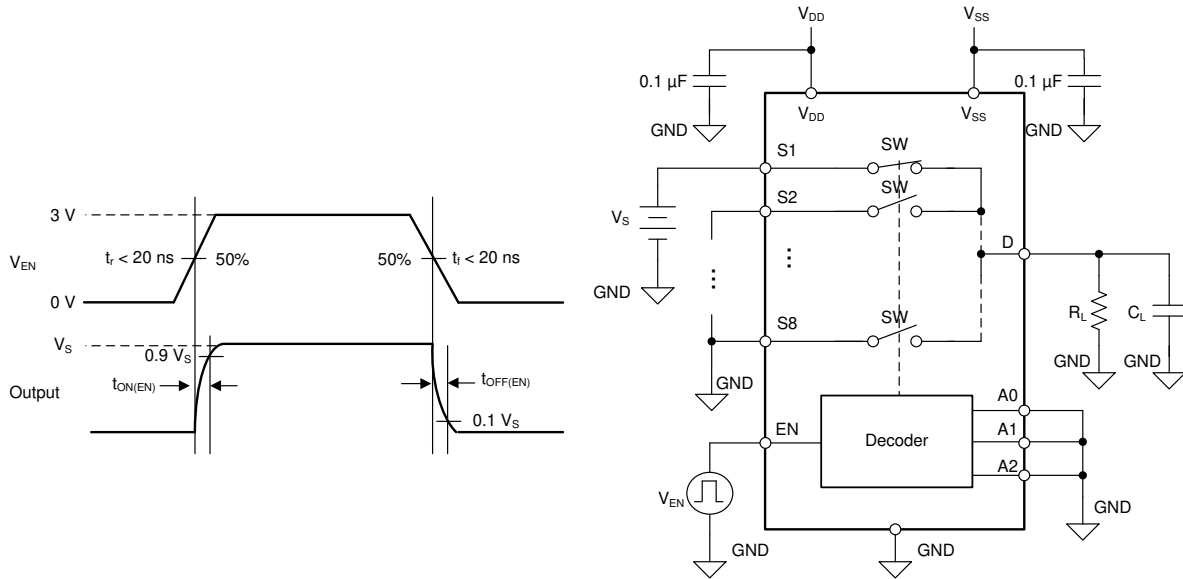
The break-before-make delay is a safety feature of the TMUX7308F and TMUX7309F. The ON switches first break the connection before the OFF switches make connection. The time delay between the *break* and the *make* is known as break-before-make delay. 8-6 shows the setup used to measure break-before-make delay, denoted by the symbol t_{BBM} .



8-6. Break-Before-Make Delay Measurement Setup


8.6 Enable Delay Time

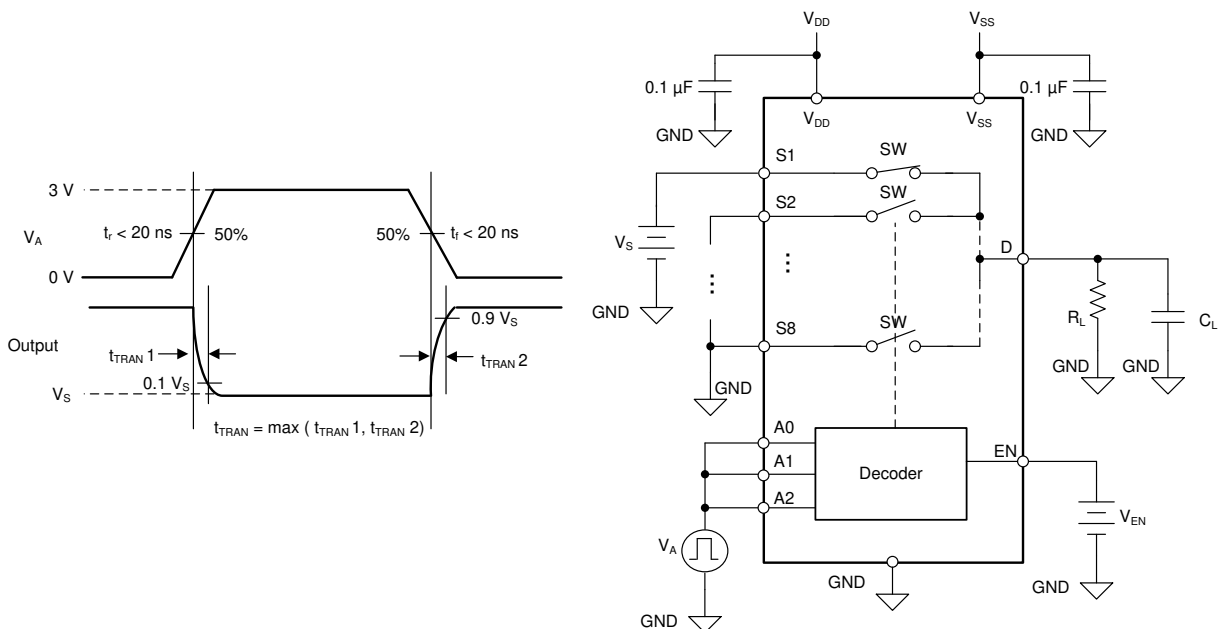
$t_{ON(EN)}$ time is defined as the time taken by the output of the TMUX7308F and TMUX7309F to rise to a 90% final value after the EN signal has risen to a 50% final value. $t_{OFF(EN)}$ is defined as the time taken by the output of the TMUX7308F and TMUX7309F to fall to a 10% initial value after the EN signal has fallen to a 50% initial value.  8-7 shows the setup used to measure the enable delay time.



 8-7. Enable Delay Measurement Setup

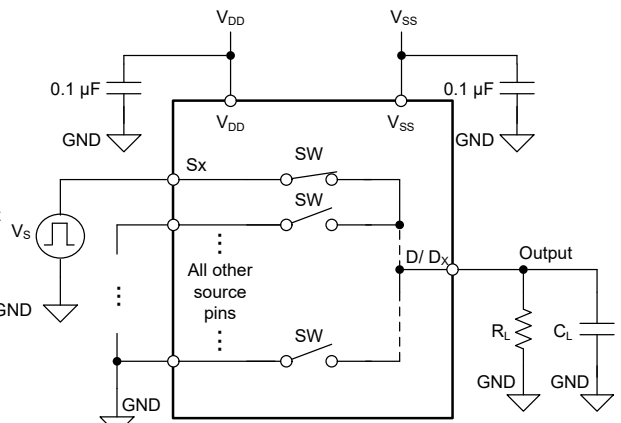
8.7 Transition Time

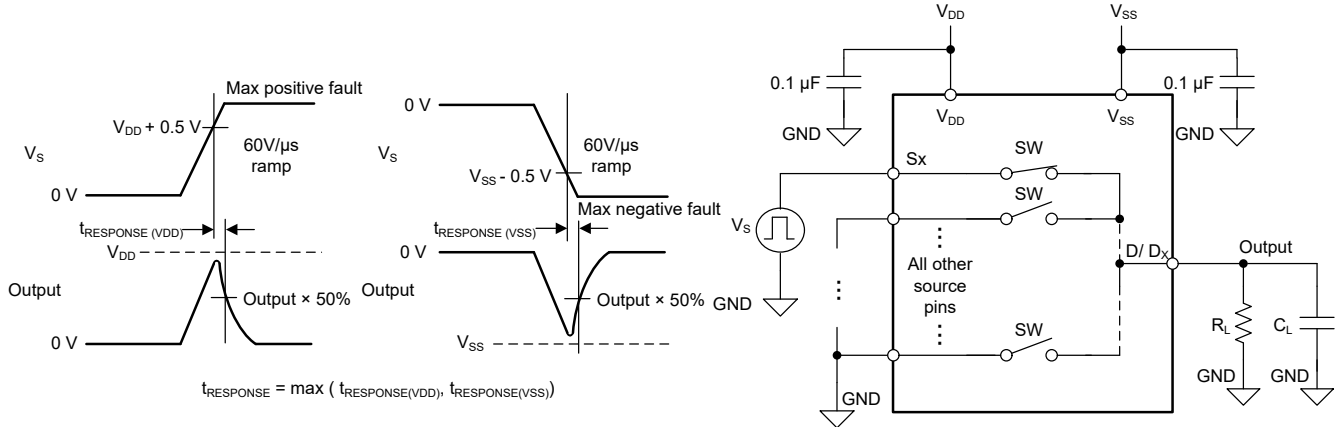
Transition time is defined as the time taken by the output of the device to rise (to 90% of the transition) or fall (to 10% of the transition) after the address signal (A_x) has fallen or risen to 50% of the transition.  8-8 shows the setup used to measure transition time, denoted by the symbol t_{TRAN} .



 8-8. Transition Time Measurement Setup

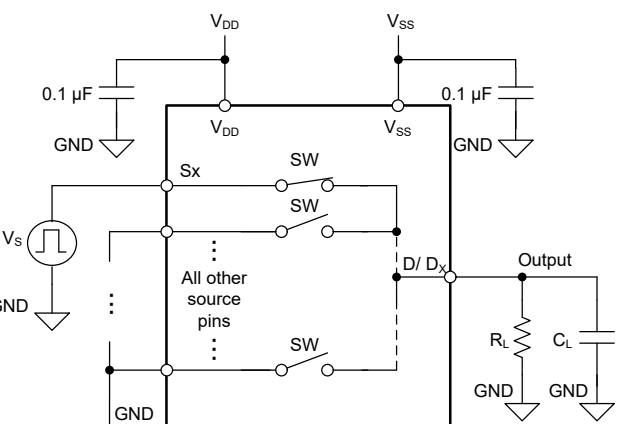
8.8 Fault Response Time

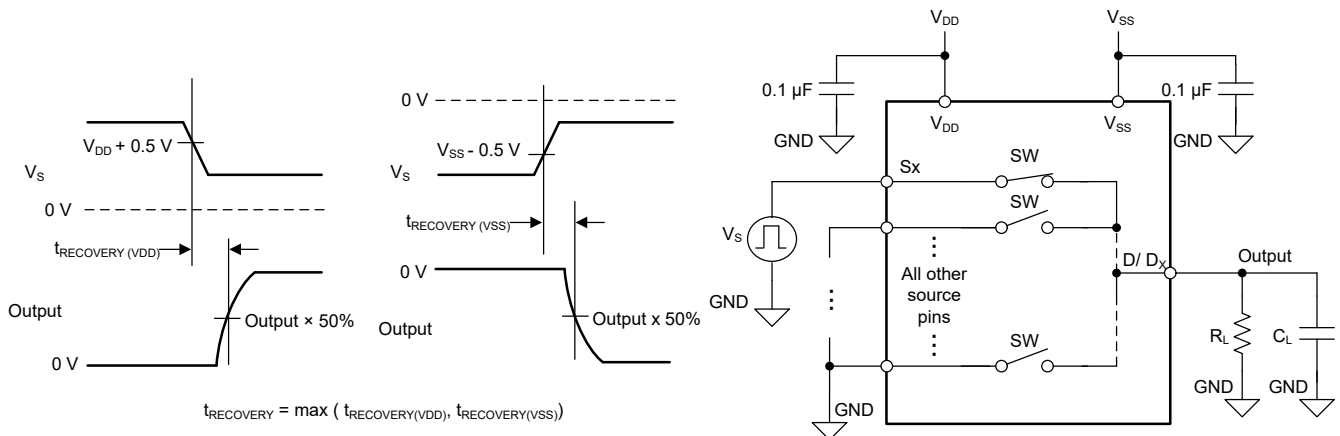
Fault response time (t_{RESPONSE}) measures the delay between the source voltage exceeding the supply voltage (V_{DD} or V_{SS}) by 0.5 V and the drain voltage failing to 50% of the maximum output voltage.  8-9 shows the setup used to measure t_{RESPONSE} .



 **8-9. Fault Response Time Measurement Setup**


8.9 Fault Recovery Time

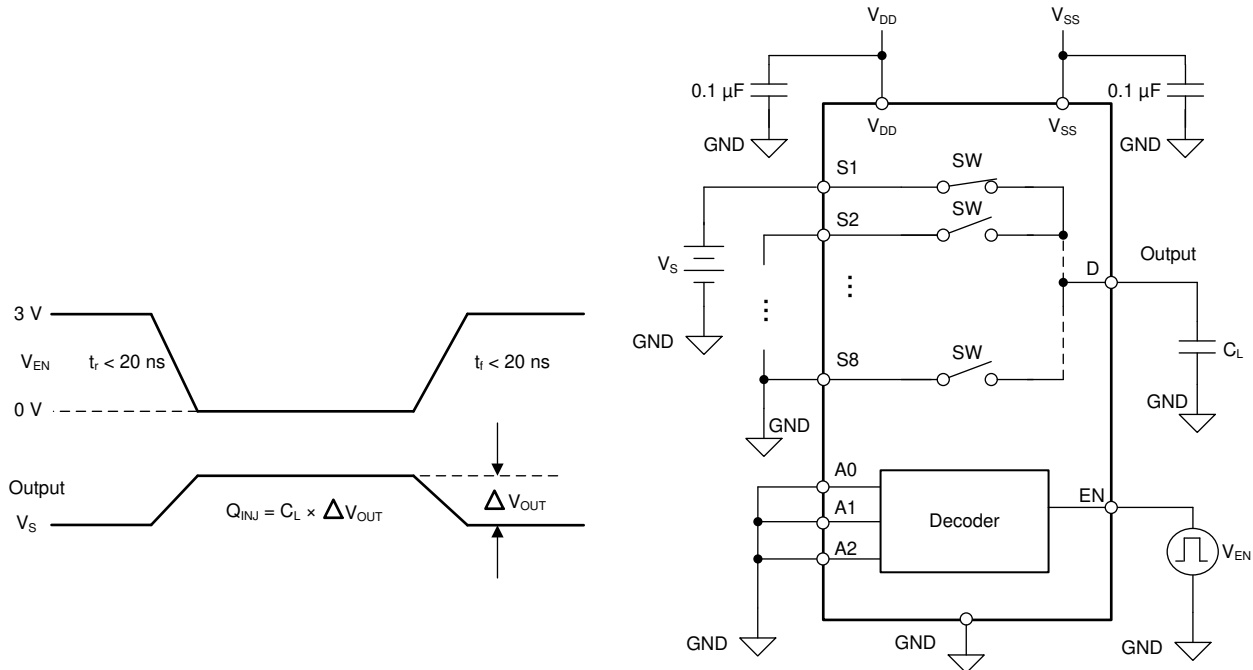
Fault recovery time (t_{RECOVERY}) measures the delay between the source voltage falling from overvoltage condition to below supply voltage (V_{DD} or V_{SS}) plus 0.5 V and the drain voltage rising from 0 V to 50% of the final output voltage.  8-10 shows the setup used to measure t_{RECOVERY} .



 **8-10. Fault Recovery Time Measurement Setup**


8.10 Charge Injection

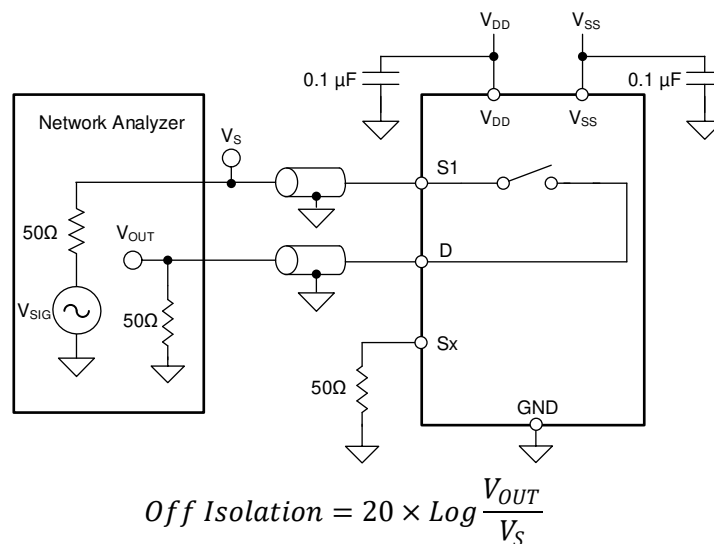
Charge injection is a measure of the glitch impulse transferred from the logic input to the signal path during logic pin switching, and is denoted by the symbol Q_{INJ} .  8-11 shows the setup used to measure charge injection from the source to drain.



 8-11. Charge-Injection Measurement Setup

8.11 Off Isolation

Off isolation is defined as the ratio of the signal at the drain pin (D) of the device when a signal is applied to the source pin (S_x) of an off-channel.  8-12 shows the setup used to measure, and the equation used to calculate off isolation.



 8-12. Off Isolation Measurement Setup

8.12 Crosstalk

The following are two types of crosstalk that can be defined for the devices:

1. Intra-channel crosstalk ($X_{TALK(INTRA)}$): the voltage at the source pin (S_x) of an off-switch input, when a 1- V_{RMS} signal is applied at the source pin of an on-switch input in the same channel, as shown in [Figure 8-13](#).
2. Inter-channel crosstalk ($X_{TALK(INTER)}$): the voltage at the source pin (S_x) of an on-switch input, when a 1- V_{RMS} signal is applied at the source pin of an on-switch input in a different channel, as shown in [Figure 8-14](#). Inter-channel crosstalk applies only to the TMUX7309F device.

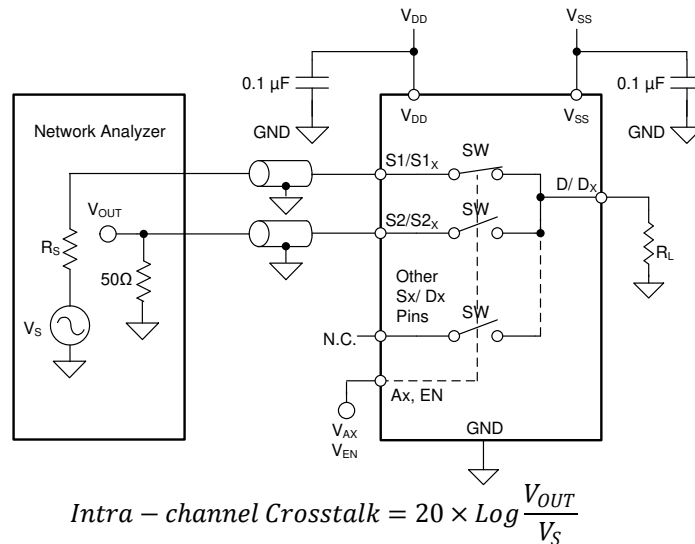


Figure 8-13. Intra-channel Crosstalk Measurement Setup

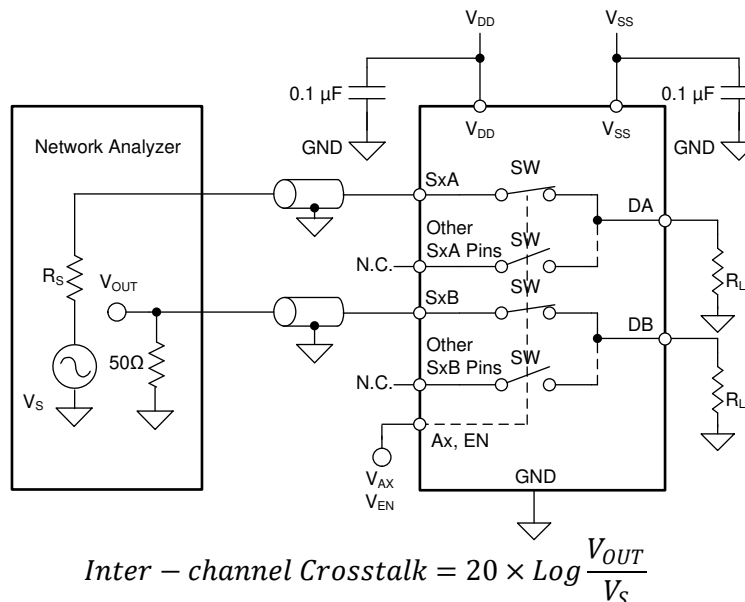


Figure 8-14. Inter-channel Crosstalk Measurement Setup

8.13 Bandwidth

Bandwidth (BW) is defined as the range of frequencies that are attenuated by < 3 dB when the input is applied to the source pin (Sx) of an on-channel, and the output is measured at the drain pin (D or Dx) of the TMUX730xF.

Figure 8-15 shows the setup used to measure bandwidth of the switch.

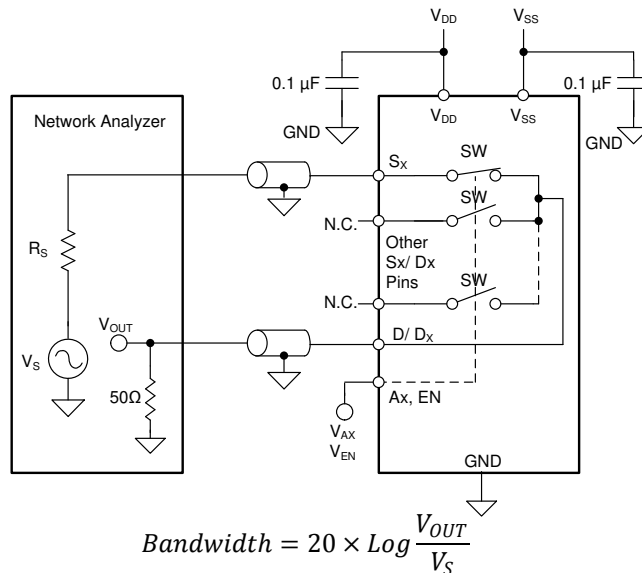


Figure 8-15. Bandwidth Measurement Setup

8.14 THD + Noise

The total harmonic distortion (THD) of a signal is a measurement of the harmonic distortion, and is defined as the ratio of the sum of the powers of all harmonic components to the power of the fundamental frequency at the multiplexer output. The on-resistance of the TMUX7308F and TMUX7309F varies with the amplitude of the input signal and results in distortion when the drain pin is connected to a low-impedance load. Total harmonic distortion plus noise is denoted as THD+N. Figure 8-16 shows the setup used to measure THD+N of the devices.

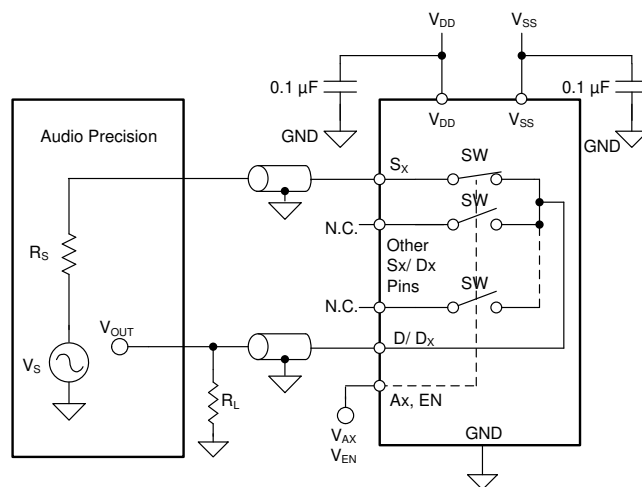


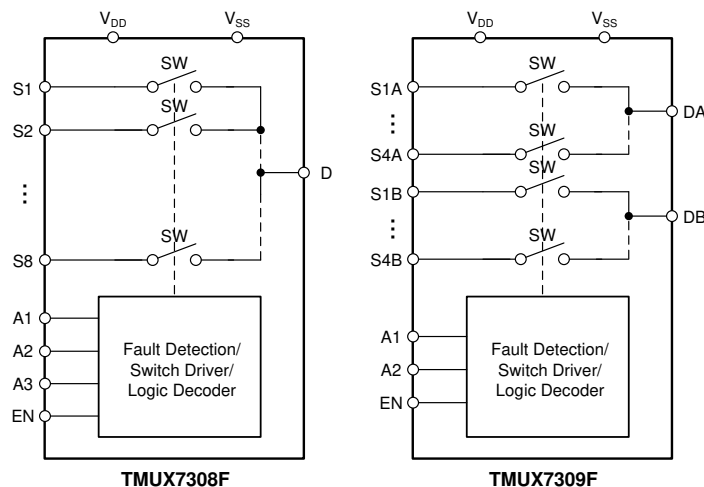
Figure 8-16. THD+N Measurement Setup

9 Detailed Description

9.1 Overview

The TMUX7308F and TMUX7309F are a modern complementary metal-oxide semiconductor (CMOS) analog multiplexers in 8:1 (single ended) and 4:1 (differential) configurations. The devices work well with dual supplies (± 5 V to ± 22 V), a single supply (8 V to 44 V), or asymmetric supplies (such as $V_{DD} = 15$ V, $V_{SS} = -5$ V). The devices have an overvoltage protection feature on the source pins under powered and powered-off conditions, allowing them to be used in harsh industrial environments.

9.2 Functional Block Diagram



9.3 Feature Description

9.3.1 Flat On – Resistance

The TMUX7308F and TMUX7309F are designed with a special switch architecture to produce ultra-flat on-resistance (R_{ON}) across most of the switch input operation region. The flat R_{ON} response allows the device to be used in precision sensor applications since the R_{ON} is controlled regardless of the signals sampled. The architecture is implemented without a charge pump so no unwanted noise is produced from the device to affect sampling accuracy.

9.3.2 Protection Features

The TMUX7308F and TMUX7309F offer a number of protection features to enable robust system implementations.

9.3.2.1 Input Voltage Tolerance

The maximum voltage that can be applied to any source input pin is +60 V or -60 V, regardless of supply voltage. This allows the device to handle typical voltage fault conditions in industrial applications. It shall be cautioned that the device is rated to handle maximum stress of 85 V across different pins, such as the following:

1. **Between the source pins and supply rails:**

For example, if the device is powered by V_{DD} supply of 20 V, then the maximum negative signal level on any source pin is -60 V to maintain the 60 V maximum rating on any source pin. If the device is powered by V_{DD} supply of 40 V, then the maximum negative signal level on any source pin is reduced to -45 V to maintain the 85 V maximum rating across the source pin and the supply.

2. **Between the source pins and one or more drain pins:**

For example, if channel S1(A) is ON and the voltage on S1(A) pin is 40 V. In this case, the drain voltage is also 40 V. The maximum negative voltage on any of the other source pins is -45 V to maintain the 85 V maximum rating across the source pin and the drain pin.

9.3.2.2 Powered-Off Protection

When the supplies of TMUX7308F and TMUX7309F are removed ($V_{DD} / V_{SS} = 0\text{ V}$ or floating), the source (S_x) pins of the device remain in the high impedance (Hi-Z) state, and the source (S_x) and drain (D_x) pins of the device remain within the leakage performance mentioned in the Electrical Specifications. Powered-off protection minimizes system complexity by removing the need to control power supply sequencing of the system. The feature prevents errant voltages on the input source pins from reaching the rest of the system and maintains isolation when the system is powering up. Without powered-off protection, signal on the input source pins can back-power the supply rails through internal ESD diodes and cause potential damage to the system. For more information on powered-off protection refer to [Eliminate Power Sequencing With Powered-Off Protection Signal Switches](#).

The switch remains OFF regardless of whether the V_{DD} and V_{SS} supplies are 0 V or floating. A GND reference must always be present for proper operation. Source and drain voltage levels of up to $\pm 60\text{ V}$ are blocked in the powered-off condition.

9.3.2.3 Fail-Safe Logic


Fail-safe logic circuitry allows voltages on the logic control pins to be applied before the supply pins, protecting the device from potential damage. The switch is specified to be in the OFF state, regardless of the state of the logic signals. The logic inputs are protected against positive faults of up to +44 V in the powered-off condition, but do not offer protection against the negative overvoltage condition.

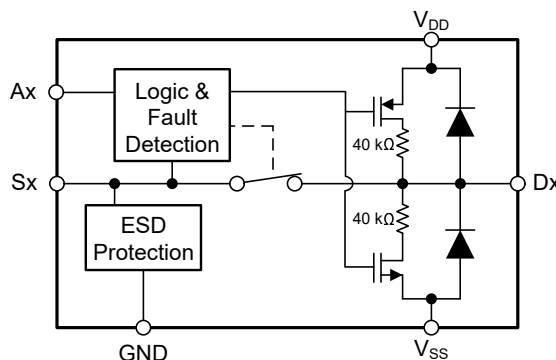
Fail-safe logic also allows the TMUX7308F and TMUX7309F devices to interface with a voltage greater than V_{DD} during normal operation to add maximum flexibility in system design. For example, with a V_{DD} of = 15 V, the logic control pins could be connected to +24 V for a logic high signal which allows different types of signals, such as analog feedback voltages, to be used when controlling the logic inputs. Regardless of the supply voltage, the logic inputs can be interfaced as high as 44 V.

9.3.2.4 Overvoltage Protection and Detection

The TMUX7308F and TMUX7309F detect overvoltage inputs by comparing the voltage on a source pin (S_x) with the supplies (V_{DD} and V_{SS}). A signal is considered overvoltage if it exceeds the supply voltages by the threshold voltage (V_T).

When an overvoltage is detected, the switch with the overvoltage automatically turns OFF, and stays OFF regardless of the logic controls. The source pin becomes high impedance and allows only a small leakage current to flow through the switch and the overvoltage does not appear on the drain. When the overvoltage channel is selected by the logic control, the drain pin (D or D_x) is pulled to the supply that was exceeded. For example, if the source voltage exceeds V_{DD} , the drain output is pulled to V_{DD} . If the source voltage exceeds V_{SS} , the drain output is pulled to V_{SS} . The pull-up impedance is approximately 40 k Ω , and as a result, the drain current is limited to roughly 1 mA during a shorted load (to GND) condition.

 **9-1** shows a detailed view of the how the pullup/down controls the output state of the drain pin under a fault scenario.



 **9-1. Detailed Functional Diagram**

9.3.2.5 Adjacent Channel Operation During Fault

When the logic pins are set to a channel under a fault, the overvoltage detection will trigger, the switch will open, and the drain pin will be pulled up/down as described in [セクション 9.3.2.4](#). During such an event, all other channels not under a fault can continue to operate as normal. For example, if S1 voltage exceeds V_{DD} , and the logic pins are set to S1, the drain output is pulled to V_{DD} . If then the logic pins are changed to set S4, which is not in overvoltage or undervoltage, the drain will disconnect from the pullup to V_{DD} and the S4 switch will be enabled and connected to the drain, operating as normal. If the logic pins are switched back to S1, the S4 switch will be disabled, the drain pin will be pulled up to V_{DD} again, and the switch from S1 to drain will not be enabled until the overvoltage fault is removed.

9.3.2.6 ESD Protection

All pins on the TMUX7308F and TMUX7309F support HBM ESD protection level up to ± 3.5 kV, which helps the device from getting ESD damages during manufacturing process.

The drain pins (D or Dx) have internal ESD protection diodes to the supplies V_{DD} and V_{SS} , therefore the voltage at the drain pins must not exceed the supply voltages to prevent excessive diode current. The source pins have specialized ESD protection that allows the signal voltage to reach ± 60 V regardless of supply voltage level. Exceeding ± 60 V on any source input may damage the ESD protection circuitry on the device and cause the device to malfunction if the damage is excessive.

9.3.2.7 Latch-Up Immunity

Latch-up is a condition where a low impedance path is created between a supply pin and ground. This condition is caused by a trigger (current injection or overvoltage), but once activated, the low impedance path remains even after the trigger is no longer present. This low impedance path may cause system upset or catastrophic damage due to excessive current levels. The latch-up condition typically requires a power cycle to eliminate the low impedance path.

The TMUX7308F and TMUX7309F devices are constructed on silicon on insulator (SOI) based process where an oxide layer is added between the PMOS and NMOS transistor of each CMOS switch to prevent parasitic structures from forming. The oxide layer is also known as an insulating trench and prevents triggering of latch up events due to overvoltage or current injections. The latch-up immunity feature allows the TMUX7308F and TMUX7309F to be used in harsh environments. For more information on latch-up immunity refer to [Using Latch Up Immune Multiplexers to Help Improve System Reliability](#).

9.3.2.8 EMC Protection

The TMUX7308F and TMUX7309F are not intended for standalone electromagnetic compatibility (EMC) protection in industrial applications. There are three common high voltage transient specifications that govern industrial high voltage transient specification: IEC61000-4-2 (ESD), IEC61000-4-4 (EFT), and IEC61000-4-5 (surge immunity). A transient voltage suppressor (TVS), along with some low-value series current limiting resistor, are required to prevent source input voltages from going above the rated ± 60 V limits.

When selecting a TVS protection device, it is critical to ensure that the maximum working voltage is greater than both the normal operating range of the input source pins to be protected and any known system common-mode overvoltage that may be present due to incorrect wiring, loss of power, or short circuit. [図 9-2](#) shows one example of the proper design window when selecting a TVS device.

Region 1 denotes the normal operation region of TMUX7308F and TMUX7309F where the input source voltages stay below the fault supplies V_{DD} and V_{SS} . Region 2 represents the range of possible persistent DC (or long duration AC overvoltage fault) presented on the source input pins. Region 3 represents the margin between any known DC overvoltage level and the absolute maximum rating of the TMUX7308F and TMUX7309F. The selected TVS breakdown voltage must be less than the absolute maximum rating of the TMUX730xF but greater than any known possible persistent DC or long duration AC overvoltage fault to avoid triggering the TVS inadvertently. Region 4 represents the margin that system designers must impose when selecting the TVS protection device to prevent accidental triggering of the ESD cells of the TMUX7308F and TMUX7309F devices.

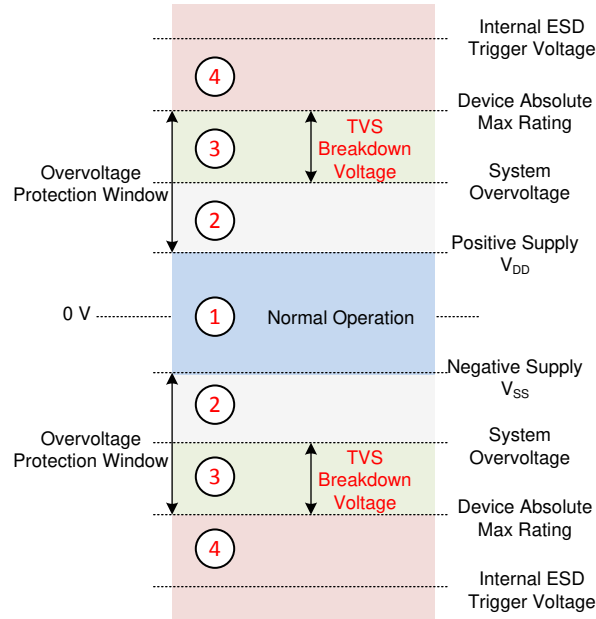


图 9-2. System Operation Regions and Proper Region of Selecting a TVS Protection Device

9.3.3 Bidirectional Operation

The TMUX7308F and TMUX7309F conducts equally well from source (Sx) to drain (D or Dx) or from drain (D or Dx) to source (Sx). Each signal path has very similar characteristics in both directions. However, take note that the overvoltage protection is implemented only on the source (Sx) side. The voltage on the drain is only allowed to swing between V_{DD} and V_{SS} and no overvoltage protection is available on the drain side.

The flattest on-resistance region extends from V_{SS} to roughly 3 V below V_{DD} . Once the signal is within 3 V of V_{DD} the on-resistance will exponentially increase and may impact desired signal transmission.

9.3.4 1.8 V Logic Compatible Inputs

The TMUX7308F and TMUX7309F devices have 1.8 V logic compatible control for all logic control inputs. 1.8 V logic level inputs allows the TMUX7308F and TMUX7309F to interface with processors that have lower logic I/O rails and eliminates the need for an external translator, which saves both space and BOM cost. For more information on 1.8 V logic implementations refer to [Simplifying Design with 1.8 V logic Muxes and Switches](#).

9.3.5 Integrated Pull-Down Resistor on Logic Pins

The TMUX7308F and TMUX7309F have internal weak pull-down resistors to GND so that the logic pins are not left floating. The value of this pull-down resistor is approximately 4 M Ω , but is clamped to about 1 μ A at higher voltages. This feature integrates up to four external components and reduces system size and cost.

9.4 Device Functional Modes

The TMUX7308F and TMUX7309F offers two modes of operation (Normal mode and Fault mode) depending on whether any of the input pins experience an overvoltage condition.

9.4.1 Normal Mode

In Normal mode operation, signals of up to V_{DD} and V_{SS} can be passed through the switch from source (Sx) to drain (D or Dx) or from drain (D or Dx) to source (Sx). The address (Ax) pins and the enable (EN) pin determines which switch path to turn on, according to 表 9-1 and 表 9-2. The following conditions must be satisfied for the switch to stay in the ON condition:

- The difference between the primary supplies ($V_{DD} - V_{SS}$) must be greater than or equal to 8 V. With a minimum V_{DD} of 5 V.
- The input signals on the source (Sx) or the drain (D or Dx) must be between $V_{DD} + V_T$ and $V_{SS} - V_T$.

- The logic control (Ax and EN) must have selected the switch.

9.4.2 Fault Mode

The TMUX7308F and TMUX7309F enter into the Fault mode when any of the input signals on the source (S_x) pins exceed V_{DD} or V_{SS} by a threshold voltage V_T. Under the overvoltage condition, the switch input experiencing the fault automatically turns OFF regardless of the logic status, and the source pin becomes high impedance with a negligible amount of leakage current flowing through the switch. When the fault channel is selected by the logic control, the drain pin (D or D_x) is pulled to the supply that was exceeded through a 40 kΩ internal resistor.

The overvoltage protection is provided only for the source (S_x) input pins. The drain (D or D_x) pin, if used as a signal input, must stay in between V_{DD} and V_{SS} at all times since no overvoltage protection is implemented on the drain pin.

9.4.3 Truth Tables

表 9-1 shows the truth tables for the TMUX7308F.

表 9-1. TMUX7308F Truth Table

EN	A2	A1	A0	Selected Source Connected to Drain Pin (D)
0	X ⁽¹⁾	X ⁽¹⁾	X ⁽¹⁾	All sources are off (HI-Z)
1	0	0	0	S1
1	0	0	1	S2
1	0	1	0	S3
1	0	1	1	S4
1	1	0	0	S5
1	1	0	1	S6
1	1	1	0	S7
1	1	1	1	S8

(1) "X" means "do not care."

表 9-2 shows the truth tables for the TMUX7309F.

表 9-2. TMUX7309F Truth Table

EN	A1	A0	Selected Source Connected to Drain Pins (DA, DB)
0	X ⁽¹⁾	X ⁽¹⁾	All sources are off (HI-Z)
1	0	0	S1A and S1B
1	0	1	S2A and S2B
1	1	0	S3A and S3B
1	1	1	S4A and S4B

(1) "X" means "do not care."

If unused, A_x pins must be tied to GND so that the device does not consume additional current as highlighted in [Implications of Slow or Floating CMOS Inputs](#). Unused signal path inputs (S_x or D_x) should be connected to GND.

10 Application and Implementation

注

以下のアプリケーション情報は、TI の製品仕様に含まれるものではなく、TI ではその正確性または完全性を保証いたしません。個々の目的に対する製品の適合性については、お客様の責任で判断していただくこととなります。お客様は自身の設計実装を検証しテストすることで、システムの機能を確認する必要があります。

10.1 Application Information

The TMUX7308F and TMUX7309F are part of the fault protected switches and multiplexers family of devices. The ability to protect downstream components from overvoltage events up to ± 60 V makes these switches and multiplexers suitable for harsh environments.

10.2 Typical Application

In analog input programmable logic controllers (PLC) a multiplexer is often used to switch multiple sensors to a single ADC. By using a multiplexer, the number of components in the system can be reduced to save system cost and size. In a PLC module a ± 10 V input signal range is common for interfacing with external field transmitters and sensors; however, there are a number of fault cases that may occur that can be damaging to many of the integrated circuits. Such fault conditions may include, but are not limited to, human error from wiring connections incorrectly, component failure or wire shorts, electromagnetic interference (EMI) or transient disturbances, and so forth.

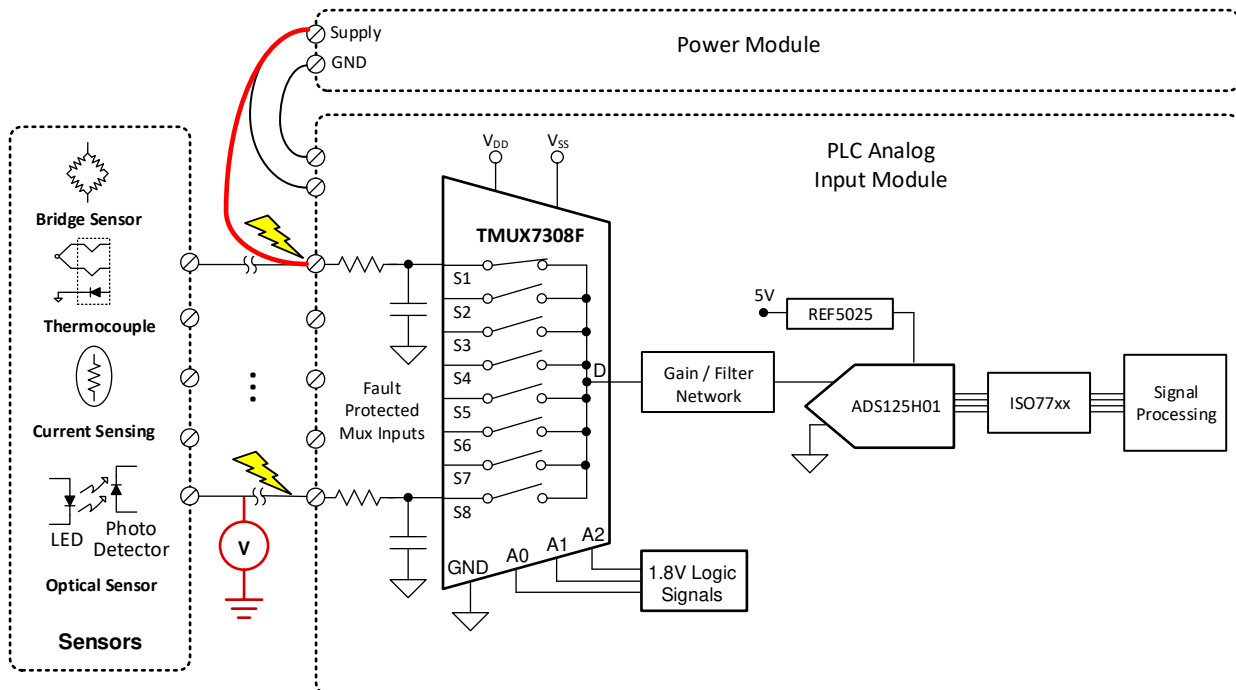


図 10-1. Typical Application

10.2.1 Design Requirements


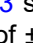
表 10-1. Design Parameters

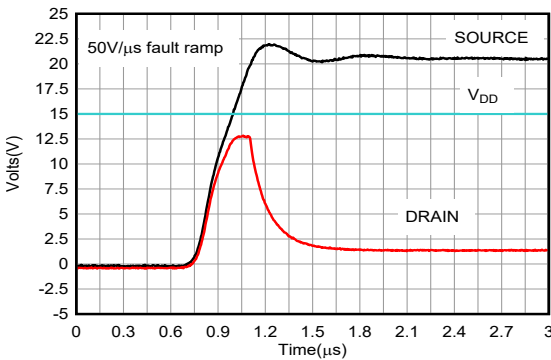
PARAMETER	VALUE
Positive supply (V_{DD}) mux and ADC	+15 V
Negative supply (V_{SS}) mux and ADC	-15 V
Power board supply voltage	24 V
Input / output signal range non-faulted	-15 V to 15 V
Overtoltage protection levels	-60 V to 60 V
Control logic thresholds	1.8 V compatible, up to 44 V
Temperature range	-40°C to +125°C

10.2.2 Detailed Design Procedure

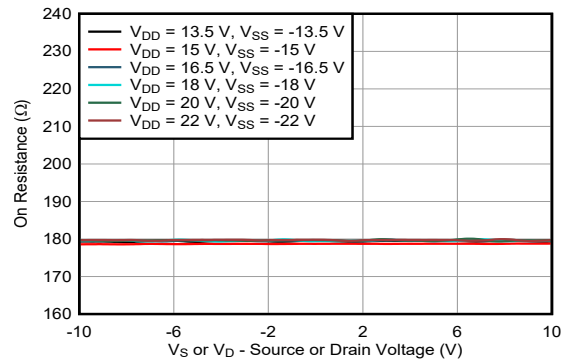
The image shows the case where an incorrect wiring condition occurred and one of the input connectors has been shorted to the power board supply voltage. If the board supply voltage is higher than the power supply of the multiplexer, then the TMUX7308F or TMUX7309F will disconnect the source input from passing the signal to protect the downstream ADC. The drain pin of the mux will be pulled up to the supply voltage V_{DD} through a 40 k Ω resistor to allow the ADC to determine a fault condition has occurred.

10.2.3 Application Curves

The example application utilizes the fault protection of the TMUX7308F or TMUX7309F to protect downstream components from potential miswiring conditions from the Power Module board.  10-2 shows an example of positive overvoltage fault response with a fast fault ramp rate of 50 V/ μ s.  10-3 shows the extremely flat on-resistance across source voltage while operating within a common signal range of ± 10 V. These features make the TMUX7308F or TMUX7309F an ideal solution for factory automation applications that may face various fault conditions but also require excellent linearity and low distortion.



 10-2. Positive Overvoltage Response



 10-3. R_{ON} Flatness in Non-Fault Region

10.3 Power Supply Recommendations

The TMUX7308F and TMUX7309F operate across a wide supply range of ± 5 V to ± 22 V (8 V to 44 V in single-supply mode). They also perform well with asymmetrical supplies such as $V_{DD} = 15$ V and $V_{SS} = -5$ V. For improved supply noise immunity, use a supply decoupling capacitor ranging from 1 μ F to 10 μ F at both the V_{DD} and V_{SS} pins to ground. Always ensure the ground (GND) connection is established before supplies are ramped.

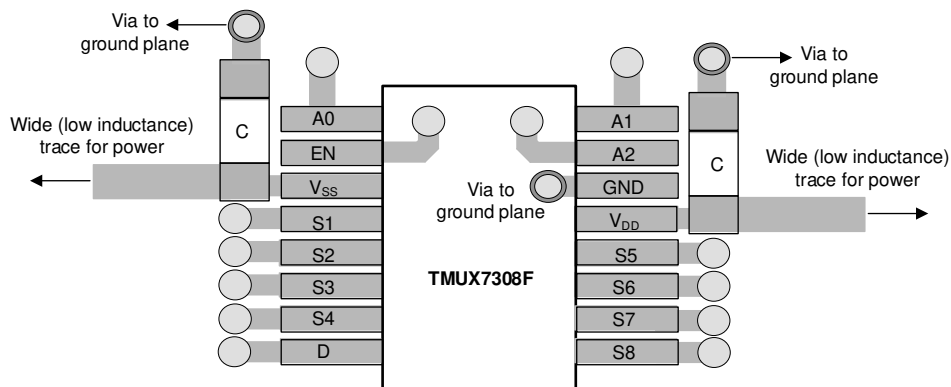
10.4 Layout

10.4.1 Layout Guidelines

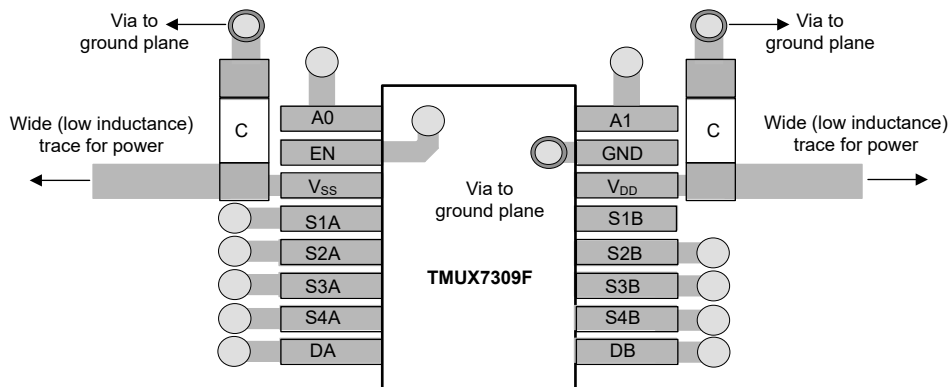
The image below illustrates an example of a PCB layout with the TMUX7308F and TMUX7309F. Some key considerations are:

- For reliable operation, connect a decoupling capacitor ranging from 0.1 μF to 10 μF between V_{DD} and V_{SS} to GND. We recommend a 0.1 μF and 1 μF capacitor, placing the lowest value capacitor as close to the pin as possible. Make sure that the capacitor voltage rating is sufficient for the supply voltage.
- Keep the input lines as short as possible.
- Use a solid ground plane to help distribute heat and reduce electromagnetic interference (EMI) noise pickup.
- Do not run sensitive analog traces in parallel with digital traces. Avoid crossing digital and analog traces if possible, and only make perpendicular crossings when necessary.

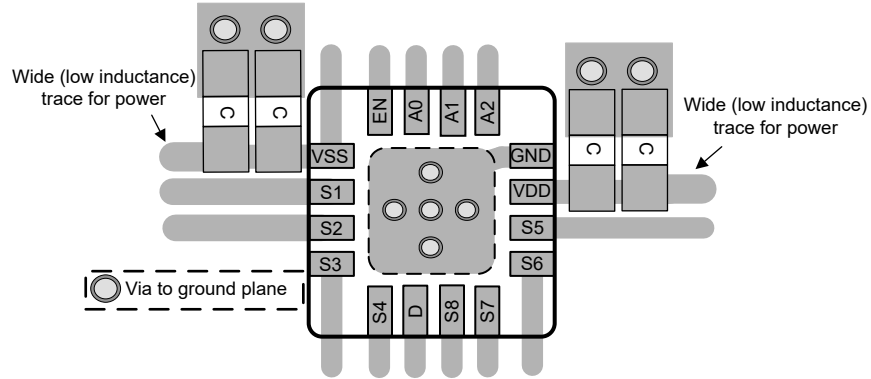
10.4.2 Layout Example



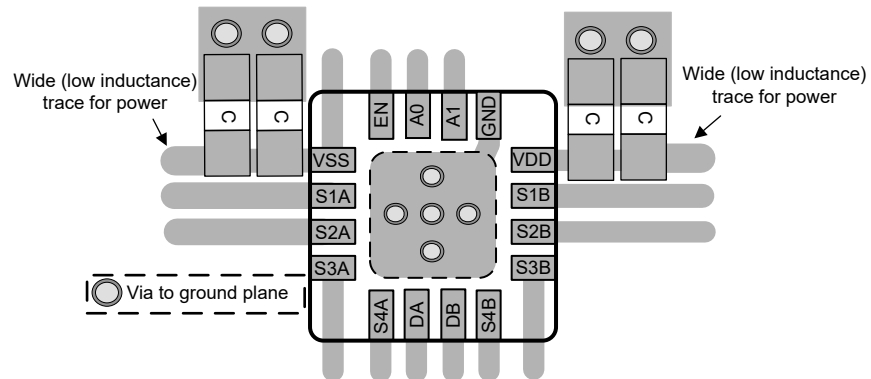
10-4. TMUX7308FPW Layout Example



10-5. TMUX7309FPW Layout Example



10-6. TMUX7308FQFN Layout Example



10-7. TMUX7309FQFN Layout Example

11 Device and Documentation Support

11.1 Documentation Support

11.1.1 Related Documentation

- Texas Instruments, [Implications of Slow or Floating CMOS Inputs application note](#)
- Texas Instruments, [Improving Analog Input Modules Reliability Using Fault Protected Multiplexers application report](#)
- Texas Instruments, [Multiplexers and Signal Switches Glossary application report](#)
- Texas Instruments, [Protection Against Overvoltage Events, Miswiring, and Common Mode Voltages application report](#)
- Texas Instruments, [Using Latch-Up Immune Multiplexers to Help Improve System Reliability application report](#)

11.2 ドキュメントの更新通知を受け取る方法

ドキュメントの更新についての通知を受け取るには、[ti.com](#) のデバイス製品フォルダを開いてください。「更新の通知を受け取る」をクリックして登録すると、変更されたすべての製品情報に関するダイジェストを毎週受け取れます。変更の詳細については、修正されたドキュメントに含まれている改訂履歴をご覧ください。

11.3 サポート・リソース

[TI E2E™ サポート・フォーラム](#)は、エンジニアが検証済みの回答と設計に関するヒントをエキスパートから迅速かつ直接得ることができる場所です。既存の回答を検索したり、独自の質問をしたりすることで、設計に必要な支援を迅速に得ることができます。

リンクされているコンテンツは、該当する貢献者により、現状のまま提供されるものです。これらは TI の仕様を構成するものではなく、必ずしも TI の見解を反映したものではありません。TI の[使用条件](#)を参照してください。

11.4 Trademarks

TI E2E™ is a trademark of Texas Instruments.

すべての商標は、それぞれの所有者に帰属します。

11.5 静電気放電に関する注意事項



この IC は、ESD によって破損する可能性があります。テキサス・インスツルメンツは、IC を取り扱う際には常に適切な注意を払うことを推奨します。正しい取り扱いおよび設置手順に従わない場合、デバイスを破損するおそれがあります。

ESD による破損は、わずかな性能低下からデバイスの完全な故障まで多岐にわたります。精密な IC の場合、パラメータがわずかに変化するだけで公表されている仕様から外れる可能性があるため、破損が発生しやすくなっています。

11.6 用語集

[テキサス・インスツルメンツ用語集](#) この用語集には、用語や略語の一覧および定義が記載されています。

12 Mechanical, Packaging, and Orderable Information

The following pages include mechanical, packaging, and orderable information. This information is the most current data available for the designated devices. This data is subject to change without notice and revision of this document. For browser-based versions of this data sheet, refer to the left-hand navigation.

PACKAGING INFORMATION

Orderable Device	Status (1)	Package Type	Package Drawing	Pins	Package Qty	Eco Plan (2)	Lead finish/ Ball material (6)	MSL Peak Temp (3)	Op Temp (°C)	Device Marking (4/5)	Samples
TMUX7308FPWR	ACTIVE	TSSOP	PW	16	2000	RoHS & Green	NIPDAU	Level-1-260C-UNLIM	-40 to 125	TM7308F	Samples
TMUX7308FRRPR	ACTIVE	WQFN	RRP	16	3000	RoHS & Green	NIPDAU	Level-1-260C-UNLIM	-40 to 125	TMUX 7308F	Samples
TMUX7309FPWR	ACTIVE	TSSOP	PW	16	2000	RoHS & Green	NIPDAU	Level-1-260C-UNLIM	-40 to 125	TM7309F	Samples
TMUX7309FRRPR	ACTIVE	WQFN	RRP	16	3000	RoHS & Green	NIPDAU	Level-1-260C-UNLIM	-40 to 125	TMUX 7309F	Samples

(1) The marketing status values are defined as follows:

ACTIVE: Product device recommended for new designs.

LIFEBUY: TI has announced that the device will be discontinued, and a lifetime-buy period is in effect.

NRND: Not recommended for new designs. Device is in production to support existing customers, but TI does not recommend using this part in a new design.

PREVIEW: Device has been announced but is not in production. Samples may or may not be available.

OBSELETE: TI has discontinued the production of the device.

(2) **RoHS:** TI defines "RoHS" to mean semiconductor products that are compliant with the current EU RoHS requirements for all 10 RoHS substances, including the requirement that RoHS substance do not exceed 0.1% by weight in homogeneous materials. Where designed to be soldered at high temperatures, "RoHS" products are suitable for use in specified lead-free processes. TI may reference these types of products as "Pb-Free".

RoHS Exempt: TI defines "RoHS Exempt" to mean products that contain lead but are compliant with EU RoHS pursuant to a specific EU RoHS exemption.

Green: TI defines "Green" to mean the content of Chlorine (Cl) and Bromine (Br) based flame retardants meet JS709B low halogen requirements of <=1000ppm threshold. Antimony trioxide based flame retardants must also meet the <=1000ppm threshold requirement.

(3) MSL, Peak Temp. - The Moisture Sensitivity Level rating according to the JEDEC industry standard classifications, and peak solder temperature.

(4) There may be additional marking, which relates to the logo, the lot trace code information, or the environmental category on the device.

(5) Multiple Device Markings will be inside parentheses. Only one Device Marking contained in parentheses and separated by a "~" will appear on a device. If a line is indented then it is a continuation of the previous line and the two combined represent the entire Device Marking for that device.

(6) Lead finish/Ball material - Orderable Devices may have multiple material finish options. Finish options are separated by a vertical ruled line. Lead finish/Ball material values may wrap to two lines if the finish value exceeds the maximum column width.

Important Information and Disclaimer:The information provided on this page represents TI's knowledge and belief as of the date that it is provided. TI bases its knowledge and belief on information provided by third parties, and makes no representation or warranty as to the accuracy of such information. Efforts are underway to better integrate information from third parties. TI has taken and

continues to take reasonable steps to provide representative and accurate information but may not have conducted destructive testing or chemical analysis on incoming materials and chemicals. TI and TI suppliers consider certain information to be proprietary, and thus CAS numbers and other limited information may not be available for release.

In no event shall TI's liability arising out of such information exceed the total purchase price of the TI part(s) at issue in this document sold by TI to Customer on an annual basis.

TAPE AND REEL INFORMATION

QUADRANT ASSIGNMENTS FOR PIN 1 ORIENTATION IN TAPE


*All dimensions are nominal

Device	Package Type	Package Drawing	Pins	SPQ	Reel Diameter (mm)	Reel Width W1 (mm)	A0 (mm)	B0 (mm)	K0 (mm)	P1 (mm)	W (mm)	Pin1 Quadrant
TMUX7308FPWR	TSSOP	PW	16	2000	330.0	12.4	6.9	5.6	1.6	8.0	12.0	Q1
TMUX7308FRRPR	WQFN	RRP	16	3000	330.0	12.4	4.25	4.25	1.15	8.0	12.0	Q2
TMUX7309FPWR	TSSOP	PW	16	2000	330.0	12.4	6.9	5.6	1.6	8.0	12.0	Q1
TMUX7309FRRPR	WQFN	RRP	16	3000	330.0	12.4	4.25	4.25	1.15	8.0	12.0	Q2

TAPE AND REEL BOX DIMENSIONS


*All dimensions are nominal

Device	Package Type	Package Drawing	Pins	SPQ	Length (mm)	Width (mm)	Height (mm)
TMUX7308FPWR	TSSOP	PW	16	2000	356.0	356.0	35.0
TMUX7308FRRPR	WQFN	RRP	16	3000	367.0	367.0	35.0
TMUX7309FPWR	TSSOP	PW	16	2000	356.0	356.0	35.0
TMUX7309FRRPR	WQFN	RRP	16	3000	367.0	367.0	35.0



4220204/A 02/2017

NOTES:

1. All linear dimensions are in millimeters. Any dimensions in parenthesis are for reference only. Dimensioning and tolerancing per ASME Y14.5M.
2. This drawing is subject to change without notice.
3. This dimension does not include mold flash, protrusions, or gate burrs. Mold flash, protrusions, or gate burrs shall not exceed 0.15 mm per side.
4. This dimension does not include interlead flash. Interlead flash shall not exceed 0.25 mm per side.
5. Reference JEDEC registration MO-153.

EXAMPLE BOARD LAYOUT

PW0016A

TSSOP - 1.2 mm max height

SMALL OUTLINE PACKAGE



LAND PATTERN EXAMPLE
EXPOSED METAL SHOWN
SCALE: 10X



4220204/A 02/2017

NOTES: (continued)

- 6. Publication IPC-7351 may have alternate designs.
- 7. Solder mask tolerances between and around signal pads can vary based on board fabrication site.

EXAMPLE STENCIL DESIGN

PW0016A

TSSOP - 1.2 mm max height

SMALL OUTLINE PACKAGE

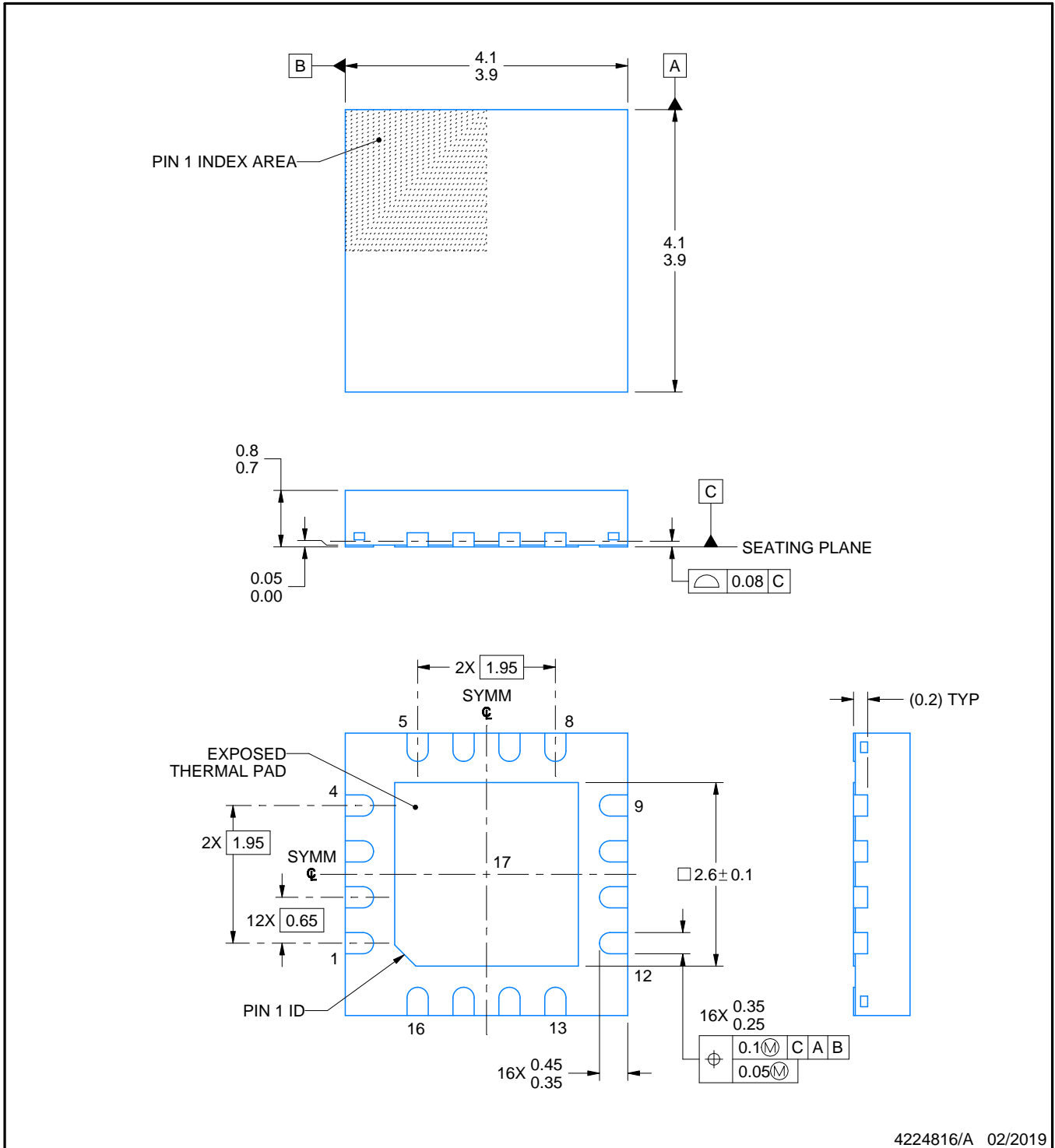
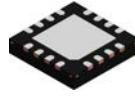


SOLDER PASTE EXAMPLE
BASED ON 0.125 mm THICK STENCIL
SCALE: 10X

4220204/A 02/2017

NOTES: (continued)

8. Laser cutting apertures with trapezoidal walls and rounded corners may offer better paste release. IPC-7525 may have alternate design recommendations.
9. Board assembly site may have different recommendations for stencil design.



4224816/A 02/2019

NOTES:

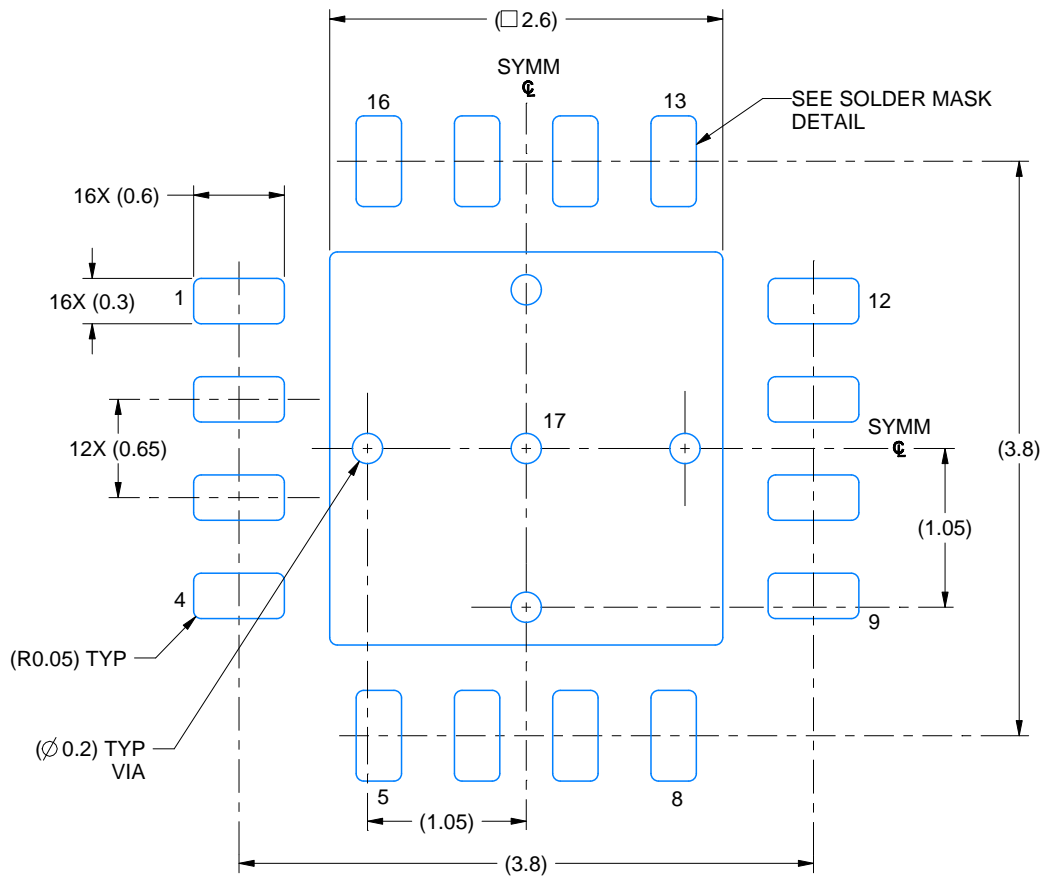
1. All linear dimensions are in millimeters. Any dimensions in parenthesis are for reference only. Dimensioning and tolerancing per ASME Y14.5M.
2. This drawing is subject to change without notice.
3. The package thermal pad must be soldered to the printed circuit board for thermal and mechanical performance.

EXAMPLE BOARD LAYOUT

RRP0016A

WQFN - 0.8 mm max height

PLASTIC QUAD FLATPACK - NO LEAD



LAND PATTERN EXAMPLE
EXPOSED METAL SHOWN
SCALE: 20X



SOLDER MASK DETAILS

4224816/A 02/2019

NOTES: (continued)

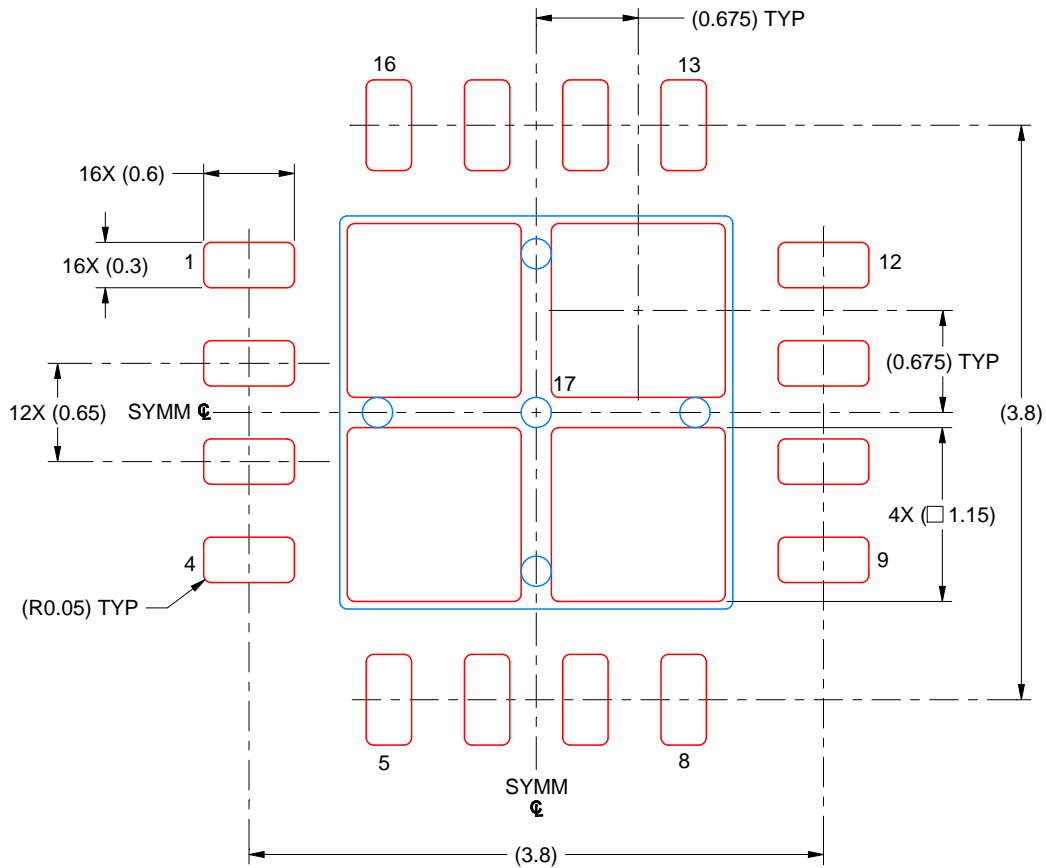
4. This package is designed to be soldered to a thermal pad on the board. For more information, see Texas Instruments literature number SLUA271 (www.ti.com/lit/slua271).
5. Vias are optional depending on application, refer to device data sheet. If any vias are implemented, refer to their locations shown on this view. It is recommended that vias under paste be filled, plugged or tented.

EXAMPLE STENCIL DESIGN

RRP0016A

WQFN - 0.8 mm max height

PLASTIC QUAD FLATPACK - NO LEAD



SOLDER PASTE EXAMPLE
BASED ON 0.125 MM THICK STENCIL
SCALE: 20X

EXPOSED PAD 17
78% PRINTED SOLDER COVERAGE BY AREA UNDER PACKAGE

4224816/A 02/2019

NOTES: (continued)

6. Laser cutting apertures with trapezoidal walls and rounded corners may offer better paste release. IPC-7525 may have alternate design recommendations.

重要なお知らせと免責事項

TI は、技術データと信頼性データ (データシートを含みます)、設計リソース (リファレンス・デザインを含みます)、アプリケーションや設計に関する各種アドバイス、Web ツール、安全性情報、その他のリソースを、欠陥が存在する可能性のある「現状のまま」提供しており、商品性および特定目的に対する適合性の黙示保証、第三者の知的財産権の非侵害保証を含むいかなる保証も、明示的または黙示的にかかわらず拒否します。

これらのリソースは、TI 製品を使用する設計の経験を積んだ開発者への提供を意図したものです。(1) お客様のアプリケーションに適した TI 製品の選定、(2) お客様のアプリケーションの設計、検証、試験、(3) お客様のアプリケーションに該当する各種規格や、その他のあらゆる安全性、セキュリティ、規制、または他の要件への確実な適合に関する責任を、お客様のみが単独で負うものとし、

上記の各種リソースは、予告なく変更される可能性があります。これらのリソースは、リソースで説明されている TI 製品を使用するアプリケーションの開発の目的でのみ、TI はその使用をお客様に許諾します。これらのリソースに関して、他の目的で複製することや掲載することは禁止されています。TI や第三者の知的財産権のライセンスが付与されている訳ではありません。お客様は、これらのリソースを自身で使用した結果発生するあらゆる申し立て、損害、費用、損失、責任について、TI およびその代理人を完全に補償するものとし、TI は一切の責任を拒否します。

TI の製品は、[TI の販売条件](#)、または [ti.com](https://www.ti.com) やかかる TI 製品の関連資料などのいずれかを通じて提供する適用可能な条項の下で提供されています。TI がこれらのリソースを提供することは、適用される TI の保証または他の保証の放棄の拡大や変更を意味するものではありません。

お客様がいかなる追加条項または代替条項を提案した場合でも、TI はそれらに異議を唱え、拒否します。

郵送先住所 : Texas Instruments, Post Office Box 655303, Dallas, Texas 75265
Copyright © 2023, Texas Instruments Incorporated