

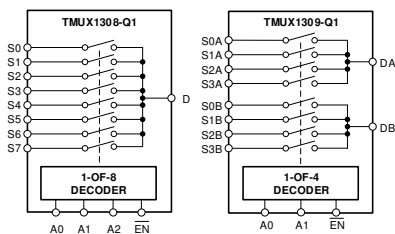
TMUX13xx-Q1 車載用 5V、双方向 8 : 1、1 チャネルおよび 4 : 1、2 チャネル・マルチプレクサ、インジェクション電流制御機能付き

1 特長

- 車載アプリケーション用に AEC-Q100 認定済み
 - デバイス温度グレード 1: -40°C ~ 125°C の動作時 周囲温度範囲
- インジェクション電流制御
- 逆電力供給保護
 - V_{DD} への ESD ダイオード・パスがない
- 広い電源電圧範囲: 1.62V ~ 5.5V
- 低い静電容量
- 双方向の信号パス
- レール・ツー・レール動作
- 1.8V ロジック互換
- フェイルセーフ・ロジック
- ブレイク・ビフォー・メイクのスイッチング動作
- バッテリー短絡保護
- 機能安全対応
 - 機能安全システムの設計に役立つ資料を利用可能
- TMUX1308-Q1 - 以下のデバイスとピン互換:
 - 業界標準の 4051 および 4851 マルチプレクサ
- TMUX1309-Q1 - 以下のデバイスとピン互換:
 - 業界標準の 4052 および 4852 マルチプレクサ

2 アプリケーション

- アナログおよびデジタルの多重化 / 多重分離
- 診断および監視
- ゾーン・アーキテクチャ
- 車体制御モジュール
- バッテリー管理システム (BMS)
- HVAC (エアコン) 制御モジュール
- 車載用ヘッド・ユニット
- テレマティクス
- オンボード・チャージャ (OBC) とワイヤレス充電



TMUX1308-Q1 と TMUX1309-Q1 のブロック図

3 概要

TMUX1308-Q1 および TMUX1309-Q1 は、汎用の CMOS (相補型金属酸化膜半導体) マルチプレクサ (MUX) です。TMUX1308-Q1 は 8 : 1、1 チャネル (シングルエンド) MUX、TMUX1309-Q1 は 4 : 1、2 チャネル (差動) MUX です。このデバイスは、ソース (Sx) およびドレイン (Dx) ピンで、GND から V_{DD} までの範囲の双方向アナログおよびデジタル信号をサポートします。

TMUX13xx-Q1 デバイスは、内部インジェクション電流制御機能を備えています。この機能のおかげで、スイッチを保護し入力信号を電源電圧内に維持するために通常使用される外付けのダイオードおよび抵抗ネットワークは不要です。内部インジェクション電流制御回路により、ディセーブルされた信号パスの信号が電源電圧を上回っても、イネーブルされた信号パスの信号に影響を与えません。また、TMUX13xx-Q1 デバイスには電源ピンへの内部ダイオード・パスがないため、電源ピンに接続された部品が損傷し、または電源レールに意図しない電力が供給される危険性がありません。

すべてのロジック入力のスレッショルドは 1.8V ロジック互換で、有効な電源電圧で動作していれば、TTL と CMOS の両方のロジックと互換性が保証されます。フェイルセーフ・ロジック回路により、電源ピンよりも先に制御ピンに電圧が印加されるため、デバイスへの損傷の可能性が避けられます。

製品情報

部品番号	構成 ⁽¹⁾	パッケージ ⁽²⁾	本体サイズ (公称) ⁽³⁾
TMUX1308-Q1 TMUX1309-Q1	チャンネル 8 : 1 チャンネル 4 : 1	PW (TSSOP, 16)	5mm × 4.4mm
		DYY (SOT-23-THIN, 16)	4.2mm × 2mm
		BQB (WQFN, 16)	3.5mm × 2.5mm

- 製品比較表を参照してください。
- 利用可能なすべてのパッケージについては、データシートの末尾にあるパッケージ・オプションについての付録を参照してください。
- 本体サイズ (長さ × 幅) は公称値であり、ピンは含まれていません。



Table of Contents

1 特長.....	1	8.8 Off Isolation.....	20
2 アプリケーション.....	1	8.9 Crosstalk.....	21
3 概要.....	1	8.10 Bandwidth.....	21
4 Revision History.....	2	8.11 Injection Current Control.....	22
5 Device Comparison Table.....	4	9 Detailed Description.....	23
6 Pin Configuration and Functions.....	4	9.1 Overview.....	23
7 Specifications.....	8	9.2 Functional Block Diagram.....	23
7.1 Absolute Maximum Ratings.....	8	9.3 Feature Description.....	23
7.2 ESD Ratings.....	8	9.4 Device Functional Modes.....	27
7.3 Recommended Operating Conditions.....	8	9.5 Truth Tables.....	27
7.4 Thermal Information: TMUX1308-Q1.....	9	10 Application and Implementation.....	29
7.5 Thermal Information: TMUX1309-Q1.....	9	10.1 Application Information.....	29
7.6 Electrical Characteristics.....	10	10.2 Typical Application.....	29
7.7 Logic and Dynamic Characteristics.....	11	10.3 Power Supply Recommendations.....	33
7.8 Timing Characteristics.....	12	10.4 Layout.....	34
7.9 Injection Current Coupling.....	13	11 Device and Documentation Support.....	36
7.10 Typical Characteristics.....	14	11.1 Documentation Support.....	36
8 Parameter Measurement Information.....	17	11.2 Receiving Notification of Documentation Updates..	36
8.1 On-Resistance.....	17	11.3 サポート・リソース.....	36
8.2 Off-Leakage Current.....	17	11.4 Trademarks.....	36
8.3 On-Leakage Current.....	18	11.5 静電気放電に関する注意事項.....	36
8.4 Transition Time.....	18	11.6 用語集.....	36
8.5 Break-Before-Make.....	19	12 Mechanical, Packaging, and Orderable Information.....	36
8.6 $t_{ON(EN)}$ and $t_{OFF(EN)}$	19		
8.7 Charge Injection.....	20		

4 Revision History

資料番号末尾の英字は改訂を表しています。その改訂履歴は英語版に準じています。

Changes from Revision E (September 2022) to Revision F (July 2023)	Page
• 「特長」セクションにバッテリー短絡保護を追加.....	1
• 「アプリケーション」セクションにゾーン・アーキテクチャを追加.....	1
• チャンネル・カウントを含めるよう「製品情報」表を更新.....	1
• Added the <i>Short To Battery Protection</i> section.....	31
Changes from Revision D (November 2020) to Revision E (September 2022)	Page
• Updated the <i>Injection Current Control</i> section.....	24
Changes from Revision C (August 2020) to Revision D (November 2020)	Page
• TMUX1309 デバイスのステータスをプレビューから量産に変更.....	1
• Changed ΔR_{ON} test condition to $V_{DD} / 2$	10
• Changed max ΔR_{ON} spec limit for 1.8 V and 2.5 V supply.....	10
Changes from Revision B (July 2020) to Revision C (August 2020)	Page
• ドキュメント全体にわたって表、図、相互参照の採番方法を更新.....	1
• Added the Typical Characteristics.....	14
Changes from Revision A (June 2020) to Revision B (July 2020)	Page
• Added thermal information for TMUX1309-Q1.....	9

Changes from Revision * (December 2019) to Revision A (June 2020)

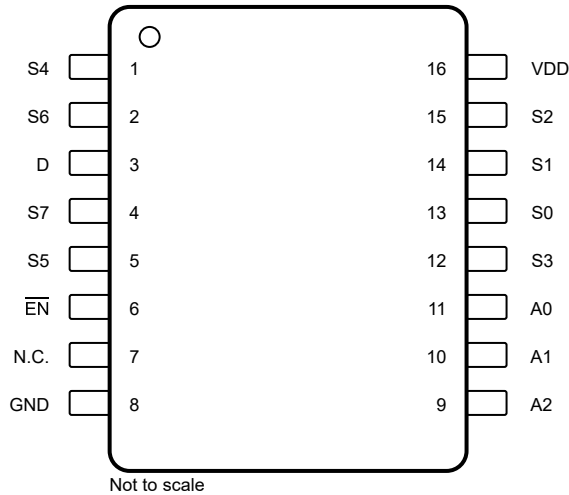
Page

- ステータスを次のように変更:「事前情報」から「量産データ」へ **1**
-

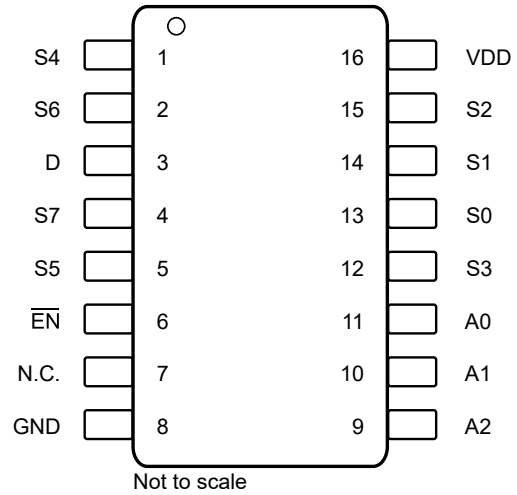
5 Device Comparison Table

PRODUCT	DESCRIPTION
TMUX1308-Q1	8:1, 1-channel, single-ended multiplexer
TMUX1309-Q1	4:1, 2-channel, differential multiplexer

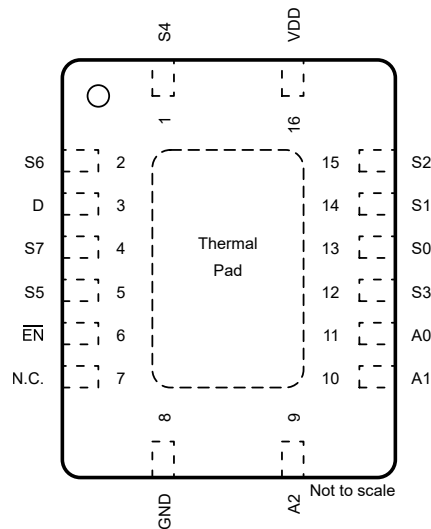
6 Pin Configuration and Functions



6-1. TMUX1308-Q1: PW Package, 16-Pin TSSOP (Top View)



6-2. TMUX1308-Q1: DYY Package, 16-Pin SOT-23-THIN (Top View)

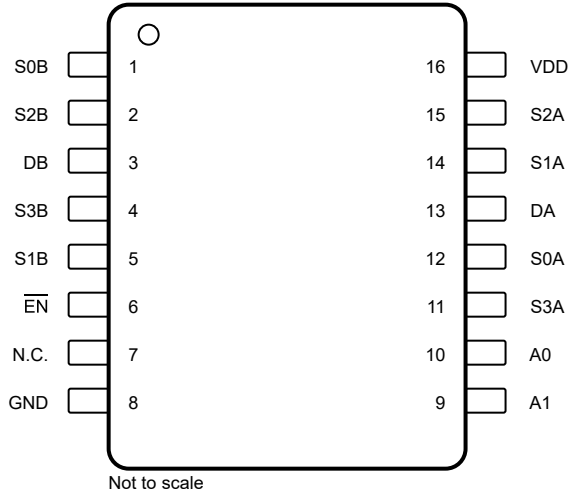


6-3. TMUX1308-Q1: BQB Package, 16-Pin WQFN (Top View)

表 6-1. Pin Functions TMUX1308-Q1

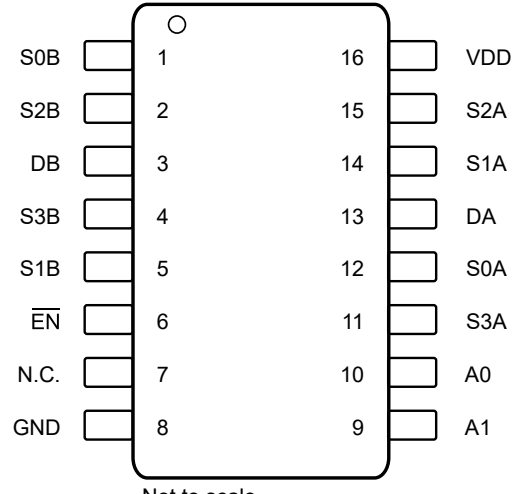
PIN		TYPE ⁽¹⁾	DESCRIPTION ⁽²⁾
NAME	NO.		
S4	1	I/O	Source pin 4. Signal path can be an input or output.
S6	2	I/O	Source pin 6. Signal path can be an input or output.
D	3	I/O	Drain pin (common). Signal path can be an input or output.
S7	4	I/O	Source pin 7. Signal path can be an input or output.
S5	5	I/O	Source pin 5. Signal path can be an input or output.
EN	6	I	Active low logic input. When this pin is high, all switches are turned off. When this pin is low, the A[2:0] address inputs determine which switch is turned on as listed in 表 9-1 .
N.C.	7	Not Connected	Not internally connected.
GND	8	P	Ground (0 V) reference
A2	9	I	Address line 2. Controls the switch configuration as listed in 表 9-1 .
A1	10	I	Address line 1. Controls the switch configuration as listed in 表 9-1 .
A0	11	I	Address line 0. Controls the switch configuration as listed in 表 9-1 .
S3	12	I/O	Source pin 3. Signal path can be an input or output.
S0	13	I/O	Source pin 0. Signal path can be an input or output.
S1	14	I/O	Source pin 1. Signal path can be an input or output.
S2	15	I/O	Source pin 2. Signal path can be an input or output.
VDD	16	P	Positive power supply. This pin is the most positive power-supply potential. For reliable operation, connect a decoupling capacitor ranging from 0.1 μ F to 10 μ F between V_{DD} and GND.
Thermal pad		—	Exposed thermal pad with conductive die attached. No requirement to solder this pad. If connected, then it should be left floating or tied to GND.

- (1) I = input, O = output, I/O = input and output, P = power.
 (2) For what to do with unused pins, refer to [セクション 9.4](#).



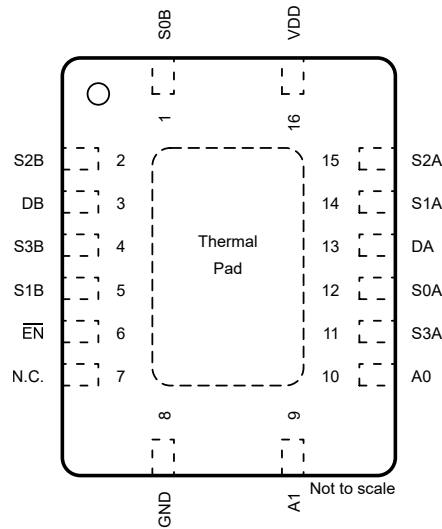
Not to scale

6-4. TMUX1309-Q1: PW Package, 16-Pin TSSOP (Top View)



Not to scale

6-5. TMUX1309-Q1: DYY Package, 16-Pin SOT-23-THIN (Top View)



Not to scale

6-6. TMUX1309-Q1: BQB Package, 16-Pin WQFN (Top View)

表 6-2. Pin Functions TMUX1309-Q1

PIN		TYPE ⁽¹⁾	DESCRIPTION ⁽²⁾
NAME	NO.		
S0B	1	I/O	Source pin 0 of mux B. Can be an input or output.
S2B	2	I/O	Source pin 2 of mux B. Can be an input or output.
DB	3	I/O	Drain pin (Common) of mux B. Can be an input or output.
S3B	4	I/O	Source pin 3 of mux B. Can be an input or output.
S1B	5	I/O	Source pin 1 of mux B. Can be an input or output.
EN	6	I	Active low logic input. When this pin is high, all switches are turned off. When this pin is low, the A[1:0] address inputs determine which switch is turned on.
N.C.	7	Not Connected	Not internally connected.
GND	8	P	Ground (0 V) reference
A1	9	I	Address line 1. Controls the switch configuration as listed in 表 9-2 .
A0	10	I	Address line 0. Controls the switch configuration as listed in 表 9-2 .
S3A	11	I/O	Source pin 3 of mux A. Can be an input or output.
S0A	12	I/O	Source pin 0 of mux A. Can be an input or output.
DA	13	I/O	Drain pin (Common) of mux A. Can be an input or output.
S1A	14	I/O	Source pin 1 of mux A. Can be an input or output.
S2A	15	I/O	Source pin 2 of mux A. Can be an input or output.
VDD	16	P	Positive power supply. This pin is the most positive power-supply potential. For reliable operation, connect a decoupling capacitor ranging from 0.1 μ F to 10 μ F between V _{DD} and GND.
Thermal pad		—	Exposed thermal pad with conductive die attached. No requirement to solder this pad. If connected, then it should be left floating or tied to GND.

- (1) I = input, O = output, I/O = input and output, P = power.
 (2) For what to do with unused pins, refer to [セクション 9.4](#).

7 Specifications

7.1 Absolute Maximum Ratings

over operating free-air temperature range (unless otherwise noted)^{(1) (2) (3)}

		MIN	MAX	UNIT
V _{DD}	Supply voltage	-0.5	6	V
V _{SEL} or V _{EN}	Logic control input pin voltage (EN, A0, A1, A2)	-0.5	6	
V _S or V _D	Source or drain voltage (Sx, D)	-0.5	V _{DD} +1.0	mA
I _{SEL} or I _{EN}	Logic control input pin current (EN, A0, A1, A2)	-30	30	
I _S or I _{D (CONT)}	Continuous current through switch (Sx, D pins) -40°C to +85°C	-50	50	
I _S or I _{D (CONT)}	Continuous current through switch (Sx, D pins) -40°C to +125°C	-25	25	
I _{GND}	Continuous current through GND	-100	100	
P _{tot}	Total power dissipation ⁽⁴⁾		500	mW
T _{stg}	Storage temperature	-65	150	°C
T _J	Junction temperature		150	

- (1) Operation outside the *Absolute Maximum Ratings* may cause permanent device damage. Absolute maximum ratings do not imply functional operation of the device at these or any other conditions beyond those listed under *Recommended Operating Conditions*. If briefly operating outside the *Recommended Operating Conditions* but within the *Absolute Maximum Ratings*, the device may not sustain damage, but it may not be fully functional. Operating the device in this manner may affect device reliability, functionality, performance, and shorten the device lifetime.
- (2) The algebraic convention, whereby the most negative value is a minimum and the most positive value is a maximum.
- (3) All voltages are with respect to ground, unless otherwise specified.
- (4) For TSSOP package: P_{tot} derates linearly above T_A = 80°C by 7.2mW/°C.
 For SOT-23-THIN package: P_{tot} derates linearly above T_A = 66°C by 6mW/°C.
 For BQB package: P_{tot} derates linearly above T_A = 102°C by 10.6mW/°C.

7.2 ESD Ratings

			VALUE	UNIT
V _(ESD)	Electrostatic discharge	Human body model (HBM), per AEC Q100-002 ⁽¹⁾	±2000	V
		Charged device model (CDM), per AEC Q100-011	±750	

- (1) AEC Q100-002 indicates that HBM stressing shall be in accordance with the ANSI/ESDA/JEDEC JS-001 specification.

7.3 Recommended Operating Conditions

over operating free-air temperature range (unless otherwise noted)

		MIN	NOM	MAX	UNIT
V _{DD}	Supply voltage	1.62		5.5	V
V _S or V _D	Signal path input/output voltage (source or drain pin) (Sx, D)	0		V _{DD}	V
V _{SEL} or V _{EN}	Logic control input pin voltage (EN, A0, A1, A2)	0		5.5	V
I _S or I _{D (CONT)}	Continuous current through switch (Sx, D pins) -40°C to +85°C	-50		50	mA
I _S or I _{D (CONT)}	Continuous current through switch (Sx, D pins) -40°C to +125°C	-25		25	mA
I _{OK}	Current per input into source or drain pins when signal voltage exceeds recommended operating voltage ⁽¹⁾	-50		50	mA
I _{INJ}	Injected current into single off switch input	-50		50	mA
I _{INJ_ALL}	Total injected current into all off switch inputs combined	-100		100	mA
T _A	Ambient temperature	-40		125	°C

- (1) If source or drain voltage exceeds V_{DD}, or goes below GND, the pin will be shunted to GND through an internal FET, the current must be limited within the specified value. If V_{signal} > V_{DD} or if V_{signal} < GND.

7.4 Thermal Information: TMUX1308-Q1

THERMAL METRIC ⁽¹⁾		TMUX1308-Q1			UNIT
		PW (TSSOP)	DYY (SOT)	BQB (WQFN)	
		PINS	PINS	PINS	
R _{θJA}	Junction-to-ambient thermal resistance	139.6	167.1	94.8	°C/W
R _{θJC(top)}	Junction-to-case (top) thermal resistance	77.2	106.3	92.6	°C/W
R _{θJB}	Junction-to-board thermal resistance	84.2	90.0	64.5	°C/W
Ψ _{JT}	Junction-to-top characterization parameter	26.5	17.2	13.3	°C/W
Ψ _{JB}	Junction-to-board characterization parameter	83.8	90.0	64.4	°C/W
R _{θJC(bot)}	Junction-to-case (bottom) thermal resistance	N/A	N/A	42.7	°C/W

(1) For more information about traditional and new thermal metrics, see the [Semiconductor and IC Package Thermal Metrics](#) application report.

7.5 Thermal Information: TMUX1309-Q1

THERMAL METRIC ⁽¹⁾		TMUX1309-Q1			UNIT
		PW (TSSOP)	DYY (SOT)	BQB (WQFN)	
		PINS	PINS	PINS	
R _{θJA}	Junction-to-ambient thermal resistance	139.6	172.4	94.8	°C/W
R _{θJC(top)}	Junction-to-case (top) thermal resistance	77.2	107.0	92.6	°C/W
R _{θJB}	Junction-to-board thermal resistance	84.2	96.1	64.5	°C/W
Ψ _{JT}	Junction-to-top characterization parameter	26.5	19.7	13.3	°C/W
Ψ _{JB}	Junction-to-board characterization parameter	83.8	95.9	64.4	°C/W
R _{θJC(bot)}	Junction-to-case (bottom) thermal resistance	N/A	N/A	42.7	°C/W

(1) For more information about traditional and new thermal metrics, see the [Semiconductor and IC Package Thermal Metrics](#) application report.

7.6 Electrical Characteristics

At specified $V_{DD} \pm 10\%$

Typical values measured at nominal V_{DD}

PARAMETER		TEST CONDITIONS	V_{DD}	Operating free-air temperature (T_A)									UNIT
				25°C			–40°C to 85°C			–40°C to 125°C			
				MIN	TYP	MAX	MIN	TYP	MAX	MIN	TYP	MAX	
ANALOG SWITCH													
R_{ON}	On-state switch resistance	$V_S = 0\text{ V to }V_{DD}$ $I_{SD} = 0.5\text{ mA}$	1.8 V	650	1500			1700			1700	Ω	
			2.5 V	230	600			670			670		
			3.3 V	120	330			350			370		
			5 V	75	195			220			270		
Δ_{RON}	On-state switch resistance matching between inputs	$V_S = V_{DD} / 2$ $I_{SD} = 0.5\text{ mA}$	1.8 V	10	38			45			45	Ω	
			2.5 V	3	20			22			22		
			3.3 V	2	8			11			15		
			5 V	1	7			10			14		
$I_{S(OFF)}$	Source off-state leakage current	Switch Off $V_D = 0.8 \times V_{DD} / 0.2 \times V_{DD}$ $V_S = 0.2 \times V_{DD} / 0.8 \times V_{DD}$	1.8 V	± 1		–25	25	–800	800			nA	
			2.5 V	± 1		–25	25	–800	800				
			3.3 V	± 1		–25	25	–800	800				
			5 V	± 1		–25	25	–800	800				
$I_{D(OFF)}$	Drain off-state leakage current (common drain pin)	Switch Off $V_D = 0.8 \times V_{DD} / 0.2 \times V_{DD}$ $V_S = 0.2 \times V_{DD} / 0.8 \times V_{DD}$	1.8 V	± 1		–45	45	–800	800			nA	
			2.5 V	± 1		–45	45	–800	800				
			3.3 V	± 1		–45	45	–800	800				
			5 V	± 1		–45	45	–800	800				
$I_{D(ON)}$ $I_{S(ON)}$	Channel on-state leakage current	Switch On $V_D = V_S = 0.8 \times V_{DD}$ or $V_D = V_S = 0.2 \times V_{DD}$	1.8 V	± 1		–45	45	–800	800			nA	
			2.5 V	± 1		–45	45	–800	800				
			3.3 V	± 1		–45	45	–800	800				
			5 V	± 1		–45	45	–800	800				
C_{SOFF}	Source off capacitance	$V_S = V_{DD} / 2$ $f = 1\text{ MHz}$	1.8 V	2	14			14			14	pF	
			2.5 V	2	14			14			14		
			3.3 V	2	14			14			14		
			5 V	2	14			14			14		
C_{DOFF}	Drain off capacitance	$V_S = V_{DD} / 2$ $f = 1\text{ MHz}$	1.8 V	7	37			37			37	pF	
			2.5 V	7	37			37			37		
			3.3 V	7	37			37			37		
			5 V	7	37			37			37		
C_{SON} C_{DON}	On capacitance	$V_S = V_{DD} / 2$ $f = 1\text{ MHz}$	1.8 V	11	40			40			40	pF	
			2.5 V	11	40			40			40		
			3.3 V	11	40			40			40		
			5 V	11	40			40			40		
POWER SUPPLY													
I_{DD}	V_{DD} supply current	Logic inputs = 0 V or V_{DD}	1.8 V		1			1			1.2	μA	
			2.5 V		1			1			1.5		
			3.3 V		1			1			2		
			5 V		1			1.5			3		

7.7 Logic and Dynamic Characteristics

At specified $V_{DD} \pm 10\%$

Typical values measured at nominal V_{DD} and $T_A = 25^\circ\text{C}$.

PARAMETER	TEST CONDITIONS	V_{DD}	Operating free-air temperature (T_A)			UNIT	
			-40°C to 125°C				
			MIN	TYP	MAX		
LOGIC INPUTS (\overline{EN} , A0, A1, A2)							
V_{IH}	Input logic high	1.8 V	0.95	5.5	V		
		2.5 V	1.1	5.5			
		3.3 V	1.15	5.5			
		5 V	1.25	5.5			
V_{IL}	Input logic low	1.8 V	0	0.6	V		
		2.5 V	0	0.7			
		3.3 V	0	0.8			
		5 V	0	0.95			
I_{IH}	Logic high input leakage current	$V_{LOGIC} = 1.8\text{ V or }V_{DD}$	All		1	μA	
I_{IL}	Logic low input leakage current	$V_{LOGIC} = 0\text{ V}$	All	-1		μA	
C_{IN}	Logic input capacitance	$V_{LOGIC} = 0\text{ V, }1.8\text{ V, }V_{DD}$ $f = 1\text{ MHz}$	All		1	2	pF
DYNAMIC CHARACTERISTICS							
Q_{INJ}	Charge Injection	$V_S = V_{DD} / 2$ $R_S = 0\ \Omega, C_L = 100\text{ pF}$	1.8 V	-0.5	pC		
			2.5 V	-0.5			
			3.3 V	-1			
			5 V	-6.5			
O_{ISO}	Off Isolation	$V_{BIAS} = V_{DD} / 2$ $V_S = 200\text{ mVpp}$ $R_L = 50\ \Omega, C_L = 5\text{ pF}$ $f = 100\text{ kHz}$	1.8 V	-110	dB		
			2.5 V	-110			
			3.3 V	-110			
			5 V	-110			
O_{ISO}	Off Isolation	$V_{BIAS} = V_{DD} / 2$ $V_S = 200\text{ mVpp}$ $R_L = 50\ \Omega, C_L = 5\text{ pF}$ $f = 1\text{ MHz}$	1.8 V	-90	dB		
			2.5 V	-90			
			3.3 V	-90			
			5 V	-90			
X_{TALK}	Crosstalk	$V_{BIAS} = V_{DD} / 2$ $V_S = 200\text{ mVpp}$ $R_L = 50\ \Omega, C_L = 5\text{ pF}$ $f = 100\text{ kHz}$	1.8 V	-110	dB		
			2.5 V	-110			
			3.3 V	-110			
			5 V	-110			
X_{TALK}	Crosstalk	$V_{BIAS} = V_{DD} / 2$ $V_S = 200\text{ mVpp}$ $R_L = 50\ \Omega, C_L = 5\text{ pF}$ $f = 1\text{ MHz}$	1.8 V	-90	dB		
			2.5 V	-90			
			3.3 V	-90			
			5 V	-90			
BW	Bandwidth	$V_{BIAS} = V_{DD} / 2$ $V_S = 200\text{ mVpp}$ $R_L = 50\ \Omega, C_L = 5\text{ pF}$	1.8 V	350	MHz		
			2.5 V	450			
			3.3 V	500			
			5 V	500			

7.8 Timing Characteristics

At specified $V_{DD} \pm 10\%$

Typical values measured at nominal V_{DD} .

PARAMETER	TEST CONDITIONS	V_{DD}	Operating free-air temperature (T_A)									UNIT
			25°C			-40°C to 85°C			-40°C to 125°C			
			MIN	TYP	MAX	MIN	TYP	MAX	MIN	TYP	MAX	
SWITCHING CHARACTERISTICS												
t_{PD}	Propagation delay	$C_L = 50 \text{ pF}$ Sx to D, D to Sx	1.8 V	15	30			30			30	ns
			2.5 V	8	15			20			20	
			3.3 V	5	11			15			15	
			5 V	4	9			10			10	
		CL = 15 pF	5 V	1.5	4			5			5	
t_{TRAN}	Transition-time between inputs	$R_L = 10 \text{ k}\Omega$, $C_L = 50 \text{ pF}$ Ax to D, Ax to Sx	1.8 V	44	94			103			103	ns
			2.5 V	30	63			67			67	
			3.3 V	23	51			54			54	
			5 V	18	43			46			46	
		$R_L = 10 \text{ k}\Omega$, $C_L = 15 \text{ pF}$	5 V	15	39			43			43	
$t_{ON(EN)}$	Turnon-time from enable	$R_L = 10 \text{ k}\Omega$, $C_L = 50 \text{ pF}$ EN to D, EN to Sx	1.8 V	39	64			75			75	ns
			2.5 V	30	45			50			50	
			3.3 V	26	38			42			42	
			5 V	24	32			37			37	
		$R_L = 10 \text{ k}\Omega$, $C_L = 15 \text{ pF}$	5 V	22	31			35			35	
$t_{OFF(EN)}$	Turnoff time from enable	$R_L = 10 \text{ k}\Omega$, $C_L = 50 \text{ pF}$ EN to D, EN to Sx	1.8 V	58	80			85			85	ns
			2.5 V	21	70			72			72	
			3.3 V	15	65			70			70	
			5 V	11	40			45			45	
		$R_L = 10 \text{ k}\Omega$, $C_L = 15 \text{ pF}$	5 V	8	15			20			20	
t_{BBM}	Break before make time	$R_L = 10 \text{ k}\Omega$, $C_L = 15 \text{ pF}$ Sx to D, D to Sx	1.8 V	1	16		1		1			ns
			2.5 V	1	22		1		1			
			3.3 V	1	24		1		1			
			5 V	1	33		1		1			

7.9 Injection Current Coupling

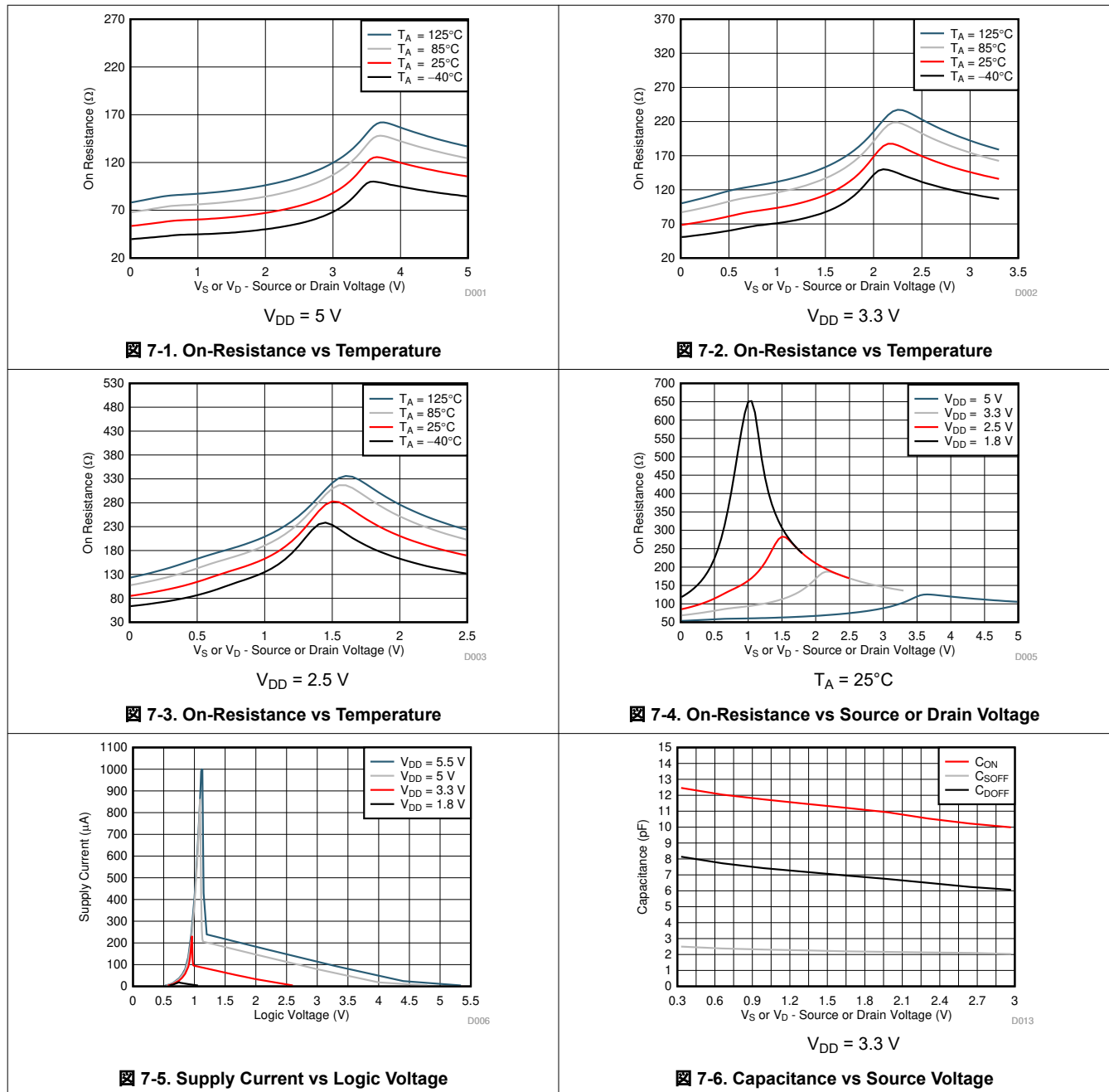
At specified $V_{DD} \pm 10\%$

Typical values measured at nominal V_{DD} and $T_A = 25^\circ\text{C}$.

PARAMETER	V_{DD}	TEST CONDITIONS		-40°C to 125°C			UNIT
				MIN	TYP	MAX	
INJECTION CURRENT COUPLING							
ΔV_{OUT}	Maximum shift of output voltage of enabled analog input	1.8 V	$R_S \leq 3.9\text{ k}\Omega$	$I_{INJ} \leq 1\text{ mA}$	0.01	1	mV
		3.3 V			0.05	1	
		5 V			0.1	1	
		1.8 V	$R_S \leq 3.9\text{ k}\Omega$	$I_{INJ} \leq 10\text{ mA}$	0.01	2	
		3.3 V			0.3	3	
		5 V			0.06	4	
		1.8 V	$R_S \leq 20\text{ k}\Omega$	$I_{INJ} \leq 1\text{ mA}$	0.05	2	
		3.3 V			0.05	2	
		5 V			0.1	2	
		1.8 V	$R_S \leq 20\text{ k}\Omega$	$I_{INJ} \leq 10\text{ mA}$	0.05	15	
		3.3 V			0.05	15	
		5 V			0.02	15	

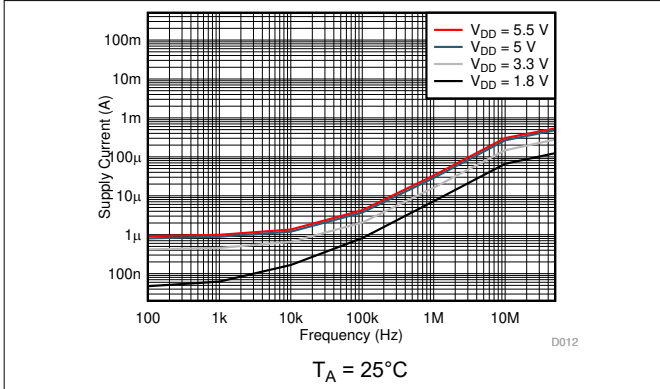
7.10 Typical Characteristics

at $T_A = 25^\circ\text{C}$, $V_{DD} = 5\text{ V}$ (unless otherwise noted)

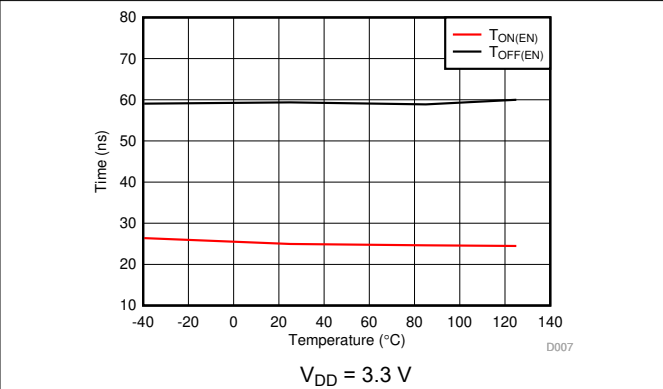


7.10 Typical Characteristics (continued)

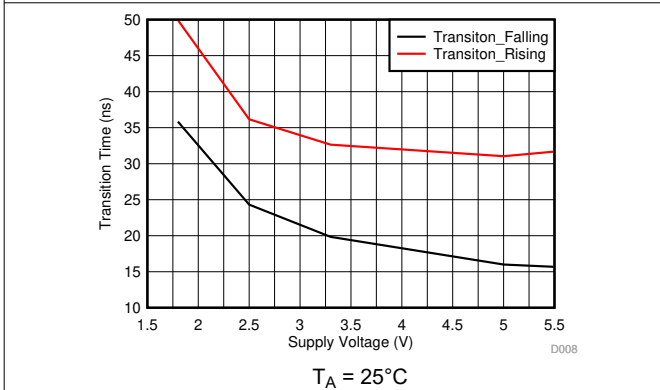
at $T_A = 25^\circ\text{C}$, $V_{DD} = 5\text{ V}$ (unless otherwise noted)



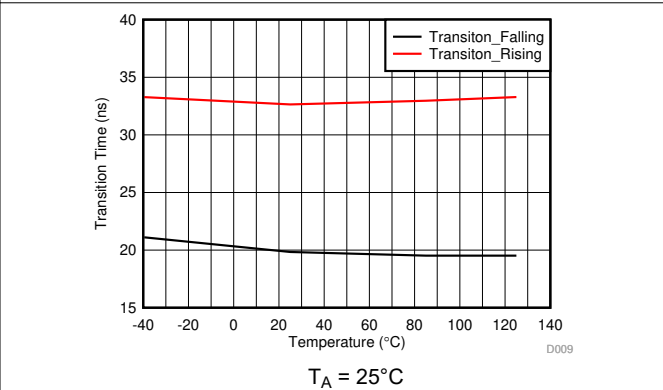
7-7. Supply Current vs Input Switching Frequency



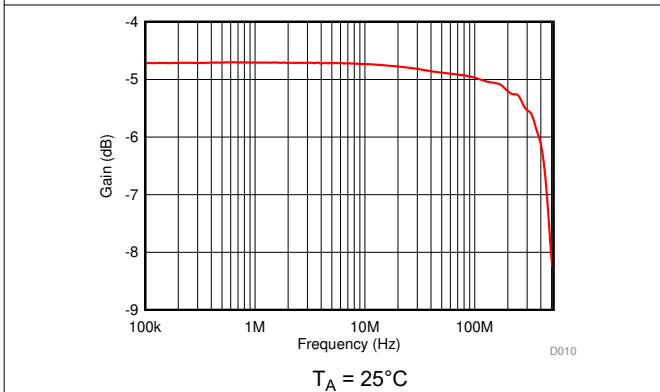
7-8. $T_{ON(EN)}$ and $T_{OFF(EN)}$ vs Temperature



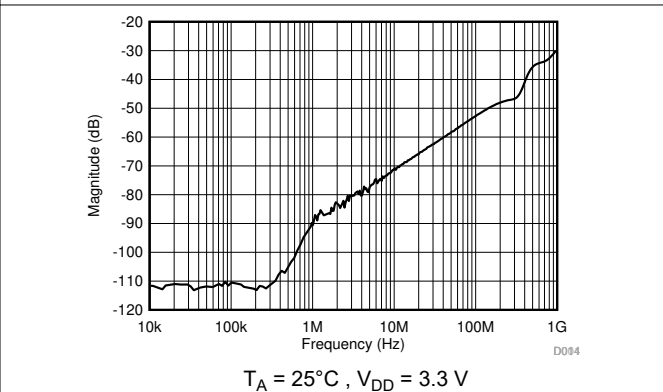
7-9. $T_{TRANSITION}$ vs Supply Voltage



7-10. $T_{TRANSITION}$ vs Temperature



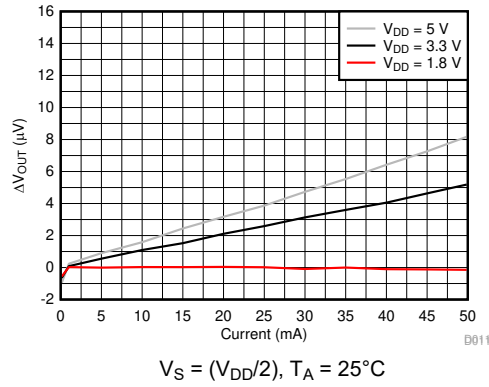
7-11. On Response vs Frequency



7-12. Xtalk and Off-Isolation vs Frequency

7.10 Typical Characteristics (continued)

at $T_A = 25^\circ\text{C}$, $V_{DD} = 5\text{ V}$ (unless otherwise noted)

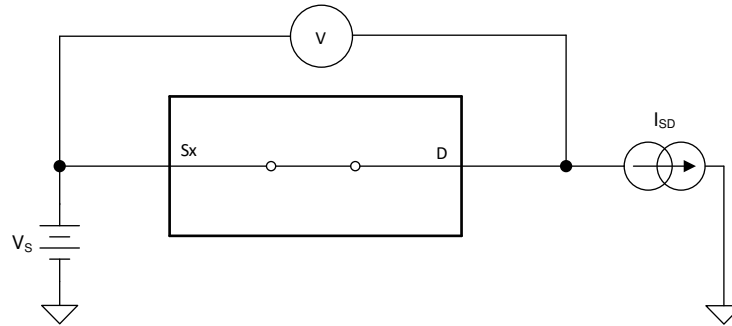


7-13. Injection Current vs Maximum Output Voltage Shift

8 Parameter Measurement Information

8.1 On-Resistance

The on-resistance of a device is the ohmic resistance between the source (Sx) and drain (D) pins of the device. The on-resistance varies with input voltage and supply voltage. The symbol R_{ON} is used to denote on-resistance. The measurement setup used to measure R_{ON} is shown below. Voltage (V) and current (I_{SD}) are measured using this setup, and R_{ON} is computed as shown in [8-1](#) with $R_{ON} = V / I_{SD}$:



8-1. On-Resistance Measurement Setup

8.2 Off-Leakage Current

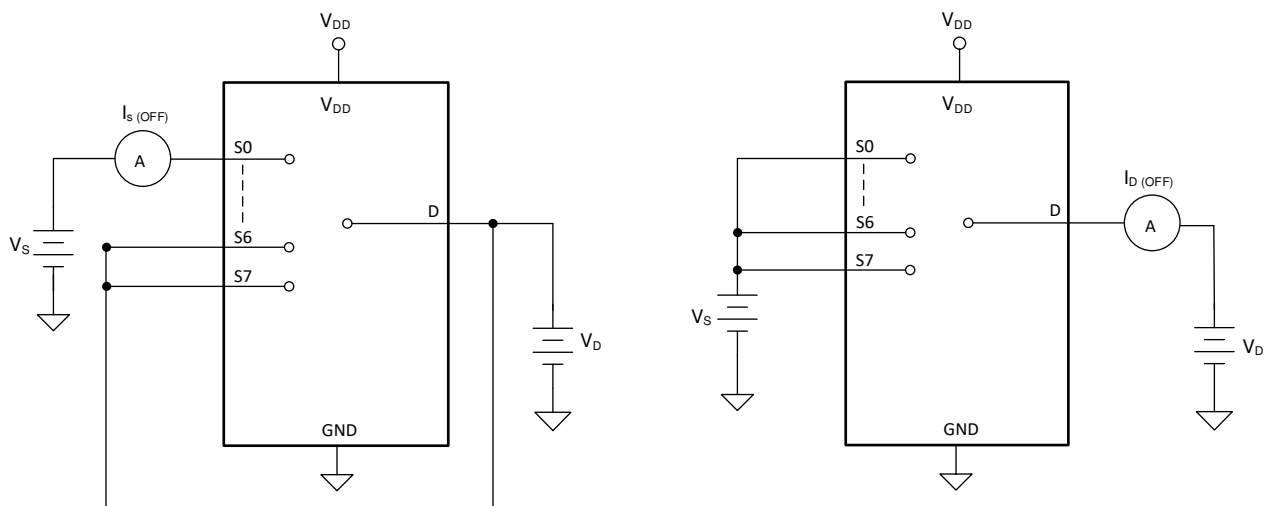
There are two types of leakage currents associated with a switch during the off state:

1. Source off-leakage current.
2. Drain off-leakage current.

Source leakage current is defined as the leakage current flowing into or out of the source pin when the switch is off. This current is denoted by the symbol $I_{S(OFF)}$.

Drain leakage current is defined as the leakage current flowing into or out of the drain pin when the switch is off. This current is denoted by the symbol $I_{D(OFF)}$.

[8-2](#) shows the setup used to measure both off-leakage currents.

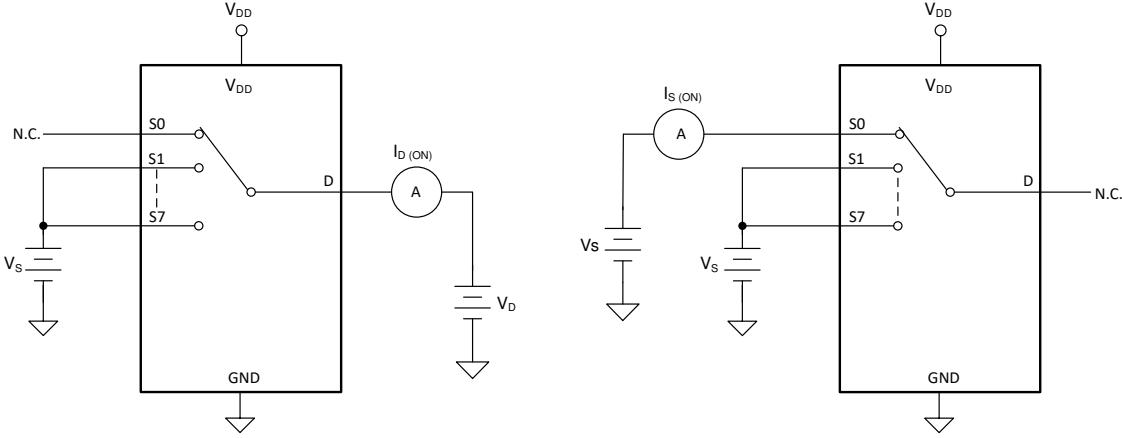


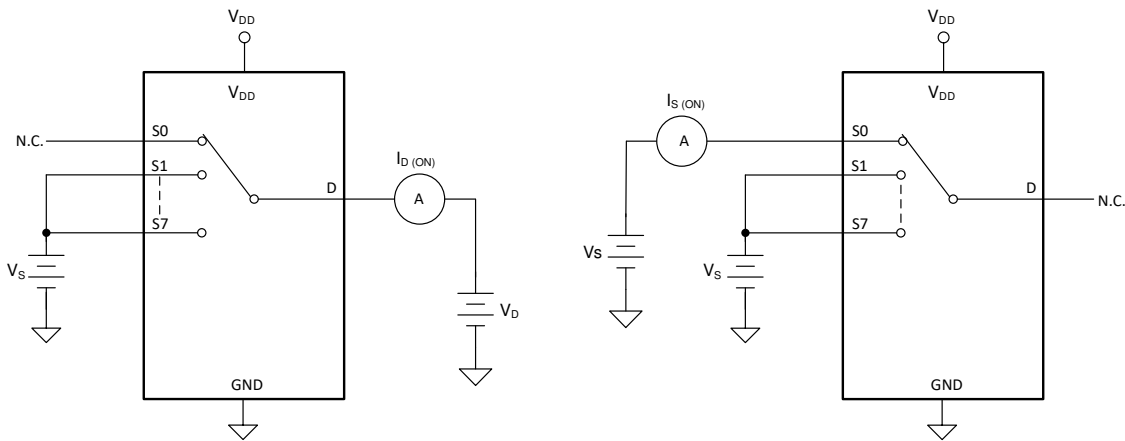
8-2. Off-Leakage Measurement Setup

8.3 On-Leakage Current

Source on-leakage current is defined as the leakage current flowing into or out of the source pin when the switch is on. This current is denoted by the symbol $I_{S(ON)}$.

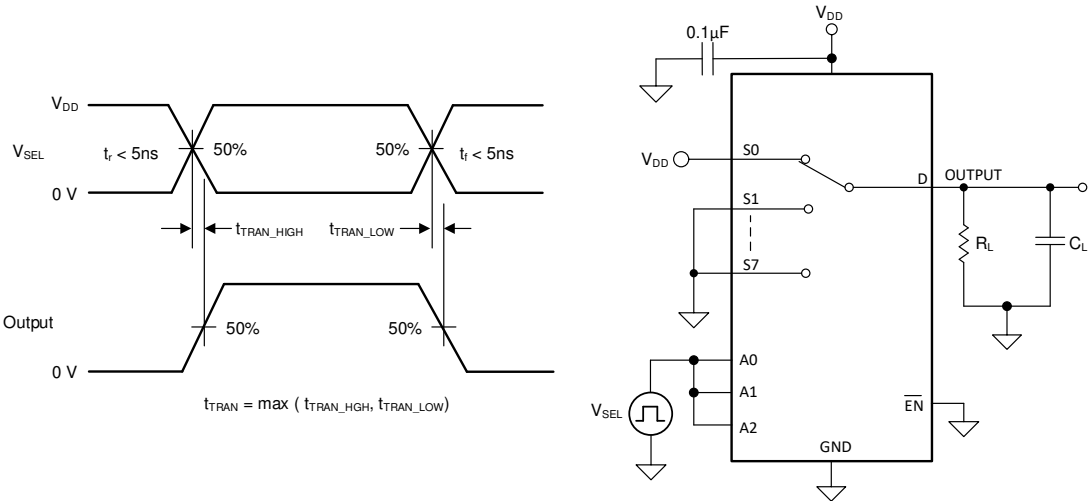
Drain on-leakage current is defined as the leakage current flowing into or out of the drain pin when the switch is on. This current is denoted by the symbol $I_{D(ON)}$.

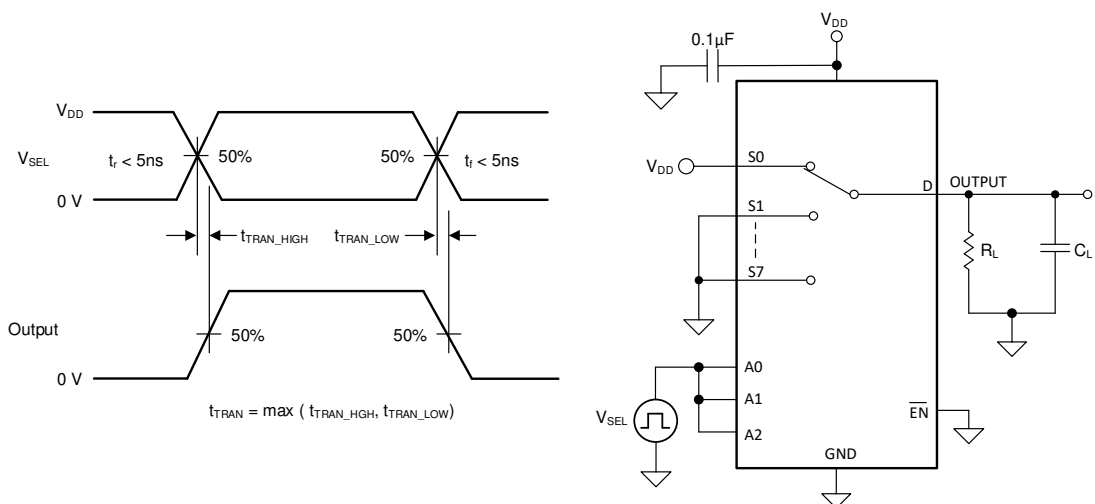
Either the source pin or drain pin is left floating during the measurement.  8-3 shows the circuit used for measuring the on-leakage current, denoted by $I_{S(ON)}$ or $I_{D(ON)}$.



 8-3. On-Leakage Measurement Setup

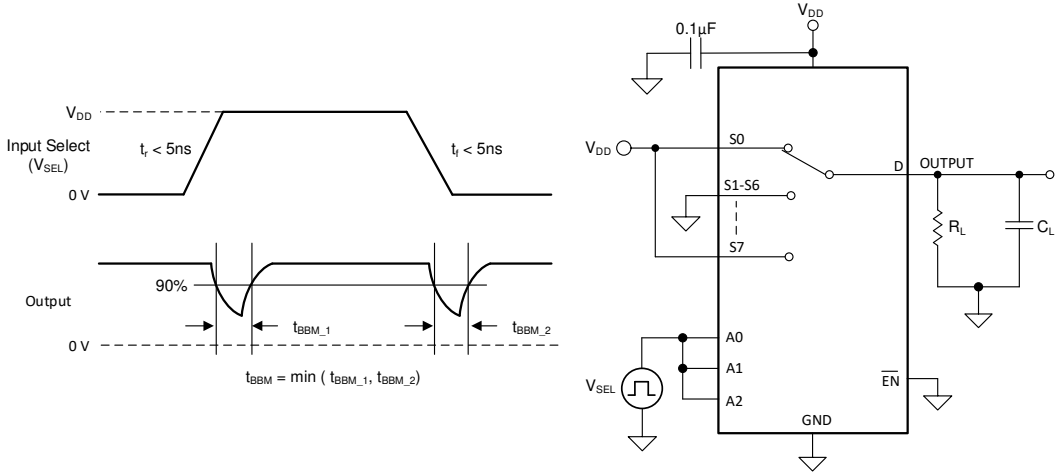
8.4 Transition Time

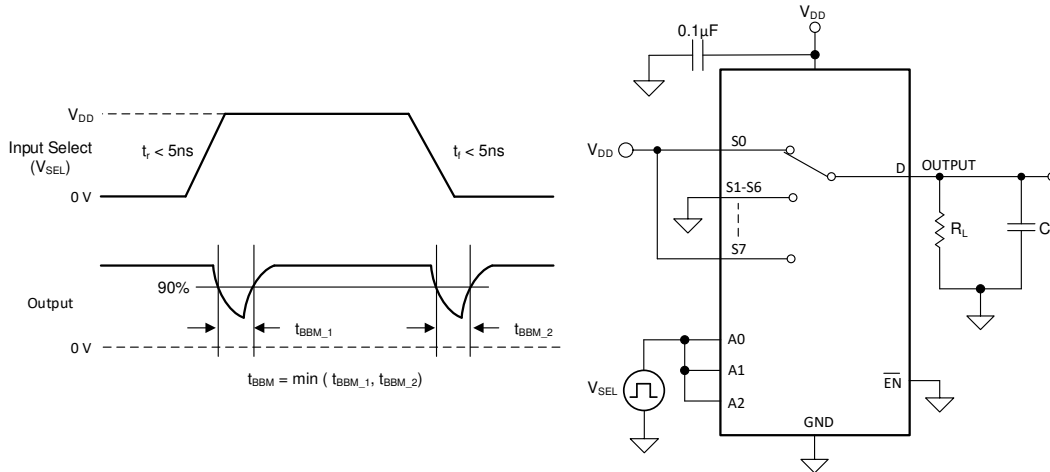
Transition time is defined as the time taken by the output of the device to rise or fall 50% after the address signal has risen or fallen past the 50% threshold.  8-4 shows the setup used to measure transition time, denoted by the symbol $t_{TRANSITION}$.



 8-4. Transition-Time Measurement Setup


8.5 Break-Before-Make

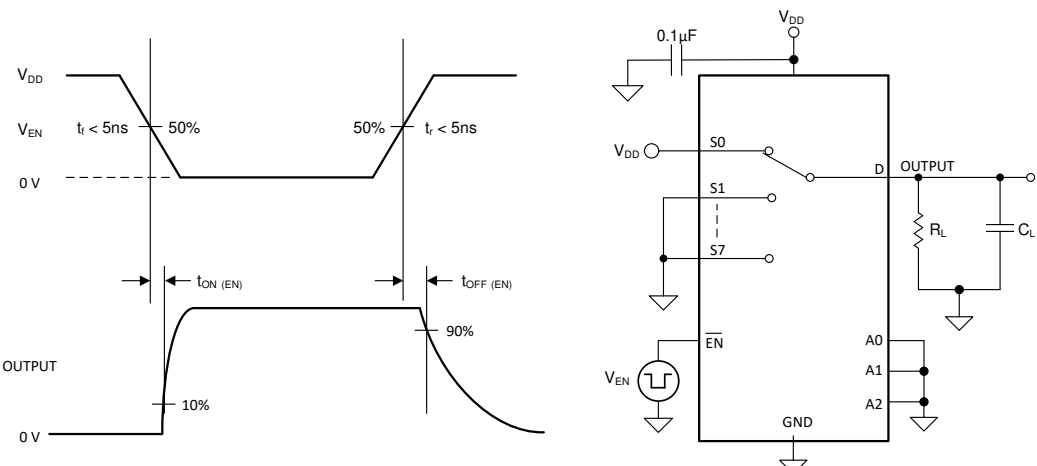
Break-before-make delay is a safety feature that prevents two inputs from connecting when the device is switching. The output first breaks from the on-state switch before making the connection with the next on-state switch. The time delay between the *break* and the *make* is known as break-before-make delay.  shows the setup used to measure break-before-make delay, denoted by the symbol $t_{\text{OPEN(BBM)}}$.

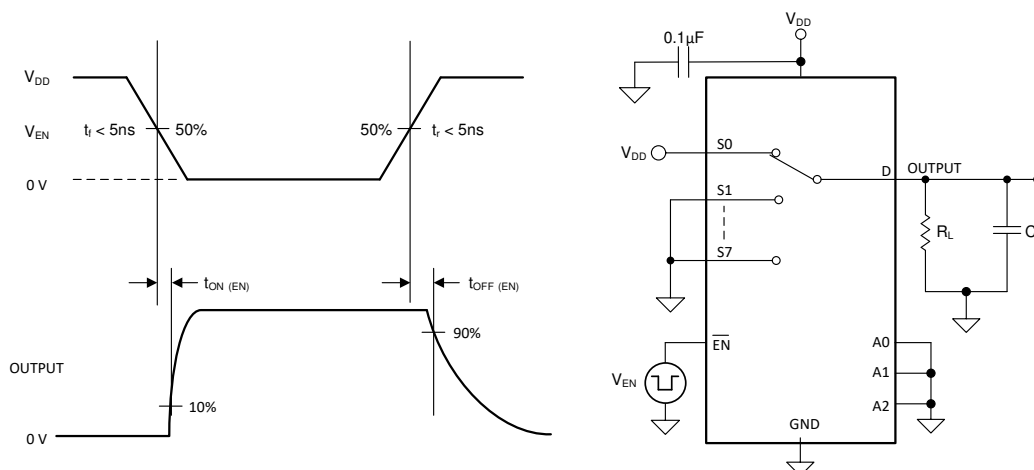


 **8-5. Break-Before-Make Delay Measurement Setup**

8.6 $t_{\text{ON(EN)}}$ and $t_{\text{OFF(EN)}}$

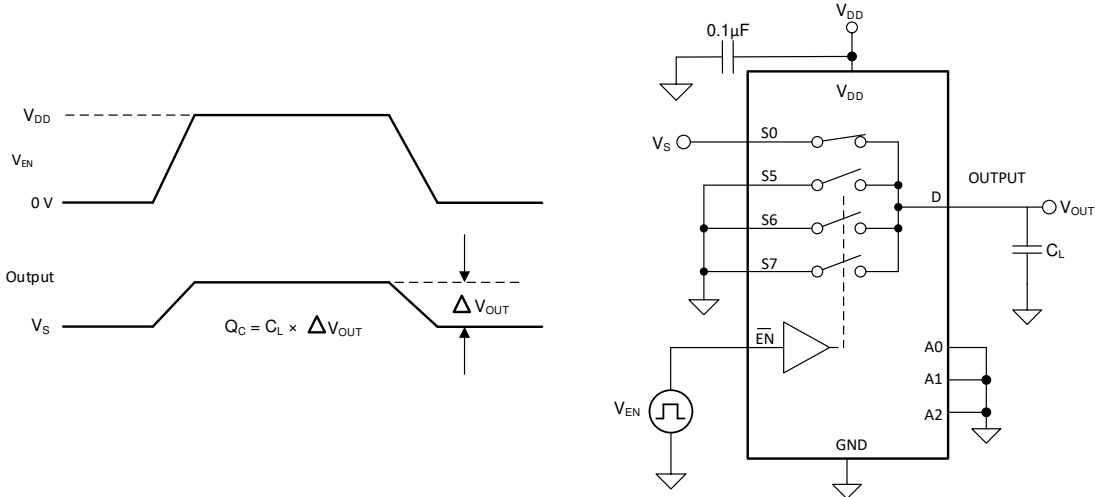
Turn-on time is defined as the time taken by the output of the device to rise to 10% after the enable has risen past the 50% threshold. The 10% measurement is utilized to provide the timing of the device, system level timing can then account for the time constant added from the load resistance and load capacitance.  shows the setup used to measure transition time, denoted by the symbol $t_{\text{ON(EN)}}$.

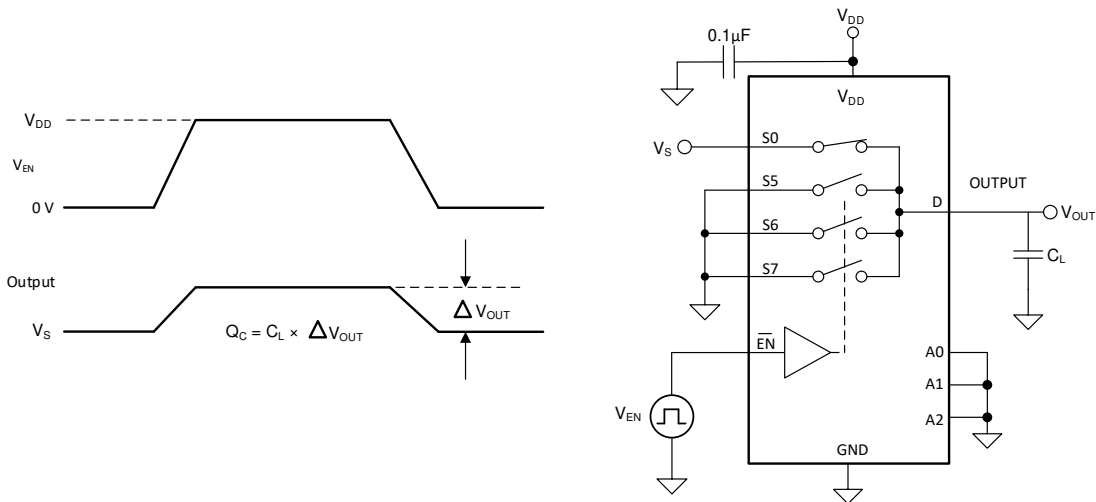
Turn-off time is defined as the time taken by the output of the device to fall to 90% after the enable has fallen past the 50% threshold. The 90% measurement is utilized to provide the timing of the device, system level timing can then account for the time constant added from the load resistance and load capacitance.  shows the setup used to measure transition time, denoted by the symbol $t_{\text{OFF(EN)}}$.



 **8-6. Turn-On and Turn-Off Time Measurement Setup**

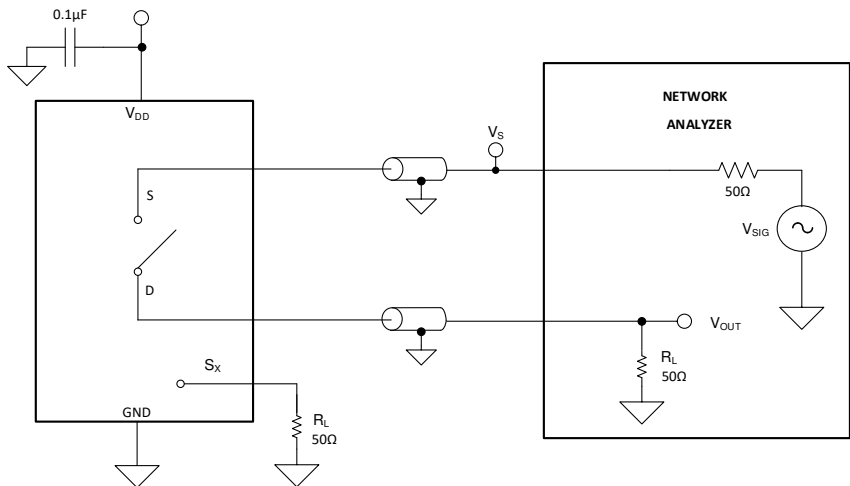
8.7 Charge Injection

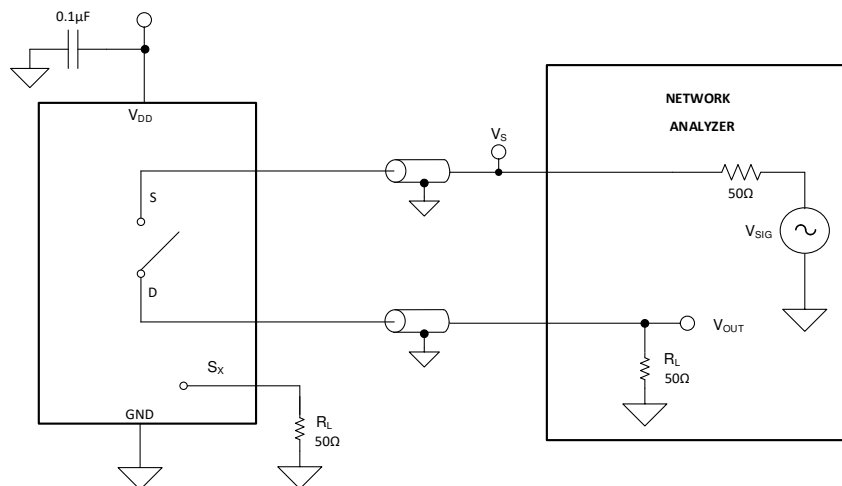
The TMUX1308-Q1 and TMUX1309-Q1 device have a transmission-gate topology. Any mismatch in capacitance between the NMOS and PMOS transistors results in a charge injected into the drain or source during the falling or rising edge of the gate signal. The amount of charge injected into the source or drain of the device is known as charge injection, and is denoted by the symbol Q_C .  shows the setup used to measure charge injection from source (S_x) to drain (D).



 **8-7. Charge-Injection Measurement Setup**

8.8 Off Isolation

Off isolation is defined as the ratio of the signal at the drain pin (D) of the device when a signal is applied to the source pin (S_x) of an off-channel.  shows the setup used to measure, and the equation to compute off isolation.

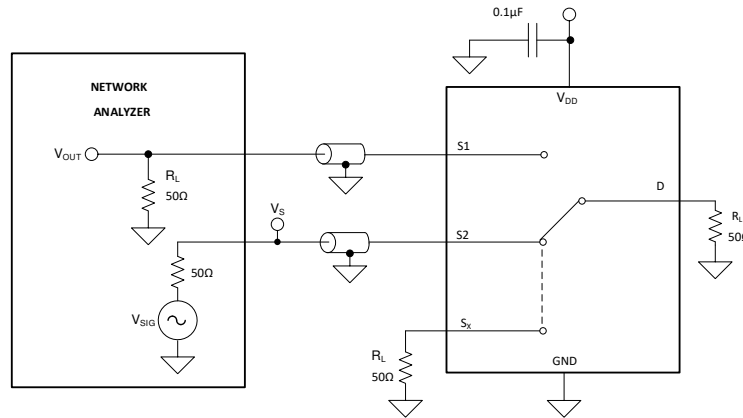


 **8-8. Off Isolation Measurement Setup**

$$\text{Off Isolation} = 20 \cdot \text{Log} \left(\frac{V_{\text{OUT}}}{V_{\text{S}}} \right) \quad (1)$$

8.9 Crosstalk

Crosstalk is defined as the ratio of the signal at the drain pin (D) of a different channel, when a signal is applied at the source pin (S_x) of an on-channel. [8-9](#) shows the setup used to measure, and the equation used to compute crosstalk.

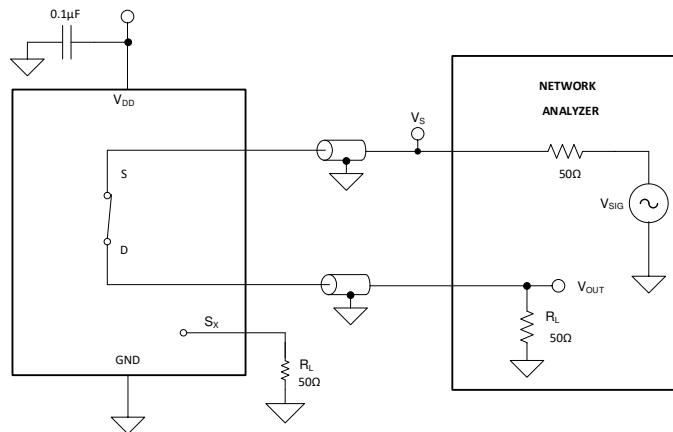


8-9. Channel-to-Channel Crosstalk Measurement Setup

$$\text{Channel-to-Channel Crosstalk} = 20 \cdot \text{Log} \left(\frac{V_{\text{OUT}}}{V_{\text{S}}} \right) \quad (2)$$

8.10 Bandwidth


Bandwidth is defined as the range of frequencies that are attenuated by less than 3 dB when the input is applied to the source pin (S_x) of an on-channel, and the output is measured at the drain pin (D) of the device. [8-10](#) shows the setup used to measure bandwidth.

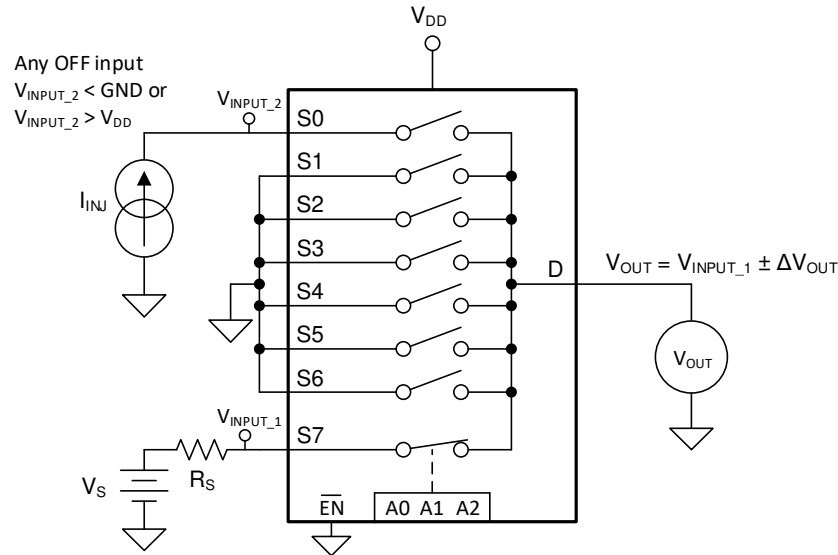


8-10. Bandwidth Measurement Setup

$$\text{Attenuation} = 20 \cdot \text{Log} \left(\frac{V_2}{V_1} \right) \tag{3}$$

8.11 Injection Current Control

Injection current is measured at the change in output of the enabled signal path when a current is injected into a disabled signal path.  8-11 shows the setup used to measure injection current control.



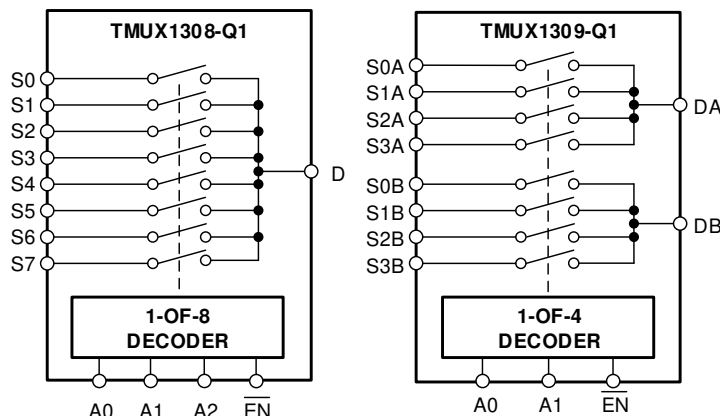
 8-11. Injection Current Measurement Setup

9 Detailed Description

9.1 Overview

The TMUX1308-Q1 is an 8:1, single-ended (1-channel), mux. The TMUX1309-Q1 is a 4:1, differential (2-channel) mux. Each channel is turned on or turned off based on the state of the address lines and enable pin.

9.2 Functional Block Diagram



9.3 Feature Description

9.3.1 Bidirectional Operation

The TMUX1308-Q1 and TMUX1309-Q1 devices conduct equally well from source (S_x) to drain (D_x) or from drain (D_x) to source (S_x). Each signal path has very similar characteristics in both directions so they can be used as both multiplexers and demultiplexer to support both analog and digital signals.

9.3.2 Rail-to-Rail Operation

The valid signal path input and output voltage for the TMUX1308-Q1 and TMUX1309-Q1 ranges from GND to V_{DD} .

9.3.3 1.8 V Logic Compatible Inputs

The TMUX1308-Q1 and TMUX1309-Q1 support 1.8-V logic compatible control for all logic control inputs. The logic input thresholds scale with supply but still provide 1.8-V logic control when operating at 5.5-V supply voltage. 1.8-V logic level inputs allows the multiplexers to interface with processors that have lower logic I/O rails and eliminates the need for an external voltage translator, which saves both space and BOM cost. The current consumption of the TMUX1308-Q1 and TMUX1309-Q1 devices increase when using 1.8-V logic with higher supply voltage. For more information on 1.8-V logic implementations, refer to [Simplifying Design with 1.8 V logic Muxes and Switches](#).


9.3.4 Fail-Safe Logic

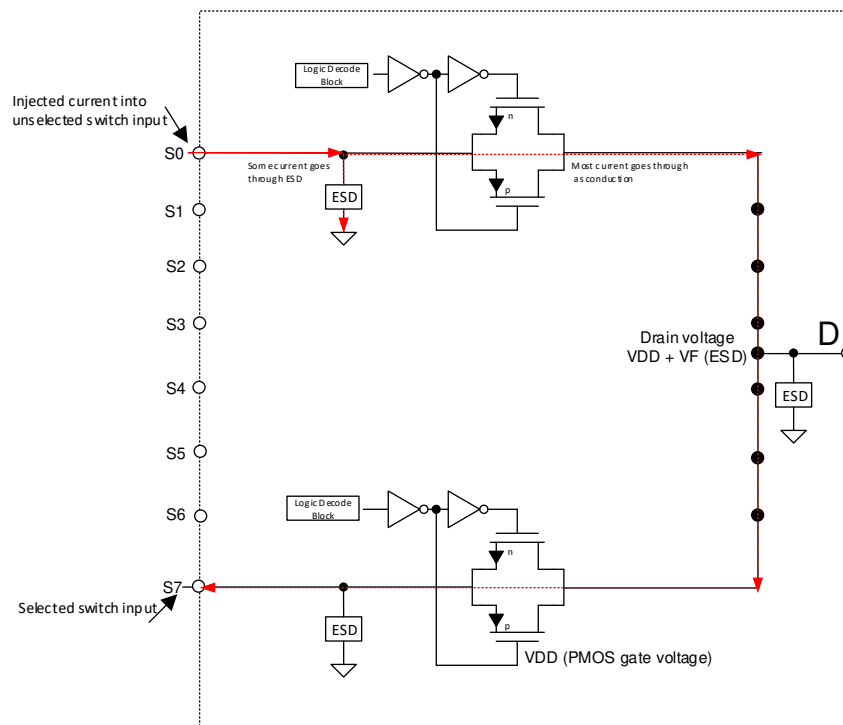
The TMUX1308-Q1 and TMUX1309-Q1 device have Fail-Safe Logic on the control input pins (EN, A0, A1, and A2) allowing for operation up to 5.5-V, regardless of the state of the supply pin. This feature allows voltages on the control pins to be applied before the supply pin, protecting the device from potential damage. Fail-Safe Logic minimizes system complexity by removing the need for power supply sequencing on the logic control pins. For example, the Fail-Safe Logic feature allows the select pins of the TMUX1308-Q1 and TMUX1309-Q1 to be ramped to 5.5-V while $V_{DD} = 0$ -V. Additionally, the feature enables operation of the multiplexers with $V_{DD} = 1.8$ -V while allowing the select pins to interface with a logic level of another device up to 5.5-V, eliminating the potential need for an external voltage translator.

9.3.5 Injection Current Control

Injection current is the current that is being forced into a pin by an input voltage (V_{IN}) higher than the positive supply ($V_{DD} + \Delta V$) or lower than ground (V_{SS}). The current flows through the input protection diodes into whichever supply of the device is potentially compromising the accuracy and reliability of the system. Injected currents can come from various sources depending on the application.

- Harsh environments and applications with long cabling, such as in factory automation and automotive systems, may be susceptible to injected currents from switching or transient events.
- Other self-contained systems can also be subject to injected current if the input signal is coming from various sensors or current sources.

Injected Current Impact: typical CMOS switches have ESD protection diodes on the inputs and outputs. These diodes not only serve as ESD protection but also provide a voltage clamp to prevent the inputs or outputs going above V_{DD} or below GND and V_{SS} . When current is injected into the pin of a disabled signal path, a small amount of current goes through the ESD diode but most of the current goes through conduction to the drain. If forward diode voltage of the ESD diode (V_F) is greater than the PMOS threshold voltage (V_T), then the PMOS of all OFF switches turns ON and there would be undesirable subthreshold leakage between the source and the drain that can lift the OFF source pins up also.  9-1 shows a simplified diagram of a typical CMOS switch and associated injected current path.



 **9-1. Simplified Diagram of Typical CMOS Switch and Associated Injected Current Path**

It is quite difficult to cut off these current paths. The drain pin can never be allowed to exceed the voltage above V_{DD} by more than a V_T . Analog pins can be protected against current injection by adding external components like a Schottky diode from the drain pin to ground to clamp the drain voltage at $< V_{DD} + V_T$ and cut off the current path.

Change in R_{ON} due to Current Injection: because the ON resistance of the enabled FET switch is impacted by the change in the supply rail, when the drain pin voltage exceeds the supply voltage by more than a V_T , an error in the output signal voltage can be expected. This undesired change in the output can cause issues related to false trigger events and incorrect measurement readings, potentially compromising the accuracy and reliability of the system. As shown in [Figure 9-2](#), S2 is the enabled signal path that is conducting a signal from S2 pin to D pin. Because there is an injected current at the disabled S1 pin, the voltage at that pin increases above the supply voltage and the ESD protection diode is forward biased, shifting the power supply rail. This shift in supply voltage alters the R_{ON} of the internal FET switches, causing a ΔV error on the output at the D pin.

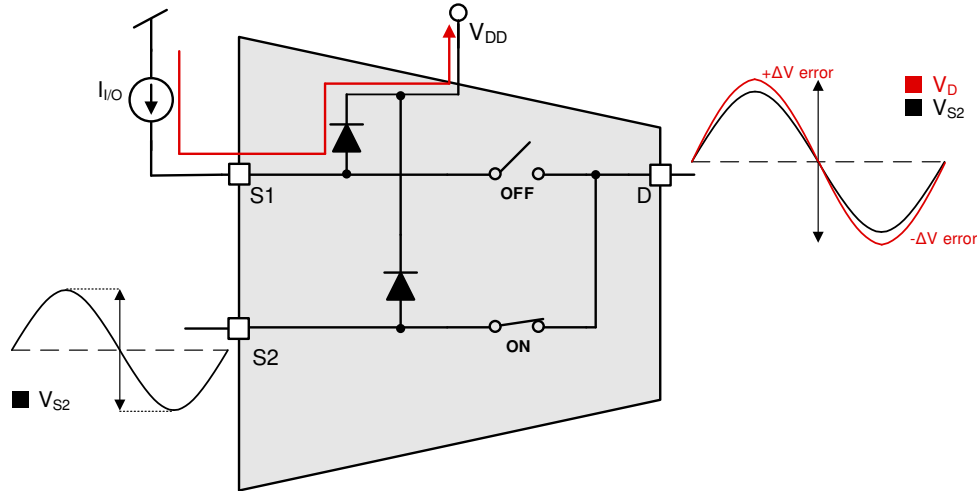


Figure 9-2. Injected Current Impact on R_{ON}

To avoid the complications of added external protection to your system, the TMUX1308-Q1 and TMUX1309-Q1 devices have an internal injection current control feature which eliminates the need for external diode and resistor networks typically used to protect the switch and keep the input signals within the supply voltage. The internal injection current control circuitry allows the signals on the disabled signal paths to exceed the supply voltage without affecting the signal of the enabled signal path. The injection current control circuitry also protects the TMUX13xx-Q1 from currents injected into disabled signal paths without impacting the enabled signal path, which typical CMOS switches do not support. Additionally, the TMUX1308-Q1 and TMUX1309-Q1 do not have any internal diode paths to the supply pin, which eliminates the risk of damaging components connected to the supply pin or providing unintended power to the system supply rail. For a simplified diagram that shows one signal path for the TMUX13xx-Q1 devices and the associated injection current circuit, refer to [セクション 9.2](#).

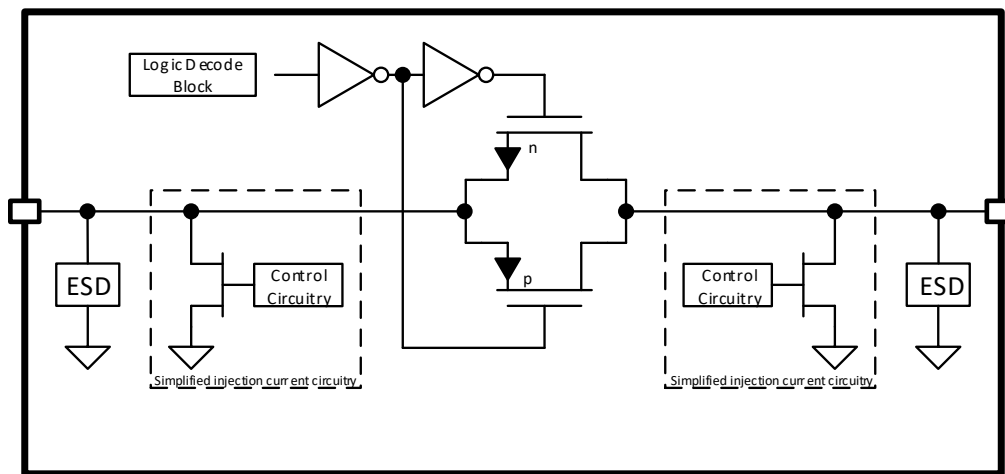

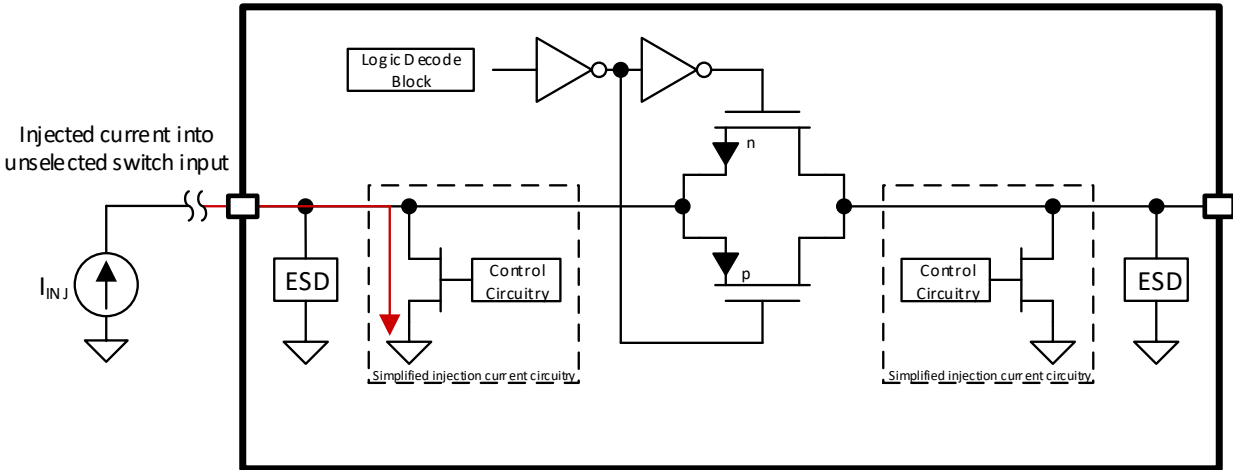



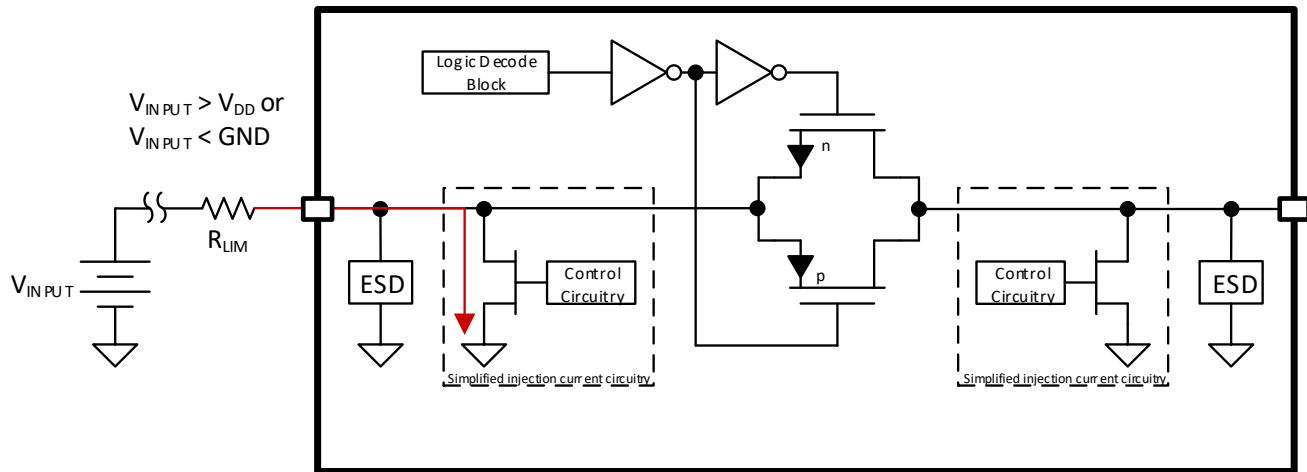
Figure 9-3. Simplified Diagram of Injection Current Control

The injection current control circuitry is independently controlled for each source or drain pin (Sx or D). The control circuitry for a particular pin is enabled when that input is disabled by the logic pins and the injected current causes the voltage at the pin to be above V_{DD} or below GND. The injection current circuit includes an FET to shunt the undesired current to GND in the case of overvoltage or injected current events. Each injection current circuit is rated to handle up to 50 mA; the device, however, can support a maximum current of 100 mA at any given time. Depending on the system application, a series limiting resistor may be needed and must be sized appropriately.  9-3 shows the TMUX13xx-Q1 protection circuitry with an injected current at an input pin.



 9-4. Injected Current at Input Pin

 9-5 shows an example of using a series limiting resistor in the case of an overvoltage event.



 9-5. Over-Voltage Event with Series Resistor

For the injection current control circuitry to be active, two conditions must be present. First, the voltage at the source or drain pins is greater than V_{DD} , or less than GND. Next, the channel must be unselected. With those two requirements met, the protection FET will be turned on for any disabled signal path and shunt the pin to GND. In this event, a series resistor is needed to limit the total current injected into the device to be less than 100 mA. Three example scenarios are outlined in the following sections.

9.3.5.1 TMUX13xx-Q1 is Powered, Channel is Unselected, and the Input Signal is Greater Than V_{DD} ($V_{DD} = 5\text{ V}$, $V_{INPUT} = 5.5\text{ V}$)

A typical CMOS switch would have an internal ESD diode to the supply pin rated for $\approx 30\text{ mA}$ that would be turned on and a series limited resistor would be needed. However, any conducted current would be injected into the supply rail potentially damaging the system, unexpectedly turning on other devices on the same supply rail, or requiring additional components for protection. The TMUX13xx-Q1 implementation also handles this scenario with a series limiting resistor; the current path, however, is now to GND which does not have the same issues as the current injected into the supply rail.

9.3.5.2 TMUX13xx-Q1 is Powered, Channel is Selected, and the Input Signal is Greater Than V_{DD} ($V_{DD} = 5\text{ V}$, $V_{INPUT} = 5.5\text{ V}$)

The injection current control circuitry is fully active when the channel is unselected and an overvoltage event is present (overvoltage being defined as 0.5 V above the supply rail). However, in situations where the channel is selected and an overvoltage event occurs, this protection circuitry will still be partially active. In this instance, a portion of the injected current will be redirected through the protection circuitry to GND, but will not be a full shunt. So, some current will also flow through the source to drain path. This allows the device to tolerate overvoltage conditions in the event of the channel being selected, but precautions are still necessary to protect the device from overcurrent events such as implementing a current limiting resistor to keep the device below the maximum continuous source and drain current specification.

9.3.5.3 TMUX13xx-Q1 is Unpowered and the Input Signal has a Voltage Present ($V_{DD} = 0\text{ V}$, $V_{INPUT} = 3\text{ V}$)

Many CMOS switches are unable to support a voltage at the input without a valid supply voltage present, otherwise the voltage will be coupled from input to output and could damage downstream devices or impact power-sequencing. The TMUX13xx-Q1 circuitry can handle an input signal present without a supply voltage while minimizing power transfer from the input to output of the switch. By limiting the output voltage coupling to 400 mV the TMUX1308-Q1 and TMUX1309-Q1 help reduce the chance of conduction through any downstream ESD diodes.

9.4 Device Functional Modes

When the $\overline{\text{EN}}$ pin of the TMUX1308-Q1 is pulled low, one of the switches is closed based on the state of the address lines. Similarly, when the $\overline{\text{EN}}$ pin of the TMUX1309-Q1 is pulled low, two of the switches are closed based on the state of the address lines. When the $\overline{\text{EN}}$ pin is pulled high, all the switches are in an open state regardless of the state of the address lines.

Unused logic control pins must be tied to GND or V_{DD} so that the device does /not consume additional current as highlighted in [Implications of Slow or Floating CMOS Inputs](#). Unused signal path inputs (Sx and Dx) should be connected to GND.

9.5 Truth Tables

表 9-1 and 表 9-2 provides the truth tables for the TMUX1308-Q1 and TMUX1309-Q1 respectively.

表 9-1. TMUX1308-Q1 Truth Table

$\overline{\text{EN}}$	A2	A1	A0	Selected Signal Path Connected To Drain (D) Pin
0	0	0	0	S0
0	0	0	1	S1
0	0	1	0	S2
0	0	1	1	S3
0	1	0	0	S4
0	1	0	1	S5
0	1	1	0	S6
0	1	1	1	S7

表 9-1. TMUX1308-Q1 Truth Table (continued)

EN	A2	A1	A0	Selected Signal Path Connected To Drain (D) Pin
1	X ⁽¹⁾	X ⁽¹⁾	X ⁽¹⁾	All channels are off

(1) X denotes *do not care*.

表 9-2. TMUX1309-Q1 Truth Table

EN	A1	A0	Selected Signal Path Connected To Drain (DA and DB) Pins
0	0	0	S0A to DA S0B to DB
0	0	1	S1A to DA S1B to DB
0	1	0	S2A to DA S2B to DB
0	1	1	S3A to DA S3B to DB
1	X ⁽¹⁾	X ⁽¹⁾	All channels are off

(1) X denotes *do not care*.

10 Application and Implementation

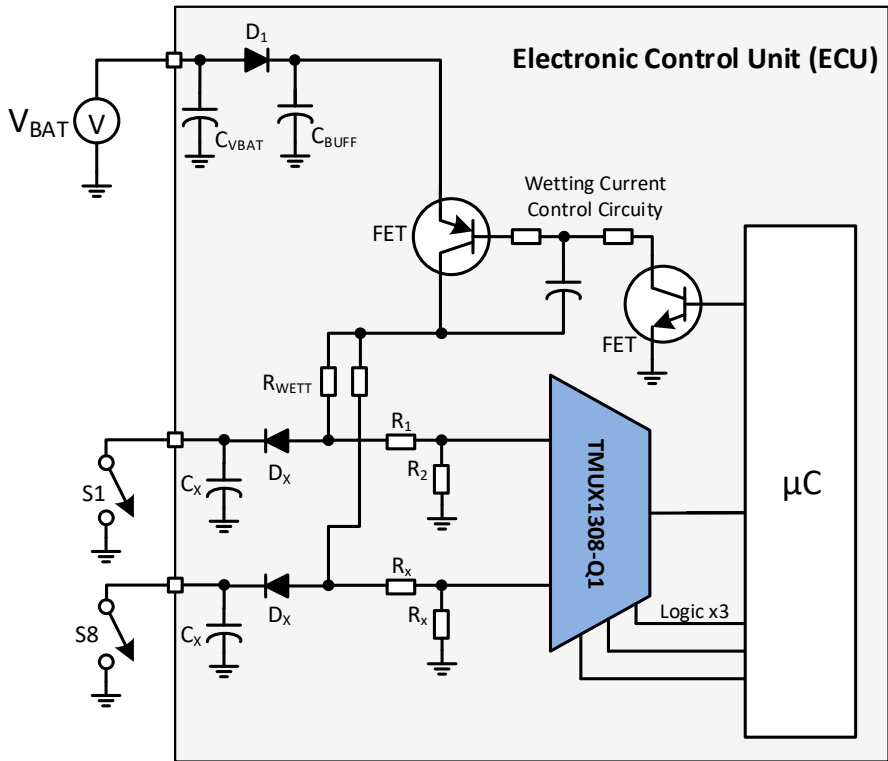
注

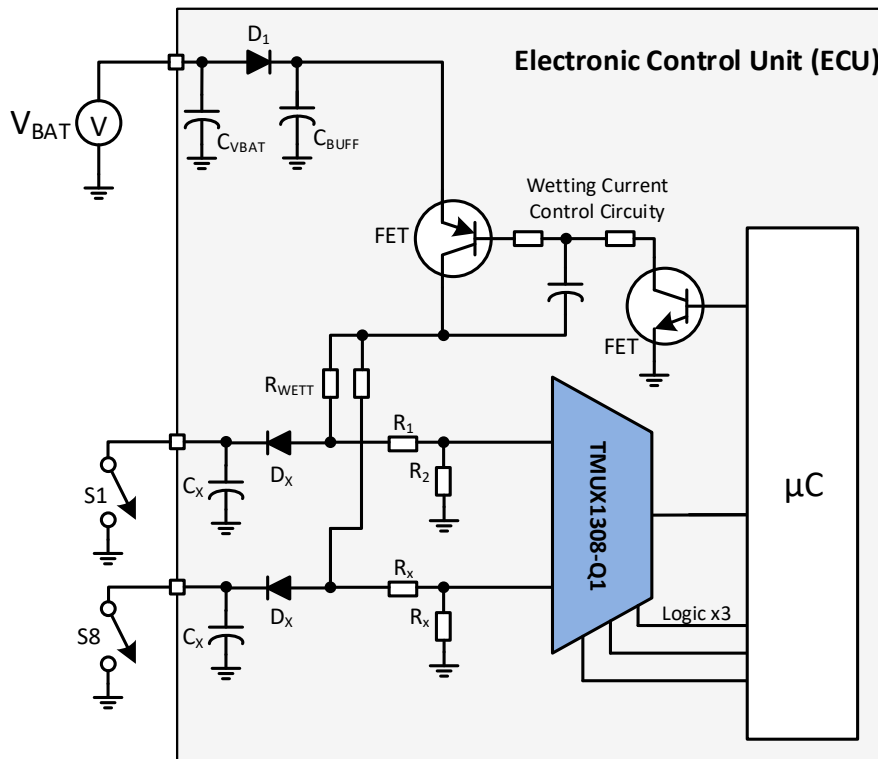
Information in the following applications sections is not part of the TI component specification, and TI does not warrant its accuracy or completeness. TI's customers are responsible for determining suitability of components for their purposes. Customers should validate and test their design implementation to confirm system functionality.

10.1 Application Information

The TMUX13xx-Q1 family offers protection against injection current events across a wide operating supply range (1.62 V to 5.5 V). These devices include 1.8 V logic compatible control input pins that enable operation in systems with 1.8 V I/O rails. Additionally, the control input pins support Fail-Safe Logic which allows for operation up to 5.5 V, regardless of the state of the supply pin. This feature stops the logic pins from back-powering the supply rail while the injection current circuitry prevents the signal path from back-powering the supply. These features make the TMUX13xx-Q1 a family of general purpose multiplexers and switches that can reduce system complexity, board size, and overall system cost.

10.2 Typical Application

One useful application that takes advantage of the TMUX13xx-Q1 features is multiplexing various physical switches in a body control module (BCM) or electronic control unit (ECU). Automotive BCMs are complex systems designed to manage numerous functions such as lighting, door locks, windows, wipers, turn signals, and many more inputs. The BCM monitors these physical switches and controls power to various loads within the vehicle. A CMOS multiplexer can be used to multiplex the inputs and minimize the number of GPIO or ADC inputs needed by an onboard MCU.  10-1 shows a typical BCM system using the TMUX1308-Q1 to multiplex system inputs.



 10-1. Multiplexing BCM Inputs

10.2.1 Design Requirements

For this design example, use the parameters listed in 表 10-1.

表 10-1. Design Parameters

PARAMETERS	VALUES
Supply (V_{DD})	5.0 V
I/O signal range	0 V to V_{DD} (Rail to Rail)
Control logic thresholds	1.8 V compatible
Switch inputs	Eight

10.2.2 Detailed Design Procedure

The TMUX1308-Q1 has an [injection current control feature](#) which eliminates the need for external diode or resistor networks typically used to protect the switch and keep the input signals within the supply voltage. The internal injection current control circuitry allows signals on disabled signal paths to exceed the supply voltage without affecting the signal of the enabled signal path. Injected currents can come from various sources such as from long cabling in automotive systems that may be susceptible to induced currents from switching or transient events. Another momentary source of injected currents in BCMs are wetting currents, which are small currents used to prevent oxidation on metal switch contacts or wires. A switch without injection current control can have the measured output of the enabled signal path impacted if a current is injected into a disabled signal path. This undesired change in the output can cause issues related to false trigger events and incorrect measurement readings which can compromise the accuracy and reliability of the BCM system. 图 10-2 shows a detailed BCM application.

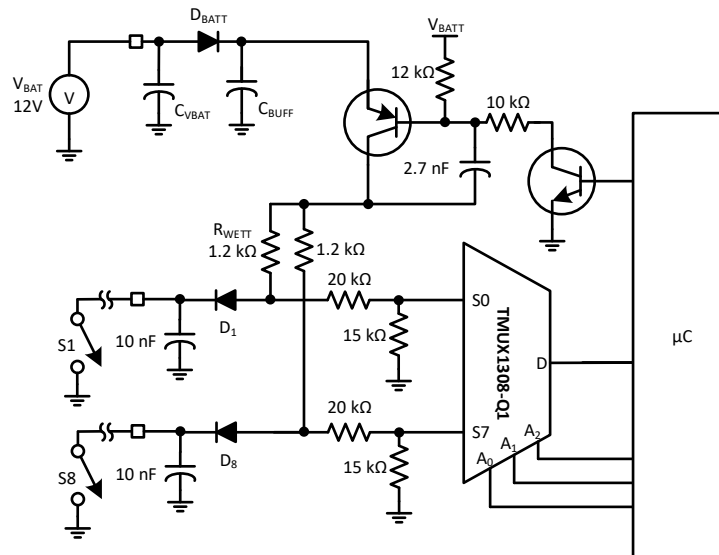


图 10-2. Detailed BCM Application

The BCM uses the 12 V battery voltage to provide a wetting current to each switch when the associated control circuitry is enabled by the micro controller. The wetting current is sized by the R_{WETT} and the required value may vary depending on the type of physical switch being monitored. The 20 k Ω and 15 k Ω resistors are used in addition to the wetting resistor to create a voltage divider before the input of the multiplexer in case of a short to battery condition. The resistor values are selected to maintain the voltage at the switch signal path below V_{DD} . The 20 k Ω series resistor also limits the amount of injected current into the switch if an overvoltage event occurs. Diodes D1 through D8 are used to prevent back flow of current in case a secondary system is monitoring the same physical switches for backup or redundancy reasons. The 10 nF capacitors are used for initial ESD protection in the system and must be sized based on system level requirements.

The logic address pins are controlled by the micro controller to cycle between the eight switch inputs in the system. If the parts desired power-up state is disabled, then the enable pin should have a weak pull-up resistor and be controlled by the MCU through the GPIO.

10.2.3 Short To Battery Protection

When evaluating the safety and reliability of an automotive grade multiplexer, it is important to note their performance under various operating conditions. In the case of TMUX13xx-Q1, we examine it's response to various short-to-battery conditions to provide insight on system level design for automotive optimization. It is important to design around short-to-battery as failure to do so can result in operational issues. The following section shows a deep dive into three scenarios to demonstrate the behavior of the TMUX1308-Q1 under short-to-battery conditions using a 5V supply voltage.

We begin with the following setup to explore our first scenario with channel S7 selected and channel S0 experiencing a short-to-battery condition.

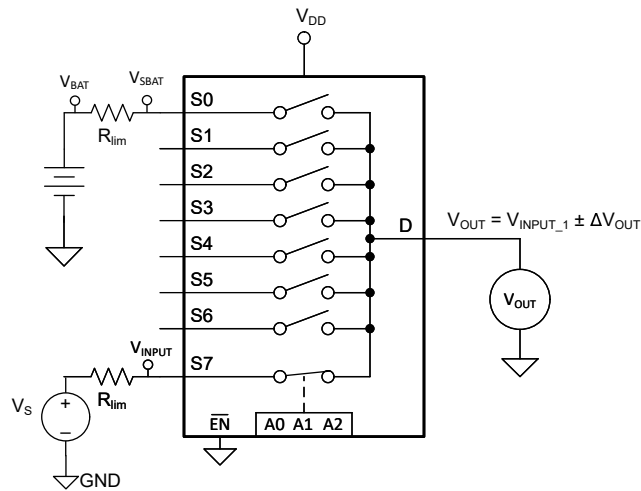


图 10-3. Channel S7 selected, Channel S0 experiencing a short-to-battery condition

表 10-2 indicates values of ΔV_{OUT} , V_{SBAT} and minimum R_{LIM} for various V_{BAT} cases when considering a maximum allotment of 25mA for I_S/I_D . Choosing too large of an R_{LIM} will negatively affect ΔV_{OUT} as well as substantially limit current flow. Choosing too small of an R_{LIM} can damage the device.

表 10-2. R_{LIM} Values for 25mA Through the Switch

V_{BAT}	R_{LIM}	ΔV_{OUT} (typ)	V_{SBAT}
12V	470	< 10 μ V	5.6V
19V	750	< 10 μ V	5.6V
24V	1K	< 10 μ V	5.6V
36V	1.5K	< 10 μ V	5.6V
48V	2K	< 10 μ V	5.6V
60V	2.4K	< 10 μ V	5.6V

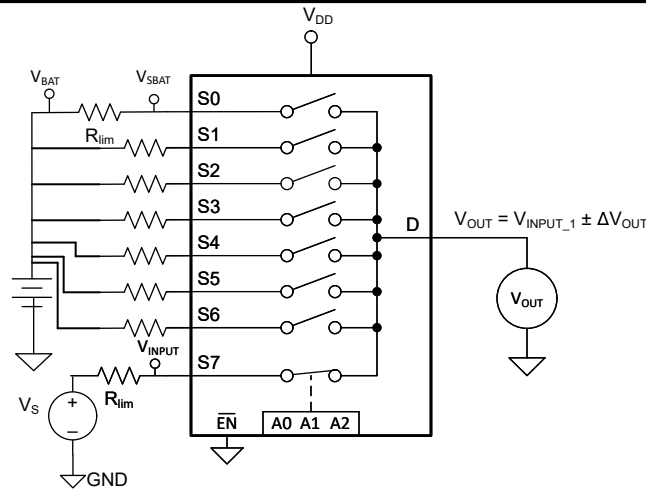


图 10-4. All Unselected Channels Experiencing a Short-to-Battery Condition

We then evaluate the scenario of seeing a short to battery condition on all unselected channels at the same time. The below table indicates values when considering a **maximum allotment of 12.5mA for I_S/I_D**. If you have the potential to see short to battery on all channels at the same time, then 12.5 mA is the limiting factor. Here again choosing too large of an R_{LIM} will negatively affect ΔV_{OUT} as well as substantially limit current flow. Choosing too small of an R_{LIM} can also damage the device.

表 10-3. R_{LIM} Values for 12.5mA Through the Switch

V _{BAT}	R _{LIM}	ΔV _{OUT} (typ)	V _{SBAT}
12V	1K	< 10 uV	5.6V
19V	1.5K	< 10 uV	5.6V
24V	2K	< 10 uV	5.6V
36V	3K	< 10 uV	5.6V
48V	3.9K	< 10 uV	5.6V
60V	4.7K	< 10 uV	5.6V

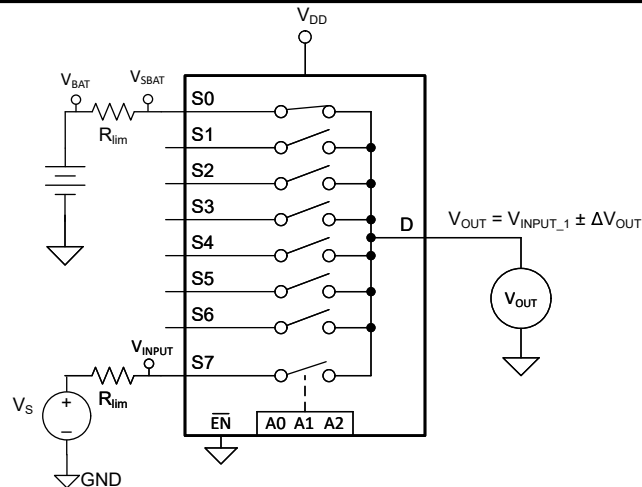


图 10-5. Short-to-Battery Condition Only on a Single Selected Channel

We then evaluate the scenario of a short to battery occurring when the switch is closed using a 5V supply. As such, input voltage needs to be limited to 6V. The below table indicates values of R_{LIM} needed to keep the voltage of a selected channel under 6V using a standard 5V V_{DD} for all short to battery cases. Choosing too large of an R_{LIM} will negatively affect ΔV_{OUT} as well as substantially limit current flow. Choosing too small of an R_{LIM} can also damage the device.

表 10-4. R_{LIM} Values for <6V Through the Switch

V_{BAT}	R_{LIM}	ΔV_{OUT} (typ)	V_{SBAT}
12V	1.6K	< 10 μ V	5.9V
18V	3K	< 10 μ V	5.9V
19V	3.3K	< 10 μ V	5.9V
24V	4.7K	< 10 μ V	5.9V
36V	10K	< 10 μ V	5.9V
48V	13K	< 10 μ V	5.9V
60V	15K	< 10 μ V	5.9V

In conclusion, several short-to-battery case studies were observed using a 5V supply. Note that if using a lower supply voltage, the R_{LIM} values will change for optimal current flow. It is important to protect against short to battery conditions as a failure to do so can result in system level issues. Caution must be observed to design around these conditions and the electrical characteristics of the device such that proper operation of the device is guaranteed.

10.3 Power Supply Recommendations

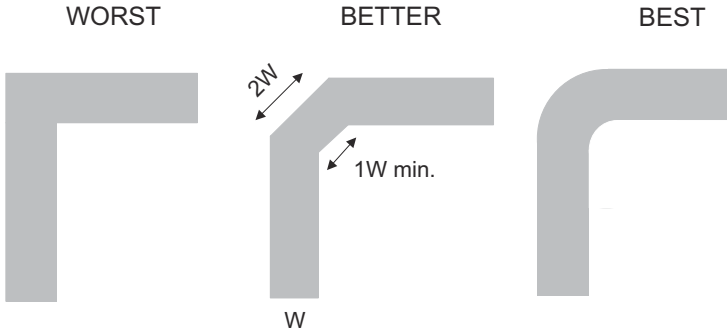
The TMUX1308-Q1 and TMUX1309-Q1 devices operate across a wide supply range of 1.62 V to 5.5 V. Note: do not exceed the absolute maximum ratings because stresses beyond the listed ratings can cause permanent damage to the devices.

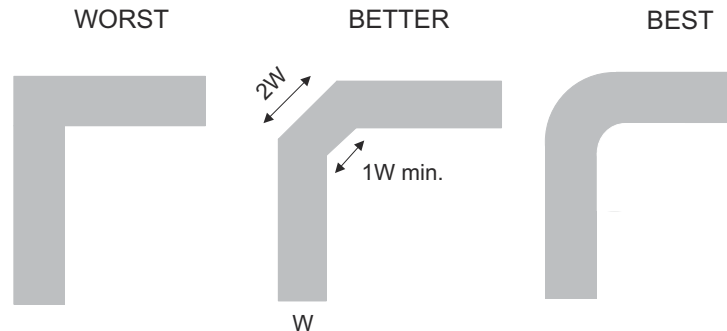
Power-supply bypassing improves noise margin and prevents switching noise propagation from the V_{DD} supply to other components. Good power-supply decoupling is important to achieve optimum performance. For improved supply noise immunity, use a supply decoupling capacitor ranging from 0.1 μ F to 10 μ F from V_{DD} to ground. Place the bypass capacitors as close to the power supply pins of the device as possible using low-impedance connections. TI recommends using multi-layer ceramic chip capacitors (MLCCs) that offer low equivalent series resistance (ESR) and inductance (ESL) characteristics for power-supply decoupling purposes. For very sensitive systems, or for systems in harsh noise environments, avoiding the use of vias for connecting

the capacitors to the device pins may offer superior noise immunity. The use of multiple vias in parallel lowers the overall inductance and is beneficial for connections to ground planes.

10.4 Layout


10.4.1 Layout Guidelines

When a PCB trace turns a corner at a 90° angle, a reflection can occur. A reflection occurs primarily because of the change of width of the trace. At the apex of the turn, the trace width increases to 1.414 times the width. This increase upsets the transmission-line characteristics, especially the distributed capacitance and self-inductance of the trace which results in the reflection. Not all PCB traces can be straight; therefore, some traces must turn corners.  shows progressively better techniques of rounding corners. Only the last example (BEST) maintains constant trace width and minimizes reflections.



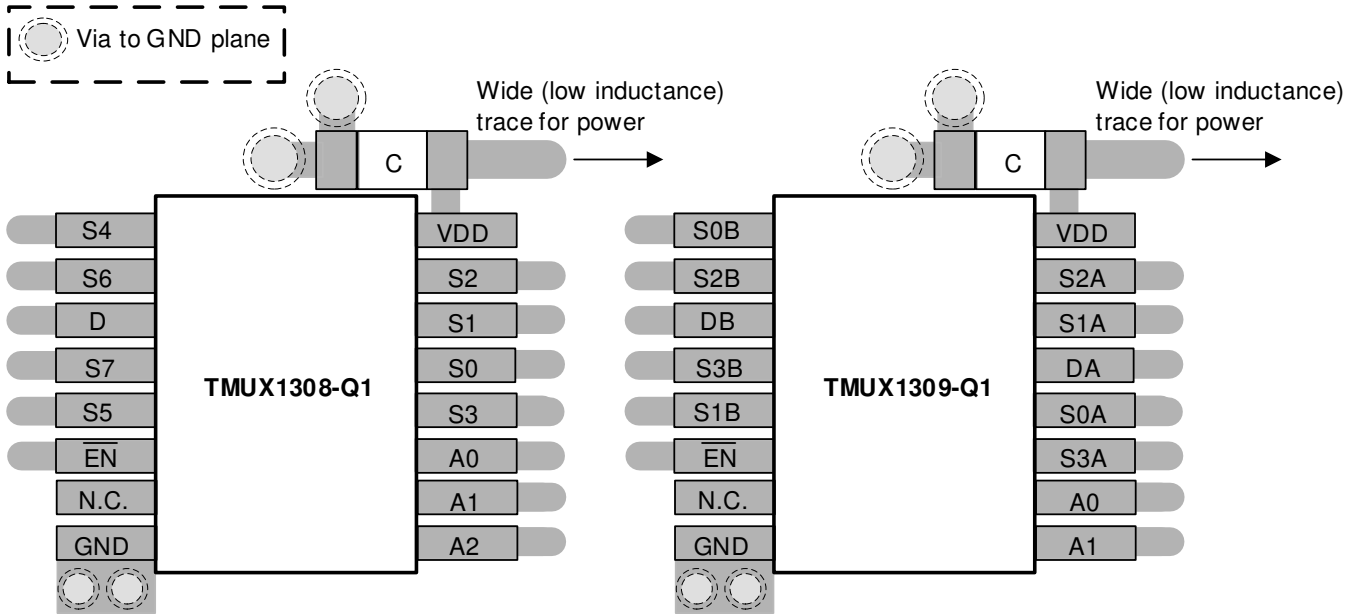
 **10-6. Trace Example**

Route high-speed signals using a minimum of vias and corners which reduces signal reflections and impedance changes. When a via must be used, increase the clearance size around it to minimize its capacitance. Each via introduces discontinuities in the signal's transmission line and increases the chance of picking up interference from the other layers of the board. Be careful when designing test points, through-hole pins are not recommended at high frequencies.

 **10-7** shows an example of a PCB layout with the TMUX1308-Q1 and TMUX1309-Q1. Some key considerations are as follows:

- Decouple the V_{DD} pin with a 0.1- μ F capacitor, placed as close to the pin as possible. Make sure that the capacitor voltage rating is sufficient for the V_{DD} supply.
- Keep the input lines as short as possible.
- Use a solid ground plane to help reduce electromagnetic interference (EMI) noise pickup.
- Do not run sensitive analog traces in parallel with digital traces. Avoid crossing digital and analog traces if possible, and only make perpendicular crossings when necessary.

10.4.2 Layout Example



 10-7. TMUX1308-Q1 and TMUX1309-Q1 Layout Example

11 Device and Documentation Support

11.1 Documentation Support

11.1.1 Related Documentation

For related documentation, see the following:

- Texas Instruments, [Simplifying Design with 1.8 V logic Muxes and Switches](#)
- Texas Instruments, [QFN/SON PCB Attachment](#)
- Texas Instruments, [Quad Flatpack No-Lead Logic Packages](#)

11.2 Receiving Notification of Documentation Updates

To receive notification of documentation updates, navigate to the device product folder on ti.com. In the upper right corner, click on *Alert me* to register and receive a weekly digest of any product information that has changed. For change details, review the revision history included in any revised document.

11.3 サポート・リソース

TI E2E™ サポート・フォーラムは、エンジニアが検証済みの回答と設計に関するヒントをエキスパートから迅速かつ直接得ることができる場所です。既存の回答を検索したり、独自の質問をしたりすることで、設計に必要な支援を迅速に得ることができます。

リンクされているコンテンツは、該当する貢献者により、現状のまま提供されるものです。これらは TI の仕様を構成するものではなく、必ずしも TI の見解を反映したものではありません。TI の [使用条件](#) を参照してください。

11.4 Trademarks

TI E2E™ is a trademark of Texas Instruments.

すべての商標は、それぞれの所有者に帰属します。

11.5 静電気放電に関する注意事項



この IC は、ESD によって破損する可能性があります。テキサス・インスツルメンツは、IC を取り扱う際には常に適切な注意を払うことを推奨します。正しい取り扱いおよび設置手順に従わない場合、デバイスを破損するおそれがあります。

ESD による破損は、わずかな性能低下からデバイスの完全な故障まで多岐にわたります。精密な IC の場合、パラメータがわずかに変化するだけで公表されている仕様から外れる可能性があるため、破損が発生しやすくなっています。

11.6 用語集

[テキサス・インスツルメンツ用語集](#) この用語集には、用語や略語の一覧および定義が記載されています。

12 Mechanical, Packaging, and Orderable Information

The following pages include mechanical, packaging, and orderable information. This information is the most current data available for the designated devices. This data is subject to change without notice and revision of this document. For browser-based versions of this data sheet, refer to the left-hand navigation.

PACKAGING INFORMATION

Orderable Device	Status (1)	Package Type	Package Drawing	Pins	Package Qty	Eco Plan (2)	Lead finish/ Ball material (6)	MSL Peak Temp (3)	Op Temp (°C)	Device Marking (4/5)	Samples
TMUX1308QBQBRQ1	ACTIVE	WQFN	BQB	16	3000	RoHS & Green	NIPDAU	Level-2-260C-1 YEAR	-40 to 125	1308Q	Samples
TMUX1308QDYRQ1	ACTIVE	SOT-23-THIN	DYY	16	3000	RoHS & Green	NIPDAU	Level-1-260C-UNLIM	-40 to 125	TMUX1308Q	Samples
TMUX1308QPWRQ1	ACTIVE	TSSOP	PW	16	2000	RoHS & Green	Call TI NIPDAU	Level-1-260C-UNLIM	-40 to 125	TM1308Q	Samples
TMUX1309QBQBRQ1	ACTIVE	WQFN	BQB	16	3000	RoHS & Green	NIPDAU	Level-2-260C-1 YEAR	-40 to 125	1309Q	Samples
TMUX1309QDYRQ1	ACTIVE	SOT-23-THIN	DYY	16	3000	RoHS & Green	NIPDAU	Level-1-260C-UNLIM	-40 to 125	TMUX1309Q	Samples
TMUX1309QPWRQ1	ACTIVE	TSSOP	PW	16	2000	RoHS & Green	NIPDAU	Level-1-260C-UNLIM	-40 to 125	TM1309Q	Samples

(1) The marketing status values are defined as follows:

ACTIVE: Product device recommended for new designs.

LIFEBUY: TI has announced that the device will be discontinued, and a lifetime-buy period is in effect.

NRND: Not recommended for new designs. Device is in production to support existing customers, but TI does not recommend using this part in a new design.

PREVIEW: Device has been announced but is not in production. Samples may or may not be available.

OBSOLETE: TI has discontinued the production of the device.

(2) **RoHS:** TI defines "RoHS" to mean semiconductor products that are compliant with the current EU RoHS requirements for all 10 RoHS substances, including the requirement that RoHS substance do not exceed 0.1% by weight in homogeneous materials. Where designed to be soldered at high temperatures, "RoHS" products are suitable for use in specified lead-free processes. TI may reference these types of products as "Pb-Free".

RoHS Exempt: TI defines "RoHS Exempt" to mean products that contain lead but are compliant with EU RoHS pursuant to a specific EU RoHS exemption.

Green: TI defines "Green" to mean the content of Chlorine (Cl) and Bromine (Br) based flame retardants meet JS709B low halogen requirements of <=1000ppm threshold. Antimony trioxide based flame retardants must also meet the <=1000ppm threshold requirement.

(3) MSL, Peak Temp. - The Moisture Sensitivity Level rating according to the JEDEC industry standard classifications, and peak solder temperature.

(4) There may be additional marking, which relates to the logo, the lot trace code information, or the environmental category on the device.

(5) Multiple Device Markings will be inside parentheses. Only one Device Marking contained in parentheses and separated by a "~" will appear on a device. If a line is indented then it is a continuation of the previous line and the two combined represent the entire Device Marking for that device.

(6) Lead finish/Ball material - Orderable Devices may have multiple material finish options. Finish options are separated by a vertical ruled line. Lead finish/Ball material values may wrap to two lines if the finish value exceeds the maximum column width.

Important Information and Disclaimer: The information provided on this page represents TI's knowledge and belief as of the date that it is provided. TI bases its knowledge and belief on information provided by third parties, and makes no representation or warranty as to the accuracy of such information. Efforts are underway to better integrate information from third parties. TI has taken and continues to take reasonable steps to provide representative and accurate information but may not have conducted destructive testing or chemical analysis on incoming materials and chemicals. TI and TI suppliers consider certain information to be proprietary, and thus CAS numbers and other limited information may not be available for release.

In no event shall TI's liability arising out of such information exceed the total purchase price of the TI part(s) at issue in this document sold by TI to Customer on an annual basis.

OTHER QUALIFIED VERSIONS OF TMUX1308-Q1, TMUX1309-Q1 :

- Catalog : [TMUX1308](#), [TMUX1309](#)

NOTE: Qualified Version Definitions:

- Catalog - TI's standard catalog product

TAPE AND REEL INFORMATION

QUADRANT ASSIGNMENTS FOR PIN 1 ORIENTATION IN TAPE


*All dimensions are nominal

Device	Package Type	Package Drawing	Pins	SPQ	Reel Diameter (mm)	Reel Width W1 (mm)	A0 (mm)	B0 (mm)	K0 (mm)	P1 (mm)	W (mm)	Pin1 Quadrant
TMUX1308QBQBRQ1	WQFN	BQB	16	3000	180.0	12.4	2.8	3.8	1.2	4.0	12.0	Q1
TMUX1308QDYRQ1	SOT-23-THIN	DYY	16	3000	330.0	12.4	4.8	3.6	1.6	8.0	12.0	Q3
TMUX1308QPWRQ1	TSSOP	PW	16	2000	330.0	12.4	6.9	5.6	1.6	8.0	12.0	Q1
TMUX1309QBQBRQ1	WQFN	BQB	16	3000	180.0	12.4	2.8	3.8	1.2	4.0	12.0	Q1
TMUX1309QDYRQ1	SOT-23-THIN	DYY	16	3000	330.0	12.4	4.8	3.6	1.6	8.0	12.0	Q3
TMUX1309QPWRQ1	TSSOP	PW	16	2000	330.0	12.4	6.9	5.6	1.6	8.0	12.0	Q1

TAPE AND REEL BOX DIMENSIONS


*All dimensions are nominal

Device	Package Type	Package Drawing	Pins	SPQ	Length (mm)	Width (mm)	Height (mm)
TMUX1308QBQRQ1	WQFN	BQB	16	3000	210.0	185.0	35.0
TMUX1308QDYRQ1	SOT-23-THIN	DYY	16	3000	336.6	336.6	31.8
TMUX1308QPWRQ1	TSSOP	PW	16	2000	353.0	353.0	32.0
TMUX1309QBQRQ1	WQFN	BQB	16	3000	210.0	185.0	35.0
TMUX1309QDYRQ1	SOT-23-THIN	DYY	16	3000	336.6	336.6	31.8
TMUX1309QPWRQ1	TSSOP	PW	16	2000	356.0	356.0	35.0



4220204/A 02/2017

NOTES:

1. All linear dimensions are in millimeters. Any dimensions in parenthesis are for reference only. Dimensioning and tolerancing per ASME Y14.5M.
2. This drawing is subject to change without notice.
3. This dimension does not include mold flash, protrusions, or gate burrs. Mold flash, protrusions, or gate burrs shall not exceed 0.15 mm per side.
4. This dimension does not include interlead flash. Interlead flash shall not exceed 0.25 mm per side.
5. Reference JEDEC registration MO-153.

EXAMPLE BOARD LAYOUT

PW0016A

TSSOP - 1.2 mm max height

SMALL OUTLINE PACKAGE



LAND PATTERN EXAMPLE
EXPOSED METAL SHOWN
SCALE: 10X



SOLDER MASK DETAILS

4220204/A 02/2017

NOTES: (continued)

- 6. Publication IPC-7351 may have alternate designs.
- 7. Solder mask tolerances between and around signal pads can vary based on board fabrication site.

EXAMPLE STENCIL DESIGN

PW0016A

TSSOP - 1.2 mm max height

SMALL OUTLINE PACKAGE



SOLDER PASTE EXAMPLE
BASED ON 0.125 mm THICK STENCIL
SCALE: 10X

4220204/A 02/2017

NOTES: (continued)

8. Laser cutting apertures with trapezoidal walls and rounded corners may offer better paste release. IPC-7525 may have alternate design recommendations.
9. Board assembly site may have different recommendations for stencil design.

GENERIC PACKAGE VIEW

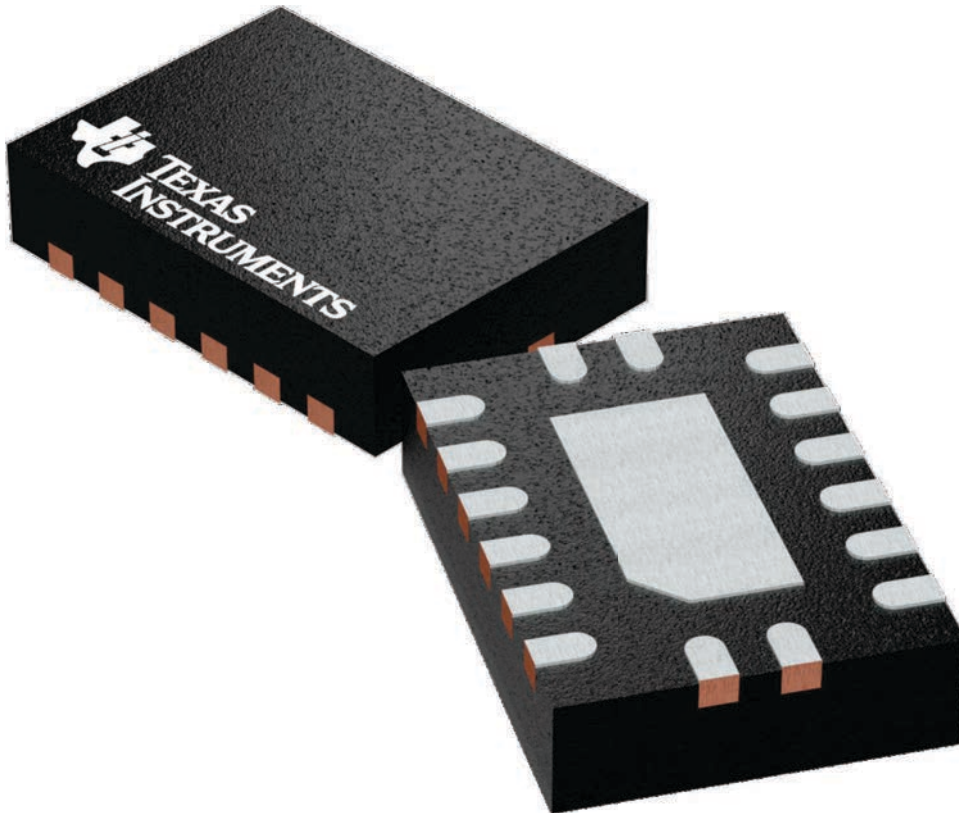
BQB 16

WQFN - 0.8 mm max height

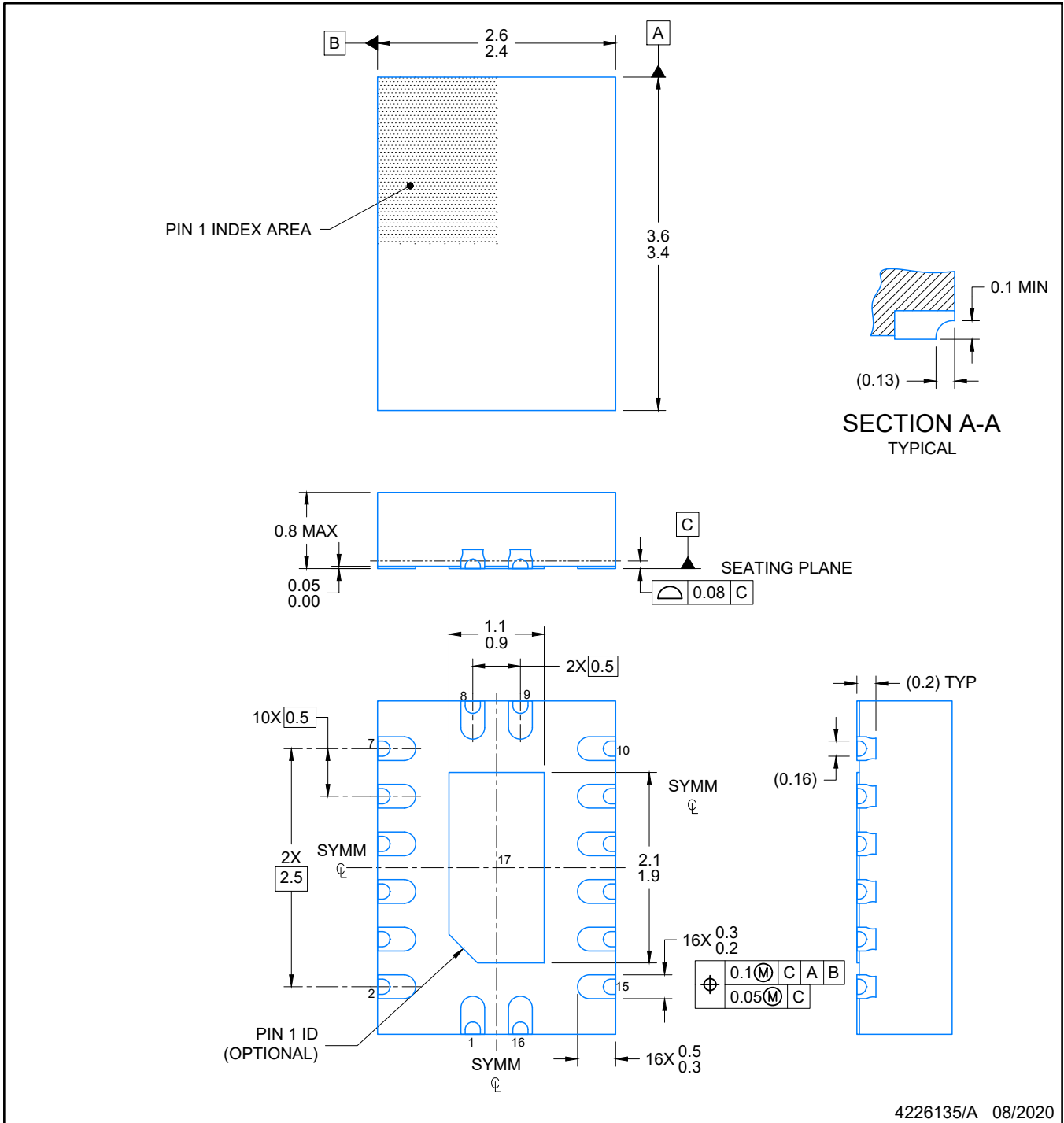
2.5 x 3.5, 0.5 mm pitch

PLASTIC QUAD FLATPACK - NO LEAD

This image is a representation of the package family, actual package may vary.
Refer to the product data sheet for package details.



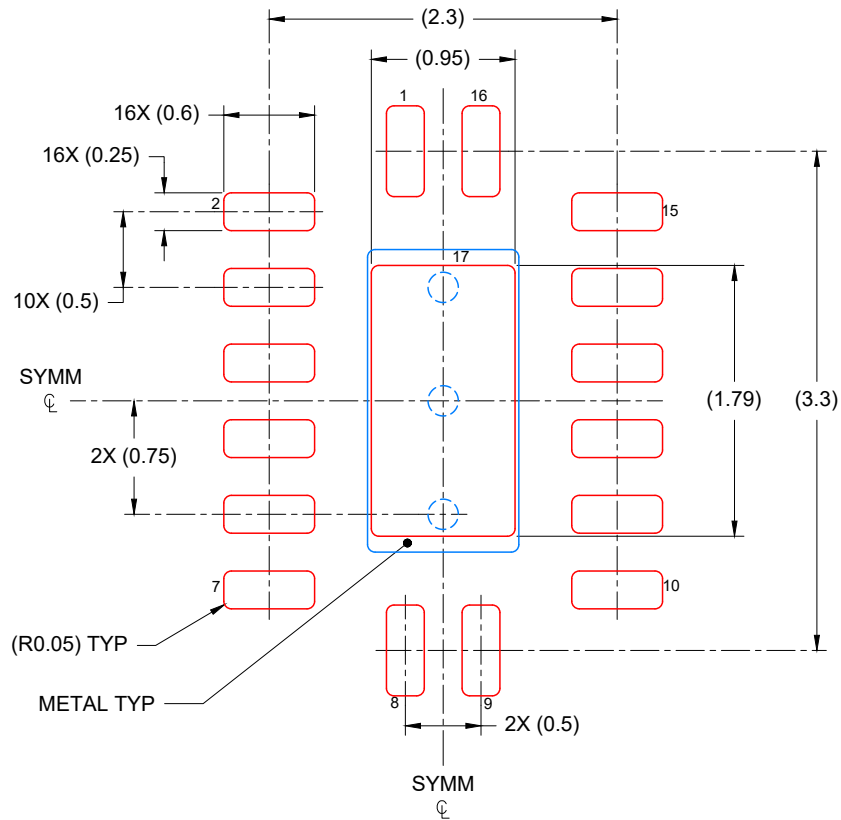
4226161/A



4226135/A 08/2020

NOTES:

1. All linear dimensions are in millimeters. Any dimensions in parenthesis are for reference only. Dimensioning and tolerancing per ASME Y14.5M.
2. This drawing is subject to change without notice.
3. The package thermal pad must be soldered to the printed circuit board for optimal thermal and mechanical performance.



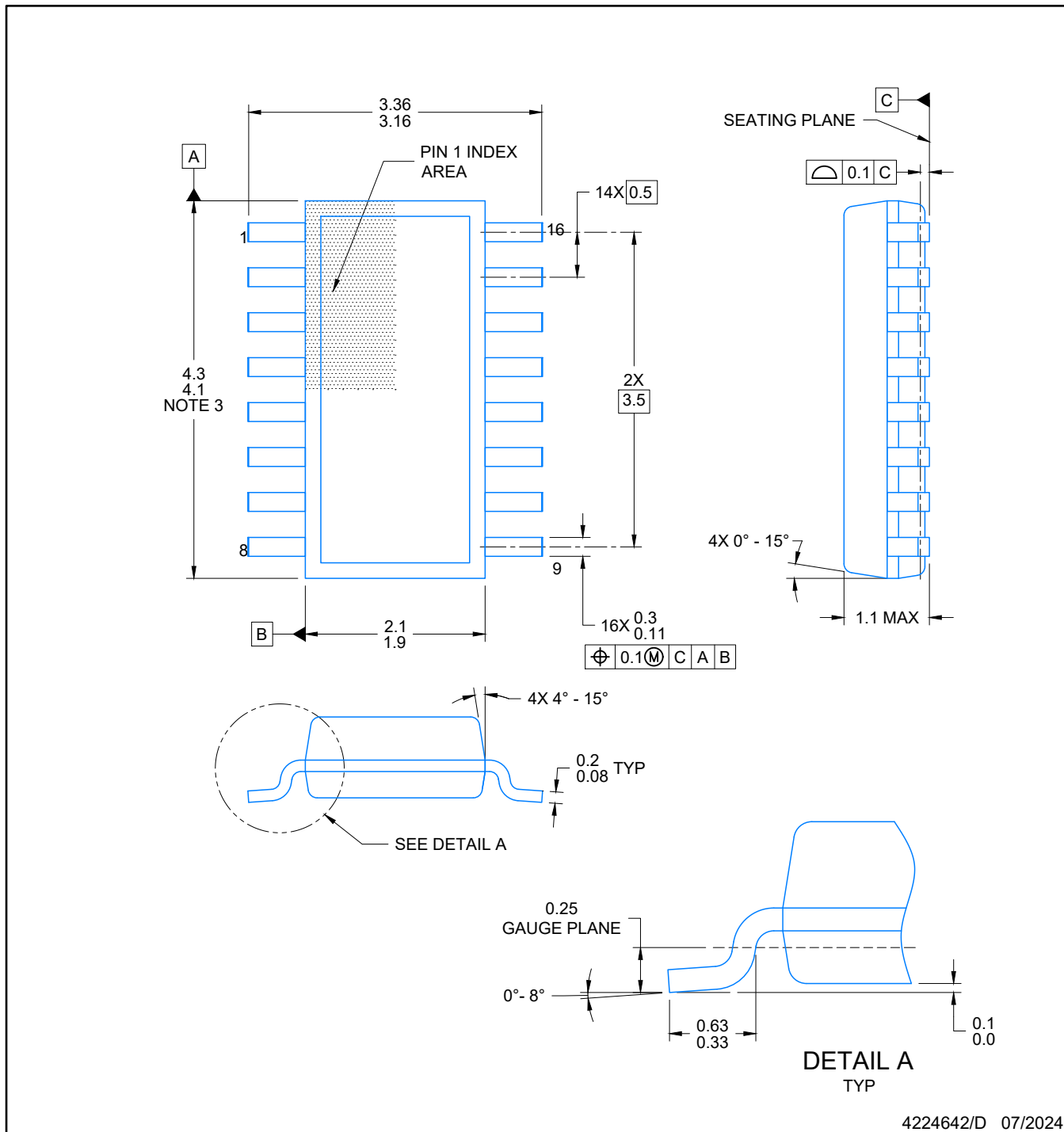
SOLDER PASTE EXAMPLE
 BASED ON 0.125 mm THICK STENCIL

EXPOSED PAD
 85% PRINTED COVERAGE BY AREA
 SCALE: 20X

4226135/A 08/2020

NOTES: (continued)

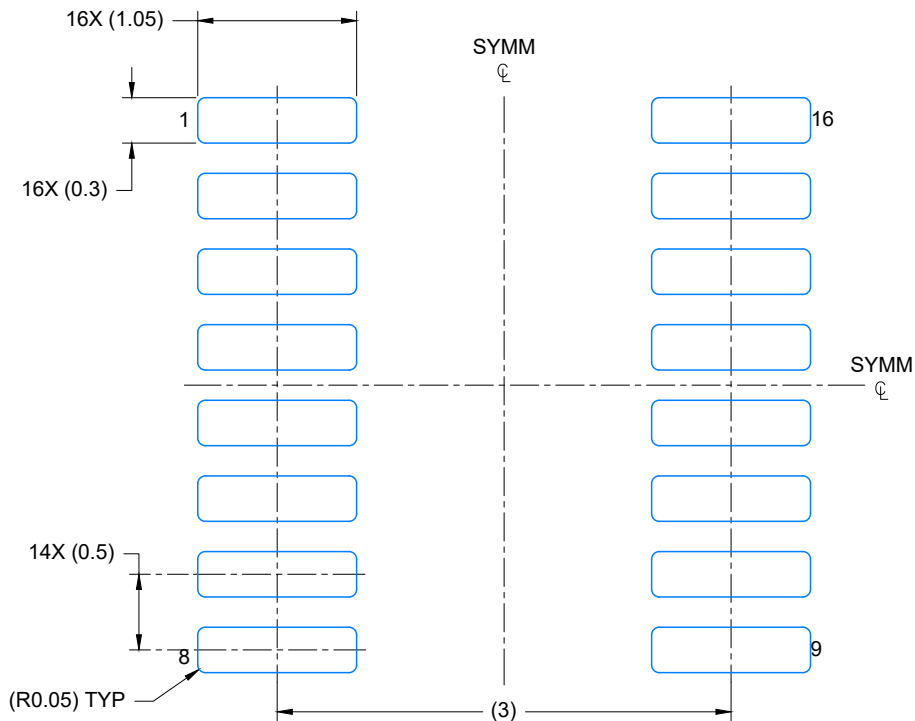
6. Laser cutting apertures with trapezoidal walls and rounded corners may offer better paste release. IPC-7525 may have alternate design recommendations.



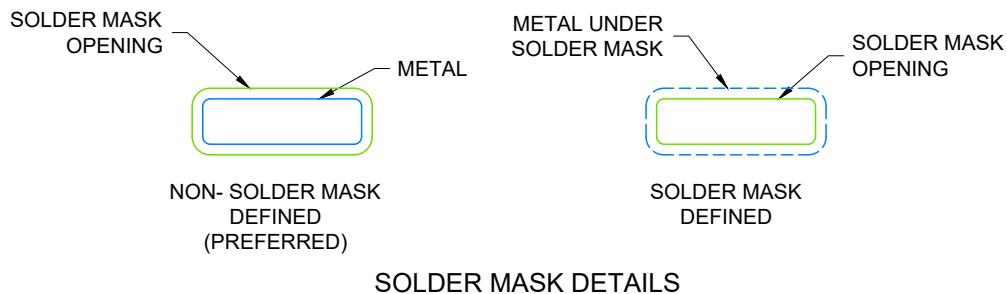
4224642/D 07/2024

NOTES:

1. All linear dimensions are in millimeters. Any dimensions in parenthesis are for reference only. Dimensioning and tolerancing per ASME Y14.5M.
2. This drawing is subject to change without notice.
3. This dimension does not include mold flash, protrusions, or gate burrs. Mold flash, protrusions, or gate burrs shall not exceed 0.15 per side.
4. This dimension does not include interlead flash. Interlead flash shall not exceed 0.50 per side.
5. Reference JEDEC Registration MO-345, Variation AA



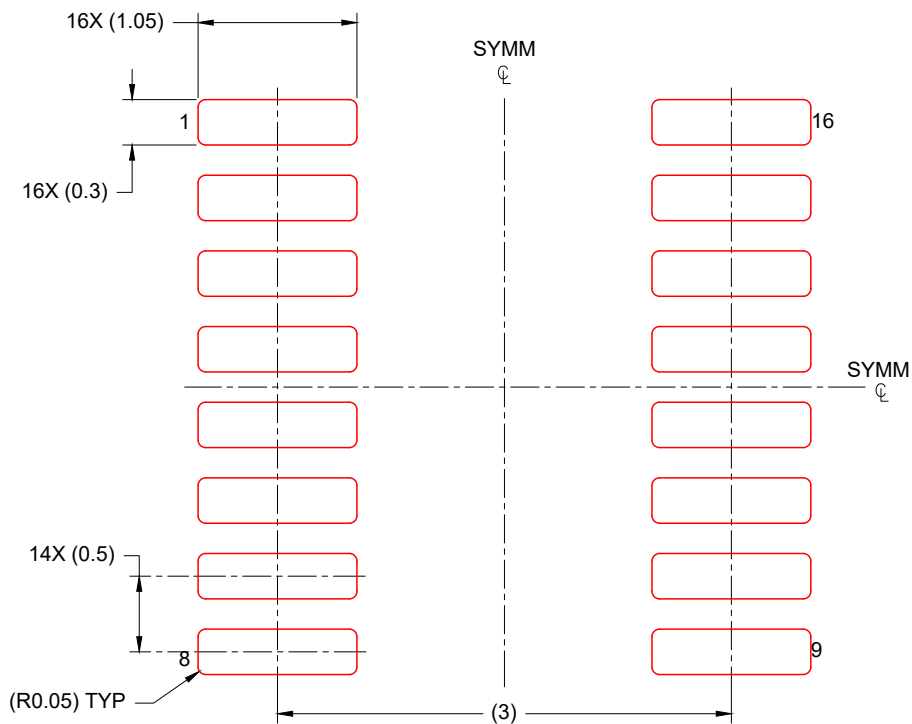
LAND PATTERN EXAMPLE
EXPOSED METAL SHOWN
SCALE: 20X



4224642/D 07/2024

NOTES: (continued)

- 6. Publication IPC-7351 may have alternate designs.
- 7. Solder mask tolerances between and around signal pads can vary based on board fabrication site.



SOLDER PASTE EXAMPLE
BASED ON 0.125 mm THICK STENCIL
SCALE: 20X

4224642/D 07/2024

NOTES: (continued)

- 8. Laser cutting apertures with trapezoidal walls and rounded corners may offer better paste release. IPC-7525 may have alternate design recommendations.
- 9. Board assembly site may have different recommendations for stencil design.

重要なお知らせと免責事項

TI は、技術データと信頼性データ(データシートを含みます)、設計リソース(リファレンス・デザインを含みます)、アプリケーションや設計に関する各種アドバイス、Web ツール、安全性情報、その他のリソースを、欠陥が存在する可能性のある「現状のまま」提供しており、商品性および特定目的に対する適合性の黙示保証、第三者の知的財産権の非侵害保証を含むいかなる保証も、明示的または黙示的にかかわらず拒否します。

これらのリソースは、TI 製品を使用する設計の経験を積んだ開発者への提供を意図したものです。(1) お客様のアプリケーションに適した TI 製品の選定、(2) お客様のアプリケーションの設計、検証、試験、(3) お客様のアプリケーションに該当する各種規格や、その他のあらゆる安全性、セキュリティ、規制、または他の要件への確実な適合に関する責任を、お客様のみが単独で負うものとし、

上記の各種リソースは、予告なく変更される可能性があります。これらのリソースは、リソースで説明されている TI 製品を使用するアプリケーションの開発の目的でのみ、TI はその使用をお客様に許諾します。これらのリソースに関して、他の目的で複製することや掲載することは禁止されています。TI や第三者の知的財産権のライセンスが付与されている訳ではありません。お客様は、これらのリソースを自身で使用した結果発生するあらゆる申し立て、損害、費用、損失、責任について、TI およびその代理人を完全に補償するものとし、TI は一切の責任を拒否します。

TI の製品は、[TI の販売条件](#)、または [ti.com](#) やかかる TI 製品の関連資料などのいずれかを通じて提供する適用可能な条項の下で提供されています。TI がこれらのリソースを提供することは、適用される TI の保証または他の保証の放棄の拡大や変更を意味するものではありません。

お客様がいかなる追加条項または代替条項を提案した場合でも、TI はそれらに異議を唱え、拒否します。

郵送先住所 : Texas Instruments, Post Office Box 655303, Dallas, Texas 75265
Copyright © 2024, Texas Instruments Incorporated