

# TMUX111x 5V、低リーク電流、1:1 (SPST)、4 チャンネル高精度スイッチ

## 1 特長

- 幅広い電源電圧範囲: 1.08V~5.5V
- 小さいリーク電流: 3pA
- 少ない電荷注入: -1.5pC
- 低いオン抵抗: 2Ω
- 40°C~+125°Cの動作温度範囲
- 1.8V ロジック互換
- フェイルセーフ ロジック
- レール ツー レールの動作
- 双方向の信号パス
- ブレイクビフォーメイクのスイッチング動作
- ESD 保護 (HBM): 2000V

## 2 アプリケーション

- サンプル アンド ホールド回路
- 帰還ゲイン スwitchング
- 信号絶縁
- フィールドトランスミッタ
- プログラマブル ロジック コントローラ (PLC)
- ファクトリ オートメーション / 制御
- 超音波スキャナ
- メディカル モニタと診断
- 心電図 (ECG)
- データ アクイジション システム (DAQ)
- ATE 試験装置
- バッテリー テスト機器
- 計測機器: ラボ、分析、ポータブル
- スマート メータ: 水道およびガス
- 光学ネットワーク機器
- 光学テスト機器

## 3 概要

TMUX1111、TMUX1112、TMUX1113 は、高精度の CMOS (相補型金属酸化膜半導体) デバイスで、4 つの 1:1 SPST (単極単投) スwitch を独立に選択可能です。1.08V~5.5V の広い電源電圧範囲で動作するため、医療機器から産業システムまで、幅広い用途に適しています。このデバイスは、ソース (Sx) およびドレイン (Dx) ピンで、GND から V<sub>DD</sub> までの範囲の双方向アナログおよびデジタル信号をサポートします。

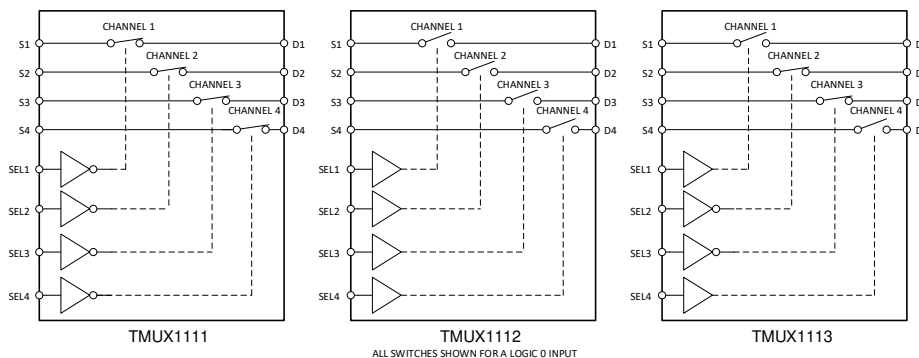
TMUX1111 のスswitch は、適切なロジック制御入力のロジック 0 でオンになります。TMUX1112 のスswitch は、ロジック 1 でオンになります。TMUX1113 の 4 つのチャンネルは、ロジック 0 に対応する 2 つのスswitch と、ロジック 1 に対応する 2 つのスswitch に分けられます。TMUX1113 は Break-Before-Make のスswitchングを行うため、クロスポイントのスswitchング アプリケーションに使用できます。

TMUX111x デバイスは、高精度スswitch およびマルチプレクサのファミリの製品です。これらのデバイスは、オンおよびオフ時のリーク電流が非常に小さく、電荷注入も少ないため、高精度の測定用途に使用できます。消費電流が 8nA と低く、小さいパッケージ オプションが存在するため、携帯型アプリケーションでも使用できます。

### 製品情報

部品番号 <sup>(1)</sup>	制御ロジック <sup>(1)</sup>	パッケージ <sup>(2)</sup>
TMUX1111	アクティブ LOW	PW (TSSOP, 16) RSV (UQFN, 16)
TMUX1112	アクティブ HIGH	
TMUX1113	混合あり	

- 製品比較表を参照してください。
- 詳細については、セクション 12 を参照してください。



TMUX111x ブロック図



## Table of Contents

1 特長.....	1	7.9 Bandwidth.....	21
2 アプリケーション.....	1	<b>8 Detailed Description.....</b>	<b>22</b>
3 概要.....	1	8.1 Overview.....	22
4 Device Comparison Table.....	2	8.2 Functional Block Diagram.....	22
5 Pin Configuration and Functions.....	3	8.3 Feature Description.....	22
6 Specifications.....	4	8.4 Device Functional Modes.....	24
6.1 Absolute Maximum Ratings.....	4	8.5 Truth Tables.....	24
6.2 ESD Ratings.....	4	<b>9 Application and Implementation.....</b>	<b>25</b>
6.3 Recommended Operating Conditions.....	4	9.1 Application Information.....	25
6.4 Thermal Information.....	5	9.2 Typical Application - Sample-and-Hold Circuit.....	25
6.5 Electrical Characteristics (V <sub>DD</sub> = 5V ±10 %).....	6	9.3 Typical Application - Switched Gain Amplifier.....	27
6.6 Electrical Characteristics (V <sub>DD</sub> = 3.3V ±10 %).....	8	9.4 Power Supply Recommendations.....	29
6.7 Electrical Characteristics (V <sub>DD</sub> = 1.8V ±10 %).....	10	9.5 Layout.....	29
6.8 Electrical Characteristics (V <sub>DD</sub> = 1.2V ±10 %).....	12	<b>10 Device and Documentation Support.....</b>	<b>31</b>
6.9 Typical Characteristics.....	14	10.1 Documentation Support.....	31
<b>7 Parameter Measurement Information.....</b>	<b>17</b>	10.2 ドキュメントの更新通知を受け取る方法.....	31
7.1 On-resistance.....	17	10.3 サポート・リソース.....	31
7.2 Off-leakage current.....	17	10.4 Trademarks.....	31
7.3 On-leakage current.....	18	10.5 静電気放電に関する注意事項.....	31
7.4 Transition time.....	18	10.6 用語集.....	31
7.5 Break-before-make.....	19	<b>11 Revision History.....</b>	<b>31</b>
7.6 Charge injection.....	19	<b>12 Mechanical, Packaging, and Orderable Information.....</b>	<b>32</b>
7.7 Off isolation.....	20		
7.8 Channel-to-Channel Crosstalk.....	20		

## 4 Device Comparison Table

PRODUCT	DESCRIPTION
TMUX1111	Low-Leakage-Current, Precision, 4-Channel, 1:1 (SPST) Switches (Normally Closed)
TMUX1112	Low-Leakage-Current, Precision, 4-Channel, 1:1 (SPST) Switches (Normally Open)
TMUX1113	Low-Leakage-Current, Precision, 4-Channel, 1:1 (SPST) Switches (Dual Open + Dual Closed)

## 5 Pin Configuration and Functions

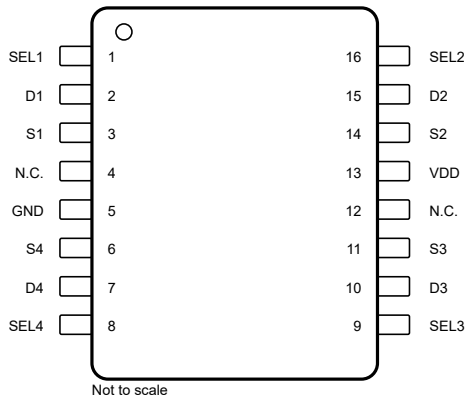


図 5-1. PW Package, 16-Pin TSSOP (Top View)

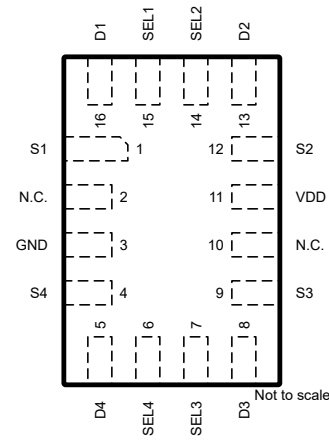


図 5-2. RSV Package, 16-Pin UQFN (Top View)

表 5-1. Pin Functions

NAME	PIN		TYPE <sup>(1)</sup>	DESCRIPTION
	TSSOP	UQFN		
SEL1	1	15	I	Logic control input 1. Controls channel 1 state as shown in <a href="#">セクション 8.5</a> .
D1	2	16	I/O	Drain pin 1. Can be an input or output.
S1	3	1	I/O	Source pin 1. Can be an input or output.
N.C.	4	2	—	No internal connection.
GND	5	3	P	Ground (0 V) reference
S4	6	4	I/O	Source pin 4. Can be an input or output.
D4	7	5	I/O	Drain pin 4. Can be an input or output.
SEL4	8	6	I	Logic control input 4. Controls channel 4 state as shown in <a href="#">セクション 8.5</a> .
SEL3	9	7	I	Logic control input 3. Controls channel 3 state as shown in <a href="#">セクション 8.5</a> .
D3	10	8	I/O	Drain pin 3. Can be an input or output.
S3	11	9	I/O	Source pin 3. Can be an input or output.
N.C.	12	10	—	No internal connection.
VDD	13	11	P	Positive power supply. This pin is the most positive power-supply potential. For reliable operation, connect a decoupling capacitor ranging from 0.1 μF to 10 μF between V <sub>DD</sub> and GND.
S2	14	12	I/O	Source pin 2. Can be an input or output.
D2	15	13	I/O	Drain pin 2. Can be an input or output.
SEL2	16	14	I	Logic control input 2. Controls channel 2 state as shown in <a href="#">セクション 8.5</a> .

(1) I = input, O = output, I/O = input and output, P = power

## 6 Specifications

### 6.1 Absolute Maximum Ratings

over operating free-air temperature range (unless otherwise noted) <sup>(1)</sup> <sup>(2)</sup> <sup>(3)</sup>

		MIN	MAX	UNIT
V <sub>DD</sub>	Supply voltage	-0.5	6	V
V <sub>SEL</sub>	Logic control input pin voltage (SELx)	-0.5	6	V
I <sub>SEL</sub>	Logic control input pin current (SELx)	-30	30	mA
V <sub>S</sub> or V <sub>D</sub>	Source or drain voltage (Sx, Dx)	-0.5	V <sub>DD</sub> +0.5	V
I <sub>S</sub> or I <sub>D</sub> (CONT)	Source or drain continuous current (Sx, Dx)	I <sub>DC</sub> ± 10 % <sup>(4)</sup>	I <sub>DC</sub> ± 10 % <sup>(4)</sup>	mA
I <sub>S</sub> or I <sub>D</sub> (PEAK)	Source and drain peak current: (1 ms period max, 10% duty cycle maximum) (Sx, D)	I <sub>peak</sub> ± 10 % <sup>(4)</sup>	I <sub>peak</sub> ± 10 % <sup>(4)</sup>	mA
T <sub>stg</sub>	Storage temperature	-65	150	°C
P <sub>tot</sub>	Total power dissipation <sup>(5)</sup> <sup>(6)</sup>		500	mW
T <sub>J</sub>	Junction temperature		150	°C

- (1) Stresses beyond those listed under *Absolute Maximum Rating* may cause permanent damage to the device. These are stress ratings only, which do not imply functional operation of the device at these or any other conditions beyond those indicated under *Recommended Operating Condition*. Exposure to absolute-maximum-rated conditions for extended periods may affect device reliability.
- (2) The algebraic convention, whereby the most negative value is a minimum and the most positive value is a maximum.
- (3) All voltages are with respect to ground, unless otherwise specified.
- (4) Refer to Recommended Operating Conditions for I<sub>DC</sub> and I<sub>peak</sub> ratings.
- (5) For PW package: P<sub>tot</sub> derates linearly above TA=88°C by 8.08mW/°C
- (6) For QFN package: P<sub>tot</sub> derates linearly above TA=76°C by 6.81mW/°C

### 6.2 ESD Ratings

			VALUE	UNIT
V <sub>(ESD)</sub>	Electrostatic discharge	Human body model (HBM), per ANSI/ESDA/JEDEC JS-001, all pins <sup>(1)</sup>	±2000	V
		Charged device model (CDM), per JEDEC specification JESD22-C101 or ANSI/ESDA/JEDEC JS-002, all pins <sup>(2)</sup>	±750	

- (1) JEDEC document JEP155 states that 500V HBM allows safe manufacturing with a standard ESD control process.
- (2) JEDEC document JEP157 states that 250V CDM allows safe manufacturing with a standard ESD control process.

### 6.3 Recommended Operating Conditions

over operating free-air temperature range (unless otherwise noted)

			MIN	NOM	MAX	UNIT
V <sub>DD</sub>	Positive power supply voltage		1.08		5.5	V
V <sub>S</sub> or V <sub>D</sub>	Signal path input/output voltage (source or drain pin) (Sx, Dx)		0		V <sub>DD</sub>	V
V <sub>SEL</sub>	Logic control input pin voltage (SELx)		0		5.5	V
T <sub>A</sub>	Ambient temperature		-40		125	°C
I <sub>DC</sub>	Continuous current through switch	T <sub>J</sub> = 25°C		150		mA
		T <sub>J</sub> = 85°C		120		mA
		T <sub>J</sub> = 125°C		60		mA
		T <sub>J</sub> = 130°C		50		mA
I <sub>peak</sub>	Peak current through switch(1 ms period max, 10% duty cycle maximum)	T <sub>J</sub> = 25°C		300		mA
		T <sub>J</sub> = 85°C		300		mA
		T <sub>J</sub> = 125°C		180		mA
		T <sub>J</sub> = 130°C		160		mA

## 6.4 Thermal Information

THERMAL METRIC <sup>(1)</sup>		TMUX1111 / TMUX1112 / TMUX1113		UNIT
		PW (TSSOP)	RSV (QFN)	
		16 PINS	16 PINS	
$R_{\theta JA}$	Junction-to-ambient thermal resistance	124.7	146.8	°C/W
$R_{\theta JC(top)}$	Junction-to-case (top) thermal resistance	54.8	83.5	°C/W
$R_{\theta JB}$	Junction-to-board thermal resistance	70.9	75.5	°C/W
$\Psi_{JT}$	Junction-to-top characterization parameter	10.8	9.0	°C/W
$\Psi_{JB}$	Junction-to-board characterization parameter	70.3	73.4	°C/W
$R_{\theta JC(bot)}$	Junction-to-case (bottom) thermal resistance	N/A	N/A	°C/W

(1) For more information about traditional and new thermal metrics, see the [Semiconductor and IC Package Thermal Metrics](#) application report.

## 6.5 Electrical Characteristics (V<sub>DD</sub> = 5V ±10 %)

at T<sub>A</sub> = 25°C, V<sub>DD</sub> = 5V (unless otherwise noted)

PARAMETER		TEST CONDITIONS	TA	MIN	TYP	MAX	UNIT
<b>ANALOG SWITCH</b>							
R <sub>ON</sub>	On-resistance	V <sub>S</sub> = 0V to V <sub>DD</sub> I <sub>SD</sub> = 10mA Refer to <a href="#">On-resistance</a>	25°C		2	4	Ω
			-40°C to +85°C			4.5	Ω
			-40°C to +125°C			4.9	Ω
ΔR <sub>ON</sub>	On-resistance matching between channels	V <sub>S</sub> = 0V to V <sub>DD</sub> I <sub>SD</sub> = 10mA Refer to <a href="#">On-resistance</a>	25°C		0.13		Ω
			-40°C to +85°C			0.4	Ω
			-40°C to +125°C			0.5	Ω
R <sub>ON</sub> FLAT	On-resistance flatness	V <sub>S</sub> = 0V to V <sub>DD</sub> I <sub>SD</sub> = 10mA Refer to <a href="#">On-resistance</a>	25°C		0.85		Ω
			-40°C to +85°C			1.6	Ω
			-40°C to +125°C			1.6	Ω
I <sub>S(OFF)</sub>	Source off leakage current <sup>(1)</sup>	V <sub>DD</sub> = 5V Switch Off V <sub>D</sub> = 4.5V / 1.5V V <sub>S</sub> = 1.5V / 4.5V Refer to <a href="#">Off-leakage current</a>	25°C	-0.08	±0.005	0.08	nA
			-40°C to +85°C		-0.3	0.3	nA
			-40°C to +125°C		-0.9	0.9	nA
I <sub>D(OFF)</sub>	Drain off leakage current <sup>(1)</sup>	V <sub>DD</sub> = 5V Switch Off V <sub>D</sub> = 4.5V / 1.5V V <sub>S</sub> = 1.5V / 4.5V Refer to <a href="#">Off-leakage current</a>	25°C	-0.08	±0.005	0.08	nA
			-40°C to +85°C		-0.3	0.3	nA
			-40°C to +125°C		-0.9	0.9	nA
I <sub>D(ON)</sub> I <sub>S(ON)</sub>	Channel on leakage current	V <sub>DD</sub> = 5V Switch On V <sub>D</sub> = V <sub>S</sub> = 2.5V Refer to <a href="#">On-leakage current</a>	25°C	-0.025	±0.003	0.025	nA
			-40°C to +85°C		-0.2	0.2	nA
			-40°C to +125°C		-0.95	0.95	nA
I <sub>D(ON)</sub> I <sub>S(ON)</sub>	Channel on leakage current	V <sub>DD</sub> = 5V Switch On V <sub>D</sub> = V <sub>S</sub> = 4.5V / 1.5V Refer to <a href="#">On-leakage current</a>	25°C	-0.1	±0.01	0.1	nA
			-40°C to +85°C		-0.35	0.35	nA
			-40°C to +125°C		-2	2	nA
<b>LOGIC INPUTS (SELx)</b>							
V <sub>IH</sub>	Input logic high		-40°C to +125°C	1.49		5.5	V
V <sub>IL</sub>	Input logic low		-40°C to +125°C	0		0.87	V
I <sub>IH</sub> I <sub>IL</sub>	Input leakage current		25°C		±0.005		μA
			-40°C to +125°C			±0.06	μA
C <sub>IN</sub>	Logic input capacitance		25°C		1		pF
C <sub>IN</sub>	Logic input capacitance		-40°C to +125°C			2	pF
<b>POWER SUPPLY</b>							
I <sub>DD</sub>	V <sub>DD</sub> supply current	Logic inputs = 0V or 5.5V	25°C		0.008		μA
			-40°C to +125°C			1	μA

## 6.5 Electrical Characteristics ( $V_{DD} = 5V \pm 10\%$ ) (続き)

at  $T_A = 25^\circ\text{C}$ ,  $V_{DD} = 5V$  (unless otherwise noted)

PARAMETER		TEST CONDITIONS	TA	MIN	TYP	MAX	UNIT
<b>DYNAMIC CHARACTERISTICS</b>							
$t_{\text{TRAN}}$	Transition time between channels	$V_S = 3V$ $R_L = 200\ \Omega$ , $C_L = 15\text{pF}$ Refer to <a href="#">Transition time</a>	25°C		12		ns
			-40°C to +85°C			18	ns
			-40°C to +125°C			19	ns
$t_{\text{OPEN}}$ (BBM)	Break before make time (TMUX1113 Only)	$V_S = 3V$ $R_L = 200\ \Omega$ , $C_L = 15\text{pF}$ Refer to <a href="#">Break-before-make</a>	25°C		8		ns
			-40°C to +85°C		1		ns
			-40°C to +125°C		1		ns
$Q_C$	Charge Injection	$V_S = 1V$ $R_S = 0\ \Omega$ , $C_L = 1\text{nF}$ Refer to <a href="#">Charge injection</a>	25°C		-1.5		pC
$O_{\text{ISO}}$	Off Isolation	$R_L = 50\ \Omega$ , $C_L = 5\text{pF}$ $f = 1\text{MHz}$ Refer to <a href="#">Off isolation</a>	25°C		-62		dB
		$R_L = 50\ \Omega$ , $C_L = 5\text{pF}$ $f = 10\text{MHz}$ Refer to <a href="#">Off isolation</a>	25°C		-40		dB
$X_{\text{TALK}}$	Crosstalk	$R_L = 50\ \Omega$ , $C_L = 5\text{pF}$ $f = 1\text{MHz}$ Refer to <a href="#">Channel-to Channel Crosstalk</a>	25°C		-100		dB
		$R_L = 50\ \Omega$ , $C_L = 5\text{pF}$ $f = 10\text{MHz}$ Refer to <a href="#">Channel-to Channel Crosstalk</a>	25°C		-90		dB
BW	Bandwidth	$R_L = 50\ \Omega$ , $C_L = 5\text{pF}$ Refer to <a href="#">Bandwidth</a>	25°C		300		MHz
$C_{\text{SOFF}}$	Source off capacitance	$f = 1\text{MHz}$	25°C		7		pF
$C_{\text{DOFF}}$	Drain off capacitance	$f = 1\text{MHz}$	25°C		10		pF
$C_{\text{SON}}$ $C_{\text{DON}}$	On capacitance	$f = 1\text{MHz}$	25°C		17		pF

(1) When  $V_S$  is 4.5V,  $V_D$  is 1.5V or when  $V_S$  is 1.5V,  $V_D$  is 4.5V.

## 6.6 Electrical Characteristics ( $V_{DD} = 3.3V \pm 10\%$ )

at  $T_A = 25^\circ C$ ,  $V_{DD} = 3.3V$  (unless otherwise noted)

PARAMETER		TEST CONDITIONS	TA	MIN	TYP	MAX	UNIT	
<b>ANALOG SWITCH</b>								
$R_{ON}$	On-resistance	$V_S = 0V$ to $V_{DD}$ $I_{SD} = 10mA$ Refer to <a href="#">On-resistance</a>	25°C		3.7	8.8	$\Omega$	
			-40°C to +85°C			9.5	$\Omega$	
			-40°C to +125°C			9.8	$\Omega$	
$\Delta R_{ON}$	On-resistance matching between channels	$V_S = 0V$ to $V_{DD}$ $I_{SD} = 10mA$ Refer to <a href="#">On-resistance</a>	25°C		0.13		$\Omega$	
			-40°C to +85°C			0.4	$\Omega$	
			-40°C to +125°C			0.5	$\Omega$	
$R_{ON}$ FLAT	On-resistance flatness	$V_S = 0V$ to $V_{DD}$ $I_{SD} = 10mA$ Refer to <a href="#">On-resistance</a>	25°C		1.9		$\Omega$	
			-40°C to +85°C			2	$\Omega$	
			-40°C to +125°C			2.2	$\Omega$	
$I_{S(OFF)}$	Source off leakage current <sup>(1)</sup>	$V_{DD} = 3.3V$ Switch Off $V_D = 3V / 1V$ $V_S = 1V / 3V$ Refer to <a href="#">Off-leakage current</a>	25°C	-0.05	$\pm 0.001$	0.05	nA	
			-40°C to +85°C		-0.2		0.2	nA
			-40°C to +125°C		-0.9		0.9	nA
$I_{D(OFF)}$	Drain off leakage current <sup>(1)</sup>	$V_{DD} = 3.3V$ Switch Off $V_D = 3V / 1V$ $V_S = 1V / 3V$ Refer to <a href="#">Off-leakage current</a>	25°C	-0.05	$\pm 0.001$	0.05	nA	
			-40°C to +85°C		-0.2		0.2	nA
			-40°C to +125°C		-0.9		0.9	nA
$I_{D(ON)}$ $I_{S(ON)}$	Channel on leakage current	$V_{DD} = 3.3V$ Switch On $V_D = V_S = 3V / 1V$ Refer to <a href="#">On-leakage current</a>	25°C	-0.1	$\pm 0.005$	0.1	nA	
			-40°C to +85°C		-0.35		0.35	nA
			-40°C to +125°C		-2		2	nA
<b>LOGIC INPUTS (SELx)</b>								
$V_{IH}$	Input logic high		-40°C to +125°C	1.35		5.5	V	
$V_{IL}$	Input logic low		-40°C to +125°C	0		0.8	V	
$I_{IH}$ $I_{IL}$	Input leakage current		25°C		$\pm 0.005$		$\mu A$	
$I_{IH}$ $I_{IL}$	Input leakage current		-40°C to +125°C			$\pm 0.05$	$\mu A$	
$C_{IN}$	Logic input capacitance		25°C		1		pF	
$C_{IN}$	Logic input capacitance		-40°C to +125°C			2	pF	
<b>POWER SUPPLY</b>								
$I_{DD}$	$V_{DD}$ supply current	Logic inputs = 0V or 5.5V	25°C		0.005		$\mu A$	
			-40°C to +125°C			1	$\mu A$	



## 6.6 Electrical Characteristics ( $V_{DD} = 3.3V \pm 10\%$ ) (続き)

at  $T_A = 25^\circ\text{C}$ ,  $V_{DD} = 3.3V$  (unless otherwise noted)

PARAMETER		TEST CONDITIONS	TA	MIN	TYP	MAX	UNIT
<b>DYNAMIC CHARACTERISTICS</b>							
$t_{\text{TRAN}}$	Transition time between channels	$V_S = 2V$ $R_L = 200\ \Omega$ , $C_L = 15\text{pF}$ Refer to <a href="#">Transition time</a>	25°C		14		ns
			-40°C to +85°C			20	ns
			-40°C to +125°C			22	ns
$t_{\text{OPEN}}$ (BBM)	Break before make time (TMUX1113 Only)	$V_S = 2V$ $R_L = 200\ \Omega$ , $C_L = 15\text{pF}$ Refer to <a href="#">Break-before-make</a>	25°C		9		ns
			-40°C to +85°C		1		ns
			-40°C to +125°C		1		ns
$Q_C$	Charge Injection	$V_S = 1V$ $R_S = 0\ \Omega$ , $C_L = 1\text{nF}$ Refer to <a href="#">Charge injection</a>	25°C		-1.5		pC
$O_{\text{ISO}}$	Off Isolation	$R_L = 50\ \Omega$ , $C_L = 5\text{pF}$ $f = 1\text{MHz}$ Refer to <a href="#">Off isolation</a>	25°C		-62		dB
		$R_L = 50\ \Omega$ , $C_L = 5\text{pF}$ $f = 10\text{MHz}$ Refer to <a href="#">Off Isolation</a>	25°C		-40		dB
$X_{\text{TALK}}$	Crosstalk	$R_L = 50\ \Omega$ , $C_L = 5\text{pF}$ $f = 1\text{MHz}$ Refer to <a href="#">Channel-to-Channel Crosstalk</a>	25°C		-100		dB
		$R_L = 50\ \Omega$ , $C_L = 5\text{pF}$ $f = 10\text{MHz}$ Refer to <a href="#">Channel-to-Channel Crosstalk</a>	25°C		-90		dB
BW	Bandwidth	$R_L = 50\ \Omega$ , $C_L = 5\text{pF}$ Refer to <a href="#">Bandwidth</a>	25°C		300		MHz
$C_{\text{SOFF}}$	Source off capacitance	$f = 1\text{MHz}$	25°C		7		pF
$C_{\text{DOFF}}$	Drain off capacitance	$f = 1\text{MHz}$	25°C		10		pF
$C_{\text{SON}}$ $C_{\text{DON}}$	On capacitance	$f = 1\text{MHz}$	25°C		17		pF

(1) When  $V_S$  is 3V,  $V_D$  is 1V or when  $V_S$  is 1V,  $V_D$  is 3V.

## 6.7 Electrical Characteristics ( $V_{DD} = 1.8V \pm 10\%$ )

at  $T_A = 25^\circ C$ ,  $V_{DD} = 1.8V$  (unless otherwise noted)

PARAMETER		TEST CONDITIONS	TA	MIN	TYP	MAX	UNIT	
<b>ANALOG SWITCH</b>								
$R_{ON}$	On-resistance	$V_S = 0V$ to $V_{DD}$ $I_{SD} = 10mA$ Refer to <a href="#">On-resistance</a>	25°C		40		$\Omega$	
			-40°C to +85°C			80	$\Omega$	
			-40°C to +125°C			80	$\Omega$	
$\Delta R_{ON}$	On-resistance matching between channels	$V_S = 0V$ to $V_{DD}$ $I_{SD} = 10mA$ Refer to <a href="#">On-resistance</a>	25°C		0.4		$\Omega$	
			-40°C to +85°C			1.5	$\Omega$	
			-40°C to +125°C			1.5	$\Omega$	
$I_{S(OFF)}$	Source off leakage current <sup>(1)</sup>	$V_{DD} = 1.98V$ Switch Off $V_D = 1.62V / 1V$ $V_S = 1V / 1.62V$ Refer to <a href="#">Off-leakage current</a>	25°C	-0.05	$\pm 0.001$	0.05	nA	
			-40°C to +85°C		-0.2		0.2	nA
			-40°C to +125°C		-0.9		0.9	nA
$I_{D(OFF)}$	Drain off leakage current <sup>(1)</sup>	$V_{DD} = 1.98V$ Switch Off $V_D = 1.62V / 1V$ $V_S = 1V / 1.62V$ Refer to <a href="#">Off-leakage current</a>	25°C	-0.05	$\pm 0.001$	0.05	nA	
			-40°C to +85°C		-0.2		0.2	nA
			-40°C to +125°C		-0.9		0.9	nA
$I_{D(ON)}$ $I_{S(ON)}$	Channel on leakage current	$V_{DD} = 1.98V$ Switch On $V_D = V_S = 1.62V / 1V$ Refer to <a href="#">On-leakage current</a>	25°C	-0.1	$\pm 0.005$	0.1	nA	
			-40°C to +85°C		-0.35		0.35	nA
			-40°C to +125°C		-2		2	nA
<b>LOGIC INPUTS (SELx)</b>								
$V_{IH}$	Input logic high		-40°C to +125°C	1.07		5.5	V	
$V_{IL}$	Input logic low		-40°C to +125°C	0		0.68	V	
$I_{IH}$ $I_{IL}$	Input leakage current		25°C		$\pm 0.005$		$\mu A$	
$I_{IH}$ $I_{IL}$	Input leakage current		-40°C to +125°C			$\pm 0.05$	$\mu A$	
$C_{IN}$	Logic input capacitance		25°C		1		pF	
$C_{IN}$	Logic input capacitance		-40°C to +125°C			2	pF	
<b>POWER SUPPLY</b>								
$I_{DD}$	$V_{DD}$ supply current	Logic inputs = 0V or 5.5V	25°C		0.001		$\mu A$	
			-40°C to +125°C			0.85	$\mu A$	

## 6.7 Electrical Characteristics ( $V_{DD} = 1.8V \pm 10\%$ ) (続き)

at  $T_A = 25^\circ\text{C}$ ,  $V_{DD} = 1.8V$  (unless otherwise noted)

PARAMETER		TEST CONDITIONS	TA	MIN	TYP	MAX	UNIT
<b>DYNAMIC CHARACTERISTICS</b>							
$t_{\text{TRAN}}$	Transition time between channels	$V_S = 1V$ $R_L = 200\ \Omega$ , $C_L = 15\text{pF}$ Refer to <a href="#">Transition time</a>	25°C		25		ns
			-40°C to +85°C			44	ns
			-40°C to +125°C			44	ns
$t_{\text{OPEN}}$ (BBM)	Break before make time (TMUX1113 Only)	$V_S = 1V$ $R_L = 200\ \Omega$ , $C_L = 15\text{pF}$ Refer to <a href="#">Break-before-make</a>	25°C		17		ns
			-40°C to +85°C		1		ns
			-40°C to +125°C		1		ns
$Q_C$	Charge Injection	$V_S = 1V$ $R_S = 0\ \Omega$ , $C_L = 1\text{nF}$ Refer to <a href="#">Charge injection</a>	25°C		-0.5		pC
$O_{\text{ISO}}$	Off Isolation	$R_L = 50\ \Omega$ , $C_L = 5\text{pF}$ $f = 1\text{MHz}$ Refer to <a href="#">Off isolation</a>	25°C		-62		dB
		$R_L = 50\ \Omega$ , $C_L = 5\text{pF}$ $f = 10\text{MHz}$ Refer to <a href="#">Off isolation</a>	25°C		-40		dB
$X_{\text{TALK}}$	Crosstalk	$R_L = 50\ \Omega$ , $C_L = 5\text{pF}$ $f = 1\text{MHz}$ Refer to <a href="#">Channel-to-Channel Crosstalk</a>	25°C		-100		dB
		$R_L = 50\ \Omega$ , $C_L = 5\text{pF}$ $f = 10\text{MHz}$ Refer to <a href="#">Channel-to-Channel Crosstalk</a>	25°C		-90		dB
BW	Bandwidth	$R_L = 50\ \Omega$ , $C_L = 5\text{pF}$ Refer to <a href="#">Bandwidth</a>	25°C		300		MHz
$C_{\text{SOFF}}$	Source off capacitance	$f = 1\text{MHz}$	25°C		7		pF
$C_{\text{DOFF}}$	Drain off capacitance	$f = 1\text{MHz}$	25°C		10		pF
$C_{\text{SON}}$ $C_{\text{DON}}$	On capacitance	$f = 1\text{MHz}$	25°C		17		pF

(1) When  $V_S$  is 1.62V,  $V_D$  is 1V or when  $V_S$  is 1V,  $V_D$  is 1.62V.

### 6.8 Electrical Characteristics ( $V_{DD} = 1.2V \pm 10\%$ )

PARAMETER		TEST CONDITIONS	TA	MIN	TYP	MAX	UNIT	
<b>ANALOG SWITCH</b>								
R <sub>ON</sub>	On-resistance	V <sub>S</sub> = 0V to V <sub>DD</sub> I <sub>SD</sub> = 10mA Refer to <a href="#">On-resistance</a>	25°C	70			Ω	
			-40°C to +85°C			105	Ω	
			-40°C to +125°C			105	Ω	
ΔR <sub>ON</sub>	On-resistance matching between channels	V <sub>S</sub> = 0V to V <sub>DD</sub> I <sub>SD</sub> = 10mA Refer to <a href="#">On-resistance</a>	25°C	0.4			Ω	
			-40°C to +85°C			1.5	Ω	
			-40°C to +125°C			1.5	Ω	
I <sub>S(OFF)</sub>	Source off leakage current <sup>(1)</sup>	V <sub>DD</sub> = 1.32V Switch Off V <sub>D</sub> = 1V / 0.8V V <sub>S</sub> = 0.8V / 1V Refer to <a href="#">Off-leakage current</a>	25°C	-0.05	±0.001	0.05	nA	
			-40°C to +85°C		-0.2		0.2	nA
			-40°C to +125°C		-0.9		0.9	nA
I <sub>D(OFF)</sub>	Drain off leakage current <sup>(1)</sup>	V <sub>DD</sub> = 1.32V Switch Off V <sub>D</sub> = 1V / 0.8V V <sub>S</sub> = 0.8V / 1V Refer to <a href="#">Off-leakage current</a>	25°C	-0.05	±0.001	0.05	nA	
			-40°C to +85°C		-0.2		0.2	nA
			-40°C to +125°C		-0.9		0.9	nA
I <sub>D(ON)</sub> I <sub>S(ON)</sub>	Channel on leakage current	V <sub>DD</sub> = 1.32V Switch On V <sub>D</sub> = V <sub>S</sub> = 1V / 0.8V Refer to <a href="#">On-leakage current</a>	25°C	-0.1	±0.005	0.1	nA	
			-40°C to +85°C		-0.35		0.35	nA
			-40°C to +125°C		-2		2	nA
<b>LOGIC INPUTS (SELx)</b>								
V <sub>IH</sub>	Input logic high		-40°C to +125°C	0.96		5.5	V	
V <sub>IL</sub>	Input logic low		-40°C to +125°C	0		0.36	V	
I <sub>IH</sub> I <sub>IL</sub>	Input leakage current		25°C	±0.005			μA	
			-40°C to +125°C			±0.05	μA	
C <sub>IN</sub>	Logic input capacitance		25°C	1			pF	
C <sub>IN</sub>	Logic input capacitance		-40°C to +125°C			2	pF	
<b>POWER SUPPLY</b>								
I <sub>DD</sub>	V <sub>DD</sub> supply current	Logic inputs = 0V or 5.5V	25°C	0.001			μA	
			-40°C to +125°C			0.7	μA	

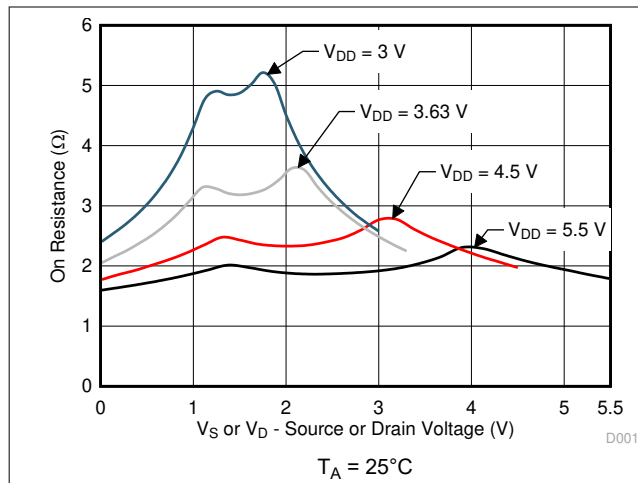
## 6.8 Electrical Characteristics ( $V_{DD} = 1.2V \pm 10\%$ ) (続き)

PARAMETER		TEST CONDITIONS	TA	MIN	TYP	MAX	UNIT
<b>DYNAMIC CHARACTERISTICS</b>							
$t_{TRAN}$	Transition time between channels	$V_S = 1V$ $R_L = 200\ \Omega$ , $C_L = 15pF$ Refer to <a href="#">Transition time</a>	25°C		55		ns
			-40°C to +85°C			190	ns
			-40°C to +125°C			190	ns
$t_{OPEN}$ (BBM)	Break before make time (TMUX1113 Only)	$V_S = 1V$ $R_L = 200\ \Omega$ , $C_L = 15pF$ Refer to <a href="#">Break-before-make</a>	25°C		28		ns
			-40°C to +85°C		1		ns
			-40°C to +125°C		1		ns
$Q_C$	Charge Injection	$V_S = 1V$ $R_S = 0\ \Omega$ , $C_L = 1nF$ Refer to <a href="#">Charge injection</a>	25°C		-0.5		pC
$O_{ISO}$	Off Isolation	$R_L = 50\ \Omega$ , $C_L = 5pF$ $f = 1MHz$ Refer to <a href="#">Off isolation</a>	25°C		-62		dB
		$R_L = 50\ \Omega$ , $C_L = 5pF$ $f = 10MHz$ Refer to <a href="#">Off isolation</a>	25°C		-40		dB
$X_{TALK}$	Crosstalk	$R_L = 50\ \Omega$ , $C_L = 5pF$ $f = 1MHz$ Refer to <a href="#">Channel-to-Channel Crosstalk</a>	25°C		-100		dB
		$R_L = 50\ \Omega$ , $C_L = 5pF$ $f = 10MHz$ Refer to <a href="#">Channel-to-Channel Crosstalk</a>	25°C		-90		dB
BW	Bandwidth	$R_L = 50\ \Omega$ , $C_L = 5pF$ Refer to <a href="#">Bandwidth</a>	25°C		300		MHz
$C_{SOFF}$	Source off capacitance	$f = 1MHz$	25°C		8		pF
$C_{DOFF}$	Drain off capacitance	$f = 1MHz$	25°C		11		pF
$C_{SON}$ $C_{DON}$	On capacitance	$f = 1MHz$	25°C		18		pF

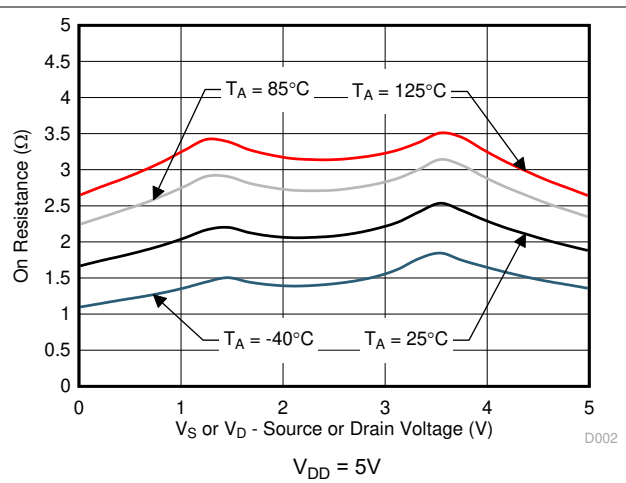
(1) When  $V_S$  is 1V,  $V_D$  is 0.8V or when  $V_S$  is 0.8V,  $V_D$  is 1V.

## 6.9 Typical Characteristics

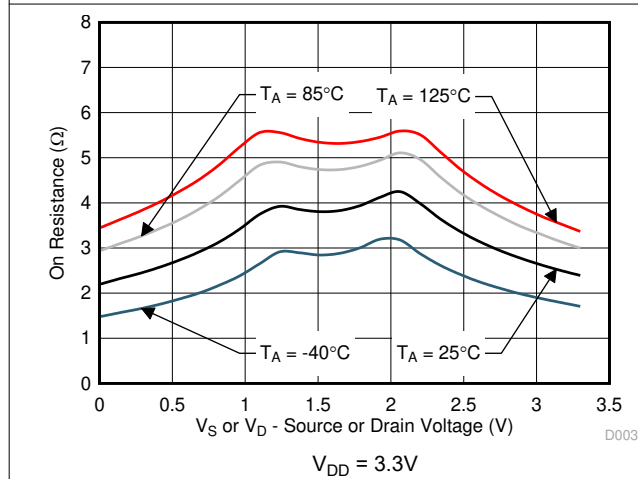
at  $T_A = 25^\circ\text{C}$ ,  $V_{DD} = 5\text{V}$  (unless otherwise noted)



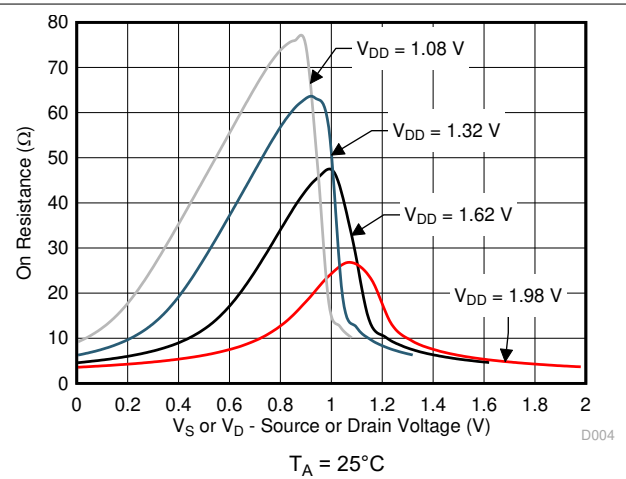
6-1. On-Resistance vs Source or Drain Voltage



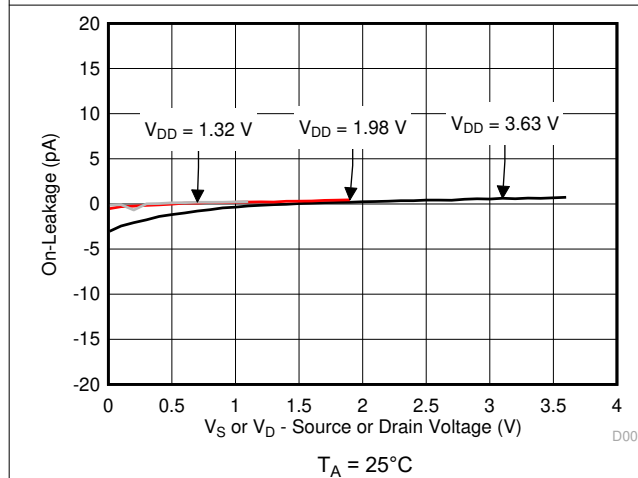
6-2. On-Resistance vs Temperature



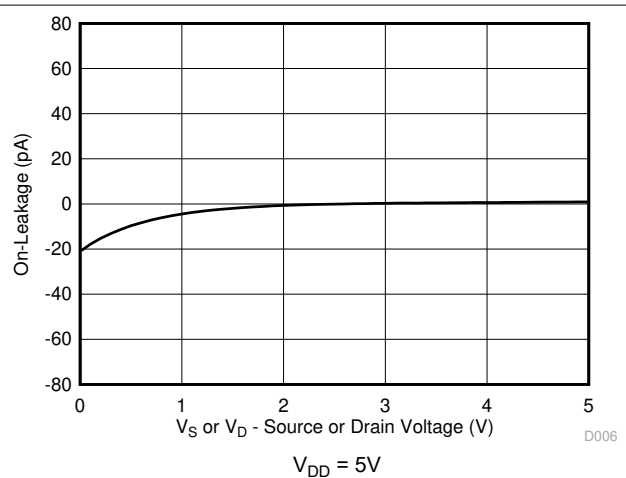
6-3. On-Resistance vs Temperature



6-4. On-Resistance vs Source or Drain Voltage



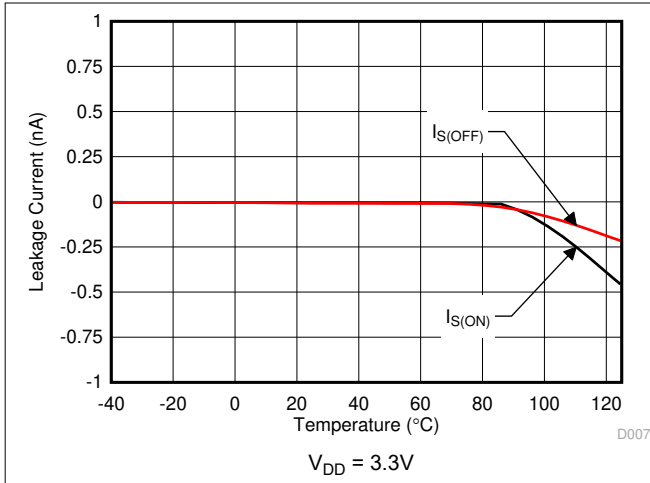
6-5. On-Leakage vs Source or Drain Voltage



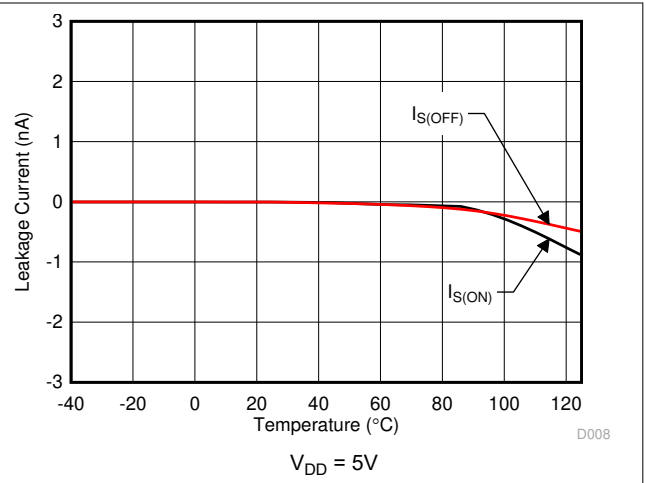
6-6. On-Leakage vs Source or Drain Voltage

### 6.9 Typical Characteristics (continued)

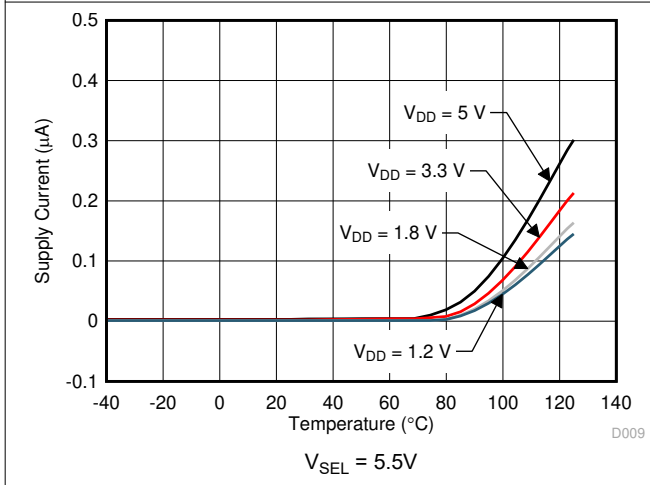
at  $T_A = 25^\circ\text{C}$ ,  $V_{DD} = 5\text{V}$  (unless otherwise noted)



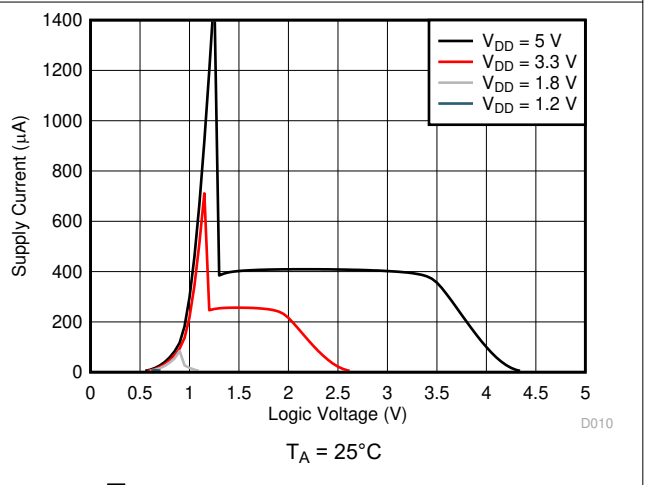
6-7. Leakage Current vs Temperature



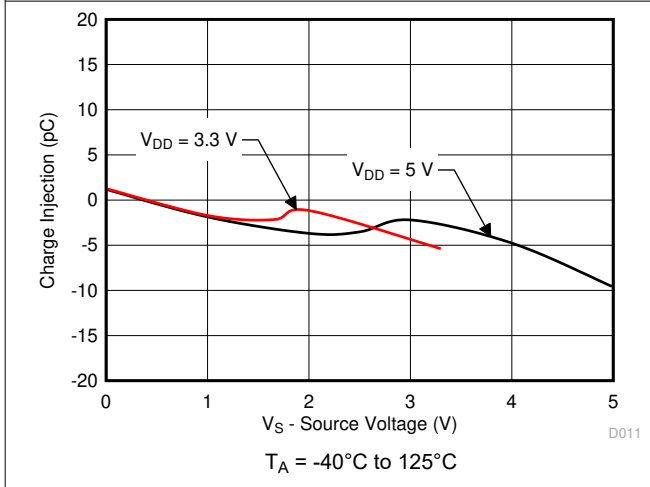
6-8. Leakage Current vs Temperature



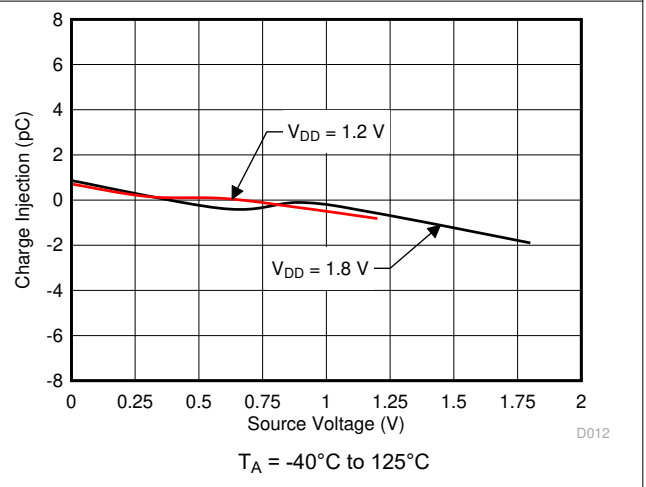
6-9. Supply Current vs Temperature



6-10. Supply Current vs Logic Voltage



6-11. Charge Injection vs Source Voltage



6-12. Charge Injection vs Source Voltage

### 6.9 Typical Characteristics (continued)

at  $T_A = 25^\circ\text{C}$ ,  $V_{DD} = 5\text{V}$  (unless otherwise noted)

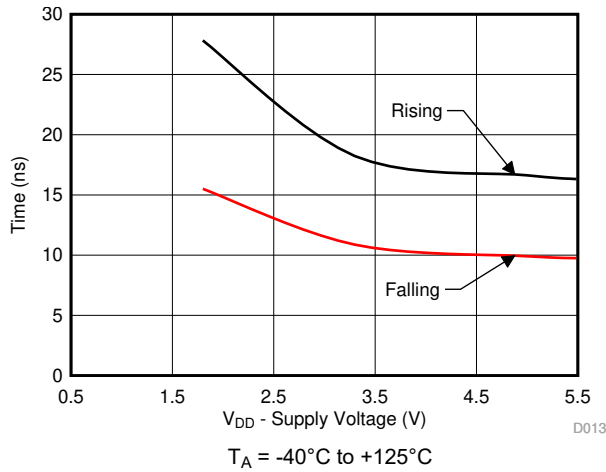


图 6-13. Output  $T_{\text{TRANSITION}}$  vs Supply Voltage

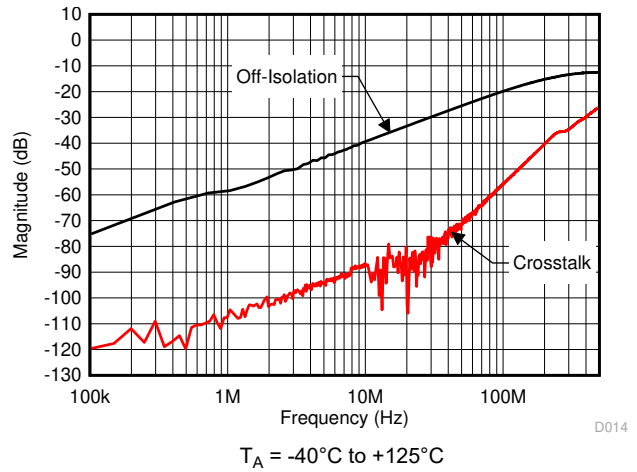


图 6-14. Xtalk and Off-Isolation vs Frequency

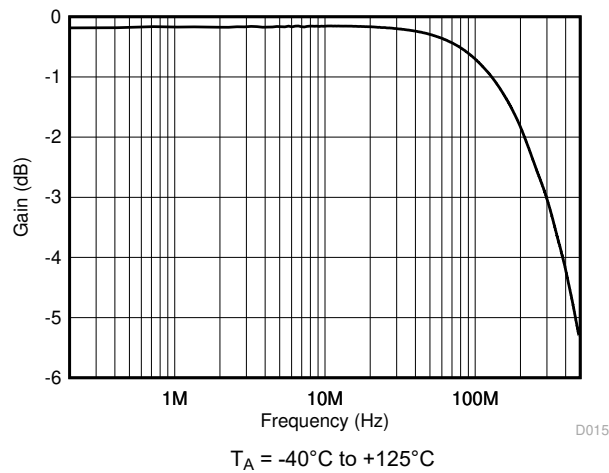


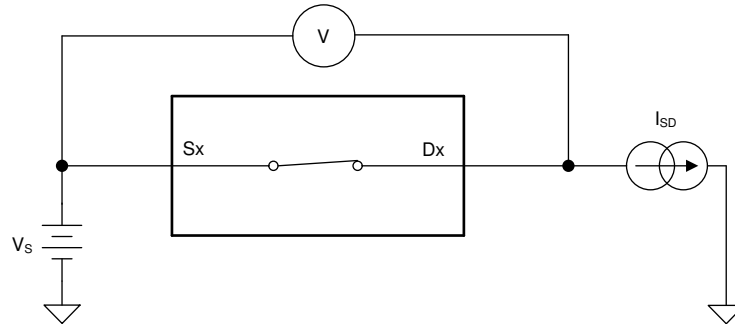
图 6-15. On Response vs Frequency



## 7 Parameter Measurement Information

### 7.1 On-resistance

The on-resistance of a device is the ohmic resistance between the source (Sx) and drain (Dx) pins of the device. The on-resistance varies with input voltage and supply voltage. The symbol  $R_{ON}$  is used to denote on-resistance. The measurement setup used to measure  $R_{ON}$  is shown in 7-1. Voltage (V) and current ( $I_{SD}$ ) are measured using this setup, and  $R_{ON}$  is computed with  $R_{ON} = V / I_{SD}$ :



7-1. On-Resistance Measurement Setup

### 7.2 Off-leakage current

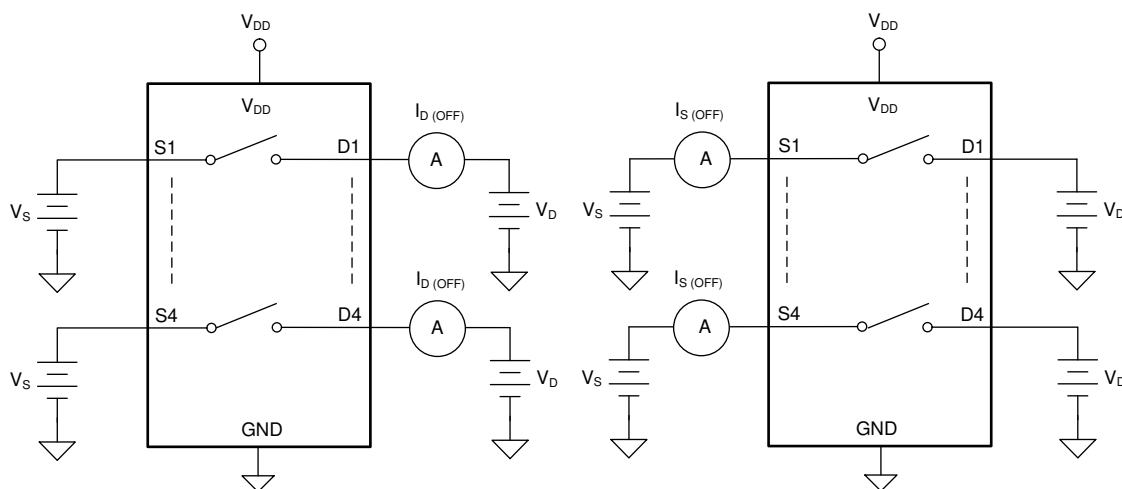
There are two types of leakage currents associated with a switch during the off state:

1. Source off-leakage current
2. Drain off-leakage current

Source leakage current is defined as the leakage current flowing into or out of the source pin when the switch is off. This current is denoted by the symbol  $I_{S(OFF)}$ .

Drain leakage current is defined as the leakage current flowing into or out of the drain pin when the switch is off. This current is denoted by the symbol  $I_{D(OFF)}$ .

The setup used to measure both off-leakage currents is shown in 7-2.




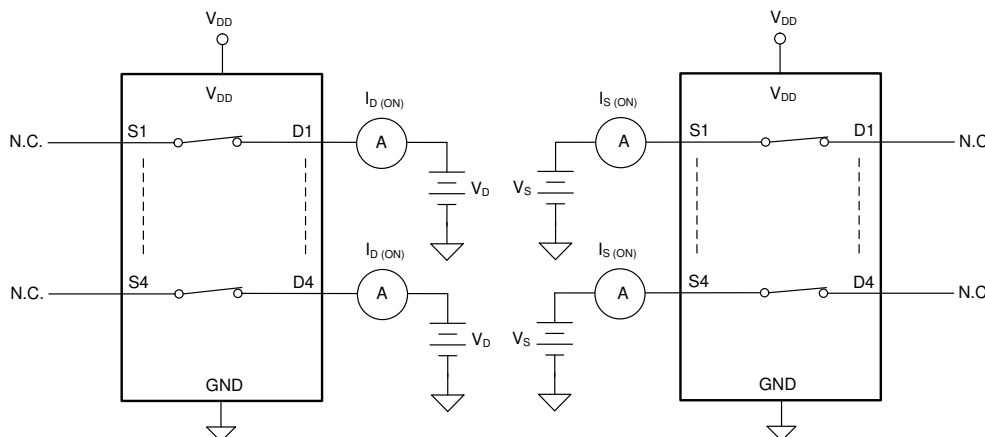
7-2. Off-Leakage Measurement Setup

### 7.3 On-leakage current

Source on-leakage current is defined as the leakage current flowing into or out of the source pin when the switch is on. This current is denoted by the symbol  $I_{S(ON)}$ .

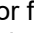
Drain on-leakage current is defined as the leakage current flowing into or out of the drain pin when the switch is on. This current is denoted by the symbol  $I_{D(ON)}$ .

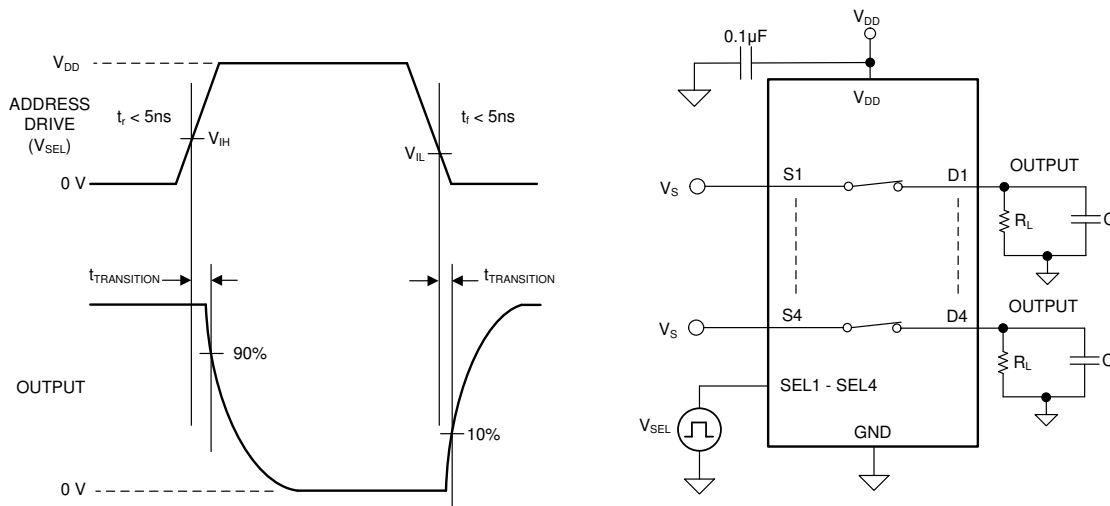
Either the source pin or drain pin is left floating during the measurement.  7-3 shows the circuit used for measuring the on-leakage current, denoted by  $I_{S(ON)}$  or  $I_{D(ON)}$ .



 7-3. On-Leakage Measurement Setup

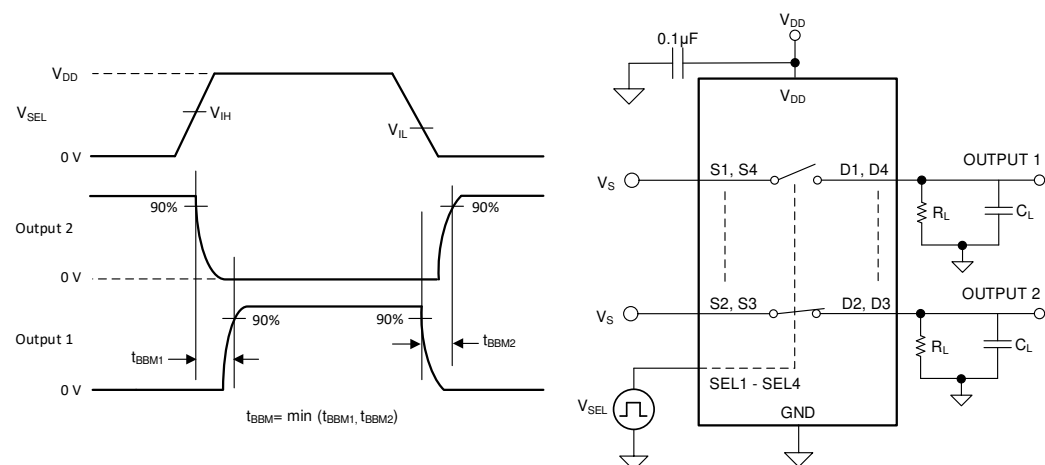
### 7.4 Transition time

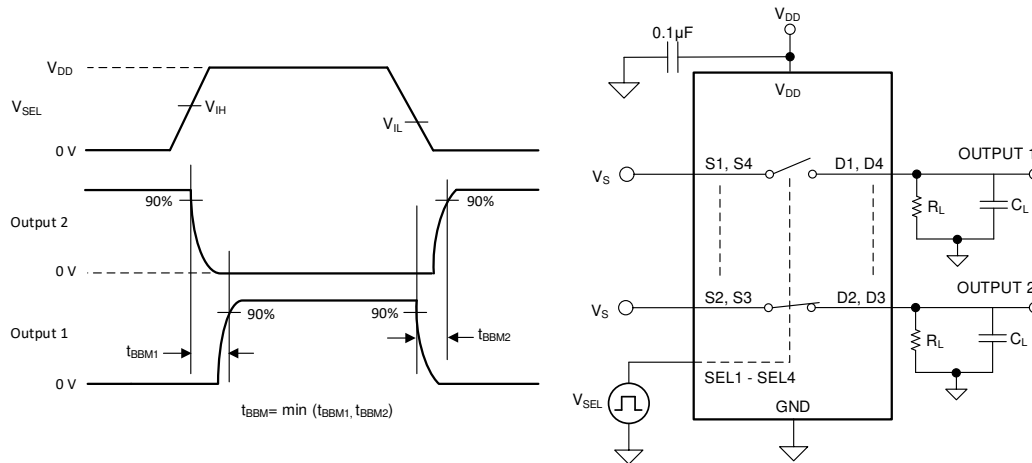
Transition time is defined as the time taken by the output of the device to rise or fall 10% after the address signal has risen or fallen past the logic threshold. The 10% transition measurement is utilized to provide the timing of the device. System level timing can then account for the time constant added from the load resistance and load capacitance.  7-4 shows the setup used to measure transition time, denoted by the symbol  $t_{\text{TRANSITION}}$ .



 7-4. Transition-Time Measurement Setup

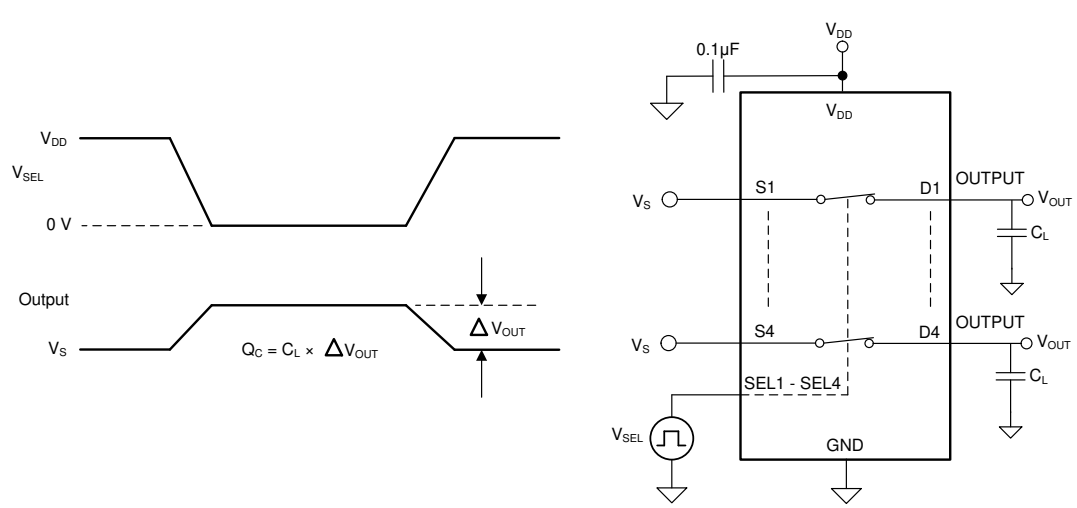
## 7.5 Break-before-make

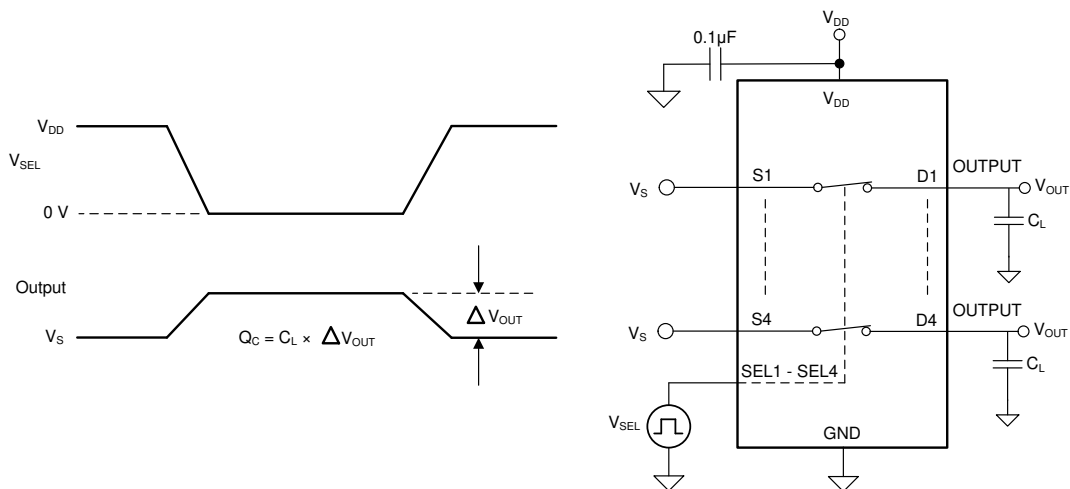
The TMUX1113 has break-before-make delay which allows the device to be used in cross-point switching application. The output first breaks from the on-state switch before making the connection with the next on-state switch. The time delay between the *break* and the *make* is known as break-before-make delay.  7-5 shows the setup used to measure break-before-make delay, denoted by the symbol  $t_{\text{OPEN(BBM)}}$ .



 7-5. Break-Before-Make Delay Measurement Setup

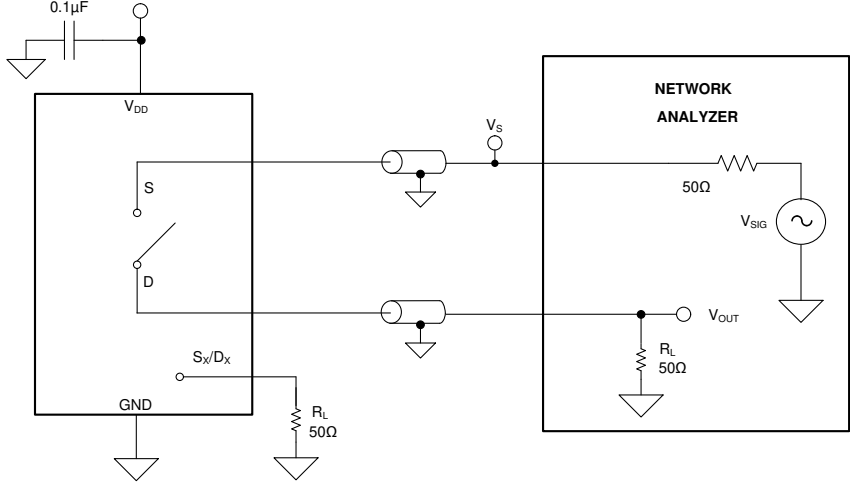
## 7.6 Charge injection

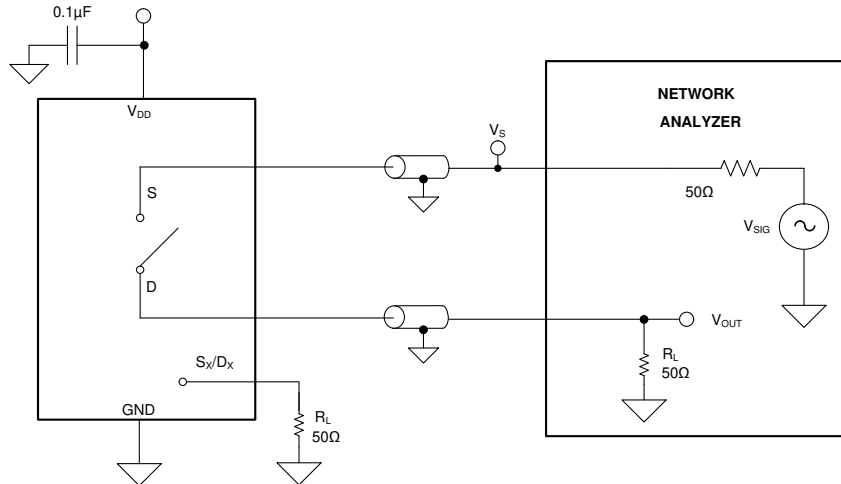
The TMUX111x devices have a transmission-gate topology. Any mismatch in capacitance between the NMOS and PMOS transistors results in a charge injected into the drain or source during the falling or rising edge of the gate signal. The amount of charge injected into the source or drain of the device is known as charge injection, and is denoted by the symbol  $Q_C$ .  7-6 shows the setup used to measure charge injection from source ( $S_x$ ) to drain ( $D_x$ ).



 7-6. Charge-Injection Measurement Setup

## 7.7 Off isolation

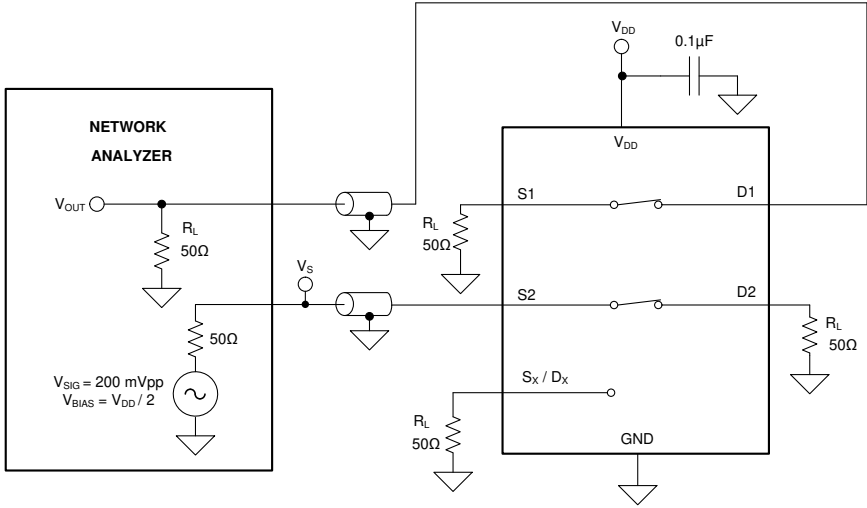
Off isolation is defined as the ratio of the signal at the drain pin (Dx) of the device when a signal is applied to the source pin (Sx) of an off-channel. The characteristic impedance,  $Z_0$ , for the measurement is 50Ω.  shows the setup used to measure off isolation. Use off isolation equation to compute off isolation.

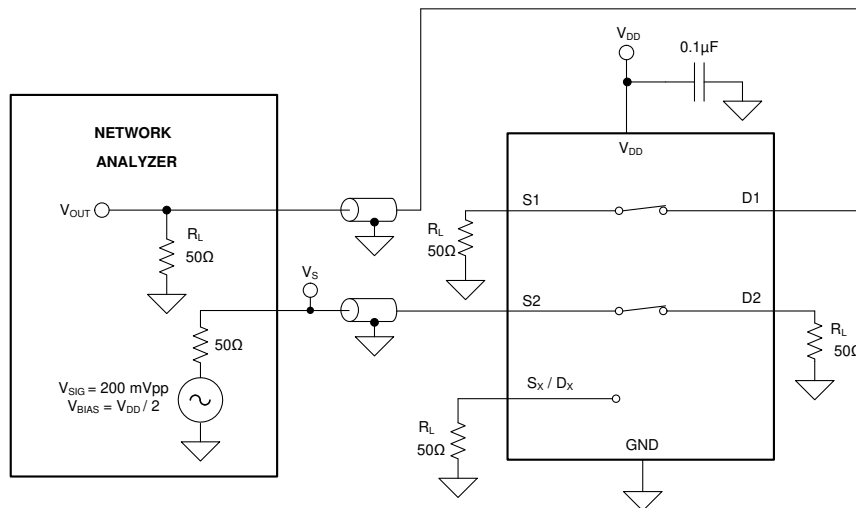


 7-7. Off Isolation Measurement Setup

$$\text{Off Isolation} = 20 \cdot \text{Log} \left( \frac{V_{\text{OUT}}}{V_{\text{S}}} \right) \quad (1)$$

## 7.8 Channel-to-Channel Crosstalk


Crosstalk is defined as the ratio of the signal at the drain pin (Dx) of a different channel, when a signal is applied at the source pin (Sx) of an on-channel. The characteristic impedance,  $Z_0$ , for the measurement is 50Ω.  shows the setup used to measure, and the equation used to compute crosstalk.

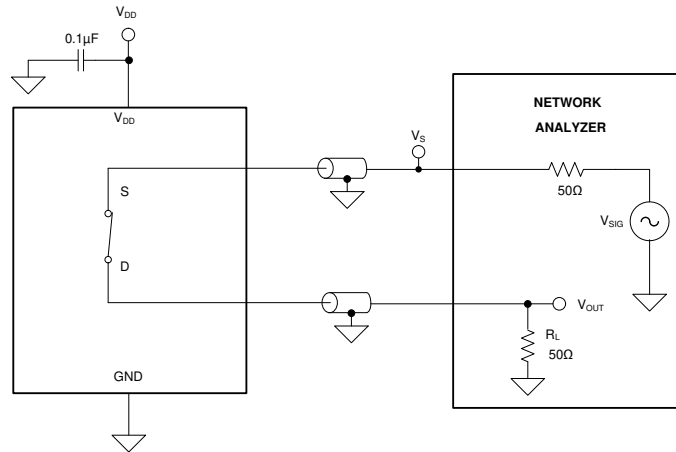


 7-8. Channel-to-Channel Crosstalk Measurement Setup

$$\text{Channel-to-Channel Crosstalk} = 20 \cdot \text{Log} \left( \frac{V_{\text{OUT}}}{V_{\text{S}}} \right) \quad (2)$$

## 7.9 Bandwidth

Bandwidth is defined as the range of frequencies that are attenuated by less than 3dB when the input is applied to the source pin (Sx) of an on-channel, and the output is measured at the drain pin (Dx) of the device. The characteristic impedance,  $Z_0$ , for the measurement is 50Ω.  7-9 shows the setup used to measure bandwidth.



 7-9. Bandwidth measurement setup

## 8 Detailed Description

### 8.1 Overview

The TMUX1111, TMUX1112, and TMUX1113 are 1:1 (SPST), 4-Channel switches. The devices have four independently selectable single-pole, single-throw switches that are turned-on or turned-off based on the state of the corresponding select pin.

### 8.2 Functional Block Diagram

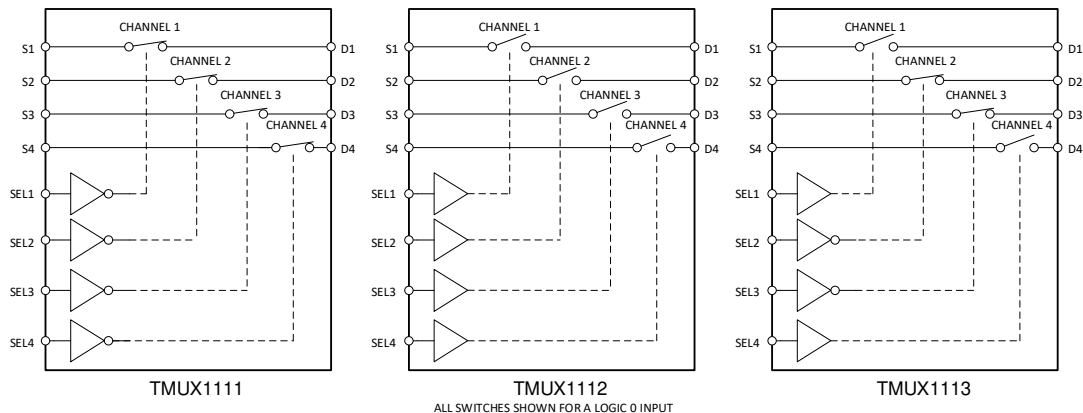


图 8-1. TMUX111x Functional Block Diagram

### 8.3 Feature Description

#### 8.3.1 Bidirectional operation

The TMUX111x conducts equally well from source (Sx) to drain (Dx) or from drain (Dx) to source (Sx). Each channel has very similar characteristics in both directions and supports both analog and digital signals.

#### 8.3.2 Rail to rail operation

The valid signal path input/output voltage for TMUX111x ranges from GND to  $V_{DD}$ .

#### 8.3.3 1.8V Logic compatible inputs


The TMUX111x devices have 1.8V logic compatible control for all logic control inputs. The logic input thresholds scale with supply but still provide 1.8V logic control when operating at 5.5V supply voltage. 1.8V logic level inputs allows the TMUX111x devices to interface with processors that have lower logic I/O rails and eliminates the need for an external translator, which saves both space and BOM cost. The current consumption of the TMUX111x devices increase when using 1.8V logic with higher supply voltage as shown in 图 6-10. For more information on 1.8V logic implementations refer to [Simplifying Design with 1.8V logic Muxes and Switches](#)

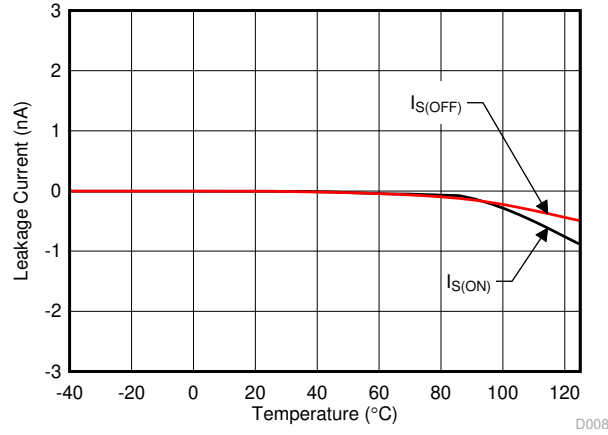
#### 8.3.4 Fail-safe logic

The TMUX111x supports Fail-Safe Logic on the control input pins (EN, A0, A1) allowing for operation up to 5.5V, regardless of the state of the supply pin. This feature allows voltages on the control pins to be applied before the supply pin, protecting the device from potential damage. Fail-Safe Logic minimizes system complexity by removing the need for power supply sequencing on the logic control pins. For example, the Fail-Safe Logic feature allows the select pins of the TMUX111x to be ramped to 5.5V while  $V_{DD} = 0V$ . Additionally, the feature enables operation of the TMUX111x with  $V_{DD} = 1.2V$  while allowing the select pins to interface with a logic level of another device up to 5.5V.

#### 8.3.5 Ultra-Low Leakage Current


The TMUX111x devices provide extremely low on-leakage and off-leakage currents. The TMUX111x devices are capable of switching signals from high source-impedance inputs into a high input-impedance op amp with


minimal offset error because of the ultra-low leakage currents.  8-2 shows typical leakage currents of the TMUX111x devices versus temperature at  $V_{DD} = 5V$ .

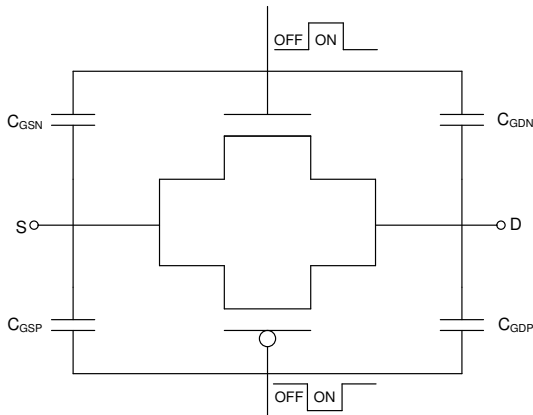


 8-2. Leakage Current vs Temperature

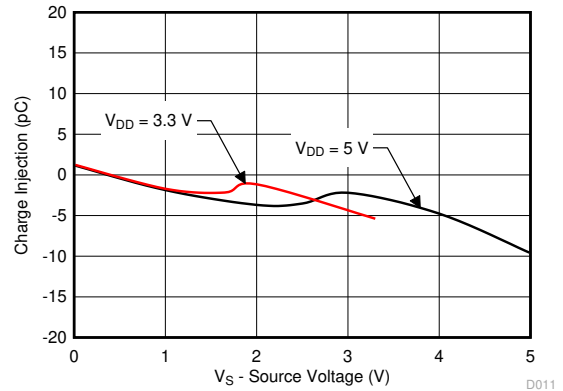
### 8.3.6 Ultra-Low Charge Injection

The TMUX111x devices have a transmission gate topology, as shown in  8-3. Any mismatch in the stray capacitance associated with the NMOS and PMOS causes an output level change whenever the switch is opened or closed.

The TMUX111x devices have special charge-injection cancellation circuitry that reduces the source-to-drain charge injection to  $-1.5pC$  at  $V_S = 1V$  as shown in  8-4.



 8-3. Transmission Gate Topology



 8-4. Charge Injection vs Source Voltage

## 8.4 Device Functional Modes

The TMUX111x devices have four independently selectable single-pole, single-throw switches that are turned-on or turned-off based on the state of the corresponding select pin. The control pins can be as high as 5.5V.

The TMUX111x devices can be operated without any external components except for the supply decoupling capacitors. Unused logic control pins should be tied to GND or V<sub>DD</sub> so that the device does not consume additional current as highlighted in *Implications of Slow or Floating CMOS Inputs*. Unused signal path inputs (Sx or Dx) should be connection to GND.

## 8.5 Truth Tables

表 8-1, 表 8-2, and 表 8-3 provides the truth tables for the TMUX1111, TMUX1112, and TMUX1113, respectively.

表 8-1. TMUX1111 Truth Table<sup>(1)</sup>

SEL x	CHANNEL x
0	Channel x ON
1	Channel x OFF

表 8-2. TMUX1112 Truth Table

SEL x	CHANNEL x
0	Channel x OFF
1	Channel x ON

(1) x denotes 1, 2, 3, or 4 for the corresponding channel.

表 8-3. TMUX1113 Truth Table<sup>(1)</sup>

SEL1	SEL2	SEL3	SEL4	ON / OFF CHANNELS
0	X	X	X	CHANNEL 1 OFF
1	X	X	X	CHANNEL 1 ON
X	0	X	X	CHANNEL 2 ON
X	1	X	X	CHANNEL 2 OFF
X	X	0	X	CHANNEL 3 ON
X	X	1	X	CHANNEL 3 OFF
X	X	X	0	CHANNEL 4 OFF
X	X	X	1	CHANNEL 4 ON

(1) X denotes *do not care*.



## 9 Application and Implementation

### 注

以下のアプリケーション情報は、TI の製品仕様に含まれるものではなく、TI ではその正確性または完全性を保証いたしません。個々の目的に対する製品の適合性については、お客様の責任で判断していただくこととなります。お客様は自身の設計実装を検証しテストすることで、システムの機能を確認する必要があります。

### 9.1 Application Information

The TMUX11xx family offers ultra-low input/output leakage currents and low charge injection. These devices operate up to 5.5V, and offer true rail-to-rail input and output of both analog and digital signals. The TMUX11xx have a low on-capacitance which allows faster settling time when multiplexing inputs in the time domain. These features make the TMUX11xx devices a family of precision, high-performance switches and multiplexers for low-voltage applications.

### 9.2 Typical Application - Sample-and-Hold Circuit

One useful application to take advantage of the TMUX1111, TMUX1112, and TMUX1113 performance is the sample-and-hold circuit. A sample-and-hold circuit can be useful for an analog to digital converter (ADC) to sample a varying input voltage with improved reliability and stability. It can also be used to store the output samples from a single digital-to-analog converter (DAC) in a multi-output application. A simple sample-and-hold circuit can be realized using an analog switch such as the TMUX1111, TMUX1112, and TMUX1113 analog switches. 図 9-1 shows a single channel sample-and hold circuit using only 1 of 4 channels in the TMUX11xx devices.

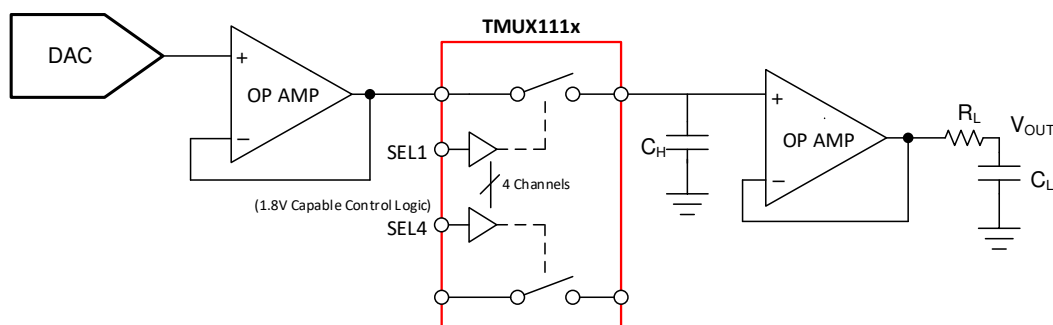


図 9-1. Single Channel Sample-and-Hold Circuit Example

An optional op amp is used before the switch since buffered DACs typically have limitations in driving capacitive loads. The additional buffer stage is included following the DAC to prevent potential stability problems from driving a large capacitive load.

Ideally, the switch delivers only the input signals to the holding capacitors. However, when the switch gets toggled, some amount of charge also gets transferred to the switch output in the form of charge injection, resulting in a pedestal sampling error. The TMUX1111, TMUX1112, and TMUX1113 switches have excellent charge injection performance of only -1.5pC, making them excellent choices for this implementation to minimize sampling error. The pedestal error voltage is indirectly related to the size of the capacitance on the output, for better precision a larger capacitor is required due to charge injection. Larger capacitance limits the system settling time which may not be acceptable in some applications. 図 9-2 shows a TMUX11xx device configured for a 2-channel sample-and-hold circuit with pedestal error compensation.

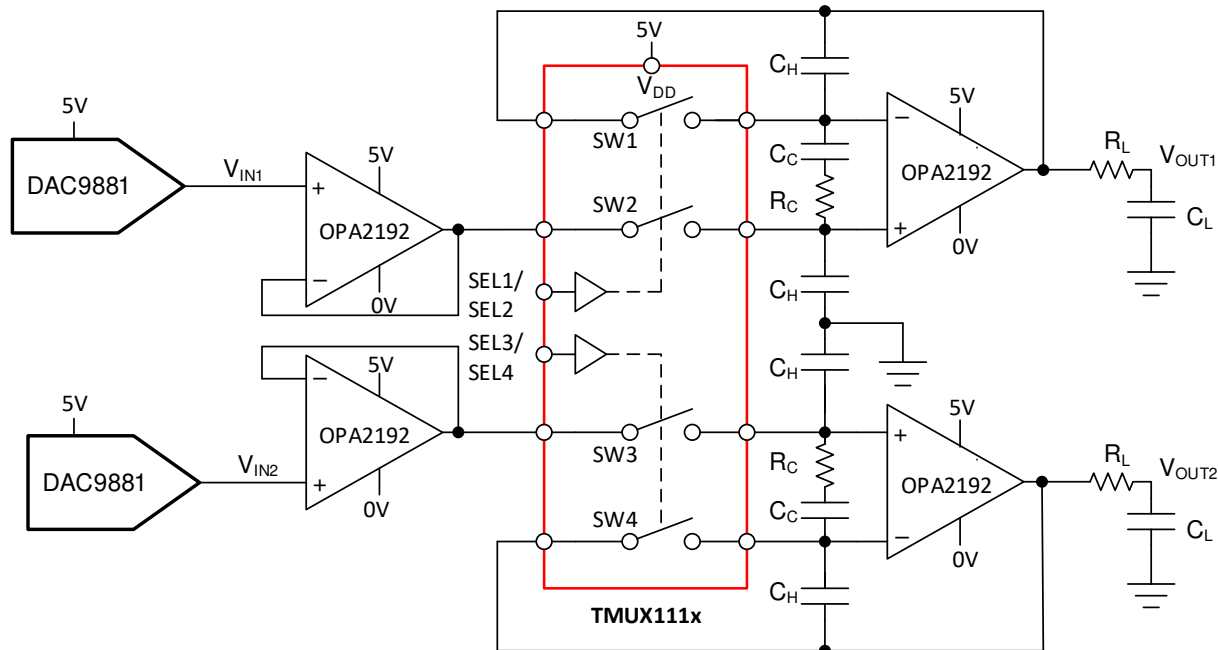


図 9-2. 2-Channel Sample-and-Hold Circuit with Pedestal Error Compensation

## 9.2.1 Design Requirements

The purpose of this precision design is to implement an optimized 2-output sample-and-hold circuit using a 4-channel SPST switch. The sample and hold circuit needs to be capable of supporting high accuracy with minimized pedestal error and fast settling time..

## 9.2.2 Detailed Design Procedure

### 9.2.2.1 Detailed Design Procedure

The TMUX1111, TMUX1112, or TMUX1113 switch is used in conjunction with the voltage holding capacitors ( $C_H$ ) to implement the sample-and-hold circuit. The basic operation is:

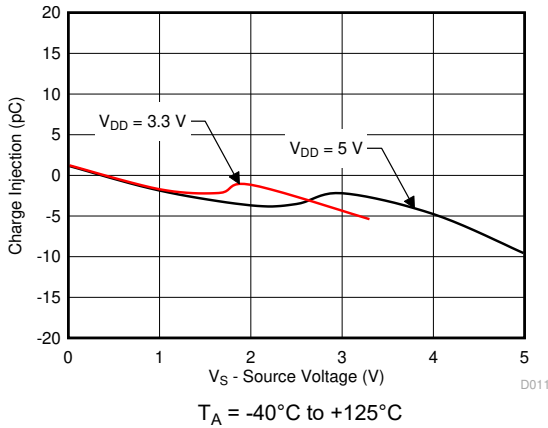
1. When the switch (SW2 or SW3) is closed, it samples the input voltage and charges the holding capacitors ( $C_H$ ) to the input voltages values.
2. When the switch (SW2 or SW3) is open, the holding capacitors ( $C_H$ ) holds its previous value, maintaining stable voltage at the amplifier output ( $V_{OUT}$ ).

Due to switch and capacitor leakage current, as well as amplifier bias current, the voltage on the hold capacitors droops with time. The TMUX1111, TMUX1112, or TMUX1113 minimize the droops due to its ultra-low leakage performance. At 25°C, the TMUX1111, TMUX1112, and TMUX1113 have extremely low leakage current at 3pA typical.

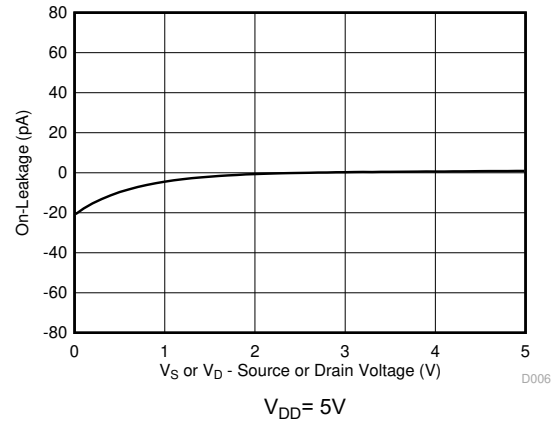
A second switch SW1 (or SW4) is also included to operate in parallel with SW2 (or SW3) to reduce pedestal error during switch toggling. Because both switches are driven at the same potential, they act as common-mode signal to the op-amp, thereby minimizing the charge injection effects caused by the switch toggling action. Compensation network consisting of  $R_C$  and  $C_C$  is also added to further reduce the pedestal error, while reducing the hold-time glitch and improving the settling time of the circuit. Refer to [Sample and Hold Glitch Reduction for Precision Outputs Reference Design](#) for more information on sample-and-hold circuits.

### 9.2.3 Application Curve

TMUX1111, TMUX1112, and TMUX1113 have excellent charge injection performance and ultra-low leakage current, making them excellent choices to minimize sampling error for the sample and hold application.



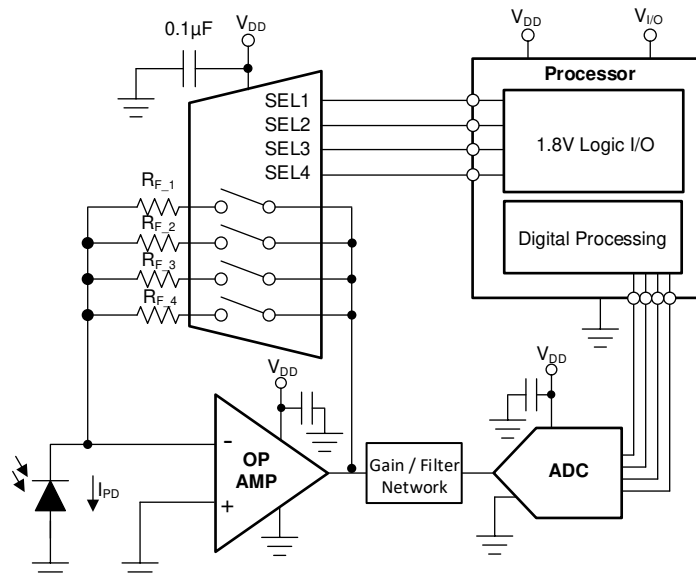
9-3. Charge Injection vs Source Voltage



9-4. On-Leakage vs Source or Drain Voltage

### 9.3 Typical Application - Switched Gain Amplifier

Switches and multiplexers are commonly used in the feedback path of amplifier circuits to provide configurable gain control. By using various resistor values on each switch path the TMUX111x allows the system to have multiple gain settings. An external resistor, or utilizing 1 channel always being closed, causes the amplifier to not operate in an open loop configuration. A transimpedance amplifier (TIA) for photodiode inputs is a common circuit that requires gain control using a multi-channel switch to convert the output current of the photodiode into a voltage for the MCU or processor. The leakage current, capacitance, and charge injection performance of the TMUX111x are key specifications to evaluate when selecting a device for gain control.



9-5. Switching Gain Settings of a TIA circuit

### 9.3.1 Design Requirements

For this design example, use the parameters listed in 表 9-1.

表 9-1. Design parameters

PARAMETERS	VALUES
Supply ( $V_{DD}$ )	3.3V
Input / Output signal range	0 $\mu$ A to 10 $\mu$ A
Control logic thresholds	1.8V compatible

### 9.3.2 Detailed Design Procedure

The TMUX111x devices can be operated without any external components except for the supply decoupling capacitors. All inputs signals passing through the switch must fall within the recommend operating conditions of the TMUX111x including signal range and continuous current. For this design example, with a supply of 3.3V, the signals can range from 0V to 3.3V when the device is powered. The max continuous current can be 30mA.

Photodiodes commonly have a current output that ranges from a few hundred picoamps to tens of microamps based on the amount of light being absorbed. The TMUX111x have a typical On-leakage current of less than 10pA which would lead to an accuracy well within 1% of a full scale 10 $\mu$ A signal. The low ON and OFF capacitance of the TMUX111x improves system stability by minimizing the total capacitance on the output of the amplifier. Lower capacitance leads to less overshoot and ringing in the system which can cause the amplifier circuit to go unstable if the phase margin is not at least 45°. Refer to [Improve Stability Issues with Low  \$C\_{ON}\$  Multiplexers](#) for more information on calculating the phase margin vs. percent overshoot.

### 9.3.3 Application Curve

The TMUX1111 is capable of switching signals from high source-impedance inputs into a high input-impedance op amp with minimal offset error because of the ultra-low leakage currents.

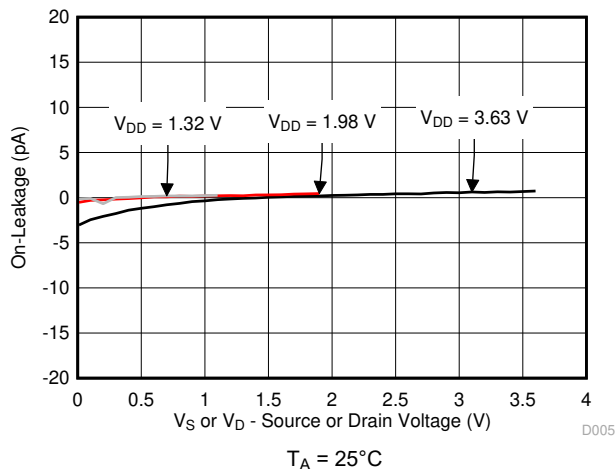


図 9-6. On-Leakage vs Source or Drain Voltage

## 9.4 Power Supply Recommendations

The TMUX111x operate across a wide supply range of 1.08V to 5.5V. Do not exceed the absolute maximum ratings because stresses beyond the listed ratings can cause permanent damage to the devices.

Power-supply bypassing improves noise margin and prevents switching noise propagation from the  $V_{DD}$  supply to other components. Good power-supply decoupling is important to achieve optimum performance. For improved supply noise immunity, use a supply decoupling capacitor ranging from 0.1  $\mu\text{F}$  to 10  $\mu\text{F}$  from  $V_{DD}$  to ground. Place the bypass capacitors as close to the power supply pins of the device as possible using low-impedance connections. TI recommends using multi-layer ceramic chip capacitors (MLCCs) that offer low equivalent series resistance (ESR) and inductance (ESL) characteristics for power-supply decoupling purposes. For very sensitive systems, or for systems in harsh noise environments, avoiding the use of vias for connecting the capacitors to the device pins may offer superior noise immunity. The use of multiple vias in parallel lowers the overall inductance and is beneficial for connections to ground planes.

## 9.5 Layout

### 9.5.1 Layout Guidelines

When a PCB trace turns a corner at a 90° angle, a reflection can occur. A reflection occurs primarily because of the change of width of the trace. At the apex of the turn, the trace width increases to 1.414 times the width. This increase upsets the transmission-line characteristics, especially the distributed capacitance and self-inductance of the trace which results in the reflection. Not all PCB traces can be straight and therefore some traces must turn corners. [Figure 9-7](#) shows progressively better techniques of rounding corners. Only the last example (BEST) maintains constant trace width and minimizes reflections.

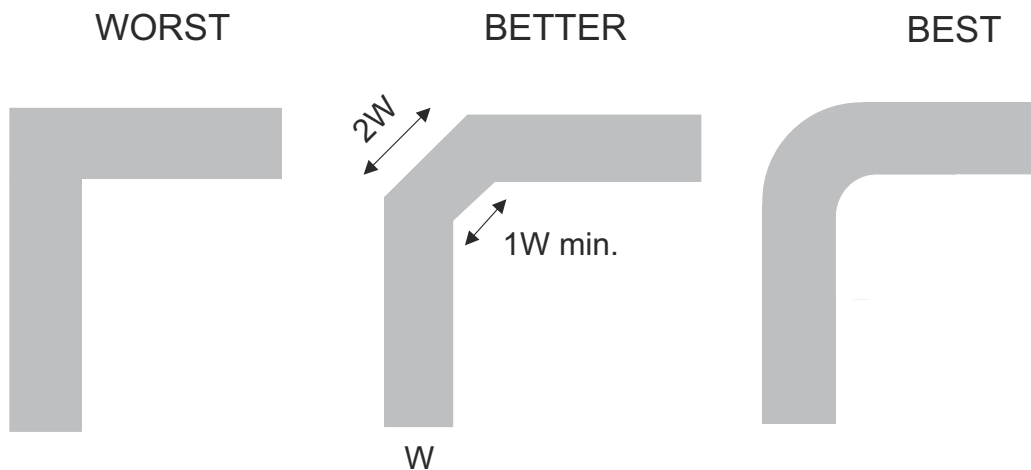


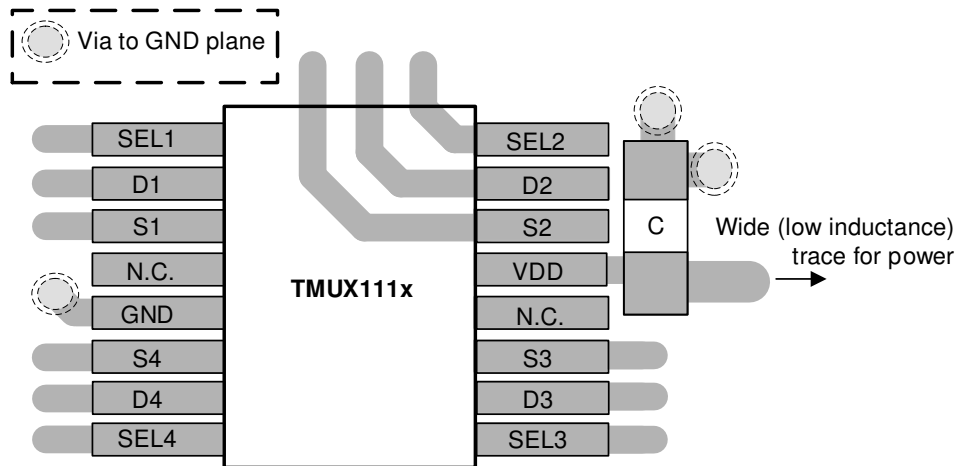
Figure 9-7. Trace Example

Route high-speed signals using a minimum of vias and corners which reduces signal reflections and impedance changes. When a via must be used, increase the clearance size around it to minimize its capacitance. Each via introduces discontinuities in the signal's transmission line and increases the chance of picking up interference from the other layers of the board. Be careful when designing test points, through-hole pins are not recommended at high frequencies.

### 9.5.2 Layout Example

☒ 9-8 shows an example of a PCB layout with the TMUX111x. Some key considerations are:

- Decouple the  $V_{DD}$  pin with a 0.1 $\mu$ F capacitor, placed as close to the pin as possible. Make sure that the capacitor voltage rating is sufficient for the  $V_{DD}$  supply.
- Keep the input lines as short as possible.
- Use a solid ground plane to help reduce electromagnetic interference (EMI) noise pickup.
- Do not run sensitive analog traces in parallel with digital traces. Avoid crossing digital and analog traces if possible, and only make perpendicular crossings when necessary.



☒ 9-8. TMUX111x Layout Example

## 10 Device and Documentation Support

### 10.1 Documentation Support

#### 10.1.1 Related Documentation

For related documentation, see the following:

- Texas Instruments, [Sample and Hold Glitch Reduction for Precision Outputs Reference Design](#).
- Texas Instruments, [True Differential, 4 x 2 MUX, Analog Front End, Simultaneous-Sampling ADC Circuit](#).
- Texas Instruments, [Improve Stability Issues with Low CON Multiplexers](#).
- Texas Instruments, [Simplifying Design with 1.8V logic Muxes and Switches](#).
- Texas Instruments, [Eliminate Power Sequencing with Powered-off Protection Signal Switches](#).
- Texas Instruments, [System-Level Protection for High-Voltage Analog Multiplexers](#).
- Texas Instruments, [QFN/SON PCB Attachment](#).
- Texas Instruments, [Quad Flatpack No-Lead Logic Packages](#).

### 10.2 ドキュメントの更新通知を受け取る方法

ドキュメントの更新についての通知を受け取るには、[www.tij.co.jp](http://www.tij.co.jp) のデバイス製品フォルダを開いてください。[通知] をクリックして登録すると、変更されたすべての製品情報に関するダイジェストを毎週受け取ることができます。変更の詳細については、改訂されたドキュメントに含まれている改訂履歴をご覧ください。

### 10.3 サポート・リソース

テキサス・インスツルメンツ E2E™ サポート・フォーラムは、エンジニアが検証済みの回答と設計に関するヒントをエキスパートから迅速かつ直接得ることができる場所です。既存の回答を検索したり、独自の質問をしたりすることで、設計に必要な支援を迅速に得ることができます。

リンクされているコンテンツは、各寄稿者により「現状のまま」提供されるものです。これらはテキサス・インスツルメンツの仕様を構成するものではなく、必ずしもテキサス・インスツルメンツの見解を反映したものではありません。テキサス・インスツルメンツの[使用条件](#)を参照してください。

### 10.4 Trademarks

テキサス・インスツルメンツ E2E™ is a trademark of Texas Instruments.

すべての商標は、それぞれの所有者に帰属します。

### 10.5 静電気放電に関する注意事項



この IC は、ESD によって破損する可能性があります。テキサス・インスツルメンツは、IC を取り扱う際には常に適切な注意を払うことを推奨します。正しい取り扱いおよび設置手順に従わない場合、デバイスを破損するおそれがあります。

ESD による破損は、わずかな性能低下からデバイスの完全な故障まで多岐にわたります。精密な IC の場合、パラメータがわずかに変化するだけで公表されている仕様から外れる可能性があるため、破損が発生しやすくなっています。

### 10.6 用語集

[テキサス・インスツルメンツ用語集](#) この用語集には、用語や略語の一覧および定義が記載されています。

## 11 Revision History

資料番号末尾の英字は改訂を表しています。その改訂履歴は英語版に準じています。

Changes from Revision B (August 2019) to Revision C (December 2023)	Page
• ドキュメント全体にわたって表、図、相互参照の採番方法を更新.....	1
• Updated Is or Id (Continuous Current) values.....	4
• Added Ipeak values to recommended operating conditions table.....	4
Changes from Revision A (June 2019) to Revision B (August 2019)	Page
• 「製品プレビュー」の注を以下から削除: 「製品情報」表の TMUX1113, TMUX1112, RSV パッケージ .....	1
• Deleted the <i>Product Preview</i> note from: TMUX1113, TMUX1112 in the <i>Device Comparison Table</i> table.....	2

- Deleted the *Product Preview* note from:the RSV package in the *Pin Configuration and Functions* section..... 3
- Added RSV (UQFN) thermal values to *Thermal Information* .....5

---

<b>Changes from Revision * (February 2019) to Revision A (June 2019)</b>	<b>Page</b>
--------------------------------------------------------------------------	-------------

---

- |                                            |   |
|--------------------------------------------|---|
| • ドキュメントのステータスを「事前情報」から「混合ステータス」に変更。 ..... | 1 |
|--------------------------------------------|---|
- 

## 12 Mechanical, Packaging, and Orderable Information

The following pages include mechanical, packaging, and orderable information. This information is the most current data available for the designated devices. This data is subject to change without notice and revision of this document. For browser-based versions of this data sheet, refer to the left-hand navigation.



**PACKAGING INFORMATION**

Orderable Device	Status (1)	Package Type	Package Drawing	Pins	Package Qty	Eco Plan (2)	Lead finish/ Ball material (6)	MSL Peak Temp (3)	Op Temp (°C)	Device Marking (4/5)	Samples
TMUX1111PWR	ACTIVE	TSSOP	PW	16	2000	RoHS & Green	NIPDAU	Level-1-260C-UNLIM	-40 to 125	TM1111	<a href="#">Samples</a>
TMUX1111RSVR	ACTIVE	UQFN	RSV	16	3000	RoHS & Green	NIPDAU	Level-1-260C-UNLIM	-40 to 125	1FC	<a href="#">Samples</a>
TMUX1112PWR	ACTIVE	TSSOP	PW	16	2000	RoHS & Green	NIPDAU	Level-1-260C-UNLIM	-40 to 125	TM1112	<a href="#">Samples</a>
TMUX1112RSVR	ACTIVE	UQFN	RSV	16	3000	RoHS & Green	NIPDAU	Level-1-260C-UNLIM	-40 to 125	1FD	<a href="#">Samples</a>
TMUX1113PWR	ACTIVE	TSSOP	PW	16	2000	RoHS & Green	NIPDAU	Level-1-260C-UNLIM	-40 to 125	TM1113	<a href="#">Samples</a>
TMUX1113RSVR	ACTIVE	UQFN	RSV	16	3000	RoHS & Green	NIPDAU	Level-1-260C-UNLIM	-40 to 125	1FE	<a href="#">Samples</a>

(1) The marketing status values are defined as follows:

**ACTIVE:** Product device recommended for new designs.

**LIFEBUY:** TI has announced that the device will be discontinued, and a lifetime-buy period is in effect.

**NRND:** Not recommended for new designs. Device is in production to support existing customers, but TI does not recommend using this part in a new design.

**PREVIEW:** Device has been announced but is not in production. Samples may or may not be available.

**OBSELETE:** TI has discontinued the production of the device.

(2) **RoHS:** TI defines "RoHS" to mean semiconductor products that are compliant with the current EU RoHS requirements for all 10 RoHS substances, including the requirement that RoHS substance do not exceed 0.1% by weight in homogeneous materials. Where designed to be soldered at high temperatures, "RoHS" products are suitable for use in specified lead-free processes. TI may reference these types of products as "Pb-Free".

**RoHS Exempt:** TI defines "RoHS Exempt" to mean products that contain lead but are compliant with EU RoHS pursuant to a specific EU RoHS exemption.

**Green:** TI defines "Green" to mean the content of Chlorine (Cl) and Bromine (Br) based flame retardants meet JS709B low halogen requirements of <=1000ppm threshold. Antimony trioxide based flame retardants must also meet the <=1000ppm threshold requirement.

(3) MSL, Peak Temp. - The Moisture Sensitivity Level rating according to the JEDEC industry standard classifications, and peak solder temperature.

(4) There may be additional marking, which relates to the logo, the lot trace code information, or the environmental category on the device.

(5) Multiple Device Markings will be inside parentheses. Only one Device Marking contained in parentheses and separated by a "-" will appear on a device. If a line is indented then it is a continuation of the previous line and the two combined represent the entire Device Marking for that device.

(6) Lead finish/Ball material - Orderable Devices may have multiple material finish options. Finish options are separated by a vertical ruled line. Lead finish/Ball material values may wrap to two lines if the finish value exceeds the maximum column width.

**Important Information and Disclaimer:** The information provided on this page represents TI's knowledge and belief as of the date that it is provided. TI bases its knowledge and belief on information provided by third parties, and makes no representation or warranty as to the accuracy of such information. Efforts are underway to better integrate information from third parties. TI has taken and continues to take reasonable steps to provide representative and accurate information but may not have conducted destructive testing or chemical analysis on incoming materials and chemicals. TI and TI suppliers consider certain information to be proprietary, and thus CAS numbers and other limited information may not be available for release.

In no event shall TI's liability arising out of such information exceed the total purchase price of the TI part(s) at issue in this document sold by TI to Customer on an annual basis.

**TAPE AND REEL INFORMATION**

**QUADRANT ASSIGNMENTS FOR PIN 1 ORIENTATION IN TAPE**


\*All dimensions are nominal

Device	Package Type	Package Drawing	Pins	SPQ	Reel Diameter (mm)	Reel Width W1 (mm)	A0 (mm)	B0 (mm)	K0 (mm)	P1 (mm)	W (mm)	Pin1 Quadrant
TMUX1111PWR	TSSOP	PW	16	2000	330.0	12.4	6.9	5.6	1.6	8.0	12.0	Q1
TMUX1111RSVR	UQFN	RSV	16	3000	178.0	13.5	2.1	2.9	0.75	4.0	12.0	Q1
TMUX1112PWR	TSSOP	PW	16	2000	330.0	12.4	6.9	5.6	1.6	8.0	12.0	Q1
TMUX1112RSVR	UQFN	RSV	16	3000	178.0	13.5	2.1	2.9	0.75	4.0	12.0	Q1
TMUX1113PWR	TSSOP	PW	16	2000	330.0	12.4	6.9	5.6	1.6	8.0	12.0	Q1
TMUX1113RSVR	UQFN	RSV	16	3000	178.0	13.5	2.1	2.9	0.75	4.0	12.0	Q1

**TAPE AND REEL BOX DIMENSIONS**


\*All dimensions are nominal

Device	Package Type	Package Drawing	Pins	SPQ	Length (mm)	Width (mm)	Height (mm)
TMUX1111PWR	TSSOP	PW	16	2000	356.0	356.0	35.0
TMUX1111RSVR	UQFN	RSV	16	3000	189.0	185.0	36.0
TMUX1112PWR	TSSOP	PW	16	2000	356.0	356.0	35.0
TMUX1112RSVR	UQFN	RSV	16	3000	189.0	185.0	36.0
TMUX1113PWR	TSSOP	PW	16	2000	356.0	356.0	35.0
TMUX1113RSVR	UQFN	RSV	16	3000	189.0	185.0	36.0



4220204/A 02/2017

NOTES:

1. All linear dimensions are in millimeters. Any dimensions in parenthesis are for reference only. Dimensioning and tolerancing per ASME Y14.5M.
2. This drawing is subject to change without notice.
3. This dimension does not include mold flash, protrusions, or gate burrs. Mold flash, protrusions, or gate burrs shall not exceed 0.15 mm per side.
4. This dimension does not include interlead flash. Interlead flash shall not exceed 0.25 mm per side.
5. Reference JEDEC registration MO-153.

# EXAMPLE BOARD LAYOUT

PW0016A

TSSOP - 1.2 mm max height

SMALL OUTLINE PACKAGE



LAND PATTERN EXAMPLE  
EXPOSED METAL SHOWN  
SCALE: 10X



SOLDER MASK DETAILS

4220204/A 02/2017

NOTES: (continued)

- 6. Publication IPC-7351 may have alternate designs.
- 7. Solder mask tolerances between and around signal pads can vary based on board fabrication site.

# EXAMPLE STENCIL DESIGN

PW0016A

TSSOP - 1.2 mm max height

SMALL OUTLINE PACKAGE



SOLDER PASTE EXAMPLE  
BASED ON 0.125 mm THICK STENCIL  
SCALE: 10X

4220204/A 02/2017

NOTES: (continued)

8. Laser cutting apertures with trapezoidal walls and rounded corners may offer better paste release. IPC-7525 may have alternate design recommendations.
9. Board assembly site may have different recommendations for stencil design.

## GENERIC PACKAGE VIEW

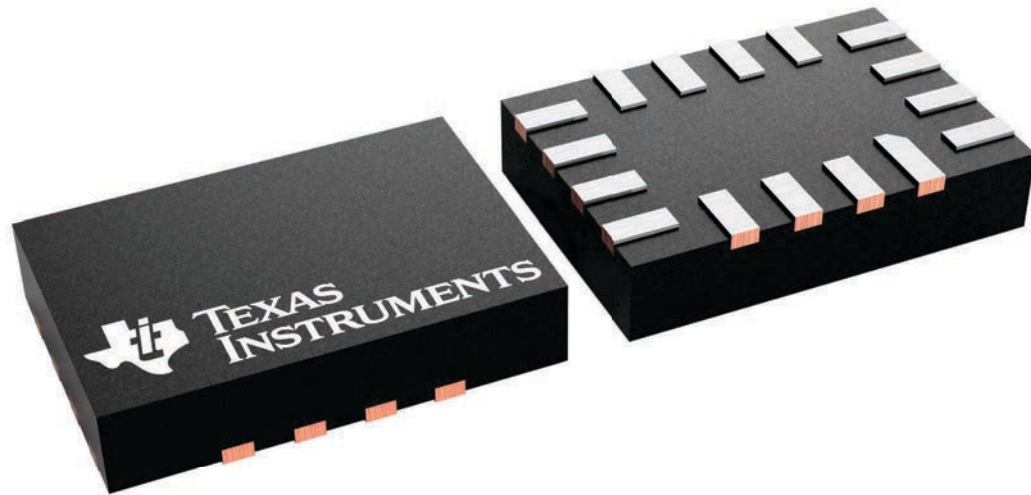
**RSV 16**

**UQFN - 0.55 mm max height**

1.8 x 2.6, 0.4 mm pitch

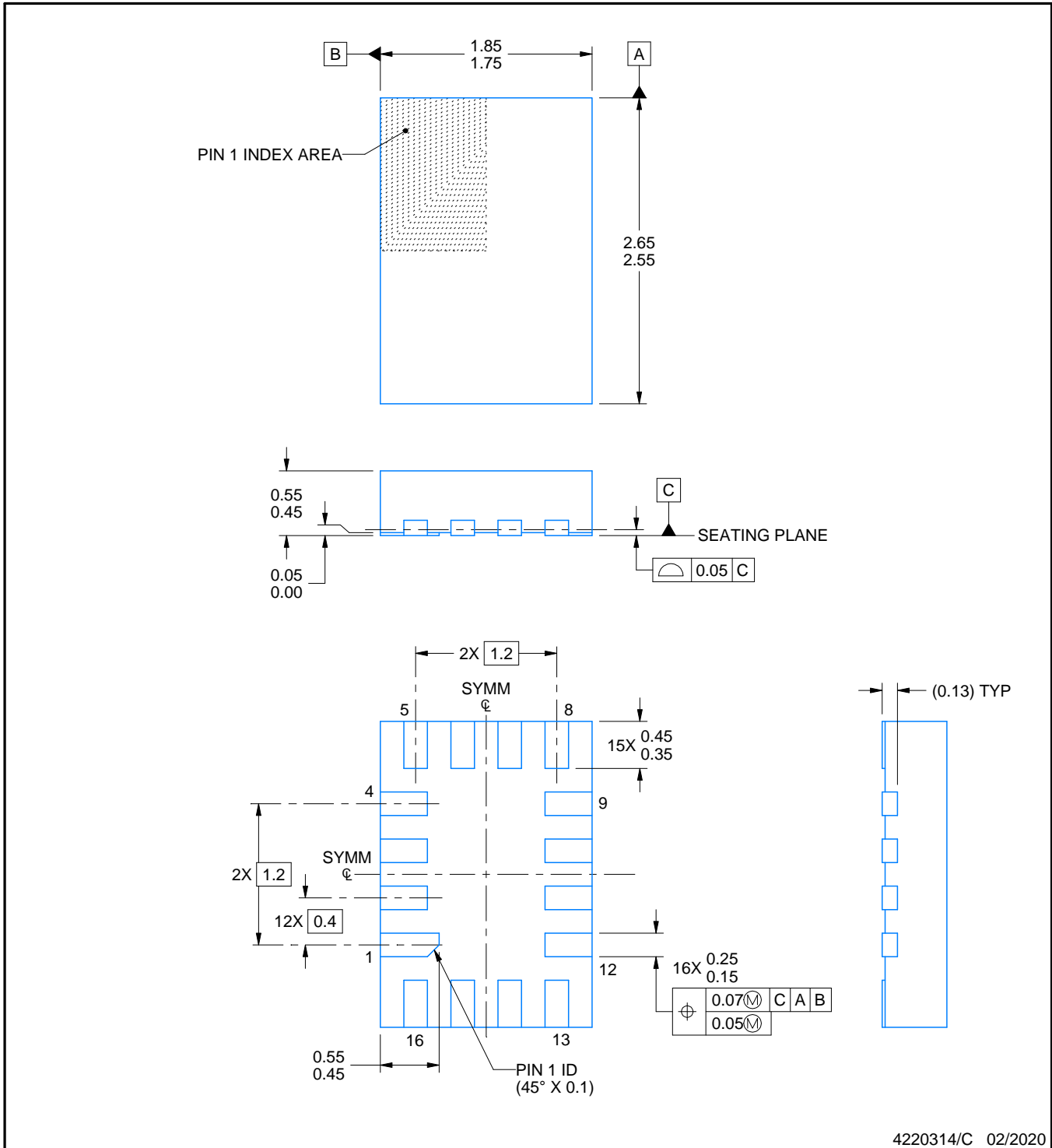
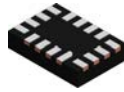
ULTRA THIN QUAD FLATPACK - NO LEAD

This image is a representation of the package family, actual package may vary.  
Refer to the product data sheet for package details.



4231225/A





4220314/C 02/2020

NOTES:

1. All linear dimensions are in millimeters. Any dimensions in parenthesis are for reference only. Dimensioning and tolerancing per ASME Y14.5M.
2. This drawing is subject to change without notice.

# EXAMPLE BOARD LAYOUT

RSV0016A

UQFN - 0.55 mm max height

ULTRA THIN QUAD FLATPACK - NO LEAD



LAND PATTERN EXAMPLE  
EXPOSED METAL SHOWN  
SCALE: 25X



4220314/C 02/2020

NOTES: (continued)

3. For more information, see Texas Instruments literature number SLUA271 ([www.ti.com/lit/slua271](http://www.ti.com/lit/slua271)).

# EXAMPLE STENCIL DESIGN

RSV0016A

UQFN - 0.55 mm max height

ULTRA THIN QUAD FLATPACK - NO LEAD



SOLDER PASTE EXAMPLE  
BASED ON 0.125 MM THICK STENCIL  
SCALE: 25X

4220314/C 02/2020

NOTES: (continued)

4. Laser cutting apertures with trapezoidal walls and rounded corners may offer better paste release. IPC-7525 may have alternate design recommendations.

## 重要なお知らせと免責事項

テキサス・インスツルメンツは、技術データと信頼性データ(データシートを含みます)、設計リソース(リファレンス デザインを含みます)、アプリケーションや設計に関する各種アドバイス、Web ツール、安全性情報、その他のリソースを、欠陥が存在する可能性のある「現状のまま」提供しており、商品性および特定目的に対する適合性の黙示保証、第三者の知的財産権の非侵害保証を含むいかなる保証も、明示的または黙示的にかかわらず拒否します。

これらのリソースは、テキサス・インスツルメンツ製品を使用する設計の経験を積んだ開発者への提供を意図したものです。(1) お客様のアプリケーションに適したテキサス・インスツルメンツ製品の選定、(2) お客様のアプリケーションの設計、検証、試験、(3) お客様のアプリケーションに該当する各種規格や、その他のあらゆる安全性、セキュリティ、規制、または他の要件への確実な適合に関する責任を、お客様のみが単独で負うものとします。

上記の各種リソースは、予告なく変更される可能性があります。これらのリソースは、リソースで説明されているテキサス・インスツルメンツ製品を使用するアプリケーションの開発の目的でのみ、テキサス・インスツルメンツはその使用をお客様に許諾します。これらのリソースに関して、他の目的で複製することや掲載することは禁止されています。テキサス・インスツルメンツや第三者の知的財産権のライセンスが付与されている訳ではありません。お客様は、これらのリソースを自身で使用した結果発生するあらゆる申し立て、損害、費用、損失、責任について、テキサス・インスツルメンツおよびその代理人を完全に補償するものとし、テキサス・インスツルメンツは一切の責任を拒否します。

テキサス・インスツルメンツの製品は、[テキサス・インスツルメンツの販売条件](#)、または [ti.com](https://www.ti.com) やかかるテキサス・インスツルメンツ製品の関連資料などのいずれかを通じて提供する適用可能な条項の下で提供されています。テキサス・インスツルメンツがこれらのリソースを提供することは、適用されるテキサス・インスツルメンツの保証または他の保証の放棄の拡大や変更を意味するものではありません。

お客様がいかなる追加条項または代替条項を提案した場合でも、テキサス・インスツルメンツはそれらに異議を唱え、拒否します。

郵送先住所：Texas Instruments, Post Office Box 655303, Dallas, Texas 75265  
Copyright © 2025, Texas Instruments Incorporated