

TL7700-SEP 宇宙用強化プラスチック製、耐放射線特性、電源電圧スーパーバイザ

1 特長

- VID V62/19602
- 放射線耐性を強化
 - シングル・イベント・ラッチアップ (SEL) 耐性: 125°Cで 43MeV-cm²/mg まで
 - すべてのウェハー・ロットについて、20krad(Si) までの吸収線量 (TID) RLAT (Radiation Lot Acceptance Test)
- 宇宙向けに強化されたプラスチック
 - 管理されたベースライン
 - 金線
 - NiPdAu リード仕上げ
 - 単一のアセンブリ/テスト施設
 - 単一の製造施設
 - 軍用温度範囲 (-55°C~125°C) で利用可能
 - 長い製品ライフ・サイクル
 - 製品変更通知期間の延長
 - 製品のトレーサビリティ
 - モールド・コンパウンドの改良による低いガス放出
- 2つの外付け抵抗で検出電圧を調整可能
- 1%の検出電圧公差 (25°C)
- 検出電圧のヒステリシスを調整可能
- 広い動作電源電圧範囲: 1.8V~40V
- 低い消費電力: I_{CC} = 0.6mA (標準値)、V_{CC} = 40V

2 アプリケーション

- 低軌道 (LEO) 衛星用途
- 衛星用電力スーパーバイザ
- DPS、MCU、FPGA、ASIC の監視

3 概要

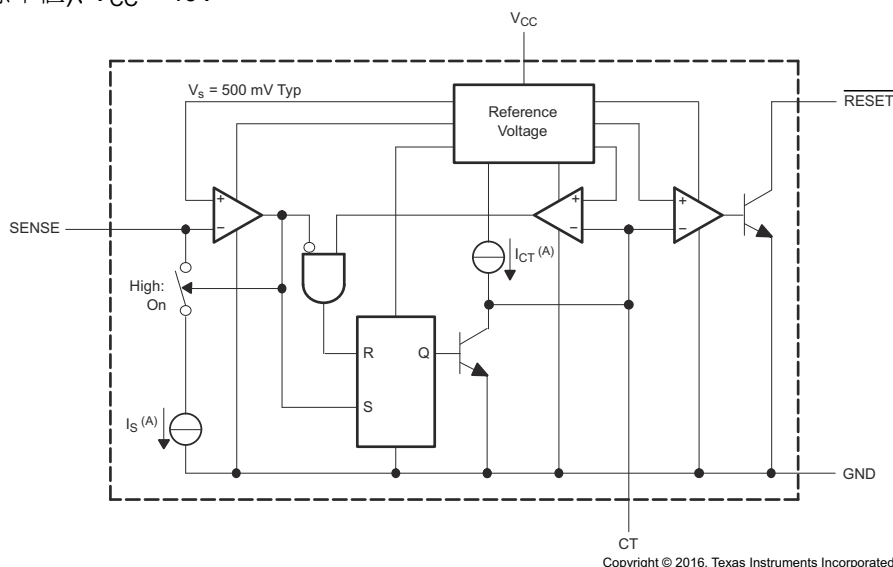
TL7700-SEP はバイポーラ IC で、マイクロコンピュータおよびマイクロプロセッサ・システムのリセット・コントローラとして使用するよう設計されています。SENSE 電圧は 2 つの外付け抵抗により、0.5V より高い任意の値に設定できます。

回路の機能は非常に安定しており、電源電圧は 1.8V~40V の範囲です。最小電源電流により、AC ライン動作やポータブル・バッテリー動作に使用できます。TL7700-SEP デバイスは、-55°C~125°Cで動作するよう設計されています。

製品情報

部品番号 (1)	パッケージ	サイズと質量 (公称) (2)
V62/19602	TSSOP (8)	3.00mm × 4.40mm 質量 = 39.47mg

- (1) 利用可能なすべてのパッケージについては、このデータシートの末尾にある注文情報を参照してください。
- (2) 質量の精度は ±10% です。



機能ブロック図



Table of Contents

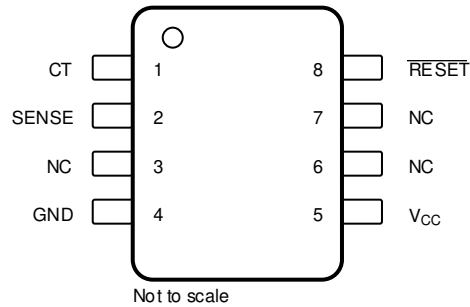
1 特長.....	1	8.3 Feature Description.....	11
2 アプリケーション.....	1	8.4 Device Functional Modes.....	12
3 概要.....	1	9 Application and Implementation.....	13
4 Revision History.....	2	9.1 Application Information.....	13
5 Pin Configuration and Functions.....	3	9.2 Typical Application.....	13
6 Specifications.....	4	10 Power Supply Recommendations.....	15
6.1 Absolute Maximum Ratings.....	4	11 Layout.....	15
6.2 ESD Ratings.....	4	11.1 Layout Guidelines.....	15
6.3 Recommended Operating Conditions.....	4	11.2 Layout Example.....	15
6.4 Thermal Information.....	4	12 Device and Documentation Support.....	16
6.5 Electrical Characteristics.....	5	12.1 ドキュメントの更新通知を受け取る方法.....	16
6.6 Switching Characteristics.....	5	12.2 サポート・リソース.....	16
6.7 Typical Characteristics.....	6	12.3 Trademarks.....	16
7 Parameter Measurement Information.....	8	12.4 静電気放電に関する注意事項.....	16
8 Detailed Description.....	10	12.5 用語集.....	16
8.1 Overview.....	10	13 Mechanical, Packaging, and Orderable Information.....	17
8.2 Functional Block Diagram.....	10		

4 Revision History

資料番号末尾の英字は改訂を表しています。その改訂履歴は英語版に準じています。

Changes from Revision * (March 2019) to Revision A (August 2021)	Page
• ドキュメント全体にわたって表、図、相互参照の採番方法を更新.....	1
• 「製品情報」表にパッケージ質量を追加し、「概要」セクションから車載アプリケーションを削除.....	1
• Removed MIN and MAX values for SENSE input current [25°C] in the <i>Electrical Characteristics</i> section.....	5
• Changed MIN value for SENSE input current [–55°C to 125°C], From 1.5 µA : To 1 µA, in the <i>Electrical Characteristics</i> section.....	5
• Changed MIN value for Timing-capacitor charge current [25°C], From 11 µA : To 8 µA, in the <i>Electrical Characteristics</i> section.....	5
• Added more variables to the t_{po} equation in the <i>Output Pulse-Duration Setting</i> section.....	12
• Added equations to demonstrate an example calculation in the <i>Detailed Design Procedure</i> section.....	13

5 Pin Configuration and Functions




**5-1. PW Package
8-Pin TSSOP
Top View**

表 5-1. Pin Functions

PIN		I/O	DESCRIPTION
NAME	NO.		
CT	1	I/O	Timing capacitor connection This terminal sets the RESET output pulse duration (t_{po}). It is connected internally to a 15- μ A constant-current source. There is a limit on the switching speed of internal elements; even if CT is set to 0, response speeds remain at approximately 5 to 10 μ s. If CT is open, the device can be used as an adjustable-threshold noninverting comparator. If CT is low, the internal output-stage comparator is active, and the RESET output transistor is on. An external voltage must not be applied to this terminal due to the internal structure of the device. Therefore, drive the device using an open-collector transistor, FET, or tri-state buffer (in the low-level or high-impedance state).
GND	4	—	Ground Keep this terminal as low impedance as possible to reduce circuit noise.
NC	3, 6, 7	—	No internal connection.
RESET	8	O	Reset output This terminal can be connected directly to a system that resets in the active-low state. A pullup resistor usually is required because the output is an npn open-collector transistor. An additional transistor should be connected when the active-high reset or higher output current is required.
SENSE	2	I	Voltage sense This terminal has a threshold level of 500 mV. The sense voltage and hysteresis can be set at the same time when the two voltage-dividing resistors are connected. The reference voltage is temperature compensated to inhibit temperature drift in the threshold voltage within the operating temperature range.
V _{CC}	5	—	Power supply This terminal is used in an operating-voltage range of 1.8 V to 40 V.

6 Specifications

6.1 Absolute Maximum Ratings

over operating free-air temperature range (unless otherwise noted)⁽¹⁾

		MIN	MAX	UNIT
V _{CC}	Supply voltage ⁽²⁾		41	V
V _s	SENSE input voltage	-0.3	41	V
V _{OH}	Output voltage (off state)		41	V
I _{OL}	Output current (on state)		5	mA
T _J	Operating virtual-junction temperature		150	°C
T _{stg}	Storage temperature	-65	150	°C

- (1) Stresses beyond those listed under *Absolute Maximum Ratings* may cause permanent damage to the device. These are stress ratings only, which do not imply functional operation of the device at these or any other conditions beyond those indicated under *Recommended Operating Conditions*. Exposure to absolute-maximum-rated conditions for extended periods may affect device reliability.
- (2) All voltage values are with respect to the network ground terminal.

6.2 ESD Ratings

		VALUE	UNIT
V _(ESD)	Electrostatic discharge	Human-body model (HBM), per ANSI/ESDA/JEDEC JS-001 ⁽¹⁾	500
		Charged-device model (CDM), per JEDEC specification JESD22-C101 ⁽²⁾	1000

- (1) JEDEC document JEP155 states that 500-V HBM allows safe manufacturing with a standard ESD control process.
- (2) JEDEC document JEP157 states that 250-V CDM allows safe manufacturing with a standard ESD control process.

6.3 Recommended Operating Conditions

		MIN	MAX	UNIT
V _{CC}	Supply voltage	1.8	40	V
I _{OL}	Low-level output current		3	mA
T _A	Operating free-air temperature	-55	125	°C

6.4 Thermal Information

THERMAL METRIC ⁽¹⁾		TL7700-SEP	UNIT
		PW (TSSOP)	
		8 PINS	
R _{θJA}	Junction-to-ambient thermal resistance	172.9	°C/W
R _{θJC(top)}	Junction-to-case (top) thermal resistance	56.6	°C/W
R _{θJB}	Junction-to-board thermal resistance	101.2	°C/W
ψ _{JT}	Junction-to-top characterization parameter	5.2	°C/W
ψ _{JB}	Junction-to-board characterization parameter	99.6	°C/W

- (1) For more information about traditional and new thermal metrics, see the [Semiconductor and IC package thermal metrics](#) application report.

6.5 Electrical Characteristics

$V_{CC} = 3\text{ V}$ (unless otherwise noted)

PARAMETER		TEST CONDITIONS	T_A	MIN	TYP	MAX	UNIT
V_s	SENSE input voltage		-55°C to 125°C	490		520	mV
I_s	SENSE input current	$V_s = 0.4\text{ V}$	25°C		2.5		μA
			-55°C to 125°C	1		3.5	
I_{CC}	Supply current	$V_{CC} = 40\text{ V}$, $V_s = 0.6\text{ V}$, no load	25°C		0.6	1	mA
V_{OL}	Low-level output voltage	$I_{OL} = 1.5\text{ mA}$	25°C			0.4	V
		$I_{OL} = 3\text{ mA}$	25°C			0.8	
I_{OH}	High-level output current	$V_{OH} = 40\text{ V}$, $V_s = 0.6\text{ V}$	-55°C to 125°C			1	μA
I_{CT}	Timing-capacitor charge current	$V_s = 0.6\text{ V}$	25°C	8	15	19	μA

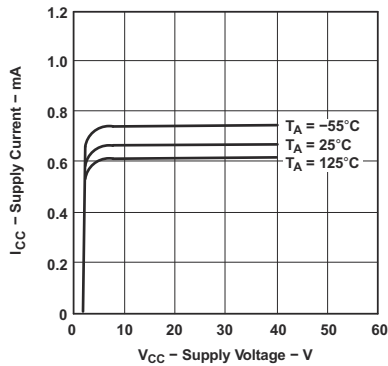
6.6 Switching Characteristics

$V_{CC} = 3\text{ V}$, $T_A = 25^\circ\text{C}$ (unless otherwise noted)

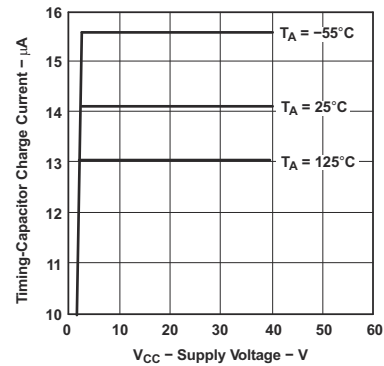
PARAMETER		TEST CONDITIONS	MIN	TYP	MAX	UNIT
t_{pi}	SENSE pulse duration	$C_T = 0.01\text{ }\mu\text{F}$ (see 7-5)	2			μs
t_{po}	Output pulse duration	$C_T = 0.01\text{ }\mu\text{F}$ (see 7-5)	0.5	1	1.5	ms
t_r	Output rise time	$C_T = 0.01\text{ }\mu\text{F}$, $R_L = 2.2\text{ k}\Omega$, $C_L = 100\text{ pF}$ (see 7-5)			15	μs
t_f	Output fall time	$C_T = 0.01\text{ }\mu\text{F}$, $R_L = 2.2\text{ k}\Omega$, $C_L = 100\text{ pF}$ (see 7-5)			0.5	μs
t_{pd}	Propagation delay time, SENSE to output	$C_T = 0.01\text{ }\mu\text{F}$ (see 7-5)			10	μs

6.7 Typical Characteristics

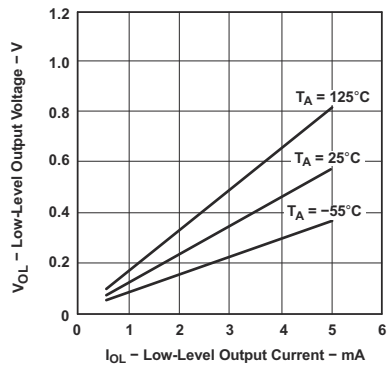
Data at high and low temperatures are applicable only within the recommended operating conditions.



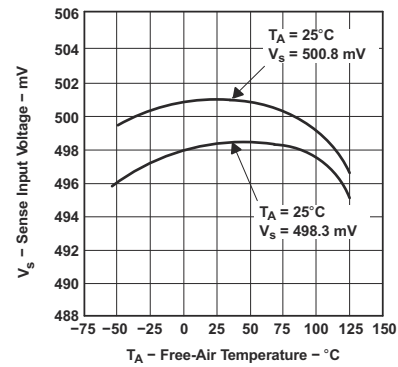
6-1. Supply Current vs Supply Voltage



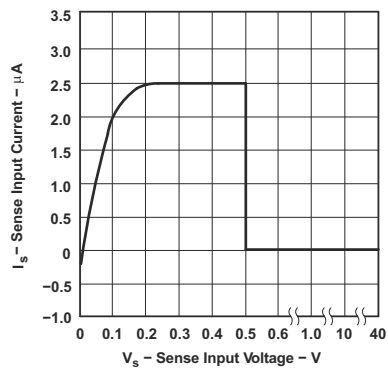
6-2. Timing Capacitor Charge Current vs Supply Voltage



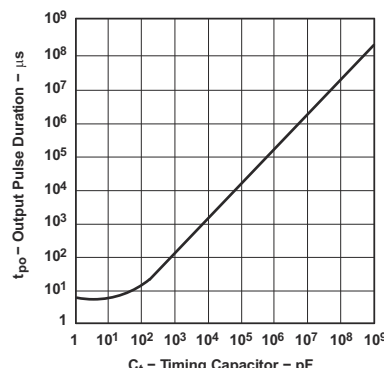
6-3. VOL vs IOL



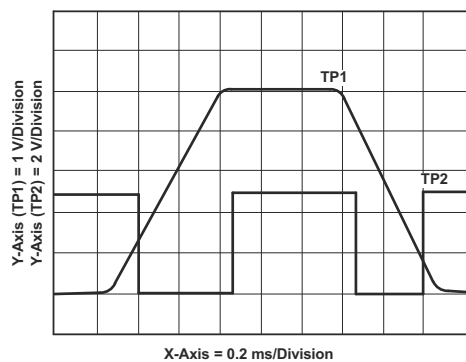
6-4. Sense Input Voltage vs Temperature



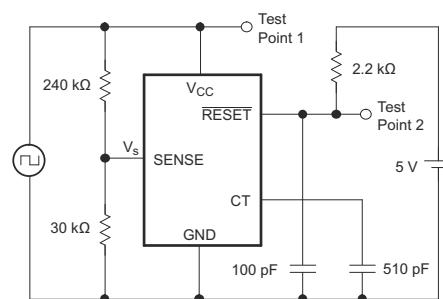
6-5. Sense Input Current vs Sense Input Voltage



6-6. Output Pulse Duration vs Timing Capacitor



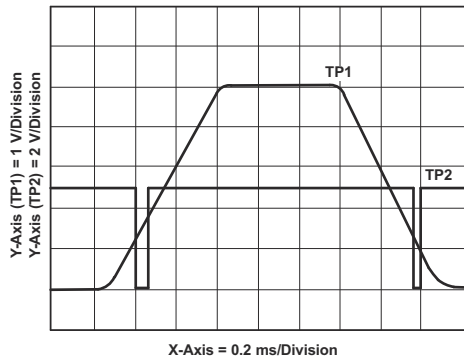
6-7. VCC vs Output Waveform 1 - See 6-8



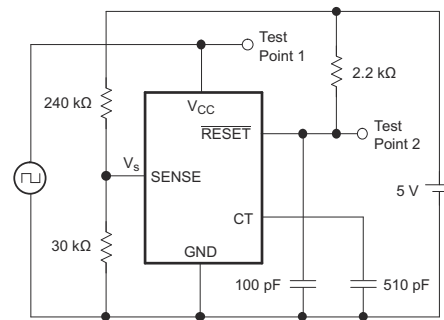
6-8. VCC vs Output Test Circuit 1

6.7 Typical Characteristics (continued)

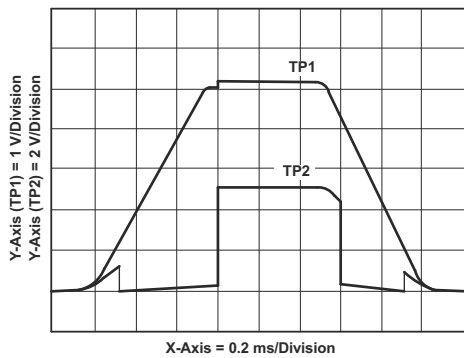
Data at high and low temperatures are applicable only within the recommended operating conditions.



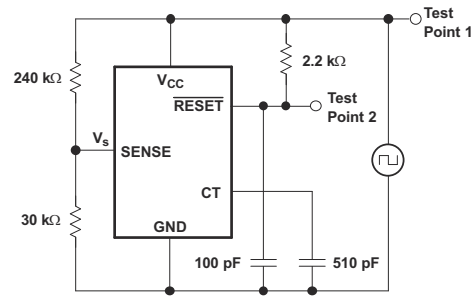
6-9. V_{CC} vs Output Waveform 2 - See 6-10



6-10. V_{CC} vs Output Test Circuit 2



6-11. V_{CC} vs Output Waveform 3 - See 6-12



6-12. V_{CC} vs Output Test Circuit 3

7 Parameter Measurement Information

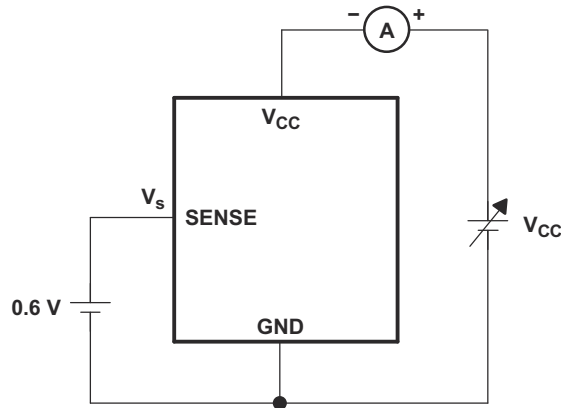


图 7-1. V_{CC} vs I_{CC} Measurement Circuit

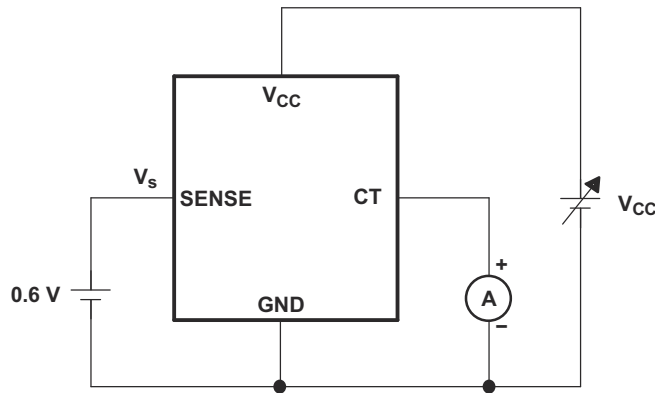


图 7-2. V_{CC} vs I_{CT} Measurement Circuit

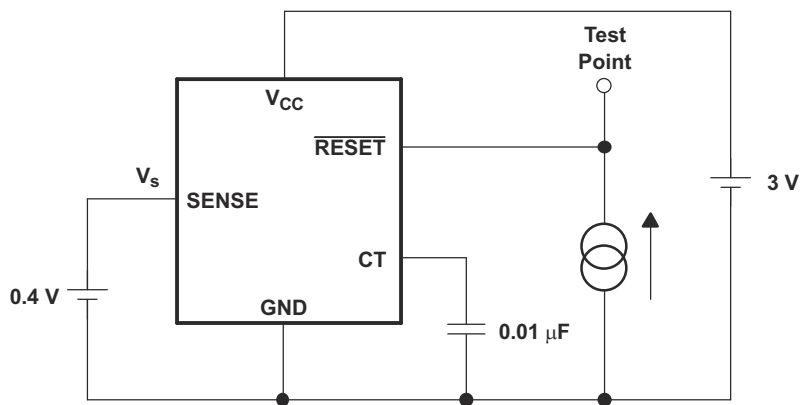
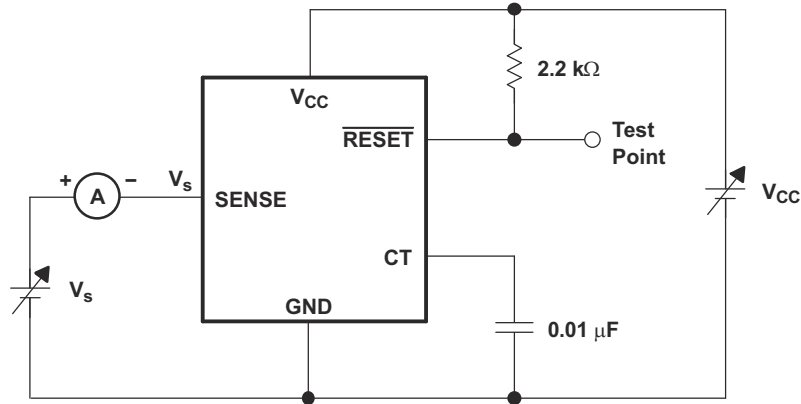
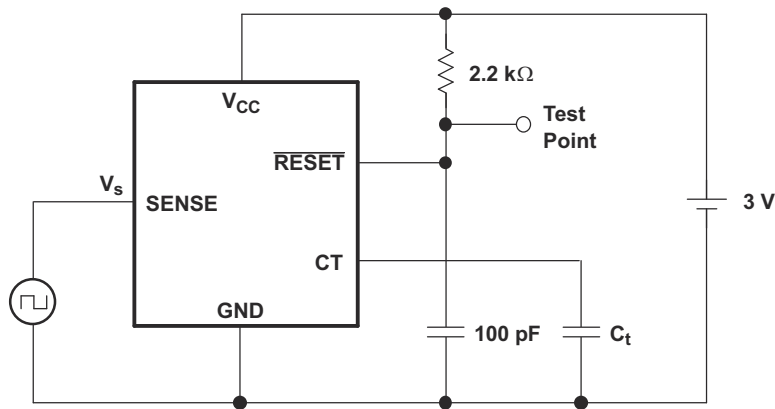


图 7-3. I_{OL} vs V_{OL} Measurement Circuit




7-4. V_s and I_s Characteristics Measurement Circuit




7-5. Switching Characteristics Measurement Circuit

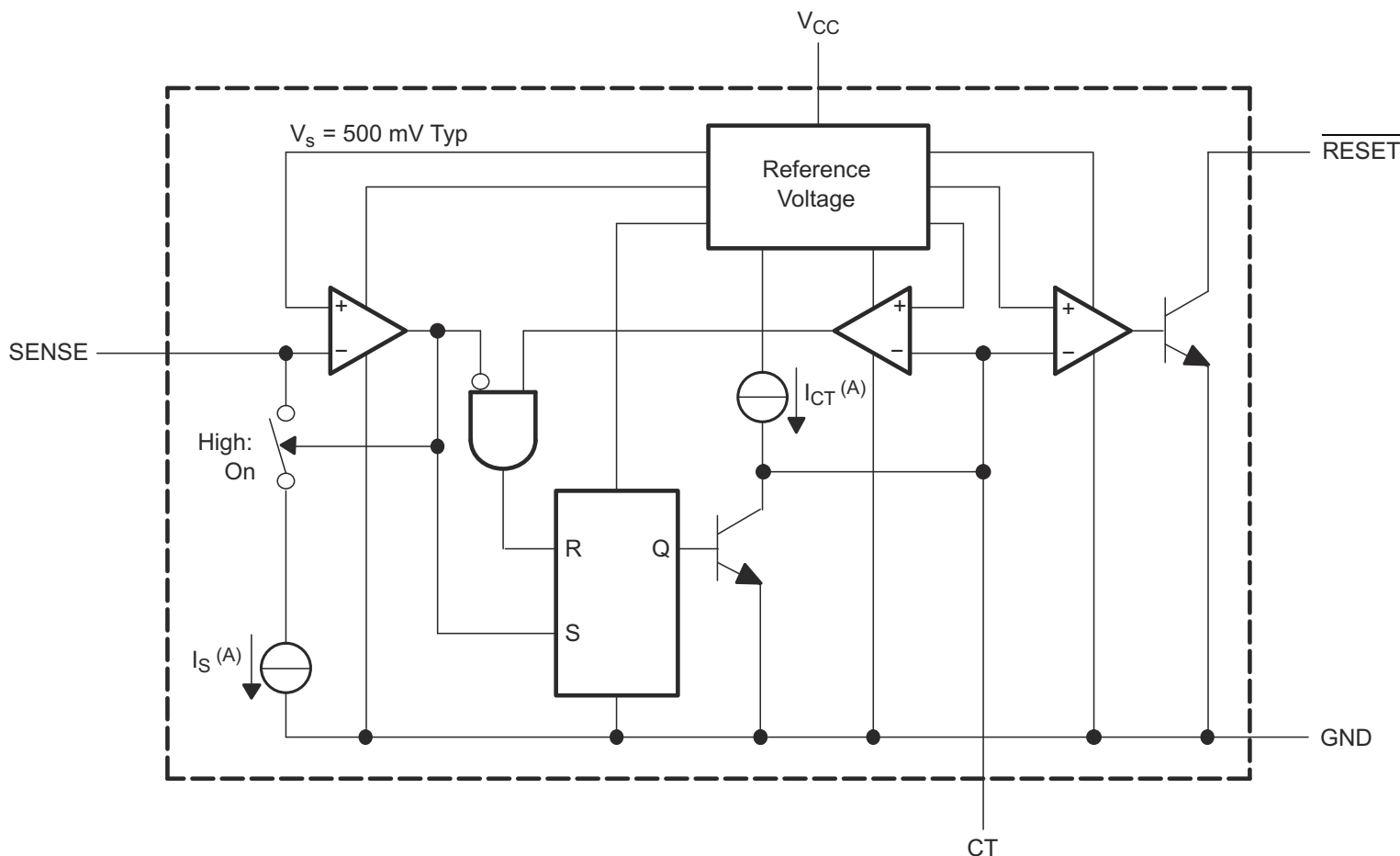
8 Detailed Description

8.1 Overview

The TL7700-SEP is a bipolar integrated circuit designed for use as a reset controller in microcomputer and microprocessor systems. The SENSE voltage can be set to any value greater than 0.5 V using two external resistors. The hysteresis value of the sense voltage also can be set by the same resistors. The device includes a precision voltage reference, fast comparator, timing generator, and output driver, so it can generate a power-on reset signal in a digital system.

The TL7700-SEP has an internal 1.5-V temperature-compensated voltage reference from which all function blocks are supplied. Circuit function is very stable, with supply voltage in the 1.8-V to 40-V range. Minimum supply current allows use with AC line operation and portable battery operation.

8.2 Functional Block Diagram



Copyright © 2016, Texas Instruments Incorporated

$I_{CT} = 15 \mu A$ (Typ), $I_S = 2.5 \mu A$ (Typ)

8.3 Feature Description

8.3.1 Sense-Voltage Setting

The typical SENSE terminal input voltage (V_s) of the TL7700-SEP is 500 mV. By using two external resistors, the circuit designer can set the desired sense voltage to any value above 500 mV. Based on the schematic shown in [Figure 8-1](#), the desired sense voltage ($V_{s'}$) is calculated as:

$$V_{s'} = V_s \times \frac{(R1 + R2)}{R2} \quad (1)$$

where:

- $V_s = 490 \text{ mV to } 520 \text{ mV}$ over temperature range

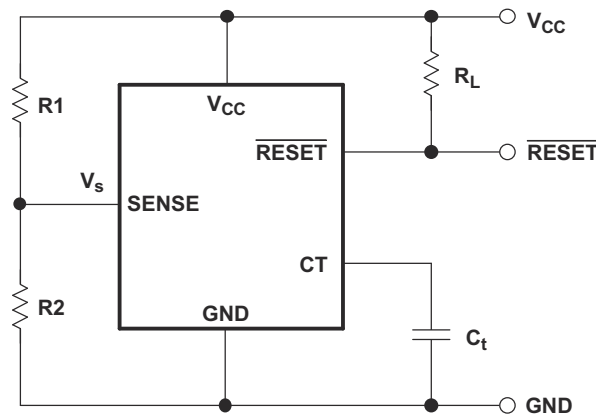


Figure 8-1. Setting the Sense Voltage

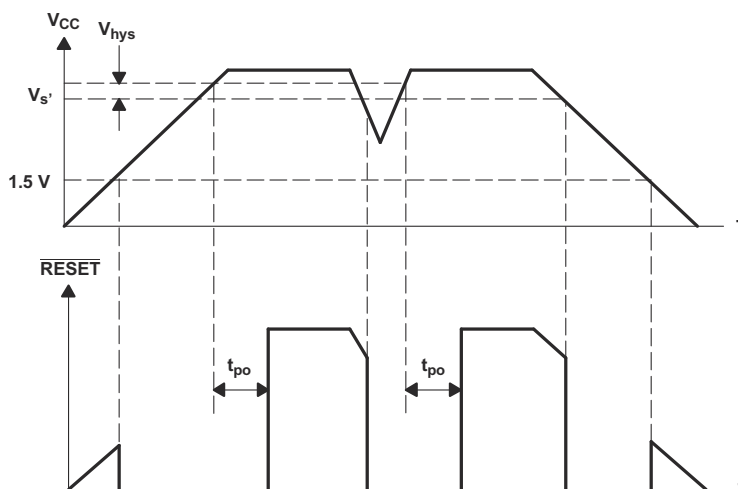
8.3.2 Sense-Voltage Hysteresis Setting

If the desired sense voltage (V_s') does not have hysteresis in it and the voltage on the sensing line contains ripples, the resetting of TL7700-SEP will be unstable. Hysteresis is added to the sense voltage to prevent such problems. As shown in [Figure 8-2](#), the hysteresis (V_{hys}) is added and the value is determined as:

$$V_{hys} = I_s \times R1 \quad (2)$$

where

- $I_s = 1 \mu\text{A}$ to $3.5 \mu\text{A}$ over temperature range



The desired sense voltage (V_s') is different from the SENSE input voltage (V_s). V_s' is typically 500 mV for triggering.

Figure 8-2. V_{CC}-RESET Response

8.3.3 Output Pulse-Duration Setting

Constant-current charging starts on the timing capacitor when the sensing-line voltage reaches the TL7700-SEP sense voltage. When the capacitor voltage exceeds the threshold level of the output drive comparator, $\overline{\text{RESET}}$ changes from a low to a high level. The output pulse duration is the time between the point when the SENSE-pin voltage exceeds the threshold level and the point when the $\overline{\text{RESET}}$ output changes from a low level to a high level. When the TL7700-SEP is used for system power-on reset, the output pulse duration, t_{po} , must be set longer than the power rise time. The value of t_{po} in seconds is:

$$t_{po} = C_T \frac{\Delta V_{CT}}{I_{CT}} \quad (3)$$

where:

- C_T is the timing capacitor in farads
- ΔV_{CT} is the change in voltage at the CT pin (1.5-V reference voltage)
- I_{CT} is the timing capacitor charge current (typically $15 \mu\text{A}$)

There is a limit on the device response speed. Even if $C_t = 0$, t_{po} is not 0, but approximately $5 \mu\text{s}$ to $10 \mu\text{s}$. Therefore, when the TL7700-SEP is used as a comparator with hysteresis without connecting C_t , switching speeds (t_r/t_f , t_{po}/t_{pd} , and so forth) must be considered.

8.4 Device Functional Modes

[Figure 8-2](#) shows how the $\overline{\text{RESET}}$ output pin responds to a change in the voltage at the SENSE pin. When the SENSE pin drops below 500 mV, the $\overline{\text{RESET}}$ pin is pulled low.

9 Application and Implementation

注

以下のアプリケーション情報は、TI の製品仕様に含まれるものではなく、TI ではその正確性または完全性を保証いたしません。個々の目的に対する製品の適合性については、お客様の責任で判断していただくこととなります。お客様は自身の設計実装を検証しテストすることで、システムの機能を確認する必要があります。

9.1 Application Information

The TL7700-SEP supply-voltage supervisor allows for any voltage greater than 500 mV to be monitored. This flexibility allows it to be used in many applications from FPGAs and microcontrollers to supply monitoring.

9.2 Typical Application

図 9-1 shows an application where the TL7700-SEP device is being used to sense the voltage supply for a microcontroller that is supplied with 5 V. If the sense voltage drops below 4.5 V, the RESET pin is pulled LOW, signaling the microcontroller to reset.

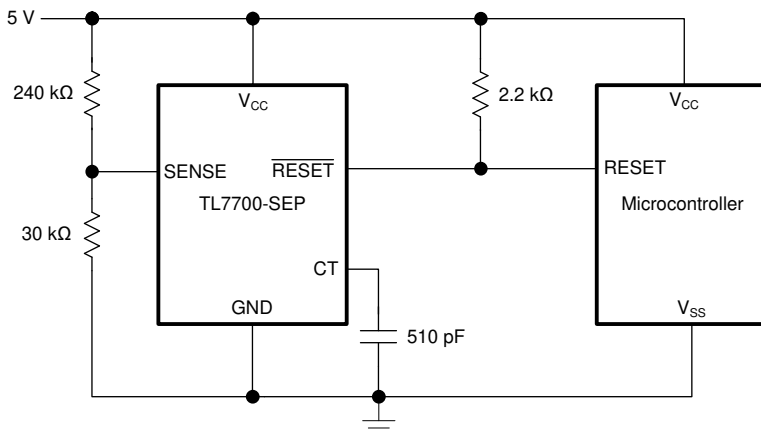


図 9-1. 5-V Supply Voltage Supervision

9.2.1 Design Requirements

- When the TL7700-SEP is used for system power-on reset, the output pulse duration, t_{po} , must be set longer than the power rise time.
- The RESET output is an open-collector output, so a pullup resistor is required.

9.2.2 Detailed Design Procedure

The SENSE terminal input voltage, V_s , for TL7700-SEP is typically 500 mV. By using two external resistors, any sense voltage over 500 mV can be sensed.

Resistor R1 should be selected first to set the desired hysteresis. セクション 8.3.2 provides detailed information on how to set the hysteresis. For this application, a 240-kΩ resistor is selected.

$$V_{hys} = I_s \times R1 \quad (4)$$

$$V_{hys} = 2.5 \mu A \times 240 k\Omega = 0.6 V \quad (5)$$

Resistor R2 should then be selected based on the R1 value and the desired sense voltage (V_s). セクション 8.3.1 describes how to set V_s and provides an equation. In this example, V_s is set to 4.5 V by using the value of R1 selected earlier and using a 30-kΩ resistor for R2.

$$V_{s'} = V_s \times \frac{(R1 + R2)}{R2} \tag{6}$$

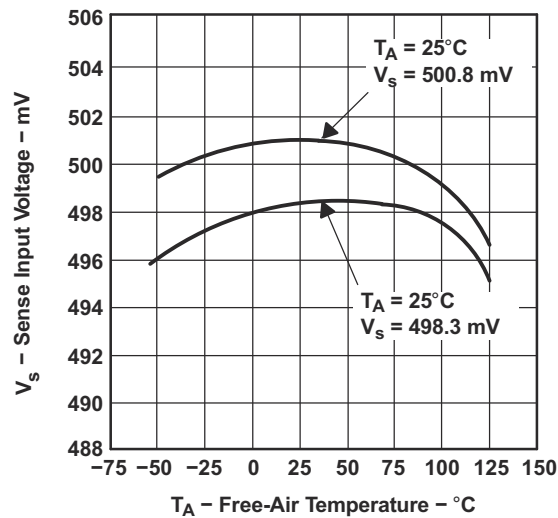
$$V_{s'} = 0.5 V \times \frac{(240 k\Omega + 30 k\Omega)}{30 k\Omega} = 4.5 V \tag{7}$$

Finally, the output pulse duration (t_{pO}) is set using the equation found in [セクション 8.3.3](#).

$$t_{pO} = C_T \frac{\Delta V_{CT}}{I_{CT}} \tag{8}$$

$$t_{pO} = 510 \text{ pF} \frac{1.5 V}{15 \mu A} = 51 \mu s \tag{9}$$

9.2.3 Application Curve



☒ 9-2. SENSE Input Voltage vs Temperature

10 Power Supply Recommendations

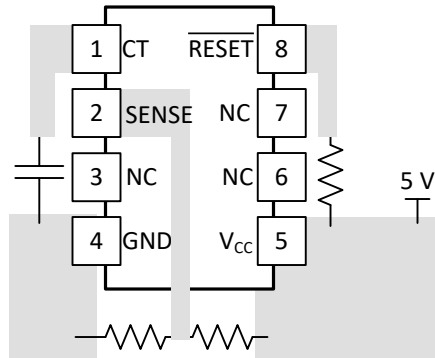
The TL7700-SEP device will operate within the supply range specified in [セクション 6.3](#). The device risks permanent damage over the voltage specified in [セクション 6.1](#).

11 Layout

11.1 Layout Guidelines

As the $\overline{\text{RESET}}$ pin is an open collector output, a pullup resistor is required to ensure the output is high when the output transistor is off. The SENSE resistors should be placed as close to the SENSE pin as possible to avoid introducing noise to the pin.

11.2 Layout Example



11-1. TL7700-SEP Layout

12 Device and Documentation Support

12.1 ドキュメントの更新通知を受け取る方法

ドキュメントの更新についての通知を受け取るには、ti.com のデバイス製品フォルダを開いてください。「更新の通知を受け取る」をクリックして登録すると、変更されたすべての製品情報に関するダイジェストを毎週受け取れます。変更の詳細については、修正されたドキュメントに含まれている改訂履歴をご覧ください。

12.2 サポート・リソース

TI E2E™ サポート・フォーラムは、エンジニアが検証済みの回答と設計に関するヒントをエキスパートから迅速かつ直接得ることができる場所です。既存の回答を検索したり、独自の質問をしたりすることで、設計に必要な支援を迅速に得ることができます。

リンクされているコンテンツは、該当する貢献者により、現状のまま提供されるものです。これらは TI の仕様を構成するものではなく、必ずしも TI の見解を反映したものではありません。TI の[使用条件](#)を参照してください。

12.3 Trademarks

TI E2E™ is a trademark of Texas Instruments.

すべての商標は、それぞれの所有者に帰属します。

12.4 静電気放電に関する注意事項



この IC は、ESD によって破損する可能性があります。テキサス・インスツルメンツは、IC を取り扱う際には常に適切な注意を払うことを推奨します。正しい取り扱いおよび設置手順に従わない場合、デバイスを破損するおそれがあります。

ESD による破損は、わずかな性能低下からデバイスの完全な故障まで多岐にわたります。精密な IC の場合、パラメータがわずかに変化するだけで公表されている仕様から外れる可能性があるため、破損が発生しやすくなっています。

12.5 用語集

[テキサス・インスツルメンツ用語集](#)

この用語集には、用語や略語の一覧および定義が記載されています。

13 Mechanical, Packaging, and Orderable Information

The following pages include mechanical, packaging, and orderable information. This information is the most current data available for the designated devices. This data is subject to change without notice and revision of this document. For browser-based versions of this data sheet, refer to the left-hand navigation.

PACKAGING INFORMATION

Orderable Device	Status (1)	Package Type	Package Drawing	Pins	Package Qty	Eco Plan (2)	Lead finish/ Ball material (6)	MSL Peak Temp (3)	Op Temp (°C)	Device Marking (4/5)	Samples
TL7700CMPWPSEP	ACTIVE	TSSOP	PW	8	150	RoHS & Green	NIPDAU	Level-2-260C-1 YEAR	-55 to 125	7700SP	Samples
TL7700CMPWTPSEP	ACTIVE	TSSOP	PW	8	250	RoHS & Green	NIPDAU	Level-2-260C-1 YEAR	-55 to 125	7700SP	Samples
V62/19602-01XE	ACTIVE	TSSOP	PW	8	250	RoHS & Green	NIPDAU	Level-2-260C-1 YEAR	-55 to 125	7700SP	Samples
V62/19602-01XE-T	ACTIVE	TSSOP	PW	8	150	RoHS & Green	NIPDAU	Level-2-260C-1 YEAR	-55 to 125	7700SP	Samples

(1) The marketing status values are defined as follows:

ACTIVE: Product device recommended for new designs.

LIFEBUY: TI has announced that the device will be discontinued, and a lifetime-buy period is in effect.

NRND: Not recommended for new designs. Device is in production to support existing customers, but TI does not recommend using this part in a new design.

PREVIEW: Device has been announced but is not in production. Samples may or may not be available.

OBSELETE: TI has discontinued the production of the device.

(2) **RoHS:** TI defines "RoHS" to mean semiconductor products that are compliant with the current EU RoHS requirements for all 10 RoHS substances, including the requirement that RoHS substance do not exceed 0.1% by weight in homogeneous materials. Where designed to be soldered at high temperatures, "RoHS" products are suitable for use in specified lead-free processes. TI may reference these types of products as "Pb-Free".

RoHS Exempt: TI defines "RoHS Exempt" to mean products that contain lead but are compliant with EU RoHS pursuant to a specific EU RoHS exemption.

Green: TI defines "Green" to mean the content of Chlorine (Cl) and Bromine (Br) based flame retardants meet JS709B low halogen requirements of <=1000ppm threshold. Antimony trioxide based flame retardants must also meet the <=1000ppm threshold requirement.

(3) MSL, Peak Temp. - The Moisture Sensitivity Level rating according to the JEDEC industry standard classifications, and peak solder temperature.

(4) There may be additional marking, which relates to the logo, the lot trace code information, or the environmental category on the device.

(5) Multiple Device Markings will be inside parentheses. Only one Device Marking contained in parentheses and separated by a "-" will appear on a device. If a line is indented then it is a continuation of the previous line and the two combined represent the entire Device Marking for that device.

(6) Lead finish/Ball material - Orderable Devices may have multiple material finish options. Finish options are separated by a vertical ruled line. Lead finish/Ball material values may wrap to two lines if the finish value exceeds the maximum column width.

Important Information and Disclaimer:The information provided on this page represents TI's knowledge and belief as of the date that it is provided. TI bases its knowledge and belief on information provided by third parties, and makes no representation or warranty as to the accuracy of such information. Efforts are underway to better integrate information from third parties. TI has taken and

continues to take reasonable steps to provide representative and accurate information but may not have conducted destructive testing or chemical analysis on incoming materials and chemicals. TI and TI suppliers consider certain information to be proprietary, and thus CAS numbers and other limited information may not be available for release.

In no event shall TI's liability arising out of such information exceed the total purchase price of the TI part(s) at issue in this document sold by TI to Customer on an annual basis.

TAPE AND REEL INFORMATION



QUADRANT ASSIGNMENTS FOR PIN 1 ORIENTATION IN TAPE



*All dimensions are nominal

Device	Package Type	Package Drawing	Pins	SPQ	Reel Diameter (mm)	Reel Width W1 (mm)	A0 (mm)	B0 (mm)	K0 (mm)	P1 (mm)	W (mm)	Pin1 Quadrant
TL7700CMPWTPSEP	TSSOP	PW	8	250	180.0	12.4	7.0	3.6	1.6	8.0	12.0	Q1

TAPE AND REEL BOX DIMENSIONS


*All dimensions are nominal

Device	Package Type	Package Drawing	Pins	SPQ	Length (mm)	Width (mm)	Height (mm)
TL7700CMPWTPSEP	TSSOP	PW	8	250	210.0	185.0	35.0

TUBE


*All dimensions are nominal

Device	Package Name	Package Type	Pins	SPQ	L (mm)	W (mm)	T (μm)	B (mm)
TL7700CMPWPSEP	PW	TSSOP	8	150	530	10.2	3600	3.5
V62/19602-01XE-T	PW	TSSOP	8	150	530	10.2	3600	3.5

EXAMPLE BOARD LAYOUT

PW0008A

TSSOP - 1.2 mm max height

SMALL OUTLINE PACKAGE



LAND PATTERN EXAMPLE
SCALE:10X



SOLDER MASK DETAILS
NOT TO SCALE

4221848/A 02/2015

NOTES: (continued)

- 6. Publication IPC-7351 may have alternate designs.
- 7. Solder mask tolerances between and around signal pads can vary based on board fabrication site.

EXAMPLE STENCIL DESIGN

PW0008A

TSSOP - 1.2 mm max height

SMALL OUTLINE PACKAGE



SOLDER PASTE EXAMPLE
BASED ON 0.125 mm THICK STENCIL
SCALE:10X

4221848/A 02/2015

NOTES: (continued)

8. Laser cutting apertures with trapezoidal walls and rounded corners may offer better paste release. IPC-7525 may have alternate design recommendations.
9. Board assembly site may have different recommendations for stencil design.

重要なお知らせと免責事項

TI は、技術データと信頼性データ (データシートを含みます)、設計リソース (リファレンス・デザインを含みます)、アプリケーションや設計に関する各種アドバイス、Web ツール、安全性情報、その他のリソースを、欠陥が存在する可能性のある「現状のまま」提供しており、商品性および特定目的に対する適合性の黙示保証、第三者の知的財産権の非侵害保証を含むいかなる保証も、明示的または黙示的にかかわらず拒否します。

これらのリソースは、TI 製品を使用する設計の経験を積んだ開発者への提供を意図したものです。(1) お客様のアプリケーションに適した TI 製品の選定、(2) お客様のアプリケーションの設計、検証、試験、(3) お客様のアプリケーションに該当する各種規格や、その他のあらゆる安全性、セキュリティ、規制、または他の要件への確実な適合に関する責任を、お客様のみが単独で負うものとし、

上記の各種リソースは、予告なく変更される可能性があります。これらのリソースは、リソースで説明されている TI 製品を使用するアプリケーションの開発の目的でのみ、TI はその使用をお客様に許諾します。これらのリソースに関して、他の目的で複製することや掲載することは禁止されています。TI や第三者の知的財産権のライセンスが付与されている訳ではありません。お客様は、これらのリソースを自身で使用した結果発生するあらゆる申し立て、損害、費用、損失、責任について、TI およびその代理人を完全に補償するものとし、TI は一切の責任を拒否します。

TI の製品は、[TI の販売条件](#)、または [ti.com](https://www.ti.com) やかかる TI 製品の関連資料などのいずれかを通じて提供する適用可能な条項の下で提供されています。TI がこれらのリソースを提供することは、適用される TI の保証または他の保証の放棄の拡大や変更を意味するものではありません。

お客様がいかなる追加条項または代替条項を提案した場合でも、TI はそれらに異議を唱え、拒否します。

郵送先住所 : Texas Instruments, Post Office Box 655303, Dallas, Texas 75265
Copyright © 2023, Texas Instruments Incorporated