

# THVD1330 IEC ESD 保護付き、32Mbps、3.3V、RS485 トランシーバ

## 1 特長

- TIA/EIA-485A 規格の要件に適合またはそれを上回る性能
- 電源電圧: 3V~3.6V
- 半二重 RS-422/RS-485
- 高速動作: 最大データ・レート 32Mbps
- バス I/O 保護
  - ±16kV HBM ESD
  - ±8kV IEC 61000-4-2 接触放電
- 拡張産業用温度範囲に対応: -40°C~125°C
- バスの同相範囲: -7V~12V
- 低いシャットダウン電流: 5nA (最大値)
- グリッチのない電源投入 / 切断によるホット・プラグイン機能
- 開放、短絡、アイドルに対するバスのフェイルセーフ・レシーバ

## 2 アプリケーション

- ワイヤレス・インフラ
- ファクトリ・オートメーション / 制御
- ビル・オートメーション
- グリッド・インフラストラクチャ

## 3 概要

THVD1330 は、産業用アプリケーション向けの堅牢な半二重 RS-485 トランシーバです。バスのピンは、高レベルの IEC 接触放電 ESD イベントの影響を受けないため、システム・レベルの保護部品を追加する必要がなくなります。トランスミッタとレシーバはどちらも、最大 32Mbps の信号速度で動作できます。このデバイスは、伝搬遅延の変動が小さくなるよう最適化されているため、ベースバンド・ユニット (BBU) やリモート無線ユニット (RRU) など時間の制約が厳しいアプリケーションに対応しています。

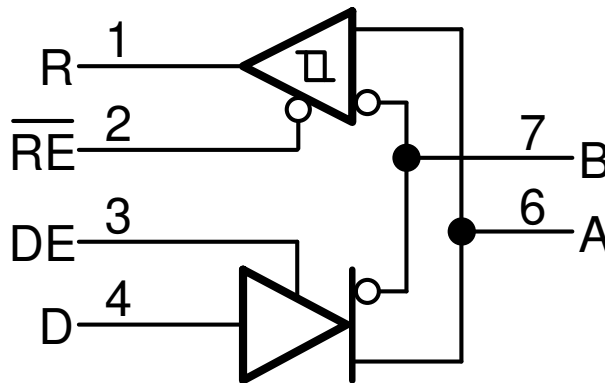
このデバイスは、3.3V の単電源で動作します。同相電圧範囲が広く、バスのピンでの入力レークが小さいため、THVD1330 は長いケーブルを使用するマルチポイントのアプリケーションに適しています。

THVD1330 は、業界標準の 8 ピン SOIC パッケージで供給され、ドロップイン互換性があります。-40°C~125°C での動作が規定されています。

### パッケージ情報

部品番号	パッケージ <sup>(1)</sup>	パッケージ・サイズ <sup>(2)</sup>
THVD1330	SOIC (D, 8)	4.9mm × 6mm

- (1) 利用可能なすべてのパッケージについては、データシートの末尾にある注文情報を参照してください。
- (2) パッケージ・サイズ (長さ×幅) は公称値であり、該当する場合はピンも含まれます。



概略回路図



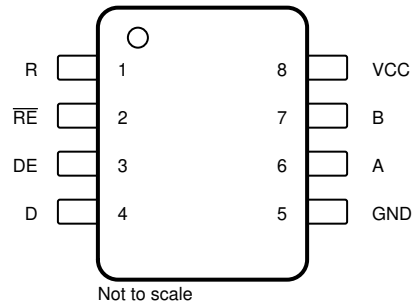
## Table of Contents

<b>1 特長</b> .....	<b>1</b>	8.3 Feature Description.....	<b>12</b>
<b>2 アプリケーション</b> .....	<b>1</b>	8.4 Device Functional Modes.....	<b>12</b>
<b>3 概要</b> .....	<b>1</b>	<b>9 Application and Implementation</b> .....	<b>14</b>
<b>4 Revision History</b> .....	<b>2</b>	9.1 Application Information.....	<b>14</b>
<b>5 Pin Configuration and Functions</b> .....	<b>3</b>	9.2 Typical Application.....	<b>14</b>
<b>6 Specifications</b> .....	<b>4</b>	9.3 Power Supply Recommendations.....	<b>19</b>
6.1 Absolute Maximum Ratings.....	<b>4</b>	9.4 Layout.....	<b>20</b>
6.2 ESD Ratings.....	<b>4</b>	<b>10 Device and Documentation Support</b> .....	<b>21</b>
6.3 Recommended Operating Conditions.....	<b>4</b>	10.1 サード・パーティ製品に関する免責事項.....	<b>21</b>
6.4 Thermal Information.....	<b>5</b>	10.2 Device Support.....	<b>21</b>
6.5 Electrical Characteristics.....	<b>5</b>	10.3 ドキュメントの更新通知を受け取る方法.....	<b>21</b>
6.6 Switching Characteristics.....	<b>6</b>	10.4 サポート・リソース.....	<b>21</b>
6.7 Typical Characteristics.....	<b>8</b>	10.5 商標.....	<b>21</b>
<b>7 Parameter Measurement Information</b> .....	<b>9</b>	10.6 静電気放電に関する注意事項.....	<b>21</b>
<b>8 Detailed Description</b> .....	<b>12</b>	10.7 用語集.....	<b>21</b>
8.1 Overview.....	<b>12</b>	<b>11 Mechanical, Packaging, and Orderable</b>	
8.2 機能ブロック図.....	<b>12</b>	<b>Information</b> .....	<b>21</b>

## 4 Revision History

Date	Revision	Notes
September 2023	*	Initial release

## 5 Pin Configuration and Functions




**5-1. D Package, 8-Pin SOIC  
(Top View)**

**表 5-1. Pin Functions**

PIN		TYPE	DESCRIPTION
NAME	NO.		
R	1	Digital output	Receive data output
RE	2	Digital input	Receiver enable, active low (internal pull-up)
DE	3	Digital input	Driver enable, active high (internal pull-down)
D	4	Digital input	Driver data input
GND	5	Ground	Local device ground
A	6	Bus input/output	Bus I/O port, A (complementary to B)
B	7	Bus input/output	Bus I/O port, B (complementary to A)
V <sub>CC</sub>	8	Power	3.3 V supply

## 6 Specifications

### 6.1 Absolute Maximum Ratings

(1) (2)

		MIN	MAX	UNIT
Supply voltage	$V_{CC}$	-0.3	6	V
Bus voltage	Voltage at any bus pin (A or B)	-9	14	V
Input voltage	Voltage at any logic pin (D, DE or $\overline{RE}$ )	-0.5	6	V
Receiver output current	$I_O$	-11	11	mA
Junction temperature, $T_J$			170	°C
Storage temperature, $T_{stg}$		-55	145	°C

- (1) Operation outside the Absolute Maximum Ratings may cause permanent device damage. Absolute Maximum Ratings do not imply functional operation of the device at these or any other conditions beyond those listed under Recommended Operating Conditions. If used outside the Recommended Operating Conditions but within the Absolute Maximum Ratings, the device may not be fully functional, and this may affect device reliability, functionality, performance, and shorten the device lifetime.
- (2) All voltage values are with respect to Ground terminal

### 6.2 ESD Ratings

			VALUE	UNIT	
$V_{(ESD)}$	Electrostatic discharge	Contact discharge, per IEC61000-4-2	±8,000	V	
		Human-body model (HBM), per ANSI/ESDA/JEDEC JS-001 <sup>(1)</sup>	Bus terminals and GND		±16,000
			All pins except bus terminals and GND		±4,000
		Charged-device model (CDM), per JEDEC specification JESD22-C101 <sup>(2)</sup>	±1,000		

- (1) JEDEC document JEP155 states that 500-V HBM allows safe manufacturing with a standard ESD control process.
- (2) JEDEC document JEP157 states that 250-V CDM allows safe manufacturing with a standard ESD control process.

### 6.3 Recommended Operating Conditions

over operating free-air temperature range (unless otherwise noted)

		MIN	NOM	MAX	UNIT
$V_{CC}$	Supply voltage	3	3.3	3.6	V
$V_I$	Input voltage at any bus terminal (separately or common mode) <sup>(1)</sup>	-7		12	V
$V_{IH}$	High-level input voltage (driver, driver enable, and receiver enable inputs)	2		$V_{CC}$	V
$V_{IL}$	Low-level input voltage (driver, driver enable, and receiver enable inputs)	0		0.8	V
$V_{ID}$	Differential input voltage	-12		12	V
$I_O$	Output current, driver	-60		60	mA
$I_{OR}$	Output current, receiver	-8		8	mA
$R_L$	Differential load resistance	54	60		Ω
$1/t_{UI}$	Signaling rate			32	Mbps
$T_A$	Operating ambient temperature	-40		125	°C

- (1) The algebraic convention, in which the least positive (most negative) limit is designated as minimum is used in this data sheet.

## 6.4 Thermal Information

THERMAL METRIC <sup>(1)</sup>		THVD1330	
		D (SOIC)	
		8 PINS	
			UNIT
R <sub>θJA</sub>	Junction-to-ambient thermal resistance	116.7	°C/W
R <sub>θJC(top)</sub>	Junction-to-case (top) thermal resistance	56.3	°C/W
R <sub>θJB</sub>	Junction-to-board thermal resistance	63.4	°C/W
Ψ <sub>JT</sub>	Junction-to-top characterization parameter	8.8	°C/W
Ψ <sub>JB</sub>	Junction-to-board characterization parameter	62.6	°C/W

(1) For more information about traditional and new thermal metrics, see the [Semiconductor and IC Package Thermal Metrics](#) application report.

## 6.5 Electrical Characteristics

over operating free-air temperature range, Typical values are at 25 °C and 3.3 V supply (unless otherwise noted)

PARAMETER		TEST CONDITIONS		MIN	TYP	MAX	UNIT
<b>Driver</b>							
V <sub>OD</sub>	Driver differential output voltage magnitude	R <sub>L</sub> = 60 Ω, -7 V ≤ V <sub>test</sub> ≤ 12 V, See <a href="#">Figure 6-1</a>		1.5			V
		R <sub>L</sub> = 54 Ω, See <a href="#">Figure 6-2</a>		1.5			V
		No load		2		3.6	V
Δ V <sub>OD</sub>	Change in differential output voltage	R <sub>L</sub> = 54 Ω, See <a href="#">Figure 6-2</a>		-50		50	mV
V <sub>OC</sub>	Common-mode output voltage	R <sub>L</sub> = 54 Ω, See <a href="#">Figure 6-2</a>		1.4		2.5	V
V <sub>OC(SS)</sub>	Change in steady-state common-mode output voltage	R <sub>L</sub> = 54 Ω, See <a href="#">Figure 6-2</a>		-50		50	mV
V <sub>OC(pp)</sub>	Peak-to-peak common-mode output voltage	R <sub>L</sub> = 54 Ω, C <sub>L</sub> = 50 pF, PRR = 500 kHz, See <a href="#">Figure 6-2</a>			400		mV
I <sub>OS</sub>	Short-circuit output current	DE = V <sub>CC</sub> , -7 V < V <sub>O</sub> < 12 V, Voltage applied on one bus line with other bus line floating		-250		250	mA
C <sub>OD</sub>	Differential output capacitance	V <sub>I</sub> = 0.4 sin(4E6πt) + 0.5 V, DE = 0			16		pF
<b>Receiver</b>							
I <sub>I</sub>	Bus input current	V <sub>CC</sub> = 3.6 V	V <sub>I</sub> = 12 V	200	500		μA
			V <sub>I</sub> = -7 V	-400	-200		
		V <sub>CC</sub> = 0 V	V <sub>I</sub> = 12 V	250	500		
			V <sub>I</sub> = -7 V	-400	-150		
V <sub>TH+</sub>	Positive-going input-threshold voltage <sup>(1)</sup>	Over common-mode range of (+12V,-7V)		-75	-20		mV
V <sub>TH-</sub>	Negative-going input-threshold voltage <sup>(1)</sup>			-200	-125		mV
V <sub>HYS</sub>	Input hysteresis			50			mV
V <sub>OH</sub>	Output high voltage	I <sub>OH</sub> = -8 mA		2.4			V
V <sub>OL</sub>	Output low voltage	I <sub>OL</sub> = 8 mA				0.4	V
I <sub>OZ</sub>	Output high-impedance current	V <sub>O</sub> = 0 V or V <sub>CC</sub> , RE = V <sub>CC</sub>		-1		1	μA
C <sub>ID</sub>	Differential input capacitance	V <sub>I</sub> = 0.4 sin(4E6πt) + 0.5 V, DE = 0			15		pF
<b>Logic</b>							

## 6.5 Electrical Characteristics (続き)

over operating free-air temperature range, Typical values are at 25 °C and 3.3 V supply (unless otherwise noted)

PARAMETER		TEST CONDITIONS	MIN	TYP	MAX	UNIT
$I_{IN}$	Input current DE	$V_{IN} = 5V$	0		100	$\mu A$
	Input current DE	$V_{IN} = 0V$	0		100	$\mu A$
	Input current D	$V_{IN} = 5V$	-100		0	$\mu A$
	Input current D	$V_{IN} = 0V$	-100		0	$\mu A$
	Input current ( $\overline{RE}$ )	$V_{IN} = 2V$	-30		0	$\mu A$
$V_{IN} = 0.8V$		-30		0	$\mu A$	
<b>Thermal Protection</b>						
$T_{SHDN}$	Thermal shutdown threshold	Temperature rising	150	170		$^{\circ}C$
$T_{HYS}$	Thermal shutdown hysteresis			10		$^{\circ}C$
<b>Supply</b>						
$I_{CC}$	Supply current (quiescent)	Driver and receiver enabled	$RE = 0V, DE = V_{CC},$ No load		2	$mA$
		Driver enabled, receiver disabled	$RE = V_{CC}, DE = V_{CC},$ No load		1.5	$mA$
		Driver disabled, receiver enabled	$RE = 0V, DE = 0V,$ No load		1.5	$mA$
		Driver and receiver disabled	$RE = V_{CC}, DE = 0V,$ $D = V_{CC},$ No load		5	$\mu A$

(1) Under any specific conditions,  $V_{TH+}$  is assured to be at least  $V_{HYS}$  higher than  $V_{TH-}$ .

## 6.6 Switching Characteristics

Over recommended operating conditions

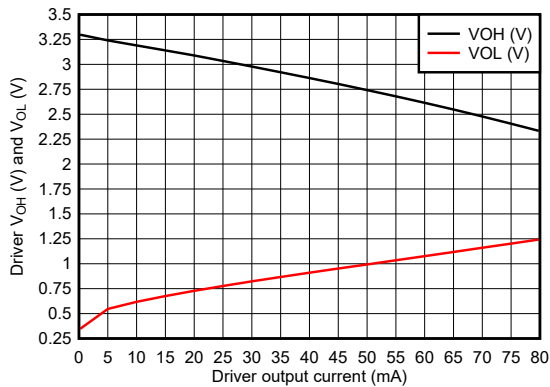
PARAMETER		TEST CONDITIONS	MIN	TYP	MAX	UNIT	
<b>Driver: 32Mbps</b>							
$t_r, t_f$	Differential output rise/fall time	$R_L = 54\Omega, C_L = 50pF,$ PRR=500KHz, Across full range of process, voltage and temperature	See Figure 6-3	3	4.5	10	ns
$t_{PHL}, t_{PLH}$	Propagation delay			5	8.5	16	ns
$t_{SK(P)}$	Pulse skew, $ t_{PHL} - t_{PLH} $					1.5	ns
$t_{SK(PP)}$	Part to part skew					6	ns
$t_{PHL}, t_{PLH}$	Propagation delay	$R_L = 54\Omega, C_L = 50pF, V_{CC} = 3.3V \pm 3\%, T_A = -20^{\circ}C$ to $85^{\circ}C$		6	13.8	ns	
$t_{PHZ}$	Disable time	PRR = 500KHz, $R_L = 110\Omega,$ $C_L = 50pF$			25	ns	
$t_{PLZ}$	Disable time	PRR = 500KHz, $R_L = 110\Omega,$ $C_L = 50pF$			26	ns	
$t_{PZH}$	Enable time	$RE = 0V, PRR = 500KHz, R_L = 110\Omega, C_L = 50pF$	See Figure 6-4 and Figure 6-5		31	ns	
$t_{PZL}$					26	ns	
$t_{PZH2}$	Enable time	$RE = V_{CC}, PRR = 100KHz, R_L = 110\Omega \pm 1\%, C_L = 50pF \pm 20\%, 50\%$ to 2.3V			6	$\mu s$	
$t_{PZL2}$					6	$\mu s$	
<b>Receiver: 32Mbps</b>							

## 6.6 Switching Characteristics (続き)

Over recommended operating conditions

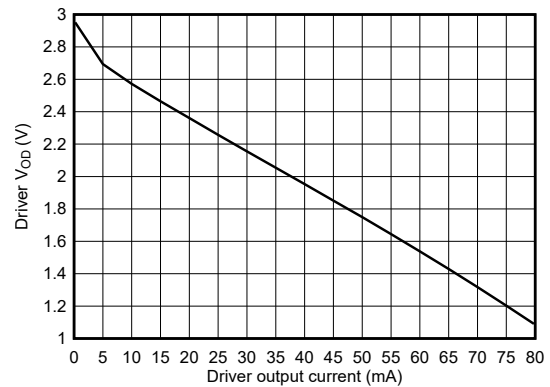
PARAMETER		TEST CONDITIONS	MIN	TYP	MAX	UNIT
$t_r, t_f$	Differential output rise/fall time	PRR = 500KHz, $C_L = 15\text{pF}$ , Across process, full range of voltage and ambient temperature	1	2	5	ns
$t_{PHL}, t_{PLH}$	Propagation delay		12.5	20	25	ns
$t_{SK(P)}$	Pulse skew, $ t_{PHL} - t_{PLH} $				1.5	ns
$t_{SK(PP)}$	Part to part skew				8	ns
$t_{PHL}, t_{PLH}$	Propagation delay	PRR = 500KHz, $C_L = 15\text{pF}$ , $V_{CC} = 3.3\text{V} \pm 3\%$ , $T_A = -20^\circ\text{C}$ to $85^\circ\text{C}$	13		20	ns
$t_{PHL}, t_{PLH}$	Propagation delay	PRR = 500KHz, $C_L = 30\text{pF}$ , $V_{CC} = 3.3\text{V} \pm 3\%$ , $T_A = -20^\circ\text{C}$ to $85^\circ\text{C}$	13.4		21	ns
$t_{PHZ}$	Output disable time from high-level	PRR = 500KHz, $C_L = 15\text{pF}$			20	ns
$t_{PLZ}$	Output disable time from low-level	PRR = 500KHz, $C_L = 15\text{pF}$			15	ns
$t_{PZH}$	Output enable time to high-level	DE = $V_{CC}$ , PRR = 500KHz, $C_L = 15\text{pF}$			15	ns
$t_{PZL}$	Output enable time to low-level				15	ns
$t_{PZH2}$	Output enable time to high-level	DE = 0V, PRR = 100KHz, 50% to 1.5V, $C_L = 15\text{pF} \pm 20\%$			6	$\mu\text{s}$
$t_{PZL2}$	Output enable time to low-level				6	$\mu\text{s}$

## 6.7 Typical Characteristics



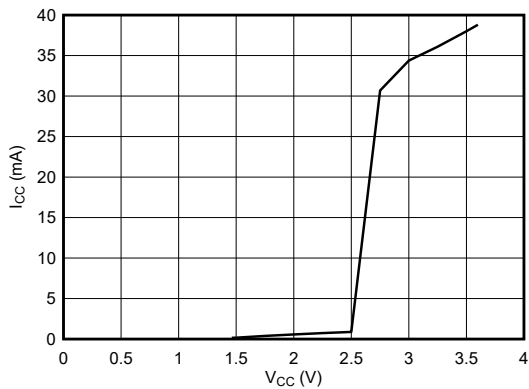
$V_{CC} = 3.3\text{ V}$        $DE = V_{CC}$        $D = \text{GND}$

**6-1. Driver Output voltage vs Driver Output Current**



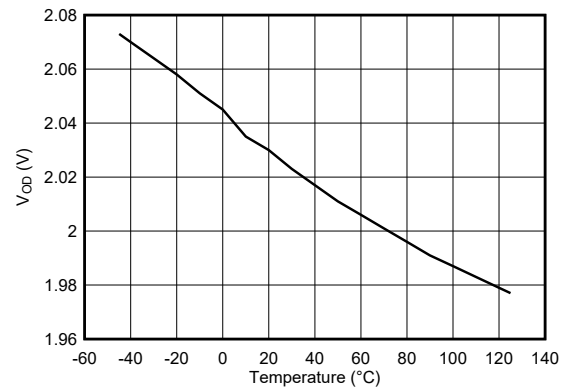
$V_{CC} = 3.3\text{ V}$        $DE = V_{CC}$        $D = \text{GND}$

**6-2. Driver Differential Output voltage vs Driver Output Current**



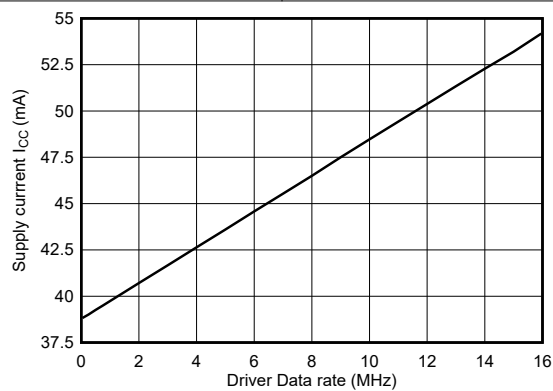
$R_L = 54\ \Omega$        $DE = V_{CC}$        $D = V_{CC}$   
 $T_A = 25^\circ\text{C}$

**6-3. Supply Current vs Supply Voltage**



$DE = V_{CC}$        $D = V_{CC}$        $R_L = 54\ \Omega$

**6-4. Driver output differential voltage vs Temperature**



$R_L = 54\ \Omega$        $CL = 50\text{ pF}$        $DE = V_{CC}$   
 Temperature =  $25^\circ\text{C}$

**6-5. Supply Current vs Signal Rate**



## 7 Parameter Measurement Information

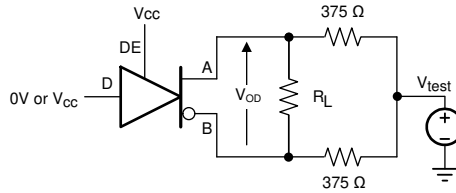


Figure 7-1. Measurement of Driver Differential Output Voltage With Common-Mode Load

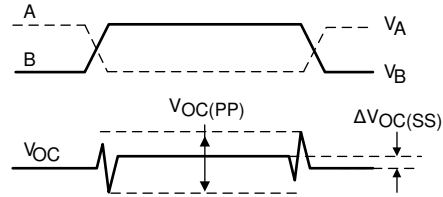
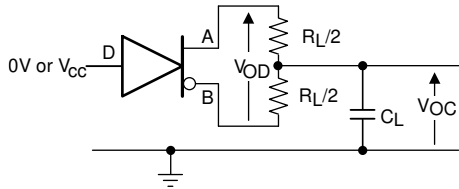
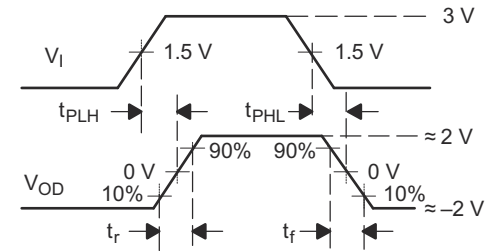
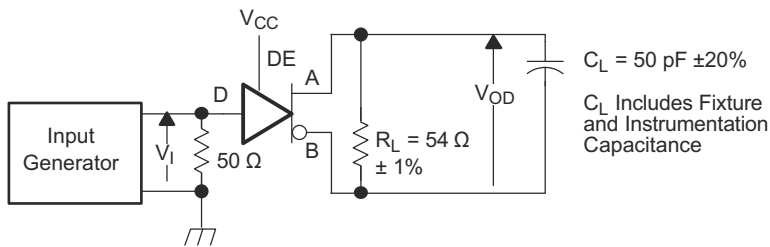


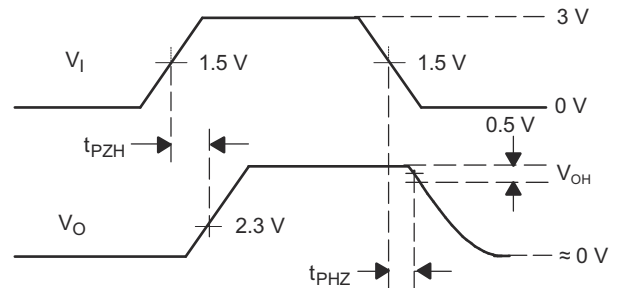
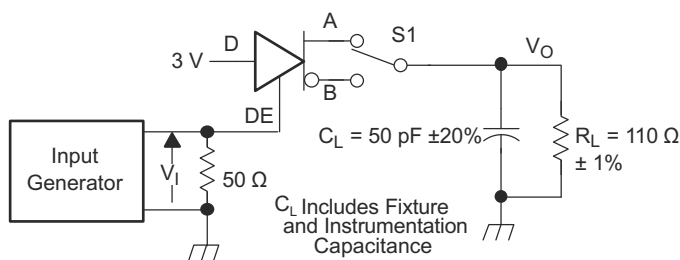
Figure 7-2. Measurement of Driver Differential and Common-Mode Output With RS-485 Load



Copyright © 2017, Texas Instruments Incorporated

Generator: PRR = 500 kHz, 50% Duty Cycle,  $t_r < 60$  ns,  $t_f < 6$  ns  $Z_0 = 50 \Omega$

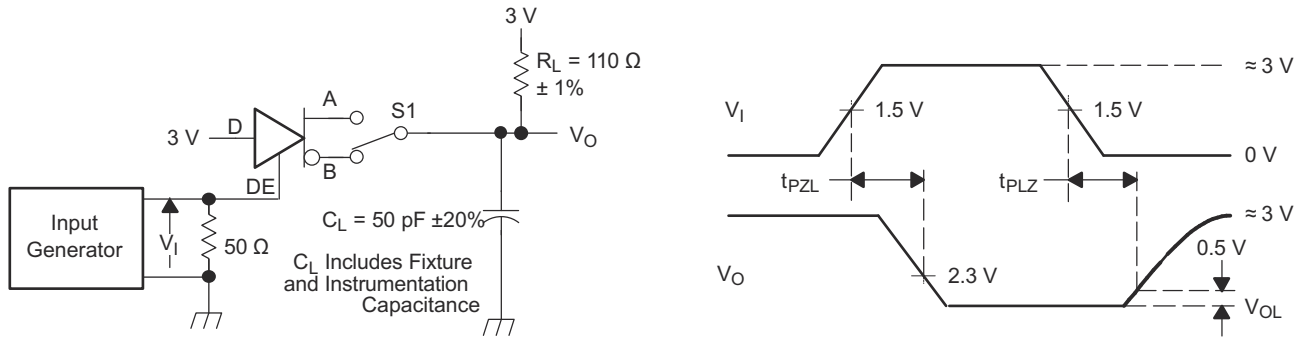
Figure 7-3. Driver Switching Test Circuit and Voltage Waveforms



Copyright © 2017, Texas Instruments Incorporated

Generator: PRR = 500 kHz, 50% Duty Cycle,  $t_r < 60$  ns,  $t_f < 6$  ns  $Z_0 = 50 \Omega$

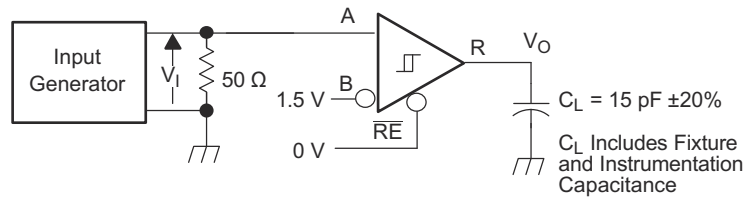
Figure 7-4. Driver High-Level Enable and Disable Time Test Circuit and Voltage Waveforms



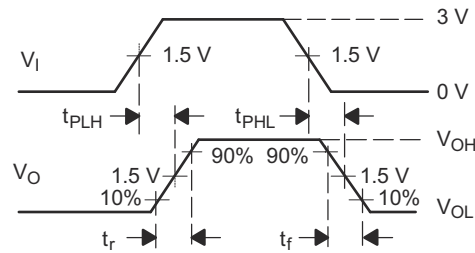
Copyright © 2017, Texas Instruments Incorporated

Generator: PRR = 500 kHz, 50% Duty Cycle,  $t_r < 60$  ns,  $t_f < 6$  ns  $Z_o = 50 \Omega$

**7-5. Driver Low-Level Output Enable and Disable Time Test Circuit and Voltage Waveforms**

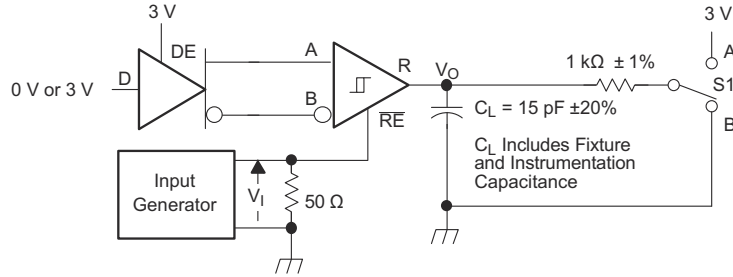


Generator: PRR = 500 kHz, 50% Duty Cycle,  $t_r < 6$  ns,  $t_f < 6$  ns,  $Z_o = 50 \Omega$

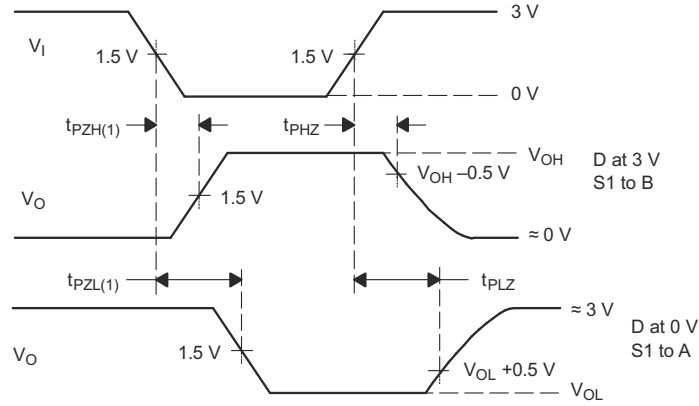


Copyright © 2017, Texas Instruments Incorporated

**7-6. Receiver Switching Test Circuit and Voltage Waveforms**

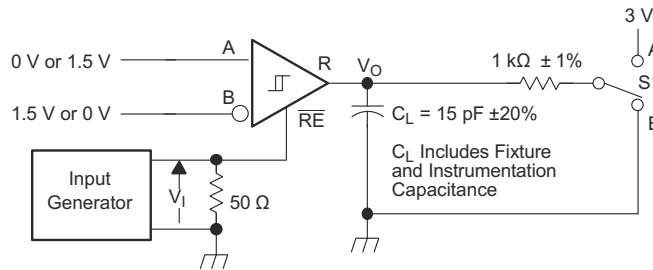


Generator: PRR = 500 kHz, 50% Duty Cycle,  $t_r < 6$  ns,  $t_f < 6$  ns,  $Z_o = 50 \Omega$

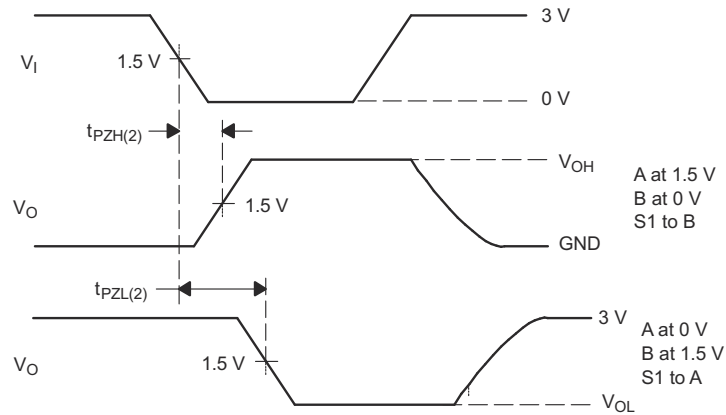


Copyright © 2017, Texas Instruments Incorporated

图 7-7. Receiver Enable and Disable Time Test Circuit and Voltage Waveforms With Drivers Enabled



Generator: PRR = 100 kHz, 50% Duty Cycle,  $t_r < 6$  ns,  $t_f < 6$  ns,  $Z_o = 50 \Omega$



Copyright © 2017, Texas Instruments Incorporated

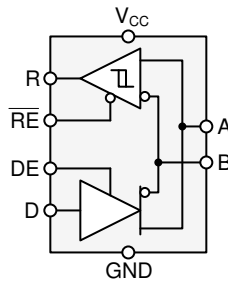
图 7-8. Receiver Enable Time From Standby (Driver Disabled)

## 8 Detailed Description

### 8.1 Overview

The THVD1330 is a low-power, half-duplex RS-485 transceiver suitable for data transmission up to 32 Mbps. This device has active-high driver enable and active-low receiver enable. Disabling both driver and receiver can achieve a standby current of less than 5  $\mu$ A.

### 8.2 機能ブロック図



### 8.3 Feature Description

Internal ESD protection circuits protect the transceiver against Electrostatic Discharges (ESD) according to IEC 61000-4-2 of up to  $\pm 8$  kV (Contact Discharge).

The THVD1330 provides internal biasing of the receiver input thresholds in combination with large input-threshold hysteresis. With a input hysteresis (typical) of  $V_{HYS} = 50$  mV, the receiver output remains logic high under a bus-idle or bus-short conditions without the need for external failsafe biasing resistors. Device operation is specified over a wide temperature range from  $-40^{\circ}\text{C}$  to  $125^{\circ}\text{C}$ .

### 8.4 Device Functional Modes

When the driver enable pin, DE, is logic high, the differential outputs A and B follow the logic states at data input D. A logic high at D causes A to turn high and B to turn low. In this case, the differential output voltage defined as  $V_{OD} = V_A - V_B$  is positive. When D is low, the output states reverse, B turns high, A becomes low, and  $V_{OD}$  is negative.

When DE is low, both outputs turn high-impedance. In this condition the logic state at D is irrelevant. The DE pin has an internal pull-down resistor to ground, thus when left open the driver is disabled (high-impedance) by default. The D pin has an internal pull-up resistor to  $V_{CC}$ , thus, when left open while the driver is enabled, output A turns high and B turns low.

表 8-1. Driver Function Table

INPUT	ENABLE	OUTPUTS		FUNCTION
		A	B	
H	H	H	L	Actively drive bus high
L	H	L	H	Actively drive bus low
X	L	Z	Z	Driver disabled
X	OPEN	Z	Z	Driver disabled by default
OPEN	H	H	L	Actively drive bus high by default

When the receiver enable pin,  $\overline{\text{RE}}$ , is logic low, the receiver is enabled. When the differential input voltage defined as  $V_{ID} = V_A - V_B$  is positive and higher than the positive input threshold,  $V_{IT+}$ , the receiver output, R, turns high. When  $V_{ID}$  is negative and lower than the negative input threshold,  $V_{IT-}$ , the receiver output, R, turns low. If  $V_{ID}$  is between  $V_{IT+}$  and  $V_{IT-}$  the output is indeterminate.

When  $\overline{\text{RE}}$  is logic high or left open, the receiver output is high-impedance and the magnitude and polarity of  $V_{ID}$  are irrelevant. Internal biasing of the receiver inputs causes the output to go failsafe-high when the transceiver is

disconnected from the bus (open-circuit), the bus lines are shorted (short-circuit), or the bus is not actively driven (idle bus).

**表 8-2. Receiver Function Table**

DIFFERENTIAL INPUT	ENABLE	OUTPUT	FUNCTION
$V_{ID} = V_A - V_B$	RE	R	
$V_{IT+} < V_{ID}$	L	H	Receive valid bus high
$V_{IT-} < V_{ID} < V_{IT+}$	L	?	Indeterminate bus state
$V_{ID} < V_{IT-}$	L	L	Receive valid bus low
X	H	Z	Receiver disabled
X	OPEN	Z	Receiver disabled by default
Open-circuit bus	L	H	Fail-safe high output
Short-circuit bus	L	H	Fail-safe high output
Idle (terminated) bus	L	H	Fail-safe high output

## 9 Application and Implementation

### 注

Information in the following applications sections is not part of the TI component specification, and TI does not warrant its accuracy or completeness. TI's customers are responsible for determining suitability of components for their purposes. Customers should validate and test their design implementation to confirm system functionality.

### 9.1 Application Information

The THVD1330 is a half-duplex RS-485 transceiver commonly used for asynchronous data transmissions. The driver and receiver enable pins allow for the configuration of different operating modes.

- Using independent enable lines provides the most flexible control as it allows for the driver and the receiver to be turned on and off individually. While this configuration requires two control lines, it allows for selective listening into the bus traffic, whether the driver is transmitting data or not.
- Combining the enable signals simplifies the interface to the controller by forming a single direction-control signal. In this configuration, the transceiver operates as a driver when the direction-control line is high, and as a receiver when the direction-control line is low.
- Only one line is required when connecting the receiver-enable input to ground and controlling only the driver-enable input. In this configuration, a node not only receives the data from the bus, but also the data it sends and can verify that the correct data have been transmitted.

### 9.2 Typical Application

An RS-485 bus consists of multiple transceivers connecting in parallel to a bus cable. To eliminate line reflections, each cable end is terminated with a termination resistor,  $R_T$ , whose value matches the characteristic impedance,  $Z_0$ , of the cable. This method, known as parallel termination, allows for higher data rates over longer cable length.

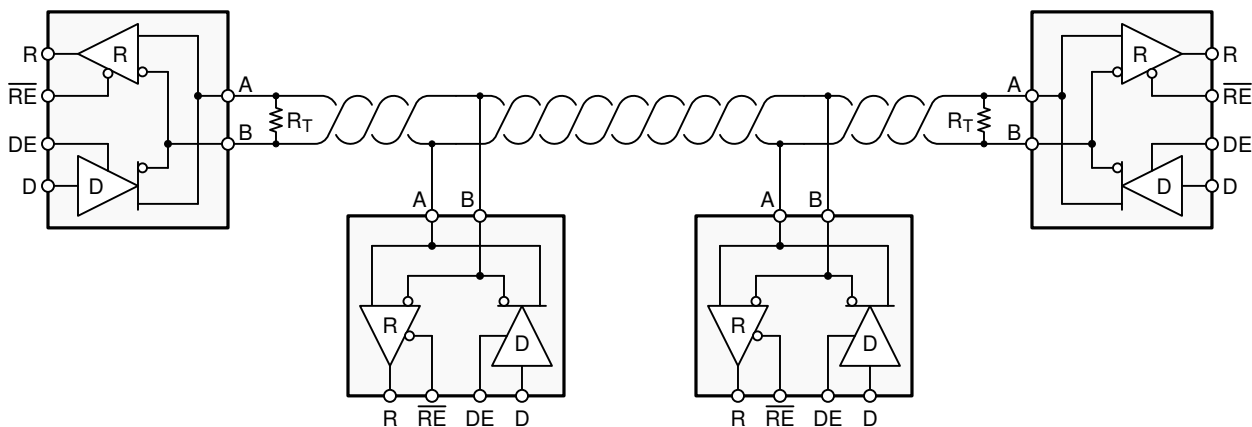


図 9-1. Typical RS-485 Network With Half-Duplex Transceivers

#### 9.2.1 Design Requirements

RS-485 is a robust electrical standard suitable for long-distance networking that is used in a wide range of applications with varying requirements, such as distance, data rate, and number of nodes.

##### 9.2.1.1 Data Rate and Bus Length

There is an inverse relationship between data rate and cable length, which means the higher the data rate, the shorter the cable length; and conversely, the lower the data rate, the longer the cable length. While most RS-485 systems use data rates between 10 kbps and 100 kbps, some applications require data rates up to 300 kbps at

distances of 4000 feet and longer. Longer distances are possible by allowing for small signal jitter of up to 5 or 10%.

### 9.2.1.2 Stub Length

When connecting a node to the bus, the distance between the transceiver inputs and the cable trunk, known as the stub, must be as short as possible. Stubs present a non-terminated piece of bus line which can introduce reflections as the length of the stub increases. As a general guideline, the electrical length, or round-trip delay, of a stub is less than one-tenth of the rise time of the driver, thus giving a maximum physical stub length as shown in 式 1.

$$L_{(\text{STUB})} \leq 0.1 \times t_r \times v \times c \quad (1)$$

where

- $t_r$  is the 10/90 rise time of the driver
- $c$  is the speed of light ( $3 \times 10^8$  m/s)
- $v$  is the signal velocity of the cable or trace as a factor of  $c$

### 9.2.1.3 Bus Loading

The RS-485 standard specifies that a compliant driver must be able to driver 32 unit loads (UL), where 1 unit load represents a load impedance of approximately 12 k $\Omega$ . Connecting up to 64 receivers to the bus is possible because the THVD1330 consists of 1/2 UL transceivers.

### 9.2.1.4 Receiver Failsafe

The differential receivers of the THVD1330 are *failsafe* to invalid bus states caused by the following:

- Open bus conditions, such as a disconnected connector
- Shorted bus conditions, such as cable damage shorting the twisted-pair together
- Idle bus conditions that occur when no driver on the bus is actively driving

In any of these cases, the differential receiver output a failsafe logic high state so that the output of the receiver is not indeterminate.

Receiver failsafe is accomplished by offsetting the receiver thresholds such that the *input indeterminate* range does not include zero volts differential. To comply with the RS-422 and RS-485 standards, the receiver output must output a high when the differential input  $V_{ID}$  is more positive than 200 mV, and must output a low when  $V_{ID}$  is less than  $-200$  mV. The receiver parameters which determine the failsafe performance are  $V_{IT+}$ ,  $V_{IT-}$ , and  $V_{HYS}$  (the separation between  $V_{IT+}$  and  $V_{IT-}$ ). As shown in the [Table 7-2](#), differential signals less than  $-200$  mV always cause a low receiver output. Differential signals greater than 200 mV always cause a high receiver output.

When the differential input signal is close to zero, it is still above the  $V_{IT+}$  threshold, and the receiver output is high. Only when the differential input is more than  $V_{HYS}$  below  $V_{IT+}$  does the receiver output transition to a low state. Therefore, the noise immunity of the receiver inputs during a bus fault conditions includes the receiver hysteresis value,  $V_{HYS}$ , as well as the value of  $V_{IT+}$ .



### 9.2.1.5 Transient Protection

The bus pins of the THVD1330 transceiver family include on-chip ESD protection against  $\pm 16$ -kV HBM and  $\pm 8$ -kV IEC 61000-4-2 contact discharge. The International Electrotechnical Commission (IEC) ESD test is far more severe than the HBM ESD test. The 50% higher charge capacitance,  $C_{(S)}$ , and 78% lower discharge resistance,  $R_{(D)}$ , of the IEC model produce significantly higher discharge currents than the HBM model.

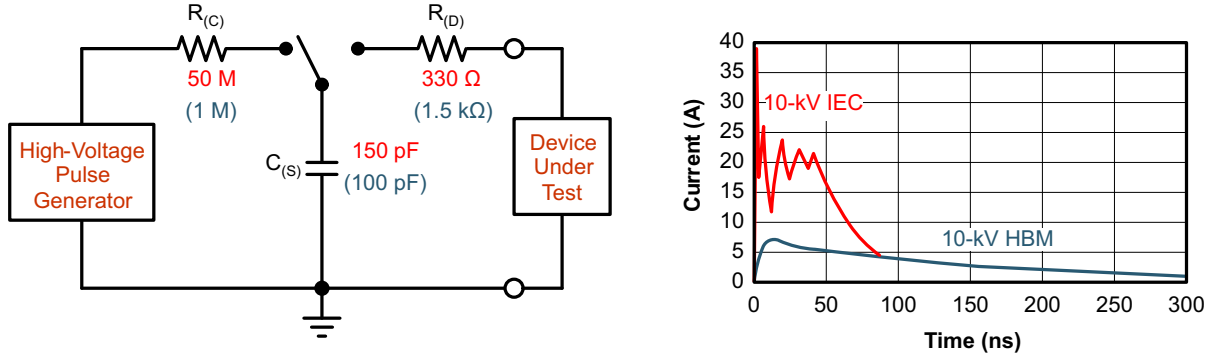


Figure 9-2. HBM and IEC ESD Models and Currents in Comparison (HBM Values in Parenthesis)

The on-chip implementation of IEC ESD protection significantly increases the robustness of equipment. Common discharge events occur because of human contact with connectors and cables. Designers can choose to implement protection against longer duration transients, typically referred to as surge transients.

### 9.2.2 Detailed Design Procedure

To protect bus nodes against high-energy transients, the implementation of external transient protection devices is necessary. Figure 9-3 suggests a protection circuit against 1 kV surge (IEC 61000-4-5) transients. Table 9-1 shows the associated Bill of Materials.

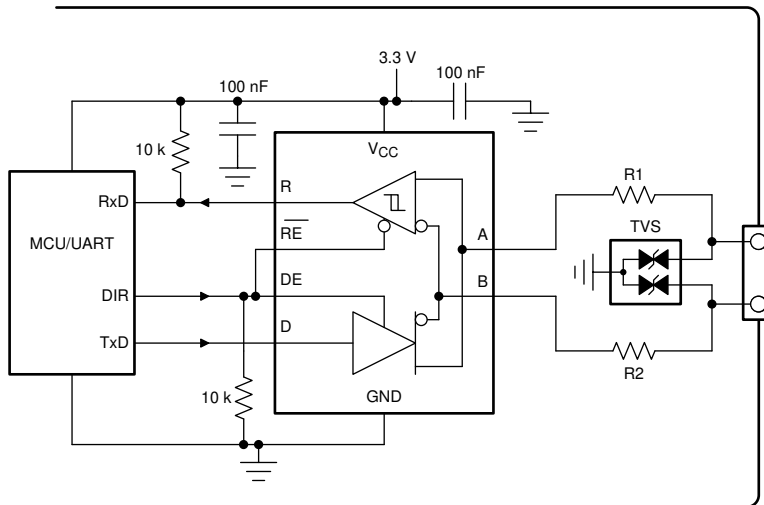


Figure 9-3. Transient Protection Against ESD, EFT, and Surge Transients for Half-Duplex Devices

Table 9-1. Bill of Materials


DEVICE	FUNCTION	ORDER NUMBER	MANUFACTURER <sup>(1)</sup>
XCVR	RS-485 transceiver	THVD1330	TI
R1	10-Ω, pulse-proof thick-film resistor	CRCW0603010RJNEAHP	Vishay
R2			

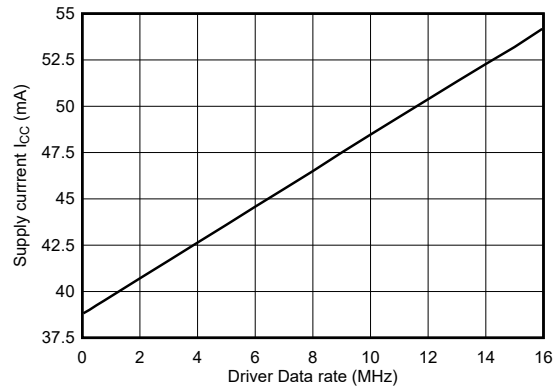
表 9-1. Bill of Materials (続き)

DEVICE	FUNCTION	ORDER NUMBER	MANUFACTURER <sup>(1)</sup>
TVS	Bidirectional 400-W transient suppressor	CDSOT23-SM712	Bourns

(1) See the [Third-Party Products Disclaimer](#).

### 9.2.3 Application Curves

 9-4 shows typical supply current consumption of the device at 54  $\Omega$  load and 50 pF load capacitor with driver enabled and data is toggled at varying data rates.



 9-4. Supply Current vs Signal Rate

### 9.3 Power Supply Recommendations

For reliable operation at all data rates and supply voltages, each supply is decoupled with a 100 nF ceramic capacitor located as close as possible to the supply pins. This helps reduce supply voltage ripple present on the outputs of switched-mode power supplies. This also helps to compensate for the resistance and inductance of the PCB power planes.

## 9.4 Layout

### 9.4.1 Layout Guidelines

Robust and reliable bus node design often requires the use of external transient protection devices to protect against surge transients that occurs in industrial environments. Since these transients have a wide frequency bandwidth (from approximately 3 MHz to 300 MHz), high-frequency layout techniques are applied during PCB design.

1. Place the protection circuitry close to the bus connector to prevent noise transients from propagating across the board.
2. Use  $V_{CC}$  and ground planes to provide low inductance. Note that high-frequency currents tend to follow the path of least impedance and not the path of least resistance.
3. Design the protection components into the direction of the signal path. Do not force the transient currents to divert from the signal path to reach the protection device.
4. Apply 100-nF to 220-nF bypass capacitors as close as possible to the  $V_{CC}$  pins of transceiver, UART and controller ICs on the board.
5. Use at least two vias for  $V_{CC}$  and ground connections of bypass capacitors and protection devices to minimize effective via inductance.
6. Use 1-k $\Omega$  to 10-k $\Omega$  pullup and pulldown resistors for enable lines to limit noise currents in these lines during transient events.
7. Insert pulse-proof resistors into the A and B bus lines if the TVS clamping voltage is higher than the specified maximum voltage of the transceiver bus pins. These resistors limit the residual clamping current into the transceiver and prevent it from latching up.
8. While pure TVS protection is sufficient for surge transients up to 1 kV, higher transients require metal-oxide varistors (MOVs) which reduce the transients to a few hundred volts of clamping voltage, and transient blocking units (TBUs) that limit transient current to less than 1 mA.

### 9.4.2 Layout Example

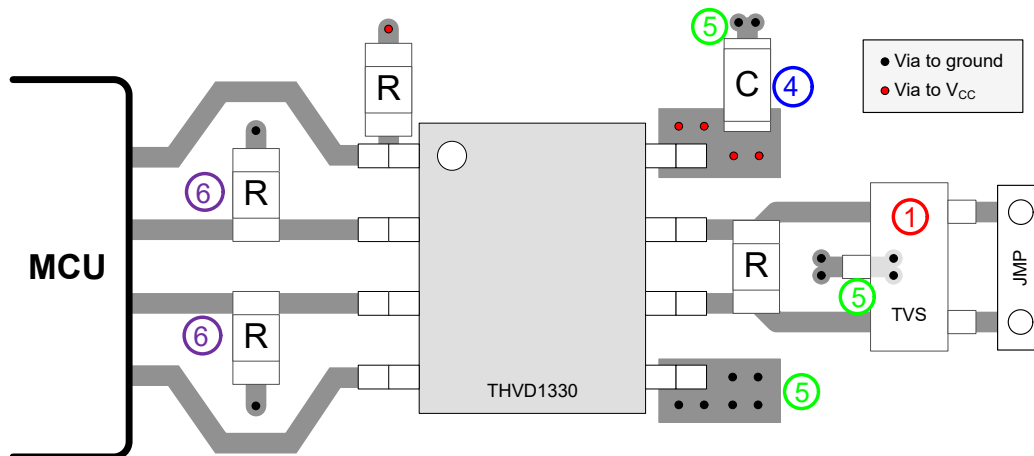


図 9-5. Layout Example

## 10 Device and Documentation Support

### 10.1 サード・パーティ製品に関する免責事項

サード・パーティ製品またはサービスに関するテキサス・インスツルメンツの出版物は、単独またはテキサス・インスツルメンツの製品、サービスと一緒に提供される場合に関係なく、サード・パーティ製品またはサービスの適合性に関する是認、サード・パーティ製品またはサービスの是認の表明を意味するものではありません。

### 10.2 Device Support

### 10.3 ドキュメントの更新通知を受け取る方法

ドキュメントの更新についての通知を受け取るには、[ti.com](https://www.ti.com) のデバイス製品フォルダを開いてください。「更新の通知を受け取る」をクリックして登録すると、変更されたすべての製品情報に関するダイジェストを毎週受け取れます。変更の詳細については、修正されたドキュメントに含まれている改訂履歴をご覧ください。

### 10.4 サポート・リソース

[TI E2E™ サポート・フォーラム](#)は、エンジニアが検証済みの回答と設計に関するヒントをエキスパートから迅速かつ直接得ることができる場所です。既存の回答を検索したり、独自の質問をしたりすることで、設計に必要な支援を迅速に得ることができます。

リンクされているコンテンツは、該当する貢献者により、現状のまま提供されるものです。これらは TI の仕様を構成するものではなく、必ずしも TI の見解を反映したものではありません。TI の[使用条件](#)を参照してください。

### 10.5 商標

TI E2E™ is a trademark of Texas Instruments.

すべての商標は、それぞれの所有者に帰属します。

### 10.6 静電気放電に関する注意事項



この IC は、ESD によって破損する可能性があります。テキサス・インスツルメンツは、IC を取り扱う際には常に適切な注意を払うことを推奨します。正しい取り扱いおよび設置手順に従わない場合、デバイスを破損するおそれがあります。

ESD による破損は、わずかな性能低下からデバイスの完全な故障まで多岐にわたります。精密な IC の場合、パラメータがわずかに変化するだけで公表されている仕様から外れる可能性があるため、破損が発生しやすくなっています。

### 10.7 用語集

[テキサス・インスツルメンツ用語集](#) この用語集には、用語や略語の一覧および定義が記載されています。

## 11 Mechanical, Packaging, and Orderable Information

The following pages include mechanical, packaging, and orderable information. This information is the most current data available for the designated devices. This data is subject to change without notice and revision of this document. For browser-based versions of this data sheet, refer to the left-hand navigation.

**PACKAGING INFORMATION**

Orderable Device	Status (1)	Package Type	Package Drawing	Pins	Package Qty	Eco Plan (2)	Lead finish/ Ball material (6)	MSL Peak Temp (3)	Op Temp (°C)	Device Marking (4/5)	Samples
THVD1330DR	ACTIVE	SOIC	D	8	2500	RoHS & Green	NIPDAU	Level-1-260C-UNLIM	-40 to 125	T1330	Samples

(1) The marketing status values are defined as follows:

**ACTIVE:** Product device recommended for new designs.

**LIFEBUY:** TI has announced that the device will be discontinued, and a lifetime-buy period is in effect.

**NRND:** Not recommended for new designs. Device is in production to support existing customers, but TI does not recommend using this part in a new design.

**PREVIEW:** Device has been announced but is not in production. Samples may or may not be available.

**OBSELETE:** TI has discontinued the production of the device.

(2) **RoHS:** TI defines "RoHS" to mean semiconductor products that are compliant with the current EU RoHS requirements for all 10 RoHS substances, including the requirement that RoHS substance do not exceed 0.1% by weight in homogeneous materials. Where designed to be soldered at high temperatures, "RoHS" products are suitable for use in specified lead-free processes. TI may reference these types of products as "Pb-Free".

**RoHS Exempt:** TI defines "RoHS Exempt" to mean products that contain lead but are compliant with EU RoHS pursuant to a specific EU RoHS exemption.

**Green:** TI defines "Green" to mean the content of Chlorine (Cl) and Bromine (Br) based flame retardants meet JS709B low halogen requirements of <=1000ppm threshold. Antimony trioxide based flame retardants must also meet the <=1000ppm threshold requirement.

(3) MSL, Peak Temp. - The Moisture Sensitivity Level rating according to the JEDEC industry standard classifications, and peak solder temperature.

(4) There may be additional marking, which relates to the logo, the lot trace code information, or the environmental category on the device.

(5) Multiple Device Markings will be inside parentheses. Only one Device Marking contained in parentheses and separated by a "-" will appear on a device. If a line is indented then it is a continuation of the previous line and the two combined represent the entire Device Marking for that device.

(6) Lead finish/Ball material - Orderable Devices may have multiple material finish options. Finish options are separated by a vertical ruled line. Lead finish/Ball material values may wrap to two lines if the finish value exceeds the maximum column width.

**Important Information and Disclaimer:**The information provided on this page represents TI's knowledge and belief as of the date that it is provided. TI bases its knowledge and belief on information provided by third parties, and makes no representation or warranty as to the accuracy of such information. Efforts are underway to better integrate information from third parties. TI has taken and continues to take reasonable steps to provide representative and accurate information but may not have conducted destructive testing or chemical analysis on incoming materials and chemicals. TI and TI suppliers consider certain information to be proprietary, and thus CAS numbers and other limited information may not be available for release.

In no event shall TI's liability arising out of such information exceed the total purchase price of the TI part(s) at issue in this document sold by TI to Customer on an annual basis.



D0008A

# PACKAGE OUTLINE

SOIC - 1.75 mm max height

SMALL OUTLINE INTEGRATED CIRCUIT



4214825/C 02/2019

NOTES:

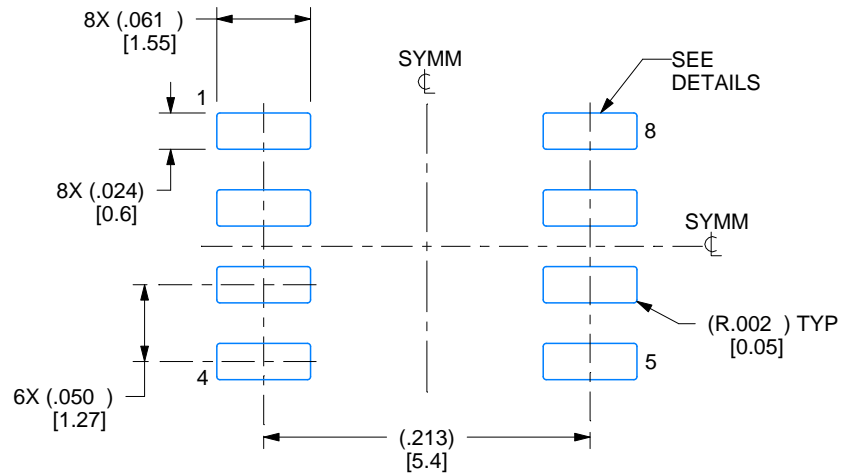
- Linear dimensions are in inches [millimeters]. Dimensions in parenthesis are for reference only. Controlling dimensions are in inches. Dimensioning and tolerancing per ASME Y14.5M.
- This drawing is subject to change without notice.
- This dimension does not include mold flash, protrusions, or gate burrs. Mold flash, protrusions, or gate burrs shall not exceed .006 [0.15] per side.
- This dimension does not include interlead flash.
- Reference JEDEC registration MS-012, variation AA.

# EXAMPLE BOARD LAYOUT

D0008A

SOIC - 1.75 mm max height

SMALL OUTLINE INTEGRATED CIRCUIT



LAND PATTERN EXAMPLE  
EXPOSED METAL SHOWN  
SCALE:8X



SOLDER MASK DETAILS

4214825/C 02/2019

NOTES: (continued)

6. Publication IPC-7351 may have alternate designs.

7. Solder mask tolerances between and around signal pads can vary based on board fabrication site.



# EXAMPLE STENCIL DESIGN

D0008A

SOIC - 1.75 mm max height

SMALL OUTLINE INTEGRATED CIRCUIT



SOLDER PASTE EXAMPLE  
BASED ON .005 INCH [0.125 MM] THICK STENCIL  
SCALE:8X

4214825/C 02/2019

NOTES: (continued)

8. Laser cutting apertures with trapezoidal walls and rounded corners may offer better paste release. IPC-7525 may have alternate design recommendations.
9. Board assembly site may have different recommendations for stencil design.

## 重要なお知らせと免責事項

TI は、技術データと信頼性データ (データシートを含みます)、設計リソース (リファレンス・デザインを含みます)、アプリケーションや設計に関する各種アドバイス、Web ツール、安全性情報、その他のリソースを、欠陥が存在する可能性のある「現状のまま」提供しており、商品性および特定目的に対する適合性の黙示保証、第三者の知的財産権の非侵害保証を含むいかなる保証も、明示的または黙示的にかかわらず拒否します。

これらのリソースは、TI 製品を使用する設計の経験を積んだ開発者への提供を意図したものです。(1) お客様のアプリケーションに適した TI 製品の選定、(2) お客様のアプリケーションの設計、検証、試験、(3) お客様のアプリケーションに該当する各種規格や、その他のあらゆる安全性、セキュリティ、規制、または他の要件への確実な適合に関する責任を、お客様のみが単独で負うものとし、

上記の各種リソースは、予告なく変更される可能性があります。これらのリソースは、リソースで説明されている TI 製品を使用するアプリケーションの開発の目的でのみ、TI はその使用をお客様に許諾します。これらのリソースに関して、他の目的で複製することや掲載することは禁止されています。TI や第三者の知的財産権のライセンスが付与されている訳ではありません。お客様は、これらのリソースを自身で使用した結果発生するあらゆる申し立て、損害、費用、損失、責任について、TI およびその代理人を完全に補償するものとし、TI は一切の責任を拒否します。

TI の製品は、[TI の販売条件](#)、または [ti.com](https://www.ti.com) やかかる TI 製品の関連資料などのいずれかを通じて提供する適用可能な条項の下で提供されています。TI がこれらのリソースを提供することは、適用される TI の保証または他の保証の放棄の拡大や変更を意味するものではありません。

お客様がいかなる追加条項または代替条項を提案した場合でも、TI はそれらに異議を唱え、拒否します。

郵送先住所 : Texas Instruments, Post Office Box 655303, Dallas, Texas 75265  
Copyright © 2023, Texas Instruments Incorporated