

TCAN1051 フォルト保護機能搭載 CAN FD 付き CAN トランシーバ

1 特長

- ISO 11898-2:2016 および ISO 11898-5:2007 物理層規格に準拠
- 機能安全対応
 - 機能安全システムの設計に役立つ資料を利用可能
- 「ターボ」CAN
 - すべてのデバイスが Classic CAN および 2Mbps の CAN FD (柔軟なデータ・レート) をサポート、「G」オプションは 5Mbps をサポート
 - 短く対称的な遅延時間と高速なループ時間により、タイミング・マージンが拡大
 - 負荷のある CAN ネットワークでより高いデータ・レートを実現
- 3.3V および 5V の MCU をサポートする I/O 電圧範囲
- 無電源時の理想的なパッシブ動作
 - バスおよびロジック端子は高インピーダンス (無負荷)
 - 電源オン / 電源オフ時にバスおよび RXD 出力はグリッチ・フリーで動作
- 保護機能
 - HBM ESD 保護: $\pm 16\text{kV}$
 - IEC ESD 保護: $\pm 15\text{kV}$ まで
 - バス・フォルト保護: $\pm 58\text{V}$ (H バージョン以外) および $\pm 70\text{V}$ (H バージョン)
 - V_{CC} および V_{IO} (V バージョンのみ) 電源端子の低電圧保護
 - ドライバ優先タイムアウト (TXD DTO): データ・レートを 10kbps に低下
 - サーマル・シャットダウン保護 (TSD)
- レシーバの同相入力電圧: $\pm 30\text{V}$
- ループ遅延 (標準値): 110ns
- 接合部温度範囲: $-55^{\circ}\text{C} \sim 150^{\circ}\text{C}$
- SOIC (8) およびリードレス VSON (8) パッケージ (3.0mm \times 3.0mm) で供給、自動光学検査 (AOI) 機能を強化

2 アプリケーション

- すべてのデバイスが高負荷 CAN ネットワークをサポート
- 重機械 ISOBUS アプリケーション – ISO 11783
- 産業オートメーション、制御、センサ、駆動システム
- ビルディング、セキュリティ、空調の自動化
- テレコム基地局の監視と制御
- CANopen、DeviceNet、NMEA2000、ARNIC825、ISO11783、CANaerospace などの CAN バス規格

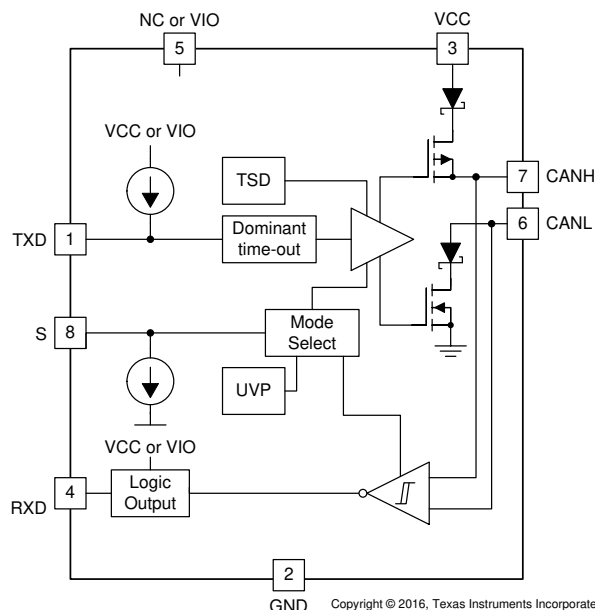
3 概要

この CAN トランシーバ・ファミリは、ISO11898-2 (2016) 高速 CAN (コントローラ・エリア・ネットワーク) の物理層規格に適合しています。すべてのデバイスが、最大 2Mbps (メガビット/秒) の CAN FD ネットワークで使用するように設計されています。型番に「G」接尾辞が含まれているデバイスは最大 5Mbps のデータ・レート用に設計されており、「V」付きのバージョンには I/O レベル用のセカンダリ電源入力があり、入力ピンのスレッシュホールドと RXD 出力レベルがシフトされます。このファミリのデバイスはサイレント・モード (一般にリッスン・オンリー・モードとも呼びます) を備えています。さらに、デバイスとネットワークの堅牢性の強化のため、すべてのデバイスに多くの保護機能が組み込まれています。

製品情報

| 部品番号 | パッケージ ⁽¹⁾ | 本体サイズ |
|-----------|----------------------|------------------------|
| TCAN1051x | SOIC (8) | 4.90mm \times 3.91mm |
| | VSON (8) | 3.00mm \times 3.00mm |

- (1) 利用可能なすべてのパッケージについては、このデータシート末尾にある注文情報を参照してください。



- A. 端子 5 の機能はデバイスに依存します。「V」接尾辞なしのデバイスでは NC、「V」接尾辞ありのデバイスでは I/O レベルのシフト用の V_{IO} です。
- B. RXD ロジックは、「V」接尾辞なしのデバイスでは V_{CC} 、「V」接尾辞ありのデバイスでは V_{IO} に駆動されます。

機能ブロック図



Table of Contents

| | | | |
|--|----|--|----|
| 1 特長 | 1 | 8.1 Overview..... | 18 |
| 2 アプリケーション | 1 | 8.2 Functional Block Diagram..... | 18 |
| 3 概要 | 1 | 8.3 Feature Description..... | 19 |
| 4 Revision History | 2 | 8.4 Device Functional Modes..... | 22 |
| 5 Pin Configuration and Functions | 5 | 9 Application Information Disclaimer | 24 |
| 6 Specifications | 6 | 9.1 Application Information..... | 24 |
| 6.1 Absolute Maximum Ratings..... | 6 | 9.2 Typical Applications..... | 24 |
| 6.2 ESD Ratings..... | 6 | 10 Power Supply Recommendations | 28 |
| 6.3 ESD Ratings, Specifications..... | 7 | 11 Device and Documentation Support | 31 |
| 6.4 Recommended Operating Conditions..... | 8 | 11.1 Documentation Support..... | 31 |
| 6.5 Thermal Information..... | 8 | 11.2 Receiving Notification of Documentation Updates.. | 31 |
| 6.6 Power Rating..... | 8 | 11.3 Support Resources..... | 31 |
| 6.7 Electrical Characteristics..... | 9 | 11.4 Trademarks..... | 31 |
| 6.8 Switching Characteristics..... | 12 | 11.5 Electrostatic Discharge Caution..... | 31 |
| 6.9 Typical Characteristics..... | 13 | 11.6 Glossary..... | 31 |
| 7 Parameter Measurement Information | 14 | 12 Mechanical, Packaging, and Orderable Information | 31 |
| 8 Detailed Description | 18 | | |

4 Revision History

Changes from Revision D (May 2017) to Revision E (April 2021) Page

| | |
|-------------------------|---|
| • 「特長」の「機能安全対応」を追加..... | 1 |
|-------------------------|---|

Changes from Revision C (March 2016) to Revision D (May 2017) Page

| | |
|--|----|
| • 「特長」の「ISO 11898-2 物理レイヤ更新の 2015 年 12 月 17 日ドラフト版に適合」を削除..... | 1 |
| • 「特長」の「リリース済みの ISO 11898-2:2007 および ISO 11898-2:2003 の物理レイヤ標準に適合」を「ISO 11898-2:2016/ISO 11898-5:2007 物理層規格に準拠」に変更..... | 1 |
| • 「特長」の「すべてのデバイスが 2Mbps CAN FD...」を「すべてのデバイスが Classic CAN および 2Mbps CAN FD...」に変更..... | 1 |
| • 「機能ブロック図」を変更し、優先タイムアウトの箱を削除..... | 1 |
| • Deleted "Base" from the D and DRB pin images in the <i>Pin Configurations and Functions</i> | 5 |
| • Deleted "Product Preview" from the DRB pin images in the <i>Pin Configurations and Functions</i> | 5 |
| • Added Storage temperature range to the <i>Absolute Maximum Ratings</i> table..... | 6 |
| • Changed Human Body Model (HBM) From: ± 10000 To: ± 16000 in the <i>ESD Ratings</i> table..... | 6 |
| • Changed Charged Device Model (CDM) From: ± 750 To: ± 1500 in the <i>ESD Ratings</i> table..... | 6 |
| • Changed TBD to values for the DRB (VSON) Package in the <i>ESD Ratings</i> table..... | 6 |
| • Changed V_{SYM} in the <i>DRIVER ELECTRICAL CHARACTERISTICS</i> table..... | 9 |
| • Changed V_{SYM_DC} in the <i>DRIVER ELECTRICAL CHARACTERISTICS</i> table..... | 9 |
| • Deleted " $V_1 = 0.4 \sin(4E6 \pi t) + 2.5 V$ " from the Test Condition of C_1 in the <i>RECEIVER ELECTRICAL CHARACTERISTICS</i> table..... | 9 |
| • Deleted " $V_1 = 0.4 \sin(4E6 \pi t)$ " from the Test Condition of C_{ID} in the <i>RECEIVER ELECTRICAL CHARACTERISTICS</i> table..... | 9 |
| • Added " $-30 V \leq V_{CM} \leq +30$ " to the Test Condition of R_{ID} and R_{IN} in the <i>RECEIVER ELECTRICAL CHARACTERISTICS</i> table..... | 9 |
| • Changed the <i>Functional Block Diagram</i> , removed the Dominant time-out box..... | 18 |
| • Changed 表 8-2, BUS OUTPUT colum..... | 20 |

Changes from Revision B (May 2016) to Revision C (August 2016) Page

| | |
|--|---|
| • デバイスを追加 : TCAN1051、TCAN1051G、TCAN1051GV、TCAN1051V..... | 1 |
| • 「特長」の「バス・フォルト保護を追加 : $\pm 70V$ 」を「バス・フォルト保護 : $\pm 58V$ (H バージョン以外) および $\pm 70V$ (H バージョン)」に変更..... | 1 |

- 「特長」に「...SOIC(8) パッケージとリードレス VSON(8) パッケージ (3.0mm x 3.0mm) で供給」を追加... 1
- Changed "D Package for (HV) and (HGV)" To: "DRB Package for (HV) and (HGV)"5

Changes from Revision A (April 2016) to Revision B (May 2016) Page

- 「製品情報」表に VSON (8) ピン・パッケージを追加..... 1
- Added the VSON (8) pin package to the *Pin Configuration and Functions* 5
- Added $V_{(Diff)}$ to the [セクション 6.1](#) table 6
- Added the DRB package to the *Thermal Information* table 8

Changes from Revision * (March 2016) to Revision A (April 2016) Page

- 製品ステータスを「製品プレビュー」から「量産」に変更..... 1

Device Comparison Table

| DEVICE NUMBER | BUS FAULT PROTECTION | 5-Mbps FLEXIBLE DATA RATE | 3-V LEVEL SHIFTER INTEGRATED | PIN 8 MODE SELECTION |
|-----------------|----------------------|---------------------------|------------------------------|----------------------|
| TCAN1051 (Base) | ±58 V | | | Silent Mode |
| TCAN1051G | ±58 V | X | | |
| TCAN1051GV | ±58 V | X | X | |
| TCAN1051V | ±58 V | | X | |
| TCAN1051H | ±70 V | | | |
| TCAN1051HG | ±70 V | X | | |
| TCAN1051HGV | ±70 V | X | X | |
| TCAN1051HV | ±70 V | | X | |

5 Pin Configuration and Functions

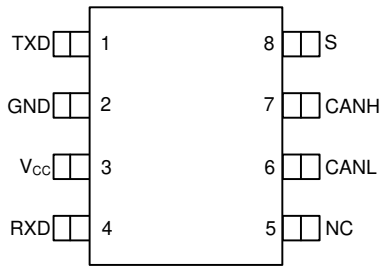


图 5-1. D Package for (H), (G) and (HG) Devices 8 PIN (SOIC) Top View

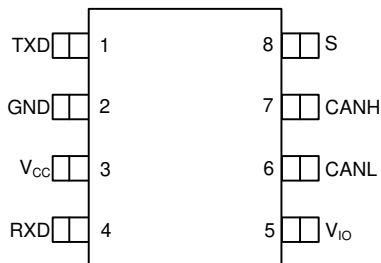


图 5-3. D Package for (V), (GV), (HV) and (HGV) Devices 8 PIN (SOIC) Top View

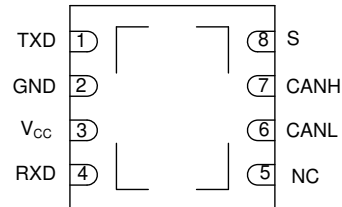


图 5-2. DRB Package for Base, (H), (G), and (HG) Devices 8 PIN (VSON) Top View

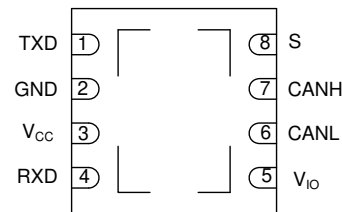


图 5-4. DRB Package for (V), (GV), (HV) and (HGV) Devices 8 PIN (VSON) Top View

表 5-1. Pin Functions

| NAME | PINS | | TYPE | DESCRIPTION |
|--------------------|----------------|------------------------|----------------|--|
| | (H), (G), (HG) | (V), (GV), (HV), (HGV) | | |
| TXD | 1 | 1 | DIGITAL INPUT | CAN transmit data input (LOW for dominant and HIGH for recessive bus states) |
| GND ⁽¹⁾ | 2 | 2 | GND | Ground connection |
| VCC | 3 | 3 | POWER | Transceiver 5-V supply voltage |
| RXD | 4 | 4 | DIGITAL OUTPUT | CAN receive data output (LOW for dominant and HIGH for recessive bus states) |
| NC | 5 | — | — | No Connect |
| V _{IO} | — | 5 | POWER | Transceiver I/O level shifting supply voltage (Devices with "V" suffix only) |
| CANL | 6 | 6 | BUS I/O | Low level CAN bus input/output line |
| CANH | 7 | 7 | BUS I/O | High level CAN bus Input/output line |
| S | 8 | 8 | DIGITAL INPUT | Silent Mode control input (active high) |

(1) For DRB (VSON) package options, the thermal pad may be connected to GND in order to optimize the thermal characteristics of the package.

6 Specifications

6.1 Absolute Maximum Ratings

over operating free-air temperature range (unless otherwise noted) ⁽¹⁾ ⁽²⁾

| | | | MIN | MAX | UNIT |
|-----------------------------|---|--------------------------------|------|---|------|
| V _{CC} | 5-V Bus Supply Voltage Range | All Devices | -0.3 | 7 | V |
| V _{IO} | I/O Level-Shifting Voltage Range | Devices with the "V" Suffix | -0.3 | 7 | V |
| V _{BUS} | CAN Bus I/O voltage range (CANH, CANL) | Devices without the "H" Suffix | -58 | 58 | V |
| V _(Diff) | Max differential voltage between CANH and CANL | Devices without the "H" suffix | -58 | 58 | V |
| V _{BUS} | CAN Bus I/O voltage range (CANH, CANL) | Devices with the "H" Suffix | -70 | 70 | V |
| V _(Diff) | Max differential voltage between CANH and CANL | Devices with the "H" suffix | -70 | 70 | V |
| V _(Logic_Input) | Logic input terminal voltage range (TXD, S) | All Devices | -0.3 | +7 and V _I ≤ V _{IO} + 0.3 | V |
| V _(Logic_Output) | Logic output terminal voltage range (RXD) | | -0.3 | +7 and V _I ≤ V _{IO} + 0.3 | V |
| I _{O(RXD)} | RXD (Receiver) output current | | -8 | 8 | mA |
| T _J | Virtual junction temperature range (see セクション 6.5) | | -55 | 150 | °C |
| T _{STG} | Storage temperature range (see セクション 6.5) | | -65 | 150 | °C |

- (1) Stresses beyond those listed under "absolute maximum ratings" may cause permanent damage to the device. These are stress ratings only and functional operation of the device at these or any other conditions beyond those indicated under "recommended operating conditions" is not implied. Exposure to absolute-maximum-rated condition for extended periods may affect device reliability.
- (2) All voltage values, except differential I/O bus voltages, are with respect to ground terminal.

6.2 ESD Ratings

| | TEST CONDITIONS | VALUE | UNIT |
|---|--|--------|------|
| D (SOIC) Package | | | |
| Human Body Model (HBM) ESD stress voltage | All terminals ⁽¹⁾ | ±6000 | V |
| | CAN bus terminals (CANH, CANL) to GND ⁽²⁾ | ±16000 | |
| Charged Device Model (CDM) ESD stress voltage | All terminals ⁽³⁾ | ±1500 | V |
| Machine Model | All terminals ⁽⁴⁾ | ±200 | V |
| DRB (VSON) Package | | | |
| Human Body Model (HBM) ESD stress voltage | All terminals ⁽¹⁾ | ±6000 | V |
| | CAN bus terminals (CANH, CANL) to GND ⁽²⁾ | ±16000 | |
| Charged Device Model (CDM) ESD stress voltage | All terminals ⁽³⁾ | ±1500 | V |
| Machine Model | All terminals ⁽⁴⁾ | ±200 | V |

- (1) Tested in accordance to JEDEC Standard 22, Test Method A114.
- (2) Test method based upon JEDEC Standard 22 Test Method A114, CAN bus is stressed with respect to GND.
- (3) Tested in accordance to JEDEC Standard 22, Test Method C101.
- (4) Tested in accordance to JEDEC Standard 22, Test Method A115.

6.3 ESD Ratings, Specifications

| | TEST CONDITIONS | | VALUE | UNIT |
|--|---------------------------------------|--|--------|------|
| D (SOIC) Package | | | | |
| System Level Electro-Static Discharge (ESD) | CAN bus terminals (CANH, CANL) to GND | IEC 61000-4-2: Unpowered Contact Discharge | ±15000 | V |
| | | IEC 61000-4-2: Powered Contact Discharge | ±8000 | |
| System Level Electrical fast transient (EFT) | CAN bus terminals (CANH, CANL) to GND | IEC 61000-4-4: Criteria A | ±4000 | V |
| DRB (VSON) Package | | | | |
| System Level Electro-Static Discharge (ESD) | CAN bus terminals (CANH, CANL) to GND | IEC 61000-4-2: Unpowered Contact Discharge | ±14000 | V |
| | | IEC 61000-4-2: Powered Contact Discharge | ±8000 | |
| System Level Electrical fast transient (EFT) | CAN bus terminals (CANH, CANL) to GND | IEC 61000-4 Criteria A | ±4000 | V |

6.4 Recommended Operating Conditions

| | | MIN | MAX | UNIT |
|-----------------------|--|-----|-----|------|
| V _{CC} | 5-V Bus Supply Voltage Range | 4.5 | 5.5 | V |
| V _{IO} | I/O Level-Shifting Voltage Range | 2.8 | 5.5 | |
| I _{OH} (RXD) | RXD terminal HIGH level output current | -2 | 2 | mA |
| I _{OL} (RXD) | RXD terminal LOW level output current | | | |

6.5 Thermal Information

| Thermal Metric ⁽¹⁾ | | TEST CONDITIONS | TCAN1051-Q1 | | |
|-------------------------------|--|---------------------------|-------------|------------|------|
| | | | D (SOIC) | DRB (VSON) | Unit |
| | | | 8 Pins | 8 Pins | |
| R _{θJA} | Junction-to-air thermal resistance | High-K thermal resistance | 105.8 | 40.2 | °C/W |
| R _{θJB} | Junction-to-board thermal resistance | | 46.8 | 49.7 | °C/W |
| R _{θJC(TOP)} | Junction-to-case (top) thermal resistance | | 48.3 | 15.7 | °C/W |
| Ψ _{JT} | Junction-to-top characterization parameter | | 8.7 | 0.6 | °C/W |
| Ψ _{JB} | Junction-to-board characterization parameter | | 46.2 | 15.9 | °C/W |
| T _{TSD} | Thermal shutdown temperature | | 170 | 170 | °C |
| T _{TSD_HYS} | Thermal shutdown hysteresis | | 5 | 5 | °C |

- (1) For more information about traditional and new thermal metrics, see the [Semiconductor and IC Package Thermal Metrics](#) application report.

6.6 Power Rating

| PARAMETER | | TEST CONDITIONS | POWER DISSIPATION | UNIT |
|----------------|---------------------------|--|-------------------|------|
| P _D | Average power dissipation | V _{CC} = 5 V, V _{IO} = 5 V (if applicable), T _J = 27°C, R _L = 60 Ω, S at 0 V, Input to TXD at 250 kHz, C _{L_RXD} = 15 pF. Typical CAN operating conditions at 500 kbps with 25% transmission (dominant) rate. | 52 | mW |
| | | V _{CC} = 5.5 V, V _{IO} = 5.5 V (if applicable), T _J = 150°C, R _L = 50 Ω, S at 0 V, Input to TXD at 500 kHz, C _{L_RXD} = 15 pF. Typical high load CAN operating conditions at 1 Mbps with 50% transmission (dominant) rate and loaded network. | 124 | mW |

6.7 Electrical Characteristics

Over recommended operating conditions, $T_A = -55^\circ\text{C}$ to 125°C (unless otherwise noted).

| PARAMETER | | TEST CONDITIONS | MIN | TYP ⁽¹⁾ | MAX | UNIT | |
|---|---|------------------------------------|--|---------------------|------|---------------|------|
| Supply Characteristics | | | | | | | |
| I_{CC} | 5-V Supply current | Normal mode (dominant) | See 7-1 , TXD = 0 V, $R_L = 60\ \Omega$, $C_L = \text{open}$, $R_{CM} = \text{open}$, S = 0V | 40 | 70 | mA | |
| | | | See 7-1 , TXD = 0 V, $R_L = 50\ \Omega$, $C_L = \text{open}$, $R_{CM} = \text{open}$, S = 0V | 45 | 80 | | |
| | | Normal mode (dominant – bus fault) | See 7-1 , TXD = 0 V, S = 0V, CANH = -12V, $R_L = \text{open}$, $C_L = \text{open}$, $R_{CM} = \text{open}$ | | 180 | | |
| | | Normal mode (recessive) | See 7-1 , TXD = V_{CC} , $R_L = 50\ \Omega$, $C_L = \text{open}$, $R_{CM} = \text{open}$, S = 0V | 1.5 | 2.5 | | |
| | | Silent mode | See 7-1 , TXD = V_{CC} , $R_L = 50\ \Omega$, $C_L = \text{open}$, $R_{CM} = \text{open}$, S = V_{CC} | 1.5 | 2.5 | | |
| I_{IO} | I/O supply current | Normal and Silent modes | RXD Floating, TXD = S = 0 or 5.5 V | 90 | 300 | μA | |
| UV_{VCC} | Rising undervoltage detection on V_{CC} for protected mode | | All devices | 4.2 | 4.4 | V | |
| | Falling undervoltage detection on V_{CC} for protected mode | | | 3.8 | 4.0 | | 4.25 |
| $V_{HYS(UV_{VCC})}$ | Hysteresis voltage on UV_{VCC} | | | | 200 | | mV |
| UV_{VIO} | Undervoltage detection on V_{IO} for protected mode | | Devices with the "V" Suffix (I/O level-shifting) | 1.3 | 2.75 | V | |
| $V_{HYS(UV_{VIO})}$ | Hysteresis voltage on UV_{VIO} for protected mode | | | | 80 | | mV |
| S Terminal (Mode Select Input) | | | | | | | |
| V_{IH} | High-level input voltage | | Devices with the "V" suffix (I/O level-shifting) | $0.7 \times V_{IO}$ | | V | |
| | | | Devices without the "V" suffix (5-V only) | 2 | | | |
| V_{IL} | Low-level input voltage | | Devices with the "V" suffix (I/O level-shifting) | $0.3 \times V_{IO}$ | | | |
| | | | Devices without the "V" suffix (5-V only) | 0.8 | | | |
| I_{IH} | High-level input leakage current | | S = V_{CC} or $V_{IO} = 5.5\ \text{V}$ | | 30 | μA | |
| I_{IL} | Low-level input leakage current | | S = 0 V, $V_{CC} = V_{IO} = 5.5\ \text{V}$ | -2 | 0 | | 2 |
| $I_{IKG(OFF)}$ | Unpowered leakage current | | S = 5.5 V, $V_{CC} = V_{IO} = 0\ \text{V}$ | -1 | | | 1 |
| TXD Terminal (CAN Transmit Data Input) | | | | | | | |
| V_{IH} | High-level input voltage | | Devices with the "V" suffix (I/O level-shifting) | $0.7 \times V_{IO}$ | | V | |
| | | | Devices without the "V" suffix (5-V only) | 2 | | | |
| V_{IL} | Low-level input voltage | | Devices with the "V" suffix (I/O level-shifting) | $0.3 \times V_{IO}$ | | | |
| | | | Devices without the "V" suffix (5-V only) | 0.8 | | | |
| I_{IH} | High-level input leakage current | | TXD = $V_{CC} = V_{IO} = 5.5\ \text{V}$ | -2.5 | 0 | 1 | |
| I_{IL} | Low-level input leakage current | | TXD = 0 V, $V_{CC} = V_{IO} = 5.5\ \text{V}$ | -100 | -25 | -7 | |
| $I_{IKG(OFF)}$ | Unpowered leakage current | | TXD = 5.5 V, $V_{CC} = V_{IO} = 0\ \text{V}$ | -1 | 0 | 1 | |
| C_I | Input capacitance | | $V_{IN} = 0.4 \times \sin(4E6 \times \pi \times t) + 2.5\ \text{V}$ | | 5 | pF | |

6.7 Electrical Characteristics (continued)

Over recommended operating conditions, $T_A = -55^\circ\text{C}$ to 125°C (unless otherwise noted).

| PARAMETER | | TEST CONDITIONS | MIN | TYP ⁽¹⁾ | MAX | UNIT | |
|---|---|--|--|--------------------|------|----------------|-----|
| RXD Terminal (CAN Receive Data Output) | | | | | | | |
| V_{OH} | High-level output voltage | Devices with the "V" suffix (I/O level-shifting), See 7-2 , $I_O = -2\text{ mA}$ | 0.8 × V_{IO} | | | V | |
| | | Devices without the "V" suffix (5-V only), See 7-2 , $I_O = -2\text{ mA}$ | 4 | 4.6 | | | |
| V_{OL} | Low-level output voltage | Devices with the "V" suffix (I/O level-shifting), See 7-2 , $I_O = +2\text{ mA}$ | 0.2 × V_{IO} | | | V | |
| | | Devices without the "V" suffix (5-V only), See 7-2 , $I_O = +2\text{ mA}$ | | 0.2 | 0.4 | | |
| $I_{kg(OFF)}$ | Unpowered leakage current | RXD = 5.5 V, $V_{CC} = 0\text{ V}$, $V_{IO} = 0\text{ V}$ | -1 | 0 | 1 | μA | |
| Driver Electrical Characteristics | | | | | | | |
| $V_{O(DOM)}$ | Bus output voltage (dominant) | CANH | See 8-2 and 7-1 , TXD = 0 V, S = 0 V, $50\ \Omega \leq R_L \leq 65\ \Omega$, $C_L = \text{open}$, $R_{CM} = \text{open}$ | | 2.75 | 4.5 | V |
| | | CANL | | | 0.5 | 2.25 | |
| $V_{O(REC)}$ | Bus output voltage (recessive) | CANH and CANL | See 8-2 and 7-1 , TXD = V_{CC} , $V_{IO} = V_{CC}$, S = V_{CC} or 0 V ⁽²⁾ , $R_L = \text{open}$ (no load), $R_{CM} = \text{open}$ | | 2 | 0.5 × V_{CC} | 3 |
| $V_{OD(DOM)}$ | Differential output voltage (dominant) | CANH - CANL | See 8-2 and 7-1 , TXD = 0 V, S = 0 V, $45\ \Omega \leq R_L < 50\ \Omega$, $C_L = \text{open}$, $R_{CM} = \text{open}$ | | 1.4 | 3 | V |
| | | | See 8-2 and 7-1 , TXD = 0 V, S = 0 V, $50\ \Omega \leq R_L \leq 65\ \Omega$, $C_L = \text{open}$, $R_{CM} = \text{open}$ | | 1.5 | 3 | |
| | | | See 8-2 and 7-1 , TXD = 0 V, S = 0 V, $R_L = 2240\ \Omega$, $C_L = \text{open}$, $R_{CM} = \text{open}$ | | 1.5 | 5 | |
| $V_{OD(REC)}$ | Differential output voltage (recessive) | CANH - CANL | See 8-2 and 7-1 , TXD = V_{CC} , S = 0 V, $R_L = 60\ \Omega$, $C_L = \text{open}$, $R_{CM} = \text{open}$ | | -120 | 12 | mV |
| | | | See 8-2 and 7-1 , TXD = V_{CC} , S = 0 V, $R_L = \text{open}$ (no load), $C_L = \text{open}$, $R_{CM} = \text{open}$ | | -50 | 50 | |
| V_{SYM} | Transient symmetry (dominant or recessive) ($V_{O(CANH)} + V_{O(CANL)} / V_{CC}$) | | See 7-1 and 9-2 , S at 0 V, $R_{term} = 60\ \Omega$, $C_{split} = 4.7\ \text{nF}$, $C_L = \text{open}$, $R_{CM} = \text{open}$, $T_{XD} = 250\ \text{kHz}$, 1 MHz | | 0.9 | 1.1 | V/V |
| V_{SYM_DC} | DC Output symmetry (dominant or recessive) ($V_{CC} - V_{O(CANH)} - V_{O(CANL)}$) | | See 7-1 and 8-2 , S = 0 V, $R_L = 60\ \Omega$, $C_L = \text{open}$, $R_{CM} = \text{open}$ | | -0.4 | 0.4 | V |
| $I_{OS(SS_DOM)}$ | Short-circuit steady-state output current, dominant | | See 8-2 and 7-7 , 7-7 , S at 0 V, $V_{CANH} = -5\text{ V}$ to 40 V, CANH = open, TXD = 0 V | | -100 | | mA |
| | | | See 8-2 and 7-7 , S at 0 V, $V_{CANL} = -5\text{ V}$ to 40 V, CANH = open, TXD = 0 V | | | 100 | |
| $I_{OS(SS_REC)}$ | Short-circuit steady-state output current, recessive | | See 8-2 and 7-7 , $-27\text{ V} \leq V_{BUS} \leq 32\text{ V}$, Where $V_{BUS} = \text{CANH} = \text{CANL}$, TXD = V_{CC} , all modes | | -5 | 5 | mA |

6.7 Electrical Characteristics (continued)

Over recommended operating conditions, $T_A = -55^\circ\text{C}$ to 125°C (unless otherwise noted).

| PARAMETER | | TEST CONDITIONS | MIN | TYP ⁽¹⁾ | MAX | UNIT |
|--|--|--|-----|--------------------|------|---------------|
| Receiver Electrical Characteristics | | | | | | |
| V_{CM} | Common mode range, normal mode | See 图 7-2, 表 8-5 and 表 7-1, $S = 0$ or V_{CC} or V_{IO} | -30 | | +30 | V |
| V_{IT+} | Positive-going input threshold voltage, all modes | See 图 7-2, 表 8-5 and 表 7-1, $S = 0$ or V_{CC} or V_{IO} , $-20\text{ V} \leq V_{CM} \leq +20\text{ V}$ | | | 900 | mV |
| V_{IT-} | Negative-going input threshold voltage, all modes | | 500 | | | |
| V_{IT+} | Positive-going input threshold voltage, all modes | See 图 7-2, 表 8-5 and 表 7-1, $S = 0$ or V_{CC} or V_{IO} , $-30\text{ V} \leq V_{CM} \leq +30\text{ V}$ | | | 1000 | |
| V_{IT-} | Negative-going input threshold voltage, all modes | | 400 | | | |
| V_{HYS} | Hysteresis voltage ($V_{IT+} - V_{IT-}$) | See 图 7-2, 表 8-5 and 表 7-1, $S = 0$ or V_{CC} or V_{IO} | | 120 | | mV |
| $I_{kg(OFF)}$ | Power-off (unpowered) bus input leakage current | $CANH = CANL = 5\text{ V}$, $V_{CC} = V_{IO} = 0\text{ V}$ | | | 4.8 | μA |
| C_I | Input capacitance to ground (CANH or CANL) | $TXD = V_{CC}$, $V_{IO} = V_{CC}$ | | 24 | 30 | pF |
| C_{ID} | Differential input capacitance | $TXD = V_{CC}$, $V_{IO} = V_{CC}$ | | 12 | 15 | pF |
| R_{ID} | Differential input resistance | $TXD = V_{CC} = V_{IO} = 5\text{ V}$, $S = 0\text{ V}$, $-30\text{ V} \leq V_{CM} \leq +30\text{ V}$ | 30 | | 80 | k Ω |
| R_{IN} | Input resistance (CANH or CANL) | | 15 | | 40 | k Ω |
| $R_{IN(M)}$ | Input resistance matching: $[1 - R_{IN(CANH)} / R_{IN(CANL)}] \times 100\%$ | $V_{CANH} = V_{CANL} = 5\text{ V}$ | -2% | | +2% | |

(1) All typical values are at 25°C and supply voltages of $V_{CC} = 5\text{ V}$ and $V_{IO} = 5\text{ V}$, $R_L = 60\ \Omega$.

(2) For the bus output voltage (recessive) will be the same if the device is in Normal mode with S terminal LOW or if the device is in Silent mode with the S terminal is HIGH.

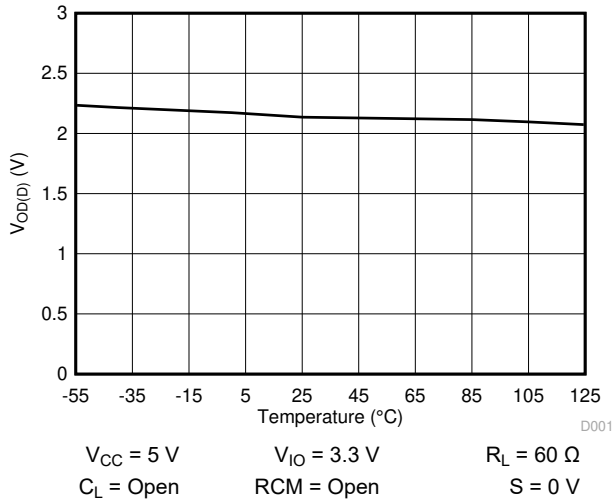
6.8 Switching Characteristics

Over recommended operating conditions with $T_A = -55^{\circ}\text{C}$ to 125°C (unless otherwise noted)

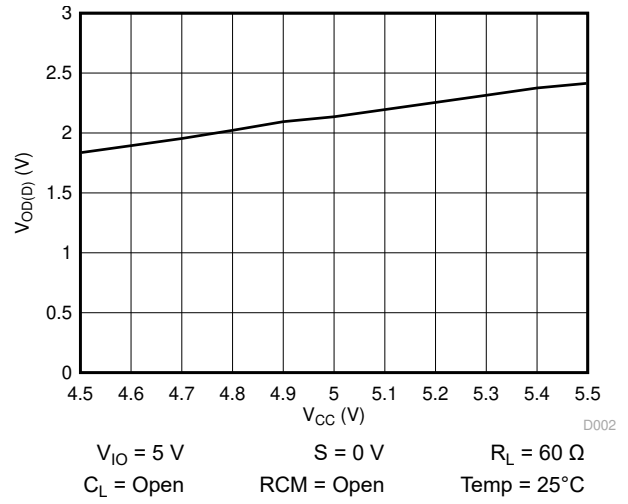
| PARAMETER | | TEST CONDITIONS | MIN | TYP ⁽¹⁾ | MAX | UNIT |
|---|--|---|-----|--------------------|-----|---------------|
| Device Switching Characteristics | | | | | | |
| $t_{\text{PROP(LOOP1)}}$ | Total loop delay, driver input (TXD) to receiver output (RXD), recessive to dominant | See 7-4 , $S = 0\text{ V}$, $R_L = 60\ \Omega$, $C_L = 100\ \text{pF}$, $C_{L(\text{RXD})} = 15\ \text{pF}$ | | 100 | 160 | ns |
| $t_{\text{PROP(LOOP2)}}$ | Total loop delay, driver input (TXD) to receiver output (RXD), dominant to recessive | | | 110 | 175 | |
| t_{MODE} | Mode change time, from Normal to Silent or from Silent to Normal | See 7-3 | | 1 | 10 | μs |
| Driver Switching Characteristics | | | | | | |
| t_{pHR} | Propagation delay time, high TXD to driver recessive (dominant to recessive) | See 7-1 , $S = 0\text{ V}$, $R_L = 60\ \Omega$, $C_L = 100\ \text{pF}$, $R_{\text{CM}} = \text{open}$ | | 75 | | ns |
| t_{pLD} | Propagation delay time, low TXD to driver dominant (recessive to dominant) | | | 55 | | |
| $t_{\text{sk(p)}}$ | Pulse skew ($ t_{\text{pHR}} - t_{\text{pLD}} $) | | | 20 | | |
| t_{R} | Differential output signal rise time | | | 45 | | |
| t_{F} | Differential output signal fall time | | | 45 | | |
| $t_{\text{TXD_DTO}}$ | Dominant timeout | See 7-6 , $S = 0\text{ V}$, $R_L = 60\ \Omega$, $C_L = \text{open}$ | 1.2 | | 3.8 | ms |
| Receiver Switching Characteristics | | | | | | |
| t_{pRH} | Propagation delay time, bus recessive input to high output (Dominant to Recessive) | See 7-2 , $S = 0\text{ V}$, $C_{L(\text{RXD})} = 15\ \text{pF}$ | | 65 | | ns |
| t_{pDL} | Propagation delay time, bus dominant input to low output (Recessive to Dominant) | | | 50 | | ns |
| t_{R} | RXD Output signal rise time | | | 10 | | ns |
| t_{F} | RXD Output signal fall time | | | 10 | | ns |
| FD Timing Parameters | | | | | | |
| $t_{\text{BIT(BUS)}}$ | Bit time on CAN bus output pins with $t_{\text{BIT(TXD)}} = 500\ \text{ns}$, all devices | See 7-5 , $S = 0\text{ V}$, $R_L = 60\ \Omega$, $C_L = 100\ \text{pF}$, $C_{L(\text{RXD})} = 15\ \text{pF}$, $\Delta t_{\text{REC}} = t_{\text{BIT(RXD)}} - t_{\text{BIT(BUS)}}$ | | 435 | 530 | ns |
| | Bit time on CAN bus output pins with $t_{\text{BIT(TXD)}} = 200\ \text{ns}$, G device variants only | | | 155 | 210 | |
| $t_{\text{BIT(RXD)}}$ | Bit time on RXD output pins with $t_{\text{BIT(TXD)}} = 500\ \text{ns}$, all devices | | | 400 | 550 | |
| | Bit time on RXD output pins with $t_{\text{BIT(TXD)}} = 200\ \text{ns}$, G device variants only | | | 120 | 220 | |
| Δt_{REC} | Receiver timing symmetry with $t_{\text{BIT(TXD)}} = 500\ \text{ns}$, all devices | | | -65 | 40 | |
| | Receiver timing symmetry with $t_{\text{BIT(TXD)}} = 200\ \text{ns}$, G device variants only | | | -45 | 15 | |

(1) All typical values are at 25°C and supply voltages of $V_{\text{CC}} = 5\text{ V}$ and $V_{\text{IO}} = 5\text{ V}$ (if applicable), $R_L = 60\ \Omega$

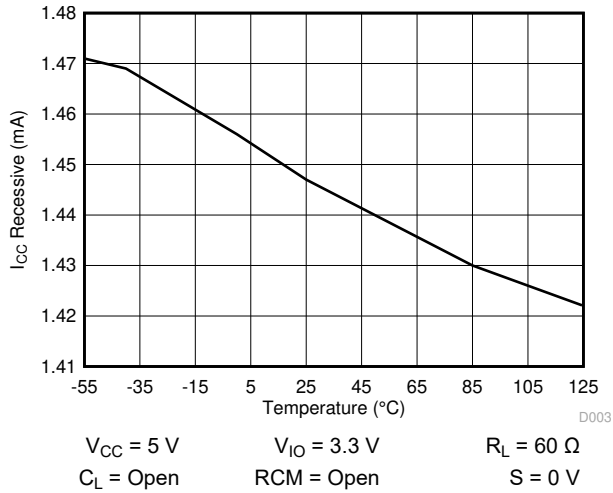
6.9 Typical Characteristics



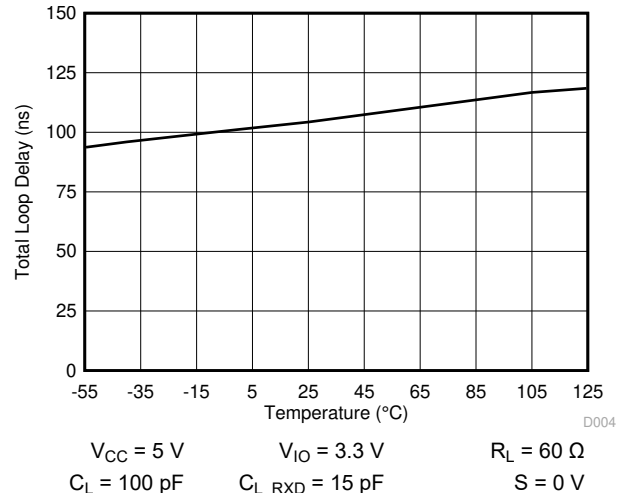
⊠ 6-1. $V_{OD(D)}$ over Temperature



⊠ 6-2. $V_{OD(D)}$ over V_{CC}



⊠ 6-3. I_{CC} Recessive over Temperature



⊠ 6-4. Total Loop Delay over Temperature

7 Parameter Measurement Information



图 7-1. Driver Test Circuit and Measurement

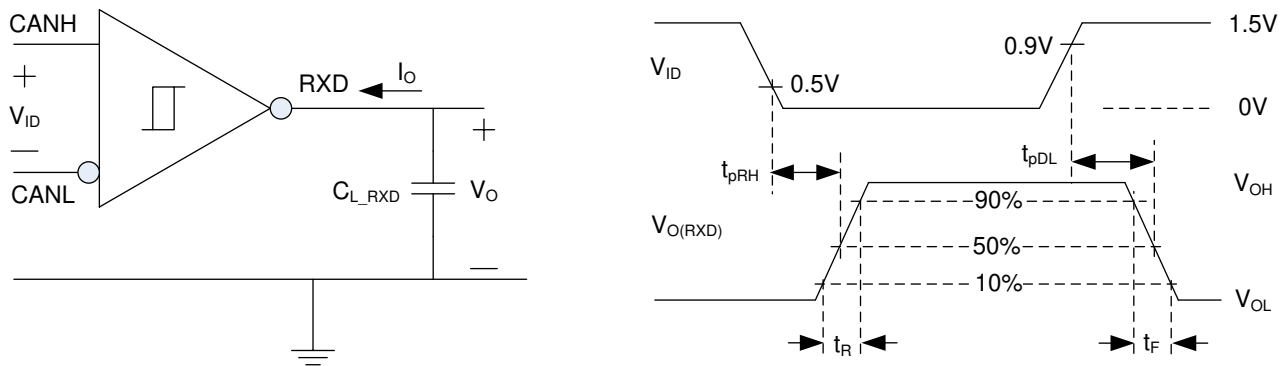
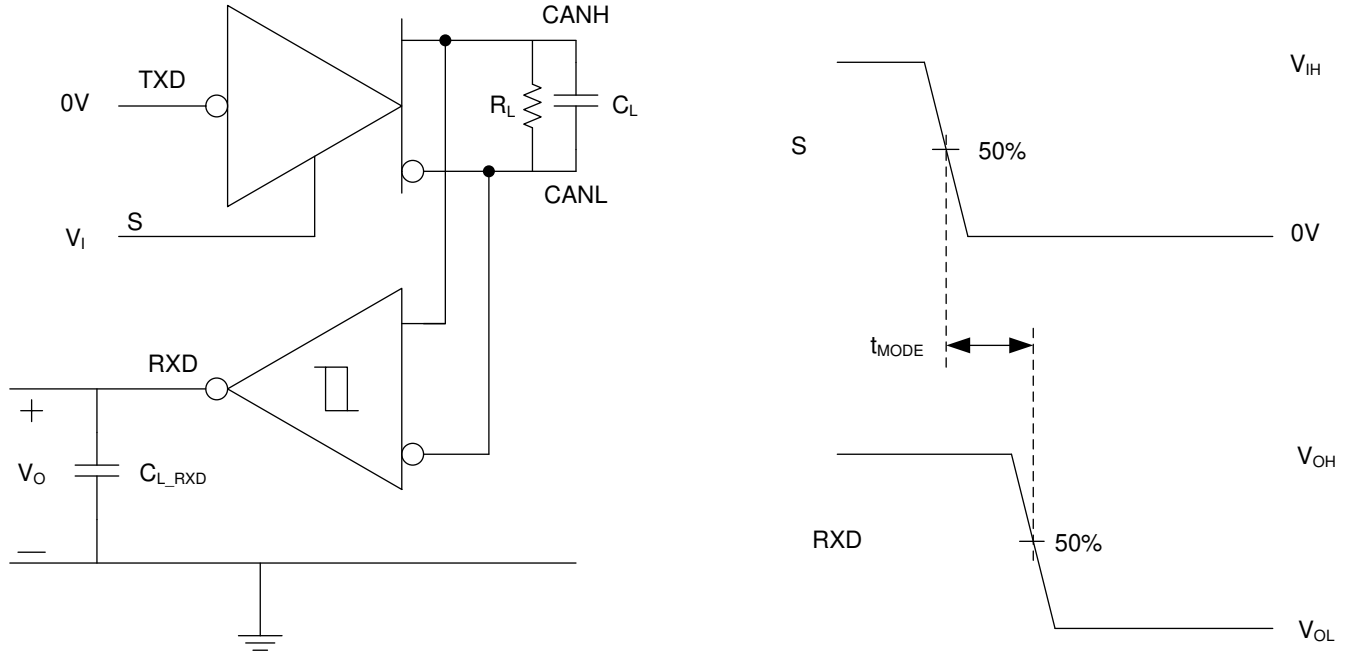


图 7-2. Receiver Test Circuit and Measurement

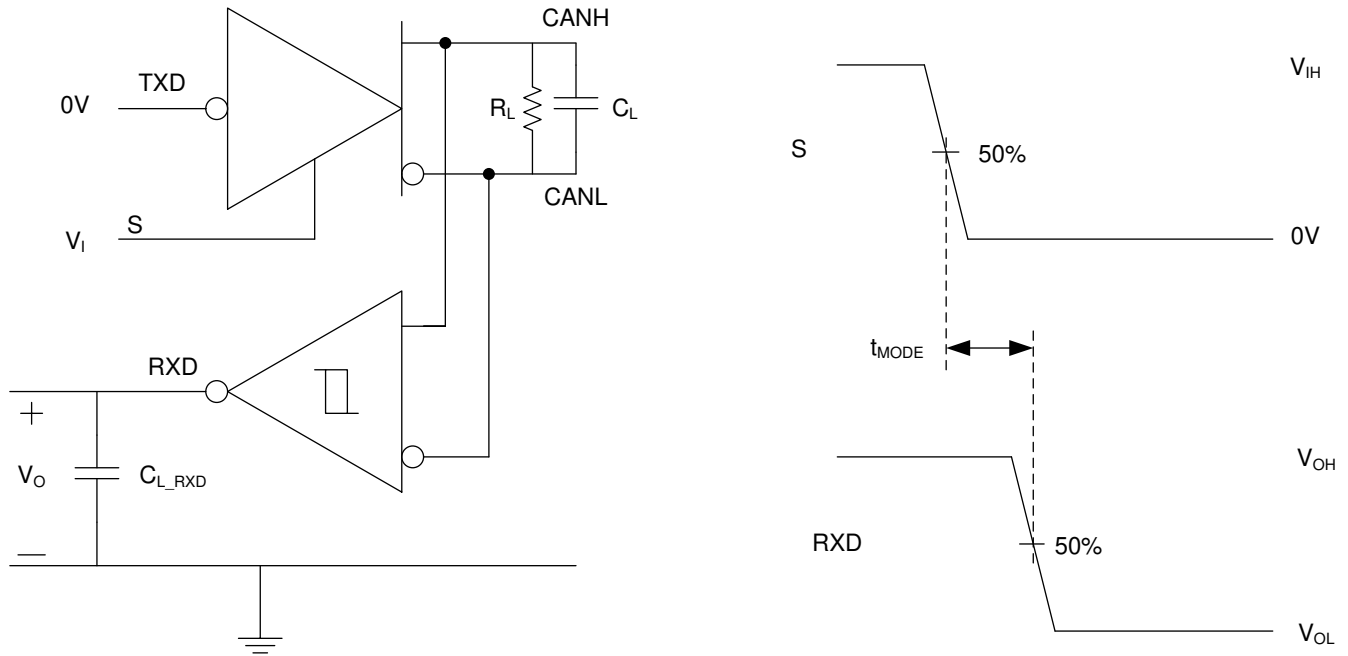
表 7-1. Receiver Differential Input Voltage Threshold Test

| INPUT (See Receiver Test Circuit and Measurement) | | | OUTPUT | |
|---|-------------------|-----------------|--------|-----------------|
| V _{CANH} | V _{CANL} | V _{ID} | RXD | |
| -29.5 V | -30.5 V | 1000 mV | L | V _{OL} |
| 30.5 V | 29.5 V | 1000 mV | L | |
| -19.55 V | -20.45 V | 900 mV | L | |
| 20.45 V | 19.55 V | 900 mV | L | |
| -19.75 V | -20.25 V | 500 mV | H | V _{OH} |
| 20.25 V | 19.75 V | 500 mV | H | |
| -29.8 V | -30.2 V | 400 mV | H | |
| 30.2 V | 29.8 V | 400 mV | H | |
| Open | Open | X | H | |



Copyright © 2016, Texas Instruments Incorporated

7-3. t_{MODE} Test Circuit and Measurement



Copyright © 2016, Texas Instruments Incorporated

7-4. $T_{PROP(LOOP)}$ Test Circuit and Measurement

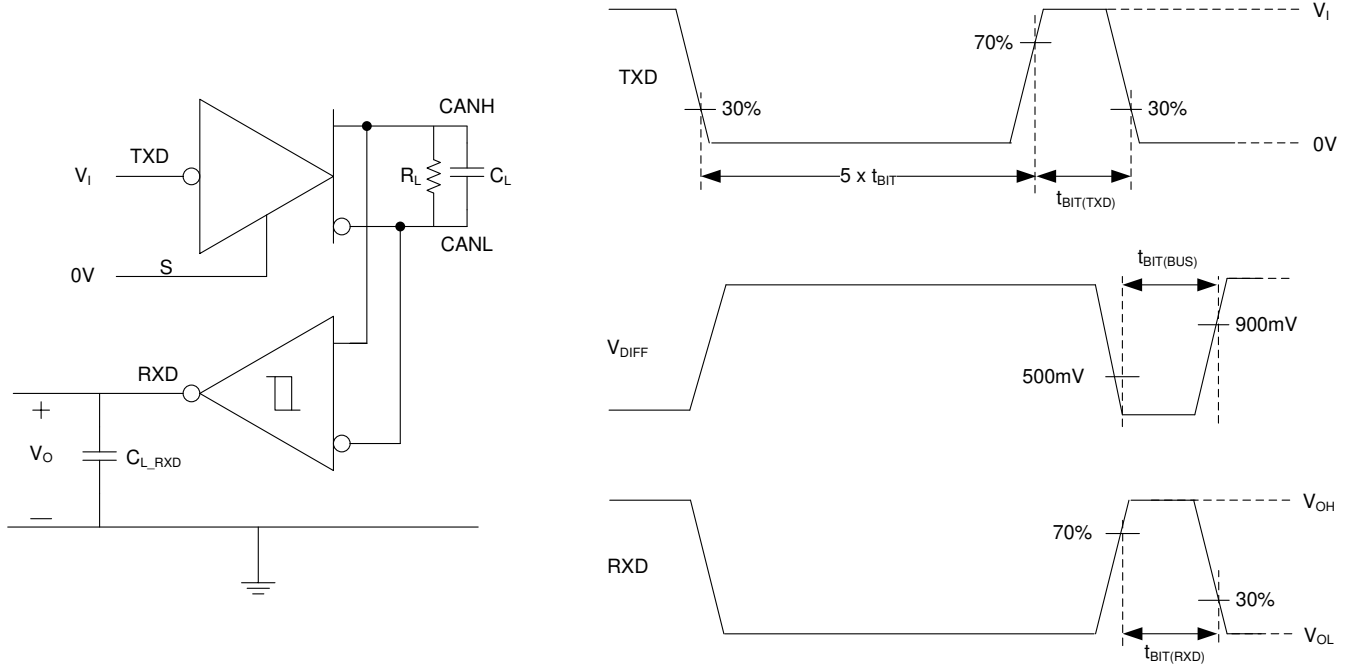
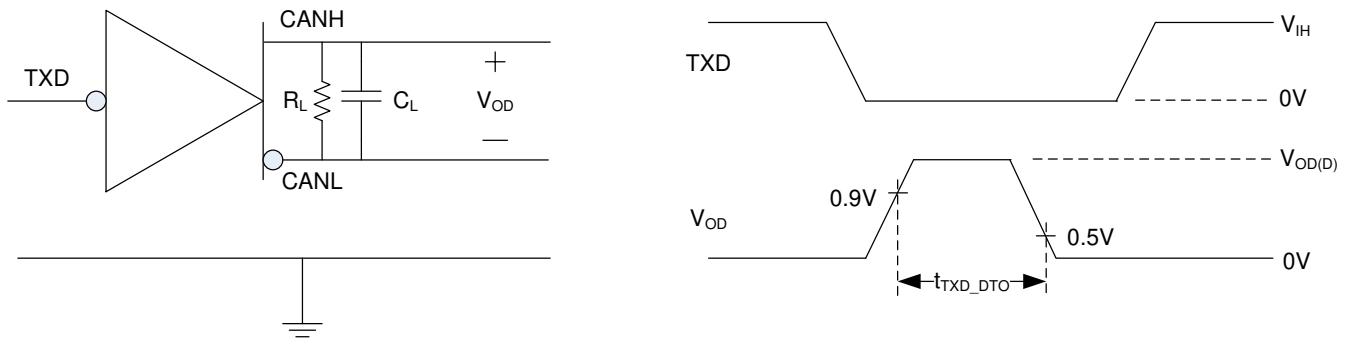
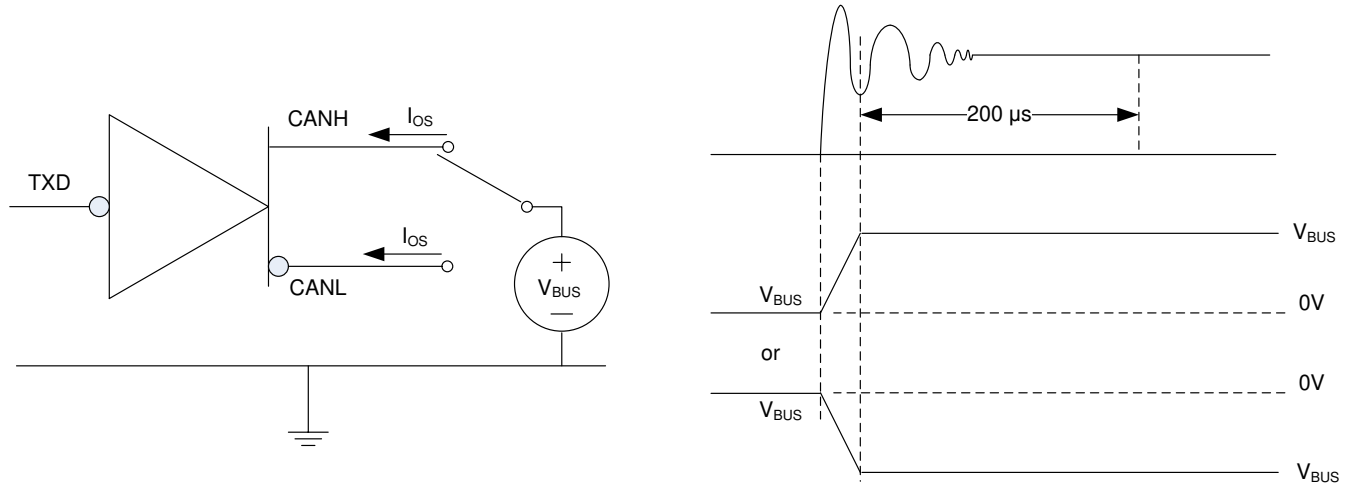


图 7-5. CAN FD Timing Parameter Measurement



Copyright © 2016, Texas Instruments Incorporated

图 7-6. TXD Dominant Timeout Test Circuit and Measurement



Copyright © 2016, Texas Instruments Incorporated

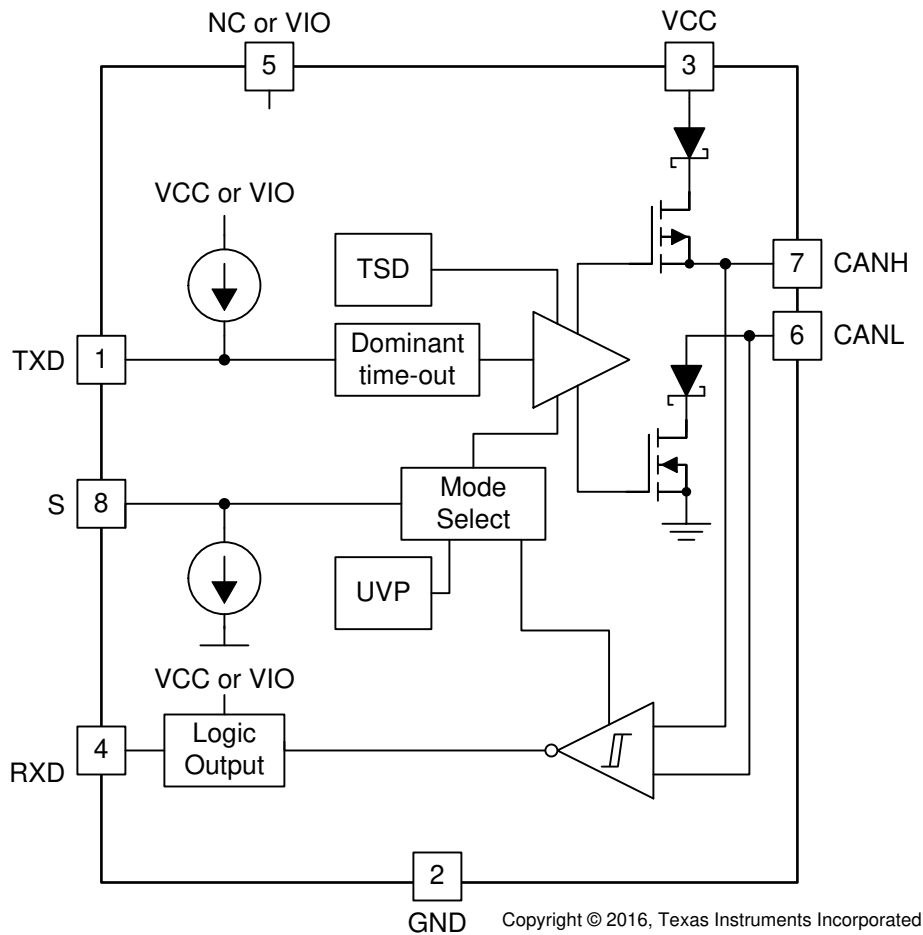
7-7. Driver Short Circuit Current Test and Measurement

8 Detailed Description

8.1 Overview

These CAN transceivers meet the ISO11898-2 (2016) High Speed CAN (Controller Area Network) physical layer standard. They are designed for data rates in excess of 1 Mbps for CAN FD and enhanced timing margin / higher data rates in long and highly-loaded networks. These devices provide many protection features to enhance device and CAN robustness.

8.2 Functional Block Diagram



8.3 Feature Description

8.3.1 TXD Dominant Timeout (DTO)

During normal mode (the only mode where the CAN driver is active), the TXD DTO circuit prevents the transceiver from blocking network communication in the event of a hardware or software failure where TXD is held dominant longer than the timeout period t_{TXD_DTO} . The DTO circuit timer starts on a falling edge on TXD. The DTO circuit disables the CAN bus driver if no rising edge is seen before the timeout period expires. This frees the bus for communication between other nodes on the network. The CAN driver is re-activated when a recessive signal is seen on the TXD terminal, thus clearing the TXD DTO condition. The receiver and RXD terminal still reflect activity on the CAN bus, and the bus terminals are biased to the recessive level during a TXD dominant timeout.

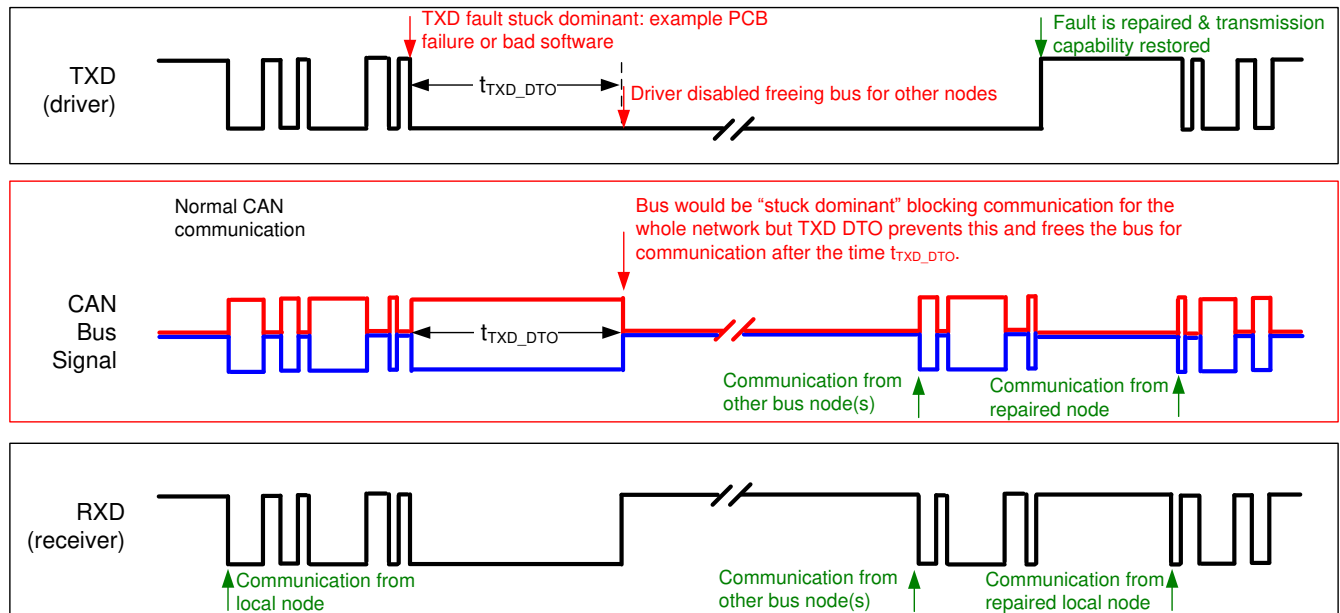


图 8-1. Example Timing Diagram for TXD DTO

Note

The minimum dominant TXD time allowed by the TXD DTO circuit limits the minimum possible transmitted data rate of the device. The CAN protocol allows a maximum of eleven successive dominant bits (on TXD) for the worst case, where five successive dominant bits are followed immediately by an error frame. This, along with the t_{TXD_DTO} minimum, limits the minimum data rate. Calculate the minimum transmitted data rate by: Minimum Data Rate = $11 / t_{TXD_DTO}$.

8.3.2 Thermal Shutdown (TSD)

If the junction temperature of the device exceeds the thermal shutdown threshold (T_{TSD}), the device turns off the CAN driver circuits thus blocking the TXD-to-bus transmission path. The CAN bus terminals are biased to the recessive level during a thermal shutdown, and the receiver-to-RXD path remains operational. The shutdown condition is cleared when the junction temperature drops at least the thermal shutdown hysteresis temperature (T_{TSD_HYS}) below the thermal shutdown temperature (T_{TSD}) of the device.

8.3.3 Undervoltage Lockout

The supply terminals have undervoltage detection that places the device in protected mode. This protects the bus during an undervoltage event on either the V_{CC} or V_{IO} supply terminals.

表 8-1. Undervoltage Lockout 5 V Only Devices (Devices without the "V" Suffix)

| V_{CC} | DEVICE STATE ⁽¹⁾ | BUS OUTPUT | RXD |
|--------------|-----------------------------|----------------|----------------------------|
| $> UV_{VCC}$ | Normal | Per TXD | Mirrors Bus ⁽²⁾ |
| $< UV_{VCC}$ | Protected | High Impedance | High Impedance |

- (1) See the V_{IT} section of the Electrical Characteristics.
 (2) Mirrors bus state: low if CAN bus is dominant, high if CAN bus is recessive.

表 8-2. Undervoltage Lockout I/O Level Shifting Devices (Devices with the "V" Suffix)

| V_{CC} | V_{IO} | DEVICE STATE | BUS OUTPUT | RXD |
|--------------|--------------|--------------|----------------|----------------------------|
| $> UV_{VCC}$ | $> UV_{VIO}$ | Normal | Per TXD | Mirrors Bus ⁽¹⁾ |
| $< UV_{VCC}$ | $> UV_{VIO}$ | Protected | High Impedance | High (Recessive) |
| $> UV_{VCC}$ | $< UV_{VIO}$ | Protected | High Impedance | High Impedance |
| $< UV_{VCC}$ | $< UV_{VIO}$ | Protected | High Impedance | High Impedance |

- (1) Mirrors bus state: low if CAN bus is dominant, high if CAN bus is recessive.

Note

After an undervoltage condition is cleared and the supplies have returned to valid levels, the device typically resumes normal operation within 50 μ s.

8.3.4 Unpowered Device

The device is designed to be 'ideal passive' or 'no load' to the CAN bus if it is unpowered. The bus terminals (CANH, CANL) have extremely low leakage currents when the device is unpowered to avoid loading down the bus. This is critical if some nodes of the network are unpowered while the rest of the of network remains in operation. The logic terminals also have extremely low leakage currents when the device is unpowered to avoid loading down other circuits that may remain powered.

8.3.5 Floating Terminals

These devices have internal pull ups on critical terminals to place the device into known states if the terminals float. The TXD terminal is pulled up to V_{CC} or V_{IO} to force a recessive input level if the terminal floats. The S terminal is also pulled down to force the device into Normal mode if the terminal floats.

8.3.6 CAN Bus Short Circuit Current Limiting

The device has two protection features that limit the short circuit current when a CAN bus line is short-circuit fault condition: driver current limiting (both dominant and recessive states) and TXD dominant state time out to prevent permanent higher short circuit current of the dominant state during a system fault. During CAN communication the bus switches between dominant and recessive states, thus the short circuit current may be viewed either as the instantaneous current during each bus state or as an average current of the two states. For system current (power supply) and power considerations in the termination resistors and common-mode choke ratings, use the average short circuit current. Determine the ratio of dominant and recessive bits by the data in the CAN frame plus the following factors of the protocol and PHY that force either recessive or dominant at certain times:

- Control fields with set bits
- Bit stuffing
- Interframe space
- TXD dominant time out (fault case limiting)

These ensure a minimum recessive amount of time on the bus even if the data field contains a high percentage of dominant bits. The short circuit current of the bus depends on the ratio of recessive to dominant bits and their respective short circuit currents. The average short circuit current may be calculated with the following formula:

$$I_{OS(AVG)} = \%Transmit \times [(\%REC_Bits \times I_{OS(SS)_REC}) + (\%DOM_Bits \times I_{OS(SS)_DOM})] + [\%Receive \times I_{OS(SS)_REC}] \quad (1)$$

Where:

- $I_{OS(AVG)}$ is the average short circuit current
- %Transmit is the percentage the node is transmitting CAN messages
- %Receive is the percentage the node is receiving CAN messages
- %REC_Bits is the percentage of recessive bits in the transmitted CAN messages
- %DOM_Bits is the percentage of dominant bits in the transmitted CAN messages
- $I_{OS(SS)_REC}$ is the recessive steady state short circuit current
- $I_{OS(SS)_DOM}$ is the dominant steady state short circuit current

Note

Consider the short circuit current and possible fault cases of the network when sizing the power ratings of the termination resistance and other network components.

8.3.7 Digital Inputs and Outputs

8.3.7.1 5-V V_{CC} Only Devices (Devices without the "V" Suffix):

The 5-V V_{CC} only devices are supplied by a single 5-V rail. The digital inputs have TTL input thresholds and are therefore 5 V and 3.3 V compatible. The RXD outputs on these devices are driven to the V_{CC} rail for logic high output. Additionally, the TXD pin is internally pulled up to V_{CC} , and the S pin is pulled low to GND. The internal bias of the mode pins may only place the device into a known state if the terminals float, they may not be adequate for system-level biasing during transients or noisy environments.

Note

TXD pull up strength and CAN bit timing require special consideration when these devices are used with CAN controllers with an open-drain TXD output. An adequate external pull up resistor must be used to ensure that the CAN controller output of the microcontroller maintains adequate bit timing to the TXD input.

8.3.7.2 5 V V_{CC} with V_{IO} I/O Level Shifting (Devices with the "V" Suffix):

These devices use a 5 V V_{CC} power supply for the CAN driver and high speed receiver blocks. These transceivers have a second power supply for I/O level-shifting (V_{IO}). This supply is used to set the CMOS input thresholds of the TXD and S pins and the RXD high level output voltage. Additionally, the TXD pin is internally pulled up to V_{IO} , and the S pin is pulled low to GND.

8.4 Device Functional Modes

The device has two main operating modes: Normal mode and Silent mode. Operating mode selection is made via the S input terminal.

表 8-3. Operating Modes

| S Terminal | MODE | DRIVER | RECEIVER | RXD Terminal |
|------------|-------------|----------------|--------------|----------------------------------|
| LOW | Normal Mode | Enabled (ON) | Enabled (ON) | Mirrors Bus State ⁽¹⁾ |
| HIGH | Silent Mode | Disabled (OFF) | Enabled (ON) | Mirrors Bus State ⁽¹⁾ |

(1) Mirrors bus state: low if CAN bus is dominant, high if CAN bus is recessive.

8.4.1 CAN Bus States

The CAN bus has two states during powered operation of the device: *dominant* and *recessive*. A dominant bus state is when the bus is driven differentially, corresponding to a logic low on the TXD and RXD terminal. A recessive bus state is when the bus is biased to $V_{CC} / 2$ via the high-resistance internal input resistors R_{IN} of the receiver, corresponding to a logic high on the TXD and RXD terminals.

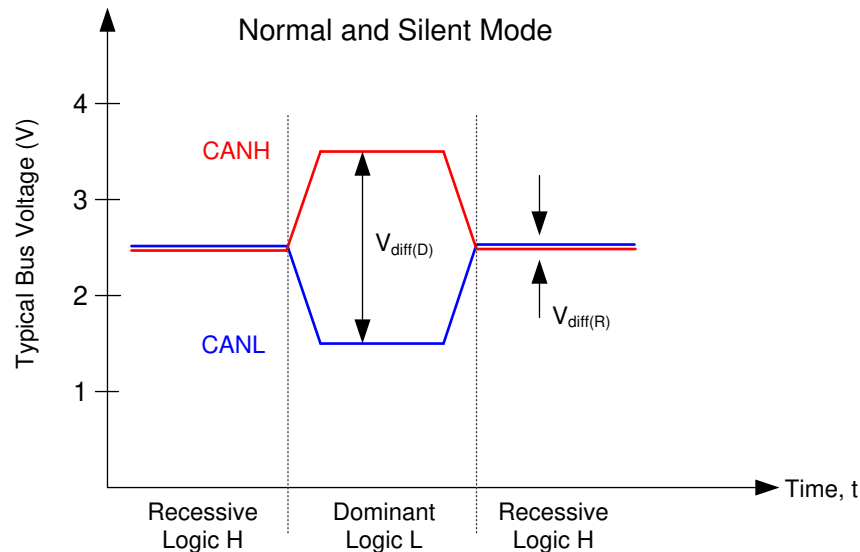


图 8-2. Bus States (Physical Bit Representation)

8.4.2 Normal Mode

Select the *Normal mode* of device operation by setting S terminal low. The CAN driver and receiver are fully operational and CAN communication is bi-directional. The driver translates a digital input on TXD to a differential output on CANH and CANL. The receiver translates the differential signal from CANH and CANL to a digital output on RXD.

8.4.3 Silent Mode

Activate *Silent mode* by setting S terminal high. The CAN driver is disabled, preventing communication from the TXD pin to the CAN bus. The high speed receiver remains active so that CAN bus communication continues to be relayed to the RXD output pin.

8.4.4 Driver and Receiver Function Tables

表 8-4. Driver Function Table

| DEVICE | INPUTS | | OUTPUTS | | DRIVEN BUS STATE |
|-------------|------------------|------------------------|---------------------|---------------------|------------------|
| | S ⁽¹⁾ | TXD ^{(1) (2)} | CANH ⁽¹⁾ | CANL ⁽¹⁾ | |
| All Devices | L or open | L | H | L | Dominant |
| | | H or Open | Z | Z | Recessive |
| | H | X | Z | Z | Recessive |

- (1) H = high level, L = low level, X = irrelevant, Z = common mode (recessive) bias to $V_{CC} / 2$. See [CAN Bus States](#) for bus state and common mode bias information.
- (2) Devices have an internal pull up to V_{CC} or V_{IO} on TXD terminal. If the TXD terminal is open, the terminal is pulled high and the transmitter remain in recessive (non-driven) state.

表 8-5. Receiver Function Table

| DEVICE MODE | CAN DIFFERENTIAL INPUTS $V_{ID} = V_{CANH} - V_{CANL}$ | BUS STATE | RXD TERMINAL ⁽¹⁾ |
|------------------|---|-----------|-----------------------------|
| Normal or Silent | $V_{ID} \geq V_{IT+(MAX)}$ | Dominant | L ⁽²⁾ |
| | $V_{IT-(MIN)} < V_{ID} < V_{IT+(MAX)}$ | ? | ? ⁽²⁾ |
| | $V_{ID} \leq V_{IT-(MIN)}$ | Recessive | H ⁽²⁾ |
| | Open ($V_{ID} \approx 0$ V) | Open | H |

- (1) H = high level, L = low level, ? = indeterminate.
- (2) See *Receiver Electrical Characteristics* section for input thresholds.

9 Application Information Disclaimer

Note

Information in the following applications sections is not part of the TI component specification, and TI does not warrant its accuracy or completeness. TI's customers are responsible for determining suitability of components for their purposes, as well as validating and testing their design implementation to confirm system functionality.

9.1 Application Information

These CAN transceivers are typically used in applications with a host microprocessor or FPGA that includes the data link layer portion of the CAN protocol. Below are typical application configurations for both 5 V and 3.3 V microprocessor applications. The bus termination is shown for illustrative purposes.

9.2 Typical Applications

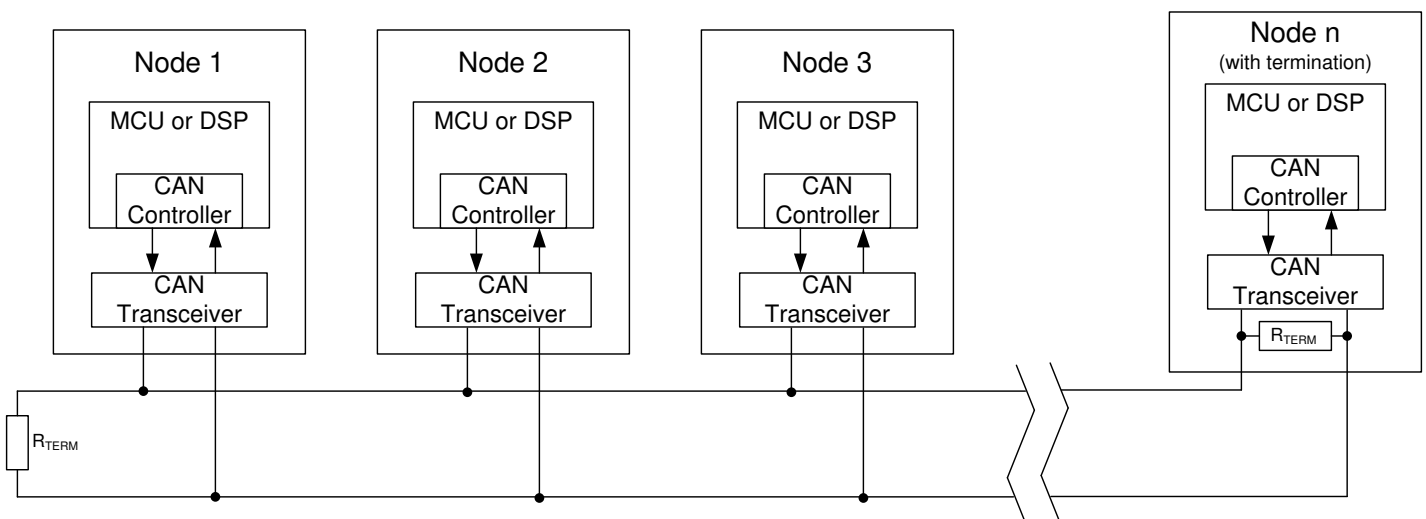


FIG 9-1. Typical CAN Bus Application

9.2.1 Design Requirements

9.2.1.1 Bus Loading, Length and Number of Nodes

The ISO 11898-2 Standard specifies a maximum bus length of 40 m and maximum stub length of 0.3 m. However, with careful design, users can have longer cables, longer stub lengths, and many more nodes to a bus. A large number of nodes requires transceivers with high input impedance such as the TCAN1051 family of transceivers.

Many CAN organizations and standards have scaled the use of CAN for applications outside the original ISO 11898-2. They have made system-level trade-offs for data rate, cable length, and parasitic loading of the bus. Examples of some of these specifications are ARINC825, CANopen, DeviceNet and NMEA2000.

The TCAN1051 family is specified to meet the 1.5 V requirement with a 50Ω load, incorporating the worst case including parallel transceivers. The differential input resistance of the TCAN1051 family is a minimum of 30 kΩ. If 100 TCAN1051 family transceivers are in parallel on a bus, this is equivalent to a 300Ω differential load worst case. That transceiver load of 300 Ω in parallel with the 60Ω gives an equivalent loading of 50 Ω. Therefore, the TCAN1051 family theoretically supports up to 100 transceivers on a single bus segment. However, for CAN network design margin must be given for signal loss across the system and cabling, parasitic loadings, network imbalances, ground offsets and signal integrity thus a practical maximum number of nodes is typically much lower. Bus length may also be extended beyond the original ISO 11898 standard of 40 m by careful system design and data rate tradeoffs. For example CANopen network design guidelines allow the network to be up to 1 km with changes in the termination resistance, cabling, less than 64 nodes and significantly lowered data rate.

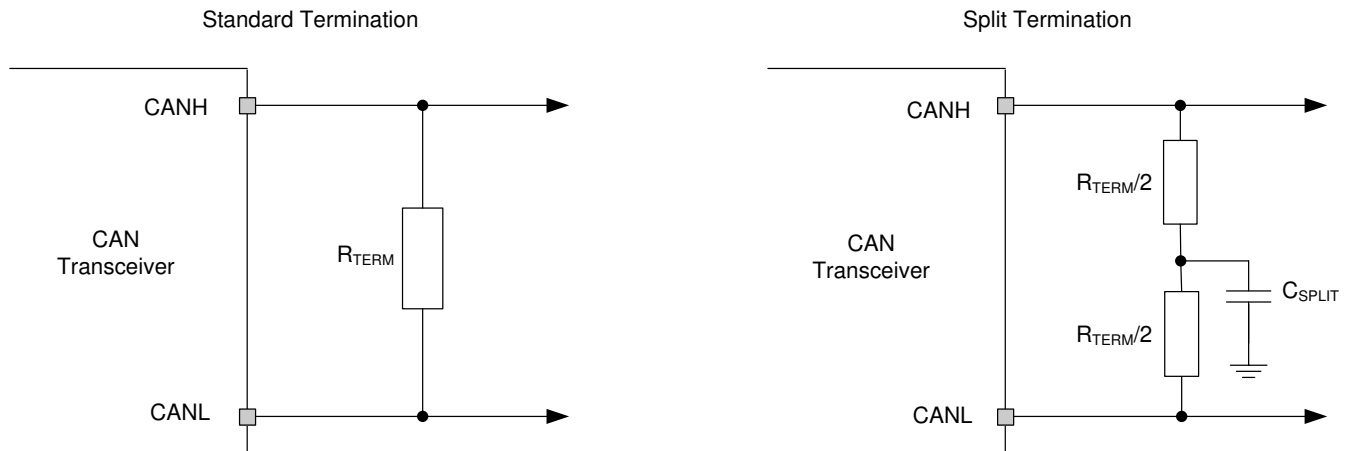
This flexibility in CAN network design is one of the key strengths of the various extensions and additional standards that have been built on the original ISO 11898-2 CAN standard. In using this flexibility comes the responsibility of good network design and balancing these tradeoffs.

9.2.2 Detailed Design Procedures

9.2.2.1 CAN Termination

The ISO 11898 standard specifies the interconnect to be a twisted pair cable (shielded or unshielded) with 120-Ω characteristic impedance (Z_0). Resistors equal to the characteristic impedance of the line should be used to terminate both ends of the cable to prevent signal reflections. Unterminated drop lines (stubs) connecting nodes to the bus should be kept as short as possible to minimize signal reflections. The termination may be on the cable or in a node, but if nodes may be removed from the bus, the termination must be carefully placed so that two terminations always exist on the network.

Termination may be a single 120-Ω resistor at the end of the bus, either on the cable or in a terminating node. If filtering and stabilization of the common mode voltage of the bus is desired, then split termination may be used. (See [Figure 9-2](#)). Split termination improves the electromagnetic emissions behavior of the network by eliminating fluctuations in the bus common-mode voltages at the start and end of message transmissions.



Copyright © 2016, Texas Instruments Incorporated

Figure 9-2. CAN Bus Termination Concepts

The TCAN1051 family of transceivers have variants for both 5-V only applications and applications where level shifting is needed for a 3.3-V microcontroller.

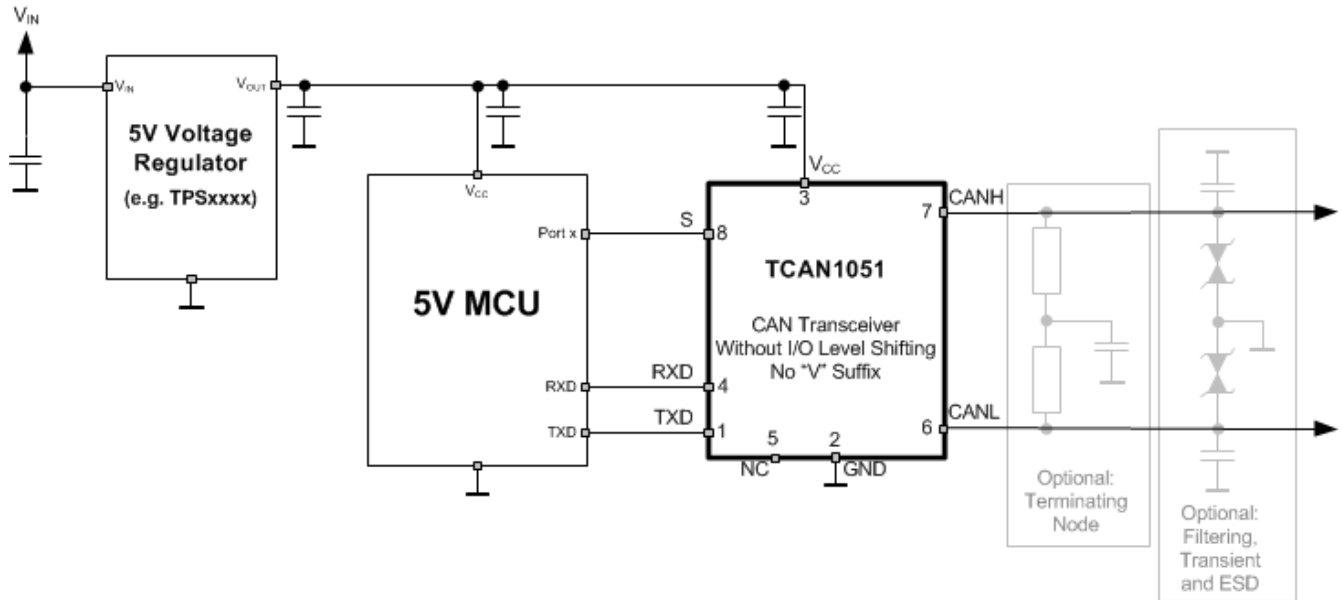


Figure 9-3. Typical CAN Bus Application Using 5 V CAN Controller

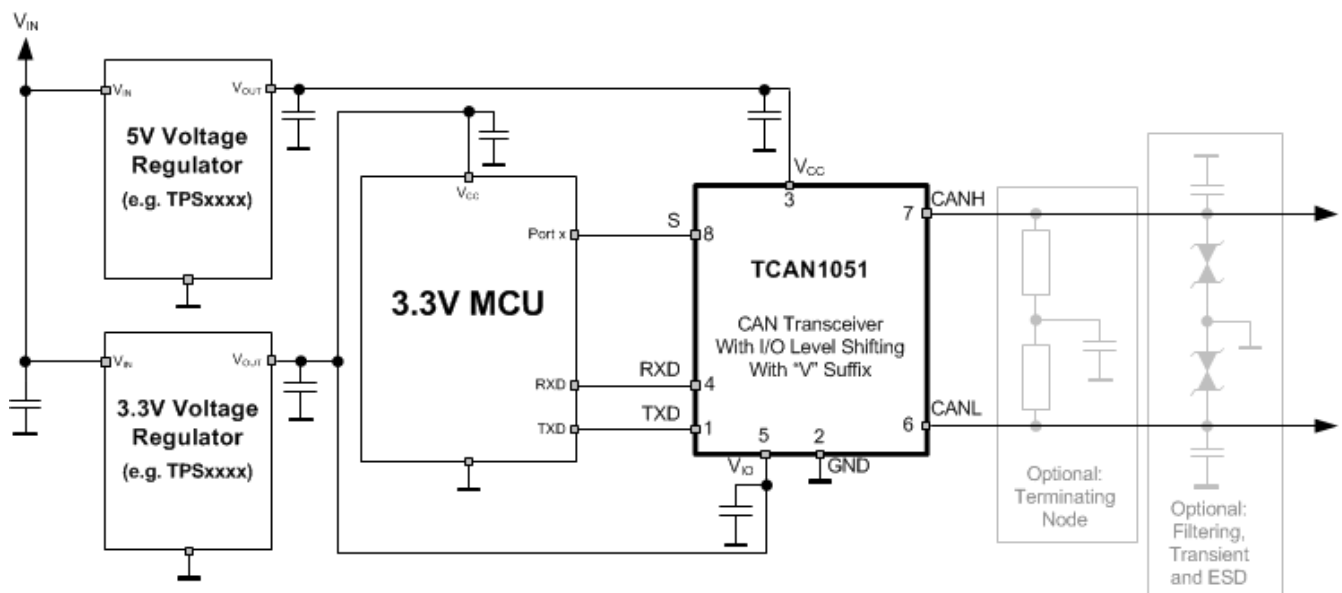


Figure 9-4. Typical CAN Bus Application Using 3.3 V CAN Controller

9.2.3 Application Curves

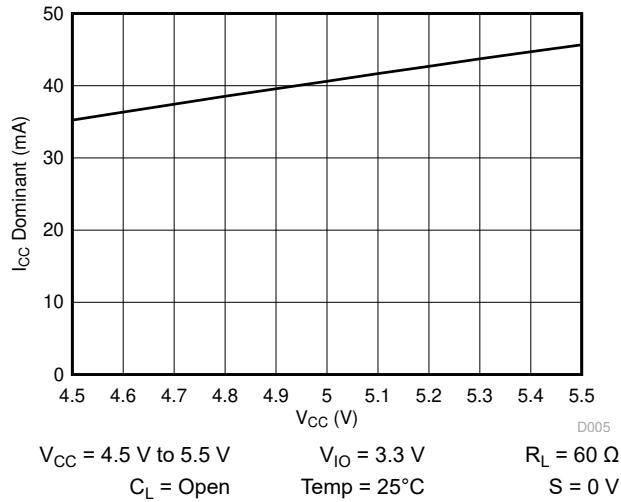


图 9-5. I_{CC} Dominant Current over V_{CC} Supply Voltage

10 Power Supply Recommendations

These devices are designed to operate from a V_{CC} input supply voltage range between 4.5 V and 5.5 V. Some devices have an output level shifting supply input, V_{IO} , designed for a range between 3 V and 5.5 V. Both supply inputs must be well regulated. A bulk capacitance, typically 4.7 μF , should be placed near the CAN transceiver's main V_{CC} supply output, and in addition a bypass capacitor, typically 0.1 μF , should be placed as close to the device V_{CC} and V_{IO} supply terminals. This helps to reduce supply voltage ripple present on the outputs of the switched-mode power supplies and also helps to compensate for the resistance and inductance of the PCB power planes and traces.

Layout

Robust and reliable bus node design often requires the use of external transient protection device in order to protect against EFT and surge transients that may occur in industrial environments. Because ESD and transients have a wide frequency bandwidth from approximately 3 MHz to 3 GHz, high-frequency layout techniques must be applied during PCB design. The TCAN1051 family comes with high on-chip IEC ESD protection, but if higher levels of system level immunity are desired external TVS diodes can be used. TVS diodes and bus filtering capacitors should be placed as close to the on-board connectors as possible to prevent noisy transient events from propagating further into the PCB and system.

11.1 Layout Guidelines

- Place the protection and filtering circuitry as close to the bus connector, J1, to prevent transients, ESD and noise from propagating onto the board. In this layout example a transient voltage suppression (TVS) device, D1, has been used for added protection. The production solution can be either bi-directional TVS diode or varistor with ratings matching the application requirements. This example also shows optional bus filter capacitors C4 and C5. Additionally (not shown) a series common mode choke (CMC) can be placed on the CANH and CANL lines between the transceiver U1 and connector J1.
- Design the bus protection components in the direction of the signal path. Do not force the transient current to divert from the signal path to reach the protection device.
- Use supply (V_{CC}) and ground planes to provide low inductance.

Note

High-frequency currents follows the path of least impedance and not the path of least resistance.

- Use at least two vias for supply (V_{CC}) and ground connections of bypass capacitors and protection devices to minimize trace and via inductance.
- Bypass and bulk capacitors should be placed as close as possible to the supply terminals of transceiver, examples are C1, C2 on the V_{CC} supply and C6 and C7 on the V_{IO} supply.
- Bus termination: this layout example shows split termination. This is where the termination is split into two resistors, R6 and R7, with the center or split tap of the termination connected to ground via capacitor C3. Split termination provides common mode filtering for the bus. When bus termination is placed on the board instead of directly on the bus, additional care must be taken to ensure the terminating node is not removed from the bus thus also removing the termination. See the application section for information on power ratings needed for the termination resistor(s).
- To limit current of digital lines, serial resistors may be used. Examples are R2, R3, and R4. These are not required.
- Terminal 1: R1 is shown optionally for the TXD input of the device. If an open drain host processor is used, this is mandatory to ensure the bit timing into the device is met.
- Terminal 5: For "V" variants of the TCAN1051 family, bypass capacitors should be placed as close to the pin as possible (example C6 and C7). For device options without V_{IO} I/O level shifting, this pin is not internally connected and can be left floating or tied to any existing net, for example a split pin connection.
- Terminal 8: is shown assuming the mode terminal, S, will be used. If the device will only be used in normal mode, R4 is not needed and R5 could be used for the pull down resistor to GND.

11.2 Layout Example

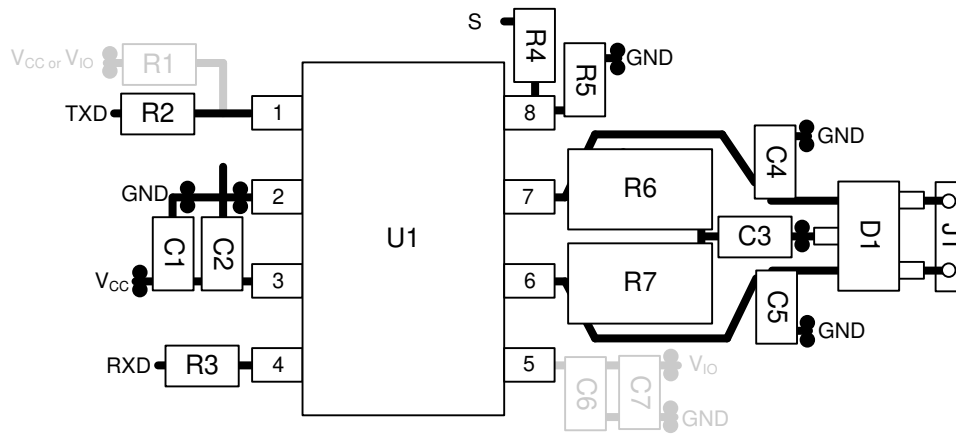


图 11-1. Layout Example

11 Device and Documentation Support

TI offers an extensive line of development tools. Tools and software to evaluate the performance of the device, generate code, and develop solutions are listed below.

11.1 Documentation Support

11.1.1 Related Documentation

11.2 Receiving Notification of Documentation Updates

To receive notification of documentation updates, navigate to the device product folder on [ti.com](https://www.ti.com). Click on *Subscribe to updates* to register and receive a weekly digest of any product information that has changed. For change details, review the revision history included in any revised document.

11.3 Support Resources

[TI E2E™ support forums](#) are an engineer's go-to source for fast, verified answers and design help — straight from the experts. Search existing answers or ask your own question to get the quick design help you need.

Linked content is provided "AS IS" by the respective contributors. They do not constitute TI specifications and do not necessarily reflect TI's views; see TI's [Terms of Use](#).

11.4 Trademarks

TI E2E™ is a trademark of Texas Instruments.
すべての商標は、それぞれの所有者に帰属します。

11.5 Electrostatic Discharge Caution



This integrated circuit can be damaged by ESD. Texas Instruments recommends that all integrated circuits be handled with appropriate precautions. Failure to observe proper handling and installation procedures can cause damage.

ESD damage can range from subtle performance degradation to complete device failure. Precision integrated circuits may be more susceptible to damage because very small parametric changes could cause the device not to meet its published specifications.

11.6 Glossary

[TI Glossary](#) This glossary lists and explains terms, acronyms, and definitions.

12 Mechanical, Packaging, and Orderable Information

The following pages include mechanical, packaging, and orderable information. This information is the most current data available for the designated devices. This data is subject to change without notice and revision of this document. For browser-based versions of this data sheet, refer to the left-hand navigation.

PACKAGING INFORMATION

| Orderable Device | Status (1) | Package Type | Package Drawing | Pins | Package Qty | Eco Plan (2) | Lead finish/ Ball material (6) | MSL Peak Temp (3) | Op Temp (°C) | Device Marking (4/5) | Samples |
|------------------|---------------|--------------|-----------------|------|-------------|-----------------|--------------------------------------|----------------------|--------------|-------------------------|---------|
| TCAN1051HD | OBSOLETE | SOIC | D | 8 | | TBD | Call TI | Call TI | -55 to 125 | 1051 | |
| TCAN1051HDR | ACTIVE | SOIC | D | 8 | 2500 | RoHS & Green | NIPDAU | Level-1-260C-UNLIM | -55 to 125 | 1051 | Samples |
| TCAN1051HGD | OBSOLETE | SOIC | D | 8 | | TBD | Call TI | Call TI | -55 to 125 | 1051 | |
| TCAN1051HGDR | ACTIVE | SOIC | D | 8 | 2500 | RoHS & Green | NIPDAU | Level-1-260C-UNLIM | -55 to 125 | 1051 | Samples |
| TCAN1051HGVD | OBSOLETE | SOIC | D | 8 | | TBD | Call TI | Call TI | -55 to 125 | 1051V | |
| TCAN1051HGVDR | ACTIVE | SOIC | D | 8 | 2500 | RoHS & Green | NIPDAU | Level-1-260C-UNLIM | -55 to 125 | 1051V | Samples |
| TCAN1051HVD | OBSOLETE | SOIC | D | 8 | | TBD | Call TI | Call TI | -55 to 125 | 1051V | |
| TCAN1051HVDR | ACTIVE | SOIC | D | 8 | 2500 | RoHS & Green | NIPDAU | Level-1-260C-UNLIM | -55 to 125 | 1051V | Samples |

(1) The marketing status values are defined as follows:

ACTIVE: Product device recommended for new designs.

LIFEBUY: TI has announced that the device will be discontinued, and a lifetime-buy period is in effect.

NRND: Not recommended for new designs. Device is in production to support existing customers, but TI does not recommend using this part in a new design.

PREVIEW: Device has been announced but is not in production. Samples may or may not be available.

OBSOLETE: TI has discontinued the production of the device.

(2) **RoHS:** TI defines "RoHS" to mean semiconductor products that are compliant with the current EU RoHS requirements for all 10 RoHS substances, including the requirement that RoHS substance do not exceed 0.1% by weight in homogeneous materials. Where designed to be soldered at high temperatures, "RoHS" products are suitable for use in specified lead-free processes. TI may reference these types of products as "Pb-Free".

RoHS Exempt: TI defines "RoHS Exempt" to mean products that contain lead but are compliant with EU RoHS pursuant to a specific EU RoHS exemption.

Green: TI defines "Green" to mean the content of Chlorine (Cl) and Bromine (Br) based flame retardants meet JS709B low halogen requirements of <=1000ppm threshold. Antimony trioxide based flame retardants must also meet the <=1000ppm threshold requirement.

(3) MSL, Peak Temp. - The Moisture Sensitivity Level rating according to the JEDEC industry standard classifications, and peak solder temperature.

(4) There may be additional marking, which relates to the logo, the lot trace code information, or the environmental category on the device.

(5) Multiple Device Markings will be inside parentheses. Only one Device Marking contained in parentheses and separated by a "-" will appear on a device. If a line is indented then it is a continuation of the previous line and the two combined represent the entire Device Marking for that device.

(6) Lead finish/Ball material - Orderable Devices may have multiple material finish options. Finish options are separated by a vertical ruled line. Lead finish/Ball material values may wrap to two lines if the finish value exceeds the maximum column width.

Important Information and Disclaimer:The information provided on this page represents TI's knowledge and belief as of the date that it is provided. TI bases its knowledge and belief on information provided by third parties, and makes no representation or warranty as to the accuracy of such information. Efforts are underway to better integrate information from third parties. TI has taken and continues to take reasonable steps to provide representative and accurate information but may not have conducted destructive testing or chemical analysis on incoming materials and chemicals. TI and TI suppliers consider certain information to be proprietary, and thus CAS numbers and other limited information may not be available for release.

In no event shall TI's liability arising out of such information exceed the total purchase price of the TI part(s) at issue in this document sold by TI to Customer on an annual basis.

OTHER QUALIFIED VERSIONS OF TCAN1051H, TCAN1051HG, TCAN1051HGV, TCAN1051HV :

- Automotive : [TCAN1051H-Q1](#), [TCAN1051HG-Q1](#), [TCAN1051HGV-Q1](#), [TCAN1051HV-Q1](#)

NOTE: Qualified Version Definitions:

- Automotive - Q100 devices qualified for high-reliability automotive applications targeting zero defects

TAPE AND REEL INFORMATION

QUADRANT ASSIGNMENTS FOR PIN 1 ORIENTATION IN TAPE


*All dimensions are nominal

| Device | Package Type | Package Drawing | Pins | SPQ | Reel Diameter (mm) | Reel Width W1 (mm) | A0 (mm) | B0 (mm) | K0 (mm) | P1 (mm) | W (mm) | Pin1 Quadrant |
|--------------|--------------|-----------------|------|------|--------------------|--------------------|---------|---------|---------|---------|--------|---------------|
| TCAN1051HVDR | SOIC | D | 8 | 2500 | 330.0 | 12.4 | 6.4 | 5.2 | 2.1 | 8.0 | 12.0 | Q1 |

TAPE AND REEL BOX DIMENSIONS


*All dimensions are nominal

| Device | Package Type | Package Drawing | Pins | SPQ | Length (mm) | Width (mm) | Height (mm) |
|--------------|--------------|-----------------|------|------|-------------|------------|-------------|
| TCAN1051HVDR | SOIC | D | 8 | 2500 | 356.0 | 356.0 | 35.0 |

重要なお知らせと免責事項

テキサス・インスツルメンツは、技術データと信頼性データ(データシートを含みます)、設計リソース(リファレンス デザインを含みます)、アプリケーションや設計に関する各種アドバイス、Web ツール、安全性情報、その他のリソースを、欠陥が存在する可能性のある「現状のまま」提供しており、商品性および特定目的に対する適合性の黙示保証、第三者の知的財産権の非侵害保証を含むいかなる保証も、明示的または黙示的にかかわらず拒否します。

これらのリソースは、テキサス・インスツルメンツ製品を使用する設計の経験を積んだ開発者への提供を意図したものです。(1) お客様のアプリケーションに適したテキサス・インスツルメンツ製品の選定、(2) お客様のアプリケーションの設計、検証、試験、(3) お客様のアプリケーションに該当する各種規格や、その他のあらゆる安全性、セキュリティ、規制、または他の要件への確実な適合に関する責任を、お客様のみが単独で負うものとします。

上記の各種リソースは、予告なく変更される可能性があります。これらのリソースは、リソースで説明されているテキサス・インスツルメンツ製品を使用するアプリケーションの開発の目的でのみ、テキサス・インスツルメンツはその使用をお客様に許諾します。これらのリソースに関して、他の目的で複製することや掲載することは禁止されています。テキサス・インスツルメンツや第三者の知的財産権のライセンスが付与されている訳ではありません。お客様は、これらのリソースを自身で使用した結果発生するあらゆる申し立て、損害、費用、損失、責任について、テキサス・インスツルメンツおよびその代理人を完全に補償するものとし、テキサス・インスツルメンツは一切の責任を拒否します。

テキサス・インスツルメンツの製品は、[テキサス・インスツルメンツの販売条件](#)、または [ti.com](https://www.ti.com) やかかるテキサス・インスツルメンツ製品の関連資料などのいずれかを通じて提供する適用可能な条項の下で提供されています。テキサス・インスツルメンツがこれらのリソースを提供することは、適用されるテキサス・インスツルメンツの保証または他の保証の放棄の拡大や変更を意味するものではありません。

お客様がいかなる追加条項または代替条項を提案した場合でも、テキサス・インスツルメンツはそれらに異議を唱え、拒否します。

郵送先住所：Texas Instruments, Post Office Box 655303, Dallas, Texas 75265
Copyright © 2025, Texas Instruments Incorporated