

# SN74LXCH8T245 8 ビット変換トランシーバ、構成可能なレベル・シフト機能付き

## 1 特長

- 完全に構成可能なデュアル・レール設計により、各ポートは 1.1V~5.5V で動作可能
- 堅牢な、グリッチの発生しない電源シーケンシング
- 3.3V~5.0V で最高 420Mbps をサポート
- データ入力時のバス・ホールドにより、外付けプルアップ/プルダウン抵抗が不要
- シュミット・トリガ制御入力により低速またはノイズの多い入力に対応
- スタティック・プルダウン抵抗を内蔵した制御入力により、フローティング制御入力が可能
- 高い駆動強度 (5V で最大 32mA)
- 低消費電力
  - 最大 4 $\mu$ A (25 $^{\circ}$ C)
  - 最大 12 $\mu$ A (-40 $^{\circ}$ C~125 $^{\circ}$ C)
- V<sub>CC</sub> 絶縁および V<sub>CC</sub> 切断機能
  - どちらかの V<sub>CC</sub> 電源が 100mV 未満になると、すべての I/O が高インピーダンス化
  - I<sub>off-float</sub> により V<sub>CC</sub> 切断動作をサポート
- I<sub>off</sub> により部分的パワーダウン・モード動作をサポート
- LVC ファミリのレベル・シフトと互換
- 制御ロジック (DIR および OE) は V<sub>CCA</sub> 基準
- 動作温度範囲: -40 $^{\circ}$ C~+125 $^{\circ}$ C
- JESD 78、Class II 準拠で 100mA 超のラッチアップ性能
- JESD 22 を超える ESD 保護
  - 人体モデルで 4000V
  - 荷電デバイス・モデルで 1000V

## 2 アプリケーション

- 低速またはノイズの多い信号の除去
- LED インジケータまたはブザーの駆動
- 機械的スイッチのデバウンス
- 汎用 I/O レベル・シフト
- プッシュプル・レベル・シフト (UART、SPI、JTAG など)

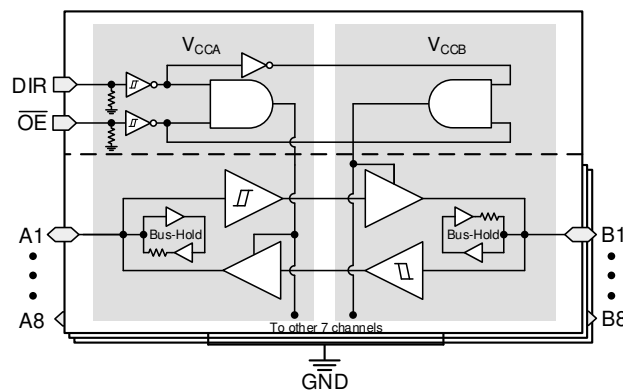
## 3 概要

SN74LXCH8T245 は、バス・ホールド回路を備えた 8 ビット、デュアル電源、非反転、双方向の電圧レベル変換デバイスです。Ax ピンおよび制御ピン (DIR および OE) は V<sub>CCA</sub> ロジック・レベルを基準とし、Bx ピンは V<sub>CCB</sub> ロジック・レベルを基準としています。A ポートは、1.1V~5.5V の範囲の I/O 電圧を受け入れ、B ポートは 1.1V~5.5V の I/O 電圧に対応できます。OE を LOW に設定すると、DIR が HIGH のときは A から B へ、DIR が LOW のときは B から A へデータが転送されます。OE を HIGH に設定すると、Ax ピンと Bx ピンの両方がハイ・インピーダンス状態になります。制御ロジックの動作の概要については、「デバイスの機能モード」を参照してください。

### デバイス情報<sup>(1)</sup>

部品番号	パッケージ	本体サイズ (公称)
SN74LXCH8T245PWR	TSSOP (24)	7.80mm×6.40mm
SN74LXCH8T245RHLLR	VQFN (24)	5.50mm × 3.50mm

(1) 利用可能なすべてのパッケージについては、このデータシートの末尾にある注文情報を参照してください。



機能ブロック図



## Table of Contents

<b>1 特長</b> .....	<b>1</b>	<b>8 Detailed Description</b> .....	<b>19</b>
<b>2 アプリケーション</b> .....	<b>1</b>	8.1 Overview.....	19
<b>3 概要</b> .....	<b>1</b>	8.2 Functional Block Diagram.....	19
<b>4 Revision History</b> .....	<b>2</b>	8.3 Feature Description.....	20
<b>5 Pin Configuration and Functions</b> .....	<b>3</b>	8.4 Device Functional Modes.....	22
<b>6 Specifications</b> .....	<b>4</b>	<b>9 Application and Implementation</b> .....	<b>23</b>
6.1 Absolute Maximum Ratings .....	4	9.1 Application Information.....	23
6.2 ESD Ratings .....	4	9.2 Typical Application.....	23
6.3 Recommended Operating Conditions .....	5	<b>10 Power Supply Recommendations</b> .....	<b>25</b>
6.4 Thermal Information .....	5	<b>11 Layout</b> .....	<b>25</b>
6.5 Electrical Characteristics .....	6	11.1 Layout Guidelines.....	25
6.6 Switching Characteristics, $V_{CCA} = 1.2 \pm 0.1 V$ .....	9	11.2 Layout Example.....	25
6.7 Switching Characteristics, $V_{CCA} = 1.5 \pm 0.1 V$ .....	10	<b>12 Device and Documentation Support</b> .....	<b>26</b>
6.8 Switching Characteristics, $V_{CCA} = 1.8 \pm 0.15 V$ .....	11	12.1 Documentation Support .....	26
6.9 Switching Characteristics, $V_{CCA} = 2.5 \pm 0.2 V$ .....	12	12.2 Receiving Notification of Documentation Updates..	26
6.10 Switching Characteristics, $V_{CCA} = 3.3 \pm 0.3 V$ .....	13	12.3 サポート・リソース.....	26
6.11 Switching Characteristics, $V_{CCA} = 5.0 \pm 0.5 V$ .....	14	12.4 Trademarks.....	26
6.12 Switching Characteristics: $T_{sk}, T_{MAX}$ .....	15	12.5 静電気放電に関する注意事項.....	26
6.13 Operating Characteristics.....	15	12.6 用語集.....	26
6.14 Typical Characteristics.....	16	<b>13 Mechanical, Packaging, and Orderable Information</b> .....	<b>26</b>
<b>7 Parameter Measurement Information</b> .....	<b>17</b>		
7.1 Load Circuit and Voltage Waveforms.....	17		

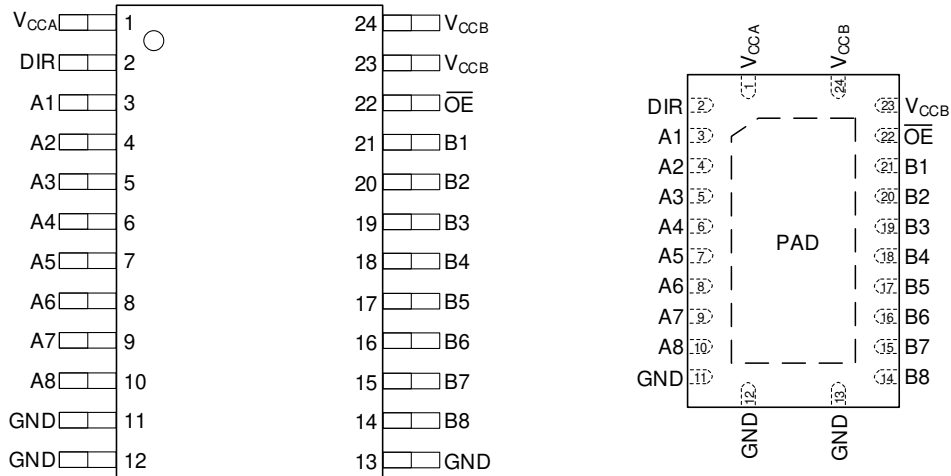
## 4 Revision History

資料番号末尾の英字は改訂を表しています。その改訂履歴は英語版に準じています。

Changes from Revision A (January 2021) to Revision B (March 2021)	Page
• Updated $t_{pd}$ values in <i>Switching Characteristics, <math>V_{CCA} = 1.2 \pm 0.1 V</math></i> section.....	9
• Updated $t_{pd}$ values in <i>Switching Characteristics, <math>V_{CCA} = 1.5 \pm 0.1 V</math></i> section.....	0
• Updated $t_{pd}$ values in <i>Switching Characteristics, <math>V_{CCA} = 1.8 \pm 0.15 V</math></i> section.....	0
• Updated $t_{pd}$ values in <i>Switching Characteristics, <math>V_{CCA} = 2.5 \pm 0.2 V</math></i> section.....	0
• Updated $t_{pd}$ values in <i>Switching Characteristics, <math>V_{CCA} = 3.3 \pm 0.3 V</math></i> section.....	0
• Updated $t_{pd}$ values in <i>Switching Characteristics, <math>V_{CCA} = 5.0 \pm 0.5 V</math></i> section.....	0
• Changed the $t_{sk}$ – output skew's maximum operating free-air temperature ( $T_A$ ) range for $V_{CCI}$ and $V_{CCO}$ in the <i>Switching Characteristics: <math>T_{sk}, T_{MAX}</math></i> section.....	15

Changes from Revision * (January 2021) to Revision A (January 2021)	Page
• Changed $I_{OZ}$ spec at 25C.....	6

## 5 Pin Configuration and Functions



All packages are on the same relative scale.

**图 5-1. PW, and RHL Package 24-Pin TSSOP, and VQFN Transparent Top View**

**表 5-1. Pin Functions**

PIN		I/O	DESCRIPTION
NAME	PW, RHL		
A1	3	I/O	Input or output A1. Referenced to $V_{CCA}$ .
A2	4	I/O	Input or output A2. Referenced to $V_{CCA}$ .
A3	5	I/O	Input or output A3. Referenced to $V_{CCA}$ .
A4	6	I/O	Input or output A4. Referenced to $V_{CCA}$ .
A5	7	I/O	Input or output A5. Referenced to $V_{CCA}$ .
A6	8	I/O	Input or output A6. Referenced to $V_{CCA}$ .
A7	9	I/O	Input or output A7. Referenced to $V_{CCA}$ .
A8	10	I/O	Input or output A8. Referenced to $V_{CCA}$ .
B1	21	I/O	Input or output B1. Referenced to $V_{CCB}$ .
B2	20	I/O	Input or output B2. Referenced to $V_{CCB}$ .
B3	19	I/O	Input or output B3. Referenced to $V_{CCB}$ .
B4	18	I/O	Input or output B4. Referenced to $V_{CCB}$ .
B5	17	I/O	Input or output B5. Referenced to $V_{CCB}$ .
B6	16	I/O	Input or output B6. Referenced to $V_{CCB}$ .
B7	15	I/O	Input or output B7. Referenced to $V_{CCB}$ .
B8	14	I/O	Input or output B8. Referenced to $V_{CCB}$ .
DIR	2	I	Direction-control signal for all ports. Referenced to $V_{CCA}$ .
GND	11	—	Ground.
	12	—	Ground.
	13	—	Ground.
$\overline{OE}$	22	I	Output Enable. Pull to GND to enable all outputs. Pull to $V_{CCA}$ to place all outputs in high-impedance mode. Referenced to $V_{CCA}$ .
$V_{CCA}$	1	—	A-port supply voltage. $1.1\text{ V} \leq V_{CCA} \leq 5.5\text{ V}$ .
$V_{CCB}$	23	—	B-port supply voltage. $1.1\text{ V} \leq V_{CCB} \leq 5.5\text{ V}$ .
	24	—	B-port supply voltage. $1.1\text{ V} \leq V_{CCB} \leq 5.5\text{ V}$ .
PAD	—	—	Thermal pad. May be grounded (recommended) or left floating.

## 6 Specifications

### 6.1 Absolute Maximum Ratings

over operating free-air temperature range (unless otherwise noted)<sup>(1)</sup>

			MIN	MAX	UNIT
V <sub>CCA</sub>	Supply voltage A		-0.5	6.5	V
V <sub>CCB</sub>	Supply voltage B		-0.5	6.5	V
V <sub>I</sub>	Input Voltage <sup>(2)</sup>	I/O Ports (A Port)	-0.5	6.5	V
		I/O Ports (B Port)	-0.5	6.5	
		Control Inputs	-0.5	6.5	
V <sub>O</sub>	Voltage applied to any output in the high-impedance or power-off state <sup>(2)</sup>	A Port	-0.5	6.5	V
		B Port	-0.5	6.5	
V <sub>O</sub>	Voltage applied to any output in the high or low state <sup>(2) (3)</sup>	A Port	-0.5	V <sub>CCA</sub> + 0.5	V
		B Port	-0.5	V <sub>CCB</sub> + 0.5	
I <sub>IK</sub>	Input clamp current	V <sub>I</sub> < 0	-50		mA
I <sub>OK</sub>	Output clamp current	V <sub>O</sub> < 0	-50		mA
I <sub>O</sub>	Continuous output current		-50	50	mA
	Continuous current through V <sub>CC</sub> or GND		-200	200	
T <sub>j</sub>	Junction Temperature			150	°C
T <sub>stg</sub>	Storage temperature		-65	150	°C

- (1) Stresses beyond those listed under *Absolute Maximum Ratings* may cause permanent damage to the device. These are stress ratings only, which do not imply functional operation of the device at these or any other conditions beyond those indicated under *Recommended Operating Conditions*. Exposure beyond the limits listed in *Recommended Operating Conditions* may affect device reliability.
- (2) The input voltage and output negative-voltage ratings may be exceeded if the input and output current ratings are observed.
- (3) The output positive-voltage rating may be exceeded up to 6.5 V maximum if the output current rating is observed.

### 6.2 ESD Ratings

			VALUE	UNIT
V <sub>(ESD)</sub>	Electrostatic discharge	Human body model (HBM), per ANSI/ESDA/JEDEC JS-001 <sup>(1)</sup>	±4000	V
		Charged device model (CDM), per JEDEC specification JESD22-C101 <sup>(2)</sup>	±1000	

- (1) JEDEC document JEP155 states that 500-V HBM allows safe manufacturing with a standard ESD control process.
- (2) JEDEC document JEP157 states that 250-V CDM allows safe manufacturing with a standard ESD control process.

### 6.3 Recommended Operating Conditions

over operating free-air temperature range (unless otherwise noted) <sup>(1)</sup>

			MIN	MAX	UNIT
V <sub>CCA</sub>	Supply voltage A		1.1	5.5	V
V <sub>CCB</sub>	Supply voltage B		1.1	5.5	V
V <sub>IH</sub>	High-level input voltage	Data Inputs (Ax, Bx) (Referenced to V <sub>CCI</sub> )	V <sub>CCI</sub> = 1.1 V - 1.3 V	V <sub>CCI</sub> × 0.8	V
			V <sub>CCI</sub> = 1.4 V - 1.95 V	V <sub>CCI</sub> × 0.65	
			V <sub>CCI</sub> = 2.3 V - 2.7 V	1.7	
			V <sub>CCI</sub> = 3.0 V - 3.6 V	2	
			V <sub>CCI</sub> = 4.5 V - 5.5 V	V <sub>CCI</sub> × 0.7	
V <sub>IL</sub>	Low-level input voltage	Data Inputs (Ax, Bx) (Referenced to V <sub>CCI</sub> )	V <sub>CCI</sub> = 1.1 V - 1.3 V	V <sub>CCI</sub> × 0.2	V
			V <sub>CCI</sub> = 1.4 V - 1.95 V	V <sub>CCI</sub> × 0.35	
			V <sub>CCI</sub> = 2.3 V - 2.7 V	0.7	
			V <sub>CCI</sub> = 3.0 V - 3.6 V	0.8	
			V <sub>CCI</sub> = 4.5 V - 5.5 V	V <sub>CCI</sub> × 0.3	
I <sub>OH</sub>	High-level output current		V <sub>CCO</sub> = 1.1 V	-0.1	mA
			V <sub>CCO</sub> = 1.4 V	-2	
			V <sub>CCO</sub> = 1.65 V	-4	
			V <sub>CCO</sub> = 2.3 V	-12	
			V <sub>CCO</sub> = 3 V	-24	
			V <sub>CCO</sub> = 4.5 V	-32	
I <sub>OL</sub>	Low-level output current		V <sub>CCO</sub> = 1.1 V	0.1	mA
			V <sub>CCO</sub> = 1.4 V	2	
			V <sub>CCO</sub> = 1.65 V	4	
			V <sub>CCO</sub> = 2.3 V	12	
			V <sub>CCO</sub> = 3 V	24	
			V <sub>CCO</sub> = 4.5 V	32	
V <sub>I</sub>	Input voltage		0	5.5	V
V <sub>O</sub>	Output voltage	Active State	0	V <sub>CCO</sub>	V
		Tri-State	0	5.5	
Δt/Δv	Input transition rise and fall time			20	ns/V
T <sub>A</sub>	Operating free-air temperature		-40	125	°C

(1) V<sub>CCI</sub> is the V<sub>CC</sub> associated with the input port. V<sub>CCO</sub> is the V<sub>CC</sub> associated with the output port.

### 6.4 Thermal Information

THERMAL METRIC <sup>(1)</sup>		SN74LXC8T245		UNIT
		PW (TSSOP)	RHL (VQFN)	
		24 PINS	24 PINS	
R <sub>θJA</sub>	Junction-to-ambient thermal resistance	98.2	45.6	°C/W
R <sub>θJC(top)</sub>	Junction-to-case (top) thermal resistance	42.3	41.0	°C/W
R <sub>θJB</sub>	Junction-to-board thermal resistance	53.3	23.3	°C/W
Y <sub>JT</sub>	Junction-to-top characterization parameter	5.8	2.2	°C/W
Y <sub>JB</sub>	Junction-to-board characterization parameter	52.9	23.3	°C/W
R <sub>θJC(bottom)</sub>	Junction-to-case (bottom) thermal resistance	N/A	13.2	°C/W

(1) For more information about traditional and new thermal metrics, see the [Semiconductor and IC Package Thermal Metrics](#) app report.

## 6.5 Electrical Characteristics

over operating free-air temperature range (unless otherwise noted)<sup>(1) (2)</sup>

PARAMETER	TEST CONDITIONS	V <sub>CCA</sub>	V <sub>CCB</sub>	Operating free-air temperature (T <sub>A</sub> )						UNIT	
				25°C			–40°C to 85°C		–40°C to 125°C		
				MIN	TYP	MAX	MIN	TYP	MAX		MIN
V <sub>T+</sub>	Positive-going input-threshold voltage	Control Inputs (OE, DIR) (Referenced to V <sub>CCA</sub> )	1.1 V	1.1 V			0.44	0.88	0.44	0.88	V
			1.4 V	1.4 V			0.60	0.98	0.60	0.98	
			1.65 V	1.65 V			0.76	1.13	0.76	1.13	
			2.3 V	2.3 V			1.08	1.56	1.08	1.56	
			3 V	3 V			1.48	1.92	1.48	1.92	
			4.5 V	4.5 V			2.19	2.74	2.19	2.74	
			5.5 V	5.5 V			2.65	3.33	2.65	3.33	
V <sub>T-</sub>	Negative-going input-threshold voltage	Control Inputs (OE, DIR) (Referenced to V <sub>CCA</sub> )	1.1 V	1.1 V			0.17	0.48	0.17	0.48	V
			1.4 V	1.4 V			0.28	0.6	0.28	0.6	
			1.65 V	1.65 V			0.35	0.71	0.35	0.71	
			2.3 V	2.3 V			0.56	1	0.56	1	
			3 V	3 V			0.89	1.5	0.89	1.5	
			4.5 V	4.5 V			1.51	2	1.51	2	
			5.5 V	5.5 V			1.88	2.46	1.88	2.46	
ΔV <sub>T</sub>	Input-threshold hysteresis (V <sub>T+</sub> – V <sub>T-</sub> )	Control Inputs (OE, DIR) (Referenced to V <sub>CCA</sub> )	1.1 V	1.1 V			0.2	0.4	0.2	0.4	V
			1.4 V	1.4 V			0.25	0.5	0.25	0.5	
			1.65 V	1.65 V			0.3	0.55	0.3	0.55	
			2.3 V	2.3 V			0.38	0.65	0.38	0.65	
			3 V	3 V			0.46	0.72	0.46	0.72	
			4.5 V	4.5 V			0.58	0.93	0.58	0.93	
			5.5 V	5.5 V			0.69	1.06	0.69	1.06	
V <sub>OH</sub>	High-level output voltage <sup>(3)</sup>	I <sub>OH</sub> = –100 μA	1.1V – 5.5V	1.1V – 5.5V			V <sub>CCO</sub> – 0.1	V <sub>CCO</sub> – 0.1		V	
		I <sub>OH</sub> = –4 mA	1.4 V	1.4 V			1	1			
		I <sub>OH</sub> = –8 mA	1.65 V	1.65 V			1.2	1.2			
		I <sub>OH</sub> = –12 mA	2.3 V	2.3 V			1.9	1.9			
		I <sub>OH</sub> = –24 mA	3 V	3 V			2.4	2.4			
		I <sub>OH</sub> = –32 mA	4.5 V	4.5 V			3.8	3.8			
		V <sub>OL</sub>	Low-level output voltage <sup>(4)</sup>	I <sub>OL</sub> = 100 μA	1.1V – 5.5V	1.1V – 5.5V					0.1
I <sub>OL</sub> = 4 mA	1.4 V			1.4 V				0.3	0.3		
I <sub>OL</sub> = 8 mA	1.65 V			1.65 V				0.45	0.45		
I <sub>OL</sub> = 12 mA	2.3 V			2.3 V				0.3	0.3		
I <sub>OL</sub> = 24 mA	3 V			3 V				0.55	0.55		
I <sub>OL</sub> = 32 mA	4.5 V			4.5 V				0.55	0.55		
I <sub>BHL</sub>	Bus-hold low sustaining current Port A or Port B <sup>(6)</sup>			V <sub>I</sub> = 0.39	1.1 V	1.1 V			4	4	μA
		V <sub>I</sub> = 0.49	1.4 V	1.4 V			15	10			
		V <sub>I</sub> = 0.58	1.65 V	1.65 V			25	20			
		V <sub>I</sub> = 0.70	2.3 V	2.3 V			45	45			
		V <sub>I</sub> = 0.80	3 V	3 V			75	75			
		V <sub>I</sub> = 1.35	4.5 V	4.5 V			100	100			

## 6.5 Electrical Characteristics (continued)

over operating free-air temperature range (unless otherwise noted)<sup>(1) (2)</sup>

PARAMETER	TEST CONDITIONS	V <sub>CCA</sub>	V <sub>CCB</sub>	Operating free-air temperature (T <sub>A</sub> )									UNIT
				25°C			–40°C to 85°C			–40°C to 125°C			
				MIN	TYP	MAX	MIN	TYP	MAX	MIN	TYP	MAX	
I <sub>BHH</sub>	Bus-hold high sustaining current Port A or Port B <sup>(7)</sup>	V <sub>I</sub> = 0.71 V	1.1 V	1.1 V				–4		–4	μA		
		V <sub>I</sub> = 0.91 V	1.4 V	1.4 V				–15		–10			
		V <sub>I</sub> = 1.07 V	1.65 V	1.65 V				–25		–20			
		V <sub>I</sub> = 1.70 V	2.3 V	2.3 V				–45		–45			
		V <sub>I</sub> = 2.00 V	3 V	3 V				–75		–75			
	V <sub>I</sub> = 3.15 V	4.5 V	4.5 V				–100		–100				
I <sub>BHLO</sub>	Bus-hold low overdrive current <sup>(8)</sup>	Ramp input up V <sub>I</sub> = 0 to V <sub>CCI</sub>	1.3 V	1.3 V				75		75	μA		
			1.6 V	1.6 V				125		125			
			1.95 V	1.95 V				200		200			
			2.7 V	2.7 V				300		300			
			3.6 V	3.6 V				500		500			
	5.5 V	5.5 V				900		900					
I <sub>BHHO</sub>	Bus-hold high overdrive current <sup>(9)</sup>	Ramp input down V <sub>I</sub> = V <sub>CCI</sub> to 0	1.3 V	1.3 V				–75		–75	μA		
			1.6 V	1.6 V				–125		–125			
			1.95 V	1.95 V				–200		–200			
			2.7 V	2.7 V				–300		–300			
			3.6 V	3.6 V				–500		–500			
	5.5 V	5.5 V				–900		–900					
I <sub>I</sub>	Input leakage current	Control inputs (DIR, $\overline{OE}$ ) V <sub>I</sub> = V <sub>CCA</sub> or GND	1.1V – 5.5V	1.1V – 5.5V	–0.1	1.5	–0.1	2	–0.1	2	μA		
		Data Inputs (Ax, Bx) V <sub>I</sub> = V <sub>CCI</sub> or GND	1.1V – 5.5V	1.1V – 5.5V	–0.3	0.3	–1	1	–2	2	μA		
I <sub>off</sub>	Partial power down current	A Port V <sub>I</sub> or V <sub>O</sub> = 0 V - 5.5 V	0 V	0 V – 5.5 V	–1.5	1.5	–2	2	–2.5	2.5	μA		
		B Port V <sub>I</sub> or V <sub>O</sub> = 0 V - 5.5 V	0 V – 5.5 V	0 V	–1.5	1.5	–2	2	–2.5	2.5			
I <sub>off-float</sub>	Floating supply Partial power down current	A Port V <sub>I</sub> or V <sub>O</sub> = GND	Floating	0 V – 5.5 V	–1.5	1.5	–2	2	–2.5	2.5	μA		
		B Port V <sub>I</sub> or V <sub>O</sub> = GND	0 V - 5.5 V	Floating	–1.5	1.5	–2	2	–2.5	2.5			
I <sub>OZ</sub>	Tri-state output current <sup>(5)</sup>	A or B Port: (Rev) V <sub>I</sub> = V <sub>CCI</sub> or GND V <sub>O</sub> = V <sub>CCO</sub> or GND $\overline{OE}$ = V <sub>T+(MAX)</sub>	1.1V – 5.5V	1.1V – 5.5V	–1	1	–1	1	–2	2	μA		
I <sub>CCA</sub>	V <sub>CCA</sub> supply current	V <sub>I</sub> = V <sub>CCI</sub> or GND I <sub>O</sub> = 0	1.1V – 5.5V	1.1V – 5.5V				2		4	μA		
			0 V	5.5 V	–0.2			–0.5		–1			
			5.5 V	0 V				2		4		8	
			5.5 V	Floating				2		4		8	
I <sub>CCB</sub>	V <sub>CCB</sub> supply current	V <sub>I</sub> = V <sub>CCI</sub> or GND I <sub>O</sub> = 0	1.1V – 5.5V	1.1V – 5.5V				2		4	μA		
			0 V	5.5 V				2		4		8	
			5.5 V	0 V	–0.2					–0.5		–1	
			Floating	5.5 V				2		4		8	

## 6.5 Electrical Characteristics (continued)

over operating free-air temperature range (unless otherwise noted)<sup>(1) (2)</sup>

PARAMETER	TEST CONDITIONS	$V_{CCA}$	$V_{CCB}$	Operating free-air temperature ( $T_A$ )									UNIT	
				25°C			–40°C to 85°C			–40°C to 125°C				
				MIN	TYP	MAX	MIN	TYP	MAX	MIN	TYP	MAX		
$I_{CCA} + I_{CCB}$	Combined supply current	$V_I = V_{CCI}$ or GND $I_O = 0$	1.1V – 5.5V	1.1V – 5.5V			4			8			12	$\mu$ A
$\Delta I_{CCA}$	$V_{CCA}$ additional supply current per input	Control inputs (DIR, OE): $V_I = V_{CCA} - 0.6$ V A port = $V_{CCA}$ or GND B Port = open	3.0 V – 5.5V	3.0 V – 5.5V						50			75	$\mu$ A
$C_i$	Control Input Capacitance	$V_I = 3.3$ V or GND	3.3 V	3.3 V			2.9			5			5	pF
$C_{io}$	Data I/O Capacitance	$\overline{OE} = V_{CCA}$ , $V_O = 1.65$ V DC +1 MHz –16 dBm sine wave	3.3 V	3.3 V			5.9			10			10	pF

- (1)  $V_{CCI}$  is the  $V_{CC}$  associated with the input port.
- (2)  $V_{CCO}$  is the  $V_{CC}$  associated with the output port.
- (3) Tested at  $V_I = V_{T+(MAX)}$ .
- (4) Tested at  $V_I = V_{T-(MIN)}$ .
- (5) For I/O ports, the parameter  $I_{OZ}$  includes the input leakage current.
- (6)  $I_{BHL}$  should be measured after lowering  $V_I$  to GND and then raising it to the defined input voltage.
- (7)  $I_{BHH}$  should be measured after raising  $V_I$  to  $V_{CCI}$  and then lowering it to the defined input voltage.
- (8) An external driver must source at least  $I_{BHLO}$  to switch this node from low-to-high.
- (9) An external driver must sink at least  $I_{BHHO}$  to switch this node from high to low.



## 6.6 Switching Characteristics, $V_{CCA} = 1.2 \pm 0.1 \text{ V}$

See [图 7-1](#) and [表 7-1](#) for test circuit and loading. See [图 7-2](#), [图 7-3](#), and [图 7-4](#) for measurement waveforms.

PARAMETER	FROM	TO	Test Conditions	B-Port Supply Voltage ( $V_{CCB}$ )												UNIT						
				1.2 ± 0.1 V			1.5 ± 0.1 V			1.8 ± 0.15 V			2.5 ± 0.2 V				3.3 ± 0.3 V			5.0 ± 0.5 V		
				MIN	TYP	MAX	MIN	TYP	MAX	MIN	TYP	MAX	MIN	TYP	MAX		MIN	TYP	MAX	MIN	TYP	MAX
$t_{pd}$	Propagation delay	A	B	-40°C to 85°C	10	65	10	31	7	25	7	24	5	22	5	21	ns					
				-40°C to 125°C	10	70	10	33	7	27	7	26	5	24	5	23						
	B	A	-40°C to 85°C	10	62	10	55	10	49	8	42	8	40	8	39							
			-40°C to 125°C	10	68	10	60	10	54	8	47	8	45	8	44							
$t_{dis}$	Disable time	$\overline{OE}$	A	-40°C to 85°C	20	64	20	64	20	64	20	64	20	64	20	64	ns					
				-40°C to 125°C	20	69	20	69	20	69	20	69	20	69	20	69						
		$\overline{OE}$	B	-40°C to 85°C	20	80	20	62	20	54	20	48	20	47	20	45						
				-40°C to 125°C	20	85	20	67	20	59	20	52	20	50	20	48						
$t_{en}$	Enable time	$\overline{OE}$	A	-40°C to 85°C	20	90	20	91	20	91	20	91	20	90	20	90	ns					
				-40°C to 125°C	20	97	20	98	20	97	20	96	20	96	20	96						
		$\overline{OE}$	B	-40°C to 85°C	20	95	20	57	15	48	10	38	10	36	10	36						
				-40°C to 125°C	20	100	20	61	15	53	10	42	10	39	10	39						

## 6.7 Switching Characteristics, $V_{CCA} = 1.5 \pm 0.1 \text{ V}$

See [Figure 7-1](#) and [Table 7-1](#) for test circuit and loading. See [Figure 7-2](#), [Figure 7-3](#), and [Figure 7-4](#) for measurement waveforms.

PARAMETER	FROM	TO	Test Conditions	B-Port Supply Voltage ( $V_{CCB}$ )												UNIT						
				$1.2 \pm 0.1 \text{ V}$			$1.5 \pm 0.1 \text{ V}$			$1.8 \pm 0.15 \text{ V}$			$2.5 \pm 0.2 \text{ V}$				$3.3 \pm 0.3 \text{ V}$			$5.0 \pm 0.5 \text{ V}$		
				MIN	TYP	MAX	MIN	TYP	MAX	MIN	TYP	MAX	MIN	TYP	MAX		MIN	TYP	MAX	MIN	TYP	MAX
$t_{pd}$	Propagation delay	A	B	-40°C to 85°C	10	52	5	25	5	23	5	17	5	14	3	13	ns					
				-40°C to 125°C	10	57	5	26	5	23	5	18	5	16	3	14						
		B	A	-40°C to 85°C	8	36	7	28	7	26	5	20	5	18	5	17						
				-40°C to 125°C	8	40	7	29	7	26	5	22	5	20	5	18						
$t_{dis}$	Disable time	$\overline{OE}$	A	-40°C to 85°C	15	40	15	40	15	40	15	40	15	40	15	40	ns					
				-40°C to 125°C	15	44	15	44	15	44	15	44	15	44	15	44						
		$\overline{OE}$	B	-40°C to 85°C	20	69	20	50	15	45	15	35	15	34	14	31						
				-40°C to 125°C	20	74	20	54	15	48	15	39	15	37	14	33						
$t_{en}$	Enable time	$\overline{OE}$	A	-40°C to 85°C	15	48	15	48	15	48	15	48	15	48	15	48	ns					
				-40°C to 125°C	15	52	15	52	15	52	15	52	15	52	15	52						
		$\overline{OE}$	B	-40°C to 85°C	20	85	15	50	15	40	10	31	10	26	10	24						
				-40°C to 125°C	20	91	15	54	15	44	10	33	10	29	10	26						

## 6.8 Switching Characteristics, $V_{CCA} = 1.8 \pm 0.15 \text{ V}$

See [图 7-1](#) and [表 7-1](#) for test circuit and loading. See [图 7-2](#), [图 7-3](#), and [图 7-4](#) for measurement waveforms.

PARAMETER	FROM	TO	Test Conditions	B-Port Supply Voltage ( $V_{CCB}$ )												UNIT						
				1.2 ± 0.1 V			1.5 ± 0.1 V			1.8 ± 0.15 V			2.5 ± 0.2 V				3.3 ± 0.3 V			5.0 ± 0.5 V		
				MIN	TYP	MAX	MIN	TYP	MAX	MIN	TYP	MAX	MIN	TYP	MAX		MIN	TYP	MAX	MIN	TYP	MAX
$t_{pd}$	Propagation delay	A	B	-40°C to 85°C	8	50	6	21	6	18	4	14	4	11	2	10	ns					
				-40°C to 125°C	8	53	6	23	6	20	4	15	4	12	2	11						
		B	A	-40°C to 85°C	5	32	5	21	5	19	4	17	4	15	4	15						
				-40°C to 125°C	5	33	5	23	5	21	4	18	4	16	4	16						
$t_{dis}$	Disable time	$\overline{OE}$	A	-40°C to 85°C	10	34	10	33	10	33	10	33	10	33	10	33	ns					
				-40°C to 125°C	10	36	10	35	10	35	10	35	10	35	10	35						
		$\overline{OE}$	B	-40°C to 85°C	20	64	15	45	15	40	12	31	12	31	10	26						
				-40°C to 125°C	20	69	15	49	15	44	12	33	12	38	10	28						
$t_{en}$	Enable time	$\overline{OE}$	A	-40°C to 85°C	10	38	10	38	10	38	10	38	10	38	10	38	ns					
				-40°C to 125°C	10	40	10	40	10	40	10	40	10	40	10	40						
		$\overline{OE}$	B	-40°C to 85°C	20	84	15	47	10	38	10	29	10	25	8	23						
				-40°C to 125°C	20	89	15	51	10	42	10	30	10	26	8	25						

## 6.9 Switching Characteristics, $V_{CCA} = 2.5 \pm 0.2 \text{ V}$

See [Figure 7-1](#) and [Table 7-1](#) for test circuit and loading. See [Figure 7-2](#), [Figure 7-3](#), and [Figure 7-4](#) for measurement waveforms.

PARAMETER	FROM	TO	Test Conditions	B-Port Supply Voltage ( $V_{CCB}$ )												UNIT						
				$1.2 \pm 0.1 \text{ V}$			$1.5 \pm 0.1 \text{ V}$			$1.8 \pm 0.15 \text{ V}$			$2.5 \pm 0.2 \text{ V}$				$3.3 \pm 0.3 \text{ V}$			$5.0 \pm 0.5 \text{ V}$		
				MIN	TYP	MAX	MIN	TYP	MAX	MIN	TYP	MAX	MIN	TYP	MAX		MIN	TYP	MAX	MIN	TYP	MAX
$t_{pd}$	Propagation delay	A	B	-40°C to 85°C	7	40	5	21	4	16	3	12	3	10	3	8	ns					
				-40°C to 125°C	7	45	5	22	4	17	3	13	3	11	3	9						
		B	A	-40°C to 85°C	5	26	5	16	5	15	4	12	3	11	3	10						
				-40°C to 125°C	5	28	5	17	5	15	4	13	3	12	3	11						
$t_{dis}$	Disable time	$\overline{OE}$	A	-40°C to 85°C	10	24	10	24	10	24	10	24	10	22	10	24	ns					
				-40°C to 125°C	10	26	10	26	10	24	10	24	10	24	10	24						
		$\overline{OE}$	B	-40°C to 85°C	15	56	15	41	12	34	12	25	10	24	10	21						
				-40°C to 125°C	15	62	15	44	12	37	12	29	10	26	10	22						
$t_{en}$	Enable time	$\overline{OE}$	A	-40°C to 85°C	8	25	8	25	8	25	8	25	8	25	8	25	ns					
				-40°C to 125°C	8	27	8	27	8	27	8	27	8	27	8	27						
		$\overline{OE}$	B	-40°C to 85°C	20	80	15	46	10	34	10	25	5	23	5	18						
				-40°C to 125°C	20	86	15	48	10	37	10	27	5	25	5	20						

## 6.10 Switching Characteristics, $V_{CCA} = 3.3 \pm 0.3 \text{ V}$

See [图 7-1](#) and [表 7-1](#) for test circuit and loading. See [图 7-2](#), [图 7-3](#), and [图 7-4](#) for measurement waveforms.

PARAMETER	FROM	TO	Test Conditions	B-Port Supply Voltage ( $V_{CCB}$ )												UNIT						
				1.2 ± 0.1 V			1.5 ± 0.1 V			1.8 ± 0.15 V			2.5 ± 0.2 V				3.3 ± 0.3 V			5.0 ± 0.5 V		
				MIN	TYP	MAX	MIN	TYP	MAX	MIN	TYP	MAX	MIN	TYP	MAX		MIN	TYP	MAX	MIN	TYP	MAX
$t_{pd}$	Propagation delay	A	B	-40°C to 85°C	8	41	6	19	4	15	3	10	3	9	2	6.5	ns					
				-40°C to 125°C	8	43	6	21	4	16	3	11	3	10	2	7.5						
	B	A	-40°C to 85°C	5	22	5	15	4	12	3	10	3	9	3	8.5							
			-40°C to 125°C	5	24	5	16	4	13	3	11	3	10	3	9							
$t_{dis}$	Disable time	$\overline{OE}$	A	-40°C to 85°C	9	19	9	19	9	19	8	19	8	19	8	19	ns					
				-40°C to 125°C	9	20	9	20	9	20	8	20	8	20	8	20						
		$\overline{OE}$	B	-40°C to 85°C	15	52	15	38	12	32	10	23	10	22	9	18						
				-40°C to 125°C	15	59	15	41	12	35	10	26	10	23	9	20						
$t_{en}$	Enable time	$\overline{OE}$	A	-40°C to 85°C	5	20	5	20	5	20	5	20	5	20	5	20	ns					
				-40°C to 125°C	5	22	5	22	5	22	5	22	5	22	5	22						
		$\overline{OE}$	B	-40°C to 85°C	20	80	15	43	10	34	5	24	5	19	5	16						
				-40°C to 125°C	20	85	15	46	10	36	5	27	5	21	5	18						

## 6.11 Switching Characteristics, $V_{CCA} = 5.0 \pm 0.5 \text{ V}$

See [图 7-1](#) and [表 7-1](#) for test circuit and loading. See [图 7-2](#), [图 7-3](#), and [图 7-4](#) for measurement waveforms.

PARAMETER	FROM	TO	Test Conditions	B-Port Supply Voltage ( $V_{CCB}$ )												UNIT						
				1.2 ± 0.1 V			1.5 ± 0.1 V			1.8 ± 0.15 V			2.5 ± 0.2 V				3.3 ± 0.3 V			5.0 ± 0.5 V		
				MIN	TYP	MAX	MIN	TYP	MAX	MIN	TYP	MAX	MIN	TYP	MAX		MIN	TYP	MAX	MIN	TYP	MAX
$t_{pd}$	Propagation delay	A	B	-40°C to 85°C	8	38	6	15	3	14	3	9.5	2	8	2	6	ns					
				-40°C to 125°C	8	42	6	17	3	15	3	10.5	2	8.5	2	7						
	B	A	-40°C to 85°C	5	22	4	13	3	10.5	3	8	2	7.5	2	7							
			-40°C to 125°C	5	24	4	15	3	11.5	3	8.5	2	8	2	7.5							
$t_{dis}$	Disable time	$\overline{OE}$	A	-40°C to 85°C	7	15	5	15	5	15	5	15	5	14	5	14	ns					
				-40°C to 125°C	7	16	5	16	5	16	5	16	5	15	5	15						
		$\overline{OE}$	B	-40°C to 85°C	15	52	12	33	10	31	10	22	10	21	5	16						
				-40°C to 125°C	15	56	12	37	10	35	10	24	10	23	5	18						
$t_{en}$	Enable time	$\overline{OE}$	A	-40°C to 85°C	5	15	5	15	5	15	5	15	5	15	5	15	ns					
				-40°C to 125°C	5	16	5	16	5	16	5	16	5	16	5	16						
		$\overline{OE}$	B	-40°C to 85°C	20	80	15	44	10	33	5	24	5	18	5	15						
				-40°C to 125°C	20	85	15	48	10	35	5	26	5	20	5	17						

## 6.12 Switching Characteristics: $T_{sk}$ , $T_{MAX}$

over operating free-air temperature range (unless otherwise noted)

PARAMETER	TEST CONDITIONS	$V_{CCI}$	$V_{CCO}$	Operating free-air temperature ( $T_A$ )			UNIT
				-40°C to 125°C			
				MIN	TYP	MAX	
$T_{MAX}$ - Maximum Data Rate	50% Duty Cycle Input One channel switching 20% of pulse > $0.7 \cdot V_{CCO}$ 20% of pulse < $0.3 \cdot V_{CCO}$	Up Translation	3.0 V – 3.6 V	4.5 V – 5.5 V	200	420	Mbps
			1.65 V – 1.95 V	4.5 V – 5.5 V	100	200	Mbps
			1.1 V – 1.3 V	4.5 V – 5.5 V	20	40	Mbps
			1.65 V – 1.95 V	3.0 V – 3.6 V	100	210	Mbps
			1.1 V – 1.3 V	3.0 V – 3.6 V	10	20	Mbps
			1.1 V – 1.3 V	1.65 V – 1.95 V	5	10	Mbps
		Down Translation	4.5 V – 5.5 V	3.0 V – 3.6 V	100	210	Mbps
			4.5 V – 5.5 V	1.65 V – 1.95 V	50	75	Mbps
			4.5 V – 5.5 V	1.1 V – 1.3 V	15	30	Mbps
			3.0 V – 3.6 V	1.65 V – 1.95 V	40	75	Mbps
			3.0 V – 3.6 V	1.1 V – 1.3 V	10	20	Mbps
			1.65 V – 1.95 V	1.1 V – 1.3 V	5	10	Mbps
$t_{sk}$ – Output skew	Timing skew between any two switching outputs within the same device	Up Translation	3.0 V – 3.6 V	4.5 V – 5.5 V			0.5
			1.65 V – 1.95 V	4.5 V – 5.5 V			1
			1.1 V – 1.3 V	4.5 V – 5.5 V			1.5
			1.65 V – 1.95 V	3.0 V – 3.6 V			1
			1.1 V – 1.3 V	3.0 V – 3.6 V			1.5
			1.1 V – 1.3 V	1.65 V – 1.95 V			2
		Down Translation	4.5 V – 5.5 V	3.0 V – 3.6 V			0.5
			4.5 V – 5.5 V	1.65 V – 1.95 V			1
			4.5 V – 5.5 V	1.1 V – 1.3 V			1.5
			3.0 V – 3.6 V	1.65 V – 1.95 V			1
			3.0 V – 3.6 V	1.1 V – 1.3 V			1.5
			3.0 V – 3.6 V	1.1 V – 1.3 V			1.5
			1.65 V – 1.95 V	1.1 V – 1.3 V			2
			1.65 V – 1.95 V	1.1 V – 1.3 V			2

## 6.13 Operating Characteristics

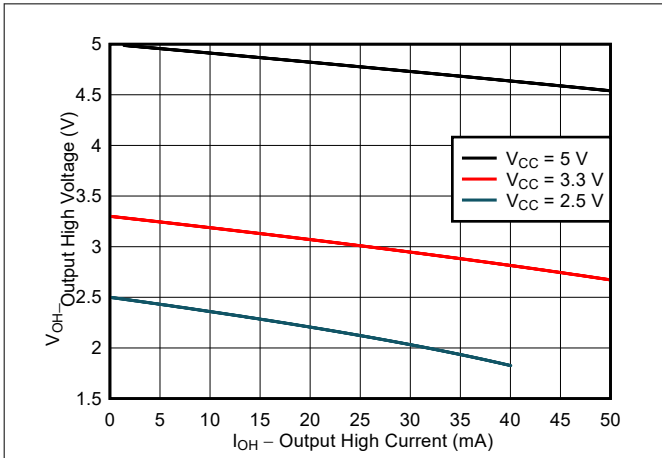
$T_A = 25^\circ\text{C}$  (1)

PARAMETER	Test Conditions	Supply Voltage ( $V_{CCB} = V_{CCA}$ )						UNIT
		1.2 ± 0.1V	1.5 ± 0.1V	1.8 ± 0.15V	2.5 ± 0.2V	3.3 ± 0.3V	5.0 ± 0.5V	
		TYP	TYP	TYP	TYP	TYP	TYP	
$C_{pdA}$ (2)	A to B: outputs enabled	A Port						
	A to B: outputs disabled	CL = 0, RL = Open						
	B to A: outputs enabled	f = 10 MHz						
	B to A: outputs disabled	$t_{rise} = t_{fall} = 1$ ns						
$C_{pdB}$ (2)	A to B: outputs enabled	B Port						
	A to B: outputs disabled	CL = 0, RL = Open						
	B to A: outputs enabled	f = 10 MHz						
	B to A: outputs disabled	$t_{rise} = t_{fall} = 1$ ns						

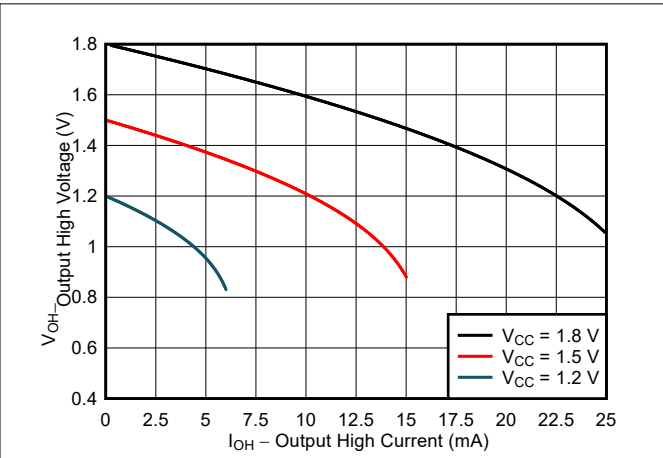
(1) See the [CMOS Power Consumption and  \$C\_{pd}\$  Calculation](#) application report for more information about power dissipation capacitance.

(2)  $C_{pdA}$  and  $C_{pdB}$  are respectively A-Port and B-Port power dissipation capacitances per transceiver.

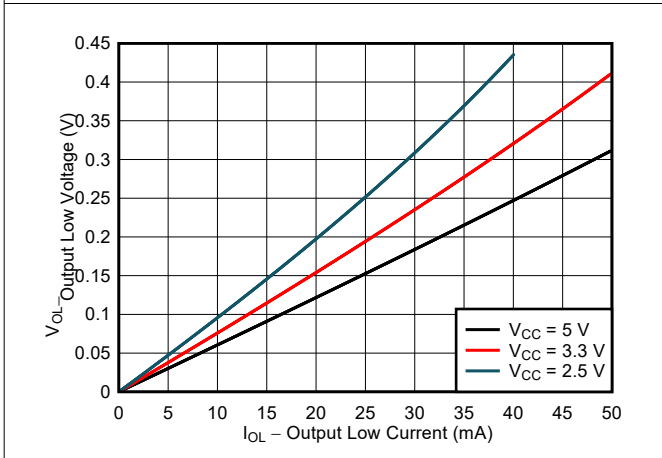
### 6.14 Typical Characteristics



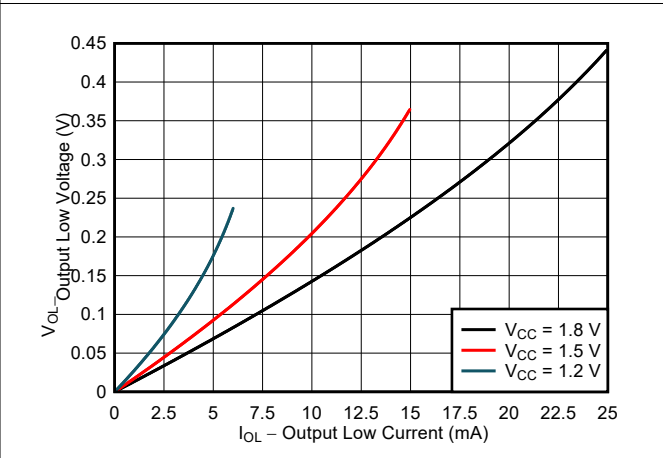
6-1. Typical ( $T_A=25^\circ\text{C}$ ) Output High Voltage ( $V_{OH}$ ) vs Source Current ( $I_{OH}$ )



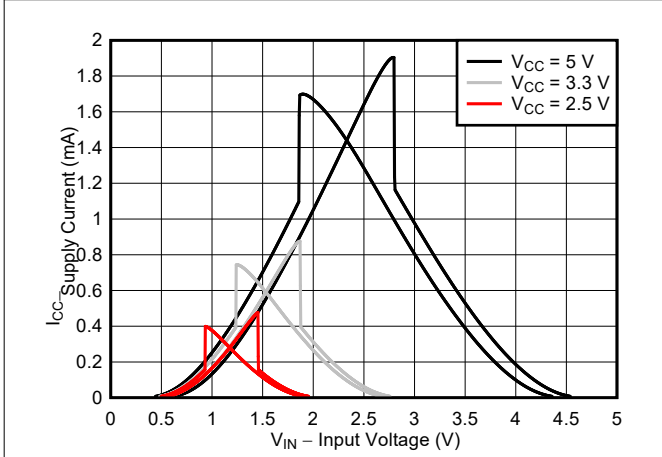
6-2. Typical ( $T_A=25^\circ\text{C}$ ) Output High Voltage ( $V_{OH}$ ) vs Source Current ( $I_{OH}$ )



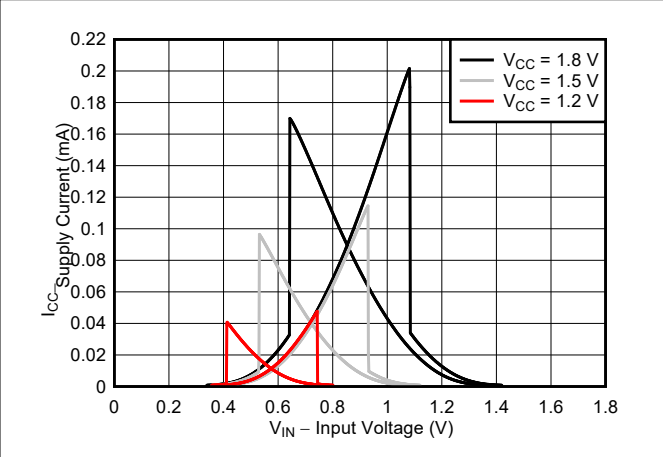
6-3. Typical ( $T_A=25^\circ\text{C}$ ) Output Low Voltage ( $V_{OL}$ ) vs Sink Current ( $I_{OL}$ )



6-4. Typical ( $T_A=25^\circ\text{C}$ ) Output Low Voltage ( $V_{OL}$ ) vs Sink Current ( $I_{OL}$ )



6-5. Typical ( $T_A=25^\circ\text{C}$ ) Supply Current ( $I_{CC}$ ) vs Input Voltage ( $V_{IN}$ )



6-6. Typical ( $T_A=25^\circ\text{C}$ ) Supply Current ( $I_{CC}$ ) vs Input Voltage ( $V_{IN}$ )

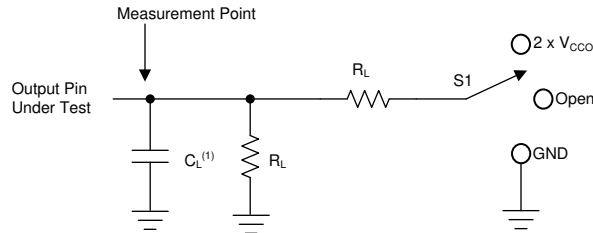


## 7 Parameter Measurement Information

### 7.1 Load Circuit and Voltage Waveforms

Unless otherwise noted, all input pulses are supplied by generators having the following characteristics:

- $f = 1 \text{ MHz}$
- $Z_O = 50 \Omega$
- $\Delta t/\Delta V \leq 1 \text{ ns/V}$

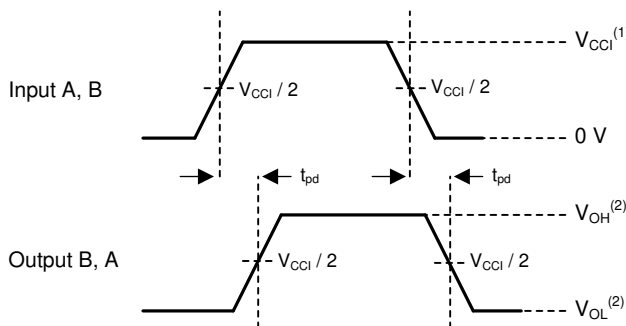


A.  $C_L$  includes probe and jig capacitance.

图 7-1. Load Circuit

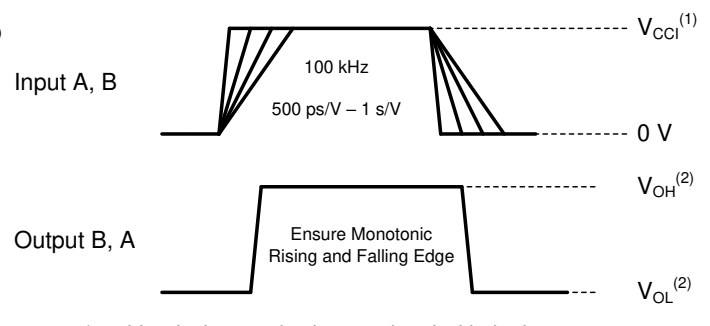
表 7-1. Load Circuit Conditions

Parameter	$V_{CCO}$	$R_L$	$C_L$	$S_1$	$V_{TP}$
$t_{pd}$ Propagation (delay) time	1.1 V – 5.5 V	2 k $\Omega$	15 pF	Open	N/A
$t_{en}, t_{dis}$ Enable time or disable time	1.1 V – 1.6 V	2 k $\Omega$	15 pF	$2 \times V_{CCO}$	0.1 V
	1.65 V – 2.7 V	2 k $\Omega$	15 pF	$2 \times V_{CCO}$	0.15 V
	3.0 V – 5.5 V	2 k $\Omega$	15 pF	$2 \times V_{CCO}$	0.3 V
$t_{en}, t_{dis}$ Enable time or disable time	1.1 V – 1.6 V	2 k $\Omega$	15 pF	GND	0.1 V
	1.65 V – 2.7 V	2 k $\Omega$	15 pF	GND	0.15 V
	3.0 V – 5.5 V	2 k $\Omega$	15 pF	GND	0.3 V



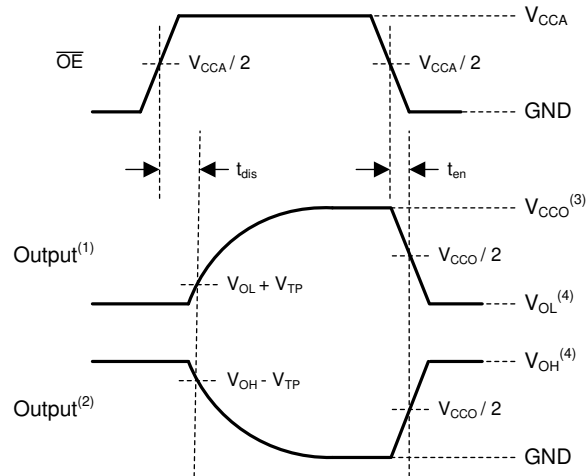
1.  $V_{CCI}$  is the supply pin associated with the input port.
2.  $V_{OH}$  and  $V_{OL}$  are typical output voltage levels that occur with specified  $R_L$ ,  $C_L$ , and  $S_1$ .

图 7-2. Propagation Delay



1.  $V_{CCI}$  is the supply pin associated with the input port.
2.  $V_{OH}$  and  $V_{OL}$  are typical output voltage levels that occur with specified  $R_L$ ,  $C_L$ , and  $S_1$ .

图 7-3. Input Transition Rise and Fall Rate



1. Output waveform on the condition that input is driven to a valid Logic Low.
2. Output waveform on the condition that input is driven to a valid Logic High.
3.  $V_{CCO}$  is the supply pin associated with the output port.
4.  $V_{OH}$  and  $V_{OL}$  are typical output voltage levels with specified  $R_L$ ,  $C_L$ , and  $S_1$ .

**FIG 7-4. Enable Time And Disable Time**

## 8 Detailed Description

### 8.1 Overview

The SN74LXCH8T245 is an 8-bit translating transceiver that uses two individually configurable power-supply rails. The device is operational with  $V_{CCA}$  and  $V_{CCB}$  supplies as low as 1.1 V and as high as 5.5 V. Additionally, the device operates with  $V_{CCA} = V_{CCB}$ . The A port is designed to track  $V_{CCA}$ , and the B port is designed to track  $V_{CCB}$ .

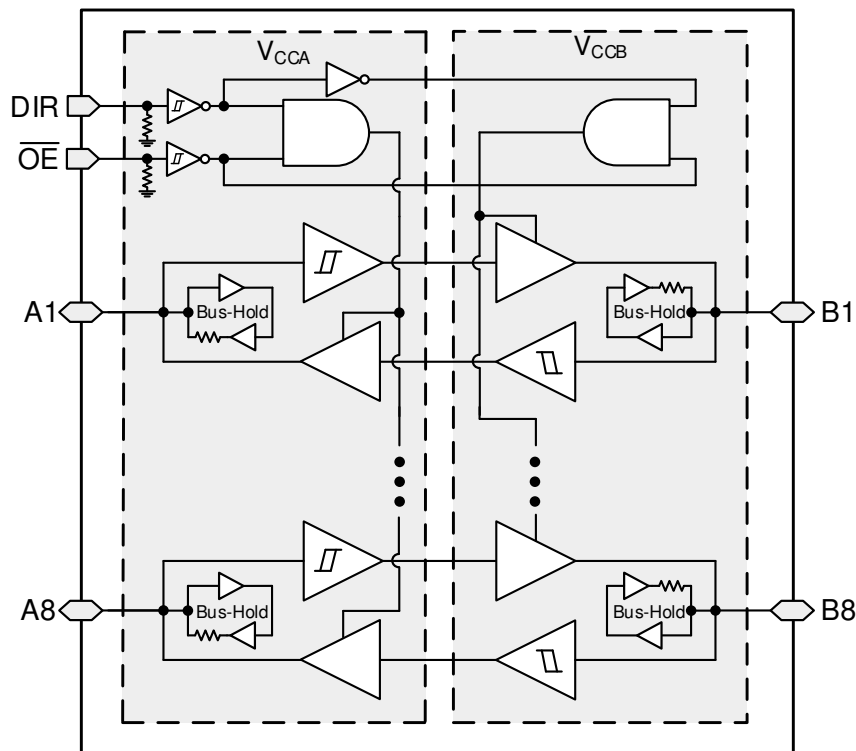
The SN74LXCH8T245 device is designed for asynchronous communication between data buses and transmits data from the A bus to the B bus or from the B bus to the A bus based on the logic level of the direction-control input (DIR). The output-enable input ( $\overline{OE}$ ) is used to disable the outputs so the buses are effectively isolated. The control pins of the SN74LXCH8T245 (DIR and  $\overline{OE}$ ) are referenced to  $V_{CCA}$ . The  $\overline{OE}$  pin should be tied to  $V_{CCA}$  through a pullup resistor to ensure the high-impedance state of the level shifter I/Os during power up or power down.

This device is fully specified for partial-power-down applications using the  $I_{off}$  current. The  $I_{off}$  protection circuitry ensures that no excessive current is drawn from or sourced into an input, output, or I/O while the device is powered down.

The  $V_{CC}$  isolation and  $V_{CC}$  disconnect feature ensures that if either  $V_{CC}$  is less than 100 mV or floating with the complementary supply within the recommended operating conditions, both I/O ports are set to the high-impedance state by disabling their outputs and the supply current is maintained.

Glitch-free power supply sequencing allows either supply rail to power on or off in any order while providing robust power sequencing performance.

### 8.2 Functional Block Diagram



Note: Bus-hold circuits are only present for data inputs, not control inputs

**8-1. SN74LXCH8T245 Functional Block Diagram**

## 8.3 Feature Description

### 8.3.1 CMOS Schmitt-Trigger Inputs with Integrated Pulldowns

Standard CMOS inputs are high impedance and are typically modeled as a resistor in parallel with the input capacitance given in the [Electrical Characteristics](#). The worst case resistance is calculated with the maximum input voltage, given in the [Absolute Maximum Ratings](#), and the maximum input leakage current, given in the [Electrical Characteristics](#), using ohm's law ( $R = V \div I$ ).

The Schmitt-trigger input architecture provides hysteresis as defined by  $\Delta V_T$  in the [Electrical Characteristics](#), which makes this device extremely tolerant to slow or noisy inputs. Driving the inputs slowly will increase dynamic current consumption of the device. See [Understanding Schmitt Triggers](#) for additional information regarding Schmitt-trigger inputs.

#### 8.3.1.1 Control Inputs with Integrated Static Pull-Down Resistors

Similar to the data I/O's, floating control inputs can cause high current consumption. This device has integrated weak static pull-downs of 5-M $\Omega$  typical on the control inputs (DIR and  $\overline{OE}$ ) to help avoid this concern. These pull-downs are always present. For example, if the DIR pin is left floating, then the B port will be configured as an input and the A port will be configured as an output.

### 8.3.2 Balanced High-Drive CMOS Push-Pull Outputs

A balanced output allows the device to sink and source similar currents. The high drive capability of this device creates fast edges into light loads so routing and load conditions should be considered to prevent ringing. Additionally, the outputs of this device are capable of driving larger currents than the device can sustain without being damaged. The electrical and thermal limits defined in the [Absolute Maximum Ratings](#) must be followed at all times.

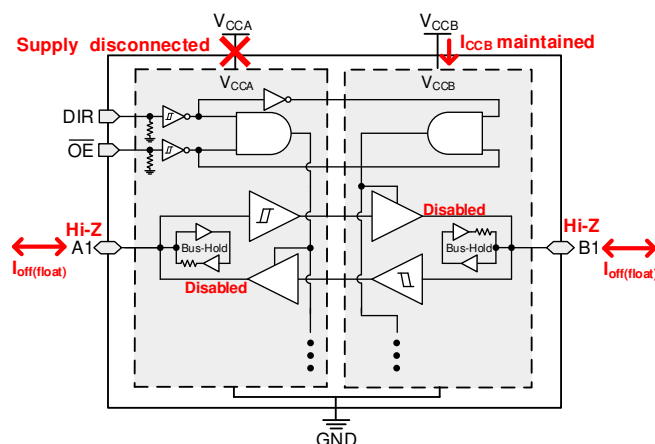
### 8.3.3 Partial Power Down ( $I_{off}$ )

The inputs and outputs for this device enter a high-impedance state when the device is powered down, inhibiting current backflow into the device.  $I_{off}$  in the [Electrical Characteristics](#) specifies the maximum leakage into or out of any input or output pin on the device.

### 8.3.4 $V_{CC}$ Isolation and $V_{CC}$ Disconnect

The inputs and outputs for this device enter a high-impedance state when either supply is <100 mV, requiring one supply to connect to the device. Note: the bus-hold circuitry always remains active even when the device is disabled and all outputs are in the high-impedance state.

Either supply can be disconnected (floated), while the other supply is still connected and the device will maintain the maximum supply current specified by  $I_{CCX(floating)}$  in the [Electrical Characteristics](#). The I/O's will not enter a high-impedance state unless the supply is disconnected after it is driven to <100 mV.  $I_{off(float)}$  in the [Electrical Characteristics](#) specifies the maximum leakage into or out of any input or output pin on the device.



**8-2.  $V_{CC}$  Disconnect Feature**

### 8.3.5 Over-Voltage Tolerant Inputs

Input signals to this device can be driven above the supply voltage as long as they remain below the maximum input voltage value specified in the [Recommended Operating Conditions](#).

### 8.3.6 Glitch-Free Power Supply Sequencing

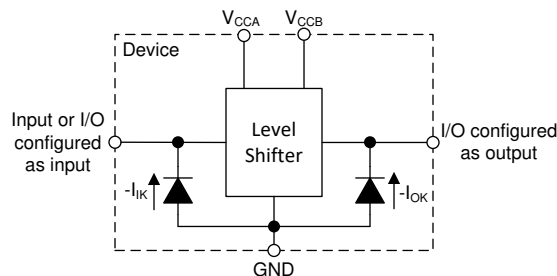
Either supply rail may be powered on or off in any order without producing a glitch on the I/Os (that is, where the output erroneously transitions to VCC when it should be held low or vice versa). Glitches of this nature can be misinterpreted by a peripheral as a valid data bit, which could trigger a false device reset of the peripheral, a false device configuration of the peripheral, or even a false data initialization by the peripheral.

### 8.3.7 Negative Clamping Diodes

The inputs and outputs to this device have negative clamping diodes as depicted in [Figure 8-3](#).

**注意**

Voltages beyond the values specified in [セクション 6.1](#) table can cause damage to the device. The input negative-voltage and output voltage ratings may be exceeded if the input and output clamp-current ratings are observed.



**Figure 8-3. Electrical Placement of Clamping Diodes for Each Input and Output**

### 8.3.8 Fully Configurable Dual-Rail Design

The  $V_{CCA}$  and  $V_{CCB}$  pins can be supplied at any voltage from 1.1 V to 5.5 V, making the device suitable for translating between any of the voltage nodes (1.2 V, 1.5 V, 1.8 V, 3.3 V, and 5.0 V).

### 8.3.9 Supports High-Speed Translation

The SN74LXCH8T245 device can support high data-rate applications. The translated signal data rate can be up to 420 Mbps when the signal is translated from 3.3 V to 5.0 V.

### 8.3.10 Bus-Hold Data Inputs

Each data input on this device includes a weak latch that maintains a valid logic level on the input. The state of these latches is unknown at startup and remains unknown until the input has been forced to a valid high or low state. After data is sent through a channel, the latch maintains the previous state on the input (if the line is left floating). It is not recommended to use pull-up or pull-down resistors together with a bus-hold input, as it may cause undefined inputs to occur which leads to excessive current consumption.

Bus-hold data inputs prevent floating inputs on this device. The [Implications of Slow or Floating CMOS Inputs](#) application report explains the problems associated with leaving the CMOS inputs floating. These latches remain active at all times, independent of all control signals such as direction control or output enable. The latches also remain active when the device is in the partial power down state, corresponding supply is still present, or when the I/O's are floated. The [Bus-Hold Circuit](#) application report has additional details regarding bus-hold inputs.

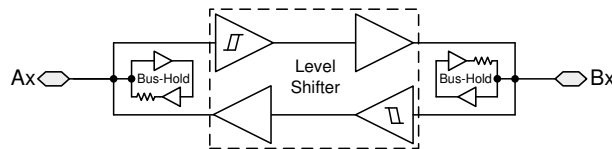


图 8-4. Schematic Description of Location of Bus-Hold Circuits

## 8.4 Device Functional Modes

表 8-1. Function Table<sup>(1)</sup>

CONTROL INPUTS		Port Status		OPERATION
OE	DIR	A PORT	B PORT	
L	L	Output (Enabled)	Input (Hi-Z)	B data to A bus
L	H	Input (Hi-Z)	Output (Enabled)	A data to B bus
H	X	Input (Hi-Z)	Input (Hi-Z)	Isolation

(1) Input circuits of the data I/Os are always active.

## 9 Application and Implementation

### 注

以下のアプリケーション情報は、TI の製品仕様に含まれるものではなく、TI ではその正確性または完全性を保証いたしません。個々の目的に対する製品の適合性については、お客様の責任で判断していただくこととなります。また、お客様は自身の設計実装を検証しテストすることで、システムの機能を確認する必要があります。

### 9.1 Application Information

The SN74LXCH8T245 device can be used in level-translation applications for interfacing devices or systems operating at different interface voltages with one another. The SN74LXCH8T245 device is ideal for use in applications where a push-pull driver is connected to the data I/Os. The maximum data rate can be up to 420 Mbps when the device translates a signal from 3.3 V to 5.0 V.

### 9.2 Typical Application

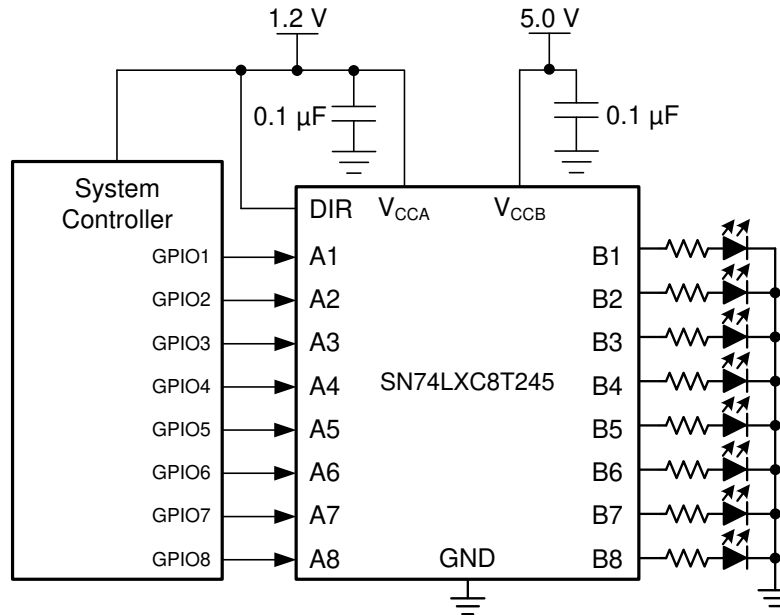


図 9-1. LED Driver Application

#### 9.2.1 Design Requirements

Use the parameters listed in 表 9-1 for this design example.

表 9-1. Design Parameters

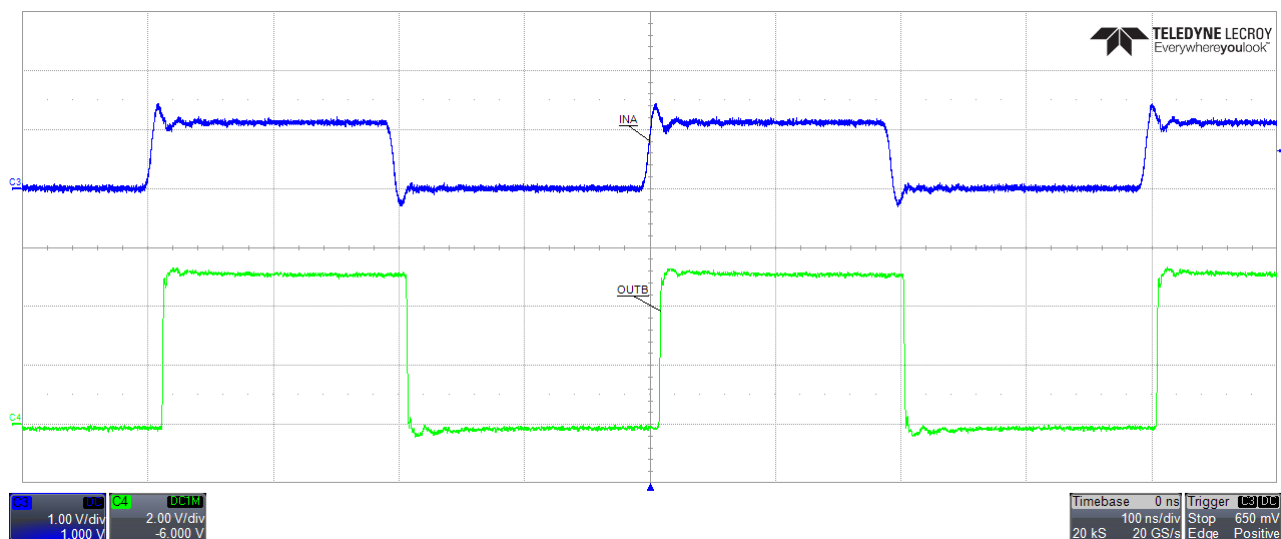
DESIGN PARAMETERS	EXAMPLE VALUES
Input voltage range	1.1 V to 5.5 V
Output voltage range	1.1 V to 5.5 V

## 9.2.2 Detailed Design Procedure

To begin the design process, determine the following:

- Input voltage range:
  - Use the supply voltage of the device that is driving the SN74LXCH8T245 device to determine the input voltage range. The value must exceed the high-level input voltage ( $V_{IH}$ ) of the input port for a valid logic-high. The value must be less than the low-level input voltage ( $V_{IL}$ ) of the input port for a valid logic low.
- Output voltage range:
  - Use the device's supply voltage that the SN74LXCH8T245 device is driving to determine the output voltage range.

## 9.2.3 Application Curve



9-2. Up Translation at 2.5 MHz (1.2 V to 5 V)



## 10 Power Supply Recommendations

Always apply a ground reference to the GND pins first. This device is designed for glitch free power sequencing without any supply sequencing requirements such as ramp order or ramp rate.

セクション 8.3.6 describes how this device was designed with various power supply sequencing methods in mind to help prevent unintended triggering of downstream devices.

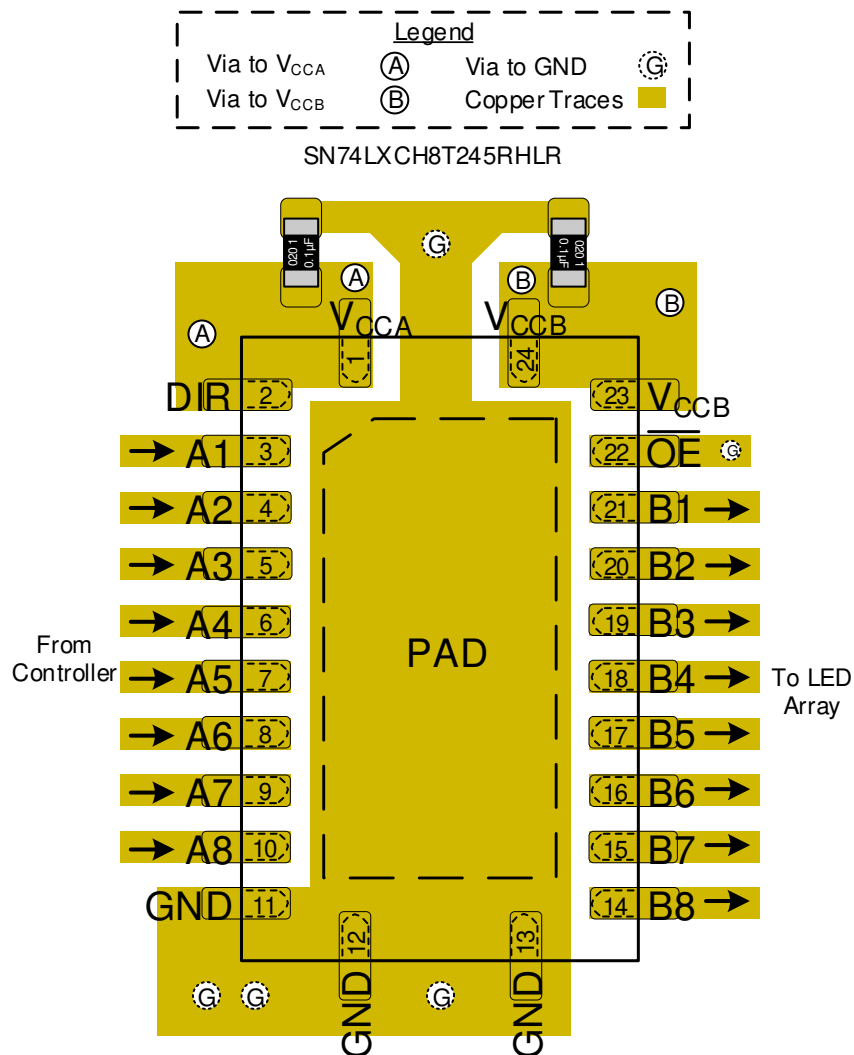
## 11 Layout

### 11.1 Layout Guidelines

Following common printed-circuit board layout guidelines are recommended to ensure reliability of the device, which follows:

- Use bypass capacitors on the power supply pins and place them as close to the device as possible. A 0.1  $\mu\text{F}$  capacitor is recommended, but transient performance can be improved by having both 1  $\mu\text{F}$  and 0.1  $\mu\text{F}$  capacitors in parallel as bypass capacitors.
- The high drive capability of this device creates fast edges into light loads; so routing and load conditions should be considered to prevent ringing.

### 11.2 Layout Example



11-1. Layout Example

## 12 Device and Documentation Support

### 12.1 Documentation Support

#### 12.1.1 Related Documentation

For related documentation, see the following:

- Texas Instruments, [CMOS Power Consumption and  \$C\_{pd}\$  Calculation application report](#)
- Texas Instruments, [Implications of Slow or Floating CMOS Inputs application report](#)
- Texas Instruments, [Semiconductor and IC Package Thermal Metrics application report](#)
- Texas Instruments, [System Considerations for Using Bus-Hold Circuits to Avoid Floating Inputs application report](#)

#### 12.2 Receiving Notification of Documentation Updates

To receive notification of documentation updates, navigate to the device product folder on [ti.com](#). Click on *Subscribe to updates* to register and receive a weekly digest of any product information that has changed. For change details, review the revision history included in any revised document.

#### 12.3 サポート・リソース

TI E2E™ サポート・フォーラムは、エンジニアが検証済みの回答と設計に関するヒントをエキスパートから迅速かつ直接得ることができる場所です。既存の回答を検索したり、独自の質問をしたりすることで、設計に必要な支援を迅速に得ることができます。

リンクされているコンテンツは、該当する貢献者により、現状のまま提供されるものです。これらは TI の仕様を構成するものではなく、必ずしも TI の見解を反映したものではありません。TI の [使用条件](#) を参照してください。

#### 12.4 Trademarks

TI E2E™ is a trademark of Texas Instruments.

すべての商標は、それぞれの所有者に帰属します。

#### 12.5 静電気放電に関する注意事項



この IC は、ESD によって破損する可能性があります。テキサス・インスツルメンツは、IC を取り扱う際には常に適切な注意を払うことを推奨します。正しい ESD 対策をとらないと、デバイスを破損するおそれがあります。

ESD による破損は、わずかな性能低下からデバイスの完全な故障まで多岐にわたります。精密な IC の場合、パラメータがわずかに変化するだけで公表されている仕様から外れる可能性があるため、破損が発生しやすくなっています。

#### 12.6 用語集

**TI 用語集** この用語集には、用語や略語の一覧および定義が記載されています。

## 13 Mechanical, Packaging, and Orderable Information

The following pages include mechanical, packaging, and orderable information. This information is the most current data available for the designated devices. This data is subject to change without notice and revision of this document. For browser-based versions of this data sheet, refer to the left-hand navigation.

**PACKAGING INFORMATION**

Orderable Device	Status (1)	Package Type	Package Drawing	Pins	Package Qty	Eco Plan (2)	Lead finish/ Ball material (6)	MSL Peak Temp (3)	Op Temp (°C)	Device Marking (4/5)	Samples
SN74LXCH8T245PWR	ACTIVE	TSSOP	PW	24	2000	RoHS & Green	NIPDAU	Level-1-260C-UNLIM	-40 to 125	LXH8T245	<a href="#">Samples</a>
SN74LXCH8T245RHLR	ACTIVE	VQFN	RHL	24	3000	RoHS & Green	NIPDAU	Level-1-260C-UNLIM	-40 to 125	LX8T245H	<a href="#">Samples</a>

(1) The marketing status values are defined as follows:

**ACTIVE:** Product device recommended for new designs.

**LIFEBUY:** TI has announced that the device will be discontinued, and a lifetime-buy period is in effect.

**NRND:** Not recommended for new designs. Device is in production to support existing customers, but TI does not recommend using this part in a new design.

**PREVIEW:** Device has been announced but is not in production. Samples may or may not be available.

**OBSOLETE:** TI has discontinued the production of the device.

(2) **RoHS:** TI defines "RoHS" to mean semiconductor products that are compliant with the current EU RoHS requirements for all 10 RoHS substances, including the requirement that RoHS substance do not exceed 0.1% by weight in homogeneous materials. Where designed to be soldered at high temperatures, "RoHS" products are suitable for use in specified lead-free processes. TI may reference these types of products as "Pb-Free".

**RoHS Exempt:** TI defines "RoHS Exempt" to mean products that contain lead but are compliant with EU RoHS pursuant to a specific EU RoHS exemption.

**Green:** TI defines "Green" to mean the content of Chlorine (Cl) and Bromine (Br) based flame retardants meet JS709B low halogen requirements of <=1000ppm threshold. Antimony trioxide based flame retardants must also meet the <=1000ppm threshold requirement.

(3) MSL, Peak Temp. - The Moisture Sensitivity Level rating according to the JEDEC industry standard classifications, and peak solder temperature.

(4) There may be additional marking, which relates to the logo, the lot trace code information, or the environmental category on the device.

(5) Multiple Device Markings will be inside parentheses. Only one Device Marking contained in parentheses and separated by a "~" will appear on a device. If a line is indented then it is a continuation of the previous line and the two combined represent the entire Device Marking for that device.

(6) Lead finish/Ball material - Orderable Devices may have multiple material finish options. Finish options are separated by a vertical ruled line. Lead finish/Ball material values may wrap to two lines if the finish value exceeds the maximum column width.

**Important Information and Disclaimer:**The information provided on this page represents TI's knowledge and belief as of the date that it is provided. TI bases its knowledge and belief on information provided by third parties, and makes no representation or warranty as to the accuracy of such information. Efforts are underway to better integrate information from third parties. TI has taken and continues to take reasonable steps to provide representative and accurate information but may not have conducted destructive testing or chemical analysis on incoming materials and chemicals. TI and TI suppliers consider certain information to be proprietary, and thus CAS numbers and other limited information may not be available for release.

In no event shall TI's liability arising out of such information exceed the total purchase price of the TI part(s) at issue in this document sold by TI to Customer on an annual basis.



**TAPE AND REEL INFORMATION**

**QUADRANT ASSIGNMENTS FOR PIN 1 ORIENTATION IN TAPE**


\*All dimensions are nominal

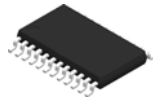
Device	Package Type	Package Drawing	Pins	SPQ	Reel Diameter (mm)	Reel Width W1 (mm)	A0 (mm)	B0 (mm)	K0 (mm)	P1 (mm)	W (mm)	Pin1 Quadrant
SN74LXCH8T245PWR	TSSOP	PW	24	2000	330.0	16.4	6.95	8.3	1.6	8.0	16.0	Q1
SN74LXCH8T245RHLR	VQFN	RHL	24	3000	330.0	12.4	3.8	5.8	1.2	8.0	12.0	Q1

**TAPE AND REEL BOX DIMENSIONS**


\*All dimensions are nominal

Device	Package Type	Package Drawing	Pins	SPQ	Length (mm)	Width (mm)	Height (mm)
SN74LXCH8T245PWR	TSSOP	PW	24	2000	356.0	356.0	35.0
SN74LXCH8T245RHLR	VQFN	RHL	24	3000	367.0	367.0	35.0

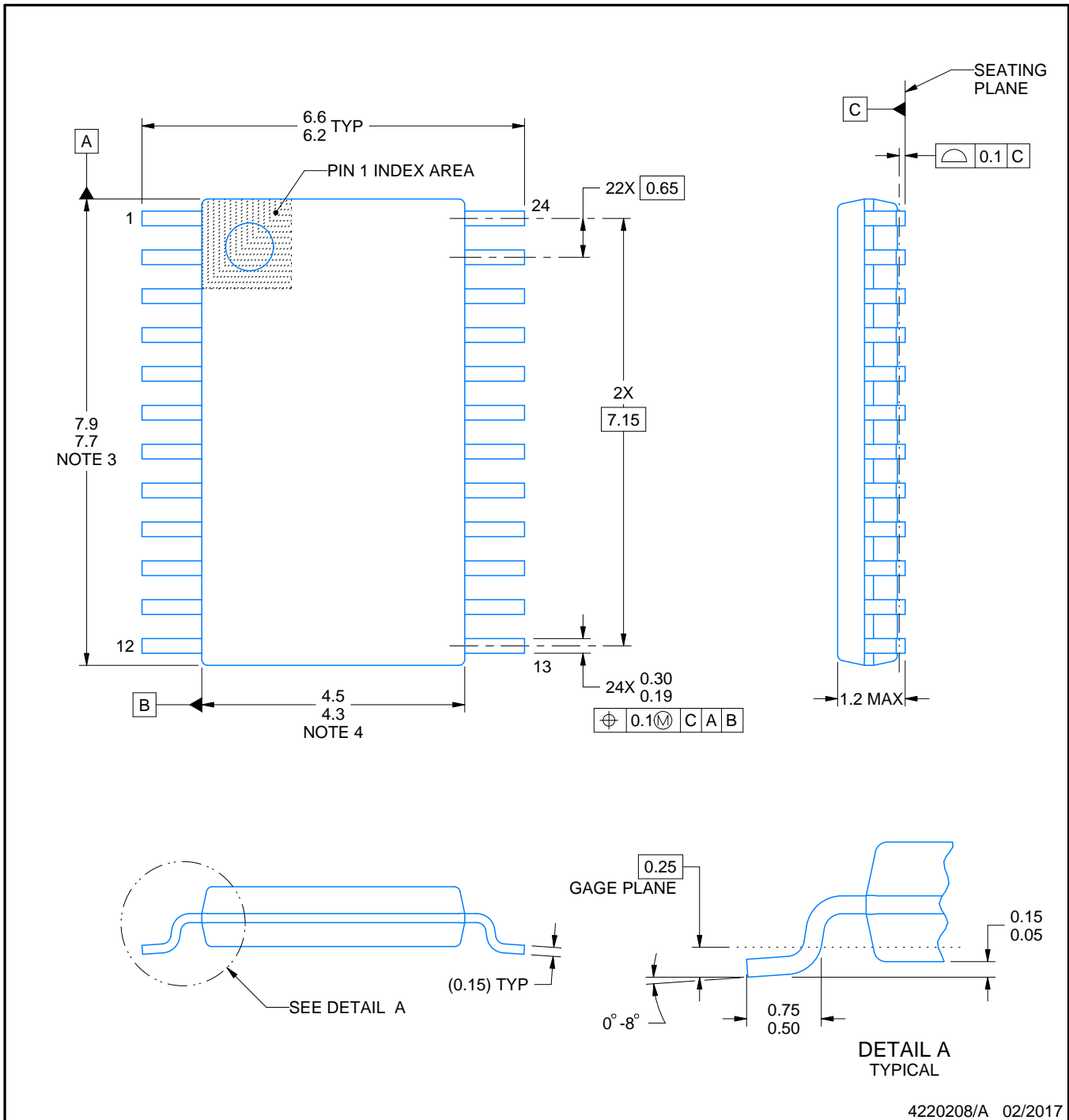
# PW0024A



# PACKAGE OUTLINE

## TSSOP - 1.2 mm max height

SMALL OUTLINE PACKAGE



4220208/A 02/2017

### NOTES:

1. All linear dimensions are in millimeters. Any dimensions in parenthesis are for reference only. Dimensioning and tolerancing per ASME Y14.5M.
2. This drawing is subject to change without notice.
3. This dimension does not include mold flash, protrusions, or gate burrs. Mold flash, protrusions, or gate burrs shall not exceed 0.15 mm per side.
4. This dimension does not include interlead flash. Interlead flash shall not exceed 0.25 mm per side.
5. Reference JEDEC registration MO-153.

# EXAMPLE BOARD LAYOUT

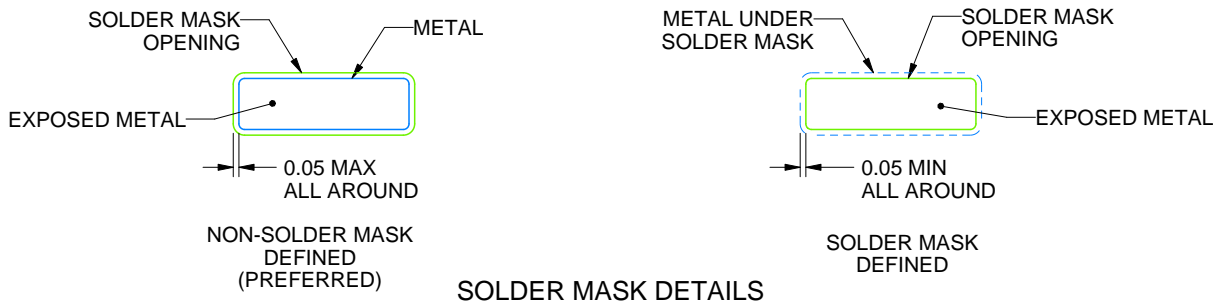
PW0024A

TSSOP - 1.2 mm max height

SMALL OUTLINE PACKAGE



LAND PATTERN EXAMPLE  
EXPOSED METAL SHOWN  
SCALE: 10X



SOLDER MASK DETAILS

4220208/A 02/2017

NOTES: (continued)

- 6. Publication IPC-7351 may have alternate designs.
- 7. Solder mask tolerances between and around signal pads can vary based on board fabrication site.



# EXAMPLE STENCIL DESIGN

PW0024A

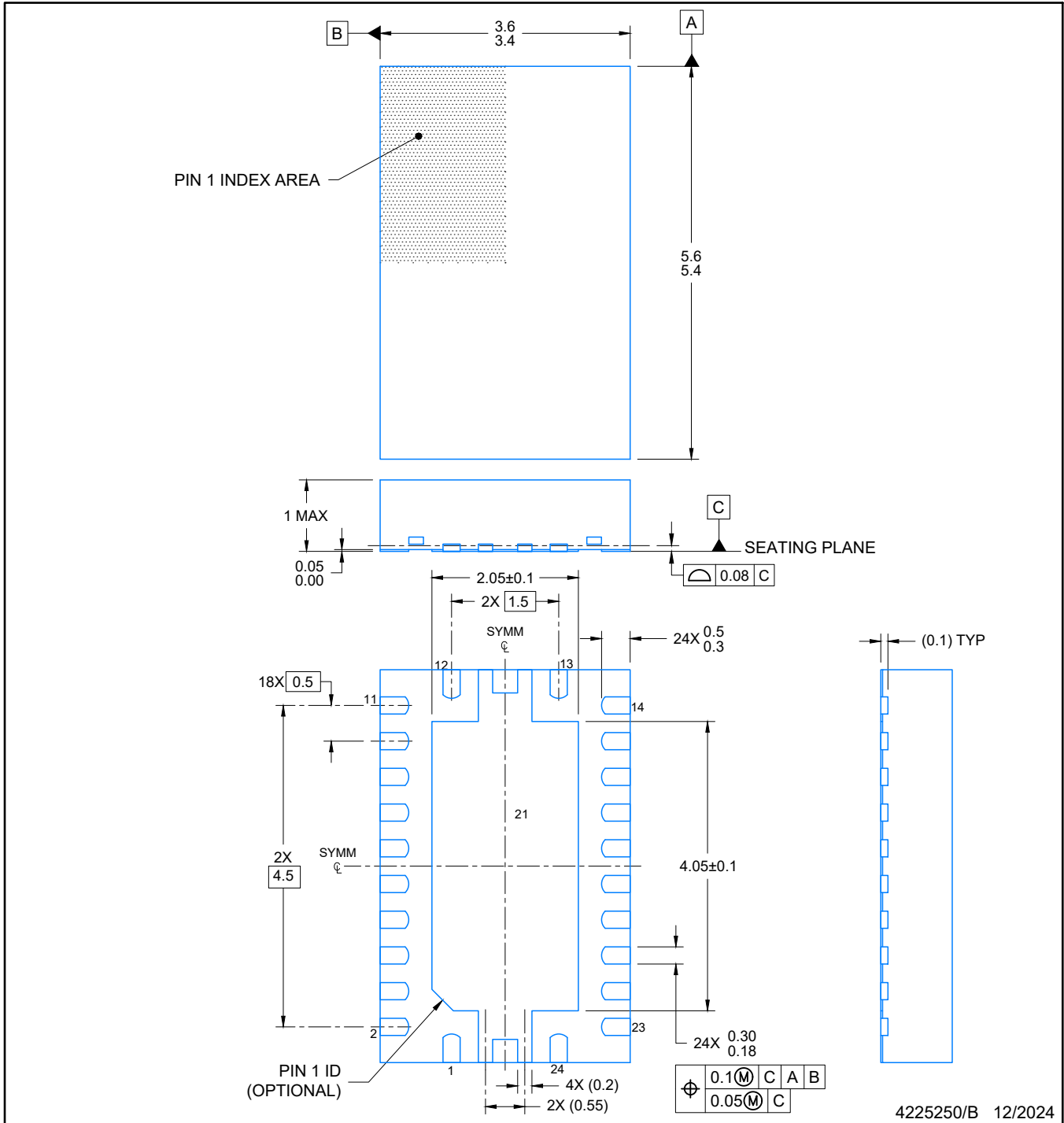
TSSOP - 1.2 mm max height

SMALL OUTLINE PACKAGE



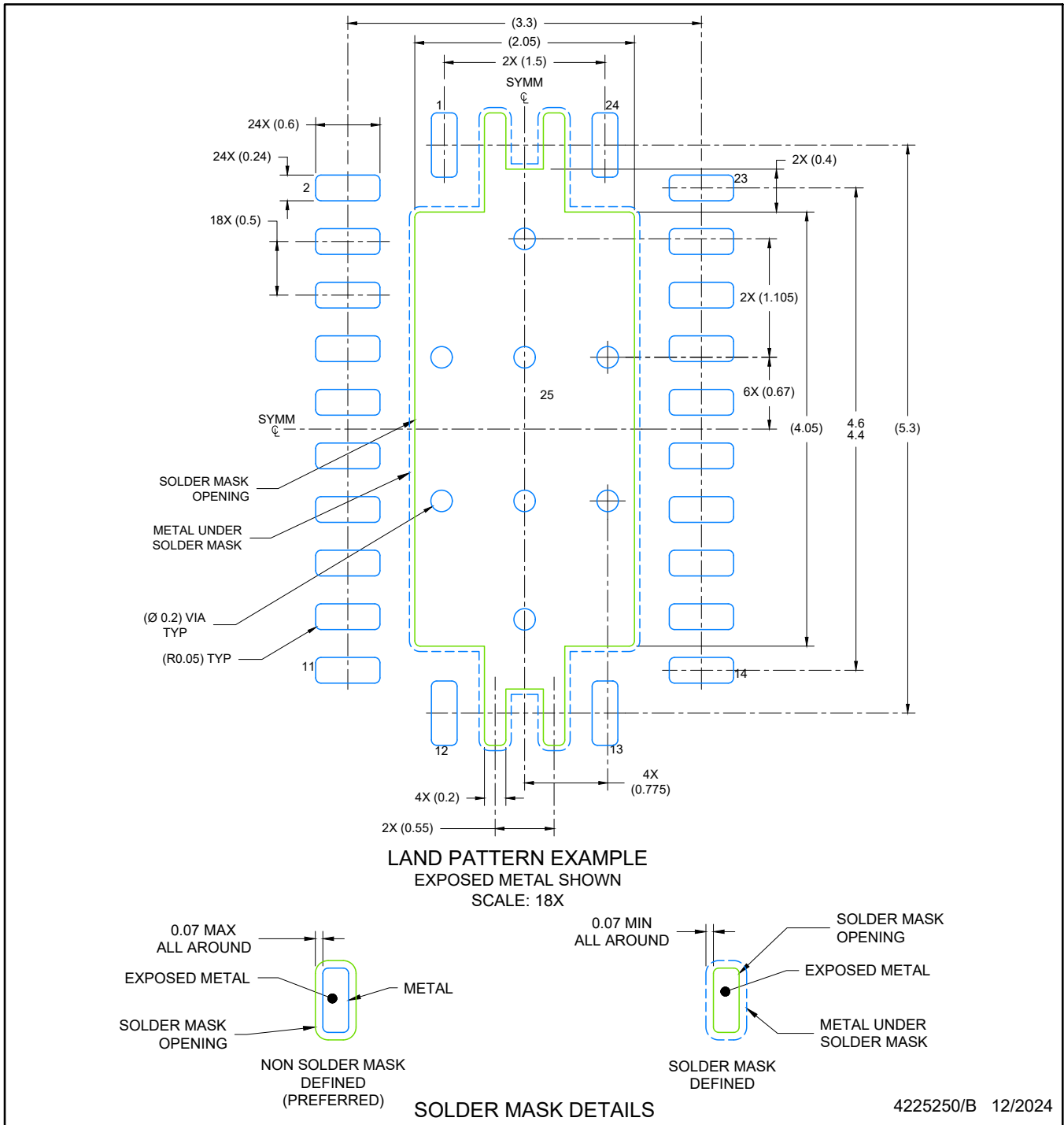
NOTES: (continued)

8. Laser cutting apertures with trapezoidal walls and rounded corners may offer better paste release. IPC-7525 may have alternate design recommendations.
9. Board assembly site may have different recommendations for stencil design.



NOTES:

1. All linear dimensions are in millimeters. Any dimensions in parenthesis are for reference only. Dimensioning and tolerancing per ASME Y14.5M.
2. This drawing is subject to change without notice.
3. The package thermal pad must be soldered to the printed circuit board for optimal thermal and mechanical performance.



NOTES: (continued)

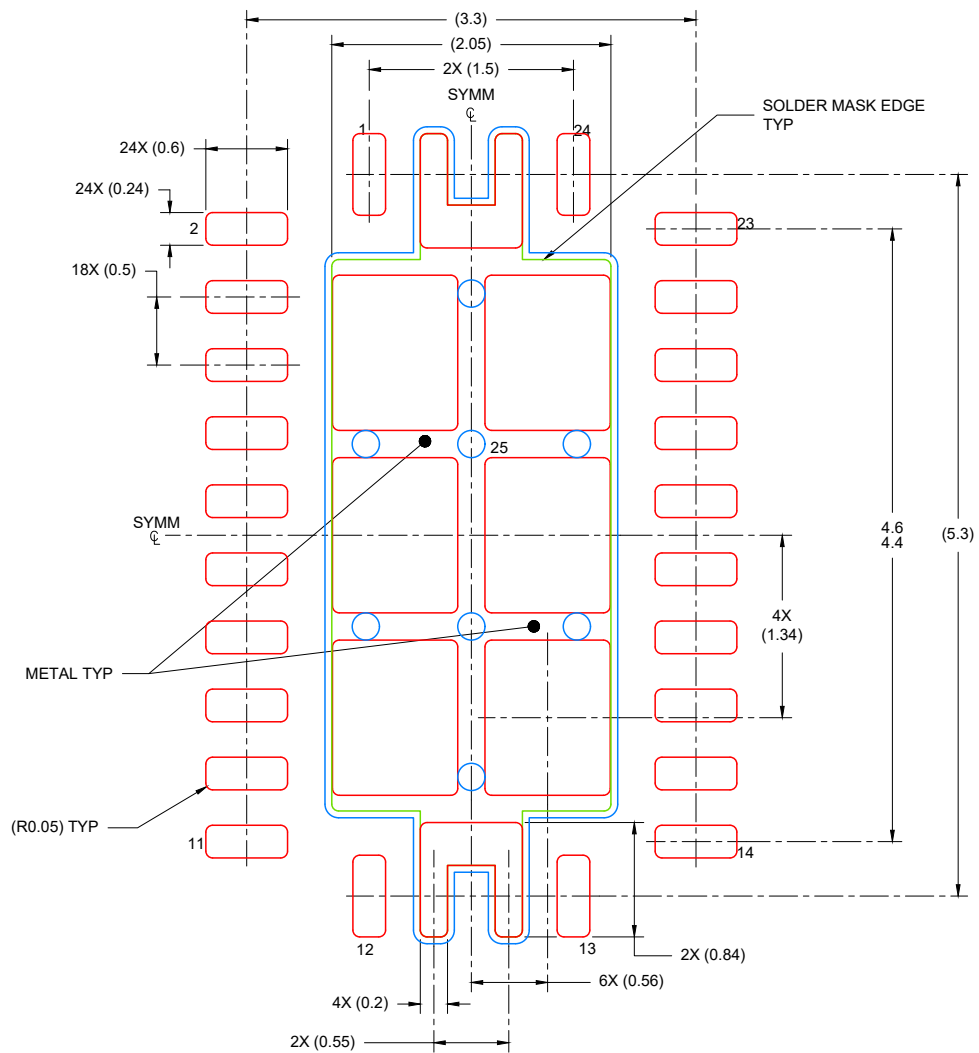
4. This package is designed to be soldered to a thermal pad on the board. For more information, see Texas Instruments literature number SLUA271 ([www.ti.com/lit/slua271](http://www.ti.com/lit/slua271)).
5. Vias are optional depending on application, refer to device data sheet. If any vias are implemented, refer to their locations shown on this view. It is recommended that vias under paste be filled, plugged or tented.

# EXAMPLE STENCIL DESIGN

VQFN - 1 mm max height

RHL0024A

PLASTIC QUAD FLATPACK- NO LEAD



SOLDER PASTE EXAMPLE  
BASED ON 0.125 mm THICK STENCIL

EXPOSED PAD  
80% PRINTED COVERAGE BY AREA  
SCALE: 18X

4225250/B 12/2024

NOTES: (continued)

6. Laser cutting apertures with trapezoidal walls and rounded corners may offer better paste release. IPC-7525 may have alternate design recommendations.

## 重要なお知らせと免責事項

テキサス・インスツルメンツは、技術データと信頼性データ(データシートを含みます)、設計リソース(リファレンス デザインを含みます)、アプリケーションや設計に関する各種アドバイス、Web ツール、安全性情報、その他のリソースを、欠陥が存在する可能性のある「現状のまま」提供しており、商品性および特定目的に対する適合性の黙示保証、第三者の知的財産権の非侵害保証を含むいかなる保証も、明示的または黙示的にかかわらず拒否します。

これらのリソースは、テキサス・インスツルメンツ製品を使用する設計の経験を積んだ開発者への提供を意図したものです。(1) お客様のアプリケーションに適したテキサス・インスツルメンツ製品の選定、(2) お客様のアプリケーションの設計、検証、試験、(3) お客様のアプリケーションに該当する各種規格や、その他のあらゆる安全性、セキュリティ、規制、または他の要件への確実な適合に関する責任を、お客様のみが単独で負うものとし、ます。

上記の各種リソースは、予告なく変更される可能性があります。これらのリソースは、リソースで説明されているテキサス・インスツルメンツ製品を使用するアプリケーションの開発の目的でのみ、テキサス・インスツルメンツはその使用をお客様に許諾します。これらのリソースに関して、他の目的で複製することや掲載することは禁止されています。テキサス・インスツルメンツや第三者の知的財産権のライセンスが付与されている訳ではありません。お客様は、これらのリソースを自身で使用した結果発生するあらゆる申し立て、損害、費用、損失、責任について、テキサス・インスツルメンツおよびその代理人を完全に補償するものとし、テキサス・インスツルメンツは一切の責任を拒否します。

テキサス・インスツルメンツの製品は、[テキサス・インスツルメンツの販売条件](#)、または [ti.com](https://www.ti.com) やかかるテキサス・インスツルメンツ製品の関連資料などのいずれかを通じて提供する適用可能な条項の下で提供されています。テキサス・インスツルメンツがこれらのリソースを提供することは、適用されるテキサス・インスツルメンツの保証または他の保証の放棄の拡大や変更を意味するものではありません。

お客様がいかなる追加条項または代替条項を提案した場合でも、テキサス・インスツルメンツはそれらに異議を唱え、拒否します。

郵送先住所：Texas Instruments, Post Office Box 655303, Dallas, Texas 75265  
Copyright © 2025, Texas Instruments Incorporated