

OPA1633 高性能、完全差動オーディオ・オペアンプ



1 特長

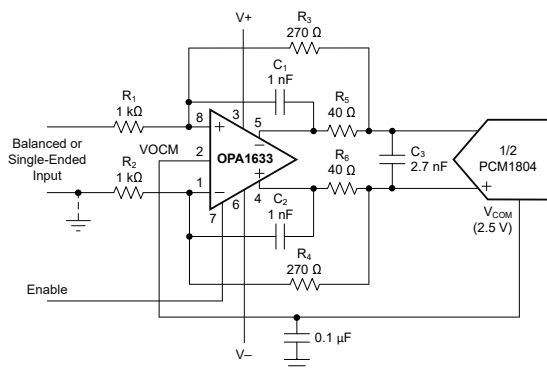
- 優れた音質
- 超低歪: 132dB
- 低ノイズ: 1.1nV/√Hz
- 高速:
 - スルーレート: 80V/μs
 - ゲイン帯域幅積: 200MHz
- 完全差動アーキテクチャ:
 - シングルエンド入力を平衡型の差動出力に変換する平衡型入力および出力
- 広い電源電圧範囲: ±2.5V ~ ±17.5V
- シャットダウン電流: 0.77mA (V_S = ±5V)
- 温度範囲: -40°C ~ +85°C
- パッケージ: HVSSOP-8、SOIC-8

2 アプリケーション

- 業務用オーディオ・ミキサ / 制御卓
- 業務用マイク / ワイヤレス・システム
- 業務用スピーカ・システム
- 業務用オーディオ・アンプ
- サウンドバー
- ターンテーブル
- 業務用ビデオ・カメラ
- ギターおよびその他楽器用アンプ
- データ・アキュイジション (DAQ)
- OPA1632 へのピン互換アップグレード

3 概要

OPA1633 は、高性能オーディオ A/D コンバータ (ADC) を駆動するために、または D 級アンプ用プリドライバとして設計された完全差動アンプ (FDA) です。



アプリケーション図

OPA1633 は優れた音質、超低ノイズ、大きな出力電圧振幅、大電流駆動を実現します。OPA1633 は、200MHz の優れたゲイン帯域幅積と、超低歪みの実現に役立つ 80V/μs の超高速スルーレートを備えています。さらに、1.1nV/√Hz の非常に小さい入力電圧ノイズにより、最大限の信号対雑音比とダイナミック・レンジを確保できます。

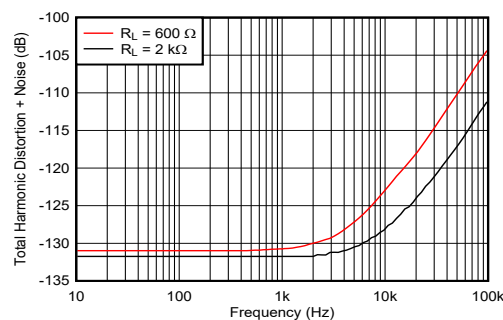
完全差動アーキテクチャの柔軟性を利用すると、シングルエンドから完全差動への出力変換を簡単に実装できます。差動出力は、偶数次の高調波を低減し、同相モード・ノイズによる干渉を最小化します。OPA1633 は、PCM1804 などの高性能オーディオ ADC を駆動するために使用する際に優れた性能を発揮します。待機時の電力を節約するため、シャットダウン機能が備わっています。

OPA1633 は、-40°C ~ +85°C で動作し、SO-8 パッケージと放熱特性の優れた HVSSOP PowerPAD™ IC パッケージで供給されます。

パッケージ情報

部品番号	パッケージ (1)	パッケージ・サイズ (2)
OPA1633	D (SOIC, 8)	4.9mm × 6mm
	DGN (HVSSOP, 8)	3mm × 4.9mm

- 利用可能なすべてのパッケージについては、データシートの末尾にある注文情報を参照してください。
- パッケージ・サイズ (長さ × 幅) は公称値であり、該当する場合はピンも含まれます。



THD + ノイズと周波数との関係



Table of Contents

1 特長	1	7.4 Device Functional Modes.....	12
2 アプリケーション	1	8 Application and Implementation	13
3 概要	1	8.1 Application Information.....	13
4 Revision History	2	8.2 Typical Application.....	14
5 Pin Configuration and Functions	3	8.3 Power Supply Recommendations.....	15
6 Specifications	4	8.4 Layout.....	16
6.1 Absolute Maximum Ratings.....	4	9 Device and Documentation Support	19
6.2 ESD Ratings.....	4	9.1 Documentation Support.....	19
6.3 Recommended Operating Conditions.....	4	9.2 ドキュメントの更新通知を受け取る方法.....	19
6.4 Thermal Information.....	4	9.3 サポート・リソース.....	19
6.5 Electrical Characteristics.....	5	9.4 Trademarks.....	19
6.6 Typical Characteristics.....	7	9.5 静電気放電に関する注意事項.....	19
7 Detailed Description	11	9.6 用語集.....	19
7.1 Overview.....	11	10 Mechanical, Packaging, and Orderable Information	19
7.2 Functional Block Diagram.....	11		
7.3 Feature Description.....	12		

4 Revision History

資料番号末尾の英字は改訂を表しています。その改訂履歴は英語版に準じています。

Changes from Revision * (February 2023) to Revision A (June 2023)

Page

• データシートステータスを事前情報 (プレビュー) から量産データ (アクティブ) に変更.....	1
---	---

5 Pin Configuration and Functions

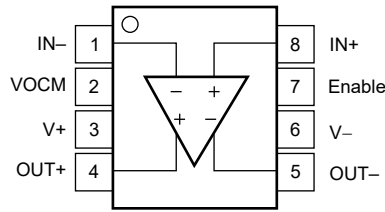


图 5-1. D Package, 8-Pin SOIC or DGN⁽¹⁾ Package, 8-Pin HVSSOP (Top View)

表 5-1. Pin Functions

PIN		TYPE ⁽²⁾	DESCRIPTION
NAME	NO.		
Enable	7	I	Active-high enable pin
V+	3	I/O	Positive supply voltage pin
V-	6	I/O	Negative supply voltage pin
IN+	8	I	Positive input voltage pin
IN-	1	I	Negative input voltage pin
VOCM	2	I	Output common-mode control voltage pin
OUT+	4	O	Positive output voltage pin
OUT-	5	O	Negative output voltage pin

- (1) Solder the exposed DGN package thermal pad to a heat-spreading power or ground plane. This pad is electrically isolated from the die, but must be connected to a power or ground plane and not floated.
- (2) I = input, O = output.

6 Specifications

6.1 Absolute Maximum Ratings

over operating free-air temperature range (unless otherwise noted)⁽¹⁾ ⁽²⁾

		MIN	MAX	UNIT
V _S	Supply voltage		±18.5	V
	Supply turn on and turn off dV/dT ⁽³⁾		1.7	V/μs
V _I	Input voltage		±V _S	V
I _O	Output current		150	mA
I _{IN}	Continuous input current		10	mA
V _{ID}	Differential input voltage		±1.5	V
T _J	Junction temperature		150	°C
T _A	Ambient temperature	–40	85	°C
T _{stg}	Storage temperature	–65	150	°C

- Operation outside the Absolute Maximum Ratings may cause permanent device damage. Absolute maximum ratings do not imply functional operation of the device at these or any other conditions beyond those listed under Recommended Operating Conditions. If briefly operating outside the Recommended Operating Conditions but within the Absolute Maximum Ratings, the device may not sustain damage, but it may not be fully functional. Operating the device in this manner may affect device reliability, functionality, performance, and shorten the device lifetime.
- The OPA1633 HVSSOP PowerPAD integrated circuit package incorporates a thermal pad on the underside of the chip. This thermal pad acts as a heat sink and must be connected to a thermally-dissipative plane for proper power dissipation. Failure to do so can result in exceeding the maximum junction temperature, which can permanently damage the device. See TI technical brief [SLMA002](#) for more information about using the thermally-enhanced PowerPAD integrated circuit package.
- Stay below this specification to make sure that the edge-triggered ESD absorption devices across the supply pins remain off.

6.2 ESD Ratings

			VALUE	UNIT
V _(ESD)	Electrostatic discharge	Human-body model (HBM), per ANSI/ESDA/JEDEC JS-001 ⁽¹⁾	±2000	V
		Charged-device model (CDM), per ANSI/ESDA/JEDEC JS-002 ⁽²⁾	±1500	

- JEDEC document JEP155 states that 500-V HBM allows safe manufacturing with a standard ESD control process.
- JEDEC document JEP157 states that 250-V CDM allows safe manufacturing with a standard ESD control process.

6.3 Recommended Operating Conditions

over operating free-air temperature range (unless otherwise noted)

			MIN	MAX	UNIT
V _S	Supply voltage	Dual	±2	±17.5	V
		Single	4	35	
T _A	Ambient temperature		–40	85	°C

6.4 Thermal Information

THERMAL METRIC ⁽¹⁾		OPA1633		UNIT
		D (SOIC)	DGN (HVSSOP)	
		8 PINS	8 PINS	
R _{θJA}	Junction-to-ambient thermal resistance	126.3	57.6	°C/W
R _{θJC(top)}	Junction-to-case (top) thermal resistance	67.3	76.3	°C/W
R _{θJB}	Junction-to-board thermal resistance	69.8	30.0	°C/W
ψ _{JT}	Junction-to-top characterization parameter	19.5	4.0	°C/W
ψ _{JB}	Junction-to-board characterization parameter	69.0	29.9	°C/W
R _{θJC(bot)}	Junction-to-case (bottom) thermal resistance	N/A	14.3	°C/W

- For information about traditional and new thermal metrics, see the [Semiconductor and IC Package Thermal Metrics](#) application report.

6.5 Electrical Characteristics

at $V_S = \pm 15\text{ V}$, $R_F = 390\ \Omega$, $R_L = 800\ \Omega$, and $G = +1$ (unless otherwise noted)

PARAMETER		TEST CONDITIONS		MIN	TYP	MAX	UNIT
OFFSET VOLTAGE							
V_{OS}	Input offset voltage				0.2	2	mV
dV_{OS}/dT	Offset voltage drift				± 0.6		$\mu\text{V}/^\circ\text{C}$
PSRR	Power supply rejection ratio				13	100	$\mu\text{V}/\text{V}$
INPUT BIAS CURRENT							
I_B	Input bias current				6.8	11.5	μA
I_{OS}	Input offset current				± 20	± 400	nA
NOISE							
e_N	Input voltage noise density	$f = 10\text{ kHz}$			1.1		$\text{nV}/\sqrt{\text{Hz}}$
i_N	Input current noise density	$f = 10\text{ kHz}$			1.3		$\text{pA}/\sqrt{\text{Hz}}$
INPUT VOLTAGE							
V_{CM}	Common-mode voltage			$(V^-) + 1.5$		$(V^+) - 1$	
CMRR	Common-mode rejection ratio			80	100		dB
INPUT IMPEDANCE							
	Input impedance	Common-mode	Measured into each input pin		$320 \parallel 1.3$		$\text{M}\Omega \parallel \text{pF}$
		Differential	Measured into each input pin		$12 \parallel 2.3$		$\text{k}\Omega \parallel \text{pF}$
OPEN-LOOP GAIN							
A_{OL}	Open-loop gain			91	97		dB
FREQUENCY RESPONSE							
SSBW	Small signal bandwidth	$(V_O = 100\text{ mV}_{PP}, \text{ peaking} < 0.5\text{ dB})$	$G = +1, R_F = 348\ \Omega$		200		MHz
			$G = +2, R_F = 602\ \Omega$		117		
			$G = +5, R_F = 1.5\text{ k}\Omega$		53		
			$G = +10, R_F = 3.01\text{ k}\Omega$		26		
	Bandwidth for 0.1-dB flatness		$G = +1, V_O = 100\text{ mV}_{PP}$		40		MHz
	Peaking at a gain of 1		$V_O = 100\text{ mV}_{PP}$		0.25		dB
LSBW	Large-signal bandwidth		$G = +2, V_O = 20\text{ V}_{PP}$		3		MHz
SR	Slew rate (25% to 75%)		$G = +1$		80		$\text{V}/\mu\text{s}$
			Rise and fall time	$G = +1, V_O = 5\text{-V step}$	62		ns
t_s	Settling time	To 0.1%	$G = +1, V_O = 2\text{-V step}$		30		ns
		To 0.01%	$G = +1, V_O = 2\text{-V step}$		40		
THD+N	Total harmonic distortion + noise	Differential input/output	$G = +1, f = 1\text{ kHz}, V_O = 3\text{ V}_{RMS}$	$R_L = 600\ \Omega$	131		dB
				$R_L = 2\text{ k}\Omega$	132		
		Single-ended in/differential out	$G = +1, f = 1\text{ kHz}, V_O = 3\text{ V}_{RMS}$	$R_L = 600\ \Omega$	131		
				$R_L = 2\text{ k}\Omega$	132		
IMD	Intermodulation distortion	Differential input/output	$G = +1, \text{ SMPTE/DIN}, V_O = 2\text{ V}_{PP}$	$R_L = 600\ \Omega$	125		dB
				$R_L = 2\text{ k}\Omega$	125		
		Single-ended in/differential out	$G = +1, \text{ SMPTE/DIN}, V_O = 2\text{ V}_{PP}$	$R_L = 600\ \Omega$	125		
				$R_L = 2\text{ k}\Omega$	125		
	Headroom		$\text{THD} < 0.01\%, R_L = 2\text{ k}\Omega$		40		V_{PP}

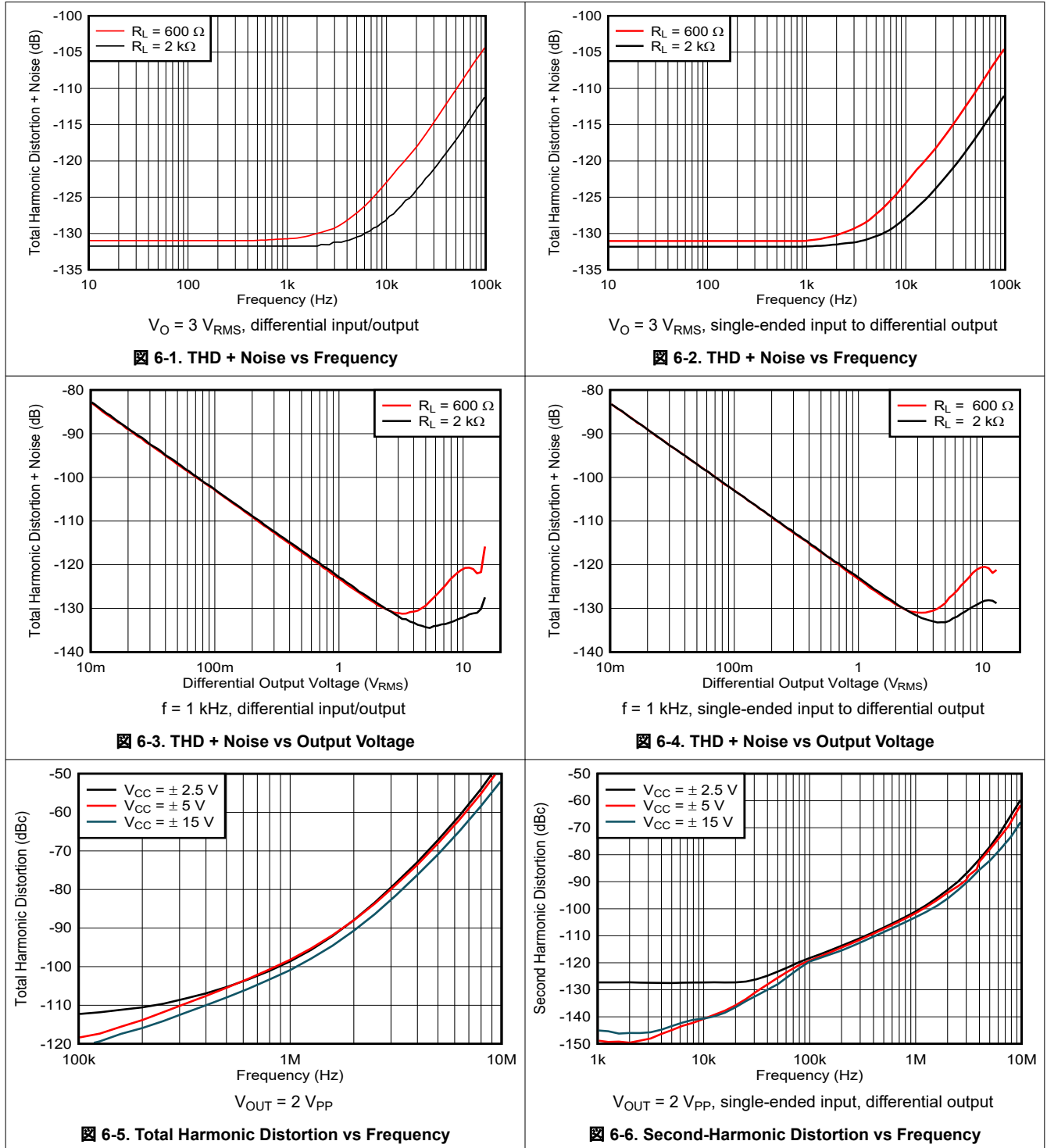
6.5 Electrical Characteristics (continued)

at $V_S = \pm 15\text{ V}$, $R_F = 390\ \Omega$, $R_L = 800\ \Omega$, and $G = +1$ (unless otherwise noted)

PARAMETER		TEST CONDITIONS	MIN	TYP	MAX	UNIT
OUTPUT						
V_O	Voltage output swing	$R_L = 1\text{ k}\Omega$	$(V^+) - 1.9$		$(V^-) + 1.9$	V
I_O	Output current		65	85		mA
	Closed-loop output impedance	$G = +1$, $f = 100\text{ kHz}$		0.1		Ω
POWER DOWN						
	Enable voltage threshold			$(V^-) + 1.45$	$(V^-) + 1.5$	V
	Disable voltage threshold		$(V^-) + 0.8$	$(V^-) + 1.4$		V
I_{SD}	Shutdown current	$V_S = \pm 5\text{ V}$, $V_{Enable} = -5\text{ V}$		0.77		mA
		$V_S = \pm 15\text{ V}$, $V_{Enable} = -15\text{ V}$		1.4		
	Turn-on delay	Time for I_Q to reach 50%		0.12		μs
	Turn-off delay	Time for I_Q to reach 50%		0.03		μs
POWER SUPPLY						
I_Q	Quiescent current			11	13.2	mA

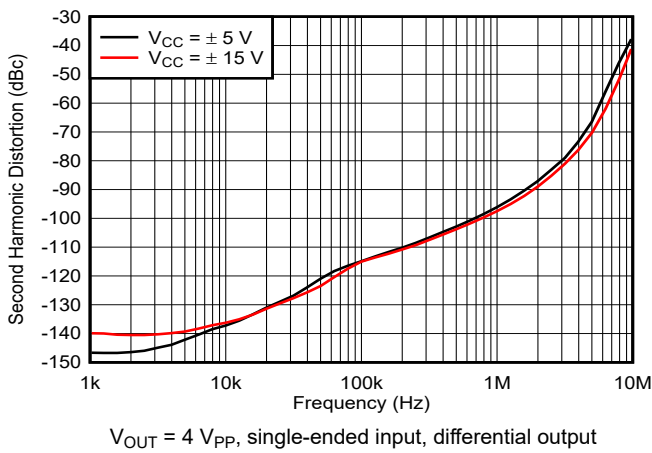
6.6 Typical Characteristics

at $T_A = 25^\circ\text{C}$, $V_S = \pm 15\text{ V}$, $R_F = 348\ \Omega$, $G = +1$, and $R_L = 2\text{ k}\Omega$ (unless otherwise noted)

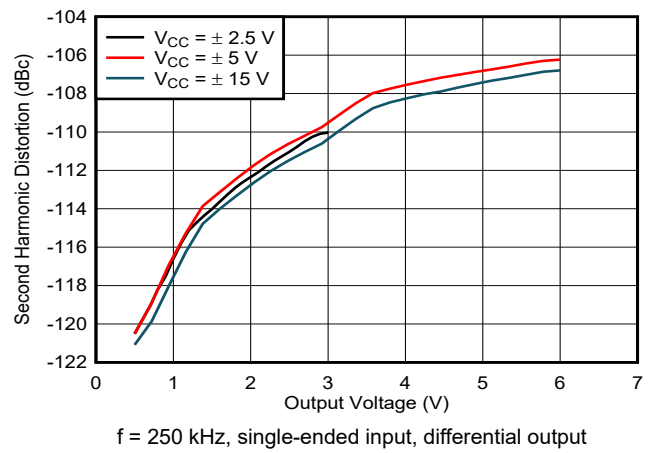


6.6 Typical Characteristics (continued)

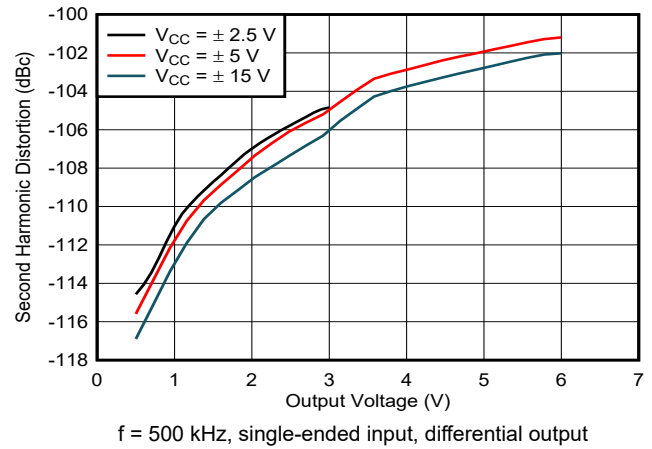
at $T_A = 25^\circ\text{C}$, $V_S = \pm 15\text{ V}$, $R_F = 348\ \Omega$, $G = +1$, and $R_L = 2\text{ k}\Omega$ (unless otherwise noted)



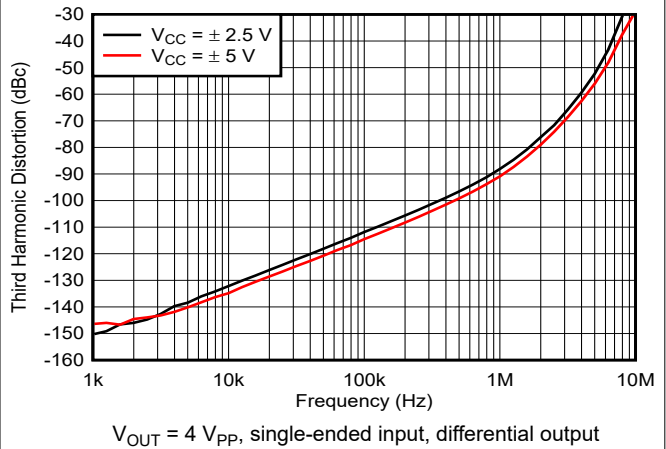
6-7. Second-Harmonic Distortion vs Frequency



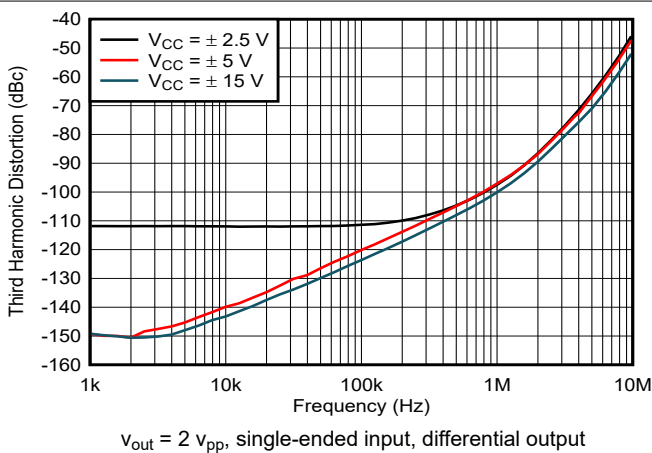
6-8. Second-Harmonic Distortion vs Output Voltage



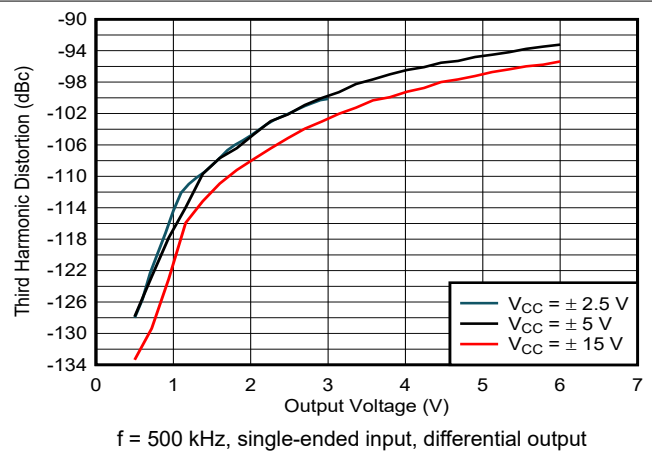
6-9. Second-Harmonic Distortion vs Output Voltage



6-10. Third-Harmonic Distortion vs Frequency



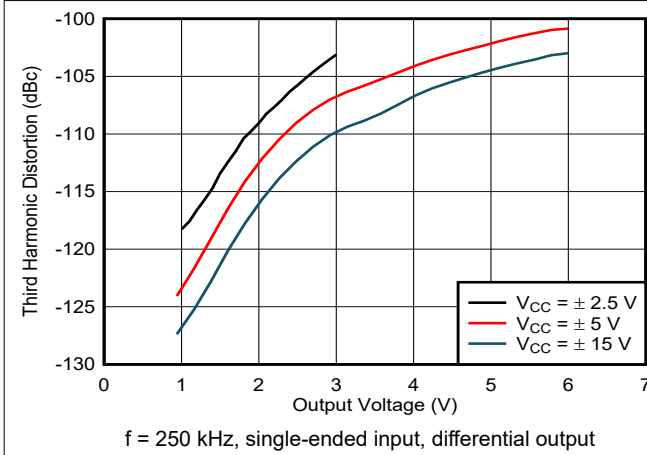
6-11. Third-Harmonic Distortion vs Frequency



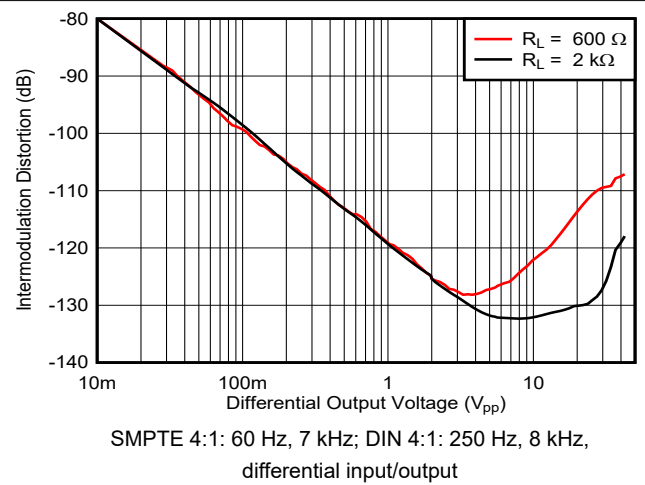
6-12. Third-Harmonic Distortion vs Output Voltage

6.6 Typical Characteristics (continued)

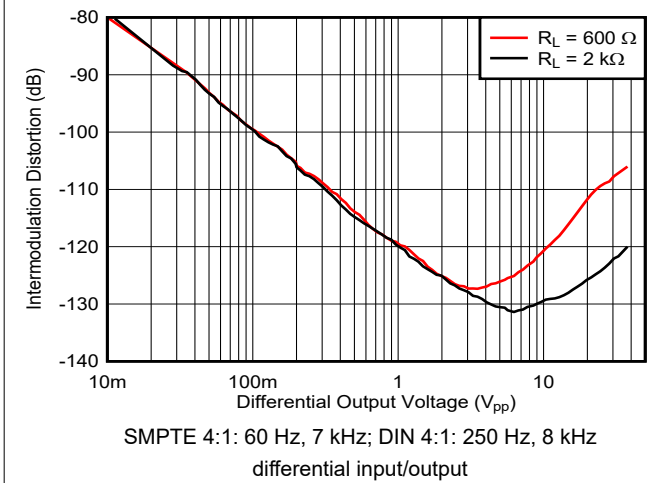
at $T_A = 25^\circ\text{C}$, $V_S = \pm 15\text{ V}$, $R_F = 348\ \Omega$, $G = +1$, and $R_L = 2\text{ k}\Omega$ (unless otherwise noted)



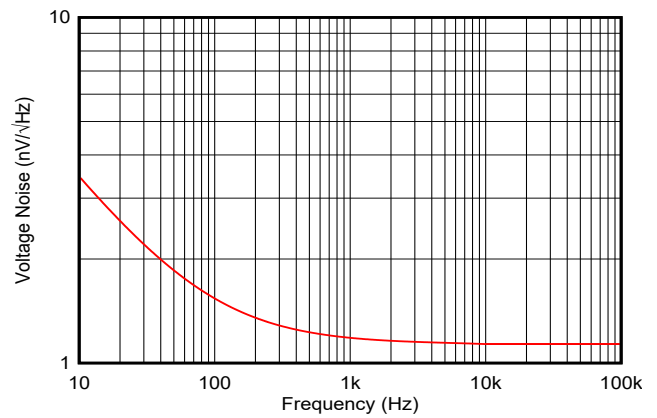
6-13. Third-Harmonic Distortion vs Output Voltage



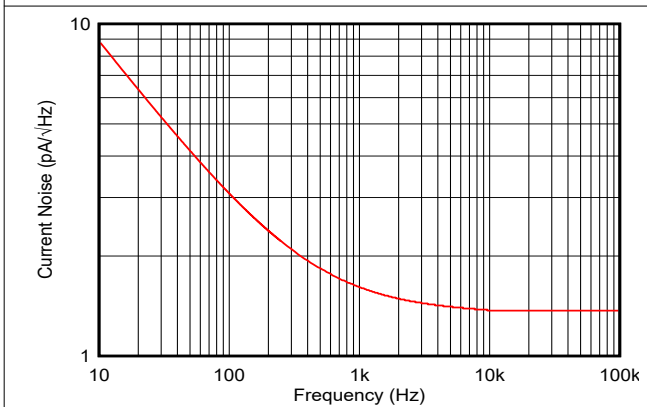
6-14. Intermodulation Distortion vs Output Voltage



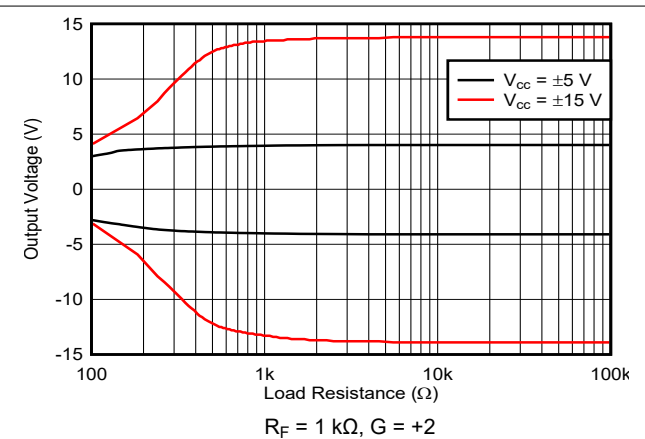
6-15. Intermodulation Distortion vs Output Voltage



6-16. Voltage Noise vs Frequency



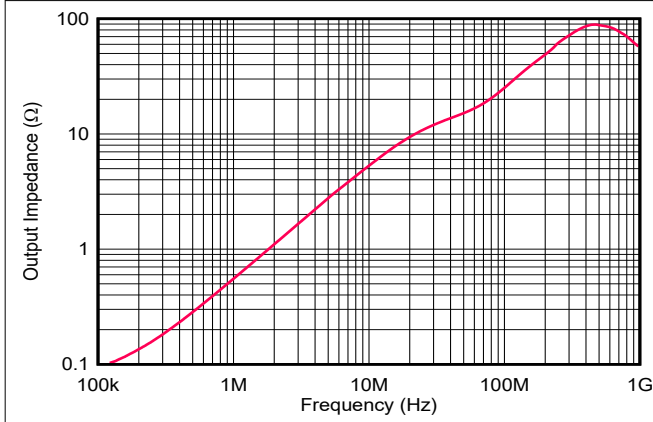
6-17. Current Noise vs Frequency



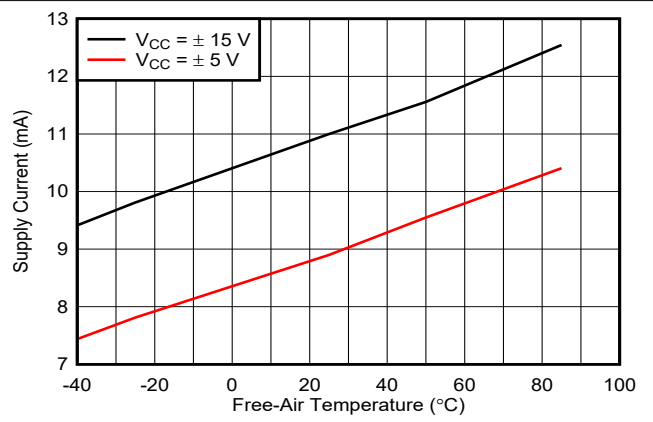
6-18. Output Voltage vs Differential Load Resistance

6.6 Typical Characteristics (continued)

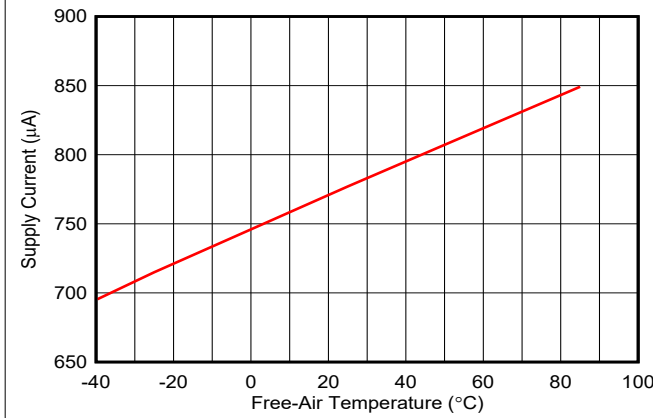
at $T_A = 25^\circ\text{C}$, $V_S = \pm 15\text{ V}$, $R_F = 348\ \Omega$, $G = +1$, and $R_L = 2\ \text{k}\Omega$ (unless otherwise noted)



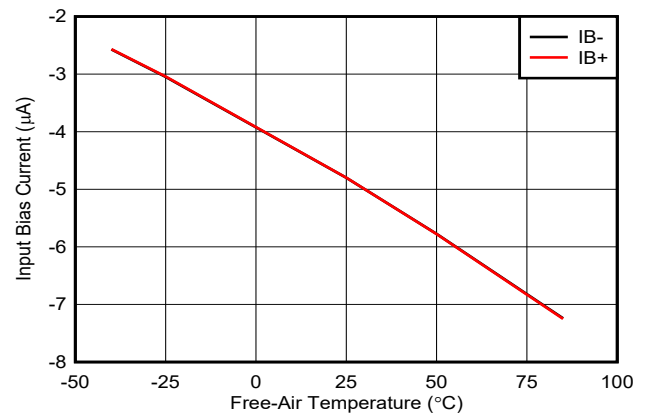
6-19. Output Impedance vs Frequency



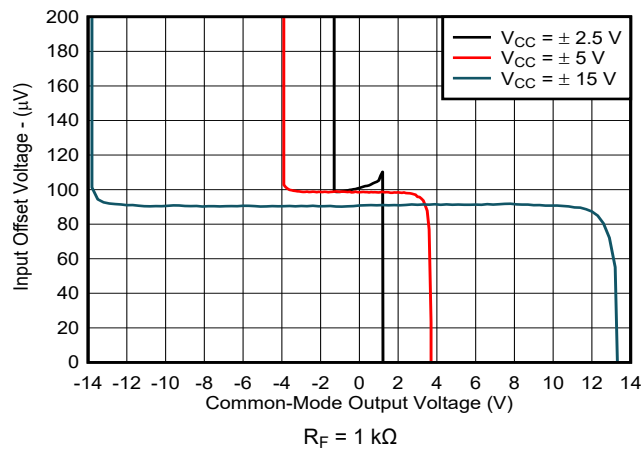
6-20. Supply Current vs Free-Air Temperature



6-21. Supply Current vs Free-Air Temperature (Shutdown State)



6-22. Input Bias Current vs Free-Air Temperature



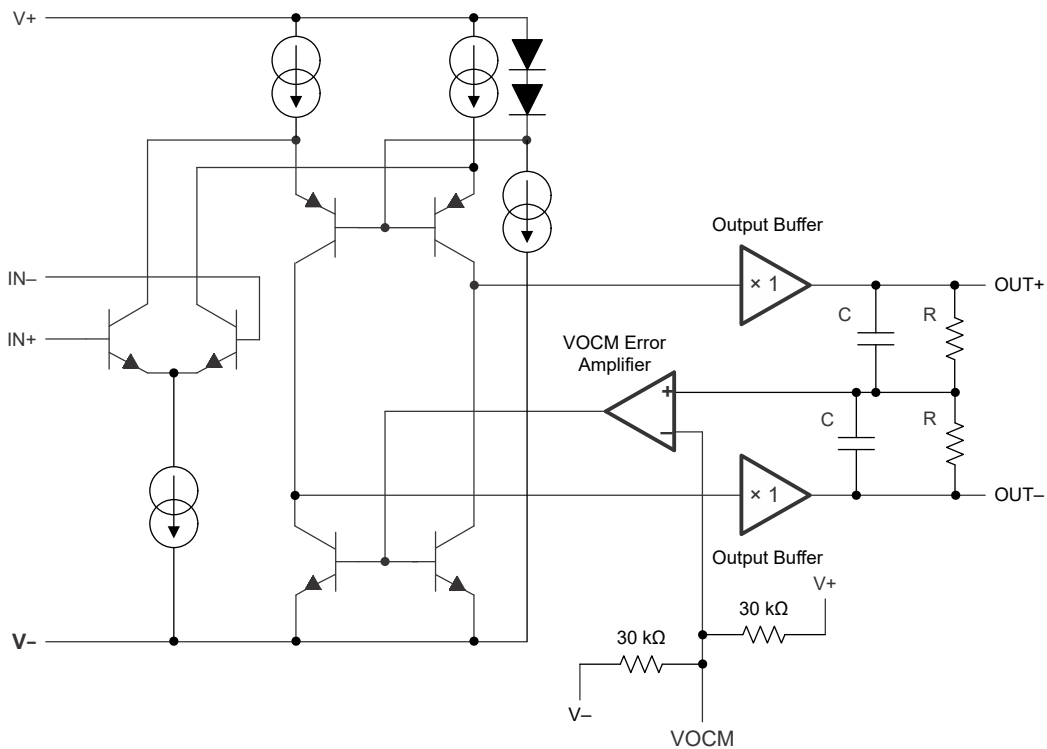
6-23. Input Offset Voltage vs Common-Mode Output Voltage

7 Detailed Description

7.1 Overview

The OPA1633 is a fully differential amplifier (FDA). Differential signal processing offers a number of performance advantages in high-speed analog signal processing systems, including immunity to external common-mode noise, suppression of even-order nonlinearities, and increased dynamic range. FDAs not only serve as the primary means of providing gain to a differential signal chain, but also provide a monolithic solution for converting single-ended signals into differential signals allowing for easy, high-performance processing. For more information on the basic theory of operation for FDAs, refer to the [Fully Differential Amplifiers application note](#).

7.2 Functional Block Diagram



7.3 Feature Description

Figure 7-1 and Figure 7-2 depict the differences between the operation of the OPA1633 in two different modes. FDAs can work with a differential input or be implemented as a single-ended input and differential output.

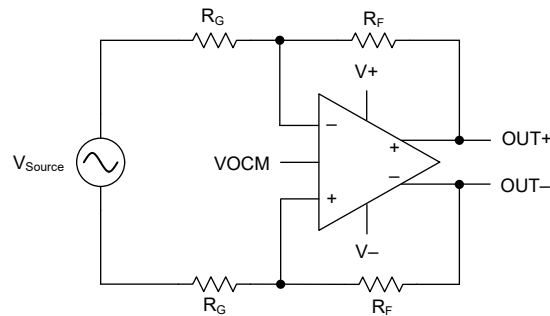


Figure 7-1. Amplifying Differential Input Signals

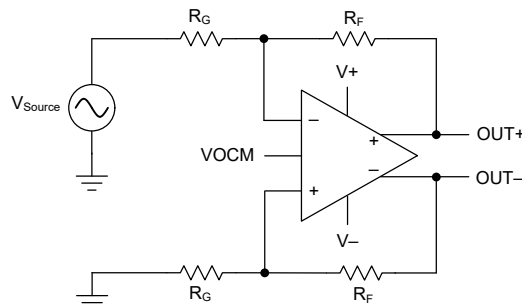


Figure 7-2. Amplifying Single-Ended Input Signals

7.4 Device Functional Modes

7.4.1 Shutdown Function

The shutdown (enable) function of the OPA1633 is referenced to the negative supply of the operational amplifier. A valid logic low ($< 0.8\text{ V}$ above negative supply) applied to the Enable pin (pin 7) disables the amplifier output. Voltages applied to pin 7 that are greater than 2 V above the negative supply place the amplifier output in an active state, and the device is enabled. If pin 7 is left disconnected, an internal pullup resistor enables the device. Turn-on and turn-off times are approximately $2\text{ }\mu\text{s}$ each.

Quiescent current is reduced to approximately 0.77 mA when the amplifier is disabled. When disabled, the output stage is *not* in a high-impedance state. Thus, the shutdown function cannot be used to create a multiplexed switching function in series with multiple amplifiers.

8 Application and Implementation

注

以下のアプリケーション情報は、テキサス・インスツルメンツの製品仕様に含まれるものではなく、テキサス・インスツルメンツではその正確性または完全性を保証いたしません。個々の目的に対する製品の適合性については、お客様の責任で判断していただくことになります。また、お客様は自身の設計実装を検証しテストすることで、システムの機能を確認する必要があります。

8.1 Application Information

8.1.1 Output Common-Mode Voltage

The output common-mode voltage pin sets the dc output voltage of the OPA1633. A voltage applied to the VOVM pin from a low-impedance source can be used to directly set the output common-mode voltage. If left floating, the VOVM pin defaults to the mid-rail voltage, defined as:

$$\frac{(V+) + (V-)}{2} \quad (1)$$

To minimize common-mode noise, connect a 0.1- μ F bypass capacitor to the VOVM pin. Output common-mode voltage causes additional current to flow in the feedback resistor network. This current is supplied by the output stage of the amplifier; therefore, additional power dissipation is created. For commonly used feedback resistance values, this current is easily supplied by the amplifier. The additional internal power dissipation created by this current can be significant in some applications and can dictate use of the HVSSOP (DGN) PowerPAD integrated circuit package to effectively control self-heating.

8.1.1.1 Resistor Matching

Resistor matching is important in FDAs to maintain good output balance. An ideal differential output signal implies the two outputs of the FDA should be exactly equal in amplitude and shifted 180° in phase. Any imbalance in amplitude or phase between the two output signals results in an undesirable common-mode signal at the output. The output balance error is a measure of how well the outputs are balanced and is defined as the ratio of the output common-mode voltage to the output differential signal.

$$\text{Output Balance Error} = \frac{\left(\frac{(V_{\text{OUT}+}) - (V_{\text{OUT}-})}{2} \right)}{(V_{\text{OUT}+}) - (V_{\text{OUT}-})} \quad (2)$$

At low frequencies, resistor mismatch is the primary contributor to output balance errors. Additionally CMRR, PSRR, and HD2 performance diminish if resistor mismatch occurs. Therefore, use 1% tolerance resistors or better to optimize performance. [表 8-1](#) provides the recommended resistor values to use for a particular gain.

表 8-1. Recommended Resistor Values

GAIN (V/V)	R _G (Ω)	R _F (Ω)
1	390	390
2	374	750
5	402	2010
10	402	4020

8.2 Typical Application

Figure 8-1 shows the OPA1633 used as a differential-output driver for the PCM1804 high-performance audio ADC.

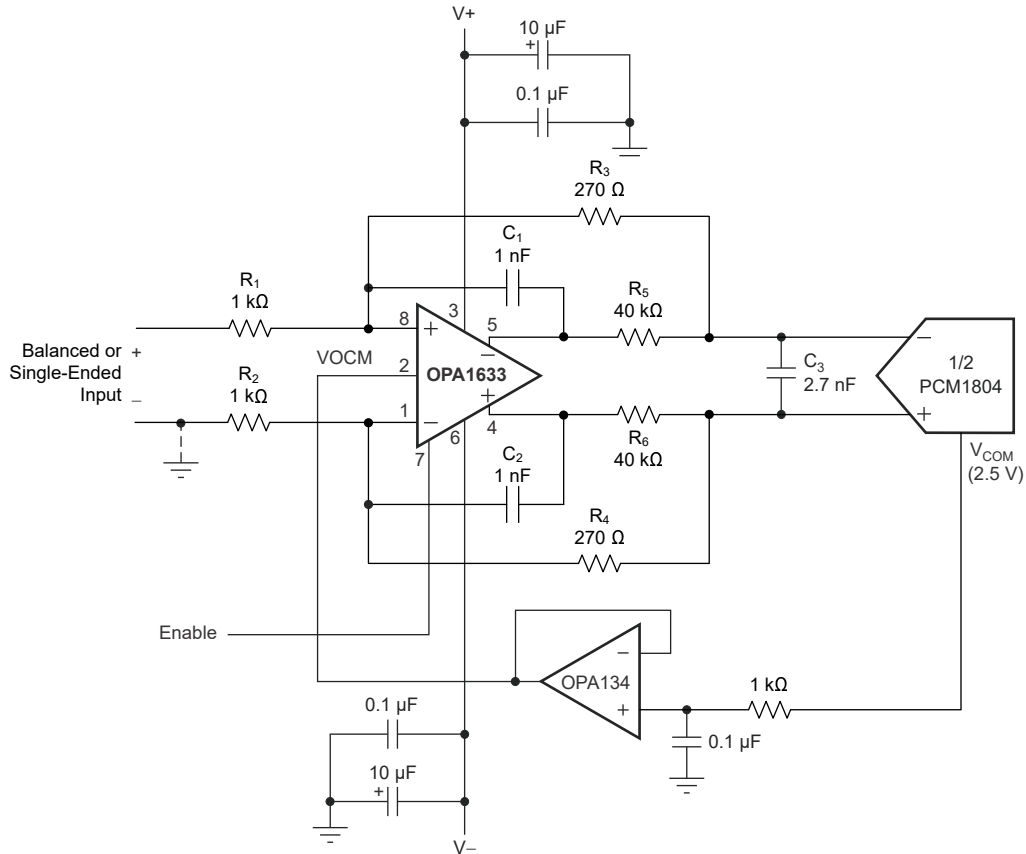


Figure 8-1. ADC Driver for Professional Audio

8.2.1 Design Requirements

Table 8-2 provides example design parameters and values for the typical application design example shown in Figure 7-1.

Table 8-2. Design Parameters

DESIGN PARAMETERS	VALUE
Supply voltage	±2.5 V to ±17.5 V
Amplifier topology	Voltage feedback
Output control	DC-coupled with output common-mode control capability
Filter requirement	500-kHz, multiple-feedback low-pass filter

8.2.2 Detailed Design Procedure

Supply voltages of ± 15 V are commonly used for the OPA1633. The relatively low input voltage swing required by the ADC allows use of lower power-supply voltage, if desired. Power supplies as low as ± 8 V can be used in this application with excellent performance. This lower-voltage operation reduces power dissipation and heat rise. Bypass power supplies with 10- μ F tantalum capacitors in parallel with 0.1- μ F ceramic capacitors to avoid possible oscillations and instability.

The V_{COM} reference voltage output on the [PCM1804](#) ADC provides the proper input common-mode reference voltage (2.5 V). This V_{COM} voltage is buffered with op amp by the [OPA134](#) and drives the output common-mode voltage pin of the OPA1633. This biases the average output voltage of the OPA1633 to 2.5 V.

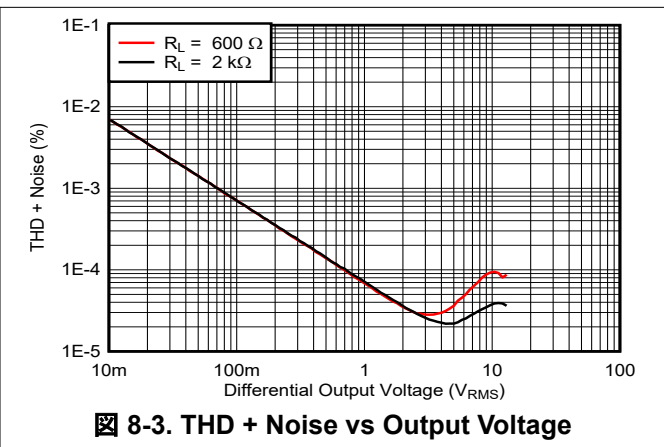
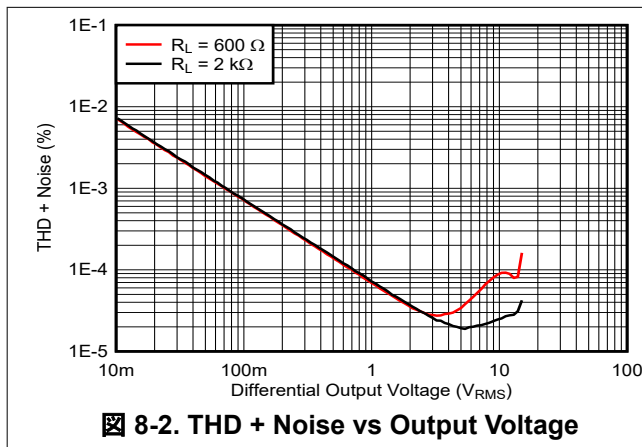
The signal gain of the circuit is generally set to approximately 0.25 to be compatible with commonly used audio line levels. Gain can be adjusted, if necessary, by changing the values of R_1 and R_2 . Keep the feedback resistor values (R_3 and R_4) relatively low, as indicated, for best noise performance.

Resistors R_5 , R_6 , and C_3 provide an input filter and charge glitch reservoir for the ADC. The values shown are generally satisfactory. Some adjustment of the values can help optimize performance with different ADCs.

Make sure to maintain accurate resistor matching on R_1/R_2 and R_3/R_4 to achieve good differential signal balance. Use 1% resistors for highest performance. When connected for single-ended inputs (inverting input grounded, see [Figure 8-1](#)), the source impedance must be low. Differential input sources must have well-balanced or low source impedance.

Choose capacitors C_1 , C_2 , and C_3 carefully for good distortion performance. Polystyrene, polypropylene, NPO ceramic, and mica types are generally excellent. Polyester and high-K ceramic types such as Z5U can create distortion.

8.2.3 Application Curves



8.3 Power Supply Recommendations

The OPA1633 device is designed to operate on power supplies ranging from ± 2.5 V to ± 17.5 V. Single power supplies ranging from 5 V to 35 V can also be used. Use a power-supply accuracy of 5%, or better. When operated on a board with high-speed digital signals, make sure to provide isolation between digital signal noise and the analog input pins. The OPA1633 is connected to power supplies through pin 3 (V_+) and pin 6 (V_-). Decouple each supply pin to GND as close to the device as possible with a low-inductance, surface-mount ceramic capacitor of approximately 10 nF. When vias are used to connect the bypass capacitors to a ground plane, configure the vias for minimal parasitic inductance. One method of reducing via inductance is to use multiple vias. For broadband systems, two capacitors per supply pin are advised.

To avoid undesirable signal transients, do not power on the OPA1633 device with large inputs signals present. Careful planning of system power on sequencing is especially important to avoid damage to ADC inputs when an ADC is used in the application.

8.4 Layout

8.4.1 Layout Guidelines

1. The thermal pad is electrically isolated from the silicon and all leads. Connecting the thermal pad to any potential voltage between the power-supply voltages is acceptable; however, best practice is to tie to ground because ground is generally the largest conductive plane.
2. Prepare the printed circuit board (PCB) with a top-side etch pattern, as shown in [Figure 8-4](#). Use etch for the leads as well as etch for the thermal pad.
3. Place five holes in the area of the thermal pad. Keep these holes 13 mils (0,03302 cm) in diameter. Keep them small so that solder wicking through the holes is not a problem during reflow.
4. Additional vias can be placed anywhere along the thermal plane outside of the thermal pad area. These vias help dissipate the heat generated by the OPA1633 device, and can be larger than the 13-mil diameter vias directly under the thermal pad. The vias can be larger because the vias are not in the thermal pad area to be soldered so that wicking is not a problem.
5. Connect all holes to the internal ground plane.
6. When connecting these holes to the plane, do not use the typical web or spoke via connection methodology. Web connections have a high thermal resistance connection that is useful for slowing the heat transfer during soldering operations. This slow heat transfer makes the soldering of vias that have plane connections easier. In this application, however, low thermal resistance is desired for the most efficient heat transfer. Therefore, make sure the holes under the OPA1633 PowerPAD package connect to the internal plane with a complete connection around the entire circumference of the plated through-hole.
7. The top-side solder mask must leave the package pins and the thermal pad area with the five holes exposed. The bottom-side solder mask must cover the five holes of the thermal pad area. This configuration prevents solder from being pulled away from the thermal pad area during the reflow process.
8. Apply solder paste to the exposed thermal pad area and all of the device pins.

With these preparatory steps in place, the device is simply placed in position and runs through the solder reflow operation as any standard surface-mount component. This process results in a part that is properly installed.

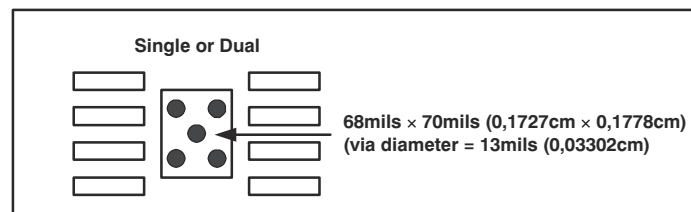


Figure 8-4. PowerPAD Integrated Circuit Package PCB Etch and Via Pattern

8.4.1.1 PowerPAD™ Integrated Circuit Package Design Considerations

The OPA1633 is available in a thermally-enhanced PowerPAD integrated circuit package. This package is constructed using a downset leadframe upon which the die is mounted (see [Figure 8-5\(a\)](#) and [Figure 8-5\(b\)](#)). This arrangement results in the lead frame being exposed as a thermal pad on the underside of the package (see [Figure 8-5\(c\)](#)). Because this thermal pad has direct thermal contact with the die, excellent thermal performance can be achieved by providing a good thermal path away from the thermal pad.

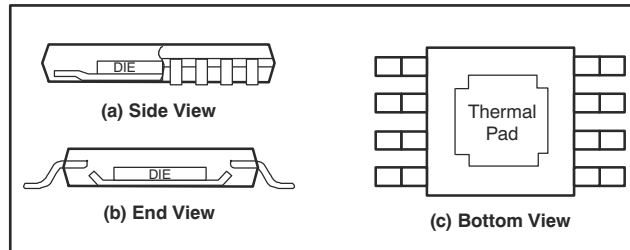


Figure 8-5. Views of the Thermally-Enhanced Package

The PowerPAD integrated circuit package allows for both assembly and thermal management in one manufacturing operation. During the surface-mount solder operation (when the leads are being soldered), the thermal pad must be soldered to a copper area underneath the package. Through the use of thermal paths within this copper area, heat can be conducted away from the package into either a ground plane or other heat-dissipating device. Soldering the thermal pad to the PCB is always required, even with applications that have low power dissipation. The PowerPAD integrated circuit package provides the necessary thermal and mechanical connection between the lead frame die pad and the PCB.

8.4.1.2 Power Dissipation and Thermal Considerations

The OPA1633 does not have thermal shutdown protection. Make sure that the maximum junction temperature is not exceeded. Excessive junction temperature can degrade performance or cause permanent damage. For best performance and reliability, make sure that the junction temperature does not exceed 125°C.

The thermal characteristics of the device are dictated by the package and the circuit board. Maximum power dissipation for a given package can be calculated using the following formula:

$$P_{DMax} = \frac{T_{Max} - T_A}{\theta_{JA}} \quad (3)$$

where:

- P_{DMax} is the maximum power dissipation in the amplifier (W)
- T_{Max} is the absolute maximum junction temperature (°C)
- T_A is the ambient temperature (°C)
- $\theta_{JA} = \theta_{JC} + \theta_{CA}$
- θ_{JC} is the thermal coefficient from the silicon junctions to the case (°C/W)
- θ_{CA} is the thermal coefficient from the case to ambient air (°C/W)

For systems where heat dissipation is more critical, the OPA1633 is offered in an HVSSOP-8 with PowerPAD integrated circuit package. The thermal coefficient for the HVSSOP (DGN) package is substantially improved over the traditional SO package.

8.4.2 Layout Example

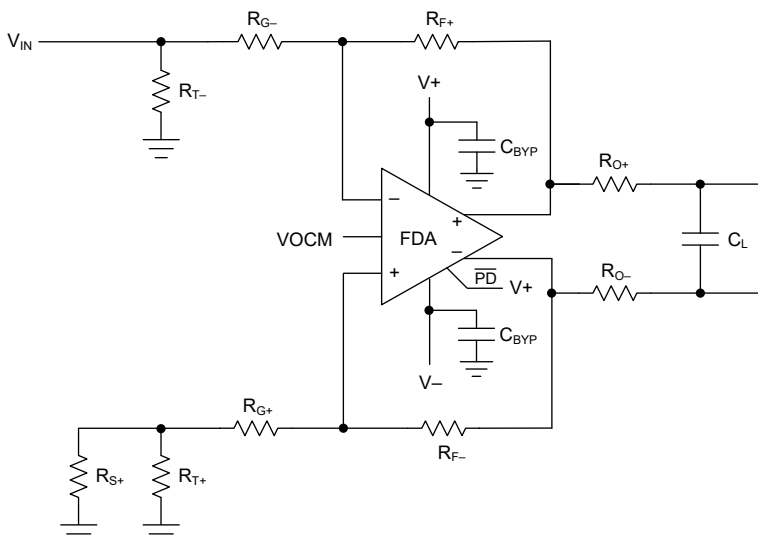


图 8-6. Representative Schematic for Example Layout

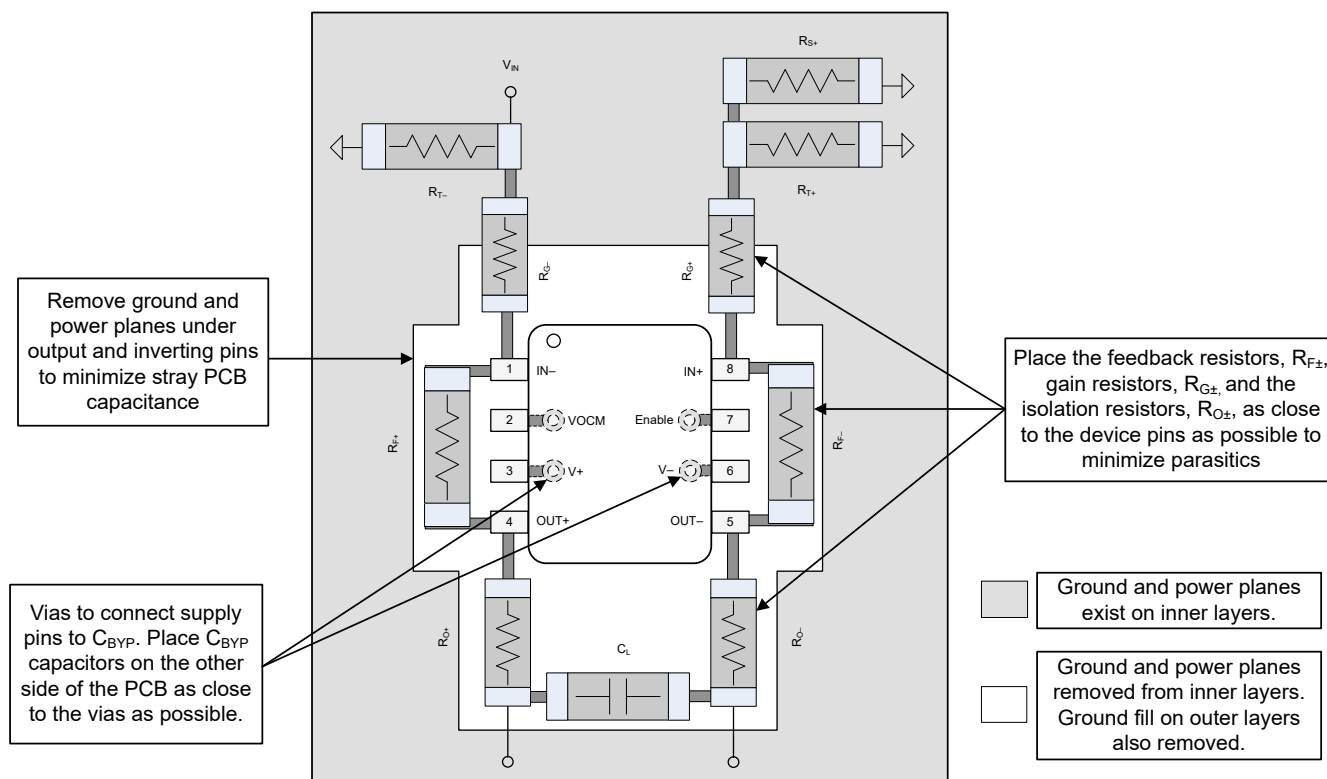


图 8-7. Example Layout

9 Device and Documentation Support

9.1 Documentation Support

9.1.1 Related Documentation

For related documentation, see the following:

- Texas Instruments, [Fully Differential Amplifiers application note](#)
- Texas Instruments, [TI Precision Labs - Fully Differential Amplifiers video series](#)
- Texas Instruments, [Maximizing Signal Chain Distortion Performance Using High Speed Amplifiers application note](#)
- Texas Instruments, [Analog Audio Amplifier Front-End Reference Design With Improved Noise and Distortion](#)
- Texas Instruments, [Public Announcement Audio Reference Design utilizing Best in Class Boost Controller](#)
- Texas Instruments, [Motherboard/controller for the AMC1210 Reference Design](#)
- Texas Instruments, [TPA6120A2 Stereo, 9.0 to 33.0-V, Analog Input Headphone Amplifier With 128-dB Dynamic Range](#)
- Texas Instruments, [OPA2863 Dual, Low-Power, 110-MHz, 12-V, RRIO Voltage Feedback Amplifier](#)
- Texas Instruments, [OPA2834 Ultra-Low Power, 50-MHz Rail-to-Rail Out, Negative Rail In, Voltage-feedback Op Amp](#)

9.2 ドキュメントの更新通知を受け取る方法

ドキュメントの更新についての通知を受け取るには、[ti.com](#) のデバイス製品フォルダを開いてください。「更新の通知を受け取る」をクリックして登録すると、変更されたすべての製品情報に関するダイジェストを毎週受け取れます。変更の詳細については、修正されたドキュメントに含まれている改訂履歴をご覧ください。

9.3 サポート・リソース

[TI E2E™ サポート・フォーラム](#)は、エンジニアが検証済みの回答と設計に関するヒントをエキスパートから迅速かつ直接得ることができる場所です。既存の回答を検索したり、独自の質問をしたりすることで、設計に必要な支援を迅速に得ることができます。

リンクされているコンテンツは、該当する貢献者により、現状のまま提供されるものです。これらは TI の仕様を構成するものではなく、必ずしも TI の見解を反映したものではありません。TI の[使用条件](#)を参照してください。

9.4 Trademarks

PowerPAD™ and TI E2E™ are trademarks of Texas Instruments.

すべての商標は、それぞれの所有者に帰属します。

9.5 静電気放電に関する注意事項



この IC は、ESD によって破損する可能性があります。テキサス・インスツルメンツは、IC を取り扱う際には常に適切な注意を払うことを推奨します。正しい取り扱いおよび設置手順に従わない場合、デバイスを破損するおそれがあります。

ESD による破損は、わずかな性能低下からデバイスの完全な故障まで多岐にわたります。精密な IC の場合、パラメータがわずかに変化するだけで公表されている仕様から外れる可能性があるため、破損が発生しやすくなっています。

9.6 用語集

[テキサス・インスツルメンツ用語集](#) この用語集には、用語や略語の一覧および定義が記載されています。

10 Mechanical, Packaging, and Orderable Information

The following pages include mechanical, packaging, and orderable information. This information is the most current data available for the designated devices. This data is subject to change without notice and revision of this document. For browser-based versions of this data sheet, refer to the left-hand navigation.

PACKAGING INFORMATION

Orderable Device	Status (1)	Package Type	Package Drawing	Pins	Package Qty	Eco Plan (2)	Lead finish/ Ball material (6)	MSL Peak Temp (3)	Op Temp (°C)	Device Marking (4/5)	Samples
OPA1633DGNR	ACTIVE	HVSSOP	DGN	8	2500	RoHS & Green	NIPDAU	Level-2-260C-1 YEAR	-40 to 85	2USJ	Samples
OPA1633DR	ACTIVE	SOIC	D	8	2500	RoHS & Green	NIPDAU	Level-1-260C-UNLIM	-40 to 85	O1633	Samples

(1) The marketing status values are defined as follows:

ACTIVE: Product device recommended for new designs.

LIFEBUY: TI has announced that the device will be discontinued, and a lifetime-buy period is in effect.

NRND: Not recommended for new designs. Device is in production to support existing customers, but TI does not recommend using this part in a new design.

PREVIEW: Device has been announced but is not in production. Samples may or may not be available.

OBSOLETE: TI has discontinued the production of the device.

(2) **RoHS:** TI defines "RoHS" to mean semiconductor products that are compliant with the current EU RoHS requirements for all 10 RoHS substances, including the requirement that RoHS substance do not exceed 0.1% by weight in homogeneous materials. Where designed to be soldered at high temperatures, "RoHS" products are suitable for use in specified lead-free processes. TI may reference these types of products as "Pb-Free".

RoHS Exempt: TI defines "RoHS Exempt" to mean products that contain lead but are compliant with EU RoHS pursuant to a specific EU RoHS exemption.

Green: TI defines "Green" to mean the content of Chlorine (Cl) and Bromine (Br) based flame retardants meet JS709B low halogen requirements of <=1000ppm threshold. Antimony trioxide based flame retardants must also meet the <=1000ppm threshold requirement.

(3) MSL, Peak Temp. - The Moisture Sensitivity Level rating according to the JEDEC industry standard classifications, and peak solder temperature.

(4) There may be additional marking, which relates to the logo, the lot trace code information, or the environmental category on the device.

(5) Multiple Device Markings will be inside parentheses. Only one Device Marking contained in parentheses and separated by a "~" will appear on a device. If a line is indented then it is a continuation of the previous line and the two combined represent the entire Device Marking for that device.

(6) Lead finish/Ball material - Orderable Devices may have multiple material finish options. Finish options are separated by a vertical ruled line. Lead finish/Ball material values may wrap to two lines if the finish value exceeds the maximum column width.

Important Information and Disclaimer:The information provided on this page represents TI's knowledge and belief as of the date that it is provided. TI bases its knowledge and belief on information provided by third parties, and makes no representation or warranty as to the accuracy of such information. Efforts are underway to better integrate information from third parties. TI has taken and continues to take reasonable steps to provide representative and accurate information but may not have conducted destructive testing or chemical analysis on incoming materials and chemicals. TI and TI suppliers consider certain information to be proprietary, and thus CAS numbers and other limited information may not be available for release.

In no event shall TI's liability arising out of such information exceed the total purchase price of the TI part(s) at issue in this document sold by TI to Customer on an annual basis.

TAPE AND REEL INFORMATION

QUADRANT ASSIGNMENTS FOR PIN 1 ORIENTATION IN TAPE


*All dimensions are nominal

Device	Package Type	Package Drawing	Pins	SPQ	Reel Diameter (mm)	Reel Width W1 (mm)	A0 (mm)	B0 (mm)	K0 (mm)	P1 (mm)	W (mm)	Pin1 Quadrant
OPA1633DGNR	HVSSOP	DGN	8	2500	330.0	12.4	5.3	3.4	1.4	8.0	12.0	Q1
OPA1633DR	SOIC	D	8	2500	330.0	12.4	6.4	5.2	2.1	8.0	12.0	Q1

TAPE AND REEL BOX DIMENSIONS


*All dimensions are nominal

Device	Package Type	Package Drawing	Pins	SPQ	Length (mm)	Width (mm)	Height (mm)
OPA1633DGNR	HVSSOP	DGN	8	2500	356.0	356.0	35.0
OPA1633DR	SOIC	D	8	2500	356.0	356.0	35.0

GENERIC PACKAGE VIEW

DGN 8

PowerPAD™ HVSSOP - 1.1 mm max height

3 x 3, 0.65 mm pitch

SMALL OUTLINE PACKAGE

This image is a representation of the package family, actual package may vary.
Refer to the product data sheet for package details.



4225482/B



4229130/B 05/2024

NOTES:

PowerPAD is a trademark of Texas Instruments.

1. All linear dimensions are in millimeters. Any dimensions in parenthesis are for reference only. Dimensioning and tolerancing per ASME Y14.5M.
2. This drawing is subject to change without notice.
3. This dimension does not include mold flash, protrusions, or gate burrs. Mold flash, protrusions, or gate burrs shall not exceed 0.15 mm per side.
4. This dimension does not include interlead flash. Interlead flash shall not exceed 0.25 mm per side.
5. Reference JEDEC registration MO-187.
6. Features may differ or may not be present.

EXAMPLE STENCIL DESIGN

DGN0008H

PowerPAD™ VSSOP - 1.1 mm max height

SMALL OUTLINE PACKAGE



SOLDER PASTE EXAMPLE
EXPOSED PAD 9:
100% PRINTED SOLDER COVERAGE BY AREA
SCALE: 15X

STENCIL THICKNESS	SOLDER STENCIL OPENING
0.1	1.91 X 2.01
0.125	1.71 X 1.80 (SHOWN)
0.15	1.56 X 1.64
0.175	1.45 X 1.52

4229130/B 05/2024

NOTES: (continued)

11. Laser cutting apertures with trapezoidal walls and rounded corners may offer better paste release. IPC-7525 may have alternate design recommendations.
12. Board assembly site may have different recommendations for stencil design.



D0008A

PACKAGE OUTLINE

SOIC - 1.75 mm max height

SMALL OUTLINE INTEGRATED CIRCUIT



4214825/C 02/2019

NOTES:

- Linear dimensions are in inches [millimeters]. Dimensions in parenthesis are for reference only. Controlling dimensions are in inches. Dimensioning and tolerancing per ASME Y14.5M.
- This drawing is subject to change without notice.
- This dimension does not include mold flash, protrusions, or gate burrs. Mold flash, protrusions, or gate burrs shall not exceed $.006$ [0.15] per side.
- This dimension does not include interlead flash.
- Reference JEDEC registration MS-012, variation AA.

EXAMPLE BOARD LAYOUT

D0008A

SOIC - 1.75 mm max height

SMALL OUTLINE INTEGRATED CIRCUIT



LAND PATTERN EXAMPLE
 EXPOSED METAL SHOWN
 SCALE:8X



SOLDER MASK DETAILS

4214825/C 02/2019

NOTES: (continued)

- 6. Publication IPC-7351 may have alternate designs.
- 7. Solder mask tolerances between and around signal pads can vary based on board fabrication site.

EXAMPLE STENCIL DESIGN

D0008A

SOIC - 1.75 mm max height

SMALL OUTLINE INTEGRATED CIRCUIT



SOLDER PASTE EXAMPLE
BASED ON .005 INCH [0.125 MM] THICK STENCIL
SCALE:8X

4214825/C 02/2019

NOTES: (continued)

8. Laser cutting apertures with trapezoidal walls and rounded corners may offer better paste release. IPC-7525 may have alternate design recommendations.
9. Board assembly site may have different recommendations for stencil design.

重要なお知らせと免責事項

TI は、技術データと信頼性データ(データシートを含みます)、設計リソース(リファレンス・デザインを含みます)、アプリケーションや設計に関する各種アドバイス、Web ツール、安全性情報、その他のリソースを、欠陥が存在する可能性のある「現状のまま」提供しており、商品性および特定目的に対する適合性の黙示保証、第三者の知的財産権の非侵害保証を含むいかなる保証も、明示的または黙示的にかかわらず拒否します。

これらのリソースは、TI 製品を使用する設計の経験を積んだ開発者への提供を意図したものです。(1) お客様のアプリケーションに適した TI 製品の選定、(2) お客様のアプリケーションの設計、検証、試験、(3) お客様のアプリケーションに該当する各種規格や、その他のあらゆる安全性、セキュリティ、規制、または他の要件への確実な適合に関する責任を、お客様のみが単独で負うものとし、

上記の各種リソースは、予告なく変更される可能性があります。これらのリソースは、リソースで説明されている TI 製品を使用するアプリケーションの開発の目的でのみ、TI はその使用をお客様に許諾します。これらのリソースに関して、他の目的で複製することや掲載することは禁止されています。TI や第三者の知的財産権のライセンスが付与されている訳ではありません。お客様は、これらのリソースを自身で使用した結果発生するあらゆる申し立て、損害、費用、損失、責任について、TI およびその代理人を完全に補償するものとし、TI は一切の責任を拒否します。

TI の製品は、[TI の販売条件](#)、または [ti.com](#) やかかる TI 製品の関連資料などのいずれかを通じて提供する適用可能な条項の下で提供されています。TI がこれらのリソースを提供することは、適用される TI の保証または他の保証の放棄の拡大や変更を意味するものではありません。

お客様がいかなる追加条項または代替条項を提案した場合でも、TI はそれらに異議を唱え、拒否します。

郵送先住所 : Texas Instruments, Post Office Box 655303, Dallas, Texas 75265
Copyright © 2024, Texas Instruments Incorporated