

LMG3100R017 (126A)、LMG3100R044 (46A) 100V、ドライバ内蔵 GaN FET

1 特長

- 内蔵の 1.7mΩ (LMG3100R017) または 4.4mΩ (LMG3100R044) GaN FET およびドライバ
- 電圧定格: 連続 100V、パルス 120V
- ハイサイドのレベルシフトとブートストラップを内蔵
- 2つの LMG3100 でハーフブリッジを形成
 - 外付けのレベルシフタが不要
- 5V の外部バイアス電源
- 3.3V および 5V の入力ロジックレベルをサポート
- 低リンギングで、高スループートのスイッチング
- ゲートドライバは最高 10MHz のスイッチングが可能
- 内部的なブートストラップ電源電圧クランピングにより、GaN FET オーバードライブを防止
- 電源レールの低電圧誤動作防止保護
- 低消費電力
- 簡単に PCB をレイアウトするよう最適化されたパッケージ
- 上面冷却用の露出上面 QFN パッケージ
- 底面に底面冷却用の大型露出パッド

2 アプリケーション

- 降圧、昇圧、昇降圧コンバータ
- LLC コンバータ
- 太陽光インバータ
- テレコムとサーバー電源
- モータードライブ
- 電動工具
- Class-D オーディオ アンプ

3 概要

LMG3100 デバイスはドライバを内蔵した、100V 連続、120V パルス、窒化ガリウム (GaN) FET です。このデバイスには、2つの RDS(on) と最大電流バリエーション (126A/1.7mΩ (LMG3100R017) および 46A/4.4mΩ (LMG3100R044)) があります。このデバイスは、高周波 GaN FET ドライバによって駆動される 100V の GaN FET で構成されています。LMG3100 には、ハイサイドのレベルシフタとブートストラップ回路が組み込まれているので、追加のレベルシフタなしで、2つの LMG3100 デバイスを使用してハーフブリッジを形成できます。

GaN FET は逆方向回復時間がゼロで、入力容量 C_{iss} および出力容量 C_{oss} が非常に小さいため、電力変換において大きな利点があります。ドライバおよび GaN FET は、ボンドワイヤを一切使用しないパッケージプラットフォームに取り付けられ、パッケージの寄生要素は最小限に抑えられます。LMG3100 デバイスは、6.5mm × 4mm × 0.89mm の鉛フリーパッケージで供給され、簡単に PCB へ取り付けできます。

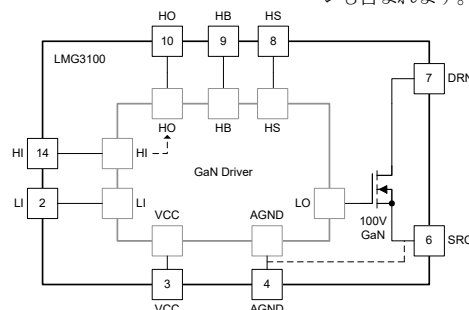
TTL ロジック互換の入力は、VCC 電圧にかかわらず 3.3V および 5V のロジックレベルをサポートできます。独自のブートストラップ電圧クランピング技法により、エンハンスメントモード GaN FET のゲート電圧が安全な動作範囲内であることが保証されます。

このデバイスは、ディスクリート GaN FET に対してより使いやすいインターフェイスを提供し、その利点を拡大します。小さなフォームファクタで高周波数、高効率の動作が必要なアプリケーションに理想的なソリューションです。

パッケージ情報

部品番号	パッケージ ⁽¹⁾	パッケージサイズ ⁽²⁾
LMG3100R017	VBE (VQFN, 15)	6.50mm × 4.0mm
LMG3100R044		

- (1) 供給されているすべてのパッケージについては、[セクション 11](#) を参照してください。
- (2) パッケージサイズ (長さ × 幅) は公称値であり、該当する場合はピンも含まれます。



概略ブロック図



Table of Contents

1 特長	1	7.3 Feature Description.....	14
2 アプリケーション	1	7.4 Device Functional Modes.....	16
3 概要	1	8 Application and Implementation	16
4 Pin Configuration and Functions	3	8.1 Application Information.....	16
5 Specifications	4	8.2 Typical Application.....	16
5.1 Absolute Maximum Ratings.....	4	8.3 Power Supply Recommendations.....	21
5.2 ESD Ratings.....	4	8.4 Layout.....	21
5.3 Recommended Operating Conditions.....	4	9 Device and Documentation Support	24
5.4 Thermal Information	5	9.1 Documentation Support.....	24
5.5 Thermal Information	5	9.2 ドキュメントの更新通知を受け取る方法.....	24
5.6 Electrical Characteristics.....	5	9.3 サポート・リソース.....	24
5.7 Typical Characteristics.....	8	9.4 Trademarks.....	24
6 Parameter Measurement Information	11	9.5 静電気放電に関する注意事項.....	24
6.1 Propagation Delay and Mismatch Measurement.....	11	9.6 用語集.....	24
7 Detailed Description	13	10 Revision History	24
7.1 Overview.....	13	11 Mechanical, Packaging, and Orderable Information	25
7.2 Functional Block Diagram.....	13		

4 Pin Configuration and Functions

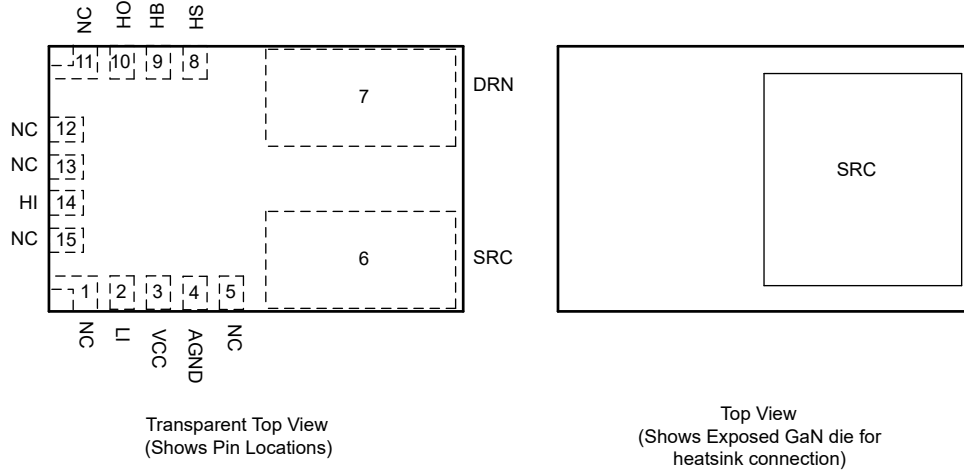


图 4-1. VBE Package, 15-Pin VQFN (Top View)

表 4-1. Pin Functions

PIN		I/O ⁽¹⁾	DESCRIPTION
NAME	NO.		
NC	1, 5, 11–13, 15	—	Not connected internally. Leave floating.
LI	2	I	Low-side gate driver control input.
VCC	3	P	5V device power supply.
AGND	4	G	Analog ground.
SRC	6	P	Source of GaN FET. Internally connected to AGND.
DRN	7	P	Drain of GaN FET.
HS	8	P	Bootstrap voltage ground reference.
HB	9	P	High-side gate driver bootstrap rail with HS as the ground reference.
HO	10	O	Level shifted high-side gate driver control output.
HI	14	I	High-side gate driver control input.

(1) I = Input, O = Output, G = Ground, P = Power

5 Specifications

5.1 Absolute Maximum Ratings

See⁽¹⁾

	MIN	MAX	UNIT
DRN to SRC		100	V
DRN to SRC (up to 10,000 5ms pulses at 150°C)		120	V
HB to AGND	-0.3	100	V
HS to AGND		93	V
HI to AGND	-0.3	6	V
LI to AGND	-0.3	6	V
HI to AGND, 10ns transients, < 500 khz frequency	-1.5	6	V
LI to AGND, 10ns transients < 500 khz frequency	-1.5	6	V
VCC to AGND	-0.3	6	V
HB to HS	-0.3	6	V
HB to VCC	0	93	V
IOUT, DRN/SRC pins (Continuous), T _J = 125°C, LMG3100R017		126	A
IOUT, DRN/SRC pins (Pulsed, 300 μs), T _J = 25°C, LMG3100R017		350	A
IOUT, DRN/SRC pins (Continuous), T _J = 125°C, LMG3100R044		46	A
IOUT, DRN/SRC pins (Pulsed, 300 μs), T _J = 25°C, LMG3100R044		125	A
Junction Temperature, T _J	-40	175	°C
Storage Temperature, T _{stg}	-40	150	°C

- (1) Operation outside the Absolute Maximum Ratings may cause permanent device damage. Absolute Maximum Ratings do not imply functional operation of the device at these or any other conditions beyond those listed under Recommended Operating Conditions. If used outside the Recommended Operating Conditions but within the Absolute Maximum Ratings, the device may not be fully functional, and this may affect device reliability, functionality, performance, and shorten the device lifetime.

5.2 ESD Ratings

		VALUE	UNIT	
V _(ESD)	Electrostatic Discharge	Human-body model (HBM), per ANSI/ESDA/JEDEC JS-001 ⁽¹⁾	±500	V
		Charged-device model (CDM), per JEDEC specification JESD22-C101 ⁽²⁾	±500	V

- (1) JEDEC document JEP155 states that 500-V HBM allows safe manufacturing with a standard ESD control process.
 (2) JEDEC document JEP157 states that 250-V CDM allows safe manufacturing with a standard ESD control process.

5.3 Recommended Operating Conditions

Unless otherwise noted, voltages are with respect to AGND

	MIN	NOM	MAX	UNIT
VCC	4.75	5	5.25	V
LI or HI Input	0		5.5	V
HB	V _{HS} + 4		V _{HS} + 5.25	V
HS, SW Slew rate ⁽¹⁾			50	V/ns

- (1) Determined through design and characterization. Not tested in production.

5.4 Thermal Information

THERMAL METRIC ⁽¹⁾		LMG3100R017	
		QFN	UNIT
		15 PINS	
R _{θJA}	Junction-to-ambient thermal resistance	29.3	°C/W
R _{θJC(top)}	Junction-to-case (top) thermal resistance	0.39	
R _{θJB}	Junction-to-board thermal resistance	5.4	°C/W
Ψ _{JT}	Junction-to-top characterization parameter	0.5	°C/W
Ψ _{JB}	Junction-to-board characterization parameter	5.4	°C/W
R _{θJC(bot)}	Junction-to-case (bottom) thermal resistance	3.1	°C/W

(1) For more information about traditional and new thermal metrics, see the *IC Package Thermal Metrics* application report, [SPRA953](#).

5.5 Thermal Information

THERMAL METRIC ⁽¹⁾		LMG3100R044	
		QFN	UNIT
		15 PINS	
R _{θJA}	Junction-to-ambient thermal resistance		°C/W
R _{θJC(top)}	Junction-to-case (top) thermal resistance		
R _{θJB}	Junction-to-board thermal resistance		°C/W
Ψ _{JT}	Junction-to-top characterization parameter		°C/W
Ψ _{JB}	Junction-to-board characterization parameter		°C/W
R _{θJC(bot)}	Junction-to-case (bottom) thermal resistance		°C/W

(1) For more information about traditional and new thermal metrics, see the *IC Package Thermal Metrics* application report, [SPRA953](#).

5.6 Electrical Characteristics

Unless otherwise noted, voltages are with respect to AGND; -40°C ≤ T_J ≤ 125°C ⁽¹⁾

PARAMETER		TEST CONDITIONS	MIN	TYP	MAX	UNIT
POWER STAGE R017						
R _{DS(ON)}	GaN FET on-resistance	LI=VCC=5V, HI=0V, I(DRN-SRC)=45A, T _J = 25°C		1.7	2.2	mΩ
V _{SD}	GaN 3rd quadrant conduction drop	I _{SD} = 500 mA, V _{VCC} = 5 V, HI = LI = 0V		1.5		V
I _{L-DRN-SRC}	Leakage from DRN to SRC when the GaN FET is off	DRN = 80V, HI = LI = 0V, V _{VCC} = 5V, T _J =25°C		12	200	μA
C _{OSS}	Output Capacitance of GaN FET	V _{DS} =50V, V _{GS} = 0V (HI = LI = 0V)		1035	1423	pF
C _{OSS(ER)}	Output Capacitance of GaN FET - Energy Related	V _{DS} =0 to 50V, V _{GS} = 0V (HI = LI = 0V)		1223		pF
C _{OSS(TR)}	Output Capacitance of GaN FET - Time Related	V _{DS} =0 to 50V, V _{GS} = 0V (HI = LI = 0V)		1547		pF
Q _G	Total Gate Charge of GaN FET	V _{DS} =50V, I _D = 45A, V _{GS} = 5V		20	29	nC
Q _{GD}	Gate to Drain Charge of GaN FET	V _{DS} =50V, I _D = 45A		2		nC
Q _{GS}	Gate to Source Charge of GaN FET	V _{DS} =50V, I _D = 45A		6.7		nC
Q _{OSS}	Output Charge	V _{DS} =50V, V _{GS} = 0 V		77	104	nC
Q _{RR}	Source to Drain Reverse Recovery Charge	Not including internal driver bootstrap diode		0		nC
t _{HIPLH}	Propagation delay: HI Rising ⁽²⁾	LI=0V, VCC=5V, HB-HS=5V, VIN=48V	38	70	120	ns
t _{HIPLH}	Propagation delay: HI Falling ⁽²⁾	LI=0V, VCC=5V, HB-HS=5V, VIN=48V	38	70	120	ns
t _{LIPHL}	Propagation delay: LI Rising ⁽²⁾	HI=0V, VCC=5V, HB-HS=5V, VIN=48V	19	40	65	ns
t _{LIPHL}	Propagation delay: LI Falling ⁽²⁾	HI=0V, VCC=5V, HB-HS=5V, VIN=48V	19	40	65	ns
t _{MON}	Delay Matching: LI high & HI low ⁽²⁾		4	30	55	ns
t _{MOFF}	Delay Matching: LI low & HI high ⁽²⁾		4	30	55	ns
t _{PW}	Minimum Input Pulse Width that Changes the Output			10		ns

5.6 Electrical Characteristics (続き)

Unless otherwise noted, voltages are with respect to AGND; $-40^{\circ}\text{C} \leq T_J \leq 125^{\circ}\text{C}$ ⁽¹⁾

PARAMETER		TEST CONDITIONS	MIN	TYP	MAX	UNIT
POWER STAGE R044						
$R_{DS(ON)}$	GaN FET on-resistance	$LI=V_{CC}=5V, HI=0V, I(DRN-SRC)=16A, T_J = 25^{\circ}\text{C}$		4.4	5.7	mΩ
V_{SD}	GaN 3rd quadrant conduction drop	$I_{SD} = 500\text{ mA}, V_{VCC} = 5\text{ V}, HI = LI = 0V$		1.5		V
$I_{L-DRN-SRC}$	Leakage from DRN to SRC when the GaN FET is off	$DRN = 80V, HI = LI = 0V, V_{VCC} = 5V, T_J=25^{\circ}\text{C}$		4	80	μA
C_{OSS}	Output Capacitance of GaN FET	$V_{DS}=50V, V_{GS}= 0V (HI = LI = 0V)$		364	478	pF
$C_{OSS(ER)}$	Output Capacitance of GaN FET - Energy Related	$V_{DS}=0\text{ to }50V, V_{GS}= 0V (HI = LI = 0V)$		441		pF
$C_{OSS(TR)}$	Output Capacitance of GaN FET - Time Related	$V_{DS}=0\text{ to }50V, V_{GS}= 0V (HI = LI = 0V)$		548		pF
Q_G	Total Gate Charge of GaN FET	$V_{DS}=50V, I_D = 16A, V_{GS} = 5V$		7.3	9.3	nC
Q_{GD}	Gate to Drain Charge of GaN FET	$V_{DS}=50V, I_D = 16A$		0.7		nC
Q_{GS}	Gate to Source Charge of GaN FET	$V_{DS}=50V, I_D = 16A$		2.8		nC
Q_{OSS}	Output Charge	$V_{DS}=50V, I_D = 16A$		27	35	nC
Q_{RR}	Source to Drain Reverse Recovery Charge	Not including internal driver bootstrap diode		0		nC
t_{HIPLH}	Propagation delay: HI Rising ⁽²⁾	$LI=0V, V_{CC}=5V, HB-HS=5V, VIN=48V$	40	66	100	ns
t_{HIPHL}	Propagation delay: HI Falling ⁽²⁾	$LI=0V, V_{CC}=5V, HB-HS=5V, VIN=48V$	40	66	100	ns
t_{LPLH}	Propagation delay: LI Rising ⁽²⁾	$HI=0V, V_{CC}=5V, HB-HS=5V, VIN=48V$	20	36	55	ns
t_{LPHL}	Propagation delay: LI Falling ⁽²⁾	$HI=0V, V_{CC}=5V, HB-HS=5V, VIN=48V$	20	36	55	ns
t_{MON}	Delay Matching: LI high & HI low ⁽²⁾		10	30	50	ns
t_{MOFF}	Delay Matching: LI low & HI high ⁽²⁾		10	30	50	ns
t_{PW}	Minimum Input Pulse Width that Changes the Output			10		ns
INPUT PINS HI, LI						
V_{IH}	High-Level Input Voltage Threshold	Rising Edge	1.87	2.06	2.22	V
V_{IL}	Low-Level Input Voltage Threshold	Falling Edge	1.48	1.66	1.76	V
V_{HYS}	Hysteresis between rising and falling threshold			350		mV
R_i	Input pull down resistance		100	200	300	kΩ
OUTPUT PIN HO						
V_{OL}	Low level output voltage	$I_{OL} = 10\text{ mA}$			0.03	V
V_{OH}	High level output voltage	$I_{OL} = -10\text{ mA}$	$V_{HB}-0.06$			V
UNDER VOLTAGE PROTECTION						
V_{CCR}	V_{CC} Rising edge threshold	Rising	3.2	3.8	4.5	V
V_{CCF}	V_{CC} Falling edge threshold		3.0	3.6	4.3	V
$V_{CC(hyst)}$	V_{CC} UVLO threshold hysteresis			210		mV
V_{HBR}	HB Rising edge threshold	Rising	2.5	3.2	3.9	V
V_{HBF}	HB Falling edge threshold		2.3	3.0	3.7	V
$V_{HB(hyst)}$	HB UVLO threshold hysteresis			220		mV
BOOTSTRAP DIODE						
V_{DL}	Low-Current forward voltage	$I_{VDD-HB} = 100\mu\text{A}$		0.45	0.65	V
V_{DH}	High current forward voltage	$I_{VDD-HB} = 100\text{mA}$		0.9	1.2	V
R_D	Dynamic Resistance	$I_{VDD-HB} = 100\text{mA}$		1.85		Ω
	HB-HS Clamp	Regulation Voltage	4.65	5	5.2	V
t_{BS}	Bootstrap diode reverse recovery time	$I_F = 100\text{ mA}, I_R = 100\text{ mA}$		40		ns
Q_{RR}	Bootstrap diode reverse recovery charge	$V_{VIN} = 50\text{ V}$		2		nC
SUPPLY CURRENTS						
I_{CC}	VCC Quiescent Current	$LI = HI = 0V, V_{CC} = 5V$		0.08	0.125	mA

5.6 Electrical Characteristics (続き)

Unless otherwise noted, voltages are with respect to AGND; $-40^{\circ}\text{C} \leq T_J \leq 125^{\circ}\text{C}$ ⁽¹⁾

PARAMETER		TEST CONDITIONS	MIN	TYP	MAX	UNIT
I_{CC}	VCC Quiescent Current	LI=VCC=5V, HI=0V, LMG3100R017		0.17	5	mA
I_{CC}	VCC Quiescent Current	LI=VCC=5V, HI=0V, LMG3100R044		0.17	5	mA
I_{CCO}	Total VCC Operating Current	f = 500 kHz, 50% Duty cycle, $V_{IN} = 48\text{V}$, LMG3100R017		10	20	mA
I_{CCO}	Total VCC Operating Current	f = 500 kHz, 50% Duty cycle, $V_{IN} = 48\text{V}$, LMG3100R044		5	10	mA
I_{HB}	HB Quiescent Current	LI = HI = 0V, VCC = 5V, HB-HS = 4.6V		0.1	0.150	mA
I_{HB}	HB Quiescent Current	LI=0V, HI=VCC=5V, HB-HS=4.6V, $V_{IN}=48\text{V}$, LMG3100R017		0.16	0.25	mA
I_{HB}	HB Quiescent Current	LI=0V, HI=VCC=5V, HB-HS=4.6V, $V_{IN}=48\text{V}$, LMG3100R044		0.16	0.25	mA
I_{HBO}	HB Operating Current	f = 500 kHz, 50% Duty cycle, $V_{DD} = 5\text{V}$, $V_{IN} = 48\text{V}$, for low side device in half-bridge configuration, LMG3100R017, HB-HS = 4.6V (supplied externally)		1.5	2.5	mA
I_{HBO}	HB Operating Current	f = 500 kHz, 50% Duty cycle, $V_{DD} = 5\text{V}$, $V_{IN} = 48\text{V}$, for low side device in half-bridge configuration, HB-HS = 4.6V (supplied externally) LMG3100R044		1.5	2.5	mA

- (1) Parameters that show only a typical value are determined by design and may not be tested in production
 (2) See *Propagation Delay and Mismatch Measurement* section

5.7 Typical Characteristics

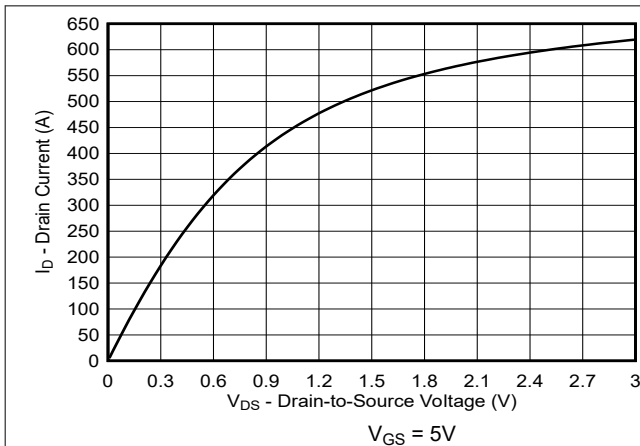


Figure 5-1. LMG3100R017 Typical Output Characteristics

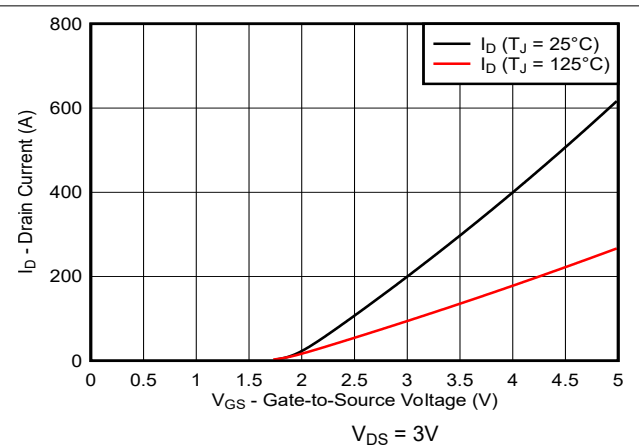


Figure 5-2. LMG3100R017 Typical Transfer Characteristics

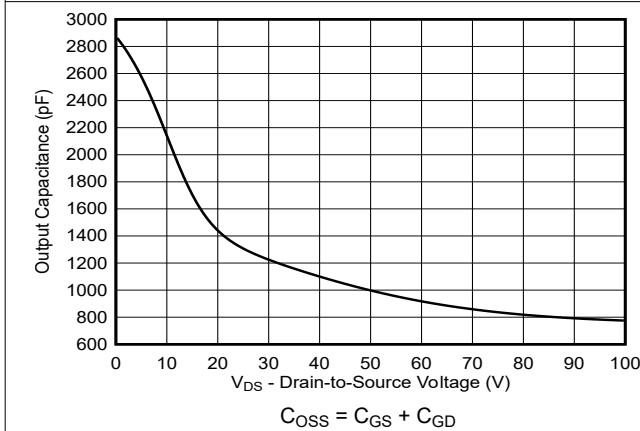


Figure 5-3. LMG3100R017 Typical Capacitance (Linear Scale)

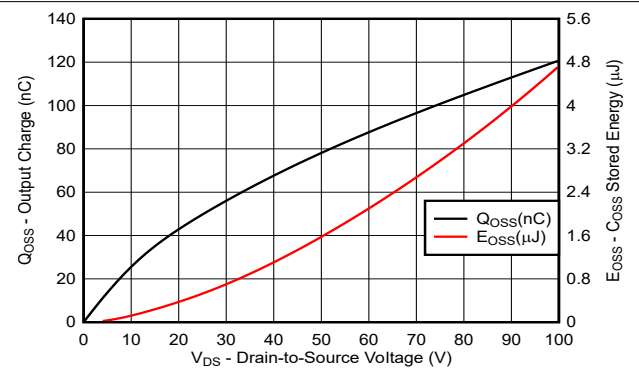


Figure 5-4. LMG3100R017 Typical Output Charge and C_{OSS} Stored Energy

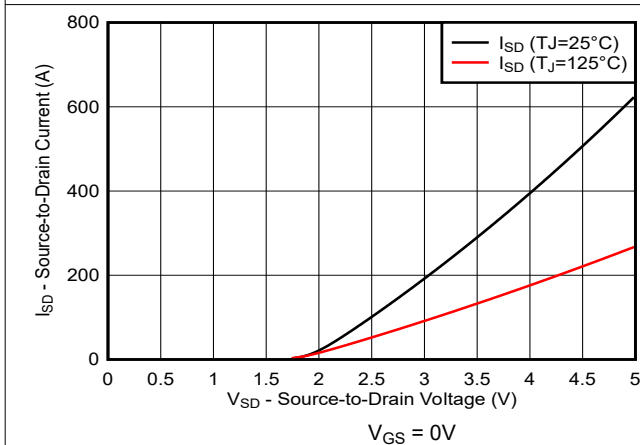


Figure 5-5. LMG3100R017 Reverse Drain-Source Characteristics

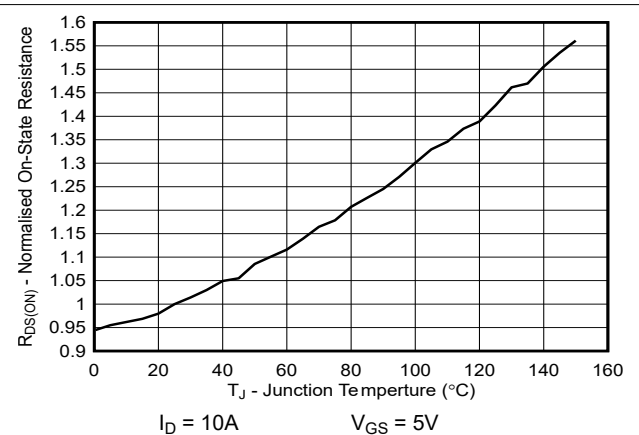


Figure 5-6. LMG3100R017 Normalized On-State Resistance vs Junction Temperature

5.7 Typical Characteristics (continued)

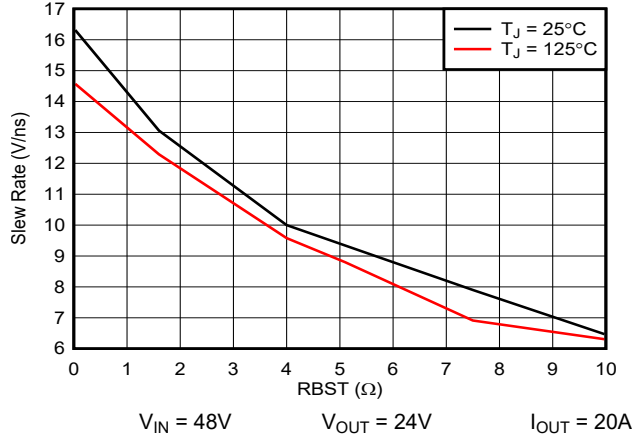


Fig 5-7. LMG3100R017 Slew Rate Control for a Buck Converter Using R_{BST}

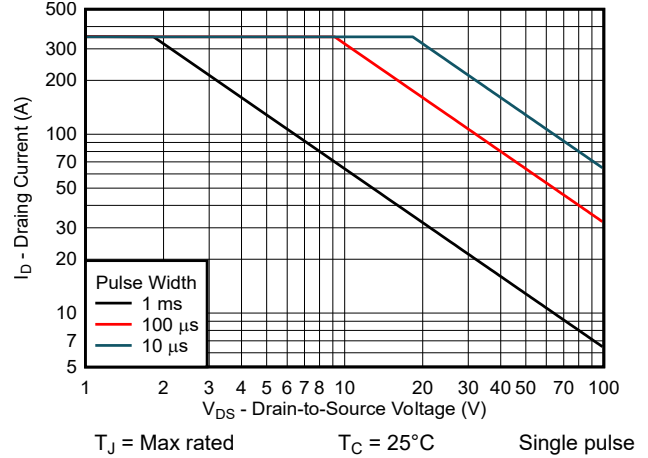


Fig 5-8. LMG3100R017 Safe Operating Area

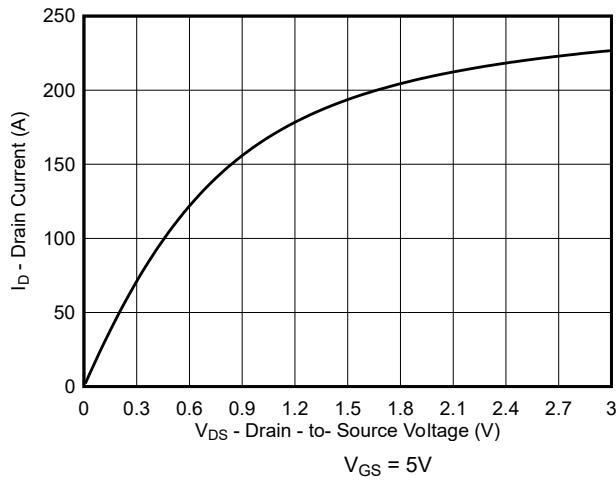


Fig 5-9. LMG3100R044 Typical Output Characteristics

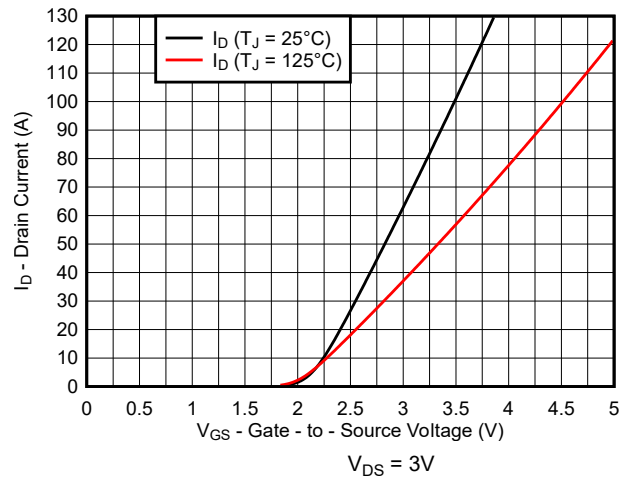


Fig 5-10. LMG3100R044 Typical Transfer Characteristics

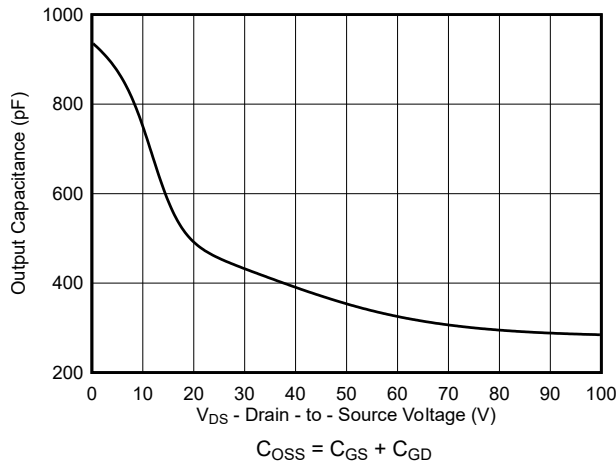


Fig 5-11. LMG3100R044 Typical Capacitance (Linear Scale)

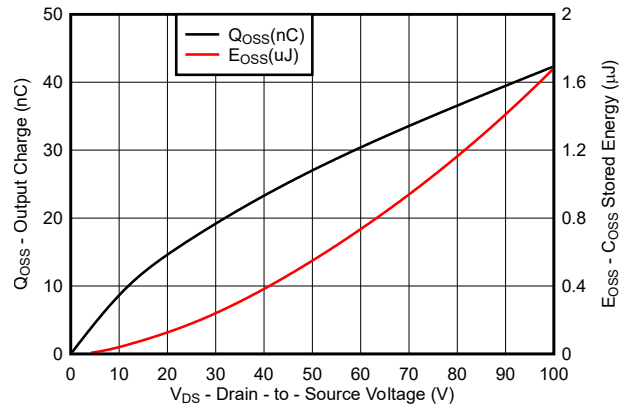
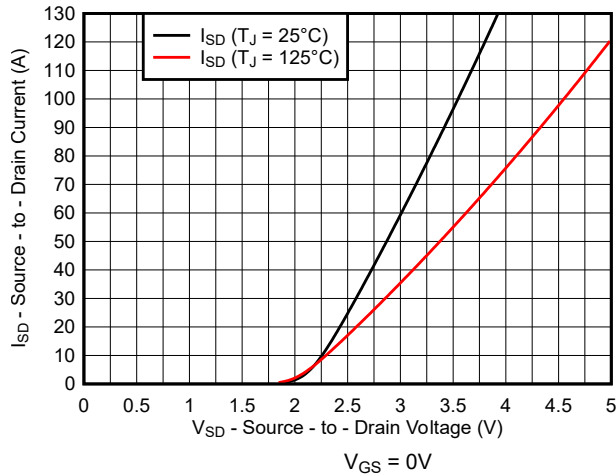
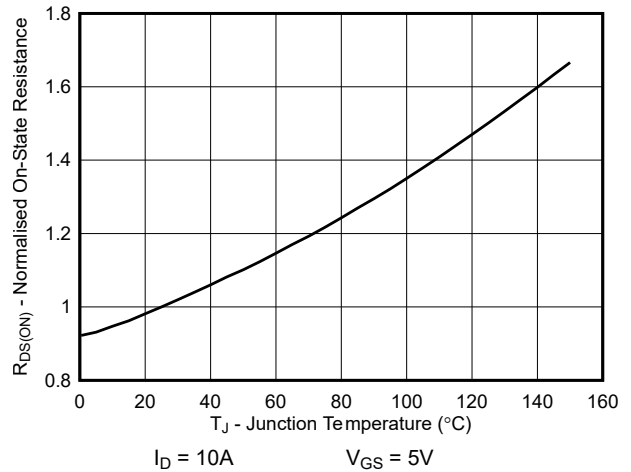


Fig 5-12. LMG3100R044 Typical Output Charge and C_{OSS} Stored Energy

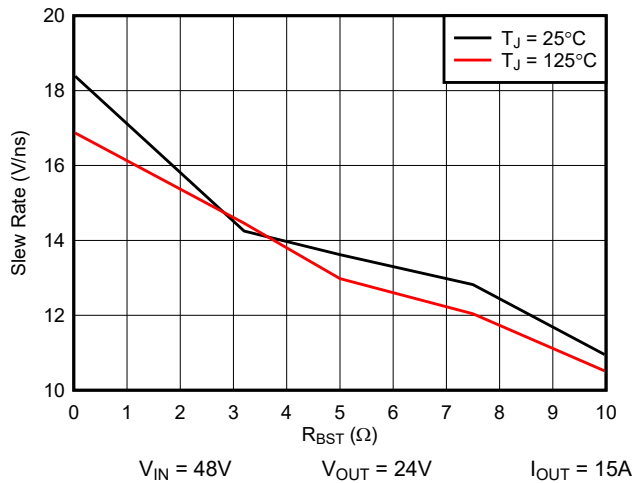
5.7 Typical Characteristics (continued)



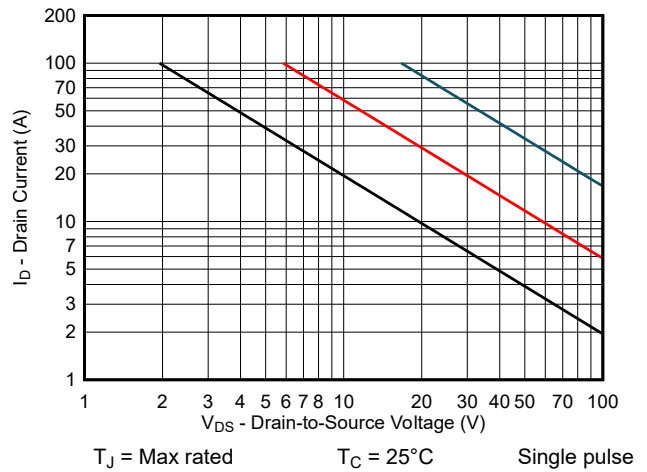
5-13. LMG3100R044 Reverse Drain-Source Characteristics



5-14. LMG3100R044 Normalized On-State Resistance vs Junction Temperature



5-15. LMG3100R044 Slew Rate Control for a Buck Converter Using R_{BST}



5-16. LMG3100R044 Safe Operating Area

6 Parameter Measurement Information

6.1 Propagation Delay and Mismatch Measurement

Figure 6-1 shows the typical test setup used to measure the propagation mismatch. As the gate drives are not accessible, pullup and pulldown resistors in this test circuit are used to indicate when the low-side GaN FET turns ON and the high-side GaN FET turns OFF and vice versa to measure the t_{MON} and t_{MOFF} parameters. Resistance values used in this circuit for the pullup and pulldown resistors are in the order of $1k\Omega$; the current sources used are 2A.

Figure 6-2 through Figure 6-5 show propagation delay measurement waveforms. For turnon propagation delay measurements, the current sources are not used. For turnoff time measurements, the current sources are set to 2A, and a voltage clamp limit is also set, referred to as $V_{IN(CLAMP)}$. When measuring the high-side component turnoff delay, the current source across the high-side FET is turned on, the current source across the low-side FET is off, HI transitions from high-to-low, and output voltage transitions from V_{IN} to $V_{IN(CLAMP)}$. Similarly, for low-side component turnoff propagation delay measurements, the high-side component current source is turned off, and the low-side component current source is turned on, LI transitions from high to low and the output transitions from GND potential to $V_{IN(CLAMP)}$. The time between the transition of LI and the output change is the propagation delay time.

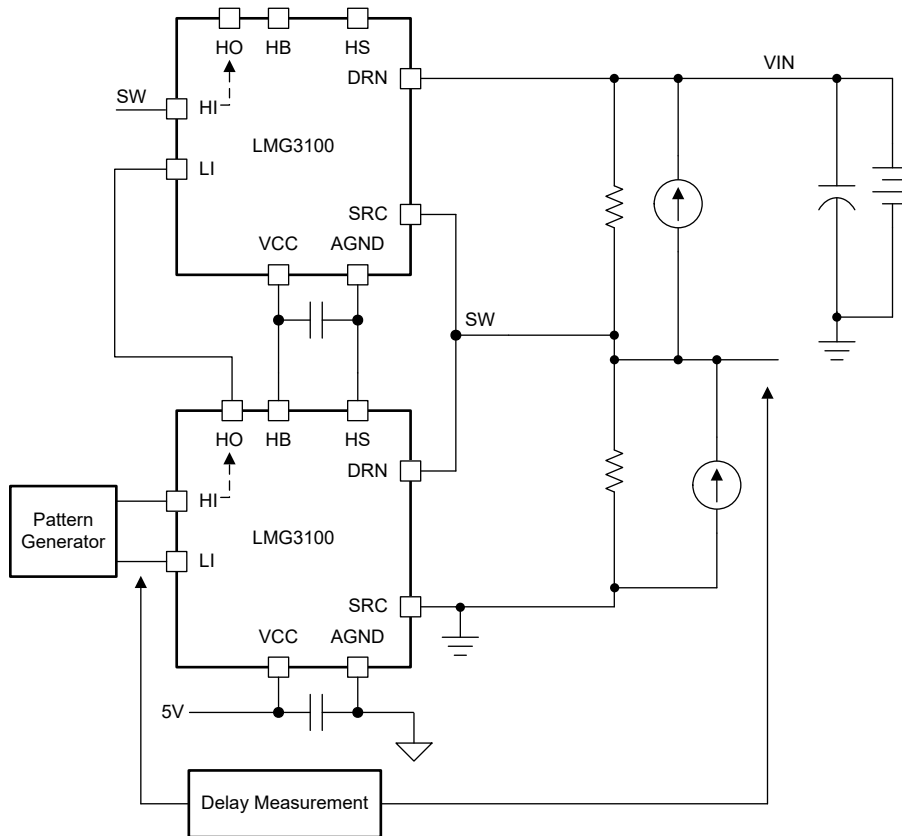
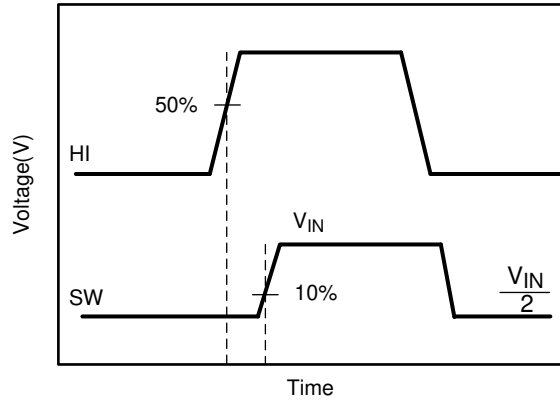
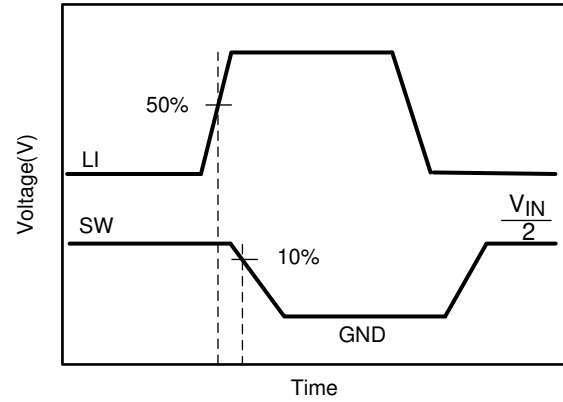


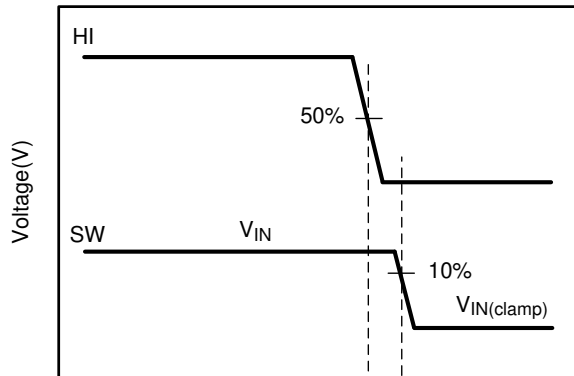
Figure 6-1. Propagation Delay and Propagation Mismatch Measurement



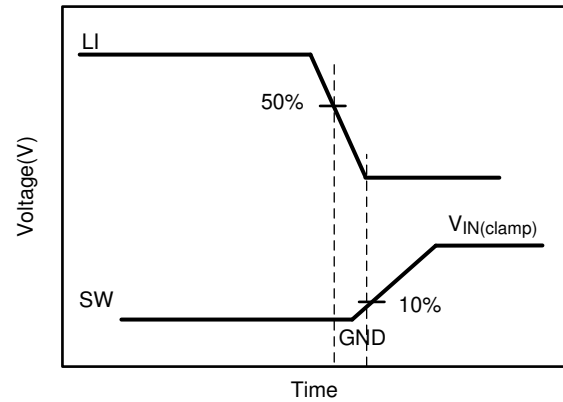
6-2. High-Side Gate Driver Turnon



6-3. Low-Side Gate Driver Turnon



6-4. High-Side Gate Driver Turnoff



6-5. Low-Side Gate Driver Turnoff

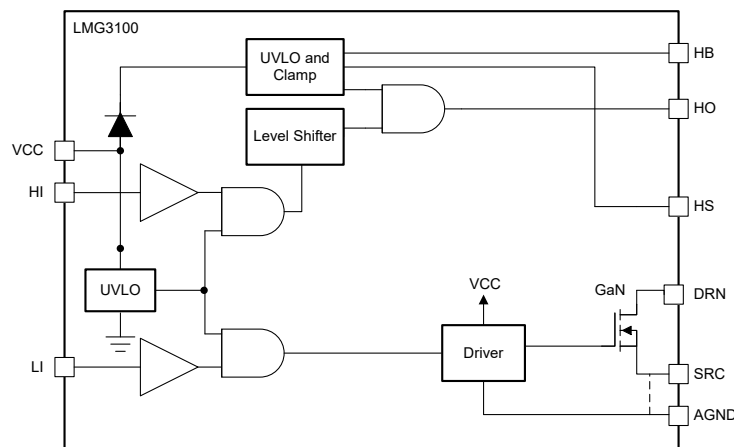
7 Detailed Description

7.1 Overview

セクション 7.2 shows the LMG3100 GaN FET with gate driver, high-side level shift and bootstrap circuit, which includes built-in UVLO protection circuitry and an overvoltage clamp circuitry. The clamp circuitry limits the bootstrap refresh operation to ensure that the high-side gate driver overdrive does not exceed 5.4V. The device integrates a 1.7mΩ GaN FET for LMG3100R017 and a 4.4mΩ GaN FET for LMG3100R044, with the possibility of using two LMG3100 to form a half-bridge without external level shifter. The device can be used in many isolated and non-isolated topologies allowing very simple integration. The drive strengths for turnon and turnoff are optimized to ensure high voltage slew rates without causing any excessive ringing on the gate or power loop.

7.2 Functional Block Diagram

The functional block diagram of the LMG3100 device with integrated GaN FET and driver, high-side level shift, and bootstrap circuit.



7.3 Feature Description

The LMG3100 device brings ease of designing high power density boards without the need for underfill while maintaining creepage and clearance requirements. Co-packaging the GaN FET with the driver ensures minimized common source inductance. This minimized inductance has a significant performance impact on hard-switched topologies.

The built-in bootstrap circuit with clamp prevents the high-side gate drive from exceeding the GaN FETs maximum gate-to-source voltage (V_{gs}) without any additional external circuitry. The built-in driver has an undervoltage lockout (UVLO) on the VCC and bootstrap (HB-HS) rails. When the VCC voltage is below the UVLO threshold voltage, the device ignores both the HI and LI signals to prevent the GaN FETs from being partially turned on. Below UVLO, if there is sufficient voltage ($V_{VCC} > 2.5\text{ V}$), the driver actively pulls the high-side and low-side gate driver output low. The UVLO threshold hysteresis of 200 mV prevents chattering and unwanted turnon due to voltage spikes. Use an external VCC bypass capacitor with a value of 1 μF or higher. TI recommends a size of 0402 to minimize trace length to the pin. Place the bypass and bootstrap capacitors as close as possible to the device to minimize parasitic inductance.

7.3.1 Control Inputs

The LMG3100's inputs pins are independently controlled with TTL input thresholds and can support 3.3-V and 5-V logic levels regardless of the VCC voltage.

In order to allow flexibility to optimize deadtime according to design needs, the LMG3100 does not implement an overlap protection functionality. If both HI and LI are asserted, both the high-side and low-side GaN FETs are turned on. Careful consideration must be applied to the control inputs in order to avoid a shoot-through condition.

7.3.2 Start-up and UVLO

The LMG3100 has an UVLO on both the VCC and HB (bootstrap) supplies. When the VCC voltage is below the threshold voltage of 3.8 V, both the HI and LI inputs are ignored, to prevent the GaN FETs from being partially turned on. Also, if there is insufficient VCC voltage, the UVLO actively pulls the high- and low-side GaN FET gates low. When the HB to HS bootstrap voltage is below the UVLO threshold of 3.2 V, only the high-side GaN FET gate is pulled low. Both UVLO threshold voltages have 200 mV of hysteresis to avoid chattering.

表 7-1. VCC UVLO Feature Logic Operation

CONDITION ($V_{HB-HS} > V_{HBR}$ for all cases below)	HI	LI	SW
$V_{CC} - V_{SS} < V_{CCR}$ during device start-up	H	L	Hi-Z
$V_{CC} - V_{SS} < V_{CCR}$ during device start-up	L	H	Hi-Z
$V_{CC} - V_{SS} < V_{CCR}$ during device start-up	H	H	Hi-Z
$V_{CC} - V_{SS} < V_{CCR}$ during device start-up	L	L	Hi-Z
$V_{CC} - V_{SS} < V_{CCR} - V_{CC(hyst)}$ after device start-up	H	L	Hi-Z
$V_{CC} - V_{SS} < V_{CCR} - V_{CC(hyst)}$ after device start-up	L	H	Hi-Z
$V_{CC} - V_{SS} < V_{CCR} - V_{CC(hyst)}$ after device start-up	H	H	Hi-Z
$V_{CC} - V_{SS} < V_{CCR} - V_{CC(hyst)}$ after device start-up	L	L	Hi-Z

表 7-2. VHB-HS UVLO Feature Logic Operation

CONDITION ($V_{CC} > V_{CCR}$ for all cases below)	HI	LI	SW
$V_{HB-HS} < V_{HBR}$ during device start-up	H	L	Hi-Z
$V_{HB-HS} < V_{HBR}$ during device start-up	L	H	PGND
$V_{HB-HS} < V_{HBR}$ during device start-up	H	H	PGND
$V_{HB-HS} < V_{HBR}$ during device start-up	L	L	Hi-Z
$V_{HB-HS} < V_{HBR} - V_{HB(hyst)}$ after device start-up	H	L	Hi-Z
$V_{HB-HS} < V_{HBR} - V_{HB(hyst)}$ after device start-up	L	H	PGND
$V_{HB-HS} < V_{HBR} - V_{HB(hyst)}$ after device start-up	H	H	PGND

表 7-2. V_{HB-HS} UVLO Feature Logic Operation (続き)

CONDITION ($V_{CC} > V_{CCR}$ for all cases below)	HI	LI	SW
$V_{HB-HS} < V_{HBR} - V_{HB(hyst)}$ after device start-up	L	L	Hi-Z

7.3.3 Bootstrap Supply Voltage Clamping

The high-side bias voltage is generated using a bootstrap technique and is internally clamped at 5 V (typical). This clamp prevents the gate voltage from exceeding the maximum gate-source voltage rating of the enhancement-mode GaN FETs.

7.3.4 Level Shift

The level-shift circuit is the interface from the high-side input HI to the high-side driver stage, which is referenced to the switch node (HS). The level shift allows control of the high-side GaN FET gate driver output, which is referenced to the HS pin.

7.4 Device Functional Modes

The LMG3100 operates in normal mode and UVLO mode. See [セクション 7.3.2](#) for information on UVLO operation mode. In the normal mode, the output state is dependent on the states of the HI and LI pins. [表 7-3](#) lists the output states for different input pin combinations. Note that when both HI and LI are asserted, both GaN FETs in the power stage are turned on. Careful consideration must be applied to the control inputs in order to avoid this state, as it will result in a shoot-through condition, which can permanently damage the device.

表 7-3. Truth Table

HI	LI	HIGH-SIDE GaN FET	LOW-SIDE GaN FET	SW
L	L	OFF	OFF	Hi-Z
L	H	OFF	ON	PGND
H	L	ON	OFF	VIN
H	H	ON	ON	---

8 Application and Implementation


注

Information in the following applications sections is not part of the TI component specification, and TI does not warrant its accuracy or completeness. TI's customers are responsible for determining suitability of components for their purposes. Customers should validate and test their design implementation to confirm system functionality.

8.1 Application Information

The LMG3100 GaN power stage is a versatile building block for various types of high-frequency, switch-mode power applications. The high-performance gate driver IC integrated in the package helps minimize the parasitics and results in extremely fast switching of the GaN FETs. The device design is highly optimized for synchronous buck converters and other half-bridge configurations.

8.2 Typical Application

 [8-1](#) shows a synchronous buck converter application using a digital PWM controller. The control signal for the high-side LMG3100 provided by the digital controller is level shifted through the low-side LMG3100, to complete the half-bridge without using an additional level shifter. It is critical to optimize the power loop (loop impedance from VIN capacitor to PGND). Having a high power loop inductance causes significant ringing in the SW node and also causes the associated power loss.

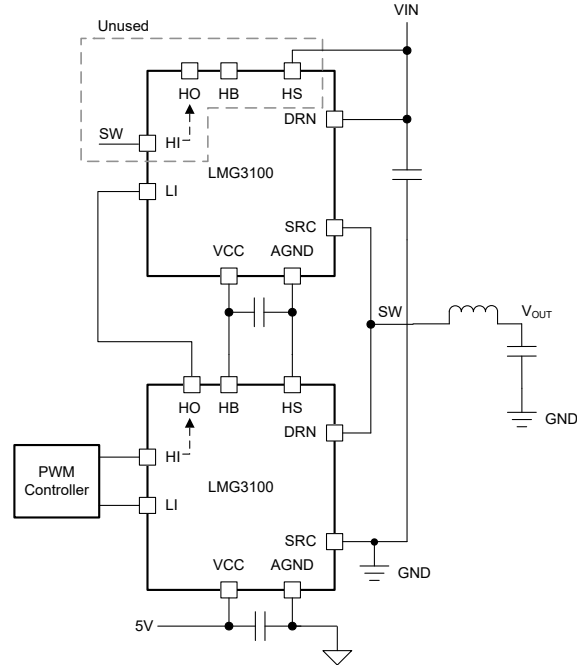


図 8-1. Typical Connection Diagram For a Synchronous Buck Converter

8.2.1 Design Requirements

When designing a synchronous buck converter application that incorporates the LMG3100 power stage, some design considerations must be evaluated first to make the most appropriate selection. Among these considerations are the input voltages, passive components, operating frequency, and controller selection. 表 8-1 shows some sample values for a typical application. See セクション 8.3, セクション 8.4, and セクション 8.2.2.5 for other key design considerations for the LMG3100.

表 8-1. Design Parameters

PARAMETER	SAMPLE VALUE
Half-bridge input supply voltage, V_{IN}	48 V
Output voltage, V_{OUT}	12 V
Output current	8 A
V_{HB-HS} bootstrap capacitor	0.3 uF, X7R
Switching frequency	1 MHz
Inductor	4.7 μ H
Controller	LM5148

8.2.2 Detailed Design Procedure

This procedure outlines the design considerations of LMG3100 in a synchronous buck converter. For additional design help, see セクション 9.1.1.

8.2.2.1 V_{CC} Bypass Capacitor

The V_{CC} bypass capacitor provides the gate charge for the low-side and high-side transistors and absorbs the reverse recovery charge of the bootstrap diode. The required bypass capacitance can be calculated with 式 1.

$$C_{VCC} = (2 \times Q_G + Q_{RR}) / \Delta V \quad (1)$$

Q_G is the individual and equal gate charge of the high-side and low-side GaN FETs. Q_{RR} is the reverse recovery charge of the bootstrap diode. ΔV is the maximum allowable voltage drop across the bypass capacitor. A 1- μF or larger value, good-quality, ceramic capacitor is recommended. Place the bypass capacitor as close as possible to the V_{CC} and AGND pins of the device to minimize the parasitic inductance.

8.2.2.2 Bootstrap Capacitor

The bootstrap capacitor provides the gate charge for the high-side gate drive, dc bias power for HB UVLO circuit, and the reverse recovery charge of the bootstrap diode. The required bypass capacitance can be calculated using 式 2.

$$C_{BST} = (Q_G + Q_{RR} + I_{CC} * t_{ON(max)}) / \Delta V \tag{2}$$

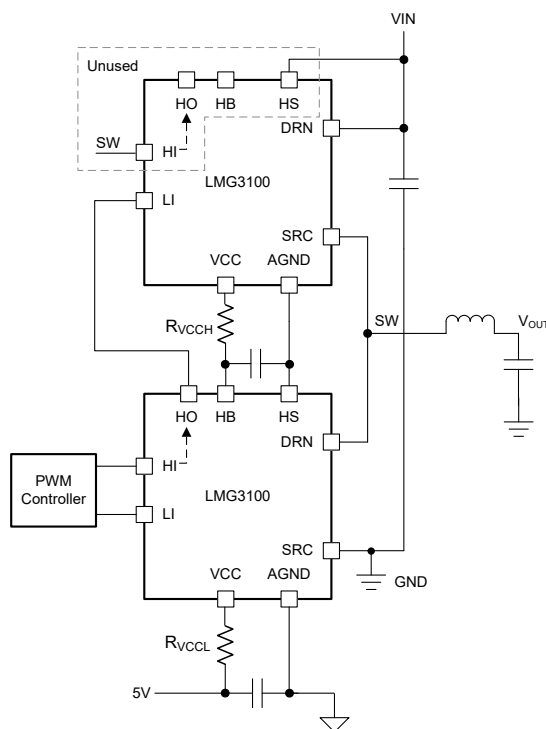
where

- I_{CC} is the quiescent current of the high side device
- $t_{ON(max)}$ is the maximum on-time period of the high-side gate driver
- Q_{RR} is the reverse recovery charge of the bootstrap diode
- Q_G is the gate charge of the high-side GaN FET
- ΔV is the permissible ripple in the bootstrap capacitor (< 100 mV, typical)

A 0.3- μF , 16-V, 0402 ceramic capacitor is suitable for most applications. Place the bootstrap capacitor as close as possible to the HB and HS pins.

8.2.2.3 Slew Rate Control

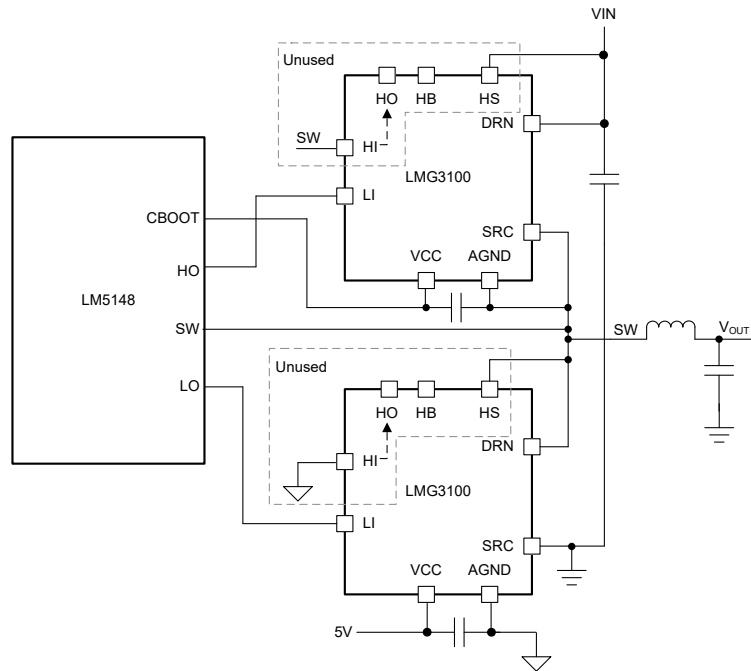
☒ 8-2 shows a switching application where the slew rate on the switch node may be controlled by using resistors R_{VCCCL} and R_{VCCCH} . R_{VCCCL} may be used to slow down the turn-on of the Low Side GaN FET, and R_{VCCCH} may be used to slow down the turn-on of the High Side GaN FET. Using these resistors allows the system engineer to optimize the tradeoff between higher efficiency (faster slew rates) and lower ringing (slower slew rates).



☒ 8-2. Slew Rate Control with R_{VCCCL} and R_{VCCCH} Resistors

8.2.2.4 Use With Analog Controllers

8-3 shows a synchronous buck converter application using an analog controller that provides level-shifted high-side control with the switch node as reference. The analog controller also generates the bootstrap voltage. In this use case, the level-shifted high-side control output, HO, from the controller may be directly connected to the input pin, LI, of the high-side LMG3100. The in-built level shifter and boot-strap circuits of the low-side LMG3100 are left unused.



8-3. Use With Analog Controllers That Have In-built Level-shifting

8.2.2.5 Power Dissipation

Ensure that the power loss in the driver and the GaN FETs is maintained below the maximum power dissipation limit of the package at the operating temperature. The smaller the power loss in the driver and the GaN FETs, the higher the maximum operating frequency that can be achieved in the application. The total power dissipation of the LMG3100 device is the sum of the gate driver losses, the bootstrap diode power loss and the switching and conduction losses in the FETs.

The gate driver losses are incurred by charge and discharge of the capacitive load. It can be approximated using 式 3.

$$P = 2 \times Q_G \times V_{CC} \times f_{SW} \quad (3)$$

where

- Q_G is the gate charge
- V_{CC} is the bias supply
- f_{SW} is the switching frequency

There are some additional losses in the gate drivers due to the internal CMOS stages used to buffer the outputs.

The bootstrap diode power loss is the sum of the forward bias power loss that occurs while charging the bootstrap capacitor and the reverse bias power loss that occurs during reverse recovery. Because each of these events happens once per cycle, the diode power loss is proportional to the operating frequency. Higher input voltages (V_{IN}) to the half bridge also result in higher reverse recovery losses.

The power losses due to the GaN FETs can be divided into conduction losses and switching losses. Conduction losses are resistive losses and can be calculated using 式 4.

$$P_{COND} = \left[(I_{RMS(HS)})^2 \times R_{DS(on)HS} \right] + \left[(I_{RMS(LS)})^2 \times R_{DS(on)LS} \right] \quad (4)$$

where

- $R_{DS(on)HS}$ is the high-side GaN FET on-resistance
- $R_{DS(on)LS}$ is the low-side GaN FET on-resistance
- $I_{RMS(HS)}$ is the high-side GaN FET RMS current
- $I_{RMS(LS)}$ and low-side GaN FET RMS current

The switching losses can be computed to a first order using , t_{TR} can be approximated by dividing V_{IN} by 25V/ns, which is a conservative estimate of the switched node slew rate. 式 5.

$$P_{SW} = V_{IN} \times I_{OUT} \times t_{TR} \times f_{SW} + V_{IN} \times V_{IN} \times C_{OSS(ER)} \times f_{SW} \quad (5)$$

where

- t_{TR} is sum of the switch node transition times from ON to OFF and from OFF to ON
- $C_{OSS(ER)}$ is the output capacitance of each GaN FET

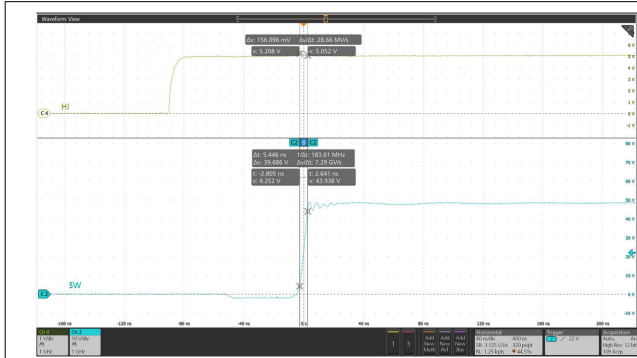
Note that the low-side FET does not suffer from this loss. The third quadrant loss in the low-side device is ignored in this first order loss calculation.

As described previously, switching frequency has a direct effect on device power dissipation. Although the gate driver of the LMG3100 device is capable of driving the GaN FETs at frequencies up to 10MHz, careful consideration must be applied to ensure that the running conditions for the device meet the recommended operating temperature specification. Specifically, hard-switched topologies tend to generate more losses and self-heating than soft-switched applications.

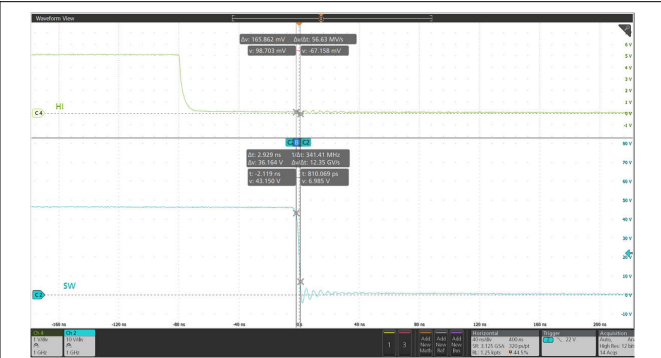
The sum of the driver loss, the bootstrap diode loss, and the switching and conduction losses in the GaN FETs is the total power loss of the device. Careful board layout with an adequate amount of thermal vias close to the

power pads (VIN and PGND) allows optimum power dissipation from the package. A top-side mounted heat sink with airflow can also improve the package power dissipation.

8.2.3 Application Curves



8-4. SW Node Behavior Showing the Dead Time and Rise Time for $R_{BST} = 3 \Omega$ in a buck configuration



8-5. SW node Falling Behavior in a buck configuration

8.3 Power Supply Recommendations

The recommended bias supply voltage range for LMG3100 is from 4.75 V to 5.25 V. The lower end of this range is governed by the internal undervoltage lockout (UVLO) protection feature of the V_{CC} supply circuit. The upper end of this range is driven by the 6 V absolute maximum voltage rating of V_{CC} . Note that the gate voltage of the low-side GaN FET is not clamped internally. Hence, it is important to keep the V_{CC} bias supply within the recommended operating range to prevent exceeding the low-side GaN transistor gate breakdown voltage.

The UVLO protection feature also involves a hysteresis function. This means that once the device is operating in normal mode, if the V_{CC} voltage drops, the device continues to operate in normal mode as far as the voltage drop does not exceeds the hysteresis specification, $V_{CC(hyst)}$. If the voltage drop is more than hysteresis specification, the device shuts down. Therefore, while operating at or near the 4.5 V range, the voltage ripple on the auxiliary power supply output must be smaller than the hysteresis specification of LMG3100 to avoid triggering device-shutdown.

Place a local bypass capacitor between the VCC and AGND pins. This capacitor must be located as close as possible to the device. A low ESR, ceramic surface-mount capacitor is recommended. TI recommends using 2 capacitors across VCC and GND: a 100 nF ceramic surface-mount capacitor for high frequency filtering placed very close to VCC and GND pin, and another surface-mount capacitor, 220 nF to 10 μ F, for IC bias requirements.

8.4 Layout

8.4.1 Layout Guidelines

To maximize the efficiency benefits of fast switching, it is extremely important to optimize the board layout such that the power loop impedance is minimal. When using a multilayer board (more than 2 layers), power loop parasitic impedance is minimized by having the return path to the input capacitor (between VIN and PGND), small and directly underneath the first layer as shown in 8-6 and 8-7. Loop inductance is reduced due to flux cancellation as the return current is directly underneath and flowing in the opposite direction.

Insufficient attention to the above power loop layout guidelines can result in excessive overshoot and undershoot on the switch node.

It is also critical that the VCC capacitors and the bootstrap capacitors are as close as possible to the device and in the first layer. Carefully consider the AGND connection of LMG3100 device. It must NOT be directly connected

to PGND so that PGND noise does not directly shift AGND and cause spurious switching events due to noise injected in HI and LI signals.

8.4.2 Layout Examples

Placements shown in [Figure 8-6](#) and in the cross section of [Figure 8-7](#) show the suggested placement of the device with respect to sensitive passive components, such as VIN, bootstrap capacitors (HS and HB) and VCC capacitors. Use appropriate spacing in the layout to reduce creepage and maintain clearance requirements in accordance with the application pollution level. Inner layers if present can be more closely spaced due to negligible pollution.

The layout must be designed to minimize the capacitance at the SW node. Use as small an area of copper as possible to connect the device SW pin to the inductor, or transformer, or other output load. Furthermore, ensure that the ground plane or any other copper plane has a cutout so that there is no overlap with the SW node, as this would effectively form a capacitor on the printed circuit board. Additional capacitance on this node reduces the advantages of the advanced packaging approach of the LMG3100 and may result in reduced performance.



Figure 8-6. External Component Placement (Multi Layer Board)

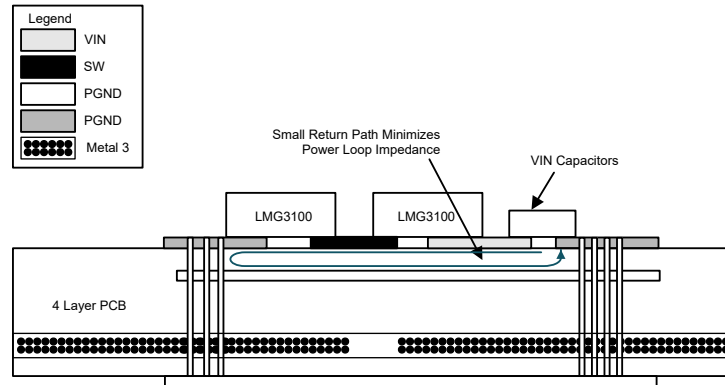


図 8-7. Four-Layer Board Cross Section With Return Path Directly Underneath for Power Loop

9 Device and Documentation Support

9.1 Documentation Support

9.1.1 Related Documentation

[Layout Guidelines for LMG3100 GaN Power Stage Module](#)

[Using the LMG3100: GaN Half-Bridge Power Module Evaluation Module](#)

9.2 ドキュメントの更新通知を受け取る方法

ドキュメントの更新についての通知を受け取るには、www.tij.co.jp のデバイス製品フォルダを開いてください。[通知] をクリックして登録すると、変更されたすべての製品情報に関するダイジェストを毎週受け取ることができます。変更の詳細については、改訂されたドキュメントに含まれている改訂履歴をご覧ください。

9.3 サポート・リソース

テキサス・インスツルメンツ E2E™ サポート・フォーラムは、エンジニアが検証済みの回答と設計に関するヒントをエキスパートから迅速かつ直接得ることができる場所です。既存の回答を検索したり、独自の質問をしたりすることで、設計に必要な支援を迅速に得ることができます。

リンクされているコンテンツは、各寄稿者により「現状のまま」提供されるものです。これらはテキサス・インスツルメンツの仕様を構成するものではなく、必ずしもテキサス・インスツルメンツの見解を反映したものではありません。テキサス・インスツルメンツの[使用条件](#)を参照してください。

9.4 Trademarks

テキサス・インスツルメンツ E2E™ is a trademark of Texas Instruments.
すべての商標は、それぞれの所有者に帰属します。

9.5 静電気放電に関する注意事項



この IC は、ESD によって破損する可能性があります。テキサス・インスツルメンツは、IC を取り扱う際には常に適切な注意を払うことを推奨します。正しい取り扱いおよび設置手順に従わない場合、デバイスを破損するおそれがあります。

ESD による破損は、わずかな性能低下からデバイスの完全な故障まで多岐にわたります。精密な IC の場合、パラメータがわずかに変化するだけで公表されている仕様から外れる可能性があるため、破損が発生しやすくなっています。

9.6 用語集

[テキサス・インスツルメンツ用語集](#) この用語集には、用語や略語の一覧および定義が記載されています。

10 Revision History

資料番号末尾の英字は改訂を表しています。その改訂履歴は英語版に準じています。

Changes from Revision A (July 2024) to Revision B (November 2024)	Page
• Changed part number typographical error in 図 8-6	22

Changes from Revision * (January 2024) to Revision A (July 2024)	Page
• ドキュメントのステータスを「事前情報」から「量産データ」	1

11 Mechanical, Packaging, and Orderable Information

The following pages include mechanical, packaging, and orderable information. This information is the most current data available for the designated devices. This data is subject to change without notice and revision of this document. For browser-based versions of this data sheet, refer to the left-hand navigation.

重要なお知らせと免責事項

テキサス・インスツルメンツは、技術データと信頼性データ (データシートを含みます)、設計リソース (リファレンス デザインを含みます)、アプリケーションや設計に関する各種アドバイス、Web ツール、安全性情報、その他のリソースを、欠陥が存在する可能性のある「現状のまま」提供しており、商品性および特定目的に対する適合性の黙示保証、第三者の知的財産権の非侵害保証を含むいかなる保証も、明示的または黙示的にかかわらず拒否します。

これらのリソースは、テキサス・インスツルメンツ製品を使用する設計の経験を積んだ開発者への提供を意図したものです。(1) お客様のアプリケーションに適した テキサス・インスツルメンツ製品の選定、(2) お客様のアプリケーションの設計、検証、試験、(3) お客様のアプリケーションに該当する各種規格や、その他のあらゆる安全性、セキュリティ、規制、または他の要件への確実な適合に関する責任を、お客様のみが単独で負うものとします。

上記の各種リソースは、予告なく変更される可能性があります。これらのリソースは、リソースで説明されている テキサス・インスツルメンツ製品を使用するアプリケーションの開発の目的でのみ、テキサス・インスツルメンツはその使用をお客様に許諾します。これらのリソースに関して、他の目的で複製することや掲載することは禁止されています。テキサス・インスツルメンツや第三者の知的財産権のライセンスが付与されている訳ではありません。お客様は、これらのリソースを自身で使用した結果発生するあらゆる申し立て、損害、費用、損失、責任について、テキサス・インスツルメンツおよびその代理人を完全に補償するものとし、テキサス・インスツルメンツは一切の責任を拒否します。

テキサス・インスツルメンツの製品は、[テキサス・インスツルメンツの販売条件](#)、または [ti.com](https://www.ti.com) やかかる テキサス・インスツルメンツ製品の関連資料などのいずれかを通じて提供する適用可能な条項の下で提供されています。テキサス・インスツルメンツがこれらのリソースを提供することは、適用されるテキサス・インスツルメンツの保証または他の保証の放棄の拡大や変更を意味するものではありません。

お客様がいかなる追加条項または代替条項を提案した場合でも、テキサス・インスツルメンツはそれらに異議を唱え、拒否します。

郵送先住所: Texas Instruments, Post Office Box 655303, Dallas, Texas 75265

Copyright © 2024, Texas Instruments Incorporated

PACKAGING INFORMATION

Orderable Device	Status (1)	Package Type	Package Drawing	Pins	Package Qty	Eco Plan (2)	Lead finish/ Ball material (6)	MSL Peak Temp (3)	Op Temp (°C)	Device Marking (4/5)	Samples
LMG3100R017VBER	ACTIVE	VQFN-FCRLF	VBE	15	2500	RoHS & Green	NIPDAU	Level-3-260C-168 HR	-40 to 175	3100R17	Samples
LMG3100R044VBER	ACTIVE	VQFN-FCRLF	VBE	15	2500	RoHS & Green	NIPDAU	Level-2-260C-1 YEAR	-40 to 125	3100R4	Samples
XLMG3100R017VBER	ACTIVE	VQFN-FCRLF	VBE	15	2500	TBD	Call TI	Call TI	-40 to 125		Samples

(1) The marketing status values are defined as follows:

ACTIVE: Product device recommended for new designs.

LIFEBUY: TI has announced that the device will be discontinued, and a lifetime-buy period is in effect.

NRND: Not recommended for new designs. Device is in production to support existing customers, but TI does not recommend using this part in a new design.

PREVIEW: Device has been announced but is not in production. Samples may or may not be available.

OBSOLETE: TI has discontinued the production of the device.

(2) **RoHS:** TI defines "RoHS" to mean semiconductor products that are compliant with the current EU RoHS requirements for all 10 RoHS substances, including the requirement that RoHS substance do not exceed 0.1% by weight in homogeneous materials. Where designed to be soldered at high temperatures, "RoHS" products are suitable for use in specified lead-free processes. TI may reference these types of products as "Pb-Free".

RoHS Exempt: TI defines "RoHS Exempt" to mean products that contain lead but are compliant with EU RoHS pursuant to a specific EU RoHS exemption.

Green: TI defines "Green" to mean the content of Chlorine (Cl) and Bromine (Br) based flame retardants meet JS709B low halogen requirements of <=1000ppm threshold. Antimony trioxide based flame retardants must also meet the <=1000ppm threshold requirement.

(3) MSL, Peak Temp. - The Moisture Sensitivity Level rating according to the JEDEC industry standard classifications, and peak solder temperature.

(4) There may be additional marking, which relates to the logo, the lot trace code information, or the environmental category on the device.

(5) Multiple Device Markings will be inside parentheses. Only one Device Marking contained in parentheses and separated by a "~" will appear on a device. If a line is indented then it is a continuation of the previous line and the two combined represent the entire Device Marking for that device.

(6) Lead finish/Ball material - Orderable Devices may have multiple material finish options. Finish options are separated by a vertical ruled line. Lead finish/Ball material values may wrap to two lines if the finish value exceeds the maximum column width.

Important Information and Disclaimer:The information provided on this page represents TI's knowledge and belief as of the date that it is provided. TI bases its knowledge and belief on information provided by third parties, and makes no representation or warranty as to the accuracy of such information. Efforts are underway to better integrate information from third parties. TI has taken and continues to take reasonable steps to provide representative and accurate information but may not have conducted destructive testing or chemical analysis on incoming materials and chemicals. TI and TI suppliers consider certain information to be proprietary, and thus CAS numbers and other limited information may not be available for release.

In no event shall TI's liability arising out of such information exceed the total purchase price of the TI part(s) at issue in this document sold by TI to Customer on an annual basis.

TAPE AND REEL INFORMATION

QUADRANT ASSIGNMENTS FOR PIN 1 ORIENTATION IN TAPE

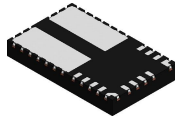

*All dimensions are nominal

Device	Package Type	Package Drawing	Pins	SPQ	Reel Diameter (mm)	Reel Width W1 (mm)	A0 (mm)	B0 (mm)	K0 (mm)	P1 (mm)	W (mm)	Pin1 Quadrant
LMG3100R017VBER	VQFN-FCRLF	VBE	15	2500	330.0	16.4	4.3	6.8	1.1	8.0	16.0	Q1
LMG3100R044VBER	VQFN-FCRLF	VBE	15	2500	330.0	16.4	4.3	6.8	1.1	8.0	16.0	Q1

TAPE AND REEL BOX DIMENSIONS


*All dimensions are nominal

Device	Package Type	Package Drawing	Pins	SPQ	Length (mm)	Width (mm)	Height (mm)
LMG3100R017VBER	VQFN-FCRLF	VBE	15	2500	367.0	367.0	38.0
LMG3100R044VBER	VQFN-FCRLF	VBE	15	2500	367.0	367.0	38.0

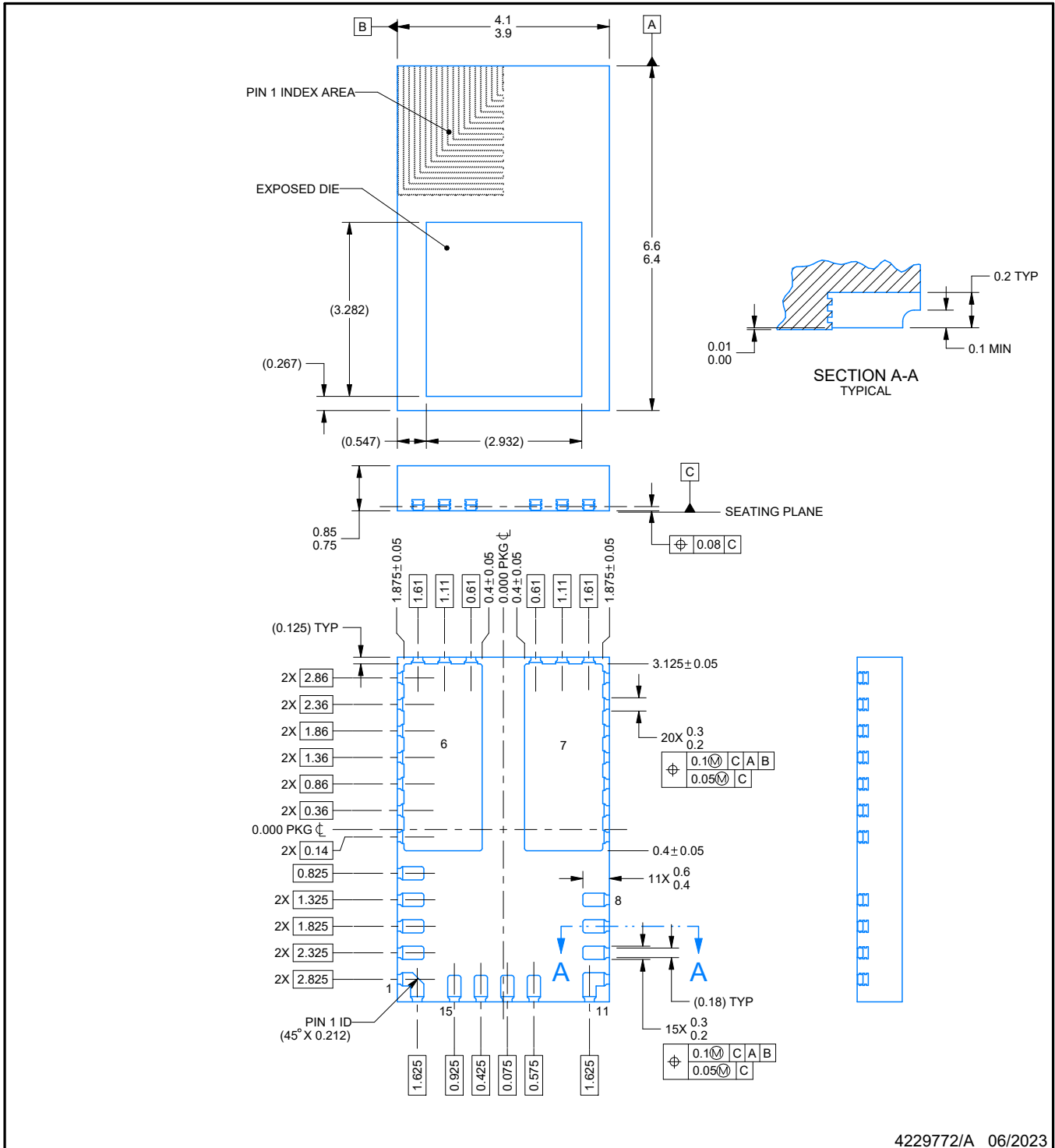


PACKAGE OUTLINE

VBE0015A

VQFN-FCRLF - 0.85 mm max height

PLASTIC QUAD FLATPACK - NO LEAD



4229772/A 06/2023

NOTES:

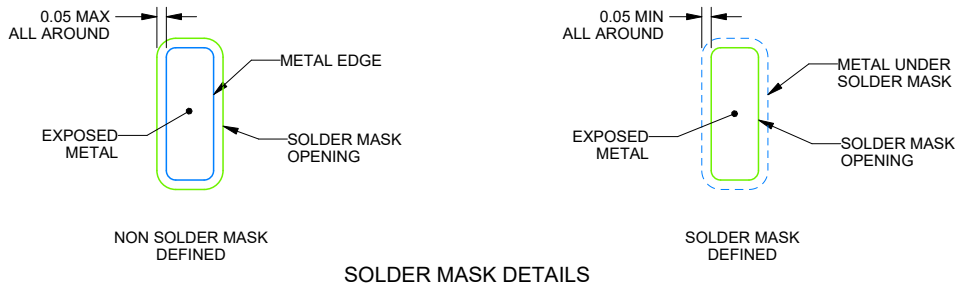
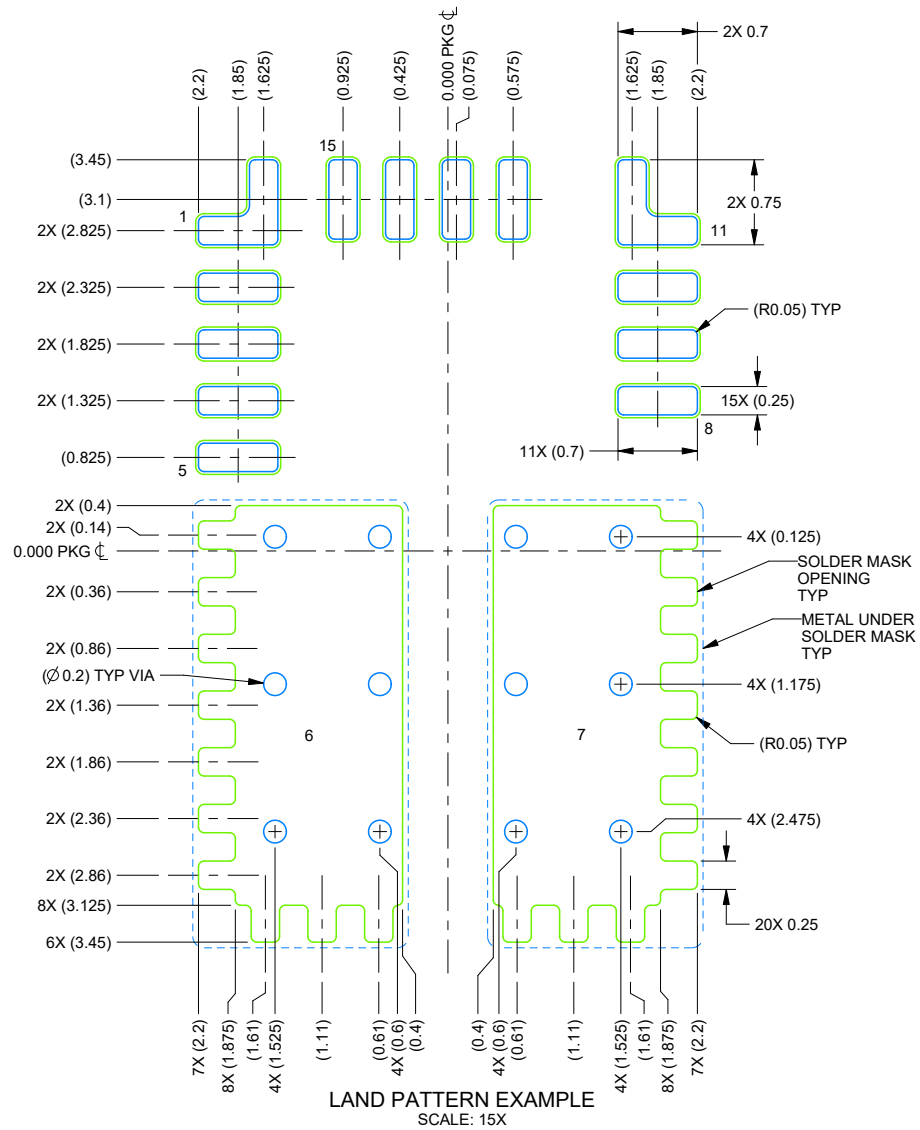
1. All linear dimensions are in millimeters. Any dimensions in parenthesis are for reference only. Dimensioning and tolerancing per ASME Y14.5M.
2. This drawing is subject to change without notice.
3. The package thermal pad must be soldered to the printed circuit board for thermal and mechanical performance.

EXAMPLE BOARD LAYOUT

VBE0015A

VQFN-FCRLF - 0.85 mm max height

PLASTIC QUAD FLATPACK - NO LEAD



4229772/A 06/2023

NOTES: (continued)

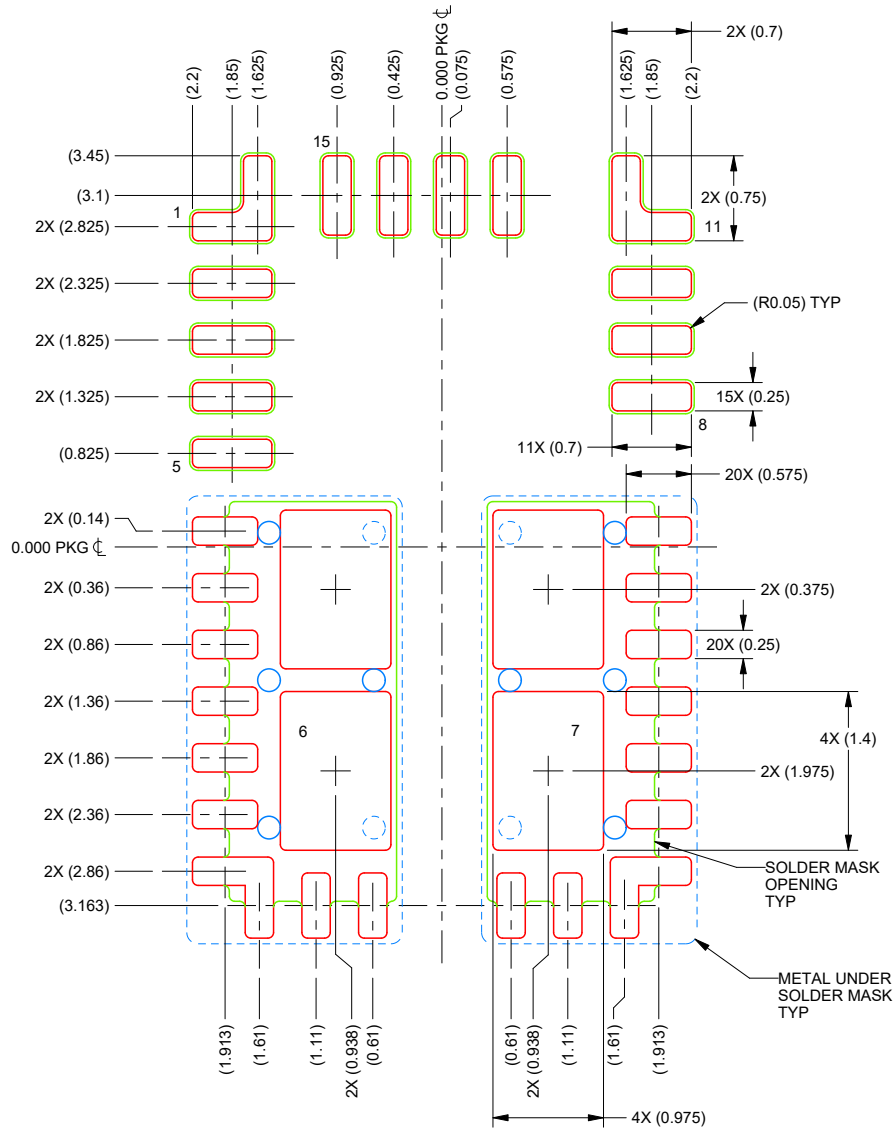
4. This package is designed to be soldered to a thermal pad on the board. For more information, see Texas Instruments literature number SLUA271 (www.ti.com/lit/slua271).
5. Vias are optional depending on application, refer to device data sheet. If any vias are implemented, refer to their locations shown on this view. It is recommended that vias under paste be filled, plugged or tented.

EXAMPLE STENCIL DESIGN

VBE0015A

VQFN-FCRLF - 0.85 mm max height

PLASTIC QUAD FLATPACK - NO LEAD



SOLDER PASTE EXAMPLE
 BASED ON 0.125 mm THICK STENCIL
 SCALE: 15X

PRINTED SOLDER COVERAGE BY AREA UNDER PACKAGE
 PADS 6 & 7: 74%

4229772/A 06/2023

NOTES: (continued)

6. Laser cutting apertures with trapezoidal walls and rounded corners may offer better paste release. IPC-7525 may have alternate design recommendations.

重要なお知らせと免責事項

テキサス・インスツルメンツは、技術データと信頼性データ(データシートを含みます)、設計リソース(リファレンス デザインを含みます)、アプリケーションや設計に関する各種アドバイス、Web ツール、安全性情報、その他のリソースを、欠陥が存在する可能性のある「現状のまま」提供しており、商品性および特定目的に対する適合性の黙示保証、第三者の知的財産権の非侵害保証を含むいかなる保証も、明示的または黙示的にかかわらず拒否します。

これらのリソースは、テキサス・インスツルメンツ製品を使用する設計の経験を積んだ開発者への提供を意図したものです。(1) お客様のアプリケーションに適したテキサス・インスツルメンツ製品の選定、(2) お客様のアプリケーションの設計、検証、試験、(3) お客様のアプリケーションに該当する各種規格や、その他のあらゆる安全性、セキュリティ、規制、または他の要件への確実な適合に関する責任を、お客様のみが単独で負うものとし、ます。

上記の各種リソースは、予告なく変更される可能性があります。これらのリソースは、リソースで説明されているテキサス・インスツルメンツ製品を使用するアプリケーションの開発の目的でのみ、テキサス・インスツルメンツはその使用をお客様に許諾します。これらのリソースに関して、他の目的で複製することや掲載することは禁止されています。テキサス・インスツルメンツや第三者の知的財産権のライセンスが付与されている訳ではありません。お客様は、これらのリソースを自身で使用した結果発生するあらゆる申し立て、損害、費用、損失、責任について、テキサス・インスツルメンツおよびその代理人を完全に補償するものとし、テキサス・インスツルメンツは一切の責任を拒否します。

テキサス・インスツルメンツの製品は、[テキサス・インスツルメンツの販売条件](#)、または [ti.com](https://www.ti.com) やかかるテキサス・インスツルメンツ製品の関連資料などのいずれかを通じて提供する適用可能な条項の下で提供されています。テキサス・インスツルメンツがこれらのリソースを提供することは、適用されるテキサス・インスツルメンツの保証または他の保証の放棄の拡大や変更を意味するものではありません。

お客様がいかなる追加条項または代替条項を提案した場合でも、テキサス・インスツルメンツはそれらに異議を唱え、拒否します。

郵送先住所：Texas Instruments, Post Office Box 655303, Dallas, Texas 75265
Copyright © 2025, Texas Instruments Incorporated