

## LMC66x CMOS デュアル オペアンプ

### 1 特長

- レール ツー レールの出力シング
- 2kΩ および 600Ω 負荷について動作を規定
- 高い電圧ゲイン: 126dB
- 低い入力オフセット電圧: 3mV
- 低いオフセット電圧ドリフト: 1.3μV/°C
- きわめて低い入力バイアス電流: 2fA
- 低い電圧ノイズ: 22nV/√Hz
- 入力同相範囲に V- を含む
- 4.75V~15.5V の動作範囲
- I<sub>SS</sub> = 400μA/アンプ、V+ に非依存
- スルーレート: 1.1V/μs

### 2 アプリケーション

- ハイインピーダンスのバッファまたはプリアンプ
- 高精度の電流 / 電圧コンバータ
- 長時間積分器
- サンプル / ホールド回路
- ピーク検出器
- 医療用計測装置
- 産業用制御
- 車載センサ

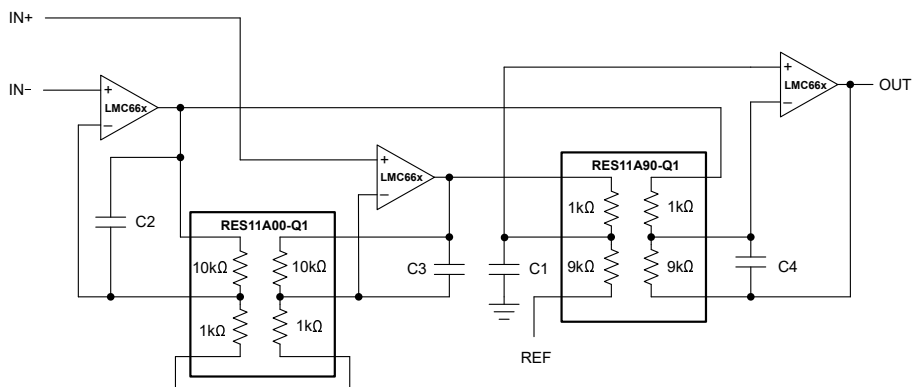
### 3 概要

デュアル LMC662 およびクワッド LMC660 (LMC66x) は、単一電源で動作するように設計され、TI の高度な CMOS プロセスで構築された CMOS オペアンプです。このデバイスは、5V~15V で動作し、レール ツー レールの出力シングに加えて、グランドを含む入力同相範囲に対応しています。これまで CMOS アンプでは性能の制限が問題になっていましたが、この設計では問題になりません。入力オフセット電圧 (V<sub>OS</sub>)、オフセットドリフト、広帯域ノイズ、および現実的な負荷 (2kΩ および 600Ω) に対する電圧ゲインは、すべて、広く受け入れられているバイポーラの同等品と等しいか、それを上回っています。

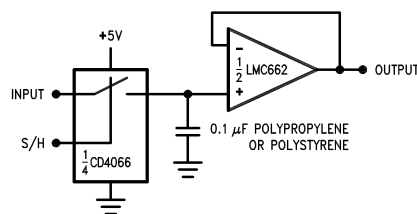
#### 製品情報

部品番号	チャンネル数	パッケージ (1)
LMC662	デュアル	D (SOIC, 8)
		P (PDIP, 8)
LMC660	クワッド	D (SOIC, 8)
		P (PDIP, 8)

(1) 供給されているすべてのパッケージについては、[セクション 9](#) を参照してください。



代表的なアプリケーション: RES11A を使った計装アンプ



代表的なアプリケーション: 低リークのサンプル / ホールド



## Table of Contents

<b>1 特長</b> .....	<b>1</b>	<b>6 Application and Implementation</b> .....	<b>13</b>
<b>2 アプリケーション</b> .....	<b>1</b>	6.1 Application Information.....	13
<b>3 概要</b> .....	<b>1</b>	6.2 Typical Applications.....	16
<b>4 Pin Configuration and Functions</b> .....	<b>2</b>	6.3 Layout.....	20
<b>5 Specifications</b> .....	<b>4</b>	<b>7 Device and Documentation Support</b> .....	<b>23</b>
5.1 Absolute Maximum Ratings.....	4	7.1 ドキュメントの更新通知を受け取る方法.....	23
5.2 ESD Ratings.....	4	7.2 サポート・リソース.....	23
5.3 Recommended Operating Conditions.....	4	7.3 静電気放電に関する注意事項.....	23
5.4 Thermal Information LMC662.....	5	7.4 用語集.....	23
5.5 Thermal Information LMC660.....	5	<b>8 Revision History</b> .....	<b>23</b>
5.6 Electrical Characteristics.....	6	<b>9 Mechanical, Packaging, and Orderable Information</b> ..	<b>24</b>
5.7 Typical Characteristics.....	10		

## 4 Pin Configuration and Functions

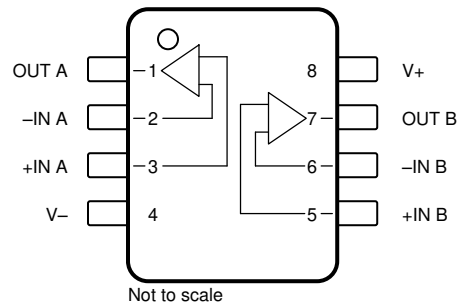


図 4-1. LMC662 D Package, 8-Pin SOIC, and P package, 8-Pin PDIP (Top View)

表 4-1. LMC662 Pin Functions

PIN		TYPE	DESCRIPTION
NAME	NO.		
+IN A	3	Input	Noninverting input, channel A
-IN A	2	Input	Inverting input, channel A
+IN B	5	Input	Noninverting input, channel B
-IN B	6	Input	Inverting input, channel B
OUT A	1	Output	Output, channel A
OUT B	7	Output	Output, channel B
V+	8	Power	Positive (highest) power supply
V-	4	Power	Negative (lowest) power supply

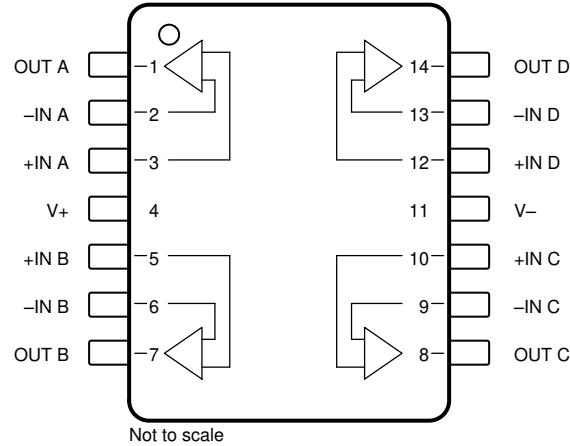


図 4-2. LMC660 D Package, 14-Pin SOIC, and P package, 14-Pin PDIP (Top View)

表 4-2. LMC660 Pin Functions

PIN		TYPE	DESCRIPTION
NAME	NO.		
+IN A	3	Input	Noninverting input, channel A
+IN B	5	Input	Noninverting input, channel B
+IN C	10	Input	Noninverting input, channel C
+IN D	12	Input	Noninverting input, channel D
-IN A	2	Input	Inverting input, channel A
-IN B	6	Input	Inverting input, channel B
-IN C	9	Input	Inverting input, channel C
-IN D	13	Input	Inverting input, channel D
OUT A	1	Output	Output, channel A
OUT B	7	Output	Output, channel B
OUT C	8	Output	Output, channel C
OUT D	14	Output	Output, channel D
V+	4	—	Positive (highest) power supply
V-	11	—	Negative (lowest) power supply

## 5 Specifications

### 5.1 Absolute Maximum Ratings

over operating free-air temperature range (unless otherwise noted)<sup>(1) (2)</sup>

		MIN	MAX	UNIT
Differential input voltage		±Supply Voltage		V
Supply voltage, $V_S = (V+) - (V-)$	Single supply	0	16	V
	Dual supply		±8	
Signal input pins	Voltage	$(V-) - 0.3$	$(V+) + 0.3$	V
	Current		±5	mA
Output pin current			±18	mA
Output short circuit	To V+	See <sup>(3)</sup>		
	To V-	See <sup>(4)</sup>		
Power supply pin	Current		35	mA
Power dissipation		See <sup>(5)</sup>		
Temperature	Operating, $T_A$	-40	150	°C
	Junction, $T_J$		150	
	Storage, $T_{stg}$	-65	150	
	Lead (soldering, 10 sec.)		260	

- Stresses beyond those listed under *Absolute Maximum Ratings* may cause permanent damage to the device. These are stress ratings only, which do not imply functional operation of the device at these or any other conditions beyond those indicated under *Recommended Operating Conditions*. Exposure to absolute-maximum-rated conditions for extended periods may affect device reliability.
- If Military/Aerospace specified devices are required, please contact the TI Sales Office/Distributors for availability and specifications.
- Do not connect output to V+ when V+ is greater than 13V or reliability will be adversely affected.
- Applies to both single-supply and split-supply operation. Continuous short circuit operation at elevated ambient temperature can result in exceeding the maximum allowed junction temperature of 150°C. Output currents in excess of ±30mA over long term may adversely affect reliability.
- The maximum power dissipation is a function of  $T_{J(max)}$ ,  $\theta_{JA}$ , and  $T_A$ . The maximum allowable power dissipation at any ambient temperature is  $P_D = (T_{J(max)} - T_A) / \theta_{JA}$

### 5.2 ESD Ratings

			VALUE	UNIT
$V_{(ESD)}$	Electrostatic discharge	Human-body model (HBM), per ANSI/ESDA/JEDEC JS-001 <sup>(1)</sup>	±1000	V

- JEDEC document JEP155 states that 500V HBM allows safe manufacturing with a standard ESD control process.

### 5.3 Recommended Operating Conditions

over operating free-air temperature range (unless otherwise noted)

		MIN	NOM	MAX	UNIT
Supply voltage, $V_S = (V+) - (V-)$	Single supply	4.75		15.5	V
	Dual supply	±2.375		±7.75	
Temperature range, $T_J$	LMC66xAI	-40		85	°C
	LMC66xC	0		70	
Power dissipation				See <sup>(1)</sup>	

- For operating at elevated temperatures the device must be derated based on the thermal resistance  $\theta_{JA}$  with  $P_D = (T_J - T_A) / \theta_{JA}$ .

### 5.4 Thermal Information LMC662

THERMAL METRIC <sup>(1)</sup>		LMC662		UNIT
		D (SOIC)	P (PDIP)	
		8 PINS	8 PINS	
$R_{\theta JA}$	Junction-to-ambient thermal resistance	165	101	°C/W

(1) For more information about traditional and new thermal metrics, see the [Semiconductor and IC Package Thermal Metrics](#) application report.

### 5.5 Thermal Information LMC660

THERMAL METRIC <sup>(1)</sup>		LMC660		UNIT
		D (SOIC)	P (PDIP)	
		14 PINS	14 PINS	
$R_{\theta JA}$	Junction-to-ambient thermal resistance	115	85	°C/W

(1) For more information about traditional and new thermal metrics, see the [Semiconductor and IC Package Thermal Metrics](#) application report.

### 5.6 Electrical Characteristics

at  $T_A = +25^\circ\text{C}$ ,  $V_S = 5\text{V}$  ( $V_- = 0\text{V}$ ),  $V_{CM} = 1.5\text{V}$ ,  $V_{OUT} = V_S / 2$ , and  $R_L = 1\text{M}\Omega$  connected to  $V_S / 2$  (unless otherwise noted)

PARAMETER		TEST CONDITIONS		MIN	TYP	MAX	UNIT	
<b>OFFSET VOLTAGE</b>								
$V_{OS}$	Input offset voltage	LMC66xAI	$T_A = -40^\circ\text{C}$ to $+85^\circ\text{C}$		$\pm 1$	$\pm 3$	mV	
						$\pm 3.3$		
		LMC66xC	$T_A = 0^\circ\text{C}$ to $70^\circ\text{C}$		$\pm 1$	$\pm 6$		
						$\pm 6.3$		
$dV_{OS}/dT$	Input offset voltage drift	LMC66xAI	$T_A = -40^\circ\text{C}$ to $+85^\circ\text{C}$		$\pm 1.3$		$\mu\text{V}/^\circ\text{C}$	
		LMC66xC	$T_A = 0^\circ\text{C}$ to $70^\circ\text{C}$		$\pm 1.3$			
PSRR	Power-supply rejection ratio	Positive, $5\text{V} \leq V_S \leq 15\text{V}$	LMC66xAI		75	85	dB	
			LMC66xAI	$T_A = -40^\circ\text{C}$ to $+85^\circ\text{C}$	72			
			LMC66xC		66	85		
			LMC66xC	$T_A = 0^\circ\text{C}$ to $70^\circ\text{C}$	63			
		Negative, $-10\text{V} \leq V_S \leq 0\text{V}$	LMC66xAI		84	94		
			LMC66xAI	$T_A = -40^\circ\text{C}$ to $+85^\circ\text{C}$	81			
			LMC66xC		74	94		
			LMC66xC	$T_A = 0^\circ\text{C}$ to $70^\circ\text{C}$	71			
<b>INPUT BIAS CURRENT</b>								
$I_B$	Input bias current				$\pm 2$		fA	
		LMC66xAI	$T_A = -40^\circ\text{C}$ to $+85^\circ\text{C}$			$\pm 4$	pA	
	LMC66xC	$T_A = 0^\circ\text{C}$ to $70^\circ\text{C}$			$\pm 2$			
$I_{OS}$	Input offset current				$\pm 1$		fA	
		LMC66xAI	$T_A = -40^\circ\text{C}$ to $+85^\circ\text{C}$			$\pm 2$	pA	
	LMC66xC	$T_A = 0^\circ\text{C}$ to $70^\circ\text{C}$			$\pm 1$			
<b>NOISE</b>								
$e_n$	Input voltage noise density	$f = 1\text{kHz}$			22		$\text{nV}/\sqrt{\text{Hz}}$	
$i_n$	Input current noise density	$f = 1\text{kHz}$			4		$\text{fA}/\sqrt{\text{Hz}}$	
THD	Total harmonic distortion	$f = 10\text{kHz}$ , $G = -10\text{V}/\text{V}$ , $R_L = 2\text{k}\Omega$ , $V_{OUT} = 8V_{pp}$ , $V_S = 15\text{V}$			0.2		%	
<b>INPUT VOLTAGE</b>								
$V_{CM}$	Common-mode voltage range	To positive rail, $5\text{V} \leq V_S \leq 15\text{V}$ , CMRR > 60dB			$(V+) - 1.9$	$(V+) - 2.3$	V	
			LMC66xAI, $T_A = -40^\circ\text{C}$ to $+85^\circ\text{C}$			$(V+) - 2.5$		
		LMC66xC, $T_A = 0^\circ\text{C}$ to $70^\circ\text{C}$			$(V+) - 2.6$			
				$(V-) - 0.1$	$(V-) - 0.4$			
		To negative rail, $5\text{V} \leq V_S \leq 15\text{V}$ , CMRR > 60dB	LMC66xAI, $T_A = -40^\circ\text{C}$ to $+85^\circ\text{C}$		$(V-)$			
			LMC66xC, $T_A = 0^\circ\text{C}$ to $70^\circ\text{C}$			$(V-)$		
				LMC66xAI		75	85	dB
				LMC66xAI, $T_A = -40^\circ\text{C}$ to $+85^\circ\text{C}$		72		
LMC66xC		66	85					
LMC66xC, $T_A = 0^\circ\text{C}$ to $70^\circ\text{C}$		63						
<b>INPUT IMPEDANCE</b>								
$R_{IN}$	Input resistance				>1		T $\Omega$	

## 5.6 Electrical Characteristics (続き)

at  $T_A = +25^\circ\text{C}$ ,  $V_S = 5\text{V}$  ( $V_- = 0\text{V}$ ),  $V_{CM} = 1.5\text{V}$ ,  $V_{OUT} = V_S / 2$ , and  $R_L = 1\text{M}\Omega$  connected to  $V_S / 2$  (unless otherwise noted)

PARAMETER		TEST CONDITIONS		MIN	TYP	MAX	UNIT
<b>OPEN-LOOP GAIN</b>							
$A_{OL}$	Open-loop voltage gain	Sourcing, $V_S = 15\text{V}$ , $V_{CM} = 7.5\text{V}$ , $7.5\text{V} < V_O < 11.5\text{V}$ , $R_L = 2\text{k}\Omega$	LMC66xAI	440	2000		V/mV
			LMC66xAI, $T_A = -40^\circ\text{C}$ to $+85^\circ\text{C}$	400			
			LMC66xC	300	2000		
			LMC66xC, $T_A = 0^\circ\text{C}$ to $70^\circ\text{C}$	200			
			LMC66xAI	180	500		
			LMC66xAI, $T_A = -40^\circ\text{C}$ to $+85^\circ\text{C}$	120			
			LMC66xC	90	500		
			LMC66xC, $T_A = 0^\circ\text{C}$ to $70^\circ\text{C}$	80			
		Sinking, $V_S = 15\text{V}$ , $V_{CM} = 7.5\text{V}$ , $2.5\text{V} < V_O < 7.5\text{V}$ , $R_L = 2\text{k}\Omega$	LMC66xAI	220	1000		
			LMC66xAI, $T_A = -40^\circ\text{C}$ to $+85^\circ\text{C}$	200			
			LMC66xC	150	1000		
			LMC66xC, $T_A = 0^\circ\text{C}$ to $70^\circ\text{C}$	100			
			LMC66xAI	100	250		
			LMC66xAI, $T_A = -40^\circ\text{C}$ to $+85^\circ\text{C}$	60			
			LMC66xC	50	250		
			LMC66xC, $T_A = 0^\circ\text{C}$ to $70^\circ\text{C}$	40			
Sourcing, $V_S = 15\text{V}$ , $V_{CM} = 7.5\text{V}$ , $7.5\text{V} < V_O < 11.5\text{V}$ , $R_L = 600\Omega$	LMC66xAI						
	LMC66xAI, $T_A = -40^\circ\text{C}$ to $+85^\circ\text{C}$						
	LMC66xC						
	LMC66xC, $T_A = 0^\circ\text{C}$ to $70^\circ\text{C}$						
Sinking, $V_S = 15\text{V}$ , $V_{CM} = 7.5\text{V}$ , $2.5\text{V} < V_O < 7.5\text{V}$ , $R_L = 600\Omega$	LMC66xAI						
	LMC66xAI, $T_A = -40^\circ\text{C}$ to $+85^\circ\text{C}$						
	LMC66xC						
	LMC66xC, $T_A = 0^\circ\text{C}$ to $70^\circ\text{C}$						
<b>FREQUENCY RESPONSE</b>							
GBW	Gain bandwidth product				1.4		MHz
SR	Slew rate <sup>(2)</sup>	$V_S = 15\text{V}$ , 10V step				1.1	V/ $\mu\text{s}$
			LMC66xAI, $T_A = -40^\circ\text{C}$ to $+85^\circ\text{C}$	0.6			
			LMC66xC, $T_A = 0^\circ\text{C}$ to $70^\circ\text{C}$	0.7			
$\theta_m$	Phase margin				50		$^\circ$
	Crosstalk	Dual and quad channel, $V_S = 15\text{V}$ , $R_L = 100\text{k}\Omega$ to $7.5\text{V}$ , $f = 1\text{kHz}$ , $V_{OUT} = 12V_{pp}$				130	dB

### 5.6 Electrical Characteristics (続き)

at  $T_A = +25^\circ\text{C}$ ,  $V_S = 5\text{V}$  ( $V_- = 0\text{V}$ ),  $V_{CM} = 1.5\text{V}$ ,  $V_{OUT} = V_S / 2$ , and  $R_L = 1\text{M}\Omega$  connected to  $V_S / 2$  (unless otherwise noted)

PARAMETER	TEST CONDITIONS	MIN	TYP	MAX	UNIT		
<b>OUTPUT</b>							
$V_O$	Voltage output swing	Positive rail, $V_S = 5\text{V}$ , $R_L = 2\text{k}\Omega$	LMC66xAI	4.82	4.87	V	
			LMC66xAI, $T_A = -40^\circ\text{C}$ to $+85^\circ\text{C}$	4.79			
			LMC66xC	4.78	4.87		
			LMC66xC, $T_A = 0^\circ\text{C}$ to $70^\circ\text{C}$	4.76			
		Negative rail, $V_S = 5\text{V}$ , $R_L = 2\text{k}\Omega$	LMC66xAI		0.10		0.15
			LMC66xAI, $T_A = -40^\circ\text{C}$ to $+85^\circ\text{C}$				0.17
			LMC66xC		0.10		0.19
			LMC66xC, $T_A = 0^\circ\text{C}$ to $70^\circ\text{C}$				0.21
		Positive rail, $V_S = 5\text{V}$ , $R_L = 600\Omega$	LMC66xAI	4.41	4.61		
			LMC66xAI, $T_A = -40^\circ\text{C}$ to $+85^\circ\text{C}$	4.31			
			LMC66xC	4.27	4.61		
			LMC66xC, $T_A = 0^\circ\text{C}$ to $70^\circ\text{C}$	4.21			
		Negative rail, $V_S = 5\text{V}$ , $R_L = 600\Omega$	LMC66xAI		0.30		0.50
			LMC66xAI, $T_A = -40^\circ\text{C}$ to $+85^\circ\text{C}$				0.56
			LMC66xC		0.30		0.63
			LMC66xC, $T_A = 0^\circ\text{C}$ to $70^\circ\text{C}$				0.69
		Positive rail, $V_S = 15\text{V}$ , $R_L = 2\text{k}\Omega$	LMC66xAI	14.50	14.63		
			LMC66xAI, $T_A = -40^\circ\text{C}$ to $+85^\circ\text{C}$	14.44			
			LMC66xC	14.37	14.63		
			LMC66xC, $T_A = 0^\circ\text{C}$ to $70^\circ\text{C}$	14.32			
		Negative rail, $V_S = 15\text{V}$ , $R_L = 2\text{k}\Omega$	LMC66xAI		0.26		0.35
			LMC66xAI, $T_A = -40^\circ\text{C}$ to $+85^\circ\text{C}$				0.40
			LMC66xC		0.26		0.44
			LMC66xC, $T_A = 0^\circ\text{C}$ to $70^\circ\text{C}$				0.48
		Positive rail, $V_S = 15\text{V}$ , $R_L = 600\Omega$	LMC66xAI	13.35	13.90		
			LMC66xAI, $T_A = -40^\circ\text{C}$ to $+85^\circ\text{C}$	13.15			
			LMC66xC	12.92	13.90		
			LMC66xC, $T_A = 0^\circ\text{C}$ to $70^\circ\text{C}$	12.76			
		Negative rail, $V_S = 15\text{V}$ , $R_L = 600\Omega$	LMC66xAI		0.79		1.16
			LMC66xAI, $T_A = -40^\circ\text{C}$ to $+85^\circ\text{C}$				1.32
			LMC66xC		0.79		1.45
			LMC66xC, $T_A = 0^\circ\text{C}$ to $70^\circ\text{C}$				1.58



## 5.6 Electrical Characteristics (続き)

at  $T_A = +25^\circ\text{C}$ ,  $V_S = 5\text{V}$  ( $V_- = 0\text{V}$ ),  $V_{CM} = 1.5\text{V}$ ,  $V_{OUT} = V_S / 2$ , and  $R_L = 1\text{M}\Omega$  connected to  $V_S / 2$  (unless otherwise noted)

PARAMETER		TEST CONDITIONS		MIN	TYP	MAX	UNIT
$I_{SC}$	Short-circuit current	Sourcing, $V_S = 5\text{V}$ , $V_{OUT} = 0\text{V}$	LMC66xAI	16	22		mA
			LMC66xAI, $T_A = -40^\circ\text{C}$ to $+85^\circ\text{C}$	14			
			LMC66xC	13	22		
			LMC66xC, $T_A = 0^\circ\text{C}$ to $70^\circ\text{C}$	11			
		Sinking, $V_S = 5\text{V}$ , $V_{OUT} = 13\text{V}$	LMC66xAI	16	21		
			LMC66xAI, $T_A = -40^\circ\text{C}$ to $+85^\circ\text{C}$	14			
			LMC66xC	13	21		
			LMC66xC, $T_A = 0^\circ\text{C}$ to $70^\circ\text{C}$	11			
		Sourcing, $V_S = 15\text{V}$ , $V_{OUT} = 0\text{V}$	LMC66xAI	28	40		
			LMC66xAI, $T_A = -40^\circ\text{C}$ to $+85^\circ\text{C}$	25			
			LMC66xC	23	40		
			LMC66xC, $T_A = 0^\circ\text{C}$ to $70^\circ\text{C}$	21			
		Sinking, $V_S = 15\text{V}$ , $V_{OUT} = 13\text{V}^{(1)}$	LMC66xAI	28	39		
			LMC66xAI, $T_A = -40^\circ\text{C}$ to $+85^\circ\text{C}$	24			
			LMC66xC	23	39		
			LMC66xC, $T_A = 0^\circ\text{C}$ to $70^\circ\text{C}$	20			
<b>POWER SUPPLY</b>							
$I_Q$	Quiescent current per amplifier	LMC662 $V_{OUT} = 7.5\text{V}$ , $V_S = 15\text{V}$	LMC662AI		375	650	$\mu\text{A}$
			LMC662AI, $T_A = -40^\circ\text{C}$ to $+85^\circ\text{C}$			750	
			LMC662C		375	800	
			LMC662C, $T_A = 0^\circ\text{C}$ to $70^\circ\text{C}$			900	
		LMC660 $V_{OUT} = 7.5\text{V}$ , $V_S = 15\text{V}$	LMC660AI		375	550	
			LMC660AI, $T_A = -40^\circ\text{C}$ to $+85^\circ\text{C}$			650	
			LMC660C		375	675	
			LMC660C, $T_A = 0^\circ\text{C}$ to $70^\circ\text{C}$			725	

- (1) Do not connect output to  $V_+$  when  $V_+$  is greater than 13V or reliability can be adversely affected.
- (2) Specification limit established from device population bench system measurements across multiple lots. Number specified is the slower of the positive and negative slew rates.

## 5.7 Typical Characteristics

at  $T_A = 25^\circ\text{C}$ ,  $V_S = \pm 7.5\text{V}$ ,  $V_{OUT} = \text{mid-supply}$ ,  $R_L \geq 1\text{M}\Omega$  (unless otherwise specified)

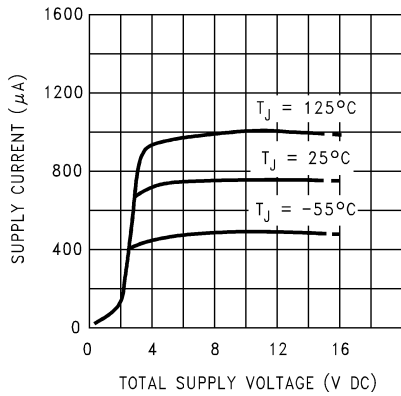


图 5-1. Supply Current vs Supply Voltage

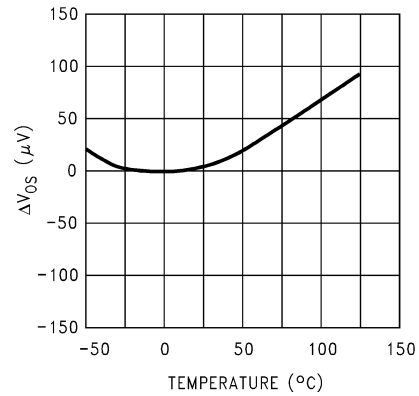


图 5-2. Offset Voltage

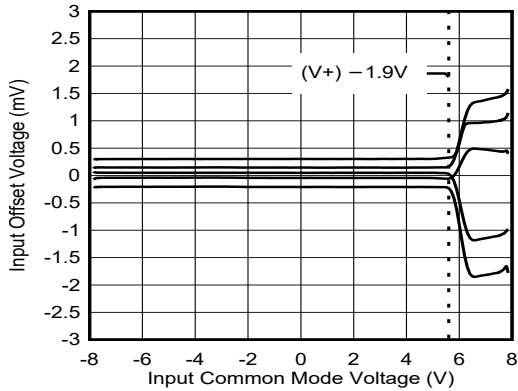


图 5-3. Offset Voltage vs Common-Mode Voltage

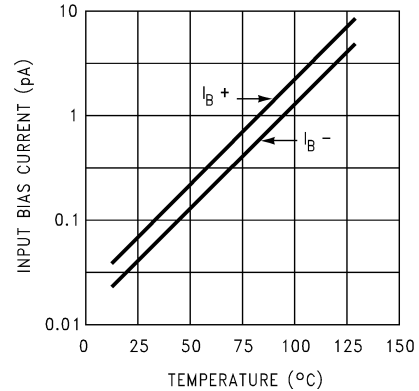


图 5-4. Input Bias Current

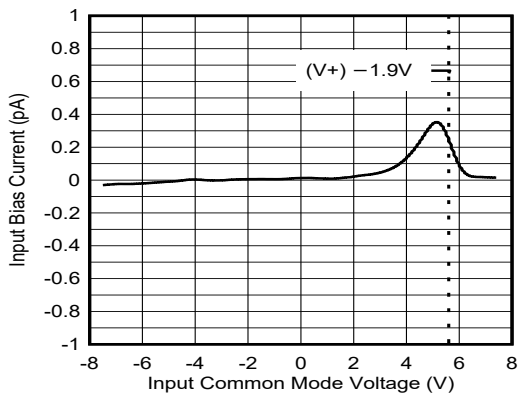


图 5-5. Input Bias Current vs Input Common-Mode Voltage

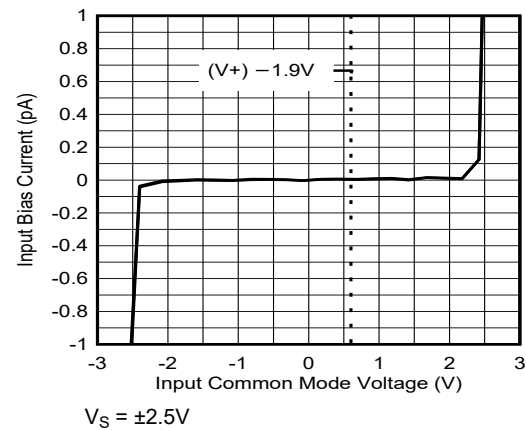
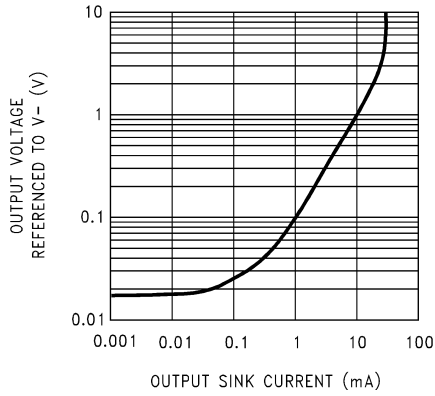


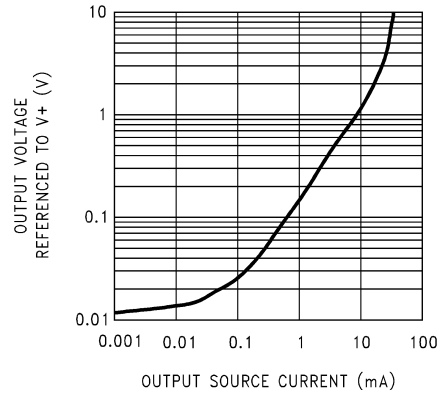
图 5-6. Input Bias Current vs Input Common-Mode Voltage

### 5.7 Typical Characteristics (continued)

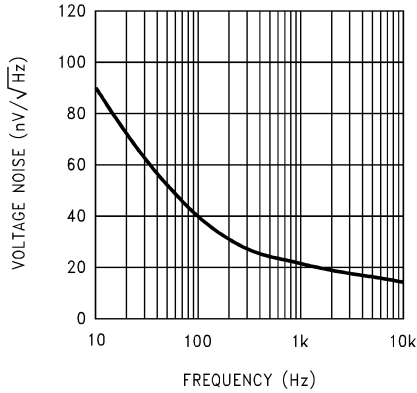
at  $T_A = 25^\circ\text{C}$ ,  $V_S = \pm 7.5\text{V}$ ,  $V_{OUT} = \text{mid-supply}$ ,  $R_L \geq 1\text{M}\Omega$  (unless otherwise specified)



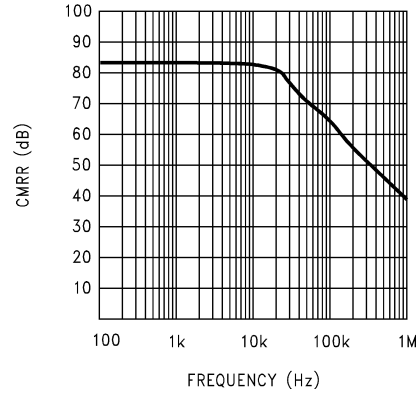
5-7. Output Characteristics Current Sinking



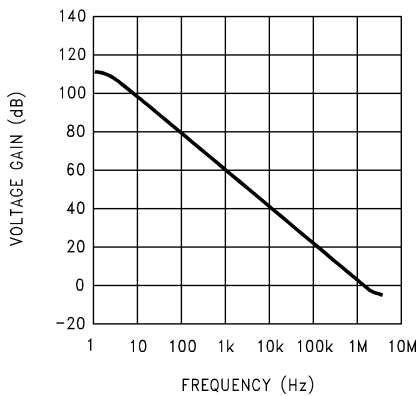
5-8. Output Characteristics Current Sourcing



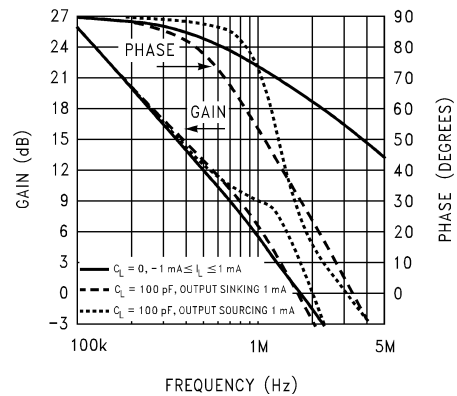
5-9. Input Voltage Noise vs Frequency



5-10. CMRR vs Frequency



5-11. Open-Loop Frequency Response



5-12. Frequency Response vs Capacitive Load

### 5.7 Typical Characteristics (continued)

at  $T_A = 25^\circ\text{C}$ ,  $V_S = \pm 7.5\text{V}$ ,  $V_{OUT} = \text{mid-supply}$ ,  $R_L \geq 1\text{M}\Omega$  (unless otherwise specified)

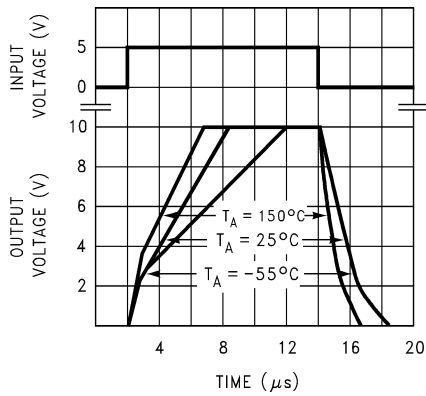
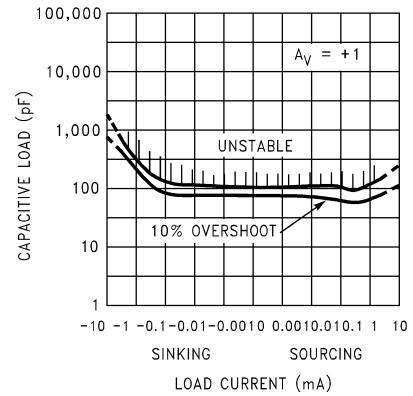
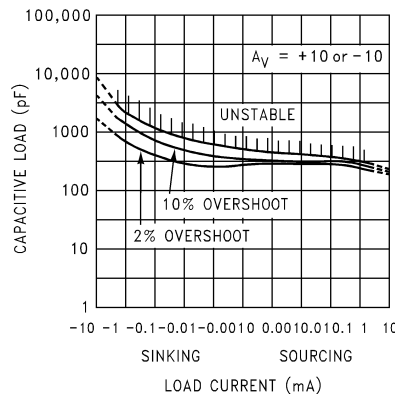


图 5-13. Noninverting Large-Signal Pulse Response



Avoid resistive loads < 500Ω because of possible instability

图 5-14. Stability vs Capacitive Load



Avoid resistive loads < 500Ω because of possible instability

图 5-15. Stability vs Capacitive Load

## 6 Application and Implementation

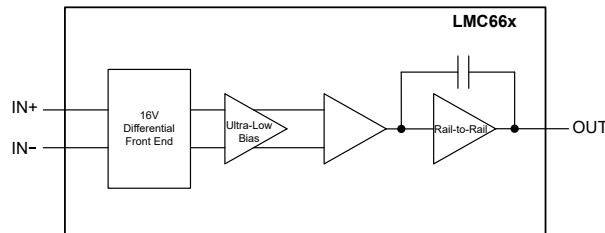
### 注

以下のアプリケーション情報は、TI の製品仕様に含まれるものではなく、TI ではその正確性または完全性を保証いたしません。個々の目的に対する製品の適合性については、お客様の責任で判断していただくこととなります。お客様は自身の設計実装を検証しテストすることで、システムの機能を確認する必要があります。

### 6.1 Application Information

#### 6.1.1 Amplifier Topology

The topology chosen for the LMC66x, shown in [Figure 6-1](#), is unconventional compared to general-purpose op amps. The LMC66x incorporates novel op amp design that enables a wide input common-mode range and rail to rail output swing even when driving a large load. The input common-mode range includes ground, making the LMC66x an excellent choice for single supply applications. While the LMC66x supports both a wide supply and common-mode voltage range, large input common-mode voltage can cause an increase in input bias current.



**Figure 6-1. LMC66x Circuit Topology (Each Amplifier)**

The large signal voltage gain while sourcing is comparable to traditional bipolar op amps, even with a 600Ω load. The gain while sinking is higher than most CMOS op amps, due to the additional gain stage; however, under heavy load (600Ω) the gain is reduced as indicated in the *Electrical Characteristics*.

#### 6.1.2 Compensating Input Capacitance

The high input resistance of the LMC66x op amps allows the use of large feedback and source resistor values without losing gain accuracy due to loading. However, the circuit can be especially sensitive to the layout when these large-value resistors are used.

Every amplifier has some capacitance between each input and ac ground, and also some differential capacitance between the inputs. When the feedback network around an amplifier is resistive, this input capacitance (along with any additional capacitance due to circuit board traces, the socket, and so on) and the feedback resistors create a pole in the feedback path. In [Figure 6-2](#), the frequency of this pole is:

$$f_p = \frac{1}{2\pi R_p C_S} \quad (1)$$

where

- $C_S$  is the total capacitance at the inverting input, including amplifier input capacitance and any stray capacitance from the IC socket (if one is used), circuit board traces, and so on.
- $R_p$  is the parallel combination of  $R_F$  and  $R_{IN}$ .

This formula, as well as the next formula, apply to inverting and noninverting op amp configurations.

When the feedback resistors are smaller than a few kΩ, the frequency of the feedback pole can be quite high, because  $C_S$  is generally less than 10pF. If the frequency of the feedback pole is much greater than the *ideal* closed-loop bandwidth (the nominal closed-loop bandwidth in the absence of  $C_S$ ), the pole can have a negligible effect on stability, as only a small amount of phase shift is added.

However, if the feedback pole is less than approximately 6 to 10 times the *ideal* -3dB frequency, connect a feedback capacitor,  $C_F$ , between the output and the inverting input of the op amp. This condition can also be stated in terms of the amplifier low-frequency noise gain. To maintain stability, a feedback capacitor is probably needed if:

$$\left(\frac{R_F}{R_{IN}} + 1\right) \leq \sqrt{6 \times 2\pi \times GBW \times R_F \times C_S} \quad (2)$$

where

$\left(\frac{R_F}{R_{IN}} + 1\right)$  is the amplifier low-frequency noise gain and GBW is the amplifier gain bandwidth product. An amplifier low-frequency noise gain is represented by the following formula, regardless of whether the amplifier is being used in an inverting or noninverting mode:

$$\left(\frac{R_F}{R_{IN}} + 1\right) \quad (3)$$

A feedback capacitor is more likely to be needed when the noise gain is low, the feedback resistor is large, or both.

If the previous condition is met (indicating that a feedback capacitor is probably needed), and the noise gain is large enough that:

$$\left(\frac{R_F}{R_{IN}} + 1\right) \leq 2\sqrt{GBW \times R_F \times C_S} \quad (4)$$

the following value of feedback capacitor is recommended:

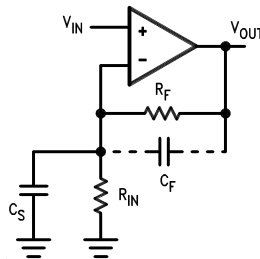
$$C_F = \frac{C_S}{2\left(\frac{R_F}{R_{IN}} + 1\right)} \quad (5)$$

If  $\left(\frac{R_F}{R_{IN}} + 1\right) < 2\sqrt{GBW \times R_F \times C_S}$ , then set the feedback capacitor to:

$$C_F = \sqrt{\frac{C_S}{GBW \times R_F}} \quad (6)$$

These capacitor values are usually significantly smaller than those given by the older, more conservative formula:

$$C_F = \frac{C_S R_{IN}}{R_F} \quad (7)$$



$C_S$  consists of the amplifier input capacitance plus any stray capacitance from the circuit board and socket.  $C_F$  compensates for the pole caused by  $C_S$  and the feedback resistor.

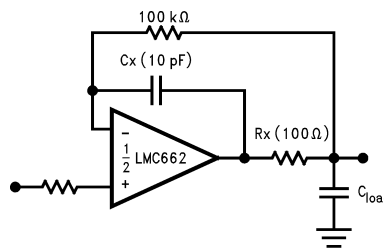
図 6-2. General Operational Amplifier Circuit

Using the smaller capacitors provides much higher bandwidth with little degradation of transient response. In any of the previous cases, the use of a somewhat larger feedback capacitor can be necessary to allow for unexpected stray capacitance, or to tolerate additional phase shifts in the loop, or excessive capacitive load, or to decrease the noise or bandwidth, or simply because the particular circuit implementation needs more feedback capacitance to be sufficiently stable. For example, a printed circuit board (PCB) stray capacitance can be larger or smaller than the breadboard stray capacitance, so the actual preferred value for  $C_F$  can be different from the one estimated using the breadboard. In most cases, check the value of  $C_F$  on the actual circuit, starting with the computed value.

### 6.1.3 Capacitive Load Tolerance

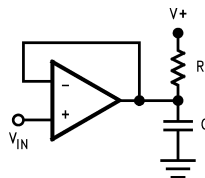
Like many other op amps, the LMC66x can oscillate when the applied load appears capacitive. The threshold of oscillation varies both with load and circuit gain. The configuration most sensitive to oscillation is a unity-gain follower. See also [セクション 5.7](#).

The load capacitance interacts with the op amp output resistance to create an additional pole. If this pole frequency is sufficiently low, the pole can degrade the op amp phase margin so that the amplifier is no longer stable at low gains. [図 6-3](#) shows that the addition of a small resistor ( $50\Omega$  to  $100\Omega$ ) in series with the op amp output, and a capacitor ( $5\text{pF}$  to  $10\text{pF}$ ) from inverting input to output pins, returns the phase margin to a safe value without interfering with lower-frequency circuit operation. Thus, larger values of capacitance can be tolerated without oscillation. In all cases, the output can ring heavily when the load capacitance is near the threshold for oscillation.



**図 6-3. Rx, Cx Improve Capacitive Load Tolerance**

Capacitive load driving capability is enhanced by using a pullup resistor to  $V+$ , as in [図 6-4](#). Typically, a pullup resistor conducting  $500\mu\text{A}$  or more significantly improves capacitive load responses. The value of the pullup resistor must be determined based on the current sinking capability of the amplifier with respect to the desired output swing. The open-loop gain of the amplifier can also be affected by the pullup resistor (see the *Electrical Characteristics*).

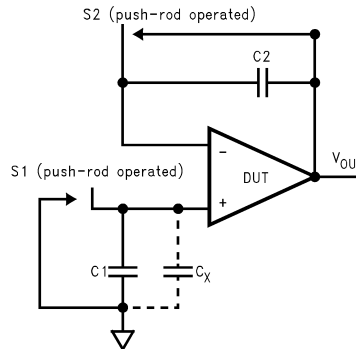


**図 6-4. Compensating for Large Capacitive Loads With a Pullup Resistor**

### 6.1.4 Bias Current Testing

The test method of [Figure 6-5](#) is appropriate for bench-testing bias current with reasonable accuracy. To understand the circuit operation, first close switch S2 momentarily. When S2 is opened, then:

$$I_{b-} = \frac{dV_{OUT}}{dt} \times C_2 \tag{8}$$



**Figure 6-5. Simple Input Bias Current Test Circuit**

A recommended capacitor for C<sub>2</sub> is a 5pF or 10pF silver mica, NPO ceramic, or air-dielectric. When determining the magnitude of I<sub>b-</sub>, take into account the leakage of the capacitor and socket. Leave switch S2 shorted most of the time, or else the dielectric absorption of the capacitor C<sub>2</sub> can cause errors.

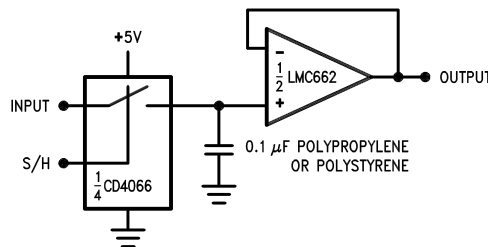
Similarly, if S1 is shorted momentarily (while leaving S2 shorted):

$$I_{b+} = \frac{dV_{OUT}}{dt} \times (C_1 + C_x) \tag{9}$$

where C<sub>x</sub> is the stray capacitance at the noninverting input.

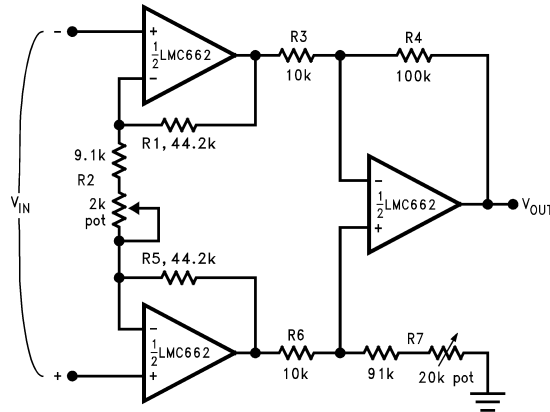
### 6.2 Typical Applications

Additional single-supply applications ideas can be found in the [LM358](#) data sheet. The LMC66x is pin-for-pin compatible with the LM358 and offers greater bandwidth and input resistance over the LM358. These features can improve the performance of many existing single-supply applications. Be aware, however, that the supply voltage range of the LM662 is smaller than that of the LM358.



**Figure 6-6. Low Leakage Sample and Hold**





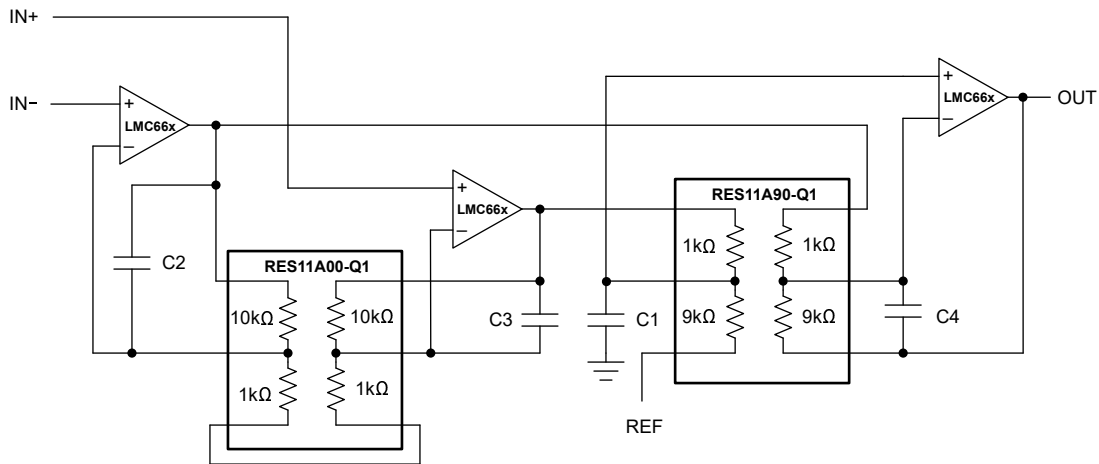
If  $R_1 = R_5$ ,  $R_3 = R_6$ , and  $R_4 = R_7$ ; then

$$\frac{V_{OUT}}{V_{IN}} = \frac{R_2 + 2R_1}{R_2} \times \frac{R_4}{R_3}$$

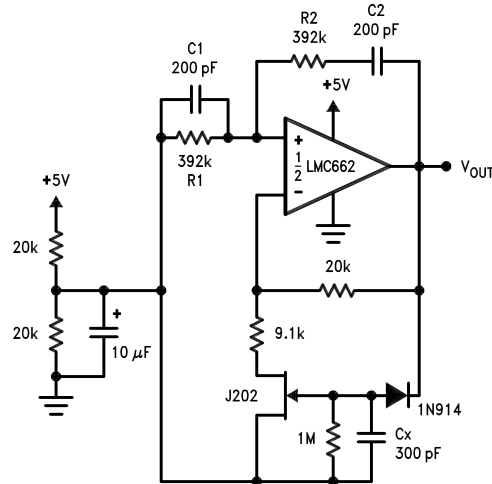
$\therefore A_V \approx 100$  for circuit shown.

### 图 6-7. Instrumentation Amplifier

Use low drift resistors for good CMRR performance over temperature. Matching of  $R_3$  to  $R_6$  and  $R_4$  to  $R_7$  affects CMRR. Gain can be adjusted through  $R_2$ . CMRR can be adjusted through  $R_7$ . An improved circuit can be designed using the [RES11A-Q1](#), low drift, precision matched resistor pairs. A precise gain of 99 is easily implemented as shown in [图 6-8](#).



### 图 6-8. Improved Instrumentation Amplifier With the RES11A



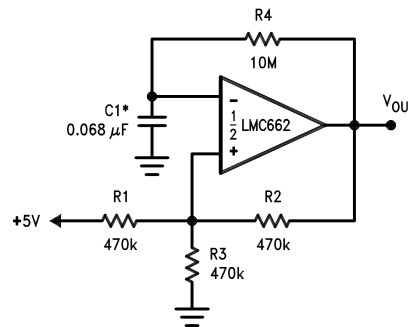
Oscillator frequency is determined by R1, R2, C1, and C2:

$$f_{OSC} = 1/2\pi RC$$

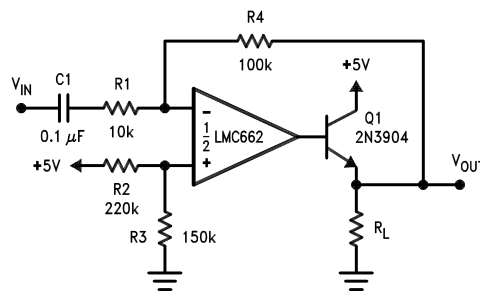
where R = R1 = R2 and C = C1 = C2.

### 6-9. Sine-Wave Oscillator

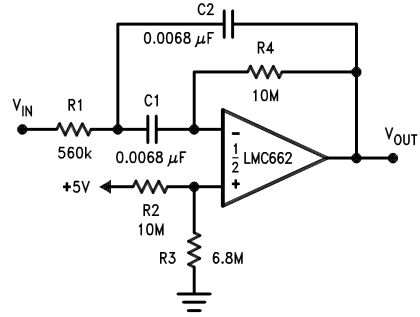
This circuit, as shown, oscillates at 2.0kHz with a peak-to-peak output swing of 4.5V.



### 6-10. 1Hz Square-Wave Oscillator

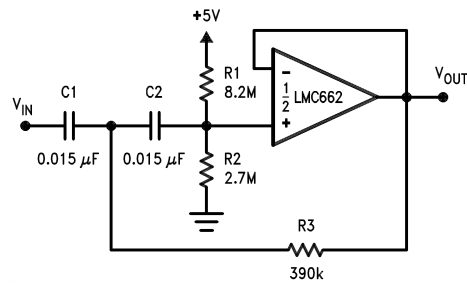


### 6-11. Power Amplifier



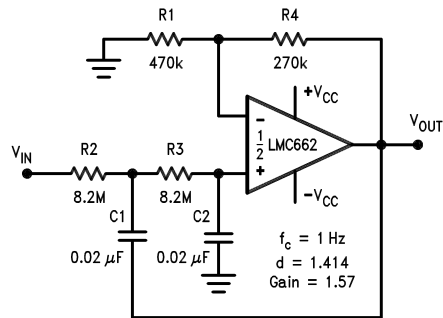
$f_0 = 10\text{Hz}$ ,  $Q = 2.1$ , gain =  $-8.8$

**6-12. 10Hz Band-Pass Filter**



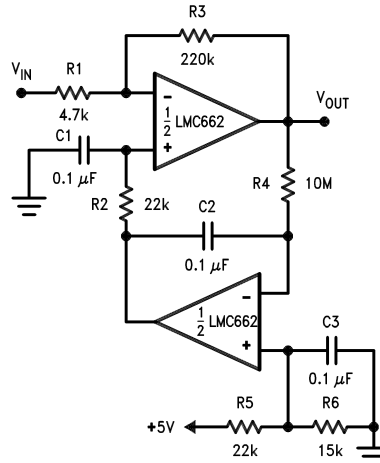
$f_c = 10\text{Hz}$ ,  $d = 0.895$ , gain = 1, 2dB pass-band ripple

**6-13. 10Hz High-Pass Filter**



$f_c = 1\text{Hz}$   
 $d = 1.414$   
 Gain = 1.57

**6-14. 1Hz Low Pass Filter (Maximally Flat, Dual Supply Only)**



Gain = -46.8 Output offset voltage reduced to the level of the input offset voltage of the bottom amplifier (typically 1mV).

图 6-15. High Gain Amplifier with Offset Voltage Reduction

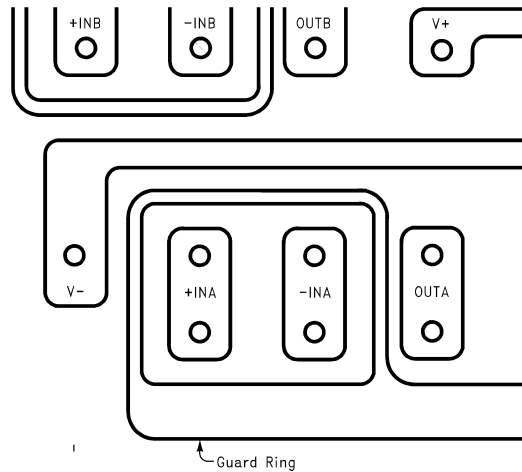
## 6.3 Layout

### 6.3.1 Layout Guidelines

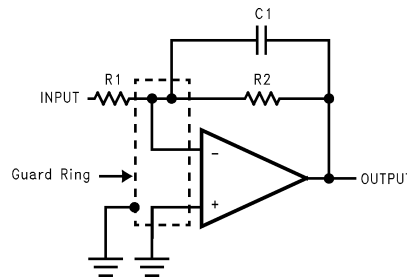
#### 6.3.1.1 Printed Circuit Board Layout for High-Impedance Work

Generally, any circuit that operates with less than 1000pA of leakage current requires special layout of the printed circuit board (PCB). To take advantage of the ultra-low bias current of the LMC66x, typically less than 40fA, an excellent layout is essential. Fortunately, the techniques for obtaining low leakages are quite simple. First, do not ignore the surface leakage of the PCB, even though the leakage can sometimes appear acceptably low, because under conditions of high humidity or dust or contamination, the surface leakage can be appreciable.

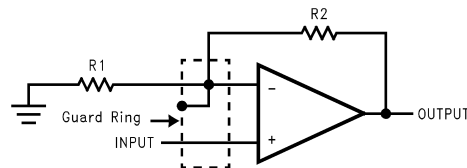
To minimize the effect of any surface leakage, lay out a ring of foil completely surrounding the LMC66x inputs and the terminals of capacitors, diodes, conductors, resistors, relay terminals, and so on, connected to the op amp inputs. See 图 6-16. To have a significant effect, place guard rings on both the top and bottom of the PCB. This PCB foil must then be connected to a voltage that is at the same voltage as the amplifier inputs, because no leakage current can flow between two points at the same potential. For example, a PCB trace-to-pad resistance of  $10^{12}\Omega$ , which is normally considered a very large resistance, can leak 5pA if the trace were a 5V bus adjacent to the pad of an input. The leakage causes a 100 times degradation from the LMC66x actual performance. However, if a guard ring is held within 5mV of the inputs, then even a resistance of  $10^{11}\Omega$  causes only 50fA of leakage current, or perhaps a minor (2:1) degradation of the amplifier performance. See 图 6-17, 图 6-18, and 图 6-19 for typical connections of guard rings for standard op amp configurations. If both inputs are active and at high impedance, the guard can be tied to ground and still provide some protection; see 图 6-20.



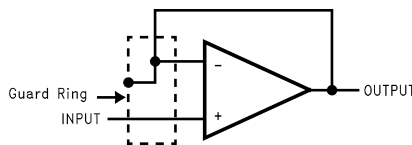
**6-16. Example, Using the LMC660, of Guard Ring in PCB Layout**



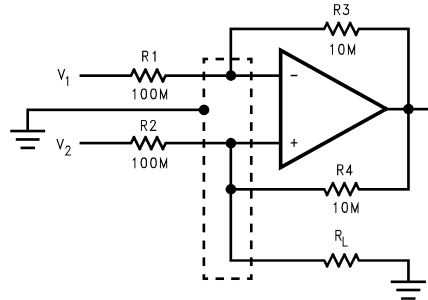
**6-17. Guard Ring Connections: Inverting Amplifier**



**6-18. Guard Ring Connections: Non-Inverting Amplifier**

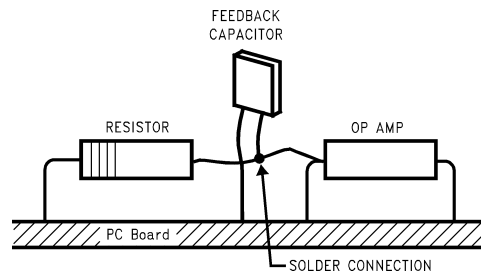


**6-19. Guard Ring Connections: Follower**



**図 6-20. Guard Ring Connections: Howland Current Pump**

Be aware that when laying out a PCB for the sake of just a few circuits is inappropriate, there is another technique that is even better than a guard ring on a PCB. Do not insert the amplifier input pin into the board at all; instead, bend the pin up in the air and use only air as an insulator because air is an excellent insulator. In this case, some of the advantages of PCB construction are lost, but the advantages of air are sometimes well worth the effort of using point-to-point up-in-the-air wiring. See also [図 6-21](#).



Input pins are lifted out of PCB and soldered directly to components. All other pins connected to PCB.

**図 6-21. Air Wiring**

## 7 Device and Documentation Support

TI offers an extensive line of development tools. Tools and software to evaluate the performance of the device, generate code, and develop solutions are listed below.

### 7.1 ドキュメントの更新通知を受け取る方法

ドキュメントの更新についての通知を受け取るには、[www.tij.co.jp](http://www.tij.co.jp) のデバイス製品フォルダを開いてください。[通知] をクリックして登録すると、変更されたすべての製品情報に関するダイジェストを毎週受け取ることができます。変更の詳細については、改訂されたドキュメントに含まれている改訂履歴をご覧ください。

### 7.2 サポート・リソース

テキサス・インスツルメンツ E2E™ サポート・フォーラムは、エンジニアが検証済みの回答と設計に関するヒントをエキスパートから迅速かつ直接得ることができる場所です。既存の回答を検索したり、独自の質問をしたりすることで、設計に必要な支援を迅速に得ることができます。

リンクされているコンテンツは、各寄稿者により「現状のまま」提供されるものです。これらはテキサス・インスツルメンツの仕様を構成するものではなく、必ずしもテキサス・インスツルメンツの見解を反映したものではありません。テキサス・インスツルメンツの[使用条件](#)を参照してください。

### Trademarks

テキサス・インスツルメンツ E2E™ is a trademark of Texas Instruments.  
すべての商標は、それぞれの所有者に帰属します。

### 7.3 静電気放電に関する注意事項



この IC は、ESD によって破損する可能性があります。テキサス・インスツルメンツは、IC を取り扱う際には常に適切な注意を払うことを推奨します。正しい取り扱いおよび設置手順に従わない場合、デバイスを破損するおそれがあります。

ESD による破損は、わずかな性能低下からデバイスの完全な故障まで多岐にわたります。精密な IC の場合、パラメータがわずかに変化するだけで公表されている仕様から外れる可能性があるため、破損が発生しやすくなっています。

### 7.4 用語集

[テキサス・インスツルメンツ用語集](#) この用語集には、用語や略語の一覧および定義が記載されています。

## 8 Revision History

資料番号末尾の英字は改訂を表しています。その改訂履歴は英語版に準じています。

Changes from Revision C (March 2013) to Revision D (February 2024)	Page
• クワッド チャネル LMC660 デバイスと関連コンテンツを追加.....	1
• 「特長」で低歪みを削除し、低ノイズを追加 .....	1
• 「概要」のテキストを更新.....	1
• Updated pin configuration diagram and added pin functions table.....	2
• Added <i>Thermal Information</i> .....	5
• Changed separate DC and AC <i>Electrical Characteristics</i> into single <i>Electrical Characteristics</i> .....	6
• Changed parameter names to conform to new standards in <i>Electrical Characteristics</i> .....	6
• Changed input current noise density from 0.0002pA/√Hz to 4fA/√Hz to align with modern noise test setup.....	6
• Changed total harmonic distortion specification from 0.01% to 0.2% in <i>Electrical Characteristics</i> .....	6
• Added footnote detailing how slew rate minimum specification is specified in <i>Electrical Characteristics</i> .....	6
• Added <i>Offset Voltage vs Input Common-Mode Voltage</i> and <i>Input Bias vs Common-Mode Voltage</i> curves ...	10
• Updated section text and circuit topology diagram in <i>Amplifier Topology</i> .....	13
• Added instrumentation amplifier circuit with RES11A in <i>Typical Single Supply Applications</i> .....	16

---

**Changes from Revision B (March 2013) to Revision C (March 2013)**

**Page**

- Changed layout of National Data Sheet to TI format..... **16**
- 

**9 Mechanical, Packaging, and Orderable Information**

The following pages include mechanical, packaging, and orderable information. This information is the most current data available for the designated devices. This data is subject to change without notice and revision of this document. For browser-based versions of this data sheet, refer to the left-hand navigation.



## 重要なお知らせと免責事項

テキサス・インスツルメンツは、技術データと信頼性データ(データシートを含みます)、設計リソース(リファレンス デザインを含みます)、アプリケーションや設計に関する各種アドバイス、Web ツール、安全性情報、その他のリソースを、欠陥が存在する可能性のある「現状のまま」提供しており、商品性および特定目的に対する適合性の黙示保証、第三者の知的財産権の非侵害保証を含むいかなる保証も、明示的または黙示的にかかわらず拒否します。

これらのリソースは、テキサス・インスツルメンツ製品を使用する設計の経験を積んだ開発者への提供を意図したものです。(1) お客様のアプリケーションに適したテキサス・インスツルメンツ製品の選定、(2) お客様のアプリケーションの設計、検証、試験、(3) お客様のアプリケーションに該当する各種規格や、その他のあらゆる安全性、セキュリティ、規制、または他の要件への確実な適合に関する責任を、お客様のみが単独で負うものとします。

上記の各種リソースは、予告なく変更される可能性があります。これらのリソースは、リソースで説明されているテキサス・インスツルメンツ製品を使用するアプリケーションの開発の目的でのみ、テキサス・インスツルメンツはその使用をお客様に許諾します。これらのリソースに関して、他の目的で複製することや掲載することは禁止されています。テキサス・インスツルメンツや第三者の知的財産権のライセンスが付与されている訳ではありません。お客様は、これらのリソースを自身で使用した結果発生するあらゆる申し立て、損害、費用、損失、責任について、テキサス・インスツルメンツおよびその代理人を完全に補償するものとし、テキサス・インスツルメンツは一切の責任を拒否します。

テキサス・インスツルメンツの製品は、[テキサス・インスツルメンツの販売条件](#)、または [ti.com](https://www.ti.com) やかかるテキサス・インスツルメンツ製品の関連資料などのいずれかを通じて提供する適用可能な条項の下で提供されています。テキサス・インスツルメンツがこれらのリソースを提供することは、適用されるテキサス・インスツルメンツの保証または他の保証の放棄の拡大や変更を意味するものではありません。

お客様がいかなる追加条項または代替条項を提案した場合でも、テキサス・インスツルメンツはそれらに異議を唱え、拒否します。

郵送先住所: Texas Instruments, Post Office Box 655303, Dallas, Texas 75265  
Copyright © 2024, Texas Instruments Incorporated

PACKAGING INFORMATION

Orderable Device	Status (1)	Package Type	Package Drawing	Pins	Package Qty	Eco Plan (2)	Lead finish/ Ball material (6)	MSL Peak Temp (3)	Op Temp (°C)	Device Marking (4/5)	Samples
LMC660AIM/NOPB	OBSOLETE	SOIC	D	14		TBD	Call TI	Call TI	-40 to 85	LMC660AIM	
LMC660AIMX/NOPB	ACTIVE	SOIC	D	14	2500	RoHS & Green	SN	Level-1-260C-UNLIM	-40 to 85	LMC660AIM	Samples
LMC660AIN/NOPB	OBSOLETE	PDIP	N	14		TBD	Call TI	Call TI	-40 to 85	LMC660AIN	
LMC660CM/NOPB	OBSOLETE	SOIC	D	14		TBD	Call TI	Call TI	0 to 70	LMC660CM	
LMC660CMX/NOPB	ACTIVE	SOIC	D	14	2500	RoHS & Green	SN	Level-1-260C-UNLIM	0 to 70	LMC660CM	Samples
LMC660CN/NOPB	OBSOLETE	PDIP	N	14		TBD	Call TI	Call TI	0 to 70	LMC660CN	
LMC662AIM/NOPB	OBSOLETE	SOIC	D	8		TBD	Call TI	Call TI	-40 to 85	LMC662AIM	
LMC662AIMX/NOPB	ACTIVE	SOIC	D	8	2500	RoHS & Green	NIPDAU   SN	Level-1-260C-UNLIM	-40 to 85	LMC662AIM	Samples
LMC662AIN/NOPB	ACTIVE	PDIP	P	8	40	RoHS & Green	NIPDAU	Level-1-NA-UNLIM	-40 to 85	LMC662AIN	Samples
LMC662CM/NOPB	OBSOLETE	SOIC	D	8		TBD	Call TI	Call TI	0 to 70	LMC662CM	
LMC662CMX/NOPB	ACTIVE	SOIC	D	8	2500	RoHS & Green	NIPDAU   SN	Level-1-260C-UNLIM	0 to 70	LMC662CM	Samples
LMC662CN/NOPB	ACTIVE	PDIP	P	8	40	RoHS & Green	NIPDAU	Level-1-NA-UNLIM	0 to 70	LMC662CN	Samples

(1) The marketing status values are defined as follows:

**ACTIVE:** Product device recommended for new designs.

**LIFEBUY:** TI has announced that the device will be discontinued, and a lifetime-buy period is in effect.

**NRND:** Not recommended for new designs. Device is in production to support existing customers, but TI does not recommend using this part in a new design.

**PREVIEW:** Device has been announced but is not in production. Samples may or may not be available.

**OBSOLETE:** TI has discontinued the production of the device.

(2) **RoHS:** TI defines "RoHS" to mean semiconductor products that are compliant with the current EU RoHS requirements for all 10 RoHS substances, including the requirement that RoHS substance do not exceed 0.1% by weight in homogeneous materials. Where designed to be soldered at high temperatures, "RoHS" products are suitable for use in specified lead-free processes. TI may reference these types of products as "Pb-Free".

**RoHS Exempt:** TI defines "RoHS Exempt" to mean products that contain lead but are compliant with EU RoHS pursuant to a specific EU RoHS exemption.

**Green:** TI defines "Green" to mean the content of Chlorine (Cl) and Bromine (Br) based flame retardants meet JS709B low halogen requirements of <=1000ppm threshold. Antimony trioxide based flame retardants must also meet the <=1000ppm threshold requirement.

- (3) MSL, Peak Temp. - The Moisture Sensitivity Level rating according to the JEDEC industry standard classifications, and peak solder temperature.
- (4) There may be additional marking, which relates to the logo, the lot trace code information, or the environmental category on the device.
- (5) Multiple Device Markings will be inside parentheses. Only one Device Marking contained in parentheses and separated by a "~" will appear on a device. If a line is indented then it is a continuation of the previous line and the two combined represent the entire Device Marking for that device.
- (6) Lead finish/Ball material - Orderable Devices may have multiple material finish options. Finish options are separated by a vertical ruled line. Lead finish/Ball material values may wrap to two lines if the finish value exceeds the maximum column width.

**Important Information and Disclaimer:**The information provided on this page represents TI's knowledge and belief as of the date that it is provided. TI bases its knowledge and belief on information provided by third parties, and makes no representation or warranty as to the accuracy of such information. Efforts are underway to better integrate information from third parties. TI has taken and continues to take reasonable steps to provide representative and accurate information but may not have conducted destructive testing or chemical analysis on incoming materials and chemicals. TI and TI suppliers consider certain information to be proprietary, and thus CAS numbers and other limited information may not be available for release.

In no event shall TI's liability arising out of such information exceed the total purchase price of the TI part(s) at issue in this document sold by TI to Customer on an annual basis.

**TAPE AND REEL INFORMATION**

**QUADRANT ASSIGNMENTS FOR PIN 1 ORIENTATION IN TAPE**


\*All dimensions are nominal

Device	Package Type	Package Drawing	Pins	SPQ	Reel Diameter (mm)	Reel Width W1 (mm)	A0 (mm)	B0 (mm)	K0 (mm)	P1 (mm)	W (mm)	Pin1 Quadrant
LMC660AIMX/NOPB	SOIC	D	14	2500	330.0	16.4	6.5	9.35	2.3	8.0	16.0	Q1
LMC660CMX/NOPB	SOIC	D	14	2500	330.0	16.4	6.5	9.35	2.3	8.0	16.0	Q1
LMC662AIMX/NOPB	SOIC	D	8	2500	330.0	12.4	6.4	5.2	2.1	8.0	12.0	Q1
LMC662CMX/NOPB	SOIC	D	8	2500	330.0	12.4	6.4	5.2	2.1	8.0	12.0	Q1
LMC662CMX/NOPB	SOIC	D	8	2500	330.0	12.4	6.5	5.4	2.0	8.0	12.0	Q1

**TAPE AND REEL BOX DIMENSIONS**


\*All dimensions are nominal

Device	Package Type	Package Drawing	Pins	SPQ	Length (mm)	Width (mm)	Height (mm)
LMC660AIMX/NOPB	SOIC	D	14	2500	356.0	356.0	35.0
LMC660CMX/NOPB	SOIC	D	14	2500	367.0	367.0	35.0
LMC662AIMX/NOPB	SOIC	D	8	2500	353.0	353.0	32.0
LMC662CMX/NOPB	SOIC	D	8	2500	353.0	353.0	32.0
LMC662CMX/NOPB	SOIC	D	8	2500	367.0	367.0	35.0

**TUBE**


\*All dimensions are nominal

Device	Package Name	Package Type	Pins	SPQ	L (mm)	W (mm)	T (μm)	B (mm)
LMC662AIN/NOPB	P	PDIP	8	40	502	14	11938	4.32
LMC662CN/NOPB	P	PDIP	8	40	502	14	11938	4.32



# D0014A

# PACKAGE OUTLINE

## SOIC - 1.75 mm max height

SMALL OUTLINE INTEGRATED CIRCUIT



4220718/A 09/2016

### NOTES:

1. All linear dimensions are in millimeters. Dimensions in parenthesis are for reference only. Dimensioning and tolerancing per ASME Y14.5M.
2. This drawing is subject to change without notice.
3. This dimension does not include mold flash, protrusions, or gate burrs. Mold flash, protrusions, or gate burrs shall not exceed 0.15 mm, per side.
4. This dimension does not include interlead flash. Interlead flash shall not exceed 0.43 mm, per side.
5. Reference JEDEC registration MS-012, variation AB.

# EXAMPLE BOARD LAYOUT

D0014A

SOIC - 1.75 mm max height

SMALL OUTLINE INTEGRATED CIRCUIT



LAND PATTERN EXAMPLE  
SCALE:8X



SOLDER MASK DETAILS

4220718/A 09/2016

NOTES: (continued)

- 6. Publication IPC-7351 may have alternate designs.
- 7. Solder mask tolerances between and around signal pads can vary based on board fabrication site.



# EXAMPLE STENCIL DESIGN

D0014A

SOIC - 1.75 mm max height

SMALL OUTLINE INTEGRATED CIRCUIT



SOLDER PASTE EXAMPLE  
BASED ON 0.125 mm THICK STENCIL  
SCALE:8X

4220718/A 09/2016

NOTES: (continued)

8. Laser cutting apertures with trapezoidal walls and rounded corners may offer better paste release. IPC-7525 may have alternate design recommendations.
9. Board assembly site may have different recommendations for stencil design.



D0008A

# PACKAGE OUTLINE

SOIC - 1.75 mm max height

SMALL OUTLINE INTEGRATED CIRCUIT



4214825/C 02/2019

NOTES:

- Linear dimensions are in inches [millimeters]. Dimensions in parenthesis are for reference only. Controlling dimensions are in inches. Dimensioning and tolerancing per ASME Y14.5M.
- This drawing is subject to change without notice.
- This dimension does not include mold flash, protrusions, or gate burrs. Mold flash, protrusions, or gate burrs shall not exceed .006 [0.15] per side.
- This dimension does not include interlead flash.
- Reference JEDEC registration MS-012, variation AA.

# EXAMPLE BOARD LAYOUT

D0008A

SOIC - 1.75 mm max height

SMALL OUTLINE INTEGRATED CIRCUIT



LAND PATTERN EXAMPLE  
 EXPOSED METAL SHOWN  
 SCALE:8X



SOLDER MASK DETAILS

4214825/C 02/2019

NOTES: (continued)

- 6. Publication IPC-7351 may have alternate designs.
- 7. Solder mask tolerances between and around signal pads can vary based on board fabrication site.

# EXAMPLE STENCIL DESIGN

D0008A

SOIC - 1.75 mm max height

SMALL OUTLINE INTEGRATED CIRCUIT



SOLDER PASTE EXAMPLE  
BASED ON .005 INCH [0.125 MM] THICK STENCIL  
SCALE:8X

4214825/C 02/2019

NOTES: (continued)

8. Laser cutting apertures with trapezoidal walls and rounded corners may offer better paste release. IPC-7525 may have alternate design recommendations.
9. Board assembly site may have different recommendations for stencil design.

P (R-PDIP-T8)

PLASTIC DUAL-IN-LINE PACKAGE



- NOTES:
- A. All linear dimensions are in inches (millimeters).
  - B. This drawing is subject to change without notice.
  - C. Falls within JEDEC MS-001 variation BA.

N (R-PDIP-T\*\*)

PLASTIC DUAL-IN-LINE PACKAGE

16 PINS SHOWN



- NOTES:
- A. All linear dimensions are in inches (millimeters).
  - B. This drawing is subject to change without notice.
  - Falls within JEDEC MS-001, except 18 and 20 pin minimum body length (Dim A).
  - The 20 pin end lead shoulder width is a vendor option, either half or full width.

## 重要なお知らせと免責事項

テキサス・インスツルメンツは、技術データと信頼性データ(データシートを含みます)、設計リソース(リファレンス デザインを含みます)、アプリケーションや設計に関する各種アドバイス、Web ツール、安全性情報、その他のリソースを、欠陥が存在する可能性のある「現状のまま」提供しており、商品性および特定目的に対する適合性の黙示保証、第三者の知的財産権の非侵害保証を含むいかなる保証も、明示的または黙示的にかかわらず拒否します。

これらのリソースは、テキサス・インスツルメンツ製品を使用する設計の経験を積んだ開発者への提供を意図したものです。(1) お客様のアプリケーションに適したテキサス・インスツルメンツ製品の選定、(2) お客様のアプリケーションの設計、検証、試験、(3) お客様のアプリケーションに該当する各種規格や、その他のあらゆる安全性、セキュリティ、規制、または他の要件への確実な適合に関する責任を、お客様のみが単独で負うものとし、ます。

上記の各種リソースは、予告なく変更される可能性があります。これらのリソースは、リソースで説明されているテキサス・インスツルメンツ製品を使用するアプリケーションの開発の目的でのみ、テキサス・インスツルメンツはその使用をお客様に許諾します。これらのリソースに関して、他の目的で複製することや掲載することは禁止されています。テキサス・インスツルメンツや第三者の知的財産権のライセンスが付与されている訳ではありません。お客様は、これらのリソースを自身で使用した結果発生するあらゆる申し立て、損害、費用、損失、責任について、テキサス・インスツルメンツおよびその代理人を完全に補償するものとし、テキサス・インスツルメンツは一切の責任を拒否します。

テキサス・インスツルメンツの製品は、[テキサス・インスツルメンツの販売条件](#)、または [ti.com](https://www.ti.com) やかかるテキサス・インスツルメンツ製品の関連資料などのいずれかを通じて提供する適用可能な条項の下で提供されています。テキサス・インスツルメンツがこれらのリソースを提供することは、適用されるテキサス・インスツルメンツの保証または他の保証の放棄の拡大や変更を意味するものではありません。

お客様がいかなる追加条項または代替条項を提案した場合でも、テキサス・インスツルメンツはそれらに異議を唱え、拒否します。

郵送先住所：Texas Instruments, Post Office Box 655303, Dallas, Texas 75265  
Copyright © 2025, Texas Instruments Incorporated