

# ISO1176T トランス・ドライバ内蔵、絶縁型 Profibus RS-485 トランシーバ

## 1 特長

- EN 50170 および TIA/EIA-485-A の要件を満たす (または上回る) 性能
- 最大 40Mbps の信号速度
- トランス・ドライバを内蔵した簡単な絶縁型電源設計
- 標準的な効率が 60% 超 ( $I_{LOAD} = 100mA$ ) - [SLUU471](#) を参照
- 2.1V を超える差動出力 (54Ω 負荷時)
- 10pF の低バス容量 (最大値)
- バスの開放、短絡、またはアイドル時のフェイルセーフを備えるレシーバ
- 50kV/μs の標準過渡耐性
- 安全および規制の認定
  - DIN EN IEC 60747-17 (VDE 0884-17) に準拠した 4242 V<sub>PK</sub> の基本絶縁
  - UL 1577 に準拠した 2500 V<sub>RMS</sub> での 1 分間の絶縁
  - CSA 60950-1 および CSA 61010-1 規格

## 2 アプリケーション

- Profibus®
- ファクトリ・オートメーション
- ネットワーク接続センサ
- モーター / モーション制御
- HVAC およびビルディング・オートメーション・ネットワーク
- ネットワーク接続セキュリティ・ステーション

## 3 概要

ISO1176T は、絶縁トランスに 1 次電圧を供給する発振器出力を内蔵した絶縁型差動ライン・トランシーバです。このデバイスは、グラウンド・ループが切断され、はるかに大きな同相電圧範囲で動作できるため、長い伝送ラインに理想的です。

各デバイスの対称型絶縁バリアは、ライン・トランシーバとロジックレベル・インターフェイスとの間で、VDE に従い、4242V<sub>PK</sub> で 60 秒間の絶縁を行うことがテスト済みです。

ガルバニック絶縁型差動バス・トランシーバは、マルチポイント・バス伝送ライン上での双方向データ通信を目的として設計された集積回路 (IC) です。このトランシーバは、ガルバニック絶縁型の差動ライン・ドライバと差動入力ライン・レシーバを組み合わせたものです。ドライバの ISODE ピン (ピン 10) のアクティブ HIGH イネーブルと絶縁されたイネーブル状態出力で方向の制御を行います。ドライバの差動出力とレシーバの差動入力、差動入出力 (I/O) バス・ポートを構成するように内部で接続されています。これらのポートは、ドライバがディセーブルされている場合、または  $V_{CC2} = 0$  の場合、バスへの負荷を最小化するように設計されています。

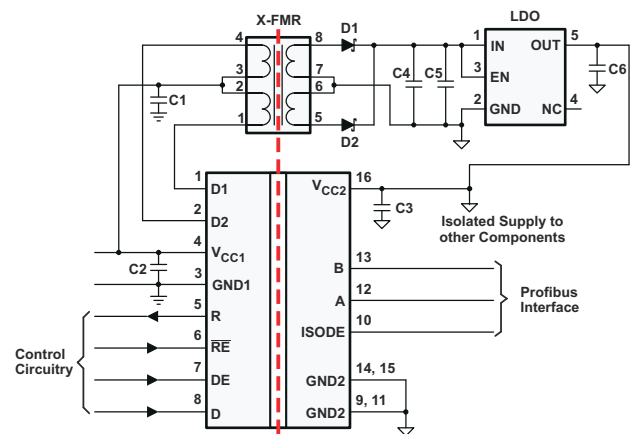
ケーブル接続されたすべての I/O は、各種ノイズ源からの電氣的ノイズの過渡現象にさらされる可能性があります。このようなノイズ過渡は、十分な大きさで持続時間を持つ場合、トランシーバや隣接する敏感な回路に損傷を与える可能性があります。ISO1176T は、データの破損や高価な制御回路の損傷のリスクを大幅に低減できます。

このデバイスは、-40°C ~ 85°C の周囲温度範囲で動作が規定されています。

### 製品情報(1)

部品番号	パッケージ	本体サイズ (公称)
ISO1176T	SOIC (16)	10.30mm × 7.50mm

- (1) 利用可能なすべてのパッケージについては、データシートの末尾にある注文情報を参照してください。



### 代表的なアプリケーション



## Table of Contents

<b>1 特長</b> .....	1	6.16 Insulation Characteristics Curves.....	13
<b>2 アプリケーション</b> .....	1	6.17 Typical Characteristics.....	14
<b>3 概要</b> .....	1	<b>7 Parameter Measurement Information</b> .....	16
<b>4 Revision History</b> .....	2	<b>8 Detailed Description</b> .....	23
<b>5 Pin Configuration and Functions</b> .....	4	8.1 Overview.....	23
Pin Functions.....	4	8.2 Functional Block Diagram.....	23
<b>6 Specifications</b> .....	5	8.3 Device Functional Modes.....	24
6.1 Absolute Maximum Ratings.....	5	<b>9 Application and Implementation</b> .....	27
6.2 ESD Ratings.....	5	9.1 Application Information.....	27
6.3 Recommended Operating Conditions.....	5	9.2 Typical Application.....	27
6.4 Thermal Information.....	7	<b>10 Power Supply Recommendations</b> .....	30
6.5 Power Ratings.....	7	<b>11 Layout</b> .....	30
6.6 Insulation Specifications.....	7	11.1 Layout Guidelines.....	30
6.7 Safety-Related Certifications.....	8	11.2 Layout Example.....	31
6.8 Safety Limiting Values.....	8	<b>12 Device and Documentation Support</b> .....	32
6.9 Electrical Characteristics: ISODE-Pin.....	8	12.1 Documentation Support.....	32
6.10 Electrical Characteristics: Driver.....	9	12.2 Community Resources.....	32
6.11 Electrical Characteristics: Receiver.....	9	12.3 Trademarks.....	32
6.12 Supply Current.....	11	12.4 静電気放電に関する注意事項.....	32
6.13 Transformer Driver Characteristics.....	11	12.5 用語集.....	32
6.14 Switching Characteristics: Driver.....	12	<b>13 Mechanical, Packaging, and Orderable Information</b> .....	32
6.15 Switching Characteristics: Receiver.....	12		

## 4 Revision History

資料番号末尾の英字は改訂を表しています。その改訂履歴は英語版に準じています。

<b>Changes from Revision G (October 2015) to Revision H (August 2023)</b>	<b>Page</b>
• VDE 規格を DIN EN IEC 60747-17 (VDE 0884-17) に変更.....	1
• Updated Thermal Characteristics, Safety Limiting Values, and Thermal Derating Curves to provide more accurate system-level thermal calculations.....	7
• Updated electrical and switching characteristics to match device performance.....	8

---

<b>Changes from Revision F (October 2012) to Revision G (October 2015)</b>	<b>Page</b>
• 「ピン構成および機能」セクション、「ESD 定格」表、「機能説明」セクション、「デバイスの機能モード」セクション、「アプリケーションと実装」セクション、「電源に関する推奨事項」セクション、「レイアウト」セクション、「デバイスおよびドキュメントのサポート」セクション、「メカニカル、パッケージ、および注文情報」セクションを追加.....	1
• VDE 規格を DIN V VDE V 0884-10 (VDE V 0884-10):2006-12 に変更.....	1

---

<b>Changes from Revision E (August 2011) to Revision F (October 2012)</b>	<b>Page</b>
• Changed From "ISO1176T Reference Design SLLU471" To: "ISO1176T Reference Design SLUU471".....	32

---

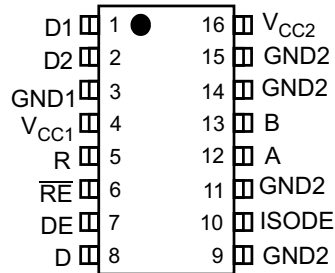
<b>Changes from Revision D (May 2011) to Revision E (August 2011)</b>	<b>Page</b>
• Deleted the MIN and MAX values for $t_{r\_D}$ , $t_{f\_D}$ and $t_{BBM}$ specifications in the Transformer Driver Characteristics table.....	11
• Changed test conditions from 1.9 V to 2.4 V, and changed TYP value from 230 to 350 for $f_{ST}$ specification in the Transformer Driver Characteristics table.....	11

---

<b>Changes from Revision C (February 2011) to Revision D (May 2011)</b>	<b>Page</b>
• <input checked="" type="checkbox"/> 9-2 を追加.....	1

- 
- Moved the Pin Description closer to the Pin drawing..... 4
-

## 5 Pin Configuration and Functions



**FIG 5-1. DW Package 16-Pin SOIC Top View**

### Pin Functions

PIN		I/O	DESCRIPTION
NAME	NO.		
A	12	I/O	Non-inverting Driver Output / Receiver Input
B	13	I/O	Inverting Driver Output / Receiver Input
D	8	I	Driver Input
D1	1	O	Transformer Driver Terminal 1, Open Drain Output
D2	2	O	Transformer Driver Terminal 2, Open Drain Output
DE	7	I	Driver Enable Input
GND1	3	—	Logic-side Ground
GND2	9, 11, 14, 15	—	Bus-side Ground. All pins are internally connected.
ISODE	10	O	Bus-side Driver Enable Output Status
R	5	O	Receiver Output
RE	6	I	Receiver Enable Input. This pin has complementary logic.
V <sub>CC1</sub>	4	—	Logic-side Power Supply
V <sub>CC2</sub>	16	—	Bus-side Power Supply

## 6 Specifications

### 6.1 Absolute Maximum Ratings

Over operating free-air temperature range (unless otherwise noted)<sup>(1)</sup>

			MIN	MAX	UNIT
V <sub>CC</sub>	Supply voltage <sup>(2)</sup>	V <sub>CC1</sub> , V <sub>CC2</sub>	-0.5	6	V
V <sub>O</sub>	Voltage at any bus I/O terminal		-9	14	V
	Voltage at D1, D2			14	V
V <sub>I</sub>	Voltage input	D, DE or RE	-0.5	6	V
I <sub>O</sub>	Receiver output current	Receiver output current	-10	10	mA
I <sub>D1</sub> , I <sub>D2</sub>	Transformer Driver Output Current			450	mA
T <sub>J</sub>	Junction temperature			150	°C
T <sub>stg</sub>	Storage temperature		-65	150	°C

- (1) Stresses beyond those listed under *Absolute Maximum Ratings* may cause permanent damage to the device. These are stress ratings only, which do not imply functional operation of the device at these or any other conditions beyond those indicated under *Recommended Operating Conditions*. Exposure to absolute-maximum-rated conditions for extended periods may affect device reliability.
- (2) All voltage values except differential I/O bus voltages are with respect to the referenced network ground terminal and are peak voltage values.

### 6.2 ESD Ratings

			VALUE	UNIT
V <sub>(ESD)</sub> Electrostatic Discharge	Human body model (HBM), per ANSI/ESDA/JEDEC JS-001 <sup>(1)</sup>	Bus pins and GND1	±6000	V
		Bus pins and GND2	±10000	V
		All pins	±4000	V
	Charged device model (CDM), per JEDEC specification JESD22-C101, all pins <sup>(2)</sup>		±1500	V
	Machine model (MM), ANSI/ESDS5.2-1996		±200	V

- (1) JEDEC document JEP155 states that 500-V HBM allows safe manufacturing with a standard ESD control process.
- (2) JEDEC document JEP157 states that 250-V CDM allows safe manufacturing with a standard ESD control process.

### 6.3 Recommended Operating Conditions

			MIN	NOM	MAX	UNIT
V <sub>CC</sub>	Logic-side supply voltage, V <sub>CC1</sub> (with respect to GND1)		3		5.5	V
V <sub>CC</sub>	Bus-side supply voltage, V <sub>CC2</sub> (with respect to GND2)		4.75		5.25	V
V <sub>CM</sub>	Voltage at either bus I/O terminal	A or B	-7		12	V
V <sub>IH</sub>	High-level input voltage	PV, RE	2		5.5	V
V <sub>IH</sub>	High-level input voltage	D, DE	0.7*V <sub>CC1</sub>			V
V <sub>IL</sub>	Low-level input voltage	PV, RE	0		0.8	V
V <sub>IL</sub>	Low-level input voltage	D, DE			0.3*V <sub>CC</sub>	V
V <sub>ID</sub>	Differential input voltage	A with respect to B	-12		12	V
I <sub>O</sub>	Output current	Driver	-70		70	mA
I <sub>O</sub>	Output current	Receiver	-8		8	mA
T <sub>A</sub>	Ambient temperature		-40		85	°C

**ISO1176T**

JAJSBH2H – OCTOBER 2010 – REVISED AUGUST 2023

		MIN	NOM	MAX	UNIT
$1 / t_{UI}$	Signaling Rate			40	Mbps

## 6.4 Thermal Information

THERMAL METRIC <sup>(1)</sup>		ISO1176T	UNIT
		DW (SOIC)	
		16 PINS	
$R_{\theta JA}$	Junction-to-ambient thermal resistance	76	°C/W
$R_{\theta JC(top)}$	Junction-to-case (top) thermal resistance	37.9	°C/W
$R_{\theta JB}$	Junction-to-board thermal resistance	44.6	°C/W
$\Psi_{JT}$	Junction-to-top characterization parameter	13.9	°C/W
$\Psi_{JB}$	Junction-to-board characterization parameter	37.9	°C/W
$R_{\theta JC(bot)}$	Junction-to-case (bottom) thermal resistance	-	°C/W

(1) For more information about traditional and new thermal metrics, see the [no](#).

## 6.5 Power Ratings

PARAMETER	TEST CONDITIONS	MIN	TYP	MAX	UNIT
$P_D$	Maximum power dissipation (both sides)			719	mW

$V_{CC1} = V_{CC2} = 5.25\text{ V}$ ,  $T_J = 150^\circ\text{C}$ ,  $C_L = 15\text{ pF}$ , Input at 20 MHz 50% duty cycle square wave

## 6.6 Insulation Specifications

PARAMETER		TEST CONDITIONS	VALUE	UNIT
			DW-16	
CLR	External clearance <sup>(1)</sup>	Shortest terminal-to-terminal distance through air	8	mm
CPG	External creepage <sup>(1)</sup>	Shortest terminal-to-terminal distance across the package surface	8	mm
DTI	Distance through the insulation	Minimum internal gap (internal clearance)	8	um
CTI	Comparative tracking index	DIN EN 60112 (VDE 0303-11); IEC 60112	>400	V
	Material group	According to IEC 60664-1	II	
	Overvoltage category per IEC 60664-1	Rated mains voltage $\leq 150\text{ V}_{RMS}$	I-IV	
		Rated mains voltage $\leq 300\text{ V}_{RMS}$	I-III	
<b>DIN EN IEC 60747-17 (VDE 0884-17) <sup>(2)</sup></b>				
$V_{IORM}$	Maximum repetitive peak isolation voltage	AC voltage (bipolar)	566	$V_{PK}$
$V_{IOTM}$	Maximum transient isolation voltage	$V_{TEST} = V_{IOTM}$ , $t = 60\text{ s}$ (qualification); $V_{TEST} = 1.2 \times V_{IOTM}$ , $t = 1\text{ s}$ (100% production)	4242	$V_{PK}$
$q_{pd}$	Apparent charge <sup>(3)</sup>	Method b; At routine test (100% production) $V_{ini} = 1.2 \times V_{IOTM}$ , $t_{ini} = 1\text{ s}$ ; $V_{pd(m)} = 1.5 \times V_{IORM}$ , $t_m = 1\text{ s}$	$\leq 5$	pC
$C_{IO}$	Barrier capacitance, input to output <sup>(4)</sup>	$V_{IO} = 0.4 \times \sin(2\pi ft)$ , $f = 1\text{ MHz}$	2	pF
$C_I$	Input capacitance to ground	$V_I = V_{CC} / 2 + 0.4 \times \sin(2\pi ft)$ , $f = 1\text{ MHz}$ , $V_{CC} = 5\text{ V}$	2	pF
$R_{IO}$	Isolation resistance <sup>(4)</sup>	$V_{IO} = 500\text{ V}$ , $T_A = 25^\circ\text{C}$	$>10^{12}$	$\Omega$
		$V_{IO} = 500\text{ V}$ , $T_S = 150^\circ\text{C}$	$>10^9$	
	Pollution degree		2	
	Climatic category		40/085/21	
<b>UL 1577</b>				
$V_{ISO}$	Maximum withstanding isolation voltage	$V_{TEST} = V_{ISO}$ , $t = 60\text{ s}$ (qualification), $V_{TEST} = 1.2 \times V_{ISO}$ , $t = 1\text{ s}$ (100% production)	2500	$V_{RMS}$

(1) Creepage and clearance requirements should be applied according to the specific equipment isolation standards of an application. Care should be taken to maintain the creepage and clearance distance of a board design to ensure that the mounting pads of the

isolator on the printed-circuit board do not reduce this distance. Creepage and clearance on a printed-circuit board become equal in certain cases. Techniques such as inserting grooves and/or ribs on a printed-circuit board are used to help increase these specifications.

- (2) This coupler is suitable for *basic electrical insulation* only within the safety ratings. Compliance with the safety ratings shall be ensured by means of suitable protective circuits.
- (3) Apparent charge is electrical discharge caused by a partial discharge (pd).
- (4) All pins on each side of the barrier tied together creating a two-terminal device.

## 6.7 Safety-Related Certifications

VDE	CSA	UL
Certified according to DIN EN IEC 60747-17 (VDE 0884-17)	Certified according to IEC 60950-1 and IEC 61010-1	Certified according to UL 1577 Component Recognition Program
Basic Insulation Maximum Transient Isolation Voltage, 4242 V <sub>PK</sub> Maximum Surge Isolation Voltage, 4000 V <sub>PK</sub> Maximum repetitive peak isolation Voltage, 566 V <sub>PK</sub>	3000 V <sub>RMS</sub> Isolation Rating; Reinforced insulation per CSA 61010-1 and IEC 61010-1 150 V <sub>RMS</sub> working voltage; Basic insulation per CSA 61010-1 and IEC 61010-1 600 V <sub>RMS</sub> working voltage; Basic insulation per CSA 60950-1 and IEC 60950-1 760 V <sub>RMS</sub> working voltage	Single protection, 2500 V <sub>RMS</sub>
Certificate number: 40047657	Master contract number: 220991	File number: E181974

## 6.8 Safety Limiting Values

Safety limiting<sup>(1)</sup> intends to minimize potential damage to the isolation barrier upon failure of input or output circuitry.

PARAMETER		TEST CONDITIONS	MIN	TYP	MAX	UNIT
<b>DW-16 PACKAGE</b>						
I <sub>S</sub>	Safety input, output, or supply current	R <sub>θJA</sub> = 76°C/W, V <sub>I</sub> = 5.5 V, T <sub>J</sub> = 150°C, T <sub>A</sub> = 25°C,			299	mA
T <sub>S</sub>	Maximum safety temperature				150	°C

- (1) The maximum safety temperature, T<sub>S</sub>, has the same value as the maximum junction temperature, T<sub>J</sub>, specified for the device. The I<sub>S</sub> and P<sub>S</sub> parameters represent the safety current and safety power respectively. The maximum limits of I<sub>S</sub> and P<sub>S</sub> should not be exceeded. These limits vary with the ambient temperature, T<sub>A</sub>.

The junction-to-air thermal resistance, R<sub>θJA</sub>, in the table is that of a device installed on a high-K test board for leaded surface-mount packages. Use these equations to calculate the value for each parameter:

$T_J = T_A + R_{\theta JA} \times P$ , where P is the power dissipated in the device.

$T_{J(max)} = T_S = T_A + R_{\theta JA} \times P_S$ , where T<sub>J(max)</sub> is the maximum allowed junction temperature.

$P_S = I_S \times V_I$ , where V<sub>I</sub> is the maximum input voltage.

## 6.9 Electrical Characteristics: ISODE-Pin

All typical specs are at V<sub>CC1</sub>=3.3V, V<sub>CC2</sub>=5V, T<sub>A</sub>=27°C, (Min/Max specs are over recommended operating conditions unless otherwise noted)

PARAMETER		TEST CONDITIONS	MIN	TYP	MAX	UNIT
V <sub>OH</sub>	High-level output voltage	I <sub>OH</sub> = -8 mA	V <sub>CC2</sub> - 0.8	4.6		V
		I <sub>OH</sub> = -20 μA	V <sub>CC2</sub> - 0.1	5		V
V <sub>OL</sub>	Low-level output voltage	I <sub>OL</sub> = -8 mA		0.2	0.4	V
		I <sub>OL</sub> = -20 μA		0	0.1	V



## 6.10 Electrical Characteristics: Driver

All typical specs are at  $V_{CC1}=3.3V$ ,  $V_{CC2}=5V$ ,  $T_A=27^\circ C$ , (Min/Max specs are over recommended operating conditions unless otherwise noted)

PARAMETER		TEST CONDITIONS	MIN	TYP	MAX	UNIT
$ V_{OD} $	Open-circuit differential output voltage	$ V_A-V_B $ , Figure 9	1.5		$V_{CC2}$	V
$ V_{OD(SS)} $	Steady state differential output voltage magnitude	See Figure 10 and Figure 14	2.1			V
	Steady state differential output voltage magnitude	Common mode loading with $V_{test}$ from -7V to 12V, See figure 10	2.1			V
$\Delta V_{ODSS} $	Change in differential output voltage between two states	$R_L = 54$ ohms, See Figure 12 and Figure 13	-200		200	mV
$V_{OC(SS)}$	Steady state common-mode output voltage	$R_L = 54$ ohms, See Figure 12 and Figure 13	2		3	V
$\Delta V_{OC(SS)}$	change in steady-state common-mode output voltage between two states	$R_L = 54$ ohms, See Figure 12 and Figure 13	-200		200	mV
$V_{OC(PP)}$	Peak-to-peak common-mode output voltage	$R_L = 54$ ohms, See Figure 12 and Figure 13		0.5		V
$V_{OD(RING)}$	Differential output voltage over and undershoot	See Figure 14 and Figure 17			10	% $V_{OD(PP)}$
$I_I$	Input current	D, DE at 0 V or $V_{CC1}$	-10		10	$\mu A$
$I_{O(OFF)}$	Output current with power off	$V_{CC2} = 0$ V	See receiver input current			$\mu A$
$I_{OZ}$	High-impedance state output current	DE at 0 V	See receiver input current			$\mu A$
$I_{OS(P)}$	Peak short circuit output current	DE at $V_{CC}$ , See Figure 15 and Figure 16: $V_{OS} = -7$ to 12 V	-250		250	mA
$I_{OS(SS)}$	Steady state short-circuit output current	DE at $V_{CC}$ , See Figure 15 and Figure 16: $V_{OS} = 12$ V, D at GND1			150	mA
		DE at $V_{CC}$ , See Figure 15 and Figure 16: $V_{OS} = -7$ V, D at $V_{CC1}$	-150			mA
$C_{OD}$	Differential output capacitance			7	18.8	pF
CMTI	Common-mode transient immunity	See Figure 27	25			kV/ $\mu s$

## 6.11 Electrical Characteristics: Receiver

All typical specs are at  $V_{CC1}=3.3V$ ,  $V_{CC2}=5V$ ,  $T_A=27^\circ C$ , (Min/Max specs are over recommended operating conditions unless otherwise noted)

PARAMETER		TEST CONDITIONS	MIN	TYP	MAX	UNIT
$V_{IT+}$	Positive-going input threshold voltage	$I_O = -8$ mA, See Figure 22		-80	-10	mV
$V_{IT-}$	Negative-going input threshold voltage	$I_O = 8$ mA, See Figure 22	-200	-120		mV
$V_{hys}$	Input hysteresis ( $V_{IT+} - V_{IT-}$ )			40		mV
$V_{OH}$	Output Voltage	$V_{CC1}$ at 3.3 V and $V_{CC2}$ at 5V, $V_{ID} = 200$ mV, $I_O = -8$ mA	$V_{CC1}-0.4$	3		V
$V_{OH}$	Output Voltage	$V_{CC1}$ at 3.3 V and $V_{CC2}$ at 5V, $V_{ID} = 200$ mV, $I_O = -20$ $\mu A$	$V_{CC1}-0.1$	3.3		V
$V_{OL}$	Output Voltage	$V_{CC1}$ at 3.3 V and $V_{CC2}$ at 5V, $V_{ID} = -200$ mV, $I_O = 8$ mA		0.2	0.4	V
$V_{OL}$	Output Voltage	$V_{CC1}$ at 3.3 V and $V_{CC2}$ at 5V, $V_{ID} = -200$ mV, $I_O = 20$ $\mu A$		0	0.1	V
$V_{OH}$	Output Voltage	$V_{CC1}$ at 5 V and $V_{CC2}$ at 5V, $V_{ID} = 200$ mV, $I_O = -8$ mA	$V_{CC1}-0.8$	4.6		V
$V_{OH}$	Output Voltage	$V_{CC1}$ at 5 V and $V_{CC2}$ at 5V, $V_{ID} = 200$ mV, $I_O = -20$ $\mu A$	$V_{CC1}-0.1$	5		V
$V_{OL}$	Output Voltage	$V_{CC1}$ at 5 V and $V_{CC2}$ at 5V, $V_{ID} = -200$ mV, $I_O = 8$ mA		0.2	0.4	V
$V_{OL}$	Output Voltage	$V_{CC1}$ at 5 V and $V_{CC2}$ at 5V, $V_{ID} = -200$ mV, $I_O = 20$ $\mu A$		0	0.1	V

All typical specs are at  $V_{CC1}=3.3V$ ,  $V_{CC2}=5V$ ,  $T_A=27^{\circ}C$ , (Min/Max specs are over recommended operating conditions unless otherwise noted)

PARAMETER		TEST CONDITIONS	MIN	TYP	MAX	UNIT
$I_A$ or $I_B$	Bus pin input current	$V_I = -7 V$ or $12 V$ , other input = $0V$ : $V_{CC} = 4.75 V$ or $5.25 V$	-160		200	$\mu A$
		$V_I = -7 V$ or $12 V$ , other input = $0V$ : $V_{CC2} = 0 V$	-160		200	$\mu A$
$I_I$	Receiver enable input current	$RE = 0 V$ or $V_{CC1}$	-50		50	$\mu A$
$I_{OZ}$	High impedance state output current	$RE = V_{CC1}$	-1		1	$\mu A$
$R_{ID}$	Differential input resistance	A, B	60			kohm
$C_{ID}$	Differential input capacitance	Test input signal is a 1.5MHz sine wave with $1V_{PP}$ amplitude, $C_D$ is measured across A and B		7	18.8	$\mu F$
CMR	Common mode rejection	See Figure 26		4		V

## 6.12 Supply Current

Bus loaded or unloaded (over recommended operating conditions unless otherwise noted)

PARAMETER	TEST CONDITIONS	MIN	TYP	MAX	UNIT
<b>DRIVER ENABLED, RECEIVER DISABLED</b>					
$I_{CC1}$ <sup>(1)</sup>	$V_{CC1} = 3.3\text{ V} \pm 10\%$ , DE, RE = 0V or $V_{CC1}$ , No Load		4.5	8	mA
	$V_{CC1} = 5\text{ V} \pm 10\%$ , DE, RE = 0V or $V_{CC1}$ , No Load		7	11	mA
$I_{CC2}$ <sup>(1)</sup>	$V_{CC2} = 5\text{ V} \pm 5\%$ , DE, RE = 0V or $V_{CC1}$ , No Load		13.5	18	mA

- (1)  $I_{CC1}$  and  $I_{CC2}$  are measured when device is connected to external power supplies. D1 and D2 are disconnected from external transformer.

## 6.13 Transformer Driver Characteristics

PARAMETER	TEST CONDITIONS	MIN	TYP	MAX	UNIT	
$f_{OSC}$	Oscillator frequency	$V_{CC1} = 5\text{ V} \pm 10\%$ , D1 and D2 connected to transformer	350	450	610	kHz
		$V_{CC1} = 3.3\text{ V} \pm 10\%$ , D1 and D2 connected to transformer	300	400	550	kHz
$R_{ON}$	Switch on resistance	D1 and D2 connected to 50-Ω pullup resistors		1	2.5	ohm
$t_{r\_D}$	D1, D2 output rise time	$V_{CC1} = 5\text{ V} \pm 10\%$ , See Figure 28, D1 and D2 connected to 50-Ω pullup resistors			80	ns
		$V_{CC1} = 3.3\text{ V} \pm 10\%$ , See Figure 28, D1 and D2 connected to 50-Ω pullup resistors			70	ns
$t_{f\_D}$	D1, D2 output fall time	$V_{CC1} = 5\text{ V} \pm 10\%$ , See Figure 28, D1 and D2 connected to 50-Ω pullup resistors			55	ns
		$V_{CC1} = 3.3\text{ V} \pm 10\%$ , See Figure 28, D1 and D2 connected to 50-Ω pullup resistors			80	ns
$f_{St}$	Startup frequency	$V_{CC1} = 2.4\text{ V}$ , D1 and D2 connected to transformer		350	kHz	
$t_{BBM}$	Break before make time delay	$V_{CC1} = 5\text{ V} \pm 10\%$ , See Figure 28, D1 and D2 connected to 50-Ω pullup resistors			38	ns
		$V_{CC1} = 3.3\text{ V} \pm 10\%$ , See Figure 28, D1 and D2 connected to 50-Ω pullup resistors			140	ns

## 6.14 Switching Characteristics: Driver

All typical specs are at  $V_{CC1}=3.3V$ ,  $V_{CC2}=5V$ ,  $T_A=27^\circ C$ , (Min/Max specs are over recommended operating conditions unless otherwise noted)

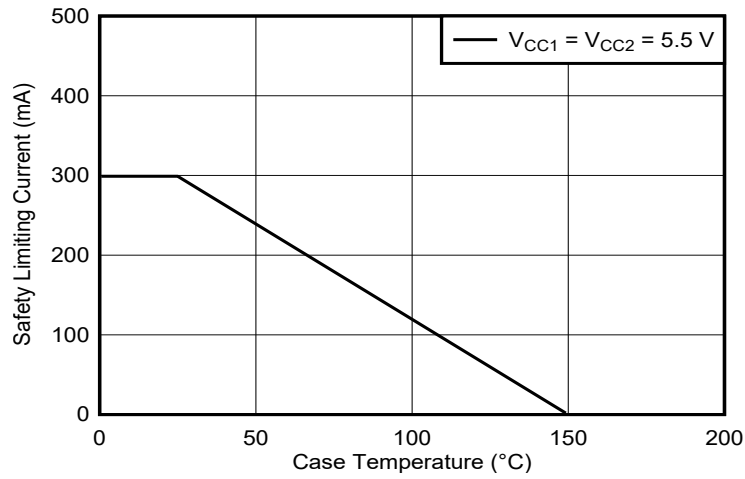
PARAMETER		TEST CONDITIONS	MIN	TYP	MAX	UNIT
<b>ISO1176</b>						
$t_{PHL}$ , $t_{PLH}$	Propagation delay	$V_{CC1}$ at 5 V, $V_{CC2}$ at 5 V		23	35	ns
tsk(p)	Pulse skew ( $ t_{PHL} - t_{PLH} $ )	$V_{CC1}$ at 5 V, $V_{CC2}$ at 5 V		2	7.5	ns
$t_{PHL}$ , $t_{PLH}$	Propagation delay	$V_{CC1}$ at 3.3 V, $V_{CC2}$ at 5 V			40	ns
tsk(p)	Pulse skew ( $ t_{PHL} - t_{PLH} $ )	$V_{CC1}$ at 3.3 V, $V_{CC2}$ at 5 V		2	7.5	ns
$t_r$ , $t_f$	Differential output rise time and fall time	See Figure 17	2	3	7.5	ns
$t_{pDE}$	DE to ISODE prop delay	See Figure 21			30	ns
$t_{(MLH)}$ , $t_{(MHL)}$	Output transition skew	See Figure 18			1	ns
$t_{P(AZH)}$ , $t_{P(BZH)}$ , $t_{P(AZL)}$ , $t_{P(BZL)}$	Propagation delay, high-impedance-to-active output	$C_L = 50$ pF, RE at 0 V, See Figure 19 and Figure 20			80	ns
$t_{P(AHZ)}$ , $t_{P(BHZ)}$ , $t_{P(ALZ)}$ , $t_{P(BLZ)}$	Propagation delay time, active-to-high-impedance output	$C_L = 50$ pF, RE at 0 V, See Figure 19 and Figure 20			80	ns
$ t_{P(AZL)} - t_{P(BZH)} $ , $ t_{P(AZH)} - t_{P(BZL)} $	Enable skew time	$C_L = 50$ pF, RE at 0 V, See Figure 19 and Figure 20		0.55	1.5	ns
$t_{(CFB)}$	Time from application of short-circuit to current foldback	See Figure 16		0.5		$\mu s$
$t_{(TSD)}$	Time from application of short-circuit to thermal shutdown	$T_A = 25^\circ C$ , See Figure 16	100			$\mu s$

## 6.15 Switching Characteristics: Receiver

All typical specs are at  $V_{CC1}=3.3V$ ,  $V_{CC2}=5V$ ,  $T_A=27^\circ C$ , (Min/Max specs are over recommended operating conditions unless otherwise noted)

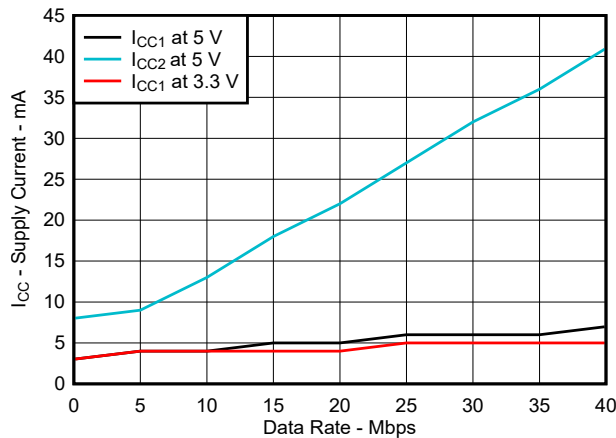
PARAMETER		TEST CONDITIONS	MIN	TYP	MAX	UNIT
<b>ISO1176</b>						
$t_{PHL}$ , $t_{PLH}$	Propagation delay	$V_{CC1}$ at 5 V, $V_{CC2}$ at 5 V			50	ns
tsk(p)	Pulse skew ( $ t_{PHL} - t_{PLH} $ )	$V_{CC1}$ at 5 V, $V_{CC2}$ at 5 V		2	7.5	ns
$t_{PHL}$ , $t_{PLH}$	Propagation delay	$V_{CC1}$ at 3.3 V, $V_{CC2}$ at 5 V			55	ns
tsk(p)	Pulse skew ( $ t_{PHL} - t_{PLH} $ )	$V_{CC1}$ at 3.3 V, $V_{CC2}$ at 5 V		2	7.5	ns
$t_r$ , $t_f$	Differential output rise time and fall time	See Figure 17		2	4	ns
$t_{PZH}$	Propagation delay time, high-impedance-to-high-level output	DE at $V_{CC1}$ , See Figure 24		13	25	ns
$t_{PHZ}$	Propagation delay time, high-level-to-high-impedance output	DE at $V_{CC1}$ , See Figure 24		13	25	ns
$t_{PZL}$	Propagation delay time, high-impedance-to-low-level output	DE at $V_{CC}$ , See Figure 25		13	25	ns
$t_{PLZ}$	Propagation delay time, low-level-to-high-impedance output	DE at $V_{CC}$ , See Figure 25		13	25	ns

### 6.16 Insulation Characteristics Curves

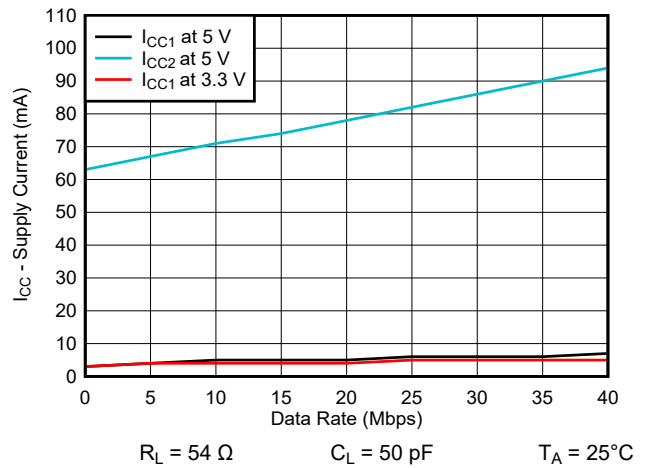


**图 6-1. Thermal Derating Curve for Safety Limiting Power for DW-16 Package**

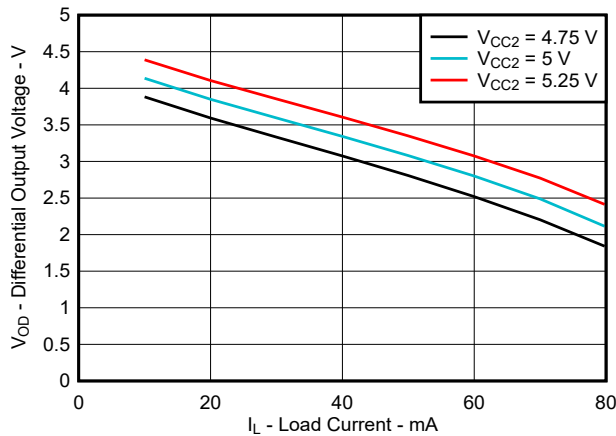
### 6.17 Typical Characteristics



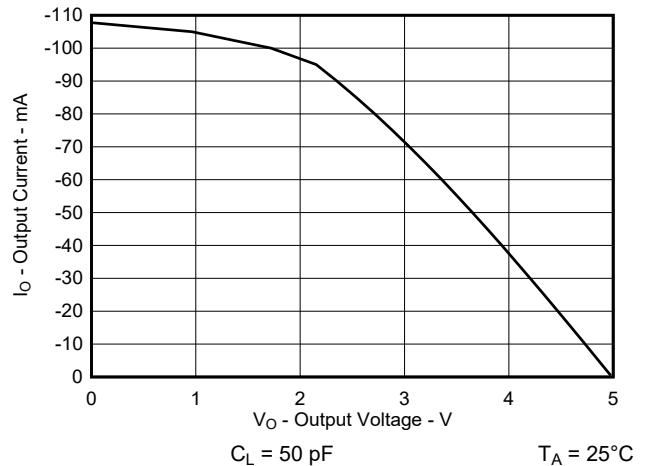
**6-2. RMS Supply Current ( $I_{CC1}$  and  $I_{CC2}$ ) vs Signaling Rate With No Load**



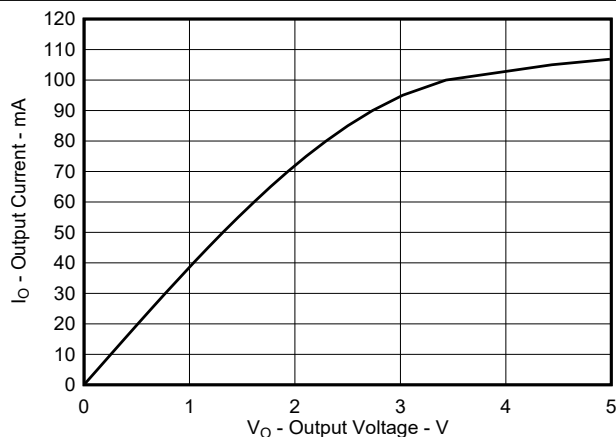
**6-3. RMS Supply Current ( $I_{CC1}$  and  $I_{CC2}$ ) vs Signaling Rate With Load**



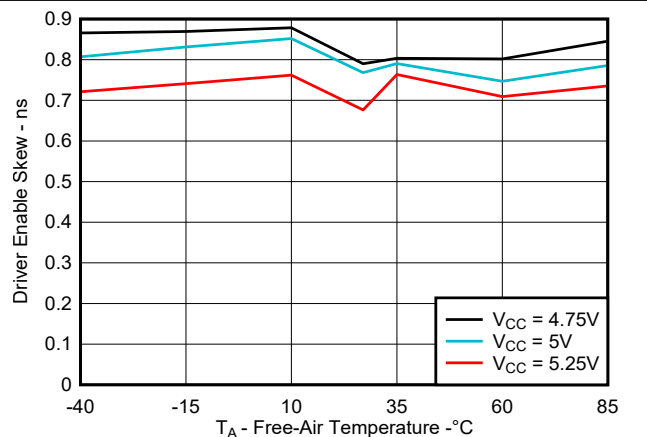
**6-4. Differential Output Voltage vs Load Current**



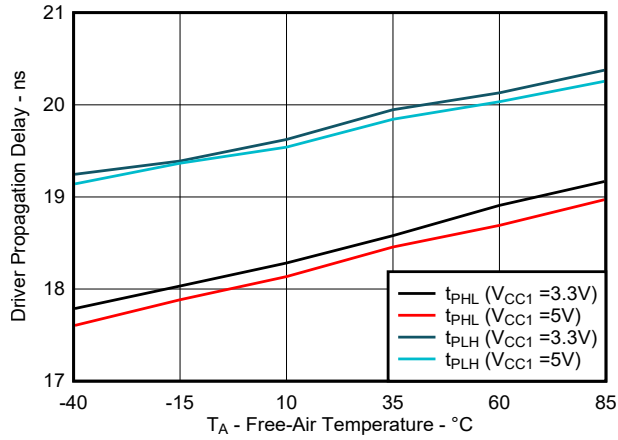
**6-5. Receiver High-Level Output Voltage vs High-Level Output Current**



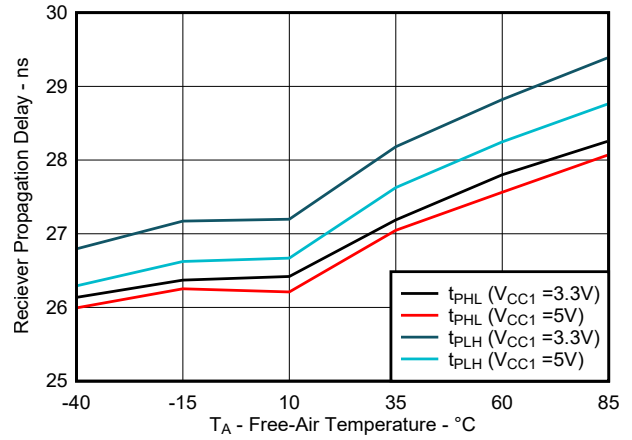
**6-6. Receiver Low-Level Output Voltage vs Low-Level Output Current**



**6-7. Driver Enable Skew vs Free-Air Temperature**

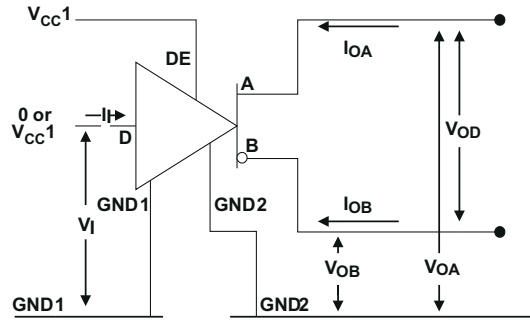



**6-8. Driver Propagation Delay vs Free-Air Temperature**



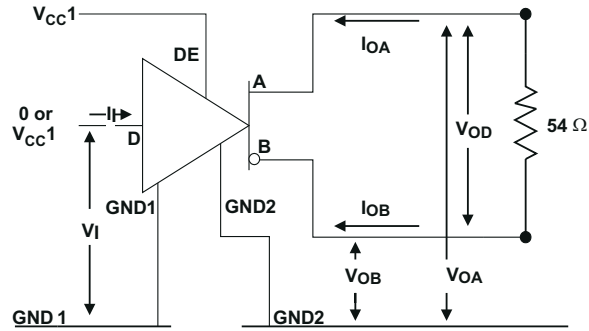

**6-9. Receiver Propagation Delay vs Free-Air Temperature**

## 7 Parameter Measurement Information

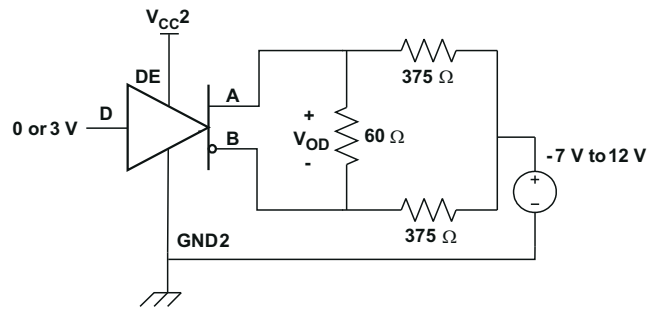


 7-1. Open Circuit Voltage Test Circuit





**Figure 7-2.  $V_{OD}$  Test Circuit**



**Figure 7-3. Driver  $V_{OD}$  with Common-mode Loading Test Circuit**

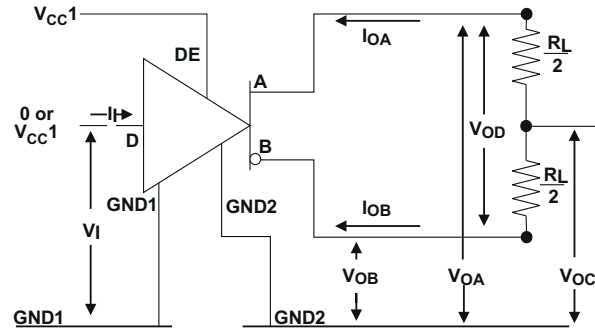


Figure 7-4. Driver  $V_{OD}$  and  $V_{OC}$  Without Common-Mode Loading Test Circuit

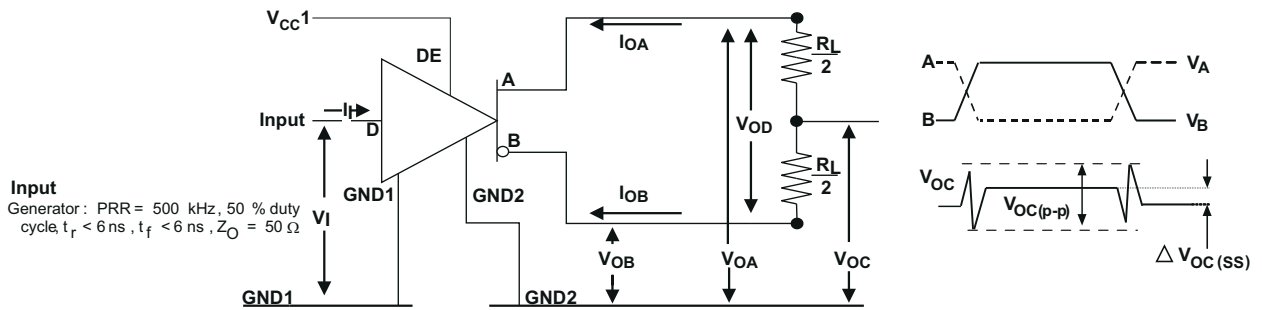


Figure 7-5. Steady-State Output Voltage Test Circuit and Voltage Waveforms

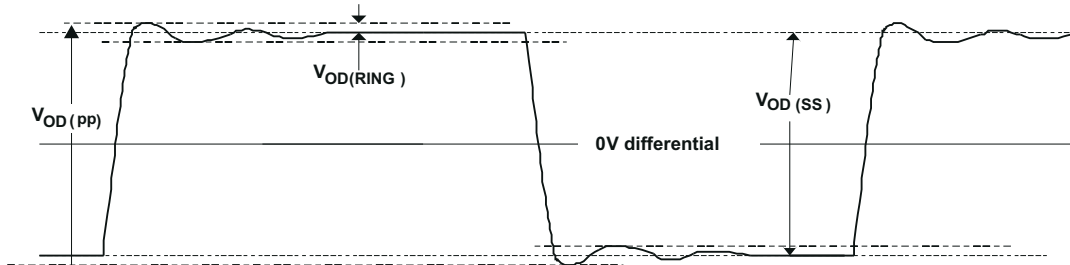


Figure 7-6.  $V_{OD(RING)}$  Waveform and Definitions

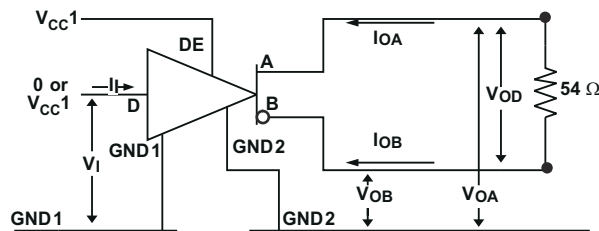


Figure 7-7. Input Voltage Hysteresis Test Circuit

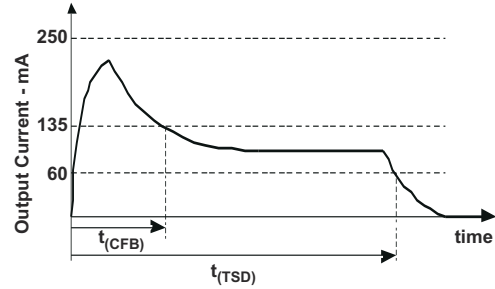
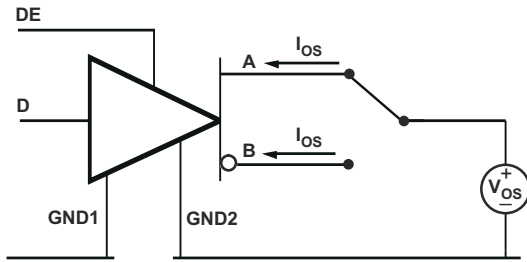


图 7-8. Driver Short-Circuit Test Circuit and Waveforms (Short Circuit applied at Time t=0)

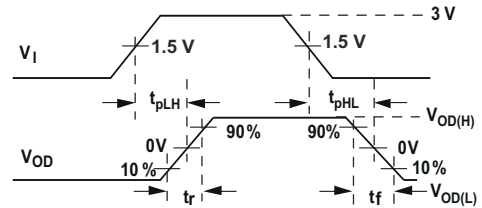
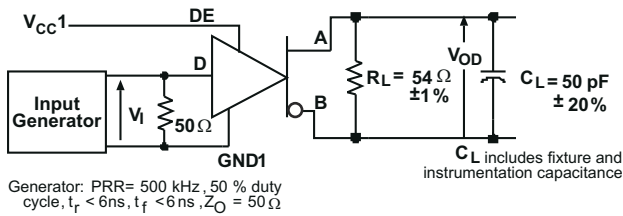


图 7-9. Driver Switching Test Circuit and Waveforms

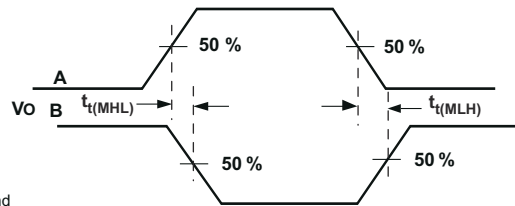
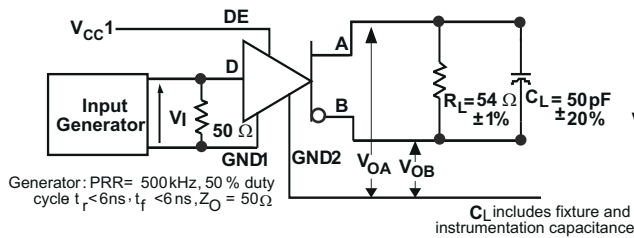


图 7-10. Driver Output Transition Skew Test Circuit and Waveforms

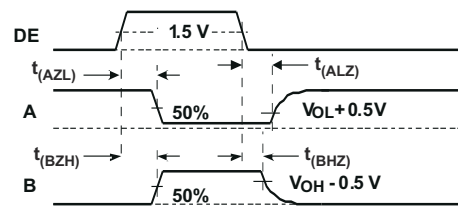
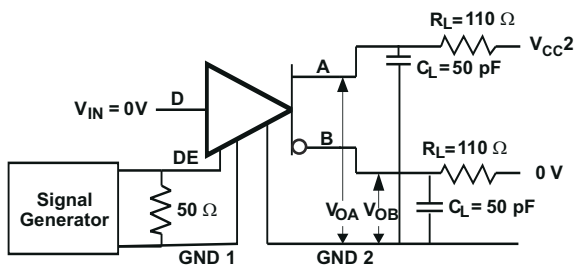


图 7-11. Driver Enable/Disable Test, D at Logic Low Test Circuit and Waveforms

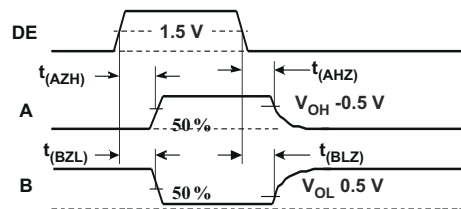
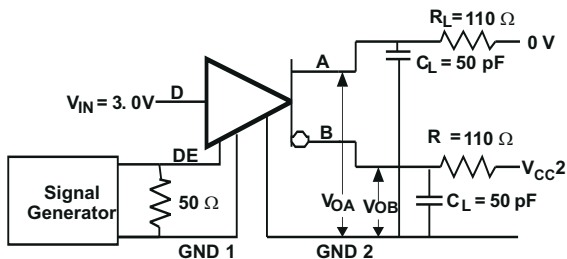
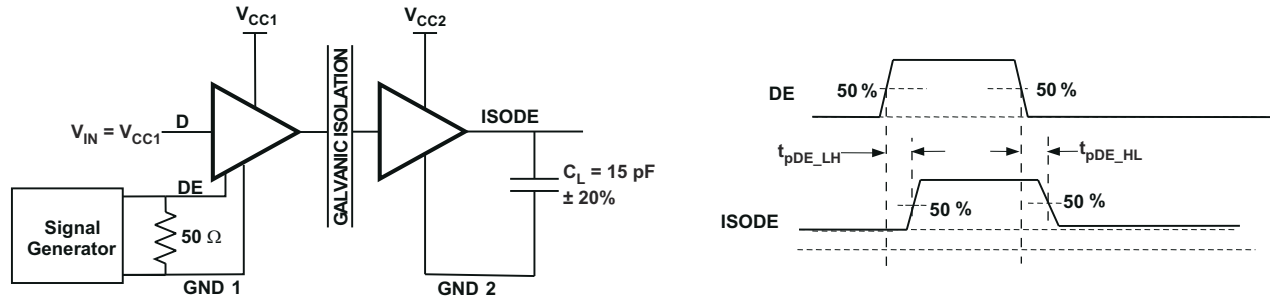
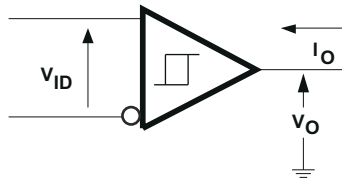


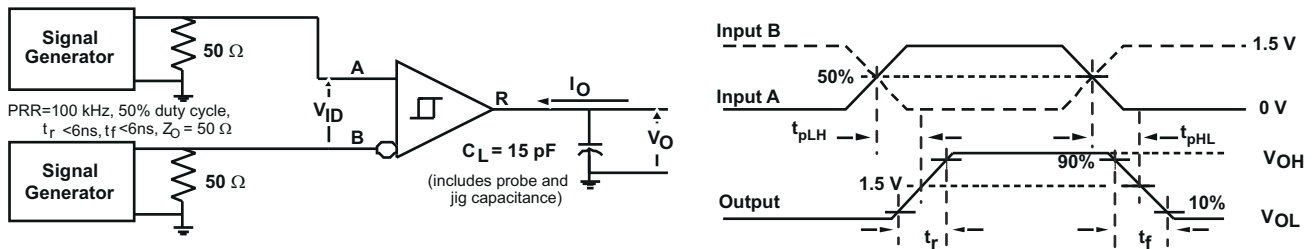
图 7-12. Driver Enable/Disable Test, D at Logic High Test Circuit and Waveforms



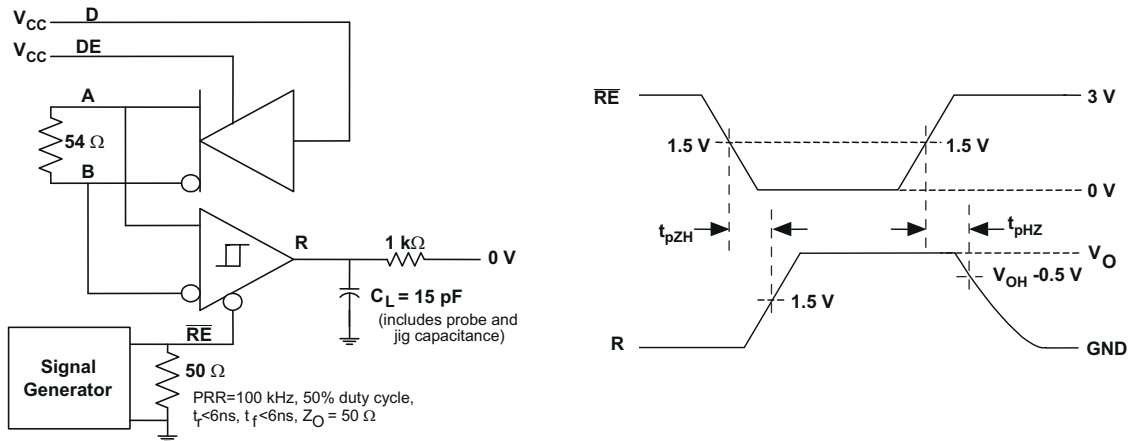
7-13. DE to ISODE Prop Delay Test Circuit and Waveforms



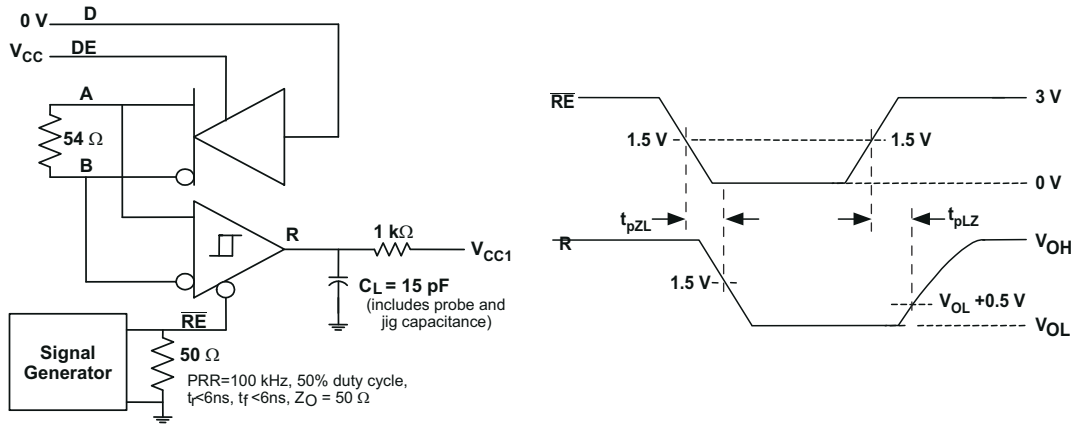
7-14. Receiver DC Parameter Definitions



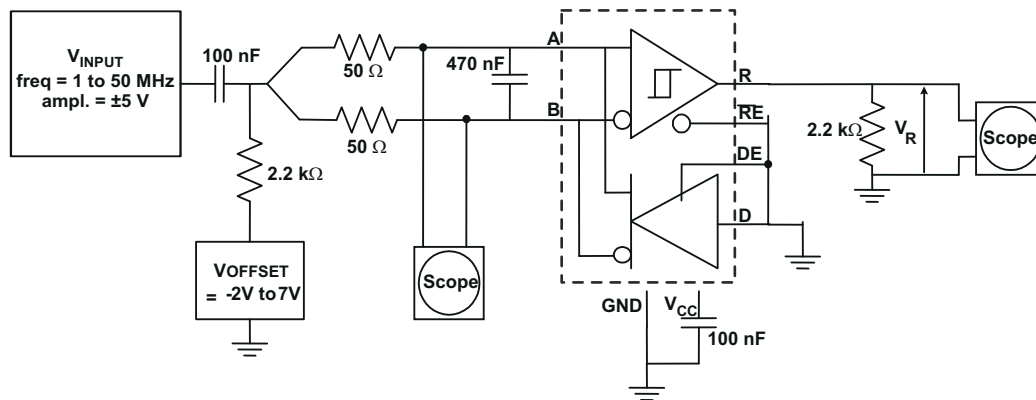
7-15. Receiver Switching Test Circuit and Waveforms



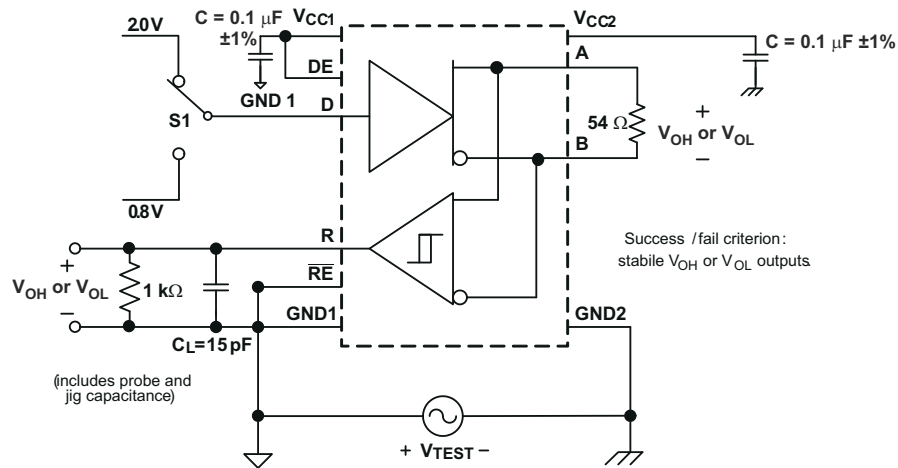
7-16. Receiver Enable Test Circuit and Waveforms, Data Output High



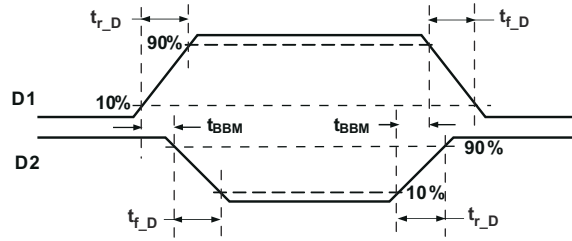
**7-17. Receiver Enable Test Circuit and Waveforms, Data Output Low**



**7-18. Common-Mode Rejection Test Circuit**



**7-19. Common-Mode Transient Immunity Test Circuit**



**7-20. Transition Times and Break-Before-Make Time Delay for D1, D2 Outputs**

## 8 Detailed Description

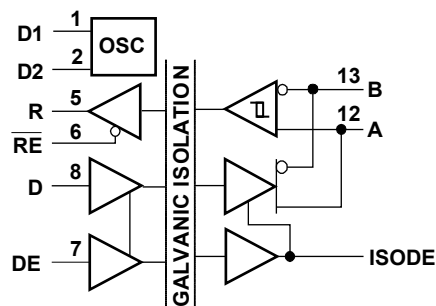
### 8.1 Overview

The ISO1176T is an isolated half-duplex differential line transceiver that meets the requirements of EN 50170 and TIA/EIA 485/422 applications. It has integrated transformer driver for convenient secondary power supply design. The device is rated to provide galvanic isolation of up to 4242 V<sub>PK</sub> per VDE and 2500 V<sub>RMS</sub> per UL 1577. The device has active-high driver enable and active-low receiver enable functions to control the data flow. It has maximum data transmission speed of 40 Mbps.

When the driver enable pin, DE, is logic high, the differential outputs A and B follow the logic states at data input D. A logic high at D causes A to turn high and B to turn low. In this case, the differential output voltage defined as  $V_{OD} = V_{(A)} - V_{(B)}$  is positive. When D is low, the output states reverse, B turns high, A becomes low, and  $V_{OD}$  is negative. When DE is low, both outputs turn high-impedance. In this condition, the logic state at D is irrelevant. The DE pin has an internal pulldown resistor to ground, thus when left open the driver is disabled (high-impedance) by default. The D pin has an internal pullup resistor to V<sub>CC</sub>, thus, when left open while the driver is enabled, output A turns high and B turns low.

When the receiver enable pin,  $\overline{RE}$ , is logic low, the receiver is enabled. When the differential input voltage defined as  $V_{ID} = V_{(A)} - V_{(B)}$  is positive and higher than the positive input threshold,  $V_{IT+}$ , the receiver output, R, turns high. When  $V_{ID}$  is negative and lower than the negative input threshold,  $V_{IT-}$ , the receiver output, R, turns low. If  $V_{ID}$  is between  $V_{IT+}$  and  $V_{IT-}$  the output is indeterminate. When  $\overline{RE}$  is logic high or left open, the receiver output is high-impedance and the magnitude and polarity of  $V_{ID}$  are irrelevant. Internal biasing of the receiver inputs causes the output to go failsafe-high when the transceiver is disconnected from the bus (open-circuit), the bus lines are shorted (short-circuit), or the bus is not actively driven (idle bus).

### 8.2 Functional Block Diagram



### 8.3 Device Functional Modes

表 8-1 和 表 8-2 是 ISO1176T 驱动器接收器的功能表。

**表 8-1. Driver Function Table<sup>(1)</sup>**

V <sub>CC1</sub>	V <sub>CC2</sub>	INPUT (D)	ENABLE INPUT (DE)	ENABLE OUTPUT (ISODE)	OUTPUTS	
					A	B
PU	PU	H	H	H	H	L
PU	PU	L	H	H	L	H
PU	PU	X	L	L	Z	Z
PU	PU	X	open	L	Z	Z
PU	PU	open	H	H	H	L
PD	PU	X	X	L	Z	Z
PU	PD	X	X	L	Z	Z
PD	PD	X	X	L	Z	Z

(1) PU = Powered Up, PD = Powered Down, H = High Level, L = Low Level, X = Don't Care, Z = High Impedance (off)

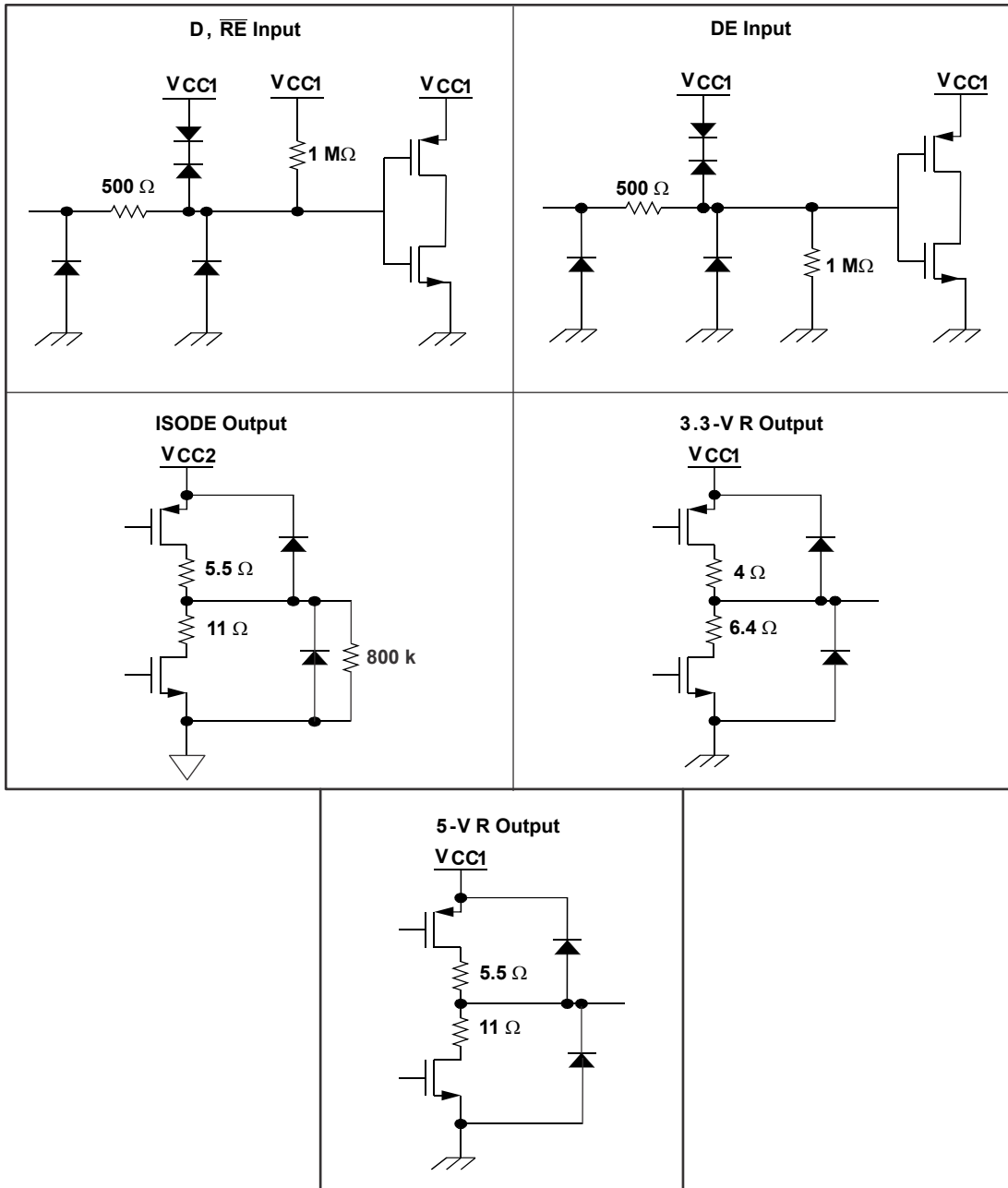
**表 8-2. Receiver Function Table<sup>(1)</sup>**

V <sub>CC1</sub>	V <sub>CC2</sub>	DIFFERENTIAL INPUT V <sub>ID</sub> = (V <sub>A</sub> - V <sub>B</sub> )	ENABLE (RE)	OUTPUT (R)
PU	PU	$-0.01V \leq V_{ID}$	L	H
PU	PU	$-0.2V < V_{ID} < -0.01V$	L	?
PU	PU	$V_{ID} \leq -0.2V$	L	L
PU	PU	X	H	Z
PU	PU	X	open	Z
PU	PU	Open circuit	L	H
PU	PU	Short Circuit	L	H
PU	PU	Idle (terminated) bus	L	H
PD	PU	X	X	Z
PU	PD	X	L	H
PD	PD	X	X	Z

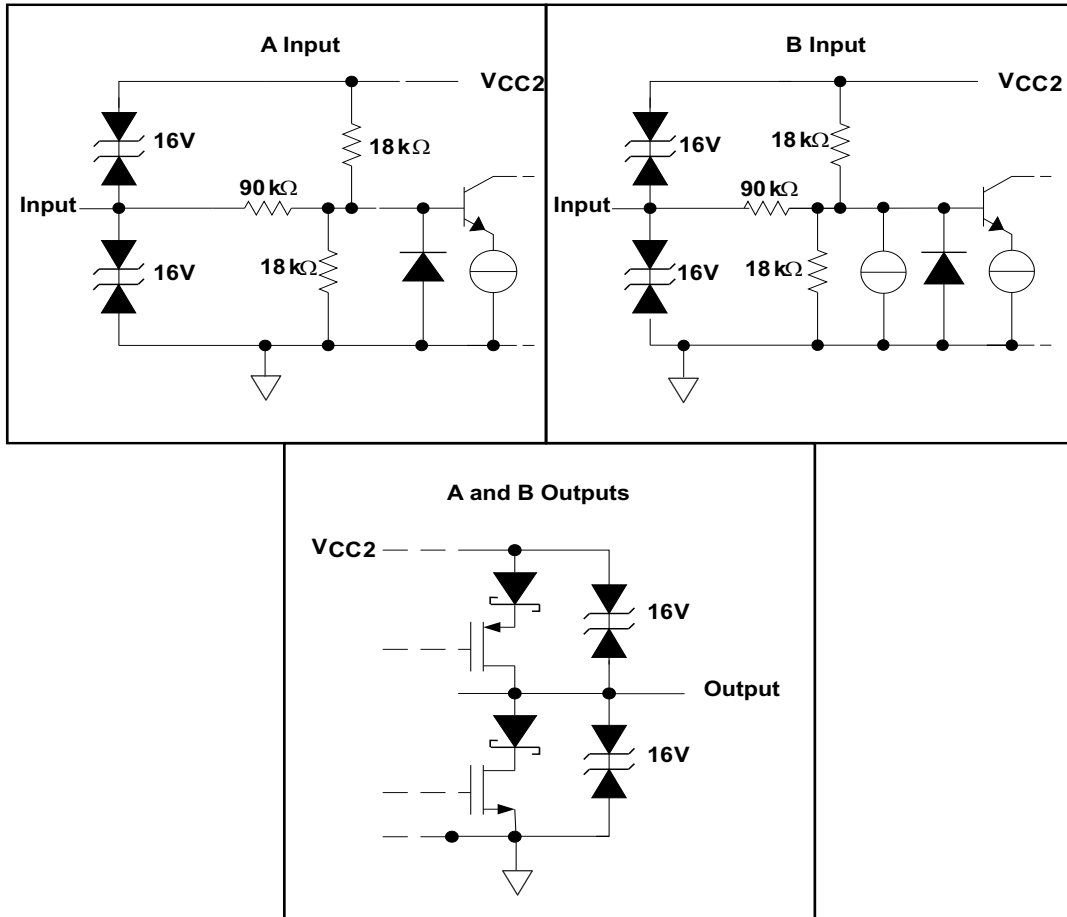
(1) PU = Powered Up, PD = Powered Down, H = High Level, L = Low Level, X = Don't Care, Z = High Impedance (off), ? = Indeterminate



### 8.3.1 Device I/O Schematics



**图 8-1. Equivalent Circuit Schematics**



8-2. Equivalent Circuit Schematics

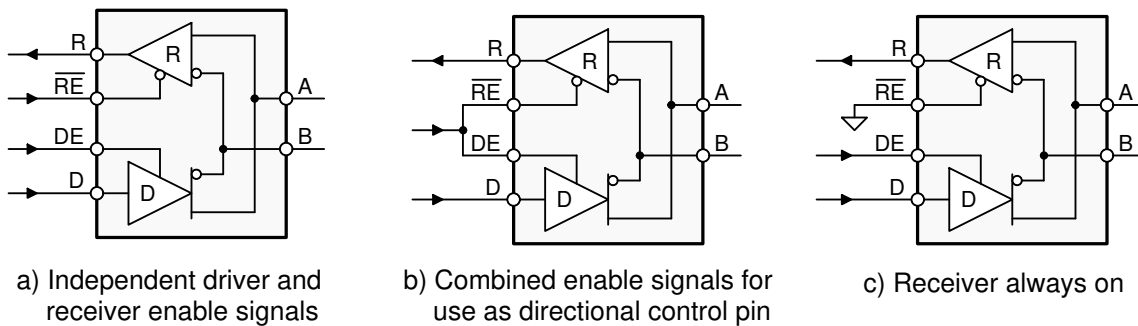
## 9 Application and Implementation

### 注

以下のアプリケーション情報は、TI の製品仕様に含まれるものではなく、TI ではその正確性または完全性を保証いたしません。個々の目的に対する製品の適合性については、お客様の責任で判断していただくこととなります。お客様は自身の設計実装を検証しテストすることで、システムの機能を確認する必要があります。

### 9.1 Application Information

The ISO1176T device consists of a RS-485 transceiver, commonly used for asynchronous data transmissions. For half-duplex transmission, only one pair is shared for both transmission and reception of data. To eliminate line reflections, each cable end is terminated with a termination resistor, R(T), whose value matches the characteristic impedance,  $Z_0$ , of the cable. This method, known as parallel termination, allows for higher data rates over longer cable length.



Copyright © 2016, Texas Instruments Incorporated

図 9-1. Half-Duplex Transceiver Configurations

### 9.2 Typical Application

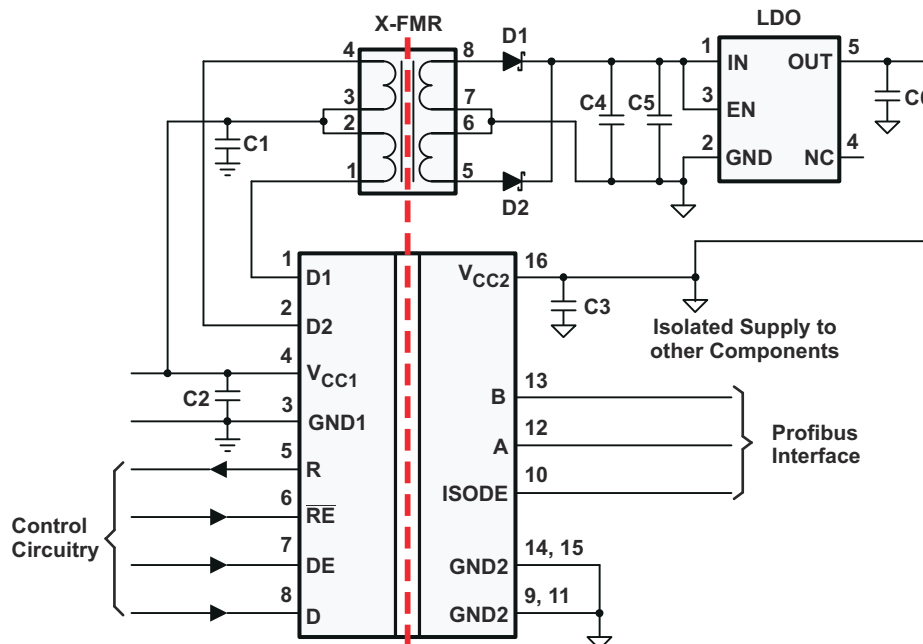


図 9-2. Typical Application

## 9.2.1 Design Requirements

RS-485 is a robust electrical standard suitable for long-distance networking that may be used in a wide range of applications with varying requirements, such as distance, data rate, and number of nodes.

**表 9-1. Design Parameters**

PARAMETER	VALUE
Pullup and Pulldown Resistors	1 kΩ to 10 kΩ
Decoupling Capacitors	100 nF

## 9.2.2 Detailed Design Procedure

### 9.2.2.1 Transient Voltages

#### 9.2.2.1.1

Isolation of a circuit insulates it from other circuits and earth so that noise develops across the insulation rather than circuit components. The most common noise threat to data-line circuits is voltage surges or electrical fast transients that occur after installation and the transient ratings of ISO1176T are sufficient for all but the most severe installations. However, some equipment manufacturers use their ESD generators to test transient susceptibility of their equipment and can exceed insulation ratings. ESD generators simulate static discharges that may occur during device or equipment handling with low-energy but high voltage transients.

☒ **9-3** models the ISO1176T bus IO connected to a noise generator.  $C_{IN}$  and  $R_{IN}$  is the device and any other stray or added capacitance or resistance across the A or B pin to GND2,  $C_{ISO}$  and  $R_{ISO}$  is the capacitance and resistance between GND1 and GND2 of ISO1176T plus those of any other insulation (transformer, or similar), and we assume stray inductance negligible. From this model, the voltage at the isolated bus return is shown in 式 1:

$$V_{GND2} = V_N \frac{Z_{ISO}}{Z_{ISO} + Z_{IN}} \quad (1)$$

and will always be less than 16 V from  $V_N$ . If ISO1176T is tested as a stand-alone device,  $R_{IN} = 6 \times 10^4 \Omega$ ,  $C_{IN} = 16 \times 10^{-12}$  F,  $R_{ISO} = 10^9 \Omega$  and  $C_{ISO} = 10^{-12}$  F.

Note from ☒ **9-3** that the resistor ratio determines the voltage ratio at low frequency and it is the inverse capacitance ratio at high frequency. In the stand-alone case and for low frequency, as shown in 式 2,

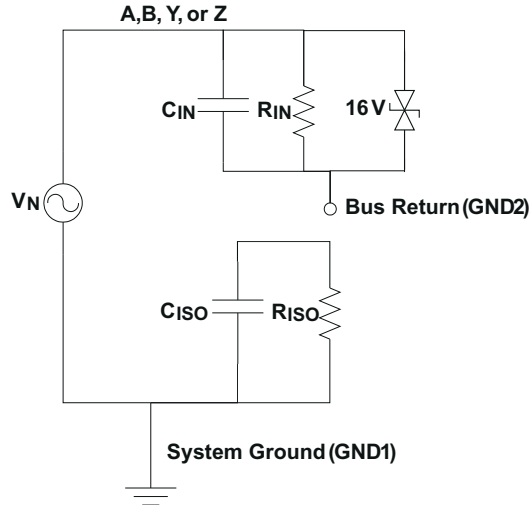
$$\frac{V_{GND2}}{V_N} = \frac{R_{ISO}}{R_{ISO} + R_{IN}} = \frac{10^9}{10^9 + 6 \times 10^4} \quad (2)$$

or essentially all of noise appears across the barrier. At high frequency, as shown in 式 3,

$$\frac{V_{GND2}}{V_N} = \frac{\frac{1}{C_{ISO}}}{\frac{1}{C_{ISO}} + \frac{1}{C_{IN}}} = \frac{1}{1 + \frac{C_{ISO}}{C_{IN}}} = \frac{1}{1 + \frac{1}{16}} = 0.94 \quad (3)$$

and 94% of  $V_N$  appears across the barrier. As long as  $R_{ISO}$  is greater than  $R_{IN}$  and  $C_{ISO}$  is less than  $C_{IN}$ , most of transient noise appears across the isolation barrier, as it should.

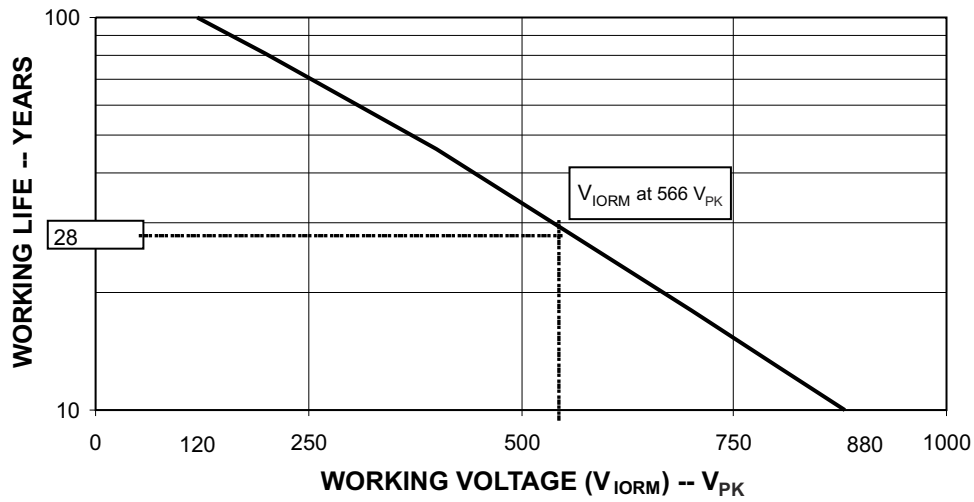
We recommend the reader not test equipment transient susceptibility with ESD generators or consider product claims of ESD ratings above the barrier transient ratings of an isolated interface. ESD is best managed through recessing or covering connector pins in a conductive connector shell and installer training.



☒ 9-3. Noise Model

### 9.2.3 Application Curve

At maximum working voltage, ISO1176T isolation barrier has more than 28 years of life.



☒ 9-4. Time-Dependent Dielectric Breakdown Test Results

## 10 Power Supply Recommendations

To ensure reliable operation at all data rates and supply voltages, TI recommends a 0.1- $\mu\text{F}$  bypass capacitor at input and output supply pins ( $V_{CC1}$  and  $V_{CC2}$ ). The capacitors should be placed as close to the supply pins as possible. This device is used in applications where only a single primary-side power supply is available. Isolated power can be generated for the secondary-side with the help of integrated transformer driver.

## 11 Layout

### 11.1 Layout Guidelines

ON-chip IEC-ESD protection is good for laboratory and portable equipment but never sufficient for EFT and surge transients occurring in industrial environments. Therefore, robust and reliable bus node design requires the use of external transient protection devices. Because ESD and EFT transients have a wide frequency bandwidth from approximately 3-MHz to 3-GHz, high-frequency layout techniques must be applied during PCB design. A minimum of four layers is required to accomplish a low EMI PCB design (see [Figure 11-1](#)).

- Layer stacking should be in the following order (top-to-bottom): high-speed signal layer, ground plane, power plane, and low-frequency signal layer.
- Placing a solid ground plane next to the high-speed signal layer establishes controlled impedance for transmission line interconnects and provides an excellent low-inductance path for the return current flow.
- Placing the power plane next to the ground plane creates additional high-frequency bypass capacitance of approximately 100 pF/in<sup>2</sup>.
- Routing the slower speed control signals on the bottom layer allows for greater flexibility as these signal links usually have margin to tolerate discontinuities such as vias.
- Place the protection circuitry close to the bus connector to prevent noise transients from penetrating your board.
- Use  $V_{CC}$  and ground planes to provide low-inductance. High-frequency currents might follow the path of least inductance and not necessarily the path of least resistance.
- Design the protection components into the direction of the signal path. Do not force the transient currents to divert from the signal path to reach the protection device.
- Apply 0.1- $\mu\text{F}$  bypass capacitors as close as possible to the  $V_{CC}$ -pins of transceiver, UART, and controller ICs on the board.
- Use at least two vias for  $V_{CC}$  and ground connections of bypass capacitors and protection devices to minimize effective via-inductance.
- Use 1-k $\Omega$  to 10-k $\Omega$  pullup and pulldown resistors for enable lines to limit noise currents in these lines during transient events.
- Insert pulse-proof resistors into the A and B bus lines if the TVS clamping voltage is higher than the specified maximum voltage of the transceiver bus pins. These resistors limit the residual clamping current into the transceiver and prevent it from latching up.
- While pure TVS protection is sufficient for surge transients up to 1 kV, higher transients require metal-oxide varistors (MOVs) which reduce the transients to a few hundred volts of clamping voltage, and transient blocking units (TBUs) that limit transient current to less than 1 mA.
- Routing the high-speed traces on the top layer avoids the use of vias (and the introduction of their inductances) and allows for clean interconnects between the isolator and the transmitter and receiver circuits of the data link.

If an additional supply voltage plane or signal layer is needed, add a second power and ground plane system to the stack to keep it symmetrical. This makes the stack mechanically stable and prevents it from warping. Also the power and ground plane of each power system can be placed closer together, thus increasing the high-frequency bypass capacitance significantly.

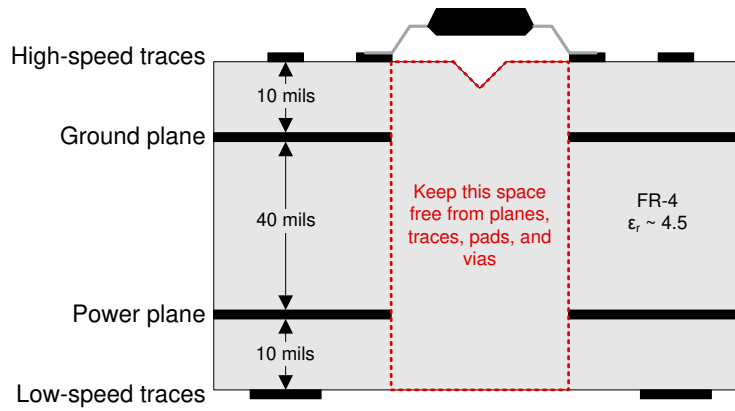
---

注

For detailed layout recommendations, see Application Note *Digital Isolator Design Guide*, [SLLA284](#).

---

## 11.2 Layout Example



11-1. Recommended Layer Stack

## 12 Device and Documentation Support

### 12.1 Documentation Support

#### 12.1.1 Related Documentation

For related documentation see the following:

- *Isolated, 40-Mbps, 3.3-V to 5-V Profibus Interface* ([SLUU471](#))
- *Digital Isolator Design Guide* ([SLLA284](#))
- *Isolation Glossary* ([SLLA353](#))

### 12.2 Community Resources

#### 12.3 Trademarks

Profibus® is a registered trademark of Profibus International.

すべての商標は、それぞれの所有者に帰属します。

#### 12.4 静電気放電に関する注意事項



この IC は、ESD によって破損する可能性があります。テキサス・インスツルメンツは、IC を取り扱う際には常に適切な注意を払うことを推奨します。正しい取り扱いおよび設置手順に従わない場合、デバイスを破損するおそれがあります。

ESD による破損は、わずかな性能低下からデバイスの完全な故障まで多岐にわたります。精密な IC の場合、パラメータがわずかに変化するだけで公表されている仕様から外れる可能性があるため、破損が発生しやすくなっています。

### 12.5 用語集

[テキサス・インスツルメンツ用語集](#) この用語集には、用語や略語の一覧および定義が記載されています。

## 13 Mechanical, Packaging, and Orderable Information

The following pages include mechanical, packaging, and orderable information. This information is the most current data available for the designated devices. This data is subject to change without notice and revision of this document. For browser-based versions of this data sheet, refer to the left-hand navigation.



**PACKAGING INFORMATION**

Orderable Device	Status (1)	Package Type	Package Drawing	Pins	Package Qty	Eco Plan (2)	Lead finish/ Ball material (6)	MSL Peak Temp (3)	Op Temp (°C)	Device Marking (4/5)	Samples
ISO1176TDW	OBSOLETE	SOIC	DW	16		TBD	Call TI	Call TI	-40 to 85	ISO1176T	
ISO1176TDWR	ACTIVE	SOIC	DW	16	2000	RoHS & Green	NIPDAU	Level-2-260C-1 YEAR	-40 to 85	ISO1176T	Samples

(1) The marketing status values are defined as follows:

**ACTIVE:** Product device recommended for new designs.

**LIFEBUY:** TI has announced that the device will be discontinued, and a lifetime-buy period is in effect.

**NRND:** Not recommended for new designs. Device is in production to support existing customers, but TI does not recommend using this part in a new design.

**PREVIEW:** Device has been announced but is not in production. Samples may or may not be available.

**OBSOLETE:** TI has discontinued the production of the device.

(2) **RoHS:** TI defines "RoHS" to mean semiconductor products that are compliant with the current EU RoHS requirements for all 10 RoHS substances, including the requirement that RoHS substance do not exceed 0.1% by weight in homogeneous materials. Where designed to be soldered at high temperatures, "RoHS" products are suitable for use in specified lead-free processes. TI may reference these types of products as "Pb-Free".

**RoHS Exempt:** TI defines "RoHS Exempt" to mean products that contain lead but are compliant with EU RoHS pursuant to a specific EU RoHS exemption.

**Green:** TI defines "Green" to mean the content of Chlorine (Cl) and Bromine (Br) based flame retardants meet JS709B low halogen requirements of <=1000ppm threshold. Antimony trioxide based flame retardants must also meet the <=1000ppm threshold requirement.

(3) MSL, Peak Temp. - The Moisture Sensitivity Level rating according to the JEDEC industry standard classifications, and peak solder temperature.

(4) There may be additional marking, which relates to the logo, the lot trace code information, or the environmental category on the device.

(5) Multiple Device Markings will be inside parentheses. Only one Device Marking contained in parentheses and separated by a "~" will appear on a device. If a line is indented then it is a continuation of the previous line and the two combined represent the entire Device Marking for that device.

(6) Lead finish/Ball material - Orderable Devices may have multiple material finish options. Finish options are separated by a vertical ruled line. Lead finish/Ball material values may wrap to two lines if the finish value exceeds the maximum column width.

**Important Information and Disclaimer:**The information provided on this page represents TI's knowledge and belief as of the date that it is provided. TI bases its knowledge and belief on information provided by third parties, and makes no representation or warranty as to the accuracy of such information. Efforts are underway to better integrate information from third parties. TI has taken and continues to take reasonable steps to provide representative and accurate information but may not have conducted destructive testing or chemical analysis on incoming materials and chemicals. TI and TI suppliers consider certain information to be proprietary, and thus CAS numbers and other limited information may not be available for release.

In no event shall TI's liability arising out of such information exceed the total purchase price of the TI part(s) at issue in this document sold by TI to Customer on an annual basis.

**TAPE AND REEL INFORMATION**

**QUADRANT ASSIGNMENTS FOR PIN 1 ORIENTATION IN TAPE**


\*All dimensions are nominal

Device	Package Type	Package Drawing	Pins	SPQ	Reel Diameter (mm)	Reel Width W1 (mm)	A0 (mm)	B0 (mm)	K0 (mm)	P1 (mm)	W (mm)	Pin1 Quadrant
ISO1176TDWR	SOIC	DW	16	2000	330.0	16.4	10.75	10.7	2.7	12.0	16.0	Q1

**TAPE AND REEL BOX DIMENSIONS**


\*All dimensions are nominal

Device	Package Type	Package Drawing	Pins	SPQ	Length (mm)	Width (mm)	Height (mm)
ISO1176TDWR	SOIC	DW	16	2000	353.0	353.0	32.0

## GENERIC PACKAGE VIEW

**DW 16**

**SOIC - 2.65 mm max height**

7.5 x 10.3, 1.27 mm pitch

SMALL OUTLINE INTEGRATED CIRCUIT

This image is a representation of the package family, actual package may vary.  
Refer to the product data sheet for package details.



4224780/A

## 重要なお知らせと免責事項

テキサス・インスツルメンツは、技術データと信頼性データ(データシートを含みます)、設計リソース(リファレンス デザインを含みます)、アプリケーションや設計に関する各種アドバイス、Web ツール、安全性情報、その他のリソースを、欠陥が存在する可能性のある「現状のまま」提供しており、商品性および特定目的に対する適合性の黙示保証、第三者の知的財産権の非侵害保証を含むいかなる保証も、明示的または黙示的にかかわらず拒否します。

これらのリソースは、テキサス・インスツルメンツ製品を使用する設計の経験を積んだ開発者への提供を意図したものです。(1) お客様のアプリケーションに適したテキサス・インスツルメンツ製品の選定、(2) お客様のアプリケーションの設計、検証、試験、(3) お客様のアプリケーションに該当する各種規格や、その他のあらゆる安全性、セキュリティ、規制、または他の要件への確実な適合に関する責任を、お客様のみが単独で負うものとし、ます。

上記の各種リソースは、予告なく変更される可能性があります。これらのリソースは、リソースで説明されているテキサス・インスツルメンツ製品を使用するアプリケーションの開発の目的でのみ、テキサス・インスツルメンツはその使用をお客様に許諾します。これらのリソースに関して、他の目的で複製することや掲載することは禁止されています。テキサス・インスツルメンツや第三者の知的財産権のライセンスが付与されている訳ではありません。お客様は、これらのリソースを自身で使用した結果発生するあらゆる申し立て、損害、費用、損失、責任について、テキサス・インスツルメンツおよびその代理人を完全に補償するものとし、テキサス・インスツルメンツは一切の責任を拒否します。

テキサス・インスツルメンツの製品は、[テキサス・インスツルメンツの販売条件](#)、または [ti.com](https://www.ti.com) やかかるテキサス・インスツルメンツ製品の関連資料などのいずれかを通じて提供する適用可能な条項の下で提供されています。テキサス・インスツルメンツがこれらのリソースを提供することは、適用されるテキサス・インスツルメンツの保証または他の保証の放棄の拡大や変更を意味するものではありません。

お客様がいかなる追加条項または代替条項を提案した場合でも、テキサス・インスツルメンツはそれらに異議を唱え、拒否します。

郵送先住所：Texas Instruments, Post Office Box 655303, Dallas, Texas 75265  
Copyright © 2025, Texas Instruments Incorporated