

DLPA3000 PMIC および高電流 LED ドライバ IC

1 特長

- 高効率、大電流 RGB LED ドライバ
- 内蔵の降圧コンバータにより、最大 6A の LED ドライバ電流を供給可能
- 超低オン抵抗のチャンネル選択用 RGB MOSFET スイッチ
- チャンネルあたり 10 ビットのプログラム可能な電流
- カラー・シーケンシャル RGB LED の選択用入力
- DMD 高電圧電源の生成
- 2 つの高効率降圧コンバータにより DLPC343x と DMD の電源を生成
- ファン・ドライバ・アプリケーションまたは汎用電源用の 1 つの高効率 8 ビット・プログラマブル降圧コンバータ。汎用 Buck2 (PWR6) が、現在サポートされています。
- 2 つの LDO で補助電圧を供給
- アナログ・マルチプレクサでサーミスタや基準レベルなど内部および外部のノードを測定
- 監視 / 保護: サーマル・シャットダウン、ホット・ダイ、バッテリー低下、低電圧誤動作防止 (UVLO)

2 アプリケーション

- ポータブル DLP®Pico™ プロジェクタ

3 概要

DLPA3000 は高集積パワー・マネージメント IC であり、DLP® Pico プロジェクタ・システム向けに最適化済みです。このデバイスは、最大数百ルーメンのアクセサリ・アプリケーションを対象としています。

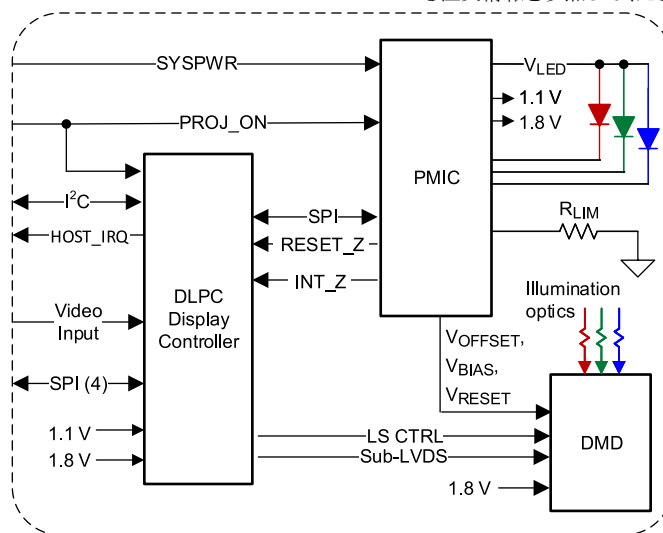
DLPA3000 は、内蔵の高効率降圧コンバータにより、1 LED あたり最大 6 A の LED プロジェクタをサポートしています。さらに、低抵抗 RGB スイッチは、赤色、緑色、青色 LED のシーケンシングに対応しています。DLPA3000 は 5 つの降圧コンバータを内蔵し、そのうちの 2 つは DLPC 低電圧電源専用になっています。もう 1 つの専用レギュレータ電源は、DMD 用の 3 つのタイミング・クリティカルな DC 電源を生成します。V_{BIAS}、V_{RST}、V_{OFS}

DLPA3000 には複数の補助ブロックが含まれており、フレキシブルな方法で使用できます。これにより、カスタマイズされた Pico プロジェクタ・システムを実現できます。1 つの 8 ビット・プログラマブル降圧コンバータを、例えばプロジェクタのファンを駆動したり、補助電源ラインを作成したりするなどの目的で使用することが可能です。汎用 Buck2 (PWR6) が、現在サポートされています。2 つの LDO を使用することで、最大 200mA の低電流電源ができます。これらの LDO は、2.5V および 3.3V に事前定義されています。

製品情報

| 部品番号 | パッケージ ⁽¹⁾ | パッケージ・サイズ (公称) |
|----------|----------------------|-----------------|
| DLPA3000 | HTQFP (100) | 14.00mm×14.00mm |

(1) 利用可能なパッケージについては、このデータシートの末尾にある注文情報を参照してください。



標準的なシステムの概略図



Table of Contents

| | | | |
|---|----|---|-----------|
| 1 特長..... | 1 | 9.2 Typical Applications..... | 47 |
| 2 アプリケーション..... | 1 | 10 Power Supply Recommendations..... | 51 |
| 3 概要..... | 1 | 11 Layout..... | 52 |
| 4 Revision History..... | 2 | 11.1 Layout Guidelines..... | 52 |
| 5 概要 (続き)..... | 4 | 11.2 Layout Example..... | 53 |
| 6 Pin Configuration and Functions..... | 4 | 11.3 SPI Connections..... | 53 |
| 7 Specifications..... | 8 | 11.4 R _{LIM} Routing..... | 54 |
| 7.1 Absolute Maximum Ratings..... | 8 | 11.5 LED Connection..... | 54 |
| 7.2 ESD Ratings..... | 9 | 11.6 Thermal Considerations..... | 56 |
| 7.3 Recommended Operating Conditions..... | 9 | 12 Device and Documentation Support..... | 59 |
| 7.4 Thermal Information..... | 9 | 12.1 サード・パーティ製品に関する免責事項..... | 59 |
| 7.5 Electrical Characteristics..... | 10 | 12.2 Device Support..... | 59 |
| 7.6 SPI Timing Parameters..... | 16 | 12.3 Related Links..... | 59 |
| 8 Detailed Description..... | 17 | 12.4 ドキュメントの更新通知を受け取る方法..... | 59 |
| 8.1 Overview..... | 17 | 12.5 サポート・リソース..... | 60 |
| 8.2 機能ブロック図..... | 17 | 12.6 Trademarks..... | 60 |
| 8.3 Feature Description..... | 17 | 12.7 サポート・リソース..... | 60 |
| 8.4 Device Functional Modes..... | 41 | 12.8 静電気放電に関する注意事項..... | 60 |
| 8.5 Register Maps..... | 43 | 12.9 用語集..... | 60 |
| 9 Application and Implementation..... | 47 | 13 Mechanical, Packaging, and Orderable Information..... | 61 |
| 9.1 Application Information..... | 47 | | |

4 Revision History

資料番号末尾の英字は改訂を表しています。その改訂履歴は英語版に準じています。

| Changes from Revision * (October 2015) to Revision A (September 2023) | Page |
|--|------|
| • 特長 でサポートされていない汎用降圧コンバータを削除..... | 1 |
| • 最新の業界およびテキサス・インスツルメンツ標準によりこのデータシートを更新..... | 1 |
| • サポートされていない降圧コンバータを削除し、概要 のシステム・ブロック図を更新..... | 1 |
| • Updated Pin Configuration and Functions | 4 |
| • Updated セクション 7.3 | 9 |
| • Updated <i>Electrical Characteristics</i> | 10 |
| • Removed unsupported general purpose buck converters in Overview | 17 |
| • 機能ブロック図 を更新..... | 17 |
| • Removed unsupported general purpose buck converters in Supply | 17 |
| • Updated register names in Monitoring | 20 |
| • Updated Block Faults | 20 |
| • Updated register names in Low Battery and UVLO | 20 |
| • Updated LDO Illum | 23 |
| • Updated Break Before Make (BBM) | 26 |
| • Updated LDO DMD | 29 |
| • Removed unsupported general purpose buck converters 1 and 3 in Buck Converters | 35 |
| • Removed unsupported general purpose buck converters in LDO Bucks | 35 |
| • Removed unsupported general purpose buck converters 1 and 3 in General Purpose Buck Converters | 35 |
| • Removed unsupported General Purpose Buck Converters 1 and 3 in Buck Converter Monitoring | 37 |
| • Removed unsupported General Purpose Buck Converters 1 and 3 in Power Good | 37 |
| • Updated Overvoltage Fault | 37 |
| • Removed light sensor use-case in Measurement System | 38 |
| • Added the SPI Timing Diagram in SPI | 39 |
| • Removed unsupported general purpose buck converters in Interrupt | 40 |
| • Updated Register Maps | 43 |

| | |
|--|----|
| • Updated the System Block Diagram in Typical Application Setup Using DLPA3000 | 47 |
| • Updated Typical Application with DLPA3000 Internal Block Diagram | 49 |
| • Updated Layout Guidelines | 52 |
| • Updated Layout Example | 53 |
| • Removed unsupported general purpose buck converter in SPI Connections | 53 |
| • Updated R_{LIM} Routing | 54 |
| • Updated セクション 11.5 | 54 |
| • Updated Thermal Considerations | 56 |

5 概要 (続き)

SPI を使用して、DLPA3000 のすべてのブロックをアドレス指定できます。含まれる機能には、システム・リセットの生成、電源シーケンス、アクティブ LED を順に選択するための入力信号、IC の自己保護、および外部 ADC にアナログ情報をルーティングするアナログ・マルチプレクサがあります。

6 Pin Configuration and Functions

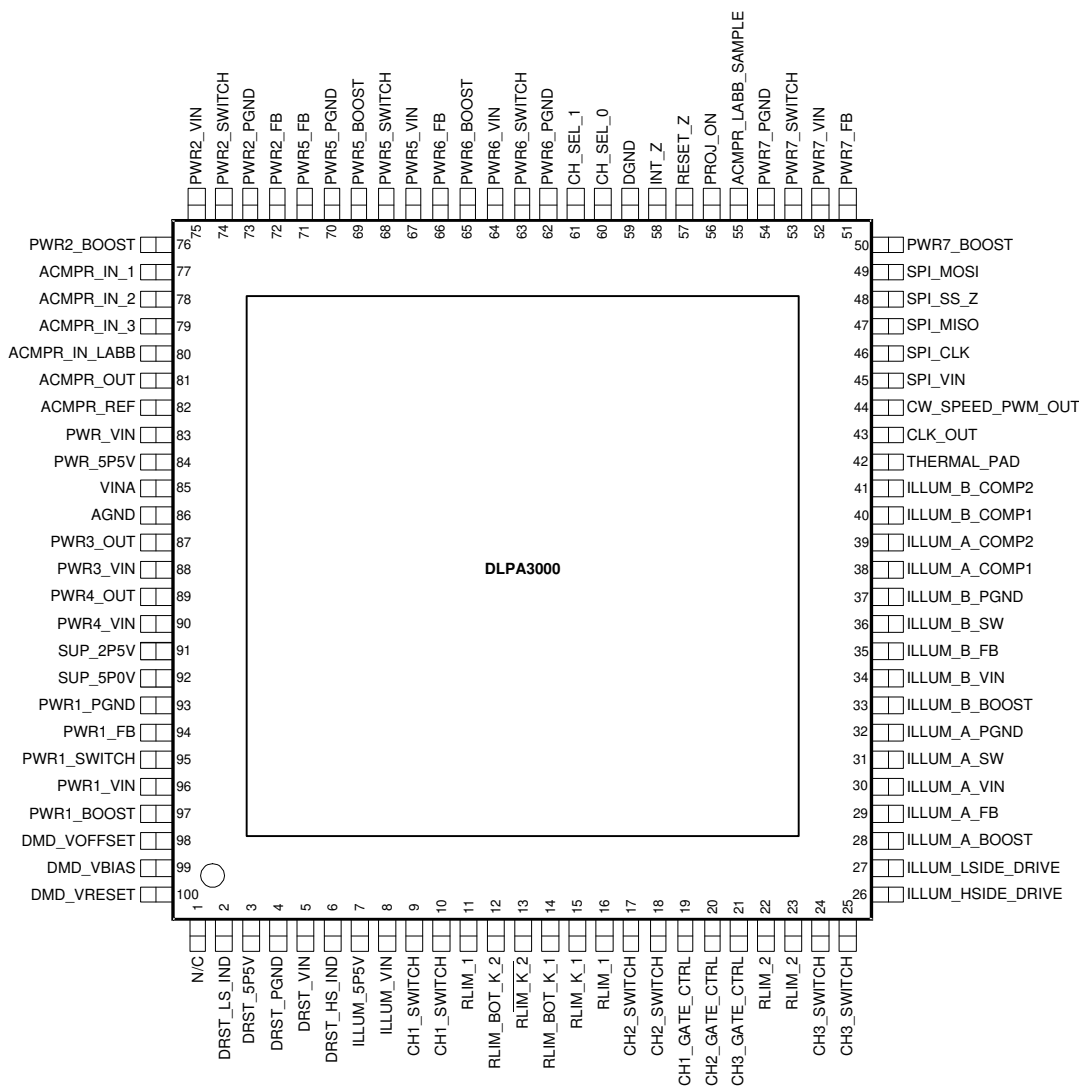


図 6-1. PFD Package 100-Pin HTQFP Top View

表 6-1. Pin Functions

| PIN | | I/O | DESCRIPTION |
|-------------|-----|-------|--|
| NAME | NO. | | |
| N/C | 1 | — | No connect |
| DRST_LS_IND | 2 | I/O | Connection for the DMD SMPS-inductor (low-side switch) |
| DRST_5P5V | 3 | O | Filter pin for LDO DMD. Power supply for internal DMD reset regulator, typical 5.5 V |
| DRST_PGND | 4 | GND | Power ground for DMD SMPS. Connect to ground plane. |
| DRST_VIN | 5 | POWER | Power supply input for LDO DMD. Connect to system power. |
| DRST_HS_IND | 6 | I/O | Connection for the DMD SMPS-inductor (high-side switch) |

表 6-1. Pin Functions (続き)

| PIN | | I/O | DESCRIPTION |
|-------------------|-----|-------|--|
| NAME | NO. | | |
| ILLUM_5P5 V | 7 | O | Filter pin for LDO ILLUM. Power supply for internal ILLUM block, typical 5.5 V |
| ILLUM_VIN | 8 | POWER | Supply input of LDO ILLUM. Connect to system power. |
| CH1_SWITCH | 9 | I | Low-side MOSFET switch for LED Cathode. Connect to RGB LED assembly. |
| CH1_SWITCH | 10 | I | Low-side MOSFET switch for LED Cathode. Connect to RGB LED assembly. |
| RLIM_1 | 11 | O | Connection to LED current sense resistor for CH1 and CH2 |
| RLIM_BOT_K_2 | 12 | I | Kelvin sense connection to ground side of LED current sense resistor |
| RLIM_K_2 | 13 | I | Kelvin sense connection to top side of current sense resistor |
| RLIM_BOT_K_1 | 14 | I | Kelvin sense connection to ground side of LED current sense resistor |
| RLIM_K_1 | 15 | I | Kelvin sense connection to top side of current sense resistor |
| RLIM_1 | 16 | O | Connection to LED current sense resistor for CH1 and CH2 |
| CH2_SWITCH | 17 | I | Low-side MOSFET switch for LED cathode. Connect to RGB LED assembly. |
| CH2_SWITCH | 18 | I | Low-side MOSFET switch for LED cathode. Connect to RGB LED assembly. |
| CH1_GATE_CTRL | 19 | O | Gate control of CH1 external MOSFET switch for LED cathode |
| CH2_GATE_CTRL | 20 | O | Gate control of CH2 external MOSFET switch for LED cathode |
| CH3_GATE_CTRL | 21 | O | Gate control of CH3 external MOSFET switch for LED cathode |
| RLIM_2 | 22 | O | Connection to LED current sense resistor for CH3 |
| RLIM_2 | 23 | O | Connection to LED current sense resistor for CH3 |
| CH3_SWITCH | 24 | I | Low-side MOSFET switch for LED Cathode. Connect to RGB LED assembly. |
| CH3_SWITCH | 25 | I | Low-side MOSFET switch for LED Cathode. Connect to RGB LED assembly. |
| ILLUM_HSIDE_DRIVE | 26 | O | Gate control for external high-side MOSFET for ILLUM Buck converter |
| ILLUM_LSIDE_DRIVE | 27 | O | Gate control for external low-side MOSFET for ILLUM Buck converter |
| ILLUM_A_BOOST | 28 | I | Supply voltage for high-side N-channel MOSFET gate driver. A-100 nF capacitor (typical) must be connected between this pin and ILLUM_A_SW. |
| ILLUM_A_FB | 29 | I | Input to the buck converter loop controlling I_{LED} |
| ILLUM_A_VIN | 30 | POWER | Power input to the ILLUM Driver A |
| ILLUM_A_SW | 31 | I/O | Switch node connection between high-side NFET and low-side NFET. Serves as common connection for the flying high side FET driver |
| ILLUM_A_PGND | 32 | GND | Ground connection to the ILLUM Driver A |
| ILLUM_B_BOOST | 33 | I | Supply voltage for high-side N-channel MOSFET gate driver |
| ILLUM_B_VIN | 34 | POWER | Power input to the ILLUM driver B |
| ILLUM_B_FB | 35 | I | Input to the buck converter loop controlling I_{LED} |
| ILLUM_B_SW | 36 | I/O | Switch node connection between high-side NFET and low-side NFET |
| ILLUM_B_PGND | 37 | GND | Ground connection to the ILLUM driver B |
| ILLUM_A_COMP1 | 38 | I/O | Connection node for feedback loop components |
| ILLUM_A_COMP2 | 39 | I/O | Connection node for feedback loop components |
| ILLUM_B_COMP1 | 40 | I/O | Connection node for feedback loop components |
| ILLUM_B_COMP2 | 41 | I/O | Connection node for feedback loop components |
| THERMAL_PAD | 42 | GND | Thermal pad. Connect to clean system ground. |
| CLK_OUT | 43 | O | No connect. Reserved for color wheel clock output |
| CW_SPEED_PWM_OUT | 44 | O | No connect. Reserved for color wheel PWM output |
| SPI_VIN | 45 | I | Supply for SPI interface |
| SPI_CLK | 46 | I | SPI clock input |
| SPI_MISO | 47 | O | SPI data output |
| SPI_SS_Z | 48 | I | SPI chip select (active low) |

表 6-1. Pin Functions (続き)

| PIN | | I/O | DESCRIPTION |
|-------------------|-----|-------|---|
| NAME | NO. | | |
| SPI_MOSI | 49 | I | SPI data input |
| PWR7_BOOST | 50 | I | Reserved for general purpose buck converter. Charge-pump-supply input for the high-side FET gate drive circuit. Connect a 100 nF-capacitor between PWR7_BOOST and PWR7_SWITCH pins. |
| PWR7_FB | 51 | I | Reserved for general purpose buck converter. Converter feedback input. Connect to converter output voltage. |
| PWR7_VIN | 52 | POWER | Reserved for general purpose buck converter. Power supply input for converter |
| PWR7_SWITCH | 53 | I/O | Reserved for general purpose buck converter. Switch node connection between high-side NFET and low-side NFET |
| PWR7_PGND | 54 | GND | Reserved for general purpose buck converter. Ground pin. Power ground return for switching circuit |
| ACMPR_LABB_SAMPLE | 55 | I | Control signal to sample voltage at ACMPR_IN_LABB |
| PROJ_ON | 56 | I | Input signal to enable/disable the IC and DLP projector |
| RESET_Z | 57 | O | Reset output to the DLP system (active low). Pin is held low to reset DLP system. |
| INT_Z | 58 | O | Interrupt output signal (open drain, active low). Connect to pullup resistor. |
| DGND | 59 | GND | Digital ground. Connect to ground plane. |
| CH_SEL_0 | 60 | I | Control signal to enable either of CH1,2,3 |
| CH_SEL_1 | 61 | I | Control signal to enable either of CH1,2,3 |
| PWR6_PGND | 62 | GND | Ground pin. Power ground return for switching circuit |
| PWR6_SWITCH | 63 | I/O | Switch node connection between high-side NFET and low-side NFET |
| PWR6_VIN | 64 | POWER | Power supply input for converter |
| PWR6_BOOST | 65 | I | Charge-pump-supply input for the high-side FET gate drive circuit. Connect 100-nF capacitor between PWR6_BOOST and PWR6_SWITCH pins. |
| PWR6_FB | 66 | I | Converter feedback input. Connect to output voltage. |
| PWR5_VIN | 67 | POWER | Reserved for general purpose buck converter. Power supply input for converter |
| PWR5_SWITCH | 68 | I/O | Reserved for general purpose buck converter. Switch node connection between high-side NFET and low-side NFET |
| PWR5_BOOST | 69 | I | Reserved for general purpose buck converter. Charge-pump-supply input for the high-side FET gate drive circuit. Connect 100-nF capacitor between PWR5_BOOST and PWR5_SWITCH pins. |
| PWR5_PGND | 70 | GND | Reserved for general purpose buck converter. Ground pin. Power ground return for switching circuit |
| PWR5_FB | 71 | I | Reserved for general purpose buck converter. Converter feedback input. Connect to output voltage. |
| PWR2_FB | 72 | I | Converter feedback input. Connect to output voltage. |
| PWR2_PGND | 73 | GND | Ground pin. Power ground return for switching circuit |
| PWR2_SWITCH | 74 | I/O | Switch node connection between high-side NFET and low-side NFET |
| PWR2_VIN | 75 | POWER | Power supply input for converter |
| PWR2_BOOST | 76 | I | Charge-pump-supply input for the high-side FET gate drive circuit. Connect 100-nF capacitor between PWR2_BOOST and PWR2_SWITCH pins. |
| ACMPR_IN_1 | 77 | I | Reserved. Input for analog sensor signal |
| ACMPR_IN_2 | 78 | I | Input for analog sensor signal |
| ACMPR_IN_3 | 79 | I | Input for analog sensor signal |
| ACMPR_IN_LABB | 80 | I | Input for ambient light sensor, sampled input |
| ACMPR_OUT | 81 | O | Analog comparator out |
| ACMPR_REF | 82 | I | Reference voltage input for analog comparator |
| PWR_VIN | 83 | POWER | Power supply input for LDO_Bucks. Connect to system power. |

表 6-1. Pin Functions (続き)

| PIN | | I/O | DESCRIPTION |
|-------------|-----|-------|--|
| NAME | NO. | | |
| PWR_5P5V | 84 | O | Filter pin for LDO_BUCKS. Internal analog supply for buck converters, typical 5.5 V |
| VINA | 85 | POWER | Input voltage supply pin for reference system |
| AGND | 86 | GND | Analog ground pin |
| PWR3_OUT | 87 | O | Filter pin for LDO_2 DMD/DLPC/AUX, typical 2.5 V |
| PWR3_VIN | 88 | POWER | Power supply input for LDO_2. Connect to system power. |
| PWR4_OUT | 89 | O | Filter pin for LDO_1 DMD/DLPC/AUX, typical 3.3 V |
| PWR4_VIN | 90 | POWER | Power supply input for LDO_1. Connect to system power. |
| SUP_2P5V | 91 | O | Filter pin for LDO_V2V5. Internal supply voltage, typical 2.5 V |
| SUP_5P0V | 92 | O | Filter pin for LDO_V5V. Internal supply voltage, typical 5 V |
| PWR1_PGND | 93 | GND | Ground pin. Power ground return for switching circuit |
| PWR1_FB | 94 | I | Converter feedback input. Connect to output voltage. |
| PWR1_SWITCH | 95 | I/O | Switch node connection between high-side NFET and low-side NFET |
| PWR1_VIN | 96 | POWER | Power supply input for converter |
| PWR1_BOOST | 97 | I | Charge-pump-supply input for the high-side FET gate drive circuit. Connect 100-nF capacitor between PWR1_BOOST and PWR1_SWITCH pins. |
| DMD_VOFFSET | 98 | O | VOFS output rail. Connect to ceramic capacitor. |
| DMD_VBIAS | 99 | O | VBIAS output rail. Connect to ceramic capacitor. |
| DMD_VRESET | 100 | O | VRESET output rail. Connect to ceramic capacitor. |

7 Specifications

7.1 Absolute Maximum Ratings

over operating free-air temperature (unless otherwise noted) ⁽¹⁾

| | | MIN | MAX | UNIT |
|------------------|--|------|-----|------|
| Voltage | ILLUM_A,B_BOOST | -0.3 | 28 | V |
| | ILLUM_A,B_BOOST (10 ns transient) | -0.3 | 30 | |
| | ILLUM_A,B_BOOST vs ILLUM_A,B_SWITCH | -0.3 | 7 | |
| | ILLUM_LSIDE_DRIVE | -0.3 | 7 | |
| | ILLUM_HSIDE_DRIVE | -2 | 28 | |
| | ILLUM_A_BOOST vs ILLUM_HSIDE_DRIVE | -0.3 | 7 | |
| | ILLUM_A,B_SW | -2 | 22 | |
| | ILLUM_A,B_SW (10 ns transient) | -3 | 27 | |
| | PWR_VIN, PWR1,2,3,4,5,6,7_VIN, VINA, ILLUM_VIN, ILLUM_A,B_VIN, DRST_VIN | -0.3 | 22 | |
| | PWR1,2,5,6,7_BOOST | -0.3 | 28 | |
| | PWR1,2,5,6,7_BOOST (10 ns transient) | -0.3 | 30 | |
| | PWR1,2,5,6,7_SWITCH | -2 | 22 | |
| | PWR1,2,5,6,7_SWITCH (10 ns transient) | -3 | 27 | |
| | PWR1,2,5,6,7_FB | -0.3 | 6.5 | |
| | PWR1,2,5,6,7_BOOST vs PWR1,2,5,6,7_SWITCH | -0.3 | 6.5 | |
| | CH1,2,3_SWITCH, DRST_LS_IND, ILLUM_A,B_FB | -0.3 | 20 | |
| | ILLUM_A,B_COMP1,2, INT_Z, PROJ_ON | -0.3 | 7 | |
| | DRST_HS_IND | -18 | 7 | |
| | ACMPR_IN_1,2,3, ACMPR_REF, ACMPR_IN_LABB, ACMPR_LABB_SAMPLE, ACMPR_OUT | -0.3 | 3.6 | |
| | SPI_VIN, SPI_CLK, SPI_MOSI, SPI_SS_Z, SPI_MISO, CH_SEL_0,1, RESET_Z | -0.3 | 3.6 | |
| | RLIM_K_1,2, RLIM_1,2 | -0.3 | 3.6 | |
| | DGND, AGND, DRST_PGND, ILLUM_A,B_PGND, PWR1,2,5,6,7_PGND, RLIM_BOT_K_1,2 | -0.3 | 0.3 | |
| | DRST_5P5V, ILLUM_5P5V, PWR_5P5, PWR3,4_OUT, SUP_5P0V | -0.3 | 7 | |
| | CH1,2,3_GATE_CTRL | -0.3 | 7 | |
| | CLK_OUT | -0.3 | 3.6 | |
| | CW_SPEED_PWM | -0.3 | 7 | |
| | SUP_2P5V | -0.3 | 3.6 | |
| DMD_VOFFSET | -0.3 | 12 | | |
| DMD_VBIAS | -0.3 | 20 | | |
| DMD_VRESET | -18 | 7 | | |
| Source current | RESET_Z, ACMPR_OUT | | 1 | mA |
| | SPI_DOUT | | 5.5 | |
| Sink current | RESET_Z, ACMPR_OUT | | 1 | mA |
| | SPI_DOUT, INT_Z | | 5.5 | |
| T _{stg} | Storage temperature | -65 | 150 | °C |

- (1) Operation outside the Absolute Maximum Ratings may cause permanent device damage. Absolute Maximum Ratings do not imply functional operation of the device at these or any other conditions beyond those listed under Recommended Operating Conditions. If outside the Recommended Operating Conditions but within the Absolute Maximum Ratings, the device may not be fully functional, and this may affect device reliability, functionality, performance, and shorten the device lifetime.

7.2 ESD Ratings

| | | VALUE | UNIT |
|--|--|-------|------|
| $V_{(ESD)}$ ⁽¹⁾ Electrostatic discharge | Human-body model (HBM), per ANSI/ESDA/JEDEC JS-001, all pins ⁽²⁾ | ±2000 | V |
| | Charged-device model (CDM), per JEDEC specification JESD22-C101, all pins ⁽³⁾ | ±500 | |

- (1) Electrostatic discharge (ESD) to measure device sensitivity and immunity to damage caused by assembly line electrostatic discharges in to the device.
(2) JEDEC document JEP155 states that 500 V HBM allows safe manufacturing with a standard ESD control process.
(3) JEDEC document JEP157 states that 250 V CDM allows safe manufacturing with a standard ESD control process.

7.3 Recommended Operating Conditions

over operating free-air temperature range (unless otherwise noted)

| | | MIN | MAX | UNIT |
|--------------------------------------|---|------|------|------|
| V_i Input voltage | PWR_VIN, PWR1,2,3,4,5,6,7_VIN, VINA, ILLUM_VIN, ILLUM_A,B_VIN, DRST_VIN | 6 | 20 | V |
| | CH1,2,3_SWITCH, ILLUM_A,B_FB, | -0.1 | 20 | |
| | PROJ_ON | -0.1 | 6 | |
| | PWR1,2,5,6,7_FB | -0.1 | 5 | |
| | ACMPR_REF, CH_SEL_0,1, SPI_CLK, SPI_MOSI, SPI_SS_Z | -0.1 | 3.6 | |
| | RLIM_BOT_K_1,2 | -0.1 | 0.1 | |
| | ACMPR_IN_1,2,3, LABB_IN_LABB | -0.1 | 1.5 | |
| | SPI_VIN | 1.7 | 3.6 | |
| | RLIM_K_1,2 | -0.1 | 0.25 | |
| | ILLUM_A,B_COMP1,2 | -0.1 | 5.7 | |
| T_A Ambient temperature | | 0 | 70 | °C |
| T_J Operating junction temperature | | 0 | 120 | °C |

7.4 Thermal Information

| THERMAL METRIC ⁽¹⁾ | | DLPA3000 | UNIT |
|---|--|-------------|------|
| | | HTQFP (PFD) | |
| | | 100 PINS | |
| $R_{\theta JA}$ Junction-to-ambient thermal resistance ⁽²⁾ | | 7.0 | °C/W |
| $R_{\theta JC(top)}$ Junction-to-case (top) thermal resistance ⁽³⁾ | | 0.7 | °C/W |
| ψ_{JT} Junction-to-top characterization parameter ⁽⁴⁾ | | 0.6 | °C/W |
| ψ_{JB} Junction-to-board characterization parameter ⁽⁵⁾ | | 3.4 | °C/W |

- (1) For more information about traditional and new thermal metrics, see the *Semiconductor and IC Package Thermal Metrics* application report (SPRA953).
(2) The junction-to-ambient thermal resistance under natural convection is obtained in a simulation on a JEDEC-standard, high-K board, but since the device is intended to be cooled with a heatsink from the top case of the package, the simulation includes a fan and heatsink attached to the DLPA3000. The heatsink is a 22 mm × 22 mm × 12 mm aluminum pin fin heatsink with a 12 × 12 × 3 mm stud. Base thickness is 2 mm and pin diameter is 1.5 mm with an array of 6 × 6 pins. The heatsink is attached to the DLPA3000 with 100 um thick thermal grease with 3 W/m-K thermal conductivity. The fan is 20 × 20 × 8 mm with 1.6 cfm open volume flow rate and 0.22 in. water pressure at stagnation.
(3) The junction-to-case (top) thermal resistance is obtained by simulating a cold plate test on the package top. No specific JEDEC standard test exists, but a close description can be found in the ANSI SEMI standard G30-88.
(4) The junction-to-top characterization parameter, ψ_{JT} , estimates the junction temperature of a device in a real system and is extracted from the simulation data for obtaining $R_{\theta JA}$, using a procedure described in JESD51-2a (sections 6 and 7), but modified to include the fan and heatsink described in note 2.
(5) The junction-to-board characterization parameter, ψ_{JB} , estimates the junction temperature of a device in a real system and is extracted from the simulation data for obtaining $R_{\theta JA}$, using a procedure described in JESD51-2a (sections 6 and 7), but modified to include the fan and heatsink described in note 2.

7.5 Electrical Characteristics

over operating free-air temperature range. $V_{IN} = 12\text{ V}$, $T_A = 0$ to $+70^\circ\text{C}$, typical values are at $T_A = 25^\circ\text{C}$, configuration according to *Typical Applications* ($V_{IN} = 12\text{ V}$, $I_{OUT} = 6\text{ A}$, LED, internal FETs) (unless otherwise noted).

| PARAMETER | | TEST CONDITIONS | MIN | TYP | MAX | UNIT |
|---------------------------|-------------------------------|--|------------------|------|------|---------------|
| SUPPLIES | | | | | | |
| INPUT VOLTAGE | | | | | | |
| V_{IN} | Input voltage range | VINA – pin | 6 ⁽⁵⁾ | 12 | 20 | V |
| V_{LOW_BAT} | Low battery warning threshold | VINA falling (through a 5-bit trim function) | 3.9 | | 18.4 | V |
| | Hysteresis | VINA rising | | 90 | | mV |
| V_{UVLO} ⁽⁶⁾ | UVLO threshold | VINA falling (through a 5-bit trim function) | 3.9 | 6.22 | 18.4 | V |
| | Hysteresis | VINA rising | | 90 | | mV |
| $V_{STARTUP}$ | Startup voltage | DMD_VBIAS, DMD_VOFFSET, DMD_VRESET loaded with 10 mA | 6 | | | V |
| INPUT CURRENT | | | | | | |
| I_{IDLE} | Idle current | IDLE mode, all VIN pins combined | | 15 | | μA |
| I_{STD} | Standby current | STANDBY mode, analog, internal supplies and LDOs enabled, DMD, ILLUMINATION and BUCK CONVERTERS disabled | | 3.7 | | mA |
| I_{Q_DMD} | Quiescent current (DMD) | Quiescent current DMD block (in addition to I_{STD}), VINA + DRST_VIN | | 0.49 | | mA |
| I_{Q_ILLUM} | Quiescent current (ILLUM) | Quiescent current ILLUM block (in addition to I_{STD}) in 6 A LED configuration, internal FETs, $V_{openloop} = 3\text{ V}$ (, VINA + ILLUM_VIN + ILLUM_A_VIN + ILLUM_B_VIN | | 21 | | mA |
| I_{Q_BUCK} | Quiescent current (per BUCK) | Quiescent current per BUCK converter (in addition to I_{STD}), Normal mode, VINA + PWR_VIN + PWR1,2,5,6,7_VIN, PWR1,2,5,6,7_VOUT = 1 V | | 4.3 | | mA |
| | | Quiescent current per BUCK converter (in addition to I_{STD}), Normal mode, VINA + PWR_VIN + PWR1,2,5,6,7_VIN, PWR1,2,5,6,7_VOUT = 5 V | | 15 | | |
| | | Quiescent current per BUCK converter (in addition to I_{STD}), Cycle-skipping mode, VINA + PWR_VIN + PWR1,2,5,6,7_VIN = 1 V | | 0.41 | | |
| | | Quiescent current per BUCK converter (in addition to I_{STD}), Cycle-skipping mode, VINA + PWR_VIN + PWR1,2,5,6,7_VIN = 5 V | | 0.46 | | |
| I_{Q_TOTAL} | Quiescent current (Total) | Typical Application: 6 A LED, Internal FETs, DMD. ACTIVE mode, all VIN pins combined, DMD, ILLUMINATION and PWR1,2 enabled, PWR3,4,5,6,7 disabled | | 38 | | mA |
| INTERNAL SUPPLIES | | | | | | |
| V_{SUP_5P0V} | Internal supply, analog | | | 5 | | V |
| V_{SUP_2P5V} | Internal supply, logic | | | 2.5 | | V |

7.5 Electrical Characteristics (続き)

over operating free-air temperature range. $V_{IN} = 12\text{ V}$, $T_A = 0\text{ to }+70^\circ\text{C}$, typical values are at $T_A = 25^\circ\text{C}$, configuration according to *Typical Applications* ($V_{IN} = 12\text{ V}$, $I_{OUT} = 6\text{ A}$, LED, internal FETs) (unless otherwise noted).

| PARAMETER | | TEST CONDITIONS | MIN | TYP | MAX | UNIT |
|--------------------------|---|---|------|------|-----|------|
| DMD—LDO DMD | | | | | | |
| V_{DRST_VIN} | | | 6 | 12 | 20 | V |
| V_{DRST_5P5V} | | | | 5.5 | | V |
| PGOOD | Power good DRST_5P5V | Rising | | 80% | | |
| | | Falling | | 60% | | |
| OVP | Overvoltage protection DRST_5P5V | | | 7.2 | | V |
| | Regulator dropout | At 25 mA, $V_{DRST_VIN} = 5.5\text{ V}$ | | 56 | | mV |
| | Regulator current limit ⁽¹⁾ | | 300 | 340 | 400 | mA |
| DMD—REGULATOR | | | | | | |
| $R_{DS(ON)}$ | MOSFET ON-resistance | Switch A (from DRST_5P5V to DRST_HS_IND) | | 920 | | mΩ |
| | | Switch B (from DRST_LS_IND to DRST_PGND) | | 450 | | |
| V_{FW} | Forward voltage drop | Switch C (from DRST_LS_IND to DRST_VBIAS ⁽¹⁾), $V_{DRST_LS_IND} = 2\text{ V}$, $I_F = 100\text{ mA}$ | | 1.21 | | V |
| | | Switch D (from DRST_LS_IND to DRST_VOFFSET ⁽¹⁾), $V_{DRST_LS_IND} = 2\text{ V}$, $I_F = 100\text{ mA}$ | | 1.22 | | |
| t_{DIS} | Rail Discharge time | $C_{OUT} = 1\text{ }\mu\text{F}$ | | | 40 | μs |
| t_{PG} | Power-good timeout | Not tested in production | | 15 | | ms |
| I_{LIMIT} | Switch current limit | | | 610 | | mA |
| VOFFSET REGULATOR | | | | | | |
| V_{OFFSET} | Output voltage | | | 10 | | V |
| | DC output voltage accuracy | $I_{OUT} = 10\text{ mA}$ | -0.3 | | 0.3 | V |
| | DC Load regulation | $I_{OUT} = 0\text{ mA to }10\text{ mA}$ | | -10 | | V/A |
| | DC Line regulation | $I_{OUT} = 10\text{ mA}$, $DRST_VIN = 8\text{ V to }20\text{ V}$ | | -5 | | mV/V |
| V_{RIPPLE} | Output ripple | $I_{OUT} = 10\text{ mA}$, $C_{OUT} = 1\text{ }\mu\text{F}$ | | 200 | | mVpp |
| I_{OUT} | Output current | | 0.1 | | 10 | mA |
| PGOOD | Power-good threshold (fraction of nominal output voltage) | VOFFSET rising | | 86% | | |
| | | VOFFSET falling | | 66% | | |
| C | Output capacitor | Recommended value ⁽⁴⁾ (use same value as output capacitor on VRESET) | 1 | | | μF |
| | | $t_{DISCHARGE} < 40\text{ }\mu\text{s}$ at $V_{IN} = 8\text{ V}$ | | | 1 | |
| VBIAS REGULATOR | | | | | | |
| V_{BIAS} | Output voltage | | | 18 | | V |
| | DC output voltage accuracy | $I_{OUT} = 10\text{ mA}$ | -0.3 | | 0.3 | V |
| | DC Load regulation | $I_{OUT} = 0\text{ mA to }10\text{ mA}$ | | -18 | | V/A |
| | DC Line regulation | $I_{OUT} = 10\text{ mA}$, $DRST_VIN = 8\text{ V to }20\text{ V}$ | | -3 | | mV/V |
| V_{RIPPLE} | Output ripple | $I_{OUT} = 10\text{ mA}$, $C_{OUT} = 470\text{ nF}$ | | 200 | | mVpp |
| I_{OUT} | Output current | | 0.1 | | 10 | mA |
| PGOOD | Power-good threshold (fraction of nominal output voltage) | VBIAS rising | | 86% | | |
| | | VBIAS falling | | 66% | | |

7.5 Electrical Characteristics (続き)

over operating free-air temperature range. $V_{IN} = 12\text{ V}$, $T_A = 0\text{ to }+70^\circ\text{C}$, typical values are at $T_A = 25^\circ\text{C}$, configuration according to *Typical Applications* ($V_{IN} = 12\text{ V}$, $I_{OUT} = 6\text{ A}$, LED, internal FETs) (unless otherwise noted).

| PARAMETER | | TEST CONDITIONS | MIN | TYP | MAX | UNIT |
|-------------------------------|---|---|------|------|-----|------------------|
| C | Output capacitor | Recommended value (use same or smaller value as output capacitors VOFFSET / VRESET) | 470 | | | nF |
| | | $t_{DISCHARGE} < 40\ \mu\text{s}$ at $V_{IN} = 8\text{ V}$ | | | 470 | |
| VRESET REGULATOR | | | | | | |
| V_{RST} | Output voltage | | | -14 | | V |
| | DC output voltage accuracy | $I_{OUT} = 10\text{ mA}$ | -0.3 | | 0.3 | V |
| | DC Load regulation | $I_{OUT} = 0\text{ mA to }10\text{ mA}$ | | -4 | | V/A |
| | DC Line regulation | $I_{OUT} = 10\text{ mA}$, DRST_VIN = 8 V to 20 V | | -2 | | mV/V |
| V_{RIPPLE} | Output ripple | $I_{OUT} = 10\text{ mA}$, $C_{OUT} = 1\ \mu\text{F}$ | | 120 | | mVpp |
| I_{OUT} | Output current | | 0.1 | | 10 | mA |
| PGOOD | Power-good threshold | | | 90% | | |
| C | Output capacitor | Recommended value ⁽⁴⁾ (use same value as output capacitor on VOFFSET) | 1 | | | μF |
| | | $t_{DISCHARGE} < 40\ \mu\text{s}$ at $V_{IN} = 8\text{ V}$ | | | 1 | |
| DMD—BUCK CONVERTERS | | | | | | |
| OUTPUT VOLTAGE | | | | | | |
| $V_{PWR_1_VOUT}$ | Output Voltage | | | 1.1 | | V |
| $V_{PWR_2_VOUT}$ | Output Voltage | | | 1.8 | | V |
| | DC output voltage accuracy | $I_{OUT} = 0\text{ mA}$ | -3% | | 3% | |
| MOSFET | | | | | | |
| $R_{ON,H}$ | High side switch resistance | 25°C , $V_{PWR_1,2_Boost} - V_{PWR1,2_SWITCH} = 5.5\text{ V}$ | | 150 | | $\text{m}\Omega$ |
| $R_{ON,L}$ | Low side switch resistance ⁽¹⁾ | 25°C | | 85 | | $\text{m}\Omega$ |
| LOAD CURRENT | | | | | | |
| | Allowed load current ⁽²⁾ | | | | 3 | A |
| I_{OCL} | Current limit ⁽¹⁾ | $L_{OUT} = 3.3\ \mu\text{H}$ | 3.2 | 3.6 | 4.2 | A |
| ON-TIME TIMER CONTROL | | | | | | |
| t_{ON} | On time | $V_{IN} = 12\text{ V}$, $V_O = 5\text{ V}$ | | 120 | | ns |
| $t_{OFF(MIN)}$ | Minimum off time ⁽¹⁾ | $T_A = 25^\circ\text{C}$, $V_{FB} = 0\text{ V}$ | | 270 | | ns |
| START-UP | | | | | | |
| | Soft start | | 1 | 2.5 | 4 | ms |
| PGOOD | | | | | | |
| Ratio _{OV} | Overvoltage protection | | | 120% | | |
| Ratio _{PG} | Relative power good level | Low to high | | 72% | | |
| ILLUMINATION—LDO ILLUM | | | | | | |
| V_{ILLUM_VIN} | | | 6 | 12 | 20 | V |
| V_{ILLUM_5P5V} | | | | 5.5 | | V |
| PGOOD | Power good ILLUM_5P5V | Rising | | 80% | | |
| | | Falling | | 60% | | |
| OVP | Overvoltage protection ILLUM_5P5V | | | 7.2 | | V |
| | Regulator dropout | At 25 mA, $V_{ILLUM_VIN} = 5.5\text{ V}$ | | 53 | | mV |
| | Regulator current limit ⁽¹⁾ | | 300 | 340 | 400 | mA |

7.5 Electrical Characteristics (続き)

over operating free-air temperature range. $V_{IN} = 12\text{ V}$, $T_A = 0\text{ to }+70^\circ\text{C}$, typical values are at $T_A = 25^\circ\text{C}$, configuration according to *Typical Applications* ($V_{IN} = 12\text{ V}$, $I_{OUT} = 6\text{ A}$, LED, internal FETs) (unless otherwise noted).

| PARAMETER | | TEST CONDITIONS | MIN | TYP | MAX | UNIT |
|---|--|---|-------|------|------|------|
| ILLUMINATION—DRIVER A,B | | | | | | |
| V_{ILLUM_A,B_IN} | Input supply voltage range | | 6 | 12 | 20 | V |
| PWM | | | | | | |
| f_{SW} | Oscillator frequency | $3\text{ V} < V_{IN} < 20\text{ V}$ | | 600 | | kHz |
| t_{DEAD} | Output driver dead time | HDRV off to LDRV on, TRDLY = 0 | | 28 | | ns |
| | | HDRV off to LDRV on, TRDLY = 1 | | 40 | | |
| | | LDRV off to HDRV on, TRDLY = 0 | | 35 | | |
| MAXIMUM CURRENTS | | | | | | |
| HSD OC | High-side drive over current | Internal switches, I_{DS} threshold, single buck (6 A use case) | | 9.5 | | A |
| LSD MC | Low-side drive maximum allowed current | Both directions In or Out. Internal switches, I_{DS} threshold, single buck (6 A use case) | | 9.5 | | A |
| BOOT DIODE | | | | | | |
| V_{DFWD} | Bootstrap diode forward voltage | $I_{BOOT} = 5\text{ mA}$ | | 0.75 | | V |
| PGOOD | | | | | | |
| RatioUV | Undervoltage protection | | | 89% | | |
| POWER FETs | | | | | | |
| R_{ON} | Power FETs | High-Side, $T_A = 25^\circ\text{C}$, $V_{ILLUM_A,B_BOOST} - I_{ILLUM_A,B_SW} = 5.5\text{ V}$ | | 150 | | mΩ |
| | | Low-side, $T_A = 25^\circ\text{C}$ | | 85 | | |
| LED CURRENT CONTROL | | | | | | |
| V_{LED_ANODE} | LED anode voltage ⁽¹⁾ | Ratio with respect to V_{ILLUM_A,B_VIN} (Duty cycle limitation) | 0.85x | | | V |
| | | | | | 7.2 | |
| I_{LED} | LED currents | $V_{ILLUM_A,B_VIN} \geq 8\text{ V}$. See register SWx_IDAC[9:0] (Register Maps) for settings. | 300 | | 6000 | mA |
| | DC current offset, CH1,2,3_SWITCH | $R_{LIM} = 25\text{ m}\Omega$ | -75 | 0 | 75 | mA |
| | Transient LED current limit range (programmable) | 20% higher than I_{LED} . Min-setting, $R_{LIM} = 25\text{ m}\Omega$ | | 0.67 | | A |
| | | 20% higher than I_{LED} . Max-setting, $R_{LIM} = 25\text{ m}\Omega$ | | 8 | | |
| t_{RISE} | Current rise time | I_{LED} from 5% to 95%, $I_{LED} = 300\text{ mA}$, transient current limit disabled ⁽¹⁾ | | | 50 | μs |
| BUCK CONVERTERS—LDO_BUCKS | | | | | | |
| V_{PWR_VIN} | Input voltage range PWR1,2,5,6,7_VIN | | 6 | 12 | 20 | V |
| V_{PWR_5P5V} | PWR_5P5V | | | 5.5 | | V |
| PGOOD | Power good PWR_5P5V | Rising | | 80% | | |
| | | Falling | | 60% | | |
| OVP | Overvoltage Protection PWR_5P5V | | | 7.2 | | V |
| | Regulator dropout | At 25 mA, $V_{PWR_VIN} = 5.5\text{ V}$ | | 41 | | mV |
| | Regulator current limit ⁽¹⁾ | | 300 | 340 | 400 | mA |
| BUCK CONVERTER—GENERAL PURPOSE BUCK CONVERTER ⁽⁷⁾ | | | | | | |

7.5 Electrical Characteristics (続き)

over operating free-air temperature range. $V_{IN} = 12\text{ V}$, $T_A = 0\text{ to }+70^\circ\text{C}$, typical values are at $T_A = 25^\circ\text{C}$, configuration according to *Typical Applications* ($V_{IN} = 12\text{ V}$, $I_{OUT} = 6\text{ A}$, LED, internal FETs) (unless otherwise noted).

| PARAMETER | | TEST CONDITIONS | MIN | TYP | MAX | UNIT |
|------------------------------|---|--|-------|------|------|------|
| OUTPUT VOLTAGE | | | | | | |
| V_{PWR6_VOUT} | Output voltage (General purpose buck2) | 8-bit programmable | 1 | | 5 | V |
| | DC output voltage accuracy | $I_{OUT} = 0\text{ mA}$ | -3.5% | | 3.5% | |
| MOSFET | | | | | | |
| $R_{ON,H}$ | High side switch resistance | 25°C , $V_{PWR6_Boost} - V_{PWR6_SWITCH} = 5.5\text{ V}$ | | 150 | | mΩ |
| $R_{ON,L}$ | Low side switch resistance ⁽¹⁾ | 25°C | | 85 | | mΩ |
| LOAD CURRENT | | | | | | |
| | Allowed load current PWR6 ⁽²⁾ | | | 2 | | A |
| I_{OCL} | Current limit ^{(1) (2)} | $L_{OUT} = 3.3\text{ }\mu\text{H}$ | 3.2 | 3.6 | 4.2 | A |
| ON-TIME TIMER CONTROL | | | | | | |
| t_{ON} | On time | $V_{IN} = 12\text{ V}$, $V_O = 5\text{ V}$ | | 120 | | ns |
| $t_{OFF(MIN)}$ | Minimum off time ⁽¹⁾ | $T_A = 25^\circ\text{C}$, $V_{FB} = 0\text{ V}$ | | 270 | 310 | ns |
| START-UP | | | | | | |
| | Soft start | | 1 | 2.5 | 4 | ms |
| PGOOD | | | | | | |
| Ratio _{OV} | Overvoltage protection | | | 120% | | |
| Ratio _{PG} | Relative power good level | Low to high | | 72% | | |
| AUXILIARY LDOs | | | | | | |
| $V_{PWR3,4_VIN}$ | Input voltage range | LDO1 (PWR4), LDO2 (PWR3) | 3.3 | 12 | 20 | V |
| PGOOD | Power good PWR3,4_VOUT | PWR3,4_VOUT rising | | 80% | | |
| | | PWR3,4_VOUT falling | | 60% | | |
| OVP | Overvoltage protection PWR3,4_VOUT | | | 7 | | V |
| | DC output voltage accuracy PWR3,4_VOUT | $I_{OUT} = 0\text{ mA}$ | -3% | | 3% | |
| | Regulator current limit ⁽¹⁾ | | 300 | 340 | 400 | mA |
| t_{ON} | Turn-on time | to 80% of $V_{OUT} = \text{PWR3 and PWR4}$, $C = 1\text{ }\mu\text{F}$ | | 40 | | μs |
| LDO2 (PWR3) | | | | | | |
| V_{PWR3_VOUT} | Output voltage PWR3_VOUT | | | 2.5 | | V |
| | Load current capability | | | 200 | | mA |
| | DC load regulation PWR3_VOUT | $V_{OUT} = 2.5\text{ V}$, $I_{OUT} = 5\text{ mA to }200\text{ mA}$ | | -70 | | mV/A |
| | DC line regulation PWR3_VOUT | $V_{OUT} = 2.5\text{ V}$, $I_{OUT} = 5\text{ mA}$, $PWR3_VIN = 3.3\text{ to }20\text{ V}$ | | 30 | | μV/V |
| LDO1 (PWR4) | | | | | | |
| V_{PWR4_VOUT} | Output voltage PWR4_VOUT | | | 3.3 | | V |
| | Load current capability | | | 200 | | mA |
| | DC load regulation PWR4_VOUT | $V_{OUT} = 3.3\text{ V}$, $I_{OUT} = 5\text{ mA to }200\text{ mA}$ | | -70 | | mV/A |
| | DC line regulation PWR4_VOUT | $V_{OUT} = 3.3\text{ V}$, $I_{OUT} = 5\text{ mA}$, $PWR4_VIN = 4\text{ to }20\text{ V}$ | | 30 | | μV/V |
| | Regulator dropout | At 25 mA, $V_{OUT} = 3.3\text{ V}$, $V_{PWR4_VIN} = 3.3\text{ V}$ | | 48 | | mV |
| MEASUREMENT SYSTEM | | | | | | |

7.5 Electrical Characteristics (続き)

over operating free-air temperature range. $V_{IN} = 12\text{ V}$, $T_A = 0\text{ to }+70^\circ\text{C}$, typical values are at $T_A = 25^\circ\text{C}$, configuration according to *Typical Applications* ($V_{IN} = 12\text{ V}$, $I_{OUT} = 6\text{ A}$, LED, internal FETs) (unless otherwise noted).

| PARAMETER | | TEST CONDITIONS | MIN | TYP | MAX | UNIT |
|--|--------------------------------------|---|-------------------------------|-----|-------------------------------|------|
| LABB | | | | | | |
| T _{RC} | Settling time | To 1% of final value ⁽¹⁾ | | 4.6 | 6.6 | μs |
| | | To 0.1% of final value ⁽¹⁾ | | 7 | 10 | |
| V _{ACMPR_IN_LABB} | Input voltage range ACMPR_IN_LABB | | 0 | | 1.5 | V |
| | Sampling window ACMPR_IN_LABB | Programmable per 7 μs | 7 | | 28 | μs |
| DIGITAL CONTROL - LOGIC LEVELS AND TIMING CHARACTERISTICS | | | | | | |
| V _{SPI_VIN} | SPI supply voltage range | SPI_VIN | 1.7 | | 3.6 | V |
| V _{OL} | Output low-level | RESET_Z, ACMPR_OUT, CLK_OUT. I _O = 0.3 mA sink current | 0 | | 0.3 | V |
| | | SPI_DOUT. I _O = 5 mA sink current | 0 | | 0.3 × V _{SPI_VIN} | |
| | | INT_Z. I _O = 1.5 mA sink current | 0 | | 0.3 × V _{SPI_VIN} | |
| V _{OH} | Output high-level | RESET_Z, ACMPR_OUT, CLK_OUT. I _O = 0.3 mA source current | 1.3 | | 2.5 | V |
| | | SPI_DOUT. I _O = 5 mA source current | 0.7 × V _{SPI_VIN} | | V _{SPI_VIN} | |
| V _{IL} | Input low-level | PROJ_ON, CH_SEL_0, CH_SEL_1 | 0 | | 0.4 | V |
| | | SPI_CSZ, SPI_CLK, SPI_DIN | 0 | | 0.3 × V _{SPI_VIN} | |
| V _{IH} | Input high-level | PROJ_ON, CH_SEL_0, CH_SEL_1 | 1.2 | | | V |
| | | SPI_CSZ, SPI_CLK, SPI_DIN | 0.7 × V _{SPI_VIN} | | V _{SPI_VIN} | |
| I _{BIAS} | Input bias current | V _{IO} = 3.3 V, any digital input pin | | | 0.1 | μA |
| S _{PI_CLK} | SPI clock frequency ⁽³⁾ | Normal SPI mode, DIG_SPI_FAST_SEL = 0, f _{OSC} = 9 MHz | 0 | | 36 | MHz |
| | | Fast SPI mode, DIG_SPI_FAST_SEL = 1, V _{SPI_VIN} > 2.3 V, f _{OSC} = 9 MHz | 20 | | 40 | |
| t _{DEGLITCH} | Deglitch time | CH_SEL_0, CH_SEL_1 ⁽¹⁾ | | 300 | | ns |
| INTERNAL OSCILLATOR | | | | | | |
| f _{OSC} | Oscillator frequency | | | 9 | | MHz |
| | Frequency accuracy | T _A = 0 to 70°C | -5% | | 5% | |
| THERMAL SHUTDOWN | | | | | | |
| T _{WARN} | Thermal warning (HOT threshold) | | | 120 | | °C |
| | Hysteresis | | | 10 | | |
| T _{SHTDWN} | Thermal shutdown (TSD threshold) | | | 150 | | °C |
| | Hysteresis | | | 15 | | |

- (1) Not production tested
- (2) Take care to not exceed the max power dissipation. Refer to [セクション 11.6](#).
- (3) Maximum depends linearly on oscillator frequency f_{OSC}.
- (4) Take care that the capacitor has the specified capacitance at the related voltage, that is, V_{OFFSET}, V_{BIAS}, or V_{RESET}.
- (5) V_{IN} must be higher than the UVLO voltage setting, including after accounting for AC noise on V_{IN}, for the DLPA3000 to fully operate. While 6.0 V is the min V_{IN} voltage supported, TI recommends that the UVLO is never set below 6.21 V for fault fast power down. 6.21 V gives margin above 6.0 V to protect against the case where someone suddenly removes V_{IN}'s power supply, which causes the V_{IN} voltage to drop rapidly. Failure to keep V_{IN} above 6.0V before the mirrors are parked and VOFS, VRST, and VBIAS supplies are

properly shut down can result in permanent damage to the DMD. Since 6.21 V is .21 V above 6.0 V, when UVLO trips there is time for the DLPA3000 and DLPC343x to park the DMD mirrors and do a fast shut down of supplies VOFS, VRST, and VBIAS. For whatever UVLO setting is used, if VIN's power supply is suddenly removed enough bulk capacitance should be included on VIN inside the projector to keep VIN above 6.0 V for at least 100 μ s after UVLO trips.

- (6) UVLO should not be used for normal power down operation, it is meant as a protection from power loss.
- (7) General purpose buck2 (PWR6) is currently supported.

7.6 SPI Timing Parameters

SPI_VIN = 3.6 V, T_A = 0 to 70°C, C_L = 10 pF (unless otherwise noted).

| PARAMETER | | MIN | MAX | UNIT |
|------------|---|-----|-----|------|
| f_{CLK} | Serial clock frequency | 0 | 40 | MHz |
| t_{CLKL} | Pulse width low, SPI_CLK, 50% level | 10 | | ns |
| t_{CLKH} | Pulse width high, SPI_CLK, 50% level | 10 | | ns |
| t_t | Transition time, 20% to 80% level, all signals | 0.2 | 4 | ns |
| t_{CSCR} | SPI_SS_Z falling to SPI_CLK rising, 50% level | 8 | | ns |
| t_{CFCS} | SPI_CLK falling to SPI_CSZ rising, 50% level | | 1 | ns |
| t_{CDS} | SPI_MOSI data setup time, 50% level | 7 | | ns |
| t_{CDH} | SPI_MOSI data hold time, 50% level | 6 | | ns |
| t_{IS} | SPI_MISO data setup time, 50% level | 10 | | ns |
| t_{IH} | SPI_MISO data hold time, 50% level | 0 | | ns |
| t_{CFDO} | SPI_CLK falling to SPI_MISO data valid, 50% level | | 13 | ns |
| t_{CSZ} | SPI_CSZ rising to SPI_MISO HiZ | | 6 | ns |

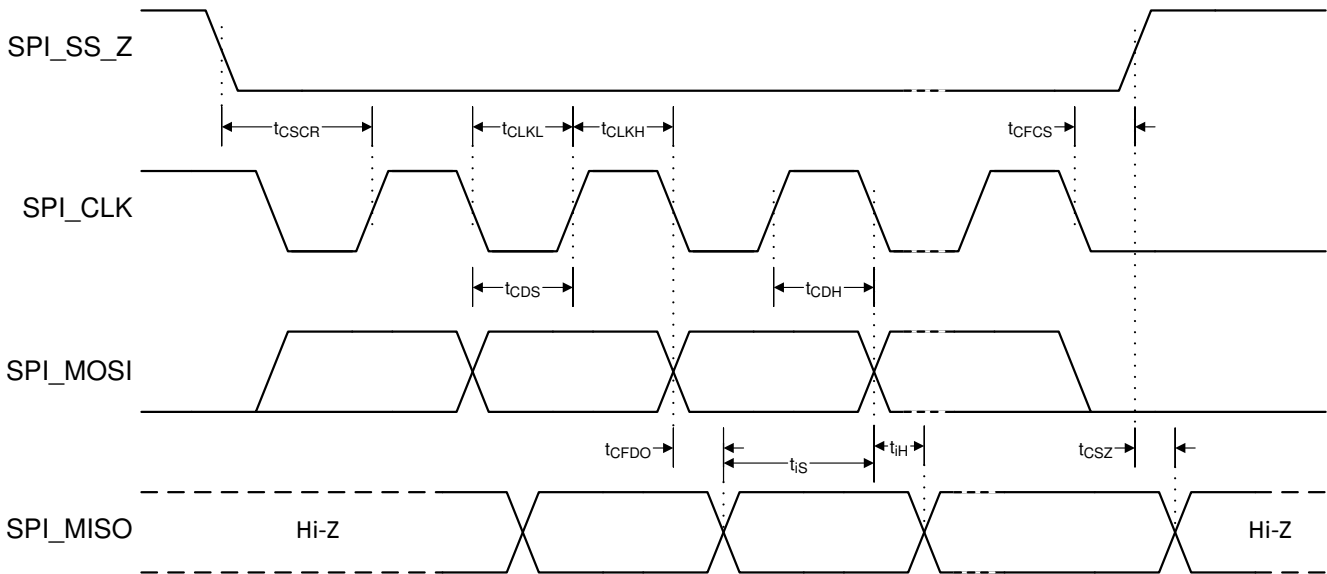


图 7-1. SPI Timing Diagram

8 Detailed Description

8.1 Overview

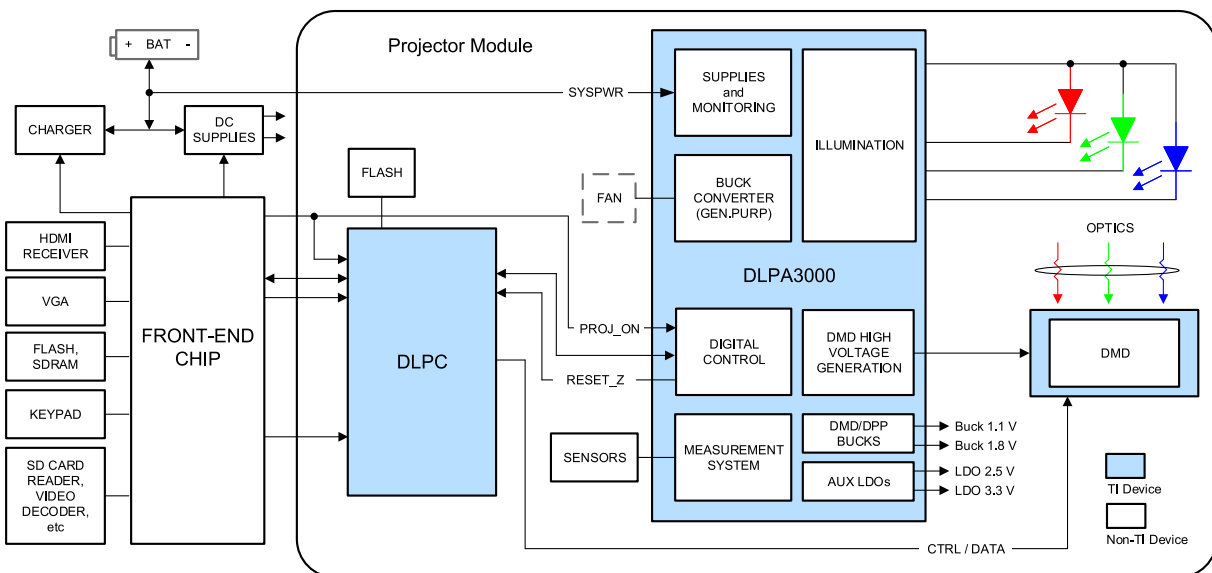
The DLPA3000 is a highly integrated power management IC optimized for DLP Pico Projector systems. It is targeting accessory applications up to several hundreds of lumen and is designed to support a wide variety of high-current LEDs. *Functional Block Diagram* shows a typical DLP Pico Projector implementation using the DLPA3000.

Part of the projector is the projector module which is an optimized combination of components consisting of for instance DLPA3000, LEDs, DMD, DLPC chip, memory and optional sensors/fan. The front-end chip controls the projector module. More information about the system and projector module configuration can be found in a separate application note.

Within the DLPA3000 several blocks can be distinguished. The blocks are listed below and subsequently discussed in detail:

1. Supply and monitoring: Creates internal supply and reference voltages and has functions – such as thermal protection and low battery warning
2. Illumination: Block to control the light. Contains drivers, strobe decoder for the LEDs and power conversion
3. DMD: Generates voltages and their specific timing for the DMD. Contains regulators and DMD/DLPC buck converters
4. Buck converter: General purpose buck converter.
5. Auxiliary LDOs: Fixed voltage LDOs for customer usage
6. Measurement system: Analog front end to measure internal and external signals
7. Digital control: SPI, digital control

8.2 機能ブロック図



8.3 Feature Description

8.3.1 Supply and Monitoring

This block takes care of creating several internal supply voltages and monitors correct behavior of the device.

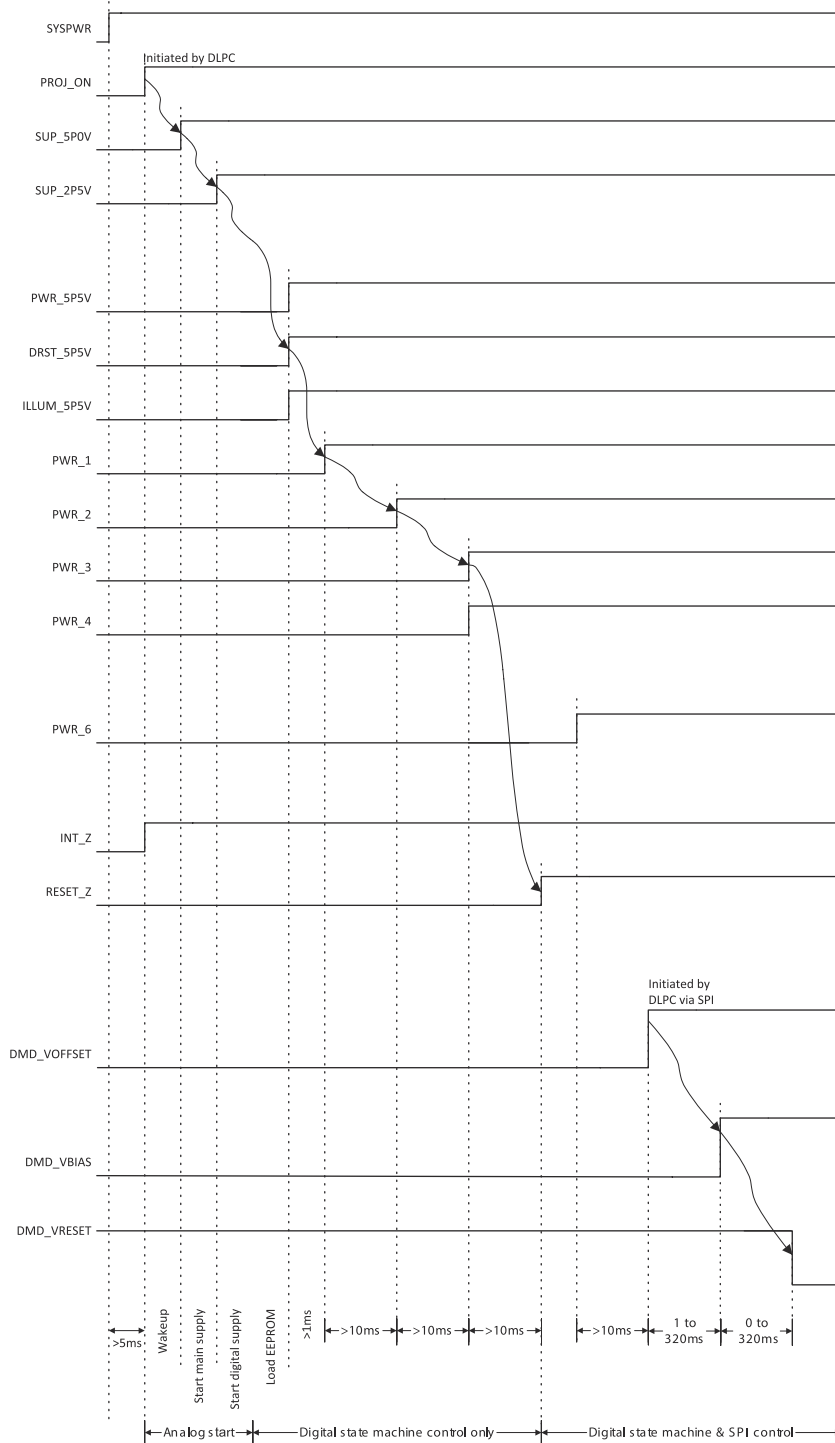
8.3.1.1 Supply

SYSPWR is the main supply of the DLPA3000. It can range from 6 V to 20 V, where the typical is 12 V. At power-up, several (internal) power supplies are started one after the other to make the system work correctly (Figure 8-1). A sequential startup provides that all the different blocks start in a certain order and prevent excessive startup currents. The main control to start the DLPA3000 is the control pin PROJ_ON. Once set high, the *basic* analog

circuitry is started, which is needed to operate the digital and SPI interface. This circuitry is supplied by two LDO regulators that generate 2.5 V (SUP_2P5V) and 5 V (SUP_5P0V). These regulator voltages are for internal use only and not loaded by an external application. The output capacitors of those LDOs must be 2.2 μ F for the 2.5 V LDO and 4.7 μ F for the 5 V LDO, pin 91 and 92, respectively. Once these are up the digital core is started, and the DLPA3000 Digital State Machine (DSM) takes over.

Subsequently, the 5.5 V LDOs for various blocks are started: PWR_5V5V, DRST_5P5V and ILLUM_5P5V. Next, the buck converters and DMD LDOs are started (PWR_1 to PWR_4). The DLPA3000 is now awake and ready to be controlled by the DLPC (indicated by RESET_Z going high).

Lastly, the general purpose buck converters (PWR_6) can be started (if used) as well as the regulator that supplies the DMD. The DMD regulator generates the timing critical VOFFSET, VBIAS, and VRESET supplies.



1. Arrows indicate sequence of events automatically controlled by digital state machine. Other events are initiated under SPI control.
2. SUP_5P0V and SUP_2P5V rise to a precharge level with SYSPWR, and reach the full level potential after PROJ_ON is pulled high.

図 8-1. Powerup Timing

8.3.1.2 Monitoring

Several possible faults are monitored by the DLPA3000. If a fault has occurred and the type of the fault can be read in the [Main Status register \(0x0C\)](#). Subsequently, an interrupt can be generated if a fault occurs. The fault conditions that generate an interrupt can be configured in the [Interrupt Mask register \(0x0D\)](#).

8.3.1.2.1 Block Faults

Fault conditions for several supplies (see [表 8-5](#)) can be observed such as the low voltage supplies [SUPPLY_FAULT](#) (0x0C, bit 7). [ILLUM_FAULT](#) (0x0C, bit 6) monitors correct supply and voltage levels in the illumination block and [DMD_FAULT](#) (0x0C, bit 4) monitors a correct function of DMD block. The [PROJ_ON_INT](#) (0x0C, bit 5) indicates if PROJ_ON was asserted.

8.3.1.2.2 Low Battery and UVLO

The low battery warning register [BAT_LOW_WARN](#)(0x0C, bit 2) and battery low shutdown register [BAT_LOW_SHUT](#)(0x0C, bit 3) (see [図 8-2](#)) also monitor the battery voltage (input supply). They warn for a low V_{IN} supply voltage or automatically shut down the DLPA3000 when the V_{IN} supply drops below a predefined level, respectively. The threshold levels for these fault conditions have hysteresis. This hysteresis depends on the selected threshold voltage and is depicted in [図 8-3](#). It is recommended to set the low battery voltage higher than the undervoltage lock out such that a warning is generated before the device goes into shutdown.

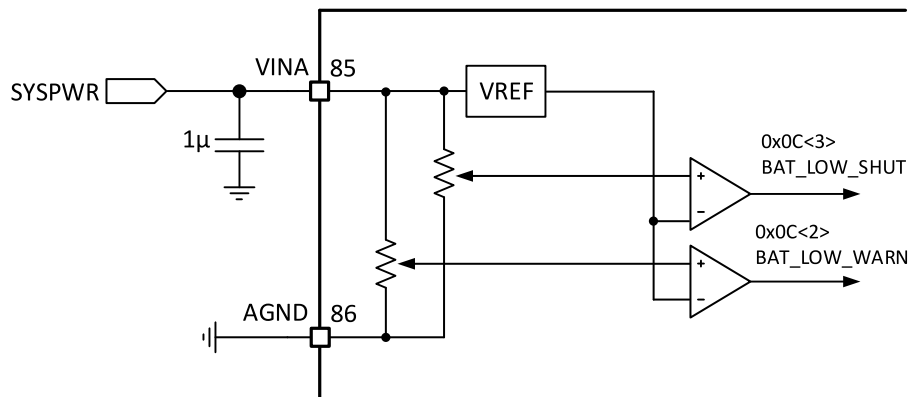


図 8-2. Battery Voltage Monitoring

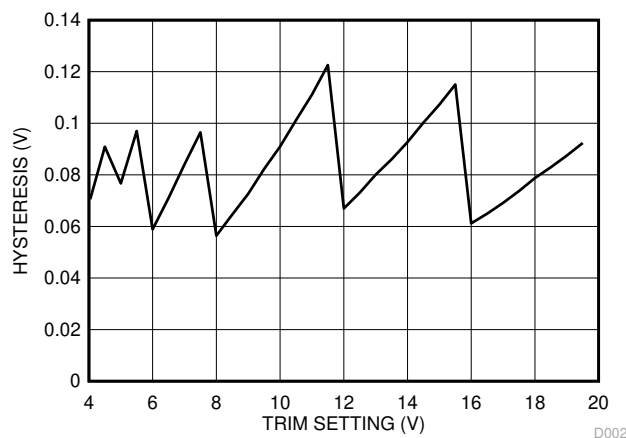


図 8-3. Hysteresis on V_{LOW_BAT} and V_{UVLO}

8.3.1.2.3 Auto LED Turn Off Functionality

The DLPA3000 can be supplied from either a battery pack or an adapter. The DLPA3000 uses several warning and detection levels to prevent system damage when the supply voltage drops below the predefined level or an interruption occurs.

For example, interruption of the supply voltage occurs when the adapter switches to another main outlet. If a battery pack is installed, the system power control should switch to the battery pack. A change of supply voltage from, for instance, 20 V to 8 V can occur, and thus the OVP level (which is ratio-metric; see [Ratio Metric Overvoltage Protection](#)) could become lower than V_{LED} . An OVP fault will be triggered and the system will switch off.

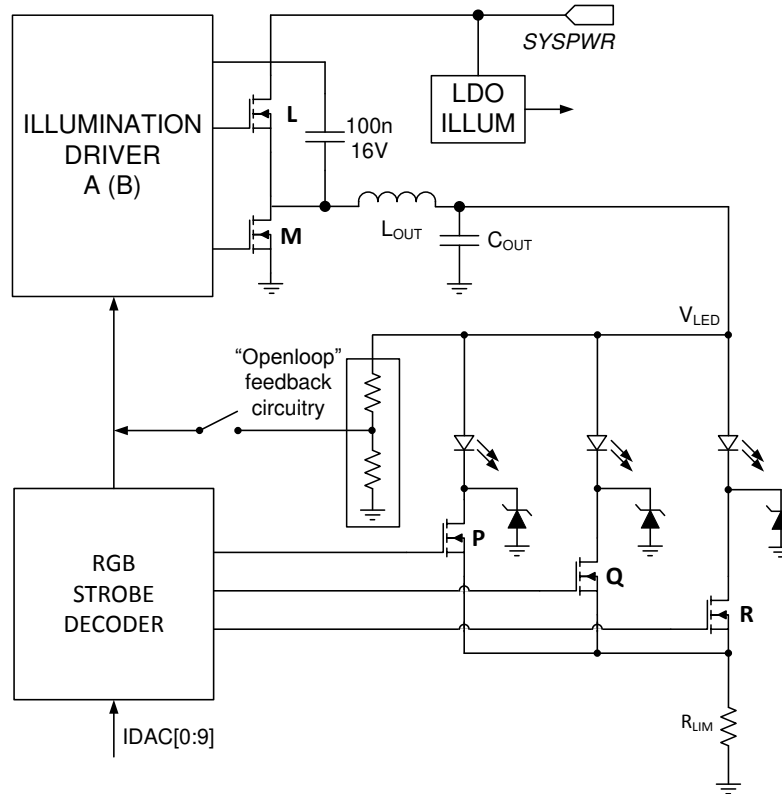
The [ILLUM_LED_AUTO_OFF_EN](#) (0x01, bit 2) function can be used to prevent the system from turning off in these circumstances. This function disables the LEDs when the supply voltage drops below LED auto off level. Keep the LED auto off level the same as the [BAT_LOW_WARN](#) (0x0C, bit 2) level. When the [ILLUM_LED_AUTO_OFF_EN](#) (0x01, bit 2) function is enabled, once a supply voltage drop is detected to below LED auto off level, the LEDs switch off and the system starts sending lower current levels to have a lower V_{LED} . After using lower currents, the LEDs can be switched on again by disabling the [ILLUM_LED_AUTO_OFF_EN](#) (0x01, bit 2) function. As a result, the system can continue working at the lower supply voltage using a lower intensity. The system monitors the [BAT_LOW_WARN](#) (0x0C, bit2) status, and once the main adapter is plugged in again (seen by [BAT_LOW_WARN](#) (0x0C, bit2) being low), the [ILLUM_LED_AUTO_OFF_EN](#) (0x01, bit 2) function can be enabled again. The LED currents can be restored to their original levels from before the supply voltage drop.

8.3.1.2.4 Thermal Protection

The chip temperature is constantly monitored to prevent overheating of the device. There are two levels of a fault condition. The first is [TS_WARN](#) (0x0C, bit 0) to warn for overheating. This is an indication that the chip temperature raises to a critical temperature. The next level of warning is [TS_SHUT](#) (0x0C, bit 1). This occurs at a higher temperature than [TS_WARN](#) (0x0C, bit 0) and shuts down the chip to prevent permanent damage. Both temperature faults have hysteresis on their levels to prevent rapid switching around the temperature threshold.

8.3.2 Illumination

The illumination function includes all blocks needed to generate light for the DLP system. To set the current through the LEDs accurately, use a control loop (☒ 8-4). The intended LED current is set through IDAC[9:0]. The Illumination driver controls the LED anode voltage V_{LED} and as a result a current flows through one of the LEDs. The LED current is measured from the voltage across sense resistor R_{LIM} . Based on the difference between the actual and intended current, the loop controls the output of the buck converter (V_{LED}) higher or lower. Which LED conducts the current is controlled by switches P, Q, and R. The *Openloop feedback circuitry* ensures that the control loop can be closed for cases when there is no path through the LED; for example, when $I_{LED} = 0$.



8-4. Illumination Control Loop

Within the illumination block, the following blocks can be distinguished:

- Programmable gain block
- LDO ILLUM: analog supply voltage for internal illumination blocks
- Illumination driver A: primary driver using internal FETs
- Illumination driver B: secondary driver – for future purpose; will not be discussed
- RGB strobe decoder: driver for external switches to control the on-off rhythm of the LEDs and measures the LED current

8.3.2.1 Programmable Gain Block

The current through the LEDs is determined by a digital number stored in the respective [SWx_IDAC\(x\) registers \(0x03 to 0x08\)](#). These registers determine the LED current which is measured through the sense resistor R_{LIM} . The voltage across R_{LIM} is compared with the current setting from the [SWx_IDAC\(x\) registers \(0x03 to 0x08\)](#) and the loop regulates the current to its set value.

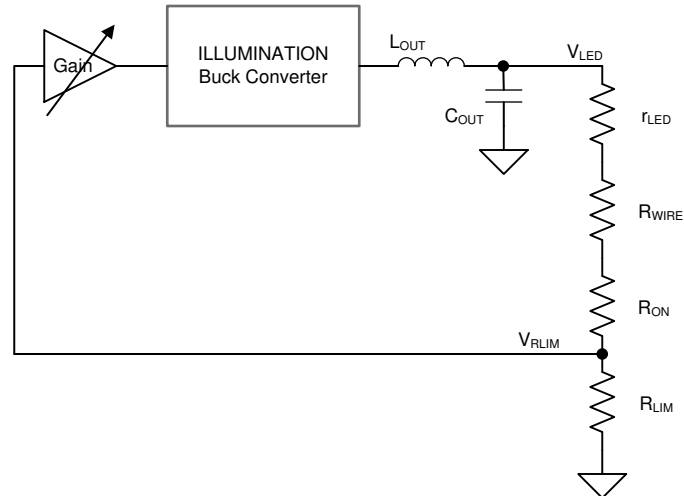


図 8-5. Programmable Gain Block in the Illumination Control Loop

When current is flowing through an LED, a forward voltage is built up over the LED. The LED also represents a (low) differential resistance, which is part of the load circuit for V_{LED} . Together with the wire resistance (R_{WIRE}) and the R_{ON} resistance of the FET switch, a voltage divider is created with R_{LIM} that is a factor in the loop gain of the ILED control. Under normal conditions, the loop is able to produce a well-regulated LED current of up to 6 A.

Since this voltage divider is part of the control loop, care must be taken while designing the system.

For instance, when two LEDs are connected in series, or when a relatively high wiring resistance is present in the loop, the loop gain will reduce due to the extra attenuation caused by the increased series resistances of $r_{LED} + R_{WIRE} + R_{ON}$. As a result, the loop response time is shortened. The loop gain is set to a default value which achieves good performance and no further adjustments are necessary.

As discussed previously, wiring resistance also impacts the control-loop performance. It is advisable to prevent unnecessary large-wire length in the loop. Keeping wiring resistance as low as possible is good for efficiency reasons. In case wiring resistance still impacts the response time of the loop, an appropriate setting of the gain block can be selected. The same goes for connector resistance and PCB tracks. Note that every milliohm ($m\Omega$) counts. These precautions help to maintain the proper functioning of the I_{LED} current loop.

8.3.2.2 LDO Illum

This regulator is dedicated to the illumination block and provides an analog supply of 5.5 V to the internal circuitry. It is recommended to use a 1- μ F capacitor on the input and a 10- μ F capacitor on the output of the LDO.

8.3.2.3 Illumination Driver A

The illumination driver of the DLPA3000 is a buck converter with two internal low-ohmic N-channel FETs (see 図 8-6). The theory of operation of a buck converter is explained in [Understanding Buck Power Stages in Switchmode Power Supplies](#). For proper operation, selection of the external components is very important, especially the inductor L_{OUT} and the output capacitor C_{OUT} . For best efficiency and ripple performance, an inductor and capacitor should be chosen with low equivalent series resistance (ESR). Set the voltage rating of the capacitor equal or greater than two times of the applied voltage across the capacitor in the application.

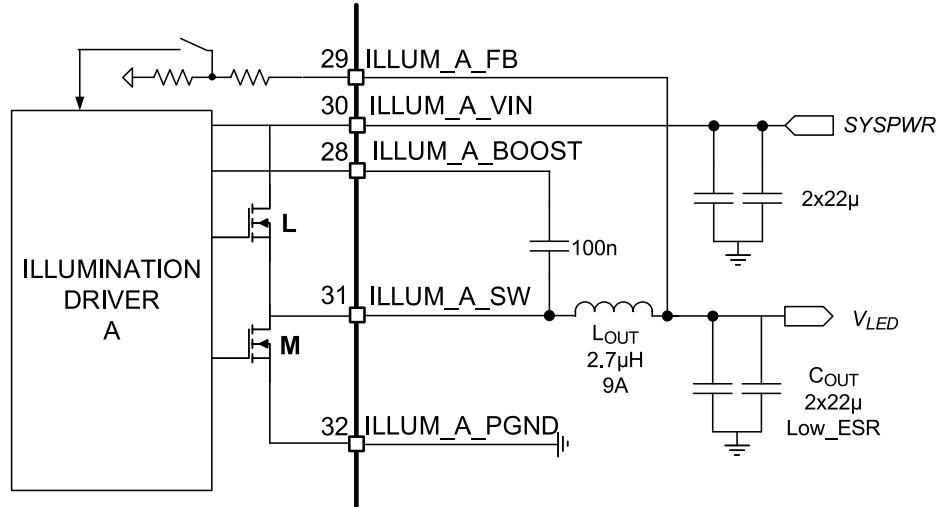


図 8-6. Typical Illumination Driver Configuration

Several factors determine the component selection of the buck converter, such as input voltage (SYS_PWR), desired output voltage (V_{LED}) and the allowed output current ripple. Configuration starts with selecting the inductor L_{OUT} .

The value of the inductance of a buck power stage is selected such that the peak-to-peak ripple current flowing in the inductor stays within a certain range. Here, the target is set to have an inductor current ripple, k_{I_RIPPLE} , less than 0.3 (30%). The minimum inductor value can be calculated given the input and output voltage, output current, switching frequency of the buck converter ($f_{SWITCH} = 600$ kHz) and inductor ripple of 0.3 (30%):

$$L_{OUT} = \frac{V_{OUT} \cdot (V_{IN} - V_{OUT})}{k_{I_RIPPLE} \cdot I_{OUT} \cdot f_{SWITCH}} \quad (1)$$

Example: $V_{IN} = 12$ V, $V_{OUT} = 4.3$ V, $I_{OUT} = 6$ A results in an inductor value of $L_{OUT} = 2.7$ μ H

Once the inductor is selected, the output capacitor C_{OUT} can be determined. The value is calculated using the fact that the frequency compensation of the illumination loop has been designed for an LC-tank resonance frequency of 15 kHz:

$$f_{RES} = \frac{1}{2 \cdot \pi \cdot \sqrt{L_{OUT} \cdot C_{OUT}}} = 15\text{kHz} \quad (2)$$

Example: $C_{OUT} = 41.7$ μ F given that $L_{OUT} = 2.7$ μ H. A practical value is 2×22 μ F. Here a parallel connection of two capacitors is chosen to lower the ESR even further.

The selected inductor and capacitor determine the output voltage ripple. The resulting output voltage ripple V_{LED_RIPPLE} is a function of the inductor ripple k_{I_RIPPLE} , output current I_{OUT} , switching frequency f_{SWITCH} and the capacitor value C_{OUT} :

$$V_{LED_RIPPLE} = \frac{k_{I_RIPPLE} \cdot I_{OUT}}{8 \cdot f_{SWITCH} \cdot C_{OUT}} \quad (3)$$

Example: $k_{I_RIPPLE} = 0.3$, $I_{OUT} = 6$ A, $f_{SWITCH} = 600$ kHz and $C_{OUT} = 44$ μ F results in an output voltage ripple of $V_{LED_RIPPLE} = 8.5$ mVpp

As can be seen, this is a relative small ripple.

It is strongly advised to keep the capacitance value low. The larger the capacitor value the more energy is stored. In case of a V_{LED} going down, stored energy needs to be dissipated. This might result in a large discharge current. For a V_{LED} step down from V_1 to V_2 , while the LED current was I_1 . The theoretical peak reverse current is:

$$I_{2,MAX} = \sqrt{\frac{C_{OUT}}{L_{OUT}} \times (V_1^2 - V_2^2) + I_1^2} \quad (4)$$

For the single-LED case, it is advised to keep C_{OUT} at maximum 44 μF .

Two other components need to be selected in the buck converter. The value of the input-capacitor (pin ILLUM_A_VIN) should be equal to or greater than the selected output capacitance C_{OUT} , in this case $>44 \mu\text{F}$. The capacitor between ILLUM_A_SWITCH and ILLUM_A_BOOST is a charge pump capacitor to drive the high side FET. The recommended value is 100 nF.

8.3.2.4 RGB Strobe Decoder

The DLPA3000 contains circuitry to sequentially control the three color-LEDs (red, green and blue). This circuitry consists of three NMOS switches, the actual strobe decoder, and the LED current control (Figure 8-7). The NMOS switches are connected to the cathode terminals of the external LED package and turn on and off the currents through the LEDs.

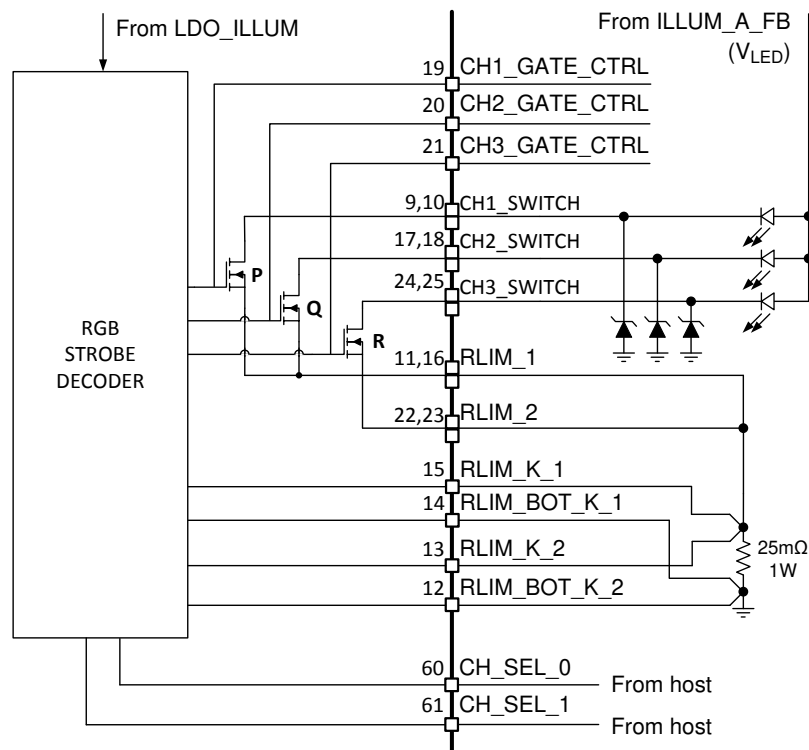


Figure 8-7. Switch Connection for a Common-Anode LED assembly

The NMOS FETs P, Q, and R are controlled by the CH_SEL_0 and CH_SEL_1 pins. CH_SEL[1:0] typically receive a rotating code switching from RED to GREEN to BLUE and then back to RED. The relation between CH_SEL[0:1] and which switch is closed is indicated in Table 8-1.

表 8-1. Switch Positions for Common Anode RGB LEDs

| PINS CH_SEL[1:0] | SWITCH | | | IDAC REGISTER |
|------------------|--------|--------|--------|---------------|
| | P | Q | R | |
| 00 | Open | Open | Open | N/A |
| 01 | Closed | Open | Open | SW1_IDAC[9:0] |
| 10 | Open | Closed | Open | SW2_IDAC[9:0] |
| 11 | Open | Open | Closed | SW3_IDAC[9:0] |

Besides enabling one of the switches, CH_SEL[1:0] also selects a 10-bit current setting for the control IDAC that is used as the set current for the LED. This set current together with the measured current through R_{LIM} is used to control the illumination driver to the appropriate V_{LED} . The current through the 3 LEDs can be set independently by registers SW1_IDAC to SW3_IDAC, 0x03 to 0x08 (表 8-1).

Each current level can be set from *off* to $150\text{mV}/R_{LIM}$ in 1023 steps:

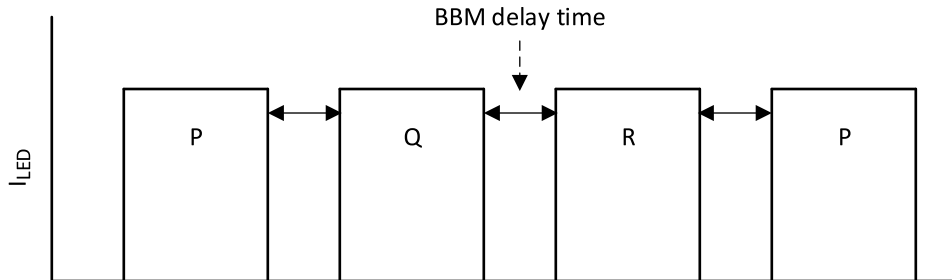
$$\text{Led current(A)} = 0 \text{ for bit value} = 0$$

$$\text{Led current(A)} = \frac{\text{Bit value} + 1}{1024} \cdot \frac{150\text{mV}}{R_{LIM}} \text{ for bit value} = 1 \text{ to } 1023 \quad (5)$$

The maximum current for $R_{LIM} = 25 \text{ m}\Omega$ is thus 6 A.

8.3.2.4.1 Break Before Make (BBM)

The switching of the three LED NMOS switches (P, Q, and R) is controlled such that a switch is returned to the OPEN position first before the subsequent switch is set to the CLOSED position (BBM) (See 图 8-8). There is delay time between opening and closing switches. Switches that already are in the CLOSED position and are to remain in the CLOSED state are not opened during the BBM delay time.

**图 8-8. BBM Timing**

8.3.2.4.2 Openloop Voltage

Several situations exist in which the control loop for the buck converter via the LED is not present. To prevent the output voltage of the buck converter to "run-away," the loop is closed by means of an internal resistive divider (see 图 8-4—Openloop feedback circuitry). Situations in which the openloop voltage control is active:

- During the BBM period. Transitions from one LED to another implies that during the BBM time all LEDs are off.
- Current setting for all three LEDs is 0.

8.3.2.4.3 Transient Current Limit

Typically the forward voltages of the GREEN and BLUE diodes are close to each other (about 3 V to 5 V) however the forward voltage of the red diode is significantly lower (2 V to 4 V). This can lead to a current spike in the RED diode when the strobe controller switches from green or blue to red. This happens because V_{LED} is initially at a higher voltage than required to drive the red diode. DLPA3000 provides transient current limiting for

each switch to limit the current in the LEDs during the transition. The transient current limit value is controlled through register `ILLUM_ILIM` (0x02, bit [6:3]). In a typical application it is required only for the RED diode. The value for `ILLUM_ILIM` (0x02, bit [6:3]) should be set at least 20% higher than the DC regulation current. Register `ILLUM_SW_ILIM_EN` (0x02, bit [2:0]) contains three bits to select which switch employs the transient current limiting feature. The effect of the transient current limit on the LED current is shown in [Figure 8-9](#).

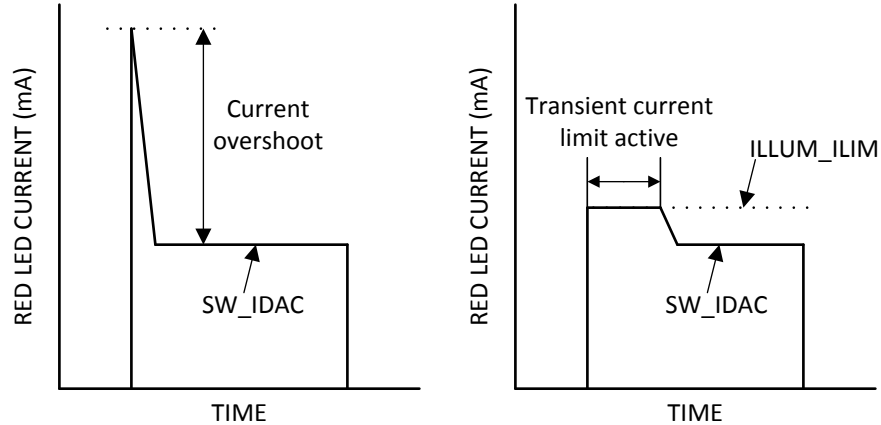


Figure 8-9. LED Current Without (Left) and With (Right) Transient Current Limit

8.3.2.5 Illumination Monitoring

The illumination block is continuously monitored for system failures to prevent damage to the DLPA3000 and LEDs. Several possible failures are monitored, such as a broken control loop and a too high or too low output voltage V_{LED} . The overall illumination fault bit is in [Main Status register \(0x0C\)](#) (`ILLUM_FAULT`). If any of the below failures occur, the `ILLUM_FAULT` bit may be set high:

- [ILLUM_BC1_PG_FAULT](#)
- [ILLUM_BC1_OV_FAULT](#)

Where PG is power good and OV is overvoltage.

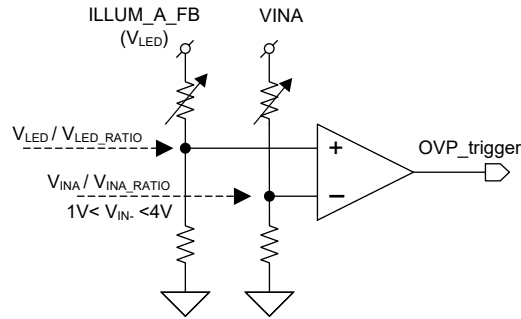
8.3.2.5.1 Power Good

Both the Illumination drivers have a power good indication. The power good for the driver indicates if the output voltage (V_{LED}) is within a defined window indicating that the LED current has reached the set point. If the LED current cannot be controlled to the intended value, this fault occurs. Subsequently, bit `ILLUM_BC1_PG_FAULT`/`ILLUM_BC2_PG_FAULT` in the [Detailed status register1 \(0x27\)](#) is set high.

8.3.2.5.2 Ratio Metric Overvoltage Protection

The DLPA3000 illumination driver LED outputs are protected against open circuit use. In case no LED is connected and the DLPA3000 device is instructed to set the LED current to a specific level, the LED voltage (`ILLUM_A_FB`) will quickly rise and potentially rail to V_{IN} . This should be prevented. The OVP protection circuit triggers once V_{LED} crosses a predefined level. As a result the DLPA3000 is switched off.

The same protection circuit is triggered in case the supply voltage (V_{INA}) will become too low to have the DLPA3000 work properly given the V_{LED} level. This protection circuit is constructed around a comparator that will sense both the LED voltage and the V_{INA} supply voltage. The fraction of the V_{INA} is connected to the minus input of the comparator while the fraction of the V_{LED} voltage is connected to the plus input. Triggering occurs when the plus input rises above the minus input and an OVP fault is set. The fraction of the V_{INA} must be set between 1 V and 4 V to ensure proper operation of the comparator.



8-10. Ratio Metric OVP

In general an OVP fault is set when

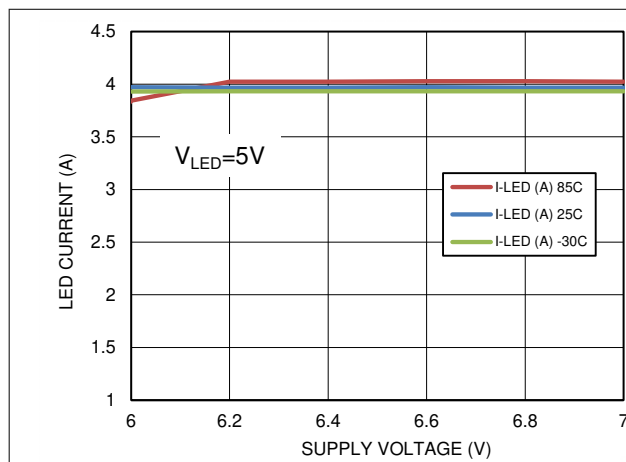
$$V_{LED}/V_{LED_RATIO} \geq V_{INA}/V_{INA_RATIO}$$

thus when:

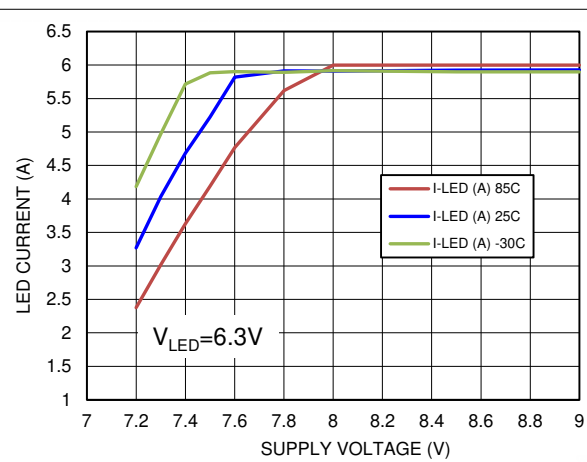
$$V_{LED} \geq V_{INA} \times V_{LED_RATIO}/V_{INA_RATIO}$$

8.3.2.6 Load Current and Supply Voltage

The DLPA3000 is designed to be able to deliver a current up to 6 Amps to a LED light source. This maximum current depends on the V_{LED} that is built up over the LED including all series resistances like R_{ON} , R_{WIRE} and R_{LIM} (see 8-5). The Illum Buck Converter needs some headroom to work properly. This paragraph shows two typical situations for a fixed LED voltage and the accompanying supply voltage range for which a current of 4A or 6A can be delivered. 8-11 shows the relation between the LED current and the supply voltage for a fixed LED voltage of 5 V, while 8-12 shows this relation for a LED voltage of 6.3 V. While varying the Supply Voltage the curve shows a constant load current for a given LED voltage above the point where the control loop can maintain a constant current, but the load current drops below the point where the loop is no longer able to keep the current on its value set by the register. This knee-point shifts to higher supply voltage with rising temperature.



8-11. 4-A Led Current at $V_{LED} = 5V$

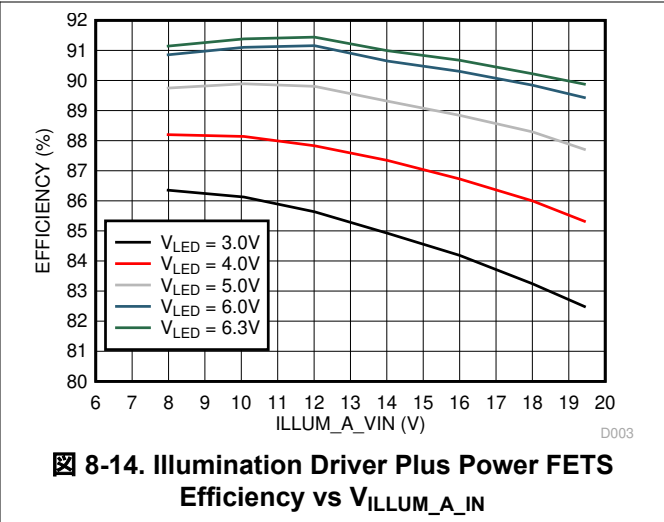
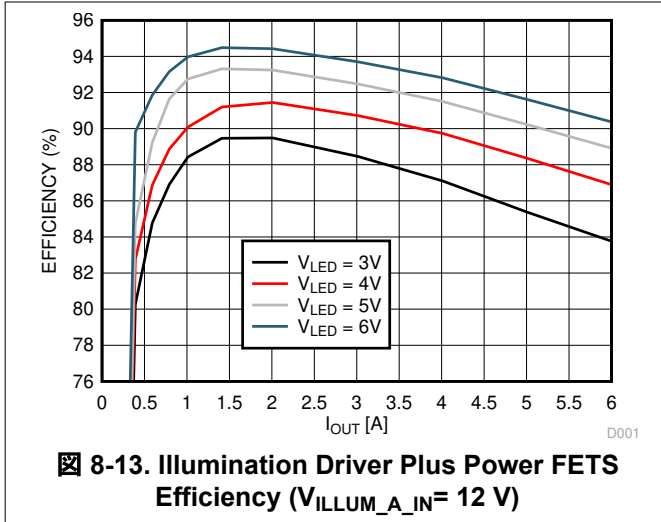


8-12. 6-A Led Current at $V_{LED} = 6.3V$

8.3.2.7 Illumination Driver Plus Power FETS Efficiency

8-13 is an overview of the efficiency of the illumination driver plus power FETS for an input voltage of 12 V. The efficiency is shown for several output voltage levels (V_{LED}) where the load current is swept.

8-14 displays the efficiency versus input voltage ($V_{ILLUM_A_VIN}$) at various output voltage levels (V_{LED}).



8.3.3 DMD Supplies

This block contains all the supplies needed for the DMD and DLPC (see Figure 8-15). The block comprises:

- LDO_DMD: for internal supply
- DMD_HV: regulator generates high voltage supplies
- Two buck converters: for DLPC/DMD voltages

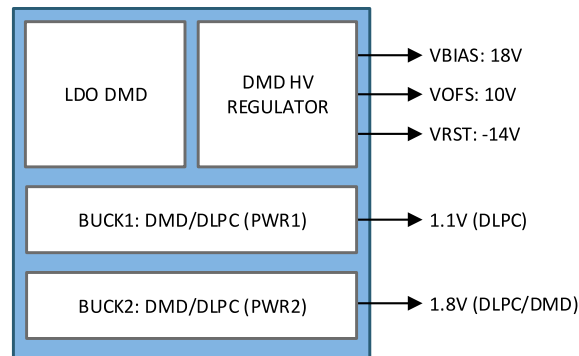


Figure 8-15. DMD Supplies Blocks

The DMD supplies block is designed to work with the DMD and the related DLPC. The DMD has its own set of supply voltage requirements. Besides the three high voltages, two supplies are needed for the DMD and the related DLPC (DLPC343x-family for instance). These supplies are made by two buck converters.

8.3.3.1 LDO DMD

This regulator is dedicated to the DMD supplies block and provides an analog supply voltage of 5.5 V to the internal circuitry. It is recommended to use a 1- μF capacitor in parallel with a 10- μF capacitor on the input and a 10- μF capacitor on the output of the LDO. Make the voltage rating of the capacitor equal or greater than two times of the applied voltage across the capacitor in the application.

8.3.3.2 DMD HV Regulator

The DMD HV regulator generates three high voltage supplies: DMD_VRESET, DMD_VBIAS and DMD_VOFFSET (see Figure 8-16). The DMD HV regulator uses a switching regulator (switch A-D), where the inductor is time shared between all three supplies. The inductor is charged up to a certain current value (current limit) and then discharged into one of the three supplies. If not all supplies need charging, the time available will

be equally shared between those that do need charging. The recommended value for the capacitors is 1 μF for V_{RST} and V_{OFS} , and 470 nF for V_{BIAS} . The inductor value is 10 μH .

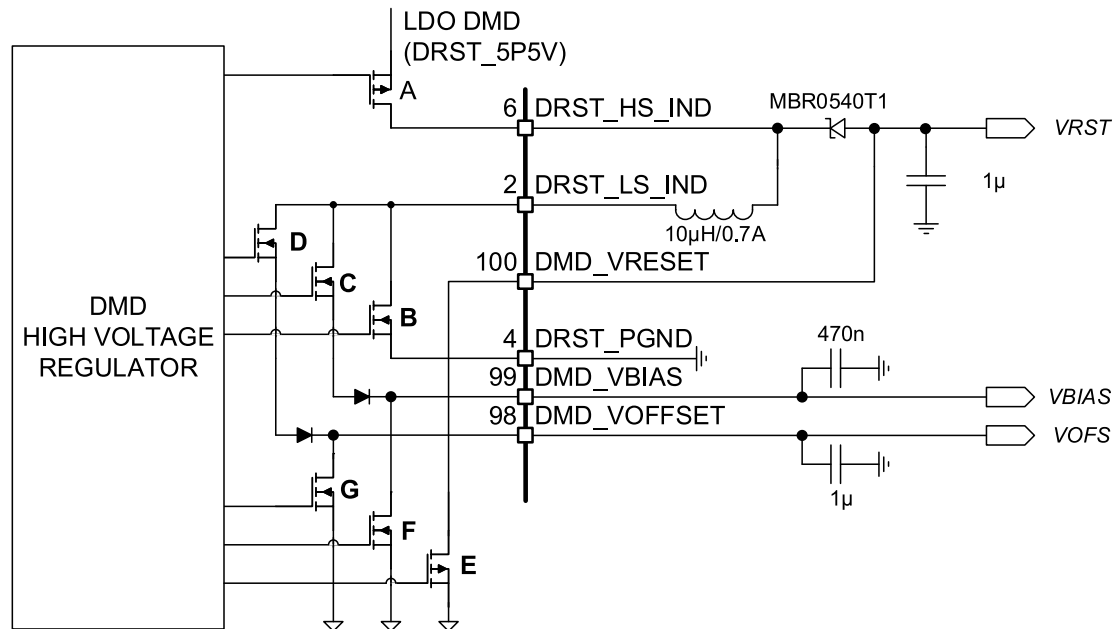


図 8-16. DMD High Voltage Regulator

8.3.3.2.1 Power-Up and Power-Down Timing

The power-up and power-down sequence is important to ensure a correct operation of the DLPA3000 and to prevent damage to the DMD. The DLPA3000 controls the correct sequencing of the DMD_VRESET, DMD_VBIAS and DMD_VOFFSET to ensure a reliable operation of the DMD.

The general startup sequence of the supplies was described previously in [Supply and Monitoring](#). The power-up sequence of the high-voltage DMD lines is especially important to prevent damaging the DMD. Damage could include, for example, that DMD mirrors get stuck or collide. A too-large delta voltage between DMD_VBIAS and DMD_VOFFSET could cause the damage and should therefore be prevented.

After PROJ_ON is pulled high, the DMD buck converters and LDOs are powered (PWR1-4) the DMD high voltage lines (HV) are sequentially enabled. First, DMD_VOFFSET is enabled. After a delay, DMD_VBIAS is enabled. Finally, after another delay, DMD_VRESET is enabled. The DLPA3000 is now fully powered and ready for starting projection.

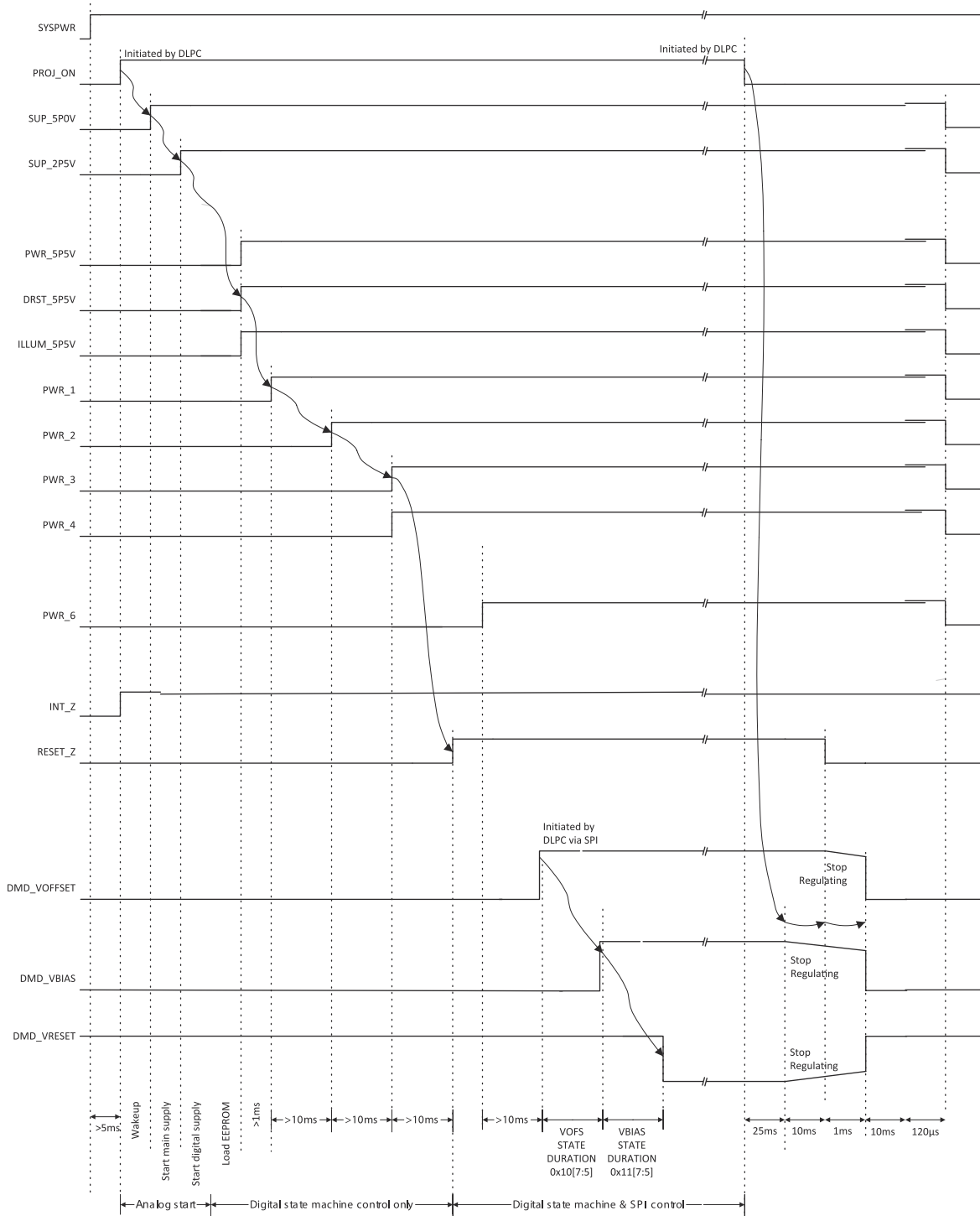
For power down, there are two sequences: normal power down (图 8-17) and a fault fast power-down used in case a fault occurs (图 8-18).

In normal power-down mode, the power down is initiated after pulling PROJ_ON pin low. 25 ms after PROJ_ON is pulled low, DMD_VBIAS and DMD_VRESET will stop regulating. 10 ms later, DMD_VOFFSET will stop regulating. When DMD_VOFFSET stops regulating, RESET_Z is pulled low. 1 ms after the DMD_VOFFSET stops regulating, all other supplies are turned off. INT_Z remains high during the power-down sequence since no fault occurred. During power down, it is guaranteed that the HV levels do not violate the DMD specifications on these three lines. For this, it is important to select the capacitors such that C_{VOFFSET} is equal to C_{VRESET} and C_{VBIAS} is $\leq C_{\text{VOFFSET}}$, C_{VRESET} .

The fast power-down mode (图 8-18) is started in case a fault occurs (INT_Z will be pulled low), for instance due to overheating. The fast power-down mode can be enabled or disabled through register [FAST_SHUTDOWN_EN](#) (0x01, bit 7). The mode is enabled by default. After the fault occurs, regulation of DMD_VBIAS and DMD_VRESET is stopped. There is 540 μs default delay time between fault and stop of regulation. After the

regulation stopped, there is 4 μ s default delay time before all three DMD_VRESET, DMD_VBIAS and DMD_VOFFSET high voltages lines are discharged and RESET_Z is pulled low.

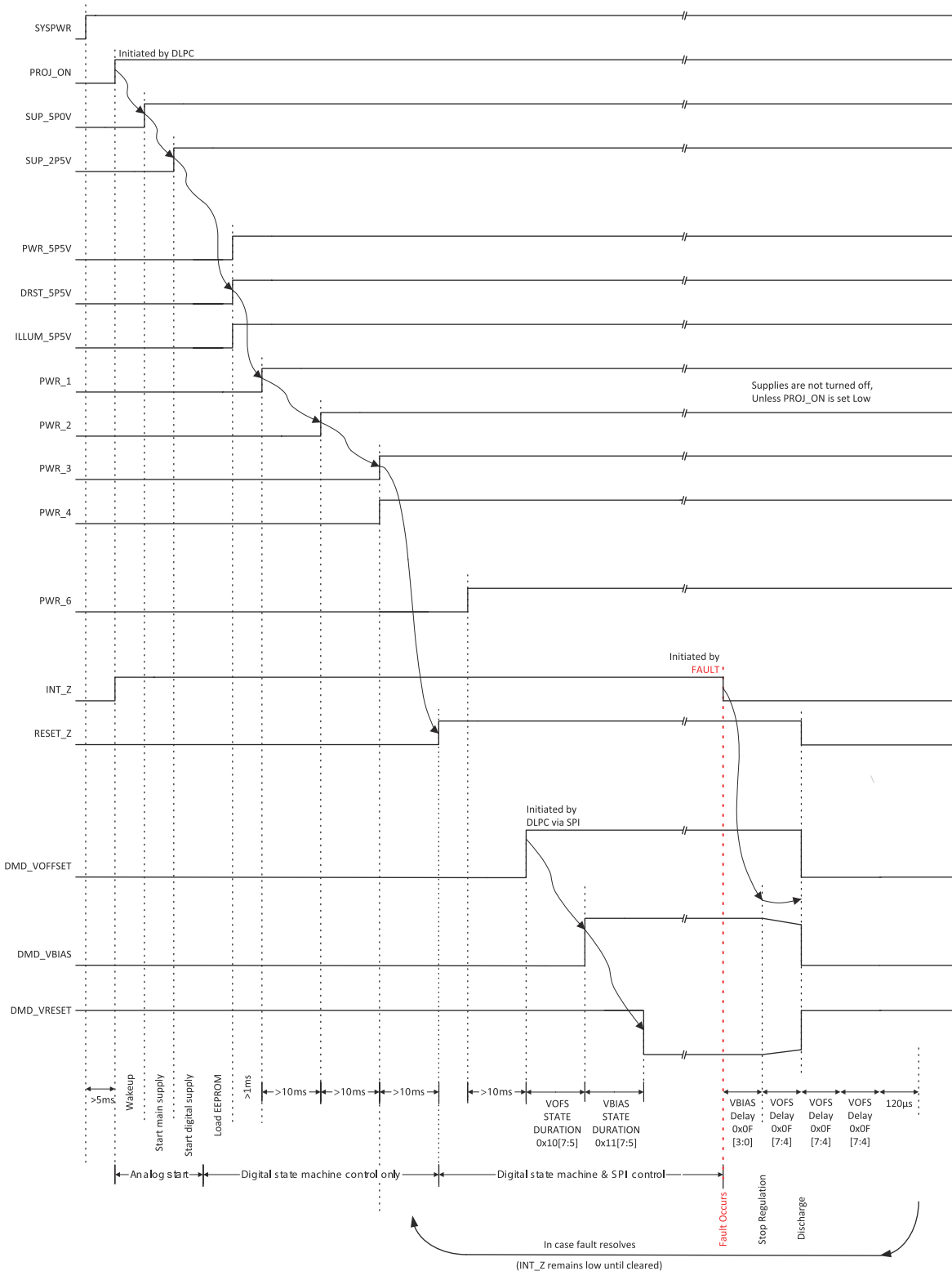
The DLPA3000 is now in a standby state. It remains in standby state until the fault resolves. In case the fault resolves, a restart is initiated. It starts then by powering up PWR_3 and follows the regular power up as depicted in [8-18](#). For proper discharge timing and levels, the capacitors such that $C_{V\text{OFFSET}}$ is equal to $C_{V\text{RESET}}$ and $C_{V\text{BIAS}}$ is $\leq C_{V\text{OFFSET}}$, $C_{V\text{RESET}}$.



1. Arrows indicate sequence of events automatically controlled by digital state machine. Other events are initiated under SPI control.

- SUP_5P0V and SUP_2P5V rise to a precharge level with SYSPWR, and reach the full level potential after PROJ_ON is pulled high.

8-17. Power Sequence Normal Shutdown Mode



- Arrows indicate sequence of events automatically controlled by digital state machine. Other events are initiated under SPI control.

- SUP_5P0V and SUP_2P5V rise to a precharge level with SYSPWR, and reach the full level potential after PROJ_ON is pulled high.

図 8-18. Power Sequence Fault Fast Shutdown Mode

8.3.3.3 DMD/DLPC Buck Converters

Each of the two DMD buck converters creates a supply voltage for the DMD and/or the DLPC. The values of the voltages for the DMD and DLPC used, for instance:

- DMD+DLPC3438: 1.1 V (DLPC) and 1.8 V (DLPC/DMD)

The topology of the buck converters is the same as the general purpose buck converters discussed later in this document. To configure the inductor and capacitor, see [Buck Converters](#).

A typical configuration is 3.3 μ H for the inductor and $2 \times 22 \mu$ F for the output capacitor. The voltage rating of the capacitor is recommended to be equal or greater than two times of the applied voltage across the capacitor in the application.

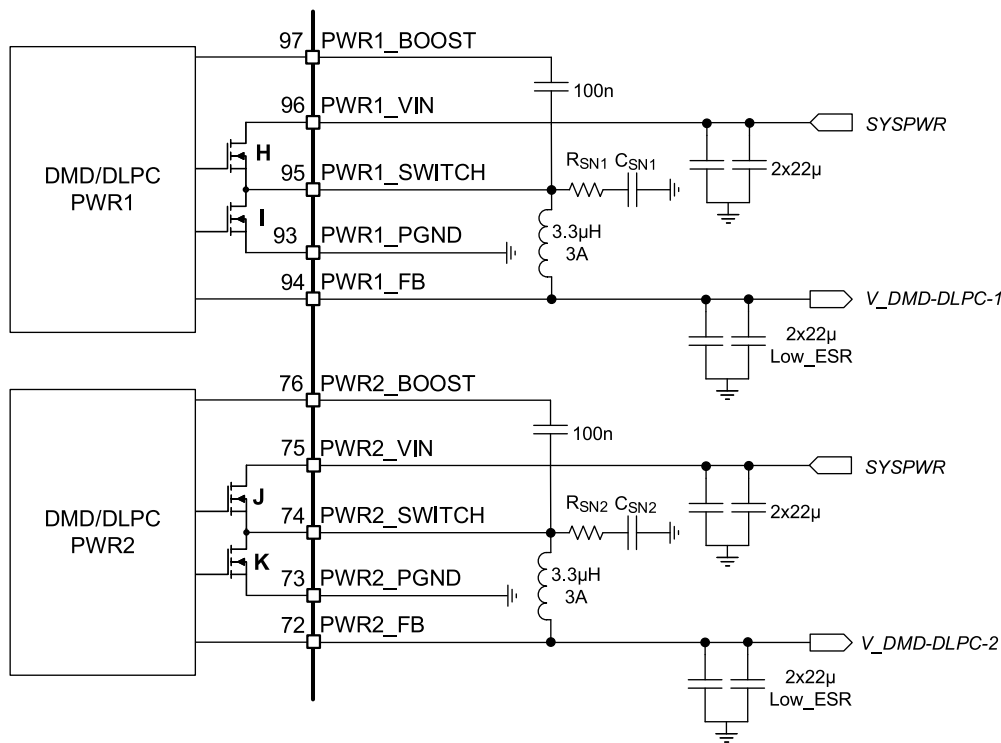


図 8-19. DMD/DLPC Buck Converters

8.3.3.4 DMD Monitoring

The DMD block is continuously monitored for failures to prevent damage to the DLPA3000 and/or the DMD. Several possible failures are monitored such that the DMD voltages can be guaranteed. Failures could be, for instance, a broken control loop or a too-high or too-low converter output voltage. The overall DMD fault bit is in [Main Status register \(0x0C\)](#), DMD_FAULT. If any of the failures in [表 8-2](#) occur, the DMD_FAULT bit will be set high.

表 8-2. DMD FAULT Indication

| POWER GOOD | | |
|--------------|---|--|
| BLOCK | REGISTER BIT | THRESHOLD |
| HV Regulator | DMD_PG_FAULT | DMD_VRESET: 90%, DMD_VOFFSET and DMD_VBIAS: 86% rising, 66% falling |
| PWR1 | BUCK_DMD1_PG_FAULT | Ratio: 72% |
| PWR2 | BUCK_DMD2_PG_FAULT | Ratio: 72% |
| PWR3 (LDO_2) | LDO_GP2_PG_FAULT / LDO_DMD1_PG_FAULT | 80% rising, 60% falling |
| PWR4 (LDO_1) | LDO_GP1_PG_FAULT / LDO_DMD1_PG_FAULT | 80% rising, 60% falling |
| OVERVOLTAGE | | |
| BLOCK | REGISTER BIT | THRESHOLD (V) |
| PWR1 | BUCK_DMD1_OV_FAULT | Ratio: 120% |
| PWR2 | BUCK_DMD2_OV_FAULT | Ratio: 120% |
| PWR3 (LDO_2) | LDO_GP2_OV_FAULT / LDO_DMD1_OV_FAULT | 7 |
| PWR4 (LDO_1) | LDO_GP1_OV_FAULT / LDO_DMD1_OV_FAULT | 7 |

8.3.3.4.1 Power Good

The DMD HV regulator, DMD buck converters, auxiliary LDOS and the LDO DMD that supports the HV regulator have a power good indication.

The DMD HV regulator is continuously monitored to check if the output rails DMD_VRESET, DMD_VOFFSET and DMD_VBIAS are in regulation. If either one of the output rails drops out of regulation (for example, due to a shorted output or overloading), the DMD_PG_FAULT bit in [Detailed Status Register3 \(0x29\)](#) is set. The threshold for DMD_VRESET is 90% and the thresholds for DMD_VOFFSET and DMD_VBIAS are 86% (rising edge) and 66% (falling edge).

The power good signal for the two DMD buck converters indicate if their output voltage (PWR1_FB and PWR2_FB) are within a defined window. The relative power good ratio is 72%. This means that if the output voltage is below 72% of the set output voltage, the power good bit is asserted. The power good bits are in [Detailed Status Register3 \(0x29\)](#), bits BUCK_DMD1_PG_FAULT and BUCK_DMD2_PG_FAULT.

LDO_1 and LDO_2 output voltages are also monitored. When the power good fault of the LDO is asserted, it implies that the LDO voltage is below 80% (rising edge) or 60% (falling edge) of its intended value. The power good indication for the LDOs is in [Detailed Status Register3 \(0x29\)](#), bits LDO_GP1_PG_FAULT / LDO_DMD1_PG_FAULT and LDO_GP2_PG_FAULT / LDO_DMD2_PG_FAULT.

8.3.3.4.2 Overvoltage Fault

An overvoltage fault occurs when an output voltage rises above a predefined threshold. Overvoltage faults are indicated for the DMD buck converters, auxiliary LDOS and the LDO DMD supporting the DMD HV regulator. The overvoltage fault of LDO_1 and LDO_2 are not incorporated in the overall DMD_FAULT when the LDOs are used as general purpose LDOs. [表 8-2](#) provides an overview of the possible DMD overvoltage faults and their threshold levels.

of the external components is very important, especially the inductor L_{OUT} and the output capacitor C_{OUT} . For best efficiency and ripple performance, an inductor and capacitor should be chosen with low equivalent series resistance (ESR).

The component selection of the buck converter is mainly determined by the output voltage. 表 8-3 shows the recommended value for inductor L_{OUT} and capacitor C_{OUT} for a given output voltage.

表 8-3. Recommended Buck Converter L_{OUT} and C_{OUT}

| V_{OUT} (V) | L_{OUT} (μ H) | | | C_{OUT} (μ F) | |
|---------------|----------------------|-----|-----|----------------------|-----|
| | MIN | TYP | MAX | MIN | MAX |
| 1 – 1.5 | 1.0 | 2.2 | 4.7 | 10 | 132 |
| 1.5 – 3.3 | 2.2 | 3.3 | 4.7 | 22 | 68 |
| 3.3 – 5 | 3.3 | | 4.7 | 22 | 68 |

The inductor peak-to-peak ripple current, peak current, and RMS current can be calculated using 式 6, 式 7, and 式 8, respectively. The inductor saturation current rating must be greater than the calculated peak current. Likewise, the RMS or heating current rating of the inductor must be greater than the calculated RMS current. The switching frequency of the buck converter is approximately 600 kHz (f_{SWITCH}).

$$I_{L_OUT_RIPPLE_P-P} = \frac{V_{OUT}}{V_{IN_MAX}} \cdot (V_{IN_MAX} - V_{OUT}) \cdot \frac{1}{L_{OUT} \cdot f_{SWITCH}} \quad (6)$$

$$I_{L_OUT_PEAK} = I_{L_OUT} + \frac{I_{L_OUT_RIPPLE_P-P}}{2} \quad (7)$$

$$I_{L_OUT(RMS)} = \sqrt{I_{L_OUT}^2 + \frac{1}{12} \cdot I_{L_OUT_RIPPLE_P-P}^2} \quad (8)$$

The capacitor value and ESR determines the level of output voltage ripple. The buck converter is intended for use with ceramic or other low ESR capacitors. Recommended values range from 22 μ F to 68 μ F. 式 9 can be used to determine the required RMS current rating for the output capacitor.

$$I_{C_OUT(RMS)} = \frac{V_{OUT} \cdot (V_{IN} - V_{OUT})}{\sqrt{12} \cdot V_{IN} \cdot L_{OUT} \cdot f_{SWITCH}} \quad (9)$$

Two other components need to be selected in the buck converter configuration. The value of the input-capacitor (pin PWRx_VIN) should be equal or greater than half the selected output capacitance C_{OUT} . In this case $C_{IN} 2 \times 10 \mu$ F is sufficient. The capacitor between PWRx_SWITCH and PWRx_BOOST is a charge pump capacitor to drive the high side FET. The recommended value is 100 nF.

Since the switching edges of the buck converter are relatively fast, voltage overshoot and ringing can become a problem. To overcome this problem a snubber network is used. The snubber circuit consists of a resistor and capacitor that are connected in series from the switch node to ground. The snubber circuit is used to damp the parasitic inductances and capacitances during the switching transitions. This circuit reduces the ringing voltage and also reduces the number of ringing cycles. The snubber network is formed by RSNx and CSNx. More information on controlling switch-node ringing in synchronous buck converters and configuring the snubber can be found in *Analog Application Journal 2Q 2012*.

8.3.4.3 Buck Converter Monitoring

The buck converter block is continuously monitored for system failures to prevent damage to the DLPA3000 and peripherals. Several possible failures are monitored such as a too-high or too-low output voltage. The possible faults are summarized in [表 8-4](#).

表 8-4. Buck Converter Fault Indication

| POWER GOOD | | |
|------------------|-------------------|-------------------------|
| BLOCK | REGISTER BIT | THRESHOLD (RISING EDGE) |
| Gen.Buck2 (PWR6) | BUCK_GP2_PG_FAULT | Ratio 72% |
| OVERVOLTAGE | | |
| Gen.Buck2 (PWR6) | BUCK_GP2_OV_FAULT | Ratio 120% |

8.3.4.3.1 Power Good

The buck converter as well as the supporting LDO_BUCK have a power good indication. The buck converter has a separate indication.

The power good for the buck converter indicates if their output voltage (PWR6_FB) is within a defined window. The relative power good ratio is 72%. This means that if the output voltage is below 72% of the set voltage the PG_fault bit is set high. The power good bit of the buck converter is in the [Detailed Status Register1 \(0x27\)](#) bit:

- BUCK_GP2_PG_FAULT for BUCK2 (PWR6)

8.3.4.3.2 Overvoltage Fault

An overvoltage fault occurs when an output voltage rises above a predefined threshold. Overvoltage faults are indicated for the buck converters, and LDO_BUCKS. The overvoltage fault of the LDO_BUCKS is asserted if the LDO voltage is above 7.2 V. The overvoltage of the general purpose buck converter is 120% of the set value (the default value is 1 V) and can be read through register [Detailed status register2 \(0x28\)](#) BUCK_GP2_OV_FAULT.

8.3.4.4 Buck Converter Efficiency

An overview of the efficiency of the buck converter for an input voltage of 12 V is provided in [図 8-21](#). The efficiency is shown for several output voltage levels where the load current is swept.

[図 8-22](#) depicts the buck converter efficiency versus input voltage (V_{IN}) for a load current (I_{OUT}) of 1 A for various output voltage levels (V_{OUT}).

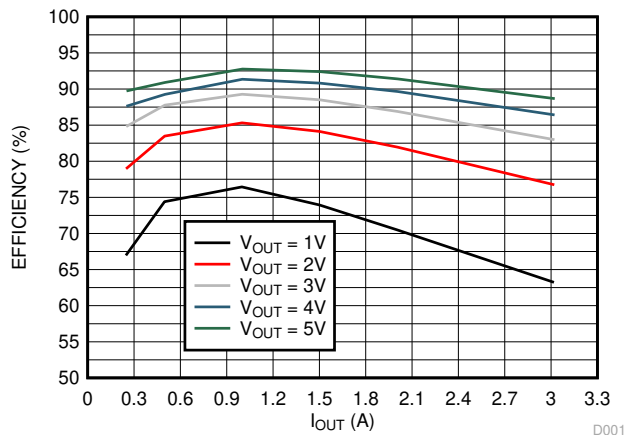


図 8-21. Buck Converter Efficiency vs I_{OUT} ($V_{IN} = 12$ V)

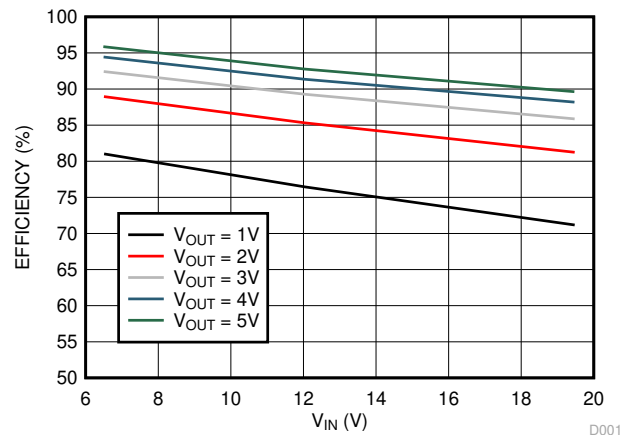


図 8-22. Buck Converter Efficiency vs V_{IN} ($I_{OUT} = 1$ A)

8.3.5 Auxiliary LDOs

An additional external application can use two auxiliary LDOs: LDO_1 and LDO_2. All other LDOs are for internal use only and should not be loaded. LDO_1 (PWR4) is a fixed voltage of 3.3 V, while LDO_2 (PWR3) is a fixed voltage of 2.5 V. Both LDOs are capable to deliver 200 mA.

8.3.6 Measurement System

The measurement system (Figure 8-23) is designed to sense internal and external nodes and convert them to digital by the implemented AFE comparator. The reference signal for this comparator, ACMPR_REF, is a low pass filtered PWM signal coming from the DLPC. To be able to cover a wide range of input signals, a variable gain amplifier (VGA) is added with three gain settings (1x, 9.5x, and 18x). The maximum input voltage of the VGA is 1.5 V. However, some of the internal voltages are too large to be handled by the VGA and are divided down first.

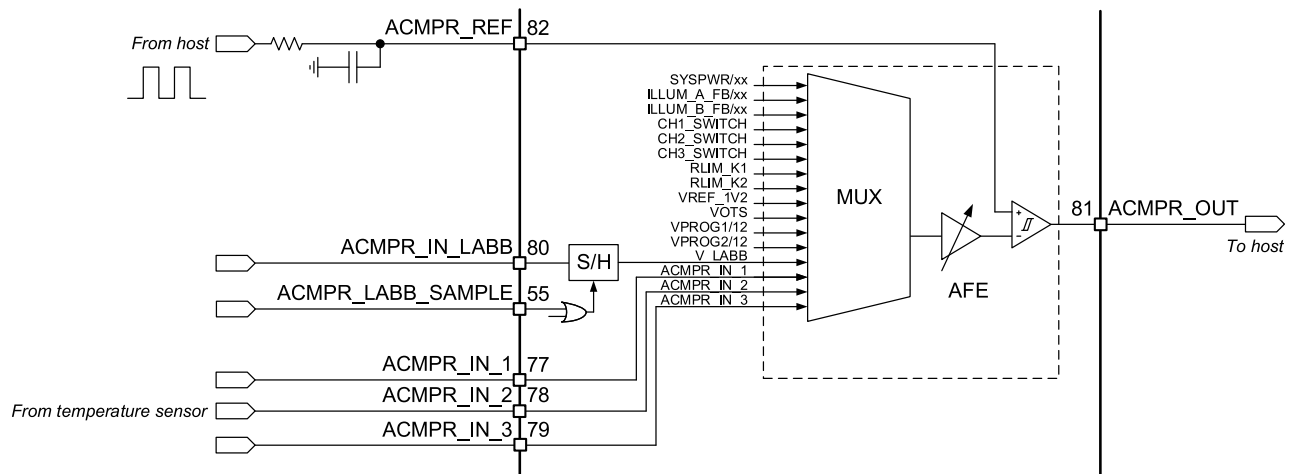


図 8-23. Measurement System

The system input voltage SYSPWR can be measured by selecting the SYSPWR/xx input of the MUX. Before the system input voltage is supplied to the MUX, the voltage needs to be divided. This is because the variable gain amplifier (VGA) can handle voltages up to 1.5 V, whereas the system voltage can be as high as 20 V. The division is done internally in the DLPA3000. The division factor selection (V_{IN} division factor) is combined with the AUTO_LED_TURN_OFF functionality of the illumination driver.

The LED voltages can be monitored by measuring both the common anode of the LEDs as well as the cathode of each LED individually. The LED anode voltage (V_{LED}) is measured by sensing the feedback pin of the illumination driver (ILLUM_A_FB). Like the SYSPWR, the LED anode voltage needs to be divided before feeding it to the MUX. The division factor is combined with the overvoltage fault level of the illumination driver. The cathode voltages CH1,2,3_SWITCH are fed directly to the MUX without division factor.

The LED current can be determined by knowing the value of sense resistor R_{LIM} and the voltage across the resistor. The voltage at the top-side of the sense resistor can be measured by selecting MUX-input RLIM_K1. The bottom-side of the resistor is connected to GND.

VOTS is connected to an on-chip temperature sensor. The voltage is a measure for the junction temperature of the chip: Temperature ($^{\circ}\text{C}$) = $300 \times \text{VOTS (V)} - 270$,

LABB is a feature that is Local Area Brightness Boost. LABB increases the brightness locally while maintaining good contrast and saturation. The sensor needed for this feature should be connected to pin ACMPR_IN_LABB.

ACMPR_IN_1,2,3 can measure external signals from for instance a temperature sensor. It should be ensured that the voltage on the input does not exceed 1.5 V.

8.3.7 Digital Control

This section discusses the serial protocol interface (SPI) of the DLPA3000, as well as the interrupt handling, device shutdown, and register protection.

8.3.7.1 SPI

The DLPA3000 provides a 4-wire SPI port that supports two SPI clock frequency modes: 0 MHz to 36 MHz, and 20 MHz to 40 MHz. The interface supports both read and write operations. The SPI_SS_Z input serves as the active low chip select for the SPI port. The SPI_SS_Z input must be forced low for writing to or reading from registers. When SPI_SS_Z is forced high, the data at the SPI_MOSI input is ignored, and the SPI_MISO output is forced to a high-impedance state. The SPI_MOSI input serves as the serial data input for the port; the SPI_MISO output serves as the serial data output. The SPI_CLK input serves as the serial data clock for both the input and output data. Data at the SPI_MOSI input is latched on the rising edge of SPI_CLK, while data is clocked out of the SPI_MISO output on the falling edge of SPI_CLK. [Figure 8-24](#) illustrates the SPI port protocol. Byte 0 is referred to as the command byte, where the most significant bit is the write/not-read bit. For the W/nR bit, a 1 indicates a write operation, while a 0 indicates a read operation. The remaining seven bits of the command byte are the register address targeted by the write or read operation. The SPI port supports write and read operations for multiple sequential register addresses through the implementation of an auto-increment mode. As shown in [Figure 8-24](#), the auto-increment mode is invoked by simply holding the SPI_SS_Z input low for multiple data bytes. The register address is automatically incremented after each data byte transferred, starting with the address specified by the command byte. After reaching address 0x7Fh, the address pointer jumps back to 0x00h.

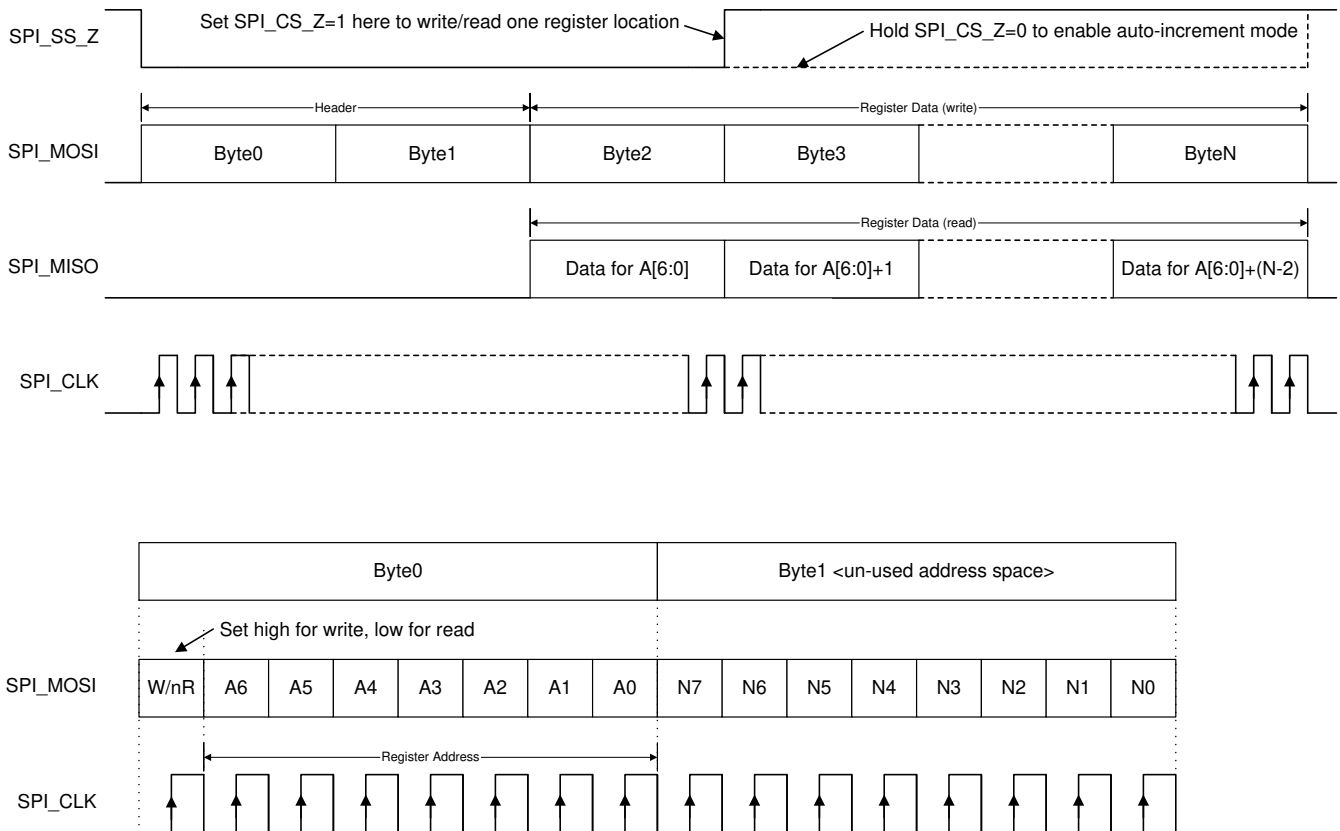


Figure 8-24. SPI Protocol

8.3.7.2 Interrupt

The DLPA3000 power management IC has the capability to flag several faults in the system, such as overheating, low battery, power good, and overvoltage faults. If a certain fault condition occurs, one or more bits in the [表 8-5](#) are set. Setting a bit in the [Main Status register \(0x0C\)](#) triggers an interrupt event, which pulls down the INT_Z pin. Interrupts can be masked by setting the respective MASK bits in the [Interrupt Mask register \(0x0D\)](#). Setting a MASK bit prevents the INT_Z from being pulled low for the particular fault condition. The high-level faults can be read in the [Main Status register \(0x0C\)](#), while the lower-level faults can be read in the [Detailed status register1 \(0x27\)](#) through [Detailed status register4 \(0x2A\)](#). [表 8-5](#) provides an overview of the faults and how they are related.

表 8-5. Interrupt Registers

| HIGH-LEVEL | MID-LEVEL | LOW-LEVEL |
|--------------|--------------------------------------|--------------------------------------|
| SUPPLY_FAULT | DMD_FAULT | DMD_PG_FAULT |
| | | BUCK_DMD1_PG_FAULT |
| | | BUCK_DMD1_OV_FAULT |
| | | BUCK_DMD2_PG_FAULT |
| | | BUCK_DMD2_OV_FAULT |
| | | LDO_GP1_PG_FAULT / LDO_DMD1_PG_FAULT |
| | | LDO_GP1_OV_FAULT / LDO_DMD1_OV_FAULT |
| | | LDO_GP2_PG_FAULT / LDO_DMD2_PG_FAULT |
| | LDO_GP2_OV_FAULT / LDO_DMD2_OV_FAULT | |
| | | BUCK_GP2_PG_FAULT |
| | BUCK_GP2_OV_FAULT | |
| ILLUM_FAULT | ILLUM_BC1_PG_FAULT | |
| | ILLUM_BC1_OV_FAULT | |
| | ILLUM_BC2_PG_FAULT | |
| | ILLUM_BC2_OV_FAULT | |
| PROJ_ON_INT | | |
| BAT_LOW_SHUT | | |
| BAT_LOW_WARN | | |
| TS_SHUT | | |
| TS_WARN | | |

8.3.7.3 Fast-Shutdown in Case of Fault

The DLPA3000 has two shutdown modes: a normal shutdown initiated after pulling PROJ_ON level low, and a fast power-down mode. The fast power-down feature can be enabled or disabled through register [FAST_SHUTDOWN_EN \(0x01, bit 7\)](#). By default, the mode is enabled.

When the fast power-down feature is enabled, a fast shutdown is initiated for specific faults. This shutdown happens autonomously from the DLPC. The DLPA3000 enters the fast shutdown mode only for specific faults, thus not for all the faults flagged by the DLPA3000. The faults for which the DLPA3000 goes into fast-shutdown are listed in [表 8-6](#).

表 8-6. Faults that Trigger a Fast-Shutdown

| HIGH-LEVEL | LOW-LEVEL |
|--------------|--------------------------------------|
| BAT_LOW_SHUT | |
| TS_SHUT | |
| DMD_FAULT | DMD_PG_FAULT |
| | BUCK_DMD1_PG_FAULT |
| | BUCK_DMD1_OV_FAULT |
| | BUCK_DMD2_PG_FAULT |
| | BUCK_DMD2_OV_FAULT |
| | LDO_GP1_PG_FAULT / LDO_DMD1_PG_FAULT |
| | LDO_GP1_OV_FAULT / LDO_DMD1_OV_FAULT |
| | LDO_GP2_PG_FAULT / LDO_DMD2_PG_FAULT |
| ILLUM_FAULT | ILLUM_BC1_OV_FAULT |
| | ILLUM_BC2_OV_FAULT |

8.4 Device Functional Modes

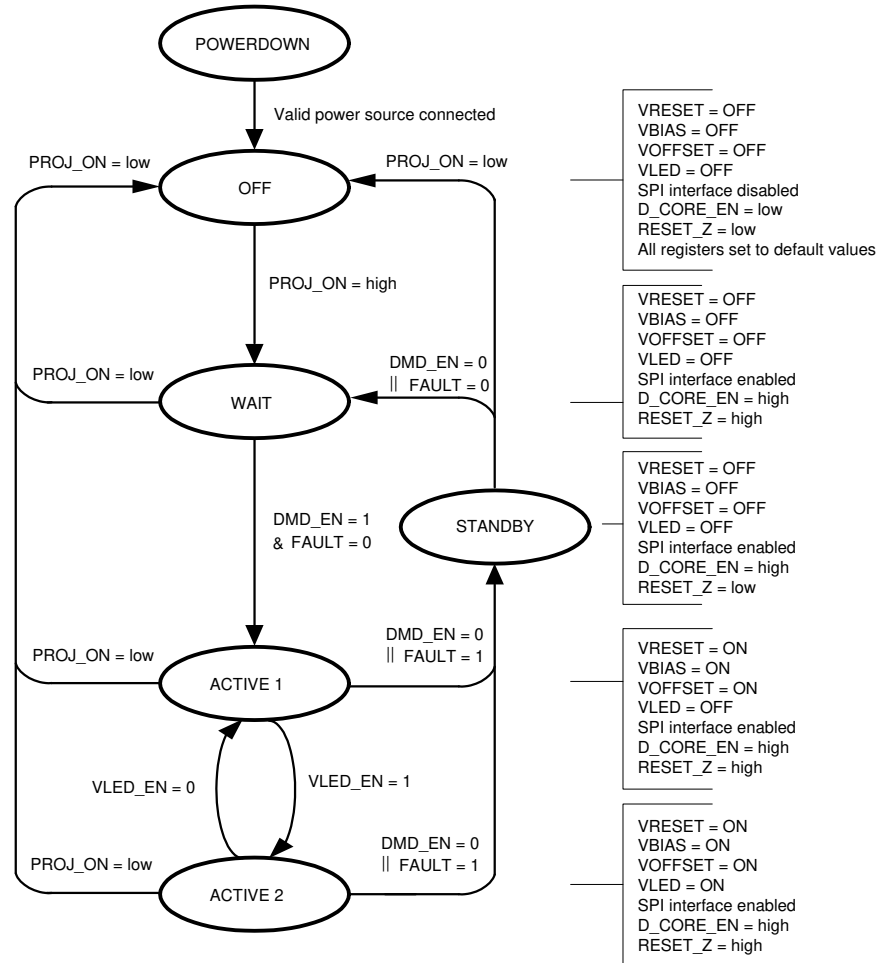
表 8-7. Modes of Operation

| MODE | DESCRIPTION |
|---------|--|
| OFF | This is the lowest-power mode of operation. All power functions are turned off, registers are reset to their default values, and the IC does not respond to SPI commands. RESET_Z pin is pulled low. The IC will enter OFF mode whenever the PROJ_ON pin is low. |
| WAIT | The DMD regulators and LED power (V_{LED}) are turned off, but the IC does respond to the SPI. The device enters WAIT mode whenever PROJ_ON is set high, DMD_EN ⁽¹⁾ bit is set to 0 or a FAULT is resolved. |
| STANDBY | The device also enters STANDBY mode when a fault condition is detected. ⁽²⁾ (See <i>Interrupt</i>). Once the fault condition is resolved, WAIT mode is entered. |
| ACTIVE1 | The DMD supplies are enabled but LED power (V_{LED}) is disabled. PROJ_ON pin must be high, DMD_EN bit must be set to 1, and ILLUM_EN ⁽³⁾ bit is set to 0. |
| ACTIVE2 | DMD supplies and LED power are enabled. PROJ_ON pin must be high and DMD_EN and ILLUM_EN bits must both be set to 1. |

- (1) Settings can be done through [Enable register](#), bit is named DMD_EN
 (2) Power-good faults, overvoltage, overtemperature shutdown, and undervoltage lockout
 (3) Settings can be done through register [Enable register](#), bit is named ILLUM_EN

表 8-8. Device State as a Function of Control-Pin Status

| PROJ_ON Pin | STATE |
|-------------|---|
| LOW | OFF |
| HIGH | WAIT STANDBY ACTIVE1 ACTIVE2 (Device state depends on DMD_EN and ILLUM_EN bits and whether there are any fault conditions.) |



- A. || = OR, & = AND
- B. FAULT = undervoltage on any supply, thermal shutdown, or UVLO detection
- C. UVLO detection, per the diagram, causes the DLPA3000 to go into the standby state. This is not the lowest power state. If lower power is desired, PROJ_ON should be set low.
- D. DMD_EN register bit can be reset or set by SPI writes. DMD_EN defaults to 0 when PROJ_ON goes from low to high and then the DPP ASIC software automatically sets it to 1. Also, FAULT = 1 causes the DMD_EN register bit to be reset.
- E. D_CORE_EN is a signal internal to the DLPA3000. This signal turns on the VCORE regulator.

8-25. State Diagram

8.5 Register Maps

Register Address, Default, R/W, Register name. **Boldface** settings are the hardwired defaults.

表 8-9. Register Map

| NAME | BITS | DESCRIPTION |
|---|-------|--|
| 0x00, D3, R/W, Chip Identification | | |
| CHIPID | [7:4] | Chip identification number: D (hex) |
| REVID | [3:0] | Revision number, 3 (hex) |
| 0x01, 82, R/W, Enable Register | | |
| FAST_SHUTDOWN_EN | [7] | 0: Fast shutdown disabled 1: Fast shutdown enabled |
| CW_EN | [6] | Reserved, value default as 0 |
| BUCK_GP3_EN | [5] | Reserved, value default as 0 |
| BUCK_GP2_EN | [4] | 0: General purpose buck2 disabled 1: General purpose buck2 enabled |
| BUCK_GP1_EN | [3] | Reserved, value default as 0 |
| ILLUM_LED_AUTO_OFF_EN | [2] | 0: Illum_led_auto_off_en disabled 1: Illum_led_auto_off_en enabled |
| ILLUM_EN | [1] | 0: Illum regulators disabled 1: Illum regulators enabled |
| DMD_EN | [0] | 0: DMD regulators disabled 1: DMD regulators enabled |
| 0x02, 70, R/W, IREG Switch Control | | |
| TBD | [7] | Reserved, value does not matter. |
| ILLUM_ILIM | [6:3] | Rlim voltage top-side (mV). Illum current limit = Rlim voltage / Rlim |
| | | 0000: 17 1000: 73 |
| | | 0001: 20 1001: 88 |
| | | 0010: 23 1010: 102 |
| | | 0011: 25 1011: 117 |
| | | 0100: 29 1100: 133 |
| | | 0101: 37 1101: 154 |
| | | 0110: 44 1110: 176 |
| 0111: 59 1111: 197 | | |
| ILLUM_SW_ILIM_EN | [2:0] | Bit2: CH3, MOSFET R transient current limit (0:disabled , 1:enabled) Bit1: CH2, MOSFET Q transient current limit (0:disabled , 1:enabled) Bit0: CH1, MOSFET P transient current limit (0:disabled , 1:enabled) |
| 0x03, 00, R/W, SW1_IDAC(1) | | |
| TBD | [7:2] | Reserved, value does not matter. |
| SW1_IDAC<9:8> | [1:0] | Led current of CH1(A) = ((Bit value + 1)/1024) × (150 mV / Rlim), Most significant bits of 10 bits register (register 0x03 and 0x04). 00 0000 0000 [OFF] 00 0011 0011 [(52/1024) × (150mV/Rlim)], Minimum code. 11 1111 1111 [150mV/Rlim] |
| 0x04, 00, R/W, SW1_IDAC(2) | | |
| SW1_IDAC<7:0> | [7:0] | Led current of CH1(A) = ((Bit value + 1)/1024) × (150 mV / Rlim), Least significant bits of 10 bits register (register 0x03 and 0x04). 00 0000 0000 [OFF] 00 0011 0011 [(52/1024) × (150mV/Rlim)], Minimum code. 11 1111 1111 [150mV/Rlim] |

表 8-9. Register Map (続き)

| NAME | BITS | DESCRIPTION |
|--|-------|--|
| 0x05, 00, R/W, SW2_IDAC(1) | | |
| TBD | [7:2] | Reserved, value does not matter. |
| SW2_IDAC<9:8> | [1:0] | Led current of CH2(A) = ((Bit value + 1)/1024) × (150 mV / Rlim), Most significant bits of 10 bits register (register 0x05 and 0x06). 00 0000 0000 [OFF] 00 0011 0011 [(52/1024) × (150mV/Rlim)], Minimum code. 11 1111 1111 [150mV/Rlim] |
| 0x06, 00, R/W, SW2_IDAC(2) | | |
| SW2_IDAC<7:0> | [7:0] | Led current of CH2(A) = ((Bit value + 1)/1024) × (150 mV / Rlim), Least significant bits of 10 bits register (register 0x05 and 0x06). 00 0000 0000 [OFF] 00 0011 0011 [(52/1024) × (150mV/Rlim)], Minimum code. 11 1111 1111 [150mV/Rlim] |
| 0x07, 00, R/W, SW3_IDAC(1) | | |
| TBD | [7:2] | Reserved, value does not matter. |
| SW3_IDAC<9:8> | [1:0] | Led current of CH3(A) = ((Bit value + 1)/1024) × (150 mV / Rlim), Most significant bits of 10 bits register (register 0x07 and 0x08). 00 0000 0000 [OFF] 00 0011 0011 [(52/1024) × (150mV/Rlim)], Minimum code. 11 1111 1111 [150mV/Rlim] |
| 0x08, 00, R/W, SW3_IDAC(2) | | |
| SW3_IDAC<7:0> | [7:0] | Led current of CH3(A) = ((Bit value + 1)/1024) × (150 mV / Rlim), Least significant bits of 10 bits register (register 0x07 and 0x08). 00 0000 0000 [OFF] 00 0011 0011 [(52/1024) × (150mV/Rlim)], Minimum code. 11 1111 1111 [150mV/Rlim] |
| 0x0C, 00, R, Main Status Register | | |
| SUPPLY_FAULT | [7] | 0: No PG or OV failures for any of the LV Supplies 1: PG failures for a LV Supplies |
| ILLUM_FAULT | [6] | 0: ILLUM_FAULT = LOW 1: ILLUM_FAULT = HIGH |
| PROJ_ON_INT | [5] | 0: PROJ_ON = HIGH 1: PROJ_ON = LOW |
| DMD_FAULT | [4] | 0: DMD_FAULT = LOW 1: DMD_FAULT = HIGH |
| BAT_LOW_SHUT | [3] | 0: VIN > UVLO_SEL<4:0> 1: VIN < UVLO_SEL<4:0> |
| BAT_LOW_WARN | [2] | 0: VIN > LOWBATT_SEL<4:0> 1: VIN < LOWBATT_SEL<4:0> |
| TS_SHUT | [1] | 0: Chip temperature < 132.5°C and no violation in V5V0 1: Chip temperature > 156.5°C, or violation in V5V0 |
| TS_WARN | [0] | 0: Chip temperature < 121.4°C 1: Chip temperature > 123.4°C |

表 8-9. Register Map (続き)

| NAME | BITS | DESCRIPTION |
|---|------|---|
| 0x0D, F5, Interrupt Mask Register | | |
| SUPPLY_FAULT_MASK | [7] | 0: Not masked for SUPPLY_FAULT interrupt 1: Masked for SUPPLY_FAULT interrupt |
| ILLUM_FAULT_MASK | [6] | 0: Not masked for ILLUM_FAULT interrupt 1: Masked for ILLUM_FAULT interrupt |
| PROJ_ON_INT_MASK | [5] | 0: Not masked for PROJ_ON_INT interrupt 1: Masked for PROJ_ON_INT interrupt |
| DMD_FAULT_MASK | [4] | 0: Not masked for DMD_FAULT interrupt 1: Masked for DMD_FAULT interrupt |
| BAT_LOW_SHUT_MASK | [3] | 0: Not masked for BAT_LOW_SHUT interrupt 1: Masked for BAT_LOW_SHUT interrupt |
| BAT_LOW_WARN_MASK | [2] | 0: Not masked for BAT_LOW_WARN interrupt 1: Masked for BAT_LOW_WARN interrupt |
| TS_SHUT_MASK | [1] | 0: Not masked for TS_SHUT interrupt 1: Masked for TS_SHUT interrupt |
| TS_WARN_MASK | [0] | 0: Not masked for TS_WARN interrupt 1: Masked for TS_WARN interrupt |
| 0x27, 00, R, Detailed status register1 (Power good failures for general purpose and illumination blocks) | | |
| BUCK_GP3_PG_FAULT | [7] | Reserved, value default as 0 |
| BUCK_GP1_PG_FAULT | [6] | Reserved, value default as 0 |
| BUCK_GP2_PG_FAULT | [5] | 0: No fault 1: General purpose buck2 power good failure. Does not initiate a fast shutdown. |
| Reserved | [4] | |
| ILLUM_BC1_PG_FAULT | [3] | 0: No fault 1: Illum buck converter1 power good failure. Does not initiate a fast shutdown. |
| ILLUM_BC2_PG_FAULT | [2] | 0: No fault 1: Illum buck converter2 power good failure. Does not initiate a fast shutdown. |
| TBD | [1] | Reserved, value always 0 |
| TBD | [0] | Reserved, value always 0 |
| 0x28, 00, R, Detailed status register2 (Overvoltage failures for general purpose and illum blocks) | | |
| BUCK_GP3_OV_FAULT | [7] | Reserved, value default as 0 |
| BUCK_GP1_OV_FAULT | [6] | Reserved, value default as 0 |
| BUCK_GP2_OV_FAULT | [5] | 0: No fault 1: General purpose buck2 overvoltage failure. Does not initiate a fast shutdown. |
| TBD | [4] | Reserved, value always 0 |
| ILLUM_BC1_OV_FAULT | [3] | 0: No fault 1: Illum buck converter1 overvoltage failure. Does not initiate a fast shutdown. |
| ILLUM_BC2_OV_FAULT | [2] | 0: No fault 1: Illum buck converter2 overvoltage failure. Does not initiate a fast shutdown. |
| TBD | [1] | Reserved, value always 0 |
| TBD | [0] | Reserved, value always 0 |
| 0x29, 00, R, Detailed status register3 (Power good failure for DMD related blocks) | | |
| TBD | [7] | Reserved, value always 0 |
| DMD_PG_FAULT | [6] | 0: No fault 1: VBIAS, VOFS and/or VRST power good failure. Initiates a fast shutdown. |
| BUCK_DMD1_PG_FAULT | [5] | 0: No fault 1: Buck1 (used to create DMD voltages) power good failure. Initiates a fast shutdown. |
| BUCK_DMD2_PG_FAULT | [4] | 0: No fault 1: Buck2 (used to create DMD voltages) power good failure. Initiates a fast shutdown. |
| TBD | [3] | Reserved, value always 0 |

表 8-9. Register Map (続き)

| NAME | BITS | DESCRIPTION |
|---|------|--|
| TBD | [2] | Reserved, value always 0 |
| LDO_GP1_PG_FAULT / LDO_DMD1_PG_FAULT | [1] | 0: No fault 1: LDO1 (used as general purpose or DMD specific LDO) power good failure. Initiates a fast shutdown. |
| LDO_GP2_PG_FAULT / LDO_DMD2_PG_FAULT | [0] | 0: No fault 1: LDO2 (used as general purpose or DMD specific LDO) power good failure. Initiates a fast shutdown. |
| 0x2A, 00, R, Detailed status register4 (Overvoltage failures for DMD related blocks and Color Wheel) | | |
| TBD | [7] | Reserved, value always 0 |
| TBD | [6] | Reserved, value always 0 |
| BUCK_DMD1_OV_FAULT | [5] | 0: No fault 1: Buck1 (used to create DMD voltage) overvoltage failure |
| BUCK_DMD2_OV_FAULT | [4] | 0: No fault 1: Buck2 (used to create DMD voltage) overvoltage failure |
| TBD | [3] | Reserved, value always 0 |
| TBD | [2] | Reserved, value always 0 |
| LDO_GP1_OV_FAULT / LDO_DMD1_OV_FAULT | [1] | 0: No fault 1: LDO1 (used as general purpose or DMD specific LDO) overvoltage failure |
| LDO_GP2_OV_FAULT / LDO_DMD2_OV_FAULT | [0] | 0: No fault 1: LDO2 (used as general purpose or DMD specific LDO) overvoltage failure |

9 Application and Implementation

注

以下のアプリケーション情報は、TI の製品仕様に含まれるものではなく、TI ではその正確性または完全性を保証いたしません。個々の目的に対する製品の適合性については、お客様の責任で判断していただくこととなります。お客様は自身の設計実装を検証しテストすることで、システムの機能を確認する必要があります。

9.1 Application Information

In display applications, using the DLPA3000 provides all needed analog functions including all analog power supplies and the RGB LED driver (up to 6 A per LED) to provide a robust and efficient display product. Each DLP application is derived primarily from the optical architecture of the system and the format of the data coming into the DLPC343x DLP controller chip.

9.2 Typical Applications

9.2.1 Typical Application Setup Using DLPA3000

A common application when using DLPA3000 is to use it with a DLP3010 DMD and DLPC3433/DLPC3438 controller for creating a small, ultra-portable projector. The DLPC3433/DLPC3438 in the projector typically receives images from a PC or video player using HDMI or VGA analog, as shown in 図 9-1 . Card readers and Wi-Fi can also be used to receive images if the appropriate peripheral chips are added. The DLPA3000 provides power supply sequencing and control of the RGB LED currents as required by the application.

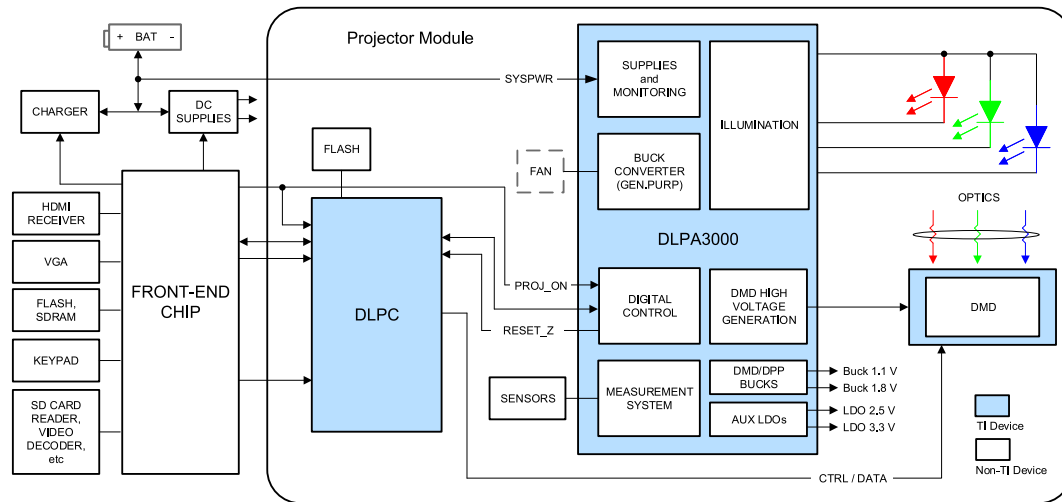


図 9-1. Typical Setup Using DLPA3000

9.2.1.1 Design Requirements

An ultra-portable projector can be created by using a DLP chip set comprised of a DLP3010 (.3 720) DMD, a DLPC3433 or DLPC3438 controller, and the DLPA3000 PMIC/LED Driver. The DLPC3433 or DLPC3438 does the digital image processing, the DLPA3000 provides the needed analog functions for the projector, and DMD is the display device for producing the projected image. In addition to the three DLP chips in the chipset, other chips may be needed. At a minimum, a Flash part is needed to store the software and firmware to control the DLPC3433 or DLPC3438. The illumination light that is applied to the DMD is typically from red, green, and blue LEDs. These are often contained in three separate packages, but sometimes more than one color of LED die may be in the same package to reduce the overall size of the projector. For connecting the DLPC3433 or DLPC3438 to the front-end chip for receiving images, the parallel interface is typically used. While using the parallel interface, I²C should be connected to the front-end chip for inputting commands to the DLPC3433 or DLPC3438.

The DLPA3000 has five built-in buck switching regulators to serve as projector system power supplies. Two of the regulators are fixed to 1.1 V and 1.8 V for powering the DLP chipset. The remaining three buck regulators are available for general purpose use and their voltages are programmable. These three programmable regulators can be used to drive variable-speed fans or to power other projector chips, such as the front-end chip. The only power supply needed at the DLPA3000 input is SYSPWR from an external DC power supply or internal battery. The entire projector can be turned on and off by using a single signal called PROJ_ON. When PROJ_ON is high, the projector turns on and begins displaying images. When PROJ_ON is set low, the projector turns off and draws just microamps of current on SYSPWR.

9.2.1.2 Detailed Design Procedure

For connecting the DLP3010, DLPC3433 or DLPC3438 and DLPA3000 together, see the reference design schematic. When a circuit board layout is created from this schematic, a very small circuit board is possible. An example small-board layout is included in the reference design database. Layout guidelines should be followed to achieve reliable projector operation. The optical engine that has the LED packages and the DMD mounted to it is typically supplied by an optical OEM who specializes in designing optics for DLP projectors.

9.2.1.3 Application Curve

As the LED currents that are driven time-sequentially through the red, green, and blue LEDs are increased, the brightness of the projector increases. This increase is somewhat non-linear, and the curve for typical white-screen lumens changes with LED currents, as shown in [Figure 9-2](#). For the LED currents shown, it is assumed that the same current amplitude is applied to the red, green, and blue LEDs. The thermal solution used to heatsink the red, green, and blue LEDs can significantly alter the curve shape shown.

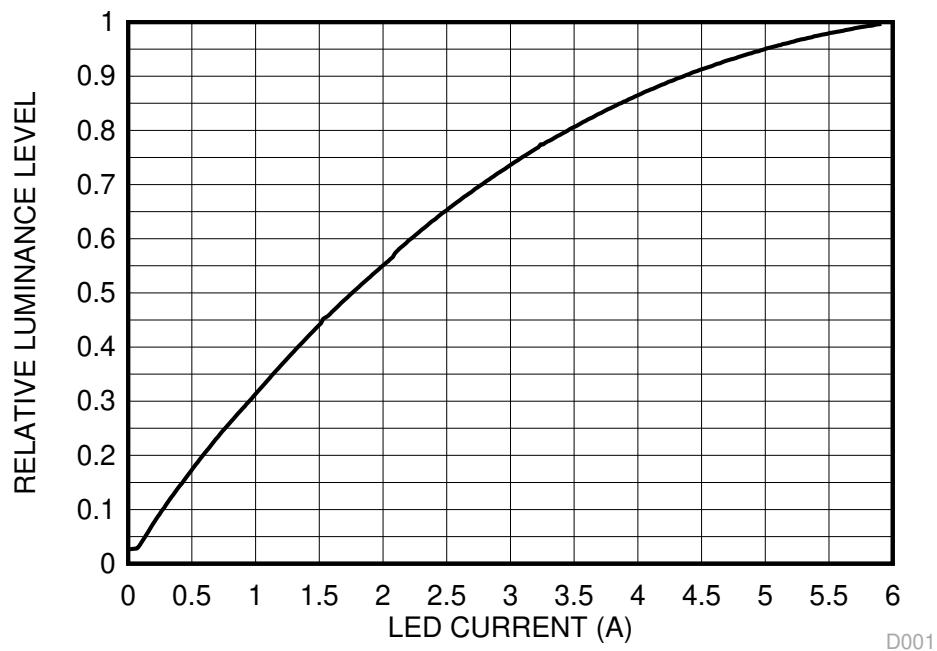


Figure 9-2. Luminance vs LED Current

9.2.2 Typical Application with DLPA3000 Internal Block Diagram

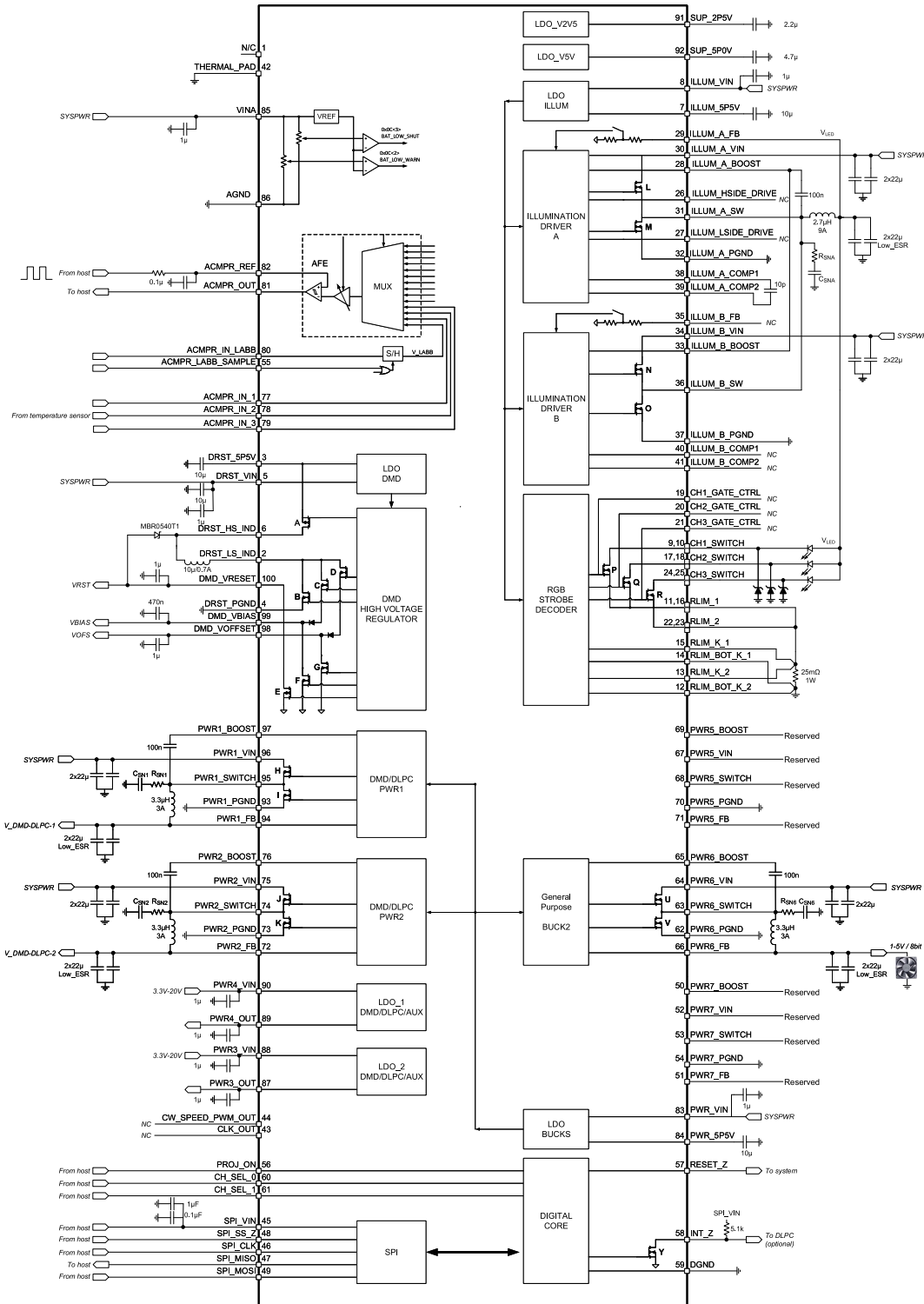


図 9-3. Typical Application: VIN = 12 V, IOUT = 6 A, LED

注

The voltage rating of the capacitor must be equal or greater than two times the applied voltage across the capacitor in the application.

10 Power Supply Recommendations

The DLPA3000 is designed to operate from a 6 V to 20 V input voltage supply or battery. To avoid insufficient supply current due to line drop, ringing due to trace inductance at the VIN terminals, or supply peak current limitations, additional bulk capacitance may be required. In the case of ringing that is caused by the interaction with the ceramic input capacitors, an electrolytic or tantalum type capacitor may be needed for damping.

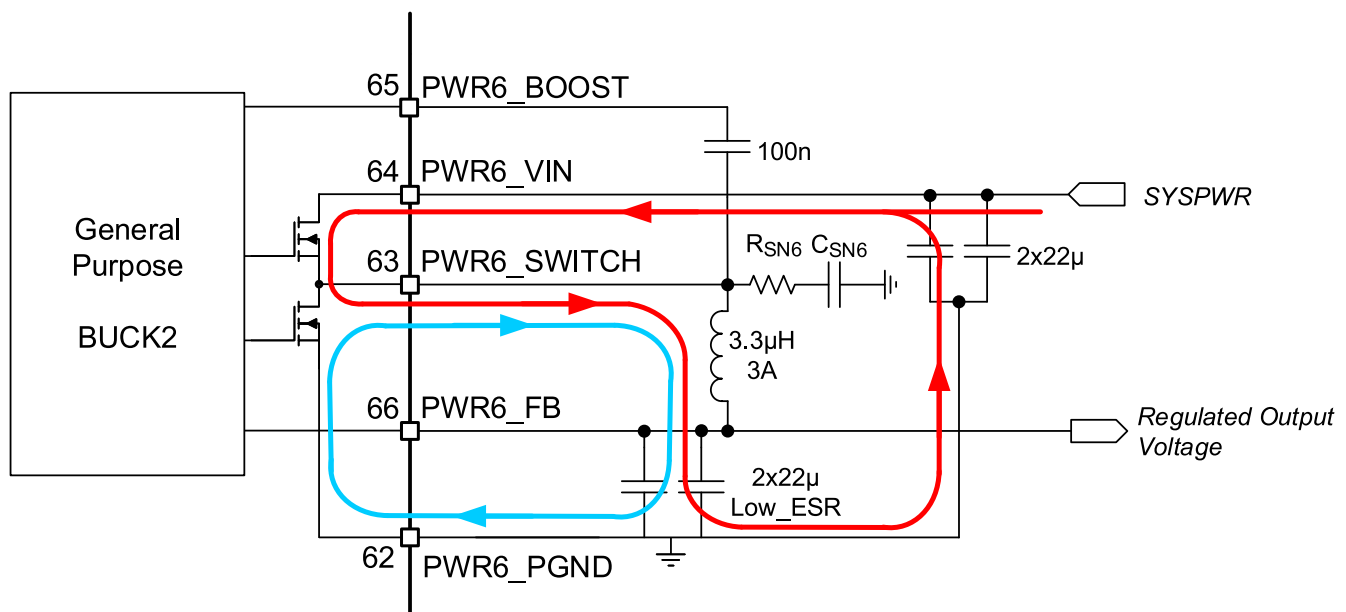
The amount of bulk capacitance required should be evaluated such that the input voltage can remain in spec long enough for a proper fast shutdown to occur for the V_{OFFSET} , V_{RESET} , and V_{BIAS} supplies. The shutdown begins when the input voltage drops below the programmable UVLO threshold, such as when the external power supply or battery supply is suddenly removed from the system.

11 Layout

11.1 Layout Guidelines

For switching power supplies, the layout is an important step in the design process, especially when it concerns high-peak currents and high-switching frequencies. If the layout is not carefully done, the regulator could show stability issues and/or EMI problems. Therefore, it is recommended to use wide- and short-traces for high-current paths and for their return power ground paths. The input capacitor, output capacitor, and inductor should be placed as near as possible to the IC. In order to minimize ground noise coupling between different buck converters, it is advised to separate their grounds and connect them together at a central point under the part.

The high currents of the buck converters concentrate around pins V_{IN} , SWITCH and P_{GND} (☒ 11-1). The voltage at the pins V_{IN} , P_{GND} , and FB are DC voltages while the pin SWITCH has a switching voltage between V_{IN} and P_{GND} . In case the FET between pins 63 and 64 is closed, the red line indicates the current flow while the blue line indicates the current flow when the FET between pins 62 and 63 is closed. These paths carry the highest currents and must be kept as short as possible.



☒ 11-1. High AC Current Paths in a Buck Converter

The trace to the V_{IN} pin carries high AC currents. Therefore, the trace should be low-resistive to prevent voltage drop across the trace. Additionally, the decoupling capacitors should be placed as near to the V_{IN} pin as possible.

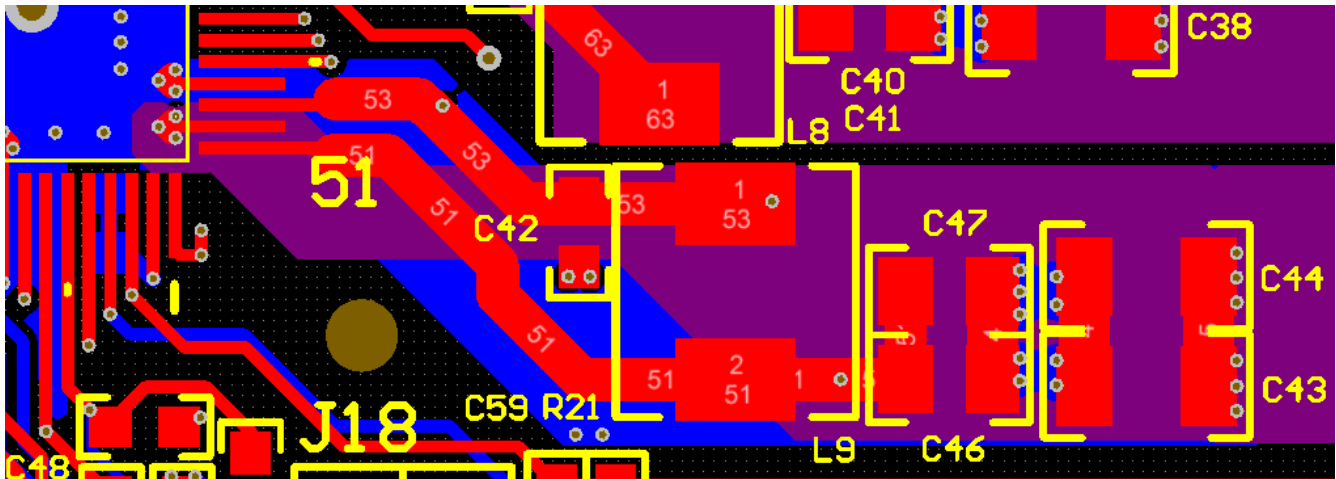
The SWITCH pin is connected alternately to the V_{IN} or GND. This means a square wave voltage is present on the SWITCH pin with an amplitude of V_{IN} and containing high frequencies. This can lead to EMI problems if not properly handled. To reduce EMI problems a snubber network (R_{SN6} and C_{SN6}) is placed at the SWITCH pin to prevent and/or suppress unwanted high-frequency ringing at the moment of switching.

The P_{GND} pin sinks high current and should be connected to a star ground point such that it does not interfere with other ground connections.

The FB pin is the sense connection for the regulated output voltage, which is a DC voltage; no current is flowing through this pin. The voltage on the FB pin is compared with the internal reference voltage in order to control the loop. The FB connection should be made at the load such that $I \cdot R$ drop is not affecting the sensed voltage.

11.2 Layout Example

☒ 11-2 shows a layout example of a buck converter, illustrating the optimal routing and placement of components around the DLPA3000. Use this as a reference for a general purpose buck2 (PWR6). The layout example illustrates the inductor and its accompanying capacitors are as close as possible to their corresponding pins, using the thickest possible traces. The capacitors use multiple vias to the ground layer to maintain a low resistance path and minimize the distance between the ground connections of the output capacitors and the ground connections of the buck converter.



☒ 11-2. Practical Layout

A proper layout requires short traces and separate power grounds to avoid losses from trace resistance and to avoid ground shifting. Use high quality capacitors with low ESR to keep capacitor losses minimal and to maintain an acceptable voltage ripple at the output.

Use a RC snubber network to avoid EMI that can occur when switching high currents at high frequencies. The EMI may have a higher amplitude and frequency than the switching voltage.

11.3 SPI Connections

The SPI interface consists of several digital lines and the SPI supply. If routing of the interface lines is not done properly, communication errors can occur. It should be prevented that SPI lines can pickup noise and possible interfering sources should be kept away from the interface.

Pickup of noise can be prevented by ensuring that the SPI ground line is routed together with the digital lines as much as possible to the respective pins. The SPI interface should be connected by a separate own ground connection to the DGND of the DLPA3000 (☒ 11-3). This prevents ground noise between SPI ground references of DLPA3000 and DLPC due to the high current in the system.

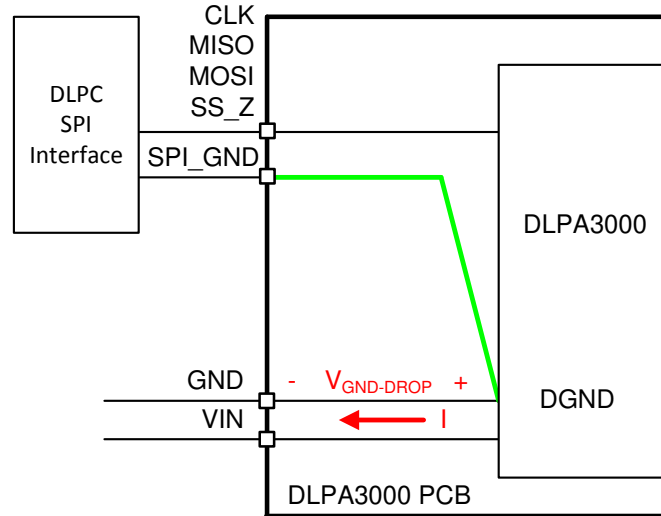


図 11-3. SPI Connections

Interfering sources should be kept away from the interface lines as much as possible. If any power lines are routed too close to the SPI_CLK, it is possible it will lead to false clock pulses and, thus, communication errors.

11.4 R_{LIM} Routing

R_{LIM} senses the LED current. To accurately measure the LED current, connect the RLIM_K_1,2 lines close to the top-side of measurement resistor R_{LIM} , while RLIM_BOT_K_1,2 should be connected close to the bottom-side of R_{LIM} . RLIM_K_1,2 and RLIM_BOT_K_1,2 should all have separate traces from their IC pins to their RLIM connection point.

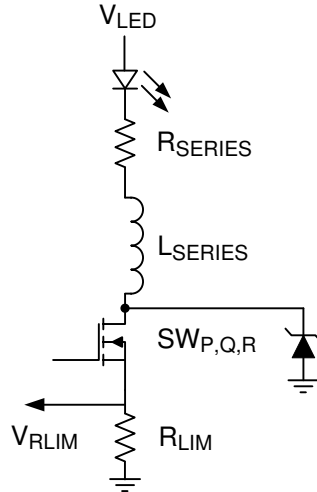
The switched LED current is running through R_{LIM} . Therefore, a low-ohmic ground connection for R_{LIM} is strongly advised.

11.5 LED Connection

High switching currents run through the wiring connecting the external RGB switches and the LEDs. Therefore, special attention needs to be paid here. Two perspectives apply to the LED-to-RGB wiring:

1. The resistance of the wiring, R_{series}
2. The inductance of the wiring, L_{series}

The location of the parasitic series impedances IS depicted in 図 11-4.



11-4. Parasitic Inductance (L_{series}) and Resistance (R_{series}) in Series with LED

Currents up to 6 A can run through the wires connecting the LEDs to the DLPA3000. Some noticeable dissipation can easily be caused. Every 10 mΩ of series resistances implies for 6 A average LED current a parasitic power dissipation of 0.36 W. This might cause PCB heating, but more importantly, the overall system efficiency is deteriorated.

Additionally, the resistance of the wiring might impact the control dynamics of the LED current. It should be noted that the routing resistance is part of the LED current control loop. The LED current is controlled by V_{LED} . For a small change in V_{LED} (ΔV_{LED}) the resulting LED current variation (ΔI_{LED}) is given by the total differential resistance in that path:

$$\Delta I_{LED} = \frac{\Delta V_{LED}}{r_{LED} + R_{series} + R_{on_SW_P,Q,R} + R_{LIM}} \quad (10)$$

in which r_{LED} is the differential resistance of the LED and $R_{on_SW_P,Q,R}$ the on resistance of the strobe decoder switch. In this expression, L_{series} is ignored since realistic values are usually sufficiently low to cause any noticeable impact on the dynamics.

All the comprising differential resistances are in the range of 25 mΩ to several 100s mΩ. Without paying special attention, a series resistance of 100 mΩ can easily be obtained. It is advised to keep this series resistance sufficiently low, that is, <50 mΩ.

The series inductance plays an important role when considering the switched nature of the LED current. While cycling through R, G, and B LEDs, the current through these branches is turned-on and turned-off in short-time duration. Specifically, turning-off is fast. A current of 6 A goes to 0 A in a matter of 50 ns. This implies a voltage spike of about 1 V for every 10 nH of parasitic inductance. It is recommended to minimize the series inductance of the LED wiring by:

- Short wires
- Thick wires / multiple parallel wires
- Small enclosed area of the forward and return current path

If the inductance cannot be made sufficiently low, a Zener diode needs to be used to clamp the drain voltage of the RGB switch, such it does not surpass the absolute maximum rating. The clamping voltage needs to be chosen between the maximum expected V_{LED} and the absolute maximum rating. Take care of sufficient margin of the clamping voltage relative to the mentioned minimum and maximum voltage.

11.6 Thermal Considerations

Power dissipation must be considered when implementing integrated circuits in low-profile and fine-pitch surface-mount packages. Many system related issues may affect power dissipation: thermal coupling, airflow, adding heat sinks and convection surfaces, and the presence of other heat-generating components. In general, there are three basic methods that can be used to improve thermal performance:

- Improving the heat sinking capability of the PCB
- Reducing thermal resistance to the environment of the chip by adding or increasing heat sink capability on top of the package
- Adding or increasing airflow in the system

Power delivered to the LEDs can be greater than 30 W and the power dissipated by the DLPA3000 can be considerable. For proper DLPA3000 operation, the details below outline thermal considerations for a DLPA3000 application.

The recommended junction temperature for the DLPA3000 is below 120°C during operation. The equation that relates junction temperature, T_{junction} , is given by:

$$T_{\text{junction}} = T_{\text{ambient}} + P_{\text{diss}} \cdot R_{\theta\text{JA}} \quad (11)$$

where T_{ambient} is the ambient temperature, P_{diss} is the total power dissipation, and $R_{\theta\text{JA}}$ is the thermal resistance from junction to ambient.

The total power dissipation may vary depending on the application of the DLPA3000. The main contributors in the DLPA3000 are typically:

- Buck converters
- RGB strobe decoder switches
- LDOs

For the buck converter, the dissipated power is given by:

$$P_{\text{diss_buck}} = P_{\text{in}} - P_{\text{out}} = P_{\text{out}} \left(\frac{1}{\eta_{\text{buck}}} - 1 \right) \quad (12)$$

where η_{buck} is the efficiency of the buck converter, P_{in} is the power delivered at the input of the buck converter, and P_{out} is the power delivered to the load of the buck converter. For the buck converter PWR1,2,6, the efficiency can be determined using the curves in [Figure 7-22](#).

Similarly, for the buck converter in the illumination block, the dissipated power $P_{\text{diss_illum_buck}}$ can be calculated using the expression for $P_{\text{diss_buck}}$. For the illumination block, an extra term needs to be added to the dissipation; that is, the dissipation of the LED switch. So, the dissipation for the illumination block, $P_{\text{diss_illum}}$, can be described by:

$$P_{\text{diss_illum}} = P_{\text{out_LEDs}} \left(\frac{1}{\eta_{\text{illum_buck}}} - 1 \right) + I_{\text{LED_avg}}^2 \cdot R_{\text{sw_PQR}} \quad (13)$$

where $P_{\text{out_LEDs}}$ represents the total power supplied to the LEDs, $I_{\text{LED_avg}}$ is the average LED current, and $R_{\text{sw_PQR}}$ is the on-resistance of the RGB strobe controller switches. It should be noted here that the sense resistor, R_{LIM} , also carries the average LED current, but it is not added to the equation of the dissipation for the illumination block. The R_{LIM} is external to the DLPA3000 and it does not contribute the heat directly to the DLPA3000. For the total system dissipation, R_{LIM} should be included.

For the LDO, the power dissipation is given by:

$$P_{\text{diss_LDO}} = (V_{\text{in}} - V_{\text{out}}) \cdot I_{\text{load}} \quad (14)$$

where V_{in} is the input supply voltage, V_{out} is the output voltage of the LDO, and I_{load} is the load current of the LDO.

The voltage drops over the LDO ($V_{\text{in}} - V_{\text{out}}$) can be relatively large; a small load current can result in significant power dissipation. For this situation, a general purpose buck converter can be a more efficient solution.

The LDO DMD provides power to the boost converter, and the boost converter provides high voltages for the DMD; that is, V_{BIAS} , V_{OFS} , V_{RST} . The current load on these lines can increase up to $I_{\text{load,max}} = 10$ mA. Assuming the efficiency of the boost converter, η_{boost} , is 80%, the maximum boost converter power dissipation, $P_{\text{diss_DMD_boost,max}}$, can be calculated as:

$$P_{\text{diss_DMD_boost,max}} = I_{\text{load,max}} (V_{\text{BIAS}} + V_{\text{OFS}} + |V_{\text{RST}}|) \cdot \left(\frac{1}{\eta_{\text{boost}}} - 1 \right) \approx 0.1\text{W} \quad (15)$$

Compared to the power dissipation of the illumination buck converter, the power dissipation of the boost converter is negligible. However, the power dissipation of the LDO DMD, $P_{\text{diss_LDO_DMD}}$ should be given consideration in the case of a high supply voltage. The worst-case load current for the LDO is given by:

$$I_{\text{load_LDO,max}} = \frac{1}{\eta_{\text{boost}}} \frac{(V_{\text{BIAS}} + V_{\text{OFS}} + |V_{\text{RST}}|)}{V_{\text{DRST_5P5V}}} I_{\text{load,max}} \approx 100\text{mA} \quad (16)$$

where the output voltage of the LDO is $V_{\text{DRST_5P5V}} = 5.5$ V.

The worst-case power dissipation of the LDO DMD is approximately 1.5 W when the input supply voltage is 19.5 V. For your specific application, it is recommended to check the LDO current level. Therefore, the total power dissipation of the DLPA3000 can be described as:

$$P_{\text{diss_DLPA3000}} = \sum P_{\text{buck_converters}} + \sum P_{\text{illumination}} + \sum P_{\text{LDOs}} \quad (17)$$

The following examples calculate of the maximum ambient temperature and the junction temperature based on known information.

If it is assumed that the total dissipation $P_{\text{diss_DLPA3000}} = 7.5$ W, $T_{\text{junction,max}} = 120$ °C, $R_{\theta\text{JA}} = 7$ °C/W (refer to [Thermal Information](#)), then the maximum ambient temperature can be calculated using 式 11:

$$T_{\text{ambient,max}} = T_{\text{junction,max}} - P_{\text{diss}} \cdot R_{\theta\text{JA}} = 120^\circ\text{C} - 7.5\text{W} \cdot 7^\circ\text{C/W} = 67.5^\circ\text{C} \quad (18)$$

If the total power dissipation and the ambient temperature are known as:

$T_{\text{ambient}} = 50$ °C, $R_{\theta\text{JA}} = 7$ °C/W, $P_{\text{diss_DLPA3000}} = 7.5$ W.

the junction temperature can be calculated:

$$T_{\text{junction}} = T_{\text{ambient}} + P_{\text{diss}} \cdot R_{\theta\text{JA}} = 50^\circ\text{C} + 7.5\text{W} \cdot 7^\circ\text{C/W} = 102.5^\circ\text{C} \quad (19)$$

If the combination of ambient temperature and the total power dissipation of the DLPA3000 does not produce an acceptable junction temperature, that is, $<120^\circ\text{C}$, there are two approaches:

1. Using larger heat sink or more airflow to reduce $R_{\theta\text{JA}}$
2. Reduce power dissipation in DLPA3000:
 - Use an external buck converter instead of an internal general purpose buck converter.
 - Reduce load current for the buck converter.

The following example shows how to calculate the maximum I_{LED} at 6A when the junction temperature exceeds the maximum allowed temperature.. If it is assumed that $P_{buck_converters} = 1\text{ W}$, $P_{LDOs} = 0.5\text{ W}$, $T_{ambient} = 75^{\circ}\text{C}$, $R_{\theta JA} = 7^{\circ}\text{C/W}$, $V_{LED} = 3.5\text{ V}$ and $T_{junction,max} = 120^{\circ}\text{C}$, then the total maximum allowed dissipation for the DLPA3000 can be calculated:

$$P_{diss,max} = \frac{T_{junction,max} - T_{ambient}}{R_{\theta JA}} = \frac{120^{\circ}\text{C} - 75^{\circ}\text{C}}{7^{\circ}\text{C/W}} = 6.4\text{W} \quad (20)$$

The total dissipation for the buck converters and LDOs is 1.5W, so the maximum dissipation for the illumination block is 4.9W.

The efficiency of the converter can be determined from [Figure 8-13](#). For $V_{LED} = 3.5\text{ V}$ and I_{LED} is between 4 A and 6 A, the average efficiency is about 80%. The typically value of the on resistance of switch P,Q,R is 30 mOhm. Assuming V_{LED} is independent of I_{LED} , the I_{LED} can be calculated using [Equation 13](#):

$$P_{diss_illum} = V_{LED} \cdot I_{LED} \cdot \left(\frac{1}{\eta_{illum_buck}} - 1 \right) + I_{LED}^2 \cdot R_{on_sw_PQR} \quad (21)$$

$$I_{LED} = \sqrt{\frac{V_{LED}^2 \left(\frac{1}{\eta_{illum_buck}} - 1 \right)^2}{4R_{on_sw_PQR}^2} + \frac{P_{diss_illum}}{R_{on_sw_PQR}}} - \frac{V_{LED} \left(\frac{1}{\eta_{illum_buck}} - 1 \right)}{2R_{on_sw_PQR}} = 4.8\text{ A} \quad (22)$$

12 Device and Documentation Support

12.1 サード・パーティ製品に関する免責事項

サード・パーティ製品またはサービスに関するテキサス・インスツルメンツの出版物は、単独またはテキサス・インスツルメンツの製品、サービスと一緒に提供される場合に関係なく、サード・パーティ製品またはサービスの適合性に関する是認、サード・パーティ製品またはサービスの是認の表明を意味するものではありません。

12.2 Device Support

12.2.1 Device Nomenclature

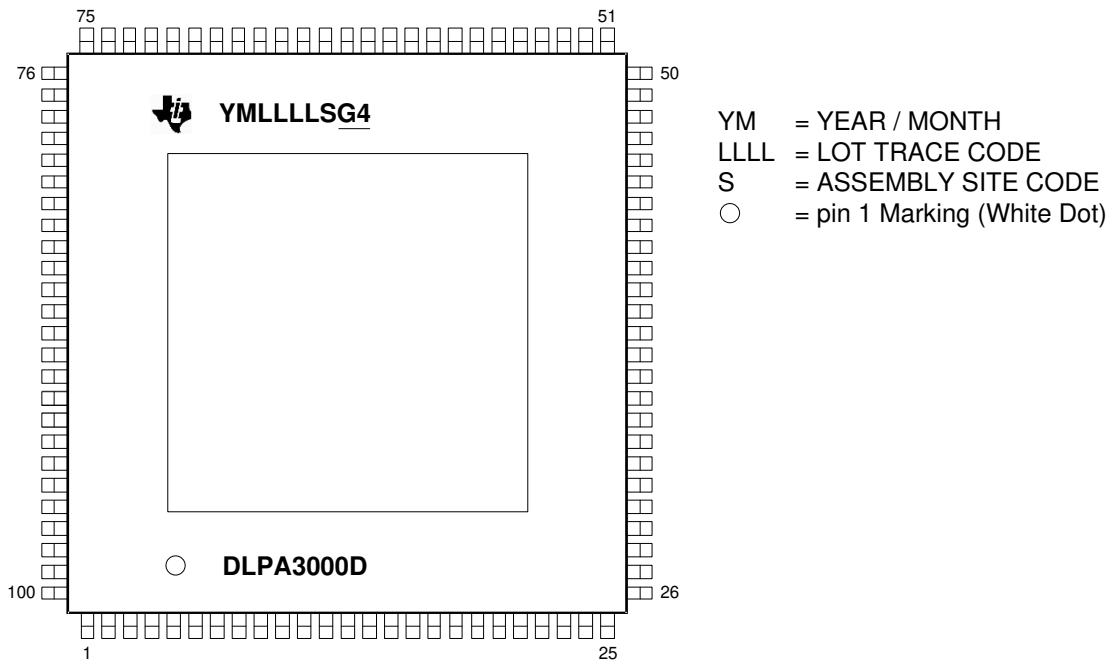


図 12-1. Package Marking DLPA3000 (Top View)

12.3 Related Links

The table below lists quick access links. Categories include technical documents, support and community resources, tools and software, and quick access to sample or buy.

表 12-1. Related Links

| PARTS | PRODUCT FOLDER | SAMPLE & BUY | TECHNICAL DOCUMENTS | TOOLS & SOFTWARE | SUPPORT & COMMUNITY |
|----------|----------------------------|----------------------------|----------------------------|----------------------------|----------------------------|
| DLPA3000 | Click here | Click here | Click here | Click here | Click here |
| DLPC3433 | Click here | Click here | Click here | Click here | Click here |
| DLPC3438 | Click here | Click here | Click here | Click here | Click here |

12.4 ドキュメントの更新通知を受け取る方法

ドキュメントの更新についての通知を受け取るには、ti.com のデバイス製品フォルダを開いてください。「更新の通知を受け取る」をクリックして登録すると、変更されたすべての製品情報に関するダイジェストを毎週受け取れます。変更の詳細については、修正されたドキュメントに含まれている改訂履歴をご覧ください。

12.5 サポート・リソース

TI E2E™ サポート・フォーラムは、エンジニアが検証済みの回答と設計に関するヒントをエキスパートから迅速かつ直接得ることができる場所です。既存の回答を検索したり、独自の質問をしたりすることで、設計に必要な支援を迅速に得ることができます。

リンクされているコンテンツは、該当する貢献者により、現状のまま提供されるものです。これらは TI の仕様を構成するものではなく、必ずしも TI の見解を反映したものではありません。TI の [使用条件](#) を参照してください。

12.6 Trademarks

Pico™ is a trademark of Texas Instruments.

TI E2E™ is a trademark of Texas Instruments.

DLP® is a registered trademark of Texas Instruments.

is a registered trademark of Texas Instruments.

すべての商標は、それぞれの所有者に帰属します。

12.7 サポート・リソース

TI E2E™ サポート・フォーラムは、エンジニアが検証済みの回答と設計に関するヒントをエキスパートから迅速かつ直接得ることができる場所です。既存の回答を検索したり、独自の質問をしたりすることで、設計に必要な支援を迅速に得ることができます。

リンクされているコンテンツは、該当する貢献者により、現状のまま提供されるものです。これらは TI の仕様を構成するものではなく、必ずしも TI の見解を反映したものではありません。TI の [使用条件](#) を参照してください。

12.8 静電気放電に関する注意事項



この IC は、ESD によって破損する可能性があります。テキサス・インスツルメンツは、IC を取り扱う際には常に適切な注意を払うことを推奨します。正しい取り扱いおよび設置手順に従わない場合、デバイスを破損するおそれがあります。

ESD による破損は、わずかな性能低下からデバイスの完全な故障まで多岐にわたります。精密な IC の場合、パラメータがわずかに変化するだけで公表されている仕様から外れる可能性があるため、破損が発生しやすくなっています。

12.9 用語集

テキサス・インスツルメンツ用語集

この用語集には、用語や略語の一覧および定義が記載されています。

13 Mechanical, Packaging, and Orderable Information

The following pages include mechanical, packaging, and orderable information. This information is the most current data available for the designated devices. This data is subject to change without notice and revision of this document. For browser-based versions of this data sheet, refer to the left-hand navigation.

PACKAGING INFORMATION

| Orderable Device | Status (1) | Package Type | Package Drawing | Pins | Package Qty | Eco Plan (2) | Lead finish/ Ball material (6) | MSL Peak Temp (3) | Op Temp (°C) | Device Marking (4/5) | Samples |
|------------------|---------------|--------------|-----------------|------|-------------|-----------------|--------------------------------------|----------------------|--------------|-------------------------|-------------------------|
| DLPA3000DPFD | ACTIVE | HTQFP | PFD | 100 | 90 | RoHS & Green | NIPDAU | Level-2-260C-1 YEAR | 0 to 70 | DLPA3000D | Samples |
| DLPA3000DPFDR | ACTIVE | HTQFP | PFD | 100 | 1000 | RoHS & Green | NIPDAU | Level-2-260C-1 YEAR | 0 to 70 | DLPA3000D | Samples |

(1) The marketing status values are defined as follows:

ACTIVE: Product device recommended for new designs.

LIFEBUY: TI has announced that the device will be discontinued, and a lifetime-buy period is in effect.

NRND: Not recommended for new designs. Device is in production to support existing customers, but TI does not recommend using this part in a new design.

PREVIEW: Device has been announced but is not in production. Samples may or may not be available.

OBSOLETE: TI has discontinued the production of the device.

(2) **RoHS:** TI defines "RoHS" to mean semiconductor products that are compliant with the current EU RoHS requirements for all 10 RoHS substances, including the requirement that RoHS substance do not exceed 0.1% by weight in homogeneous materials. Where designed to be soldered at high temperatures, "RoHS" products are suitable for use in specified lead-free processes. TI may reference these types of products as "Pb-Free".

RoHS Exempt: TI defines "RoHS Exempt" to mean products that contain lead but are compliant with EU RoHS pursuant to a specific EU RoHS exemption.

Green: TI defines "Green" to mean the content of Chlorine (Cl) and Bromine (Br) based flame retardants meet JS709B low halogen requirements of <=1000ppm threshold. Antimony trioxide based flame retardants must also meet the <=1000ppm threshold requirement.

(3) MSL, Peak Temp. - The Moisture Sensitivity Level rating according to the JEDEC industry standard classifications, and peak solder temperature.

(4) There may be additional marking, which relates to the logo, the lot trace code information, or the environmental category on the device.

(5) Multiple Device Markings will be inside parentheses. Only one Device Marking contained in parentheses and separated by a "~" will appear on a device. If a line is indented then it is a continuation of the previous line and the two combined represent the entire Device Marking for that device.

(6) Lead finish/Ball material - Orderable Devices may have multiple material finish options. Finish options are separated by a vertical ruled line. Lead finish/Ball material values may wrap to two lines if the finish value exceeds the maximum column width.

Important Information and Disclaimer:The information provided on this page represents TI's knowledge and belief as of the date that it is provided. TI bases its knowledge and belief on information provided by third parties, and makes no representation or warranty as to the accuracy of such information. Efforts are underway to better integrate information from third parties. TI has taken and continues to take reasonable steps to provide representative and accurate information but may not have conducted destructive testing or chemical analysis on incoming materials and chemicals. TI and TI suppliers consider certain information to be proprietary, and thus CAS numbers and other limited information may not be available for release.

In no event shall TI's liability arising out of such information exceed the total purchase price of the TI part(s) at issue in this document sold by TI to Customer on an annual basis.

TRAY



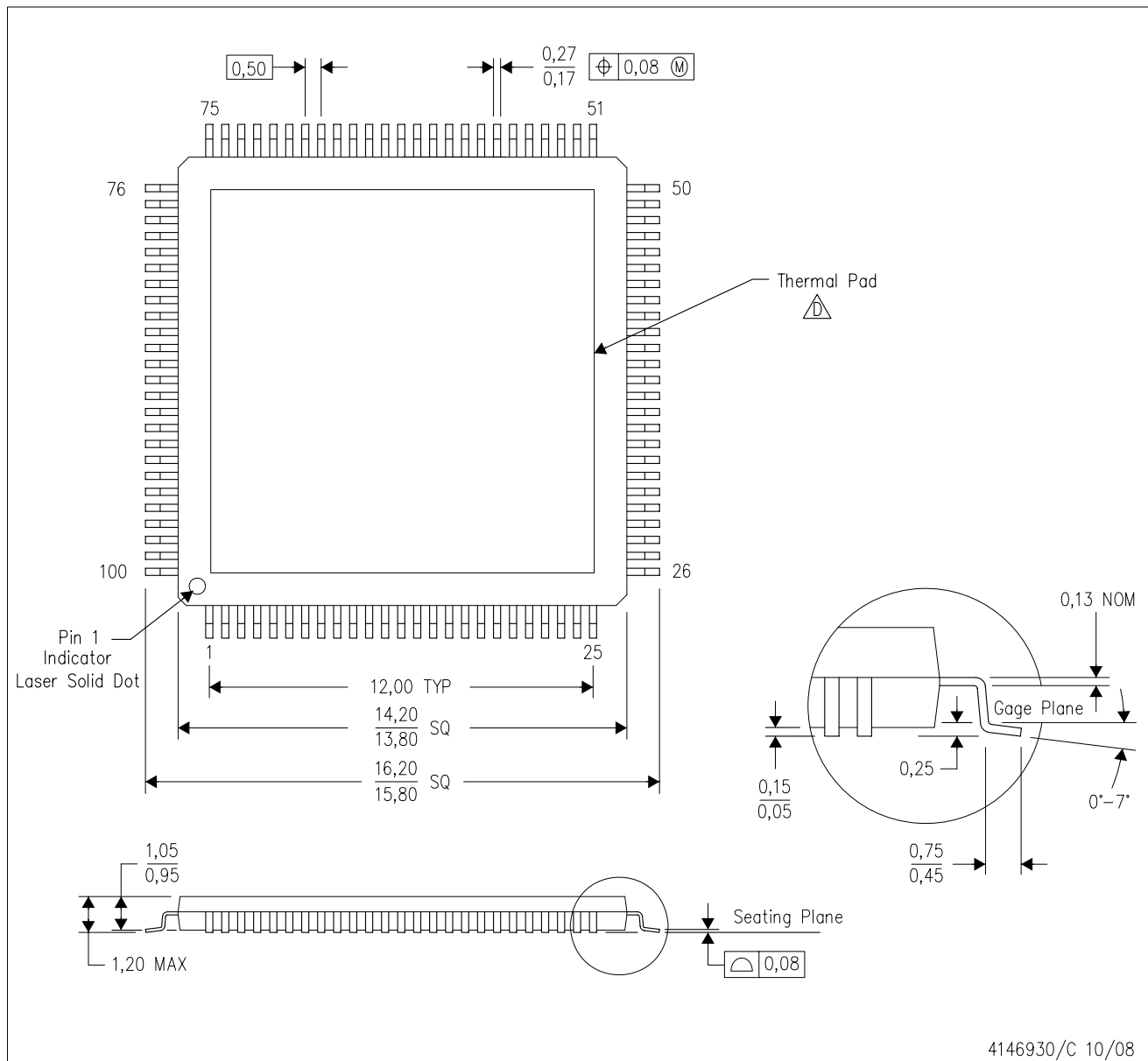
Chamfer on Tray corner indicates Pin 1 orientation of packed units.

*All dimensions are nominal

| Device | Package Name | Package Type | Pins | SPQ | Unit array matrix | Max temperature (°C) | L (mm) | W (mm) | K0 (µm) | P1 (mm) | CL (mm) | CW (mm) |
|--------------|--------------|--------------|------|-----|-------------------|----------------------|--------|--------|---------|---------|---------|---------|
| DLPA3000DPFD | PFD | HTQFP | 100 | 90 | 6 X 15 | 150 | 315 | 135.9 | 7620 | 20.3 | 15.4 | 15.45 |

MECHANICAL DATA

PFD (S-PQFP-G100) PowerPAD™ PLASTIC QUAD FLATPACK (DIE DOWN)



- NOTES:
- A. All linear dimensions are in millimeters. Dimensioning and tolerancing per ASME Y14.5M-1994.
 - B. This drawing is subject to change without notice.
 - C. Body dimensions do not include mold flash or protrusion.
 - △ This package is designed to be attached directly to an external heatsink. Refer to Technical Brief, PowerPAD Thermally Enhanced Package, Texas Instruments Literature No. SLMA002 for information regarding recommended board layout. This document is available at www.ti.com <<http://www.ti.com>>. See the product data sheet for details regarding the exposed thermal pad dimensions.
 - E. Falls within JEDEC MS-026

PowerPAD is a trademark of Texas Instruments.

THERMAL PAD MECHANICAL DATA

PFD (S-PQFP-G100)

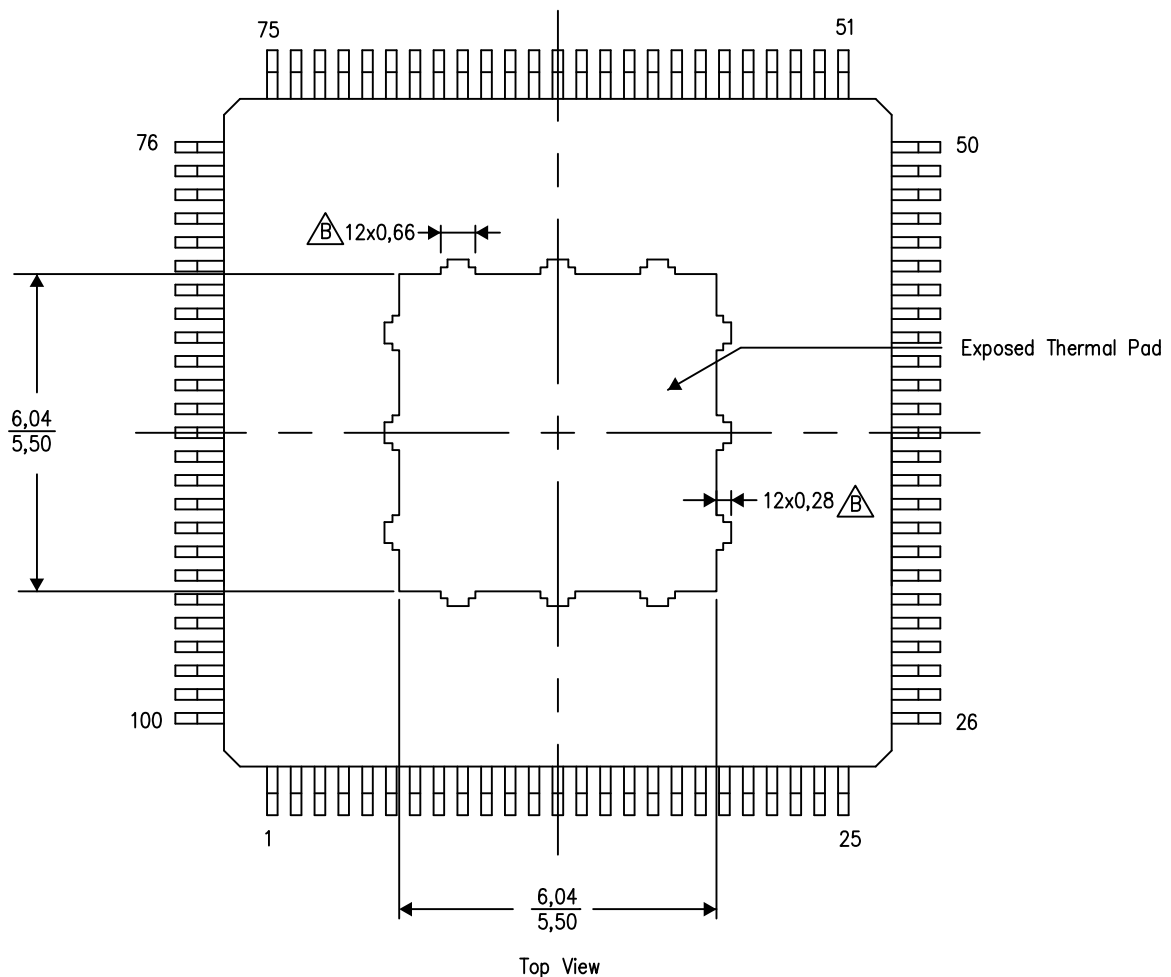
PowerPAD™ PLASTIC QUAD FLATPACK

THERMAL INFORMATION

This PowerPAD™ package incorporates an exposed thermal pad that is designed to be attached directly to an external heatsink. This design optimizes the heat transfer from the integrated circuit (IC).

For additional information on the PowerPAD package and how to take advantage of its heat dissipating abilities, refer to Technical Brief, PowerPAD Thermally Enhanced Package, Texas Instruments Literature No. SLMA002 and Application Brief, PowerPAD Made Easy, Texas Instruments Literature No. SLMA004. Both documents are available at www.ti.com.


The exposed thermal pad dimensions for this package are shown in the following illustration.



Exposed Thermal Pad Dimensions

4211595-3/B 06/14

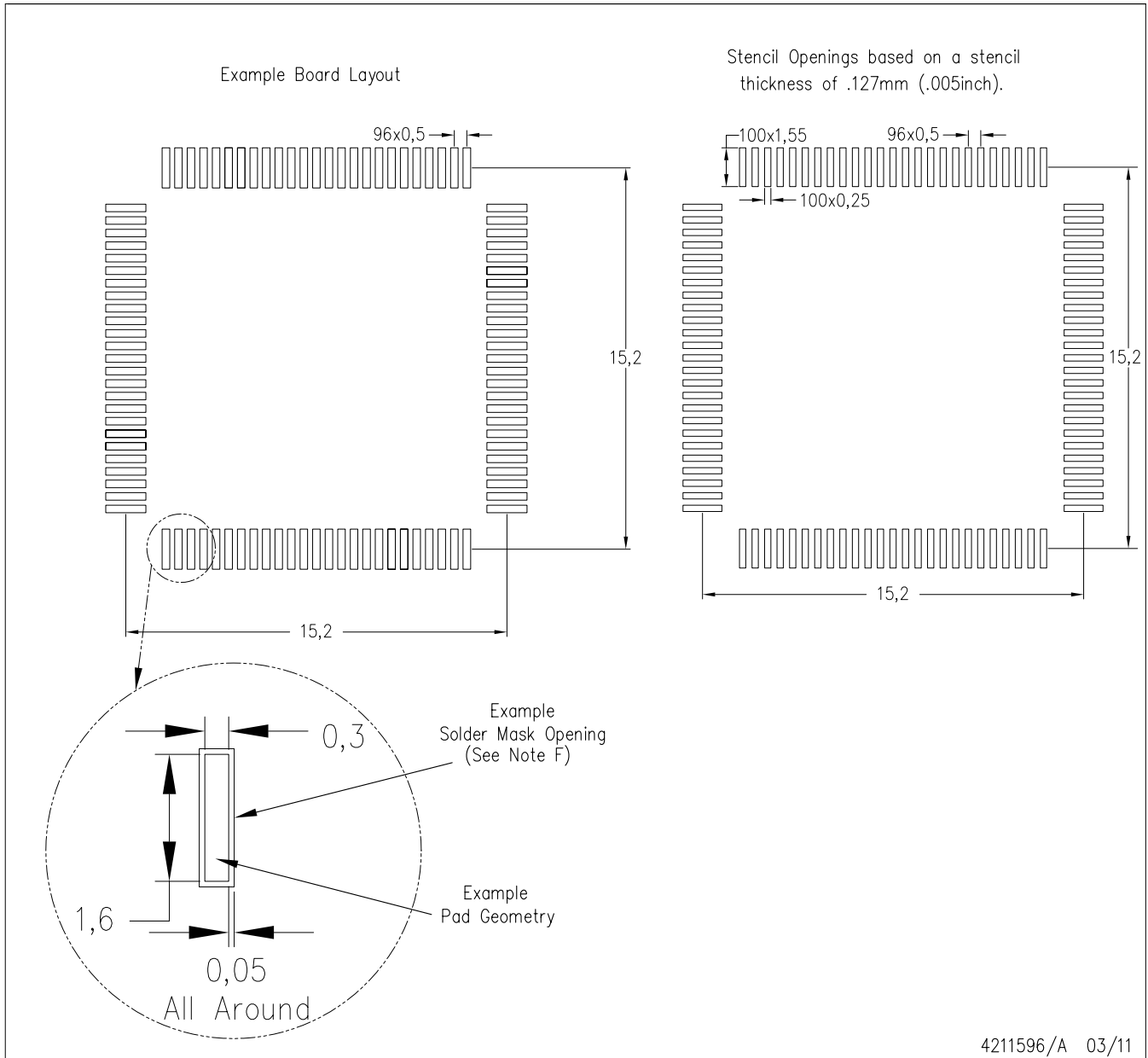
NOTE: A. All linear dimensions are in millimeters

 Tie strap features may not be present.

PowerPAD is a trademark of Texas Instruments

PFD (S-PQFP-G100)

PowerPAD™ PLASTIC QUAD FLATPACK



- NOTES:
- A. All linear dimensions are in millimeters.
 - B. This drawing is subject to change without notice.
 - C. Laser cutting apertures with trapezoidal walls and also rounding corners will offer better paste release. Customers should contact their board assembly site for stencil design recommendations. Example stencil design based on a 50% volumetric metal load solder paste. Refer to IPC-7525 for other stencil recommendations.
 - D. Customers should contact their board fabrication site for solder mask tolerances between and around signal pads.

重要なお知らせと免責事項

TI は、技術データと信頼性データ (データシートを含みます)、設計リソース (リファレンス・デザインを含みます)、アプリケーションや設計に関する各種アドバイス、Web ツール、安全性情報、その他のリソースを、欠陥が存在する可能性のある「現状のまま」提供しており、商品性および特定目的に対する適合性の黙示保証、第三者の知的財産権の非侵害保証を含むいかなる保証も、明示的または黙示的にかかわらず拒否します。

これらのリソースは、TI 製品を使用する設計の経験を積んだ開発者への提供を意図したものです。(1) お客様のアプリケーションに適した TI 製品の選定、(2) お客様のアプリケーションの設計、検証、試験、(3) お客様のアプリケーションに該当する各種規格や、その他のあらゆる安全性、セキュリティ、規制、または他の要件への確実な適合に関する責任を、お客様のみが単独で負うものとし、

上記の各種リソースは、予告なく変更される可能性があります。これらのリソースは、リソースで説明されている TI 製品を使用するアプリケーションの開発の目的でのみ、TI はその使用をお客様に許諾します。これらのリソースに関して、他の目的で複製することや掲載することは禁止されています。TI や第三者の知的財産権のライセンスが付与されている訳ではありません。お客様は、これらのリソースを自身で使用した結果発生するあらゆる申し立て、損害、費用、損失、責任について、TI およびその代理人を完全に補償するものとし、TI は一切の責任を拒否します。

TI の製品は、[TI の販売条件](#)、または [ti.com](https://www.ti.com) やかかる TI 製品の関連資料などのいずれかを通じて提供する適用可能な条項の下で提供されています。TI がこれらのリソースを提供することは、適用される TI の保証または他の保証の放棄の拡大や変更を意味するものではありません。

お客様がいかなる追加条項または代替条項を提案した場合でも、TI はそれらに異議を唱え、拒否します。

郵送先住所 : Texas Instruments, Post Office Box 655303, Dallas, Texas 75265
Copyright © 2023, Texas Instruments Incorporated