

DLP650LE 0.65 インチ WXGA デジタル マイクロミラー デバイス

1 特長

- 対角 0.65 インチのマイクロミラー アレイ
 - WXGA (1280 × 800) アレイ、100 万超のマイクロミラー付き
 - 10.8 μ m のマイクロミラー ピッチ
 - マイクロミラー傾斜角: $\pm 12^\circ$ (フラット状態に対して)
 - コーナー イルミネーション (対角照射) 対応
- 2 つの LVDS 入力データバス
- DLP650LE チップセットの構成部品:
 - DLP650LE DMD
 - DLPC4420 コントローラ
 - DLPA100 コントローラ パワー マネージメントおよびモータードライバ IC
 - DLPA200 DMD パワー マネージメント IC

2 アプリケーション

- スマート照明
- ビジネス・プロジェクト
- 教育用プロジェクト

3 概要

テキサス・インスツルメンツ DLP® DLP650LE デジタル マイクロミラー デバイス (DMD) は、デジタル制御型の MEMS (micro-electromechanical system) 空間光変調器 (SLM) で、色鮮やかな WXGA ディスプレイソリューションを低コストで実現します。DLP650LE DMD は、DLPC4420 ディスプレイ コントローラ、DLPA100 電源およびモータードライバ、DLPA200 DMD マイクロミラー ドライバと組み合わせて使用すると、高性能システムを実現できます。16:10 の広いアスペクト比、高輝度、システムの簡素化を必要とするディスプレイ アプリケーションに最適です。DLP650LE DMD は、DLPC4430 をディスプレイ コントローラとして使用することもできます。

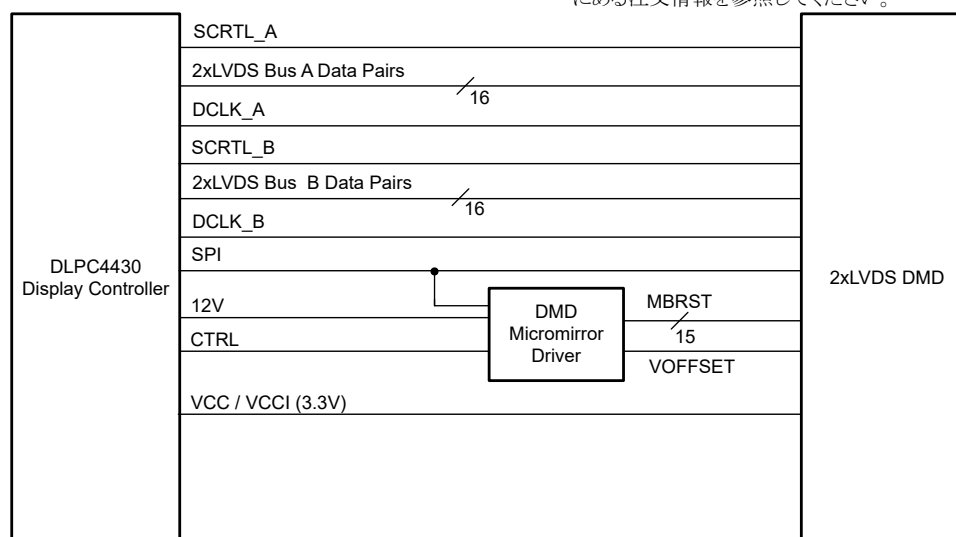
DMD のエコシステムに、設計期間の短縮に役立つ定評あるリソースが用意されています。承認済みの光学モジュール メーカーやサード パーティ プロバイダを探すには、DLP® Products サード パーティ プロバイダ検索ツールをご利用ください。

DMD を使用して設計を始める方法の詳細については、『テキサス・インスツルメンツの DLP ディスプレイ テクノロジーを使用した設計の開始』をご覧ください。

製品情報

部品番号	パッケージ ⁽¹⁾	パッケージ サイズ
DLP650LE	FYL (149)	32.20mm × 22.30mm

(1) 利用可能なすべてのパッケージについては、データシートの末尾にある注文情報を参照してください。



DLP650LE のアプリケーション概略図



Table of Contents

1 特長	1	6.5 Optical Interface and System Image Quality Considerations.....	22
2 アプリケーション	1	6.6 Micromirror Array Temperature Calculation.....	23
3 概要	1	6.7 Micromirror Power Density Calculation.....	24
4 Pin Configuration and Functions	3	6.8 Micromirror Landed-On/Landed-Off Duty Cycle.....	26
5 Specifications	8	7 Application and Implementation	29
5.1 Absolute Maximum Ratings.....	8	7.1 Application Information.....	29
5.2 Storage Conditions.....	9	7.2 Typical Application.....	29
5.3 ESD Ratings.....	9	8 Power Supply Recommendations	32
5.4 Recommended Operating Conditions.....	9	8.1 DMD Power Supply Power-Up Procedure.....	32
5.5 Thermal Information.....	12	8.2 DMD Power Supply Power-Down Procedure.....	32
5.6 Electrical Characteristics.....	12	9 Device and Documentation Support	34
5.7 Capacitance at Recommended Operating Conditions.....	12	9.1 サード・パーティ製品に関する免責事項.....	34
5.8 Timing Requirements.....	13	9.2 Device Support.....	34
5.9 Window Characteristics.....	16	9.3 Documentation Support.....	34
5.10 System Mounting Interface Loads.....	16	9.4 ドキュメントの更新通知を受け取る方法.....	35
5.11 Micromirror Array Physical Characteristics.....	17	9.5 サポート・リソース.....	35
5.12 Micromirror Array Optical Characteristics.....	18	9.6 Trademarks.....	35
5.13 Chipset Component Usage Specification.....	19	9.7 静電気放電に関する注意事項.....	35
6 Detailed Description	20	9.8 用語集.....	35
6.1 Overview.....	20	10 Revision History	35
6.2 Functional Block Diagram.....	21	11 Mechanical, Packaging, and Orderable Information	37
6.3 Feature Description.....	22		
6.4 Device Functional Modes.....	22		

4 Pin Configuration and Functions

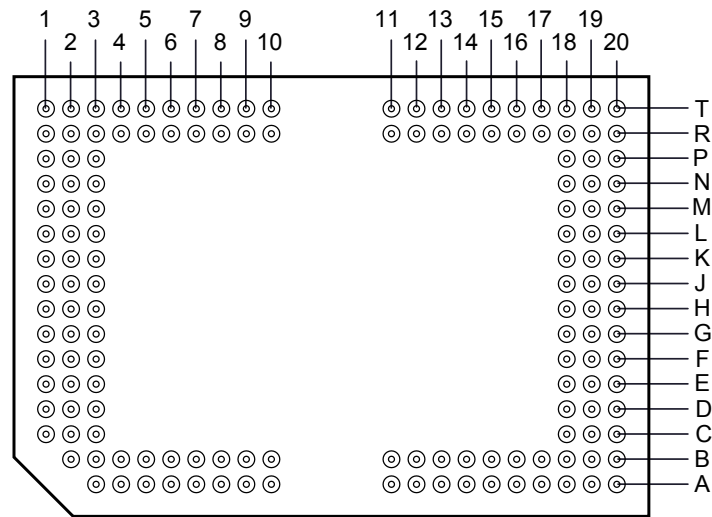


図 4-1. FYL Package 149-Pin CLGA Bottom View

表 4-1. Pin Functions

PIN		NET LENGTH (mils)	SIGNAL	TYPE ⁽¹⁾	DESCRIPTION
NAME	NO.				
DATA INPUTS					
D_AN(1)	G20	711.64	LVDS	I	LVDS pair for Data Bus A
D_AN(3)	H19	711.60			
D_AN(5)	F18	711.60			
D_AN(7)	E18	711.60			
D_AN(9)	C20	711.60			
D_AN(11)	B18	711.60			
D_AN(13)	A20	711.60			
D_AN(15)	B19	711.58			
D_AP(1)	H20	711.66			
D_AP(3)	G19	711.61			
D_AP(5)	G18	711.59			
D_AP(7)	D18	711.60			
D_AP(9)	D20	711.59			
D_AP(11)	A18	711.58			
D_AP(13)	B20	711.59			
D_AP(15)	A19	711.59			

表 4-1. Pin Functions (続き)

PIN		NET LENGTH (mils)	SIGNAL	TYPE ⁽¹⁾	DESCRIPTION
NAME	NO.				
D_BN(1)	K20	711.61	LVDS	I	LVDS pair for Data Bus B
D_BN(3)	J19	711.59			
D_BN(5)	L18	711.59			
D_BN(7)	M18	711.6			
D_BN(9)	P20	711.6			
D_BN(11)	R18	711.59			
D_BN(13)	T20	711.59			
D_BN(15)	R19	711.59			
D_BP(1)	J20	711.61			
D_BP(3)	K19	711.6			
D_BP(5)	K18	711.58			
D_BP(7)	N18	711.58			
D_BP(9)	N20	711.6			
D_BP(11)	T18	711.61			
D_BP(13)	R20	711.59			
D_BP(15)	T19	711.6			
DCLK_AN	D19	711.59		I	LVDS pair for Data Clock A
DCLK_AP	E19	711.59			
DCLK_BN	N19	711.6		I	LVDS pair for Data Clock B
DCLK_BP	M19	711.61			
DATA CONTROL INPUTS					
SCTRL_AN	F20	711.62		I	LVDS pair for Serial Control (Sync) A
SCTRL_AP	E20	711.6			
SCTRL_BN	L20	711.59		I	LVDS pair for Serial Control (Sync) B
SCTRL_BP	M20	711.59			

表 4-1. Pin Functions (続き)

PIN		NET LENGTH (mils)	SIGNAL	TYPE ⁽¹⁾	DESCRIPTION
NAME	NO.				
MICROMIRROR BIAS RESET INPUTS					
MBRST(0)	C3	507.20			Nonlogic compatible Micromirror Bias Reset signals. Connected directly to the array of pixel micromirrors. Used to hold or release the micromirrors. Bond Pads connect to an internal pulldown resistor.
MBRST(1)	D2	576.83			
MBRST(2)	D3	545.78			
MBRST(3)	E2	636.33			
MBRST(4)	G3	618.42			
MBRST(5)	E1	738.25			
MBRST(6)	G2	718.82			
MBRST(7)	G1	777.04		I	
MBRST(8)	N3	543.29			
MBRST(9)	M2	612.93			
MBRST(10)	M3	580.97			
MBRST(11)	L2	672.43			
MBRST(12)	J3	653.61			
MBRST(13)	L1	764.00			
MBRST(14)	J2	764.37			
MBRST(15)	J1	813.14			
SCP CONTROL					
SCPCLK	A8			I	Serial Communications Port Clock. Bond Pad connects to an internal pulldown circuit.
SCPDI	A5			I	Serial Communications Port Data. Bond Pad connects to an internal pulldown circuit.
SCPENZ	B7			I	Active low serial communications port enable. Bond pad connects to an internal pulldown circuit.
SCPDO	A9			O	Serial communications port output
OTHER SIGNALS					
EVCC	A3			P	Do not connect on the DLP system board.
MODE_A	A4	415.1		I	Data Bandwidth Mode Select. Bond Pad connects to an internal pulldown circuit. Refer to Table 4 for DLP system board connection information.
PWRDNZ	B9	110.38		I	Active Low Device Reset. Bond Pad connects to an internal pulldown circuit.
POWER					
V _{CC} ⁽²⁾	B11, B12, B13, B16, R12, R13, R16, R17			P	Power supply for low voltage CMOS logic. Power supply for normal high voltage at micromirror address electrodes
V _{CCI} ⁽²⁾	A12, A14, A16, T12, T14, T16			P	Power supply for low voltage CMOS LVDS interface
V _{OFFSET} ⁽²⁾	C1, D1, M1, N1			P	Power supply for high voltage CMOS logic. Power supply for stepped high voltage at micromirror address electrodes

表 4-1. Pin Functions (続き)

PIN		NET LENGTH (mils)	SIGNAL	TYPE ⁽¹⁾	DESCRIPTION
NAME	NO.				
V _{SS} (Ground) ⁽³⁾	A6, A11, A13, A15, A17, B4, B5, B8, B14, B15, B17, C2, C18, C19, F1, F2, F19, H1, H2, H3, H18, J18, K1, K2, L19, N2, P18, P19, R4, R9, R14, R15, T7, T13, T15, T17			P	Common return for all power
RESERVED SIGNALS					
RESERVED_FC	R7	40.64		I	Connect to GND on the DLP system board. Bond Pad connects to an internal pulldown circuit.
RESERVED_FD	R8	94.37		I	Connect to GND on the DLP system board. Bond Pad connects to an internal pulldown circuit.
RESERVED_PFE	T8	50.74		I	Connect to ground on the DLP system board. Bond Pad connects to an internal pulldown circuit.
RESERVED_STM	B6			I	Connect to GND on the DLP system board. Bond Pad connects to an internal pulldown circuit.
RESERVED_TP0	R10	93.3		I	Do not connect on the DLP system board.
RESERVED_TP1	T11	263.74		I	Do not connect on the DLP system board.
RESERVED_TP2	R11	281.47		I	Do not connect on the DLP system board.
RESERVED_BA	T10	148.85		O	Do not connect on the DLP system board.
RESERVED_BB	A10	105.28		O	Do not connect on the DLP system board.
RESERVED_RA1	T9			O	Do not connect on the DLP system board.
RESERVED_RB1	A7			O	Do not connect on the DLP system board.
RESERVED_TS	B10	145.42		O	Do not connect on the DLP system board.
RESERVED_A(0)	T2			NC	Do not connect on the DLP system board.
RESERVED_A(1)	T3				
RESERVED_A(2)	R3				
RESERVED_A(3)	T4				
RESERVED_M(0)	R2			NC	Do not connect on the DLP system board.
RESERVED_M(1)	P1			NC	Do not connect on the DLP system board.
RESERVED_S(0)	T1			NC	Do not connect on the DLP system board.
RESERVED_S(1)	R1			NC	Do not connect on the DLP system board.
RESERVED_IRQZ	T6			NC	Do not connect on the DLP system board.
RESERVED_OEZ	R5			NC	Do not connect on the DLP system board.
RESERVED_RSTZ	R6			NC	Do not connect on the DLP system board.
RESERVED_STR	T5			NC	Do not connect on the DLP system board.

表 4-1. Pin Functions (続き)

PIN		NET LENGTH (mils)	SIGNAL	TYPE ⁽¹⁾	DESCRIPTION
NAME	NO.				
RESERVED_STR	T5			NC	Do not connect on the DLP system board.
RESERVED_VB	E3, F3, K3, L3			NC	Do not connect on the DLP system board.
RESERVED_VR	B2, B3, P2, P3			NC	Do not connect on the DLP system board.

- (1) I = Input, O = Output, G = Ground, A = Analog, P = Power, NC = No Connect.
- (2) Power supply pins required for all DMD operating modes are V_{SS} , V_{BIAS} , V_{CC} , V_{CCI} , V_{OFFSET} , and V_{RESET} .
- (3) V_{SS} must be connected for proper DMD operation.

5 Specifications

5.1 Absolute Maximum Ratings

Over operating free-air temperature range (unless otherwise noted).⁽¹⁾

		MIN	MAX	UNIT
SUPPLY VOLTAGES				
V_{CC}	Supply voltage for LVCMOS core logic ⁽²⁾	-0.5	4	V
V_{CCI}	Supply voltage for LVDS Interface ⁽²⁾	-0.5	4	V
V_{OFFSET}	Micromirror Electrode and HVCMOS voltage ^{(2) (3)}	-0.5	9	V
V_{MBRST}	Input voltage for MBRST(15:0) ⁽²⁾	-28	28	V
$ V_{CCI} - V_{CC} $	Supply voltage delta (absolute value) ⁽⁴⁾		0.3	V
INPUT VOLTAGES				
	Input voltage for all other input pins ⁽²⁾	-0.5	$V_{CC} + 0.3$	V
$ V_{ID} $	Input differential voltage (absolute value) ⁽⁵⁾		700	mV
CLOCKS				
f_{CLOCK}	Clock frequency for LVDS interface, DCLK_A		400	MHz
f_{CLOCK}	Clock frequency for LVDS interface, DCLK_B		400	MHz
ENVIRONMENTAL				
T_{ARRAY} and T_{WINDOW}	Temperature, operating ⁽⁶⁾	0	90	°C
	Temperature, non-operating ⁽⁶⁾	-40	90	°C
$ T_{DELTA} $	Absolute Temperature delta between any point on the window edge and the ceramic test point TP1 ⁽⁷⁾		30	°C
T_{DP}	Dew point temperature, operating and non-operating (noncondensing)		81	°C

- (1) Operation outside the Absolute Maximum Ratings may cause permanent device damage. Absolute Maximum Ratings do not imply functional operation of the device at these or any other conditions beyond those listed under Recommended Operating Conditions. If outside the Recommended Operating Conditions but within the Absolute Maximum Ratings, the device may not be fully functional, and this may affect device reliability, functionality, performance, and shorten the device lifetime.
- (2) All voltages are referenced to common ground V_{SS} . V_{CC} , V_{CCI} , V_{OFFSET} , and V_{SS} (GND) power supplies are all required for all DMD operating modes.
- (3) V_{OFFSET} supply transients must fall within specified voltages.
- (4) Exceeding the recommended allowable voltage difference between V_{CC} and V_{CCI} may result in excessive current draw.
- (5) This maximum input voltage rating applies when each input of a differential pair is at the same voltage potential. LVDS differential inputs must not exceed $|V_{ID}| = 700\text{mV}$ or damage may result to the internal termination resistors.
- (6) The highest temperature of the active array (as calculated using セクション 6.6) or of any point along the window edge as defined in 図 6-1. The locations of thermal test points TP2, TP3, TP4, and TP5 in 図 6-1 are intended to measure the highest window edge temperature. If a particular application causes another point on the window edge to be at a higher temperature, then that point needs to be used.
- (7) Temperature delta is the highest difference between the ceramic test point 1 (TP1) and anywhere on the window edge as shown in 図 6-1. The window test points TP2, TP3, TP4, and TP5 shown in 図 6-1 are intended to result in the worst-case delta. If a particular application causes another point on the window edge to result in a larger delta temperature, then that point needs to be used.

5.2 Storage Conditions

Applicable for the DMD as a component or non-operating in a system.

		MIN	MAX	UNIT
T _{DMD}	DMD storage temperature	-40	80	°C
T _{DP-AVG}	Average dew point temperature (non-condensing) ⁽¹⁾		28	°C
T _{DP-ELR}	Elevated dew point temperature range (non-condensing) ⁽²⁾	28	36	°C
CT _{ELR}	Cumulative time in elevated dew point temperature range		24	Months

- (1) The average over time (including storage and operating) that the device is not in the elevated dew point temperature range.
(2) Exposure to dew point temperatures in the elevated range during storage and operation should be limited to less than a total cumulative time of CT_{ELR}.

5.3 ESD Ratings

			VALUE	UNIT
V _(ESD)	Electrostatic discharge	Human-body model (HBM), per ANSI/ESDA/JEDEC JS-001 ⁽¹⁾	±2000	V
		All pins except MBRST(15:0) Pins MBRST(15:0)	< 250	

- (1) JEDEC document JEP155 states that 500V HBM allows safe manufacturing with a standard ESD control process.

5.4 Recommended Operating Conditions

Over operating free-air temperature range (unless otherwise noted). The functional performance of the device specified in this data sheet is achieved when operating the device within the limits defined by this table. No level of performance is implied when operating the device above or below these limits.

		MIN	NOM	MAX	UNIT
VOLTAGE SUPPLY					
V _{CC}	Supply voltage for LVCMOS core logic ⁽¹⁾	3.0	3.3	3.6	V
V _{CCI}	Supply voltage for LVDS interface ⁽¹⁾	3.0	3.3	3.6	V
V _{OFFSET}	Micromirror electrode and HVCMOS voltage ^{(1) (2)}	8.25	8.5	8.75	V
V _{MBRST}	Micromirror bias / reset voltage ⁽¹⁾	-27		26.5	V
V _{CC} - V _{CCI}	Supply voltage delta (absolute value) ⁽³⁾		0	0.3	V
LVCMOS INTERFACE					
V _{IH}	Input high voltage	1.7	2.5	V _{CC} + 0.3	V
V _{IL}	Input low voltage	-0.3		0.7	V
I _{OH}	High level output current			-20	mA
I _{OL}	Low level output current			15	mA
t _{PWRDNZ}	PWRDNZ pulse width ⁽⁴⁾	10			ns
SCP INTERFACE					
f _{SCPCLK}	SCP clock frequency ⁽⁵⁾	50		500	kHz
t _{SCP_PD}	Propagation delay, clock to Q, from rising-edge of SCPCLK to valid SCPDO ⁽⁶⁾	0		900	ns
t _{SCP_DS}	SCPDI clock setup time (before SCPCLK falling-edge) ⁽⁶⁾	800			ns
t _{SCP_DH}	SCPDI hold time (after SCPCLK falling-edge) ⁽⁶⁾	900			ns
t _{SCP_NEG_ENZ}	Time between falling-edge of SCPENZ and the rising-edge of SCPCLK. ⁽⁵⁾	1			us
SCP_POS_ENZ	Time between falling-edge of SCPCLK and the rising-edge of SCPENZ	1			us
t _{SCP_OUT_EN}	Time required for SCP output buffer to recover after SCPENZ (from tristate)			192/f _{DCLK}	s
t _{SCP_PW_ENZ}	SCPENZ inactive pulse width (high level)	1			1/f _{scpclock}
t _{r_SCP}	Rise time for SCP signals			200	ns
t _{f_SCP}	Fall time for SCP signals			200	ns

5.4 Recommended Operating Conditions (続き)

Over operating free-air temperature range (unless otherwise noted). The functional performance of the device specified in this data sheet is achieved when operating the device within the limits defined by this table. No level of performance is implied when operating the device above or below these limits.

		MIN	NOM	MAX	UNIT
LVDS INTERFACE					
f_{CLOCK}	Clock frequency for LVDS interface (all channels), DCLK ⁽⁷⁾		320	330	MHz
$ V_{\text{ID}} $	Input differential voltage (absolute value) ⁽⁸⁾	100	400	600	mV
V_{CM}	Common mode voltage ⁽⁸⁾		1200		mV
V_{LVDS}	LVDS voltage ⁽⁸⁾	0		2000	mV
$t_{\text{LVDS_RSTZ}}$	Time required for LVDS receivers to recover from PWRDNZ			10	ns
Z_{IN}	Internal differential termination resistance	95		105	Ω
Z_{LINE}	Line differential impedance (PWB/trace)	85	90	95	Ω
ENVIRONMENTAL					
T_{ARRAY}	Array temperature, long-term operational ^{(9) (10) (11)}	10		40 to 70 ⁽¹²⁾	$^{\circ}\text{C}$
	Array temperature, short-term operational, 500 hr max ^{(10) (13)}	0		10	$^{\circ}\text{C}$
T_{WINDOW}	Window temperature (all part numbers except *1280-6434B) ⁽¹⁴⁾	10		90	$^{\circ}\text{C}$
	Window temperature (part number 1280-6434B) ⁽¹⁴⁾	10		85	
T_{DELTA}	Absolute temperature delta between any point on the window edge and the ceramic test point TP1 ⁽¹⁵⁾			26	$^{\circ}\text{C}$
$T_{\text{DP-AVG}}$	Average dew point average temperature (non-condensing) ⁽¹⁶⁾			28	$^{\circ}\text{C}$
$T_{\text{DP-ELR}}$	Elevated dew point temperature range (non-condensing) ⁽¹⁷⁾	28		36	$^{\circ}\text{C}$
CT_{ELR}	Cumulative time in elevated dew point temperature range			24	Months
SOLID STATE ILLUMINATION					
ILL_{UV}	Illumination power at wavelengths < 410nm ^{(9) (19)}			10	mW/cm ²
ILL_{VIS}	Illumination power at wavelengths \geq 410nm and \leq 800nm ^{(18) (19)}			23.7	W/cm ²
ILL_{IR}	Illumination power at wavelengths > 800nm ⁽¹⁹⁾			10	mW/cm ²
ILL_{BLU}	Illumination power at wavelengths \geq 410nm and \leq 475nm ^{(18) (19)}			7.5	W/cm ²
ILL_{BLU1}	Illumination power at wavelengths \geq 410nm and \leq 440nm ^{(18) (19)}			1.3	W/cm ²
LAMP ILLUMINATION					
ILL_{UV}	Illumination power at wavelengths < 395nm ^{(9) (19)}			2.0	mW/cm ²
ILL_{VIS}	Illumination power at wavelengths \geq 395nm and \leq 800nm ^{(18) (19)}			23.7	W/cm ²
ILL_{IR}	Illumination power at wavelengths > 800nm ⁽¹⁹⁾			10	mW/cm ²

- All voltages are referenced to common ground V_{SS} . V_{BIAS} , V_{CC} , V_{OFFSET} , and V_{RESET} power supplies are all required for proper DMD operation. V_{SS} must also be connected.
- V_{OFFSET} supply transients must fall within specified max voltages.
- To prevent excess current, the supply voltage delta $|V_{\text{CCI}} - V_{\text{CC}}|$ must be less than specified limit. See [セクション 8](#).
- PWRDNZ input pin resets the SCP and disables the LVDS receivers. PWRDNZ input pin overrides SCPENZ input pin and tristates the SCPDO output pin.
- The SCP clock is a gated clock. Duty cycle shall be 50% \pm 10%. SCP parameter is related to the frequency of DCLK.
- See [図 5-2](#).
- See LVDS Timing Requirements in [セクション 5.8](#) and [図 5-6](#).
- Refer to [図 5-5](#).
- Simultaneous exposure of the DMD to the maximum [セクション 5.4](#) for temperature and UV illumination reduces device lifetime.
- The array temperature cannot be measured directly and must be computed analytically from the temperature measured at test point 1 (TP1) shown in [図 6-1](#) and the package [セクション 5.5](#) using the calculation in [セクション 6.6](#).
- Long-term is defined as the usable life of the device.
- Per [図 5-1](#), the maximum operational array temperature should be derated based on the micromirror landed duty cycle that the DMD experiences in the end application. See [セクション 6.8](#) for a definition of micromirror landed duty cycle.
- Short-term is defined as cumulative time over the usable life of the device.

- (14) The locations of thermal test points TP2, TP3, TP4, and TP5 in [図 6-1](#) are intended to measure the highest window edge temperature. For most applications, the locations shown are representative of the highest window edge temperature. If a particular application causes additional points on the window edge to be at a higher temperature, test points should be added to those locations.
- (15) Temperature delta is the highest difference between the ceramic test point 1 (TP1) and anywhere on the window edge as shown in [図 6-1](#). The window test points TP2, TP3, TP4, and TP5 shown in [図 6-1](#) are intended to result in the worst-case delta temperature. If a particular application causes another point on the window edge to result in a larger delta in temperature, that point should be used.
- (16) The average over time (including storage and operating) that the device is not in the "elevated dew point temperature range."
- (17) Exposure to dew point temperatures in the elevated range during storage and operation should be limited to less than a total cumulative time of CT_{ELR} .
- (18) The maximum allowable optical power incident on the DMD is limited by the maximum optical power density for each wavelength range specified and the micromirror array temperature (T_{ARRAY}).
- (19) To calculate see [セクション 6.7](#).

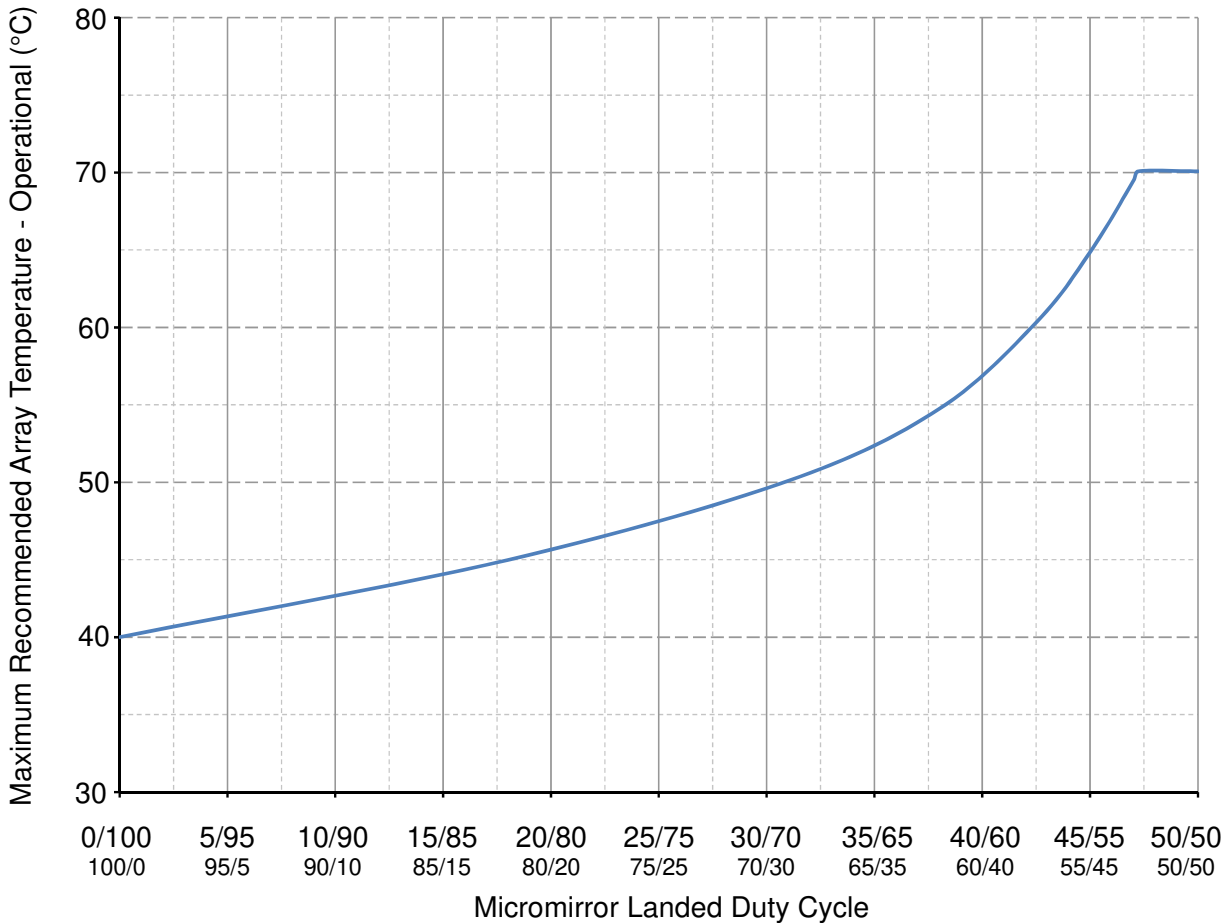


図 5-1. Maximum Recommended Array Temperature—Derating Curve

5.5 Thermal Information

THERMAL METRIC	DLP650LE	UNIT
	FYL Package	
	149 PINS	
Thermal resistance, active area to test point 1 (TP1) ⁽¹⁾	0.50	°C/W

- (1) The DMD is designed to conduct absorbed and dissipated heat to the back of the package. The cooling system must be capable of maintaining the package within the temperature range specified in the [セクション 5.4](#). The total heat load on the DMD is largely driven by the incident light absorbed by the active area, although other contributions include light energy absorbed by the window aperture and electrical power dissipation of the array. Optical systems should be designed to minimize the light energy falling outside the window clear aperture since any additional thermal load in this area can significantly degrade the reliability of the device.

5.6 Electrical Characteristics

Over operating free-air temperature range (unless otherwise noted).

PARAMETER		TEST CONDITIONS	MIN	TYP	MAX	UNIT
V _{OH}	High-level output voltage	V _{CC} = 3V, I _{OH} = -20mA	2.4			V
V _{OL}	Low-level output voltage	V _{CC} = 3.6V, I _{OL} = 15mA			0.4	V
I _{OZ}	High-impedance output current	V _{CC} = 3.6V			10	μA
I _{IL}	Low-level input current	V _{CC} = 3.6V, V _I = 0			-60	μA
I _{IH}	High-level input current ⁽¹⁾	V _{CC} = 3.6V, V _I = V _{CC}			200	μA
I _{CC}	Supply current VCC ⁽²⁾	V _{CC} = 3.6V			479	mA
I _{CCI}	Supply current VCCI ⁽²⁾	V _{CCI} = 3.6V			309	mA
I _{OFFSET}	Supply current VOFFSET ⁽³⁾	V _{OFFSET} = 8.75V			25	mA
Supply input power total		f = 1MHz			3060	mW

- (1) Applies to LVCMOS pins only. Excludes LVDS pins and test pad pins.
(2) To prevent excess current, the supply voltage delta |V_{CCI} - V_{CC}| must be less than the specified limit in [セクション 5.4](#).
(3) To prevent excess current, the supply voltage delta |V_{BIAS} - V_{OFFSET}| must be less than the specified limit in [セクション 5.4](#).

5.7 Capacitance at Recommended Operating Conditions

over operating free-air temperature range, f = 1MHz (unless otherwise noted)

PARAMETER		TEST CONDITIONS	MIN	MAX	UNIT
C _I	Input capacitance			10	pF
C _O	Output capacitance			10	pF
C _{IM}	MBRST(15:0) input capacitance	1280 × 800 array all inputs interconnected	230	290	pF

5.8 Timing Requirements

Over セクション 5.4 (unless otherwise noted).

PARAMETER DESCRIPTION		SIGNAL	MIN	TYP	MAX	UNIT
LVDS (1)						
t_c	Clock cycle duration for DCLK_A	LVDS	3.03			ns
t_c	Clock cycle duration for DCLK_B	LVDS	3.03			ns
t_w	Pulse duration for DCLK_A	LVDS	1.36	1.52		ns
t_w	Pulse duration for DCLK_B	LVDS	1.36	1.52		ns
t_{su}	Setup time for D_A(15:0) before DCLK_A	LVDS	0.35			ns
t_{su}	Setup time for D_A(15:0) before DCLK_B	LVDS	0.35			ns
t_{su}	Setup time for SCTRL_A before DCLK_A	LVDS	0.35			ns
t_{su}	Setup time for SCTRL_B before DCLK_B	LVDS	0.35			ns
t_h	Hold time for D_A(15:0) after DCLK_A	LVDS	0.35			ns
t_h	Hold time for D_B(15:0) after DCLK_B	LVDS	0.35			ns
t_h	Setup time for SCTRL_A after DCLK_A	LVDS	0.35			ns
t_h	Setup time for SCTRL_B after DCLK_B	LVDS	0.35			ns
t_{skew}	Channel B relative to Channel A(2) (3)	LVDS	-1.51		1.51	ns

(1) See 図 5-6 for timing requirements for LVDS.

(2) Channel A (Bus A) includes the following LVDS pairs: DCLK_AN and DCLK_AP, SCTRL_AN and SCTRL_AP, D_AN(15:0) and D_AP(15:0).

(3) Channel B (Bus B) includes the following LVDS pairs: DCLK_BN and DCLK_BP, SCTRL_BN and SCTRL_BP, D_BN(15:0) and D_BP(15:0).

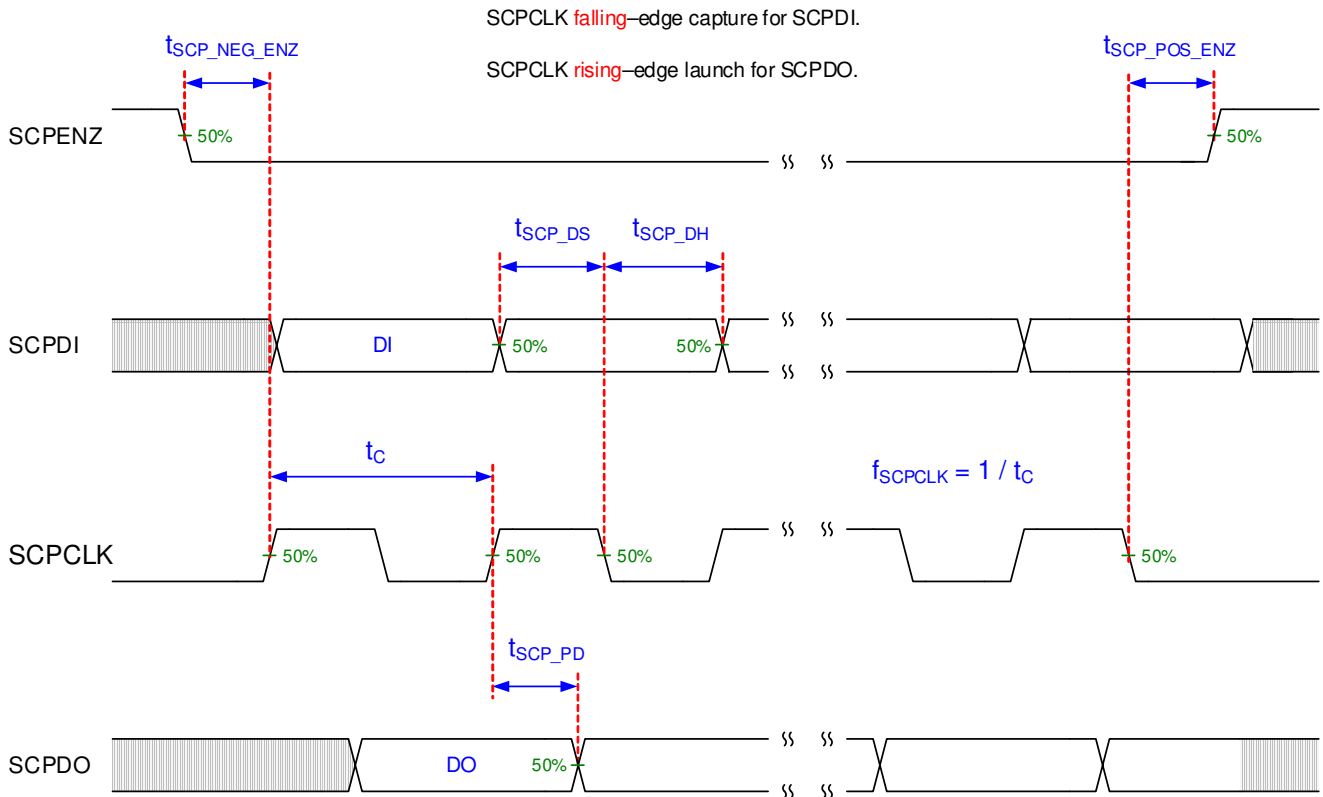
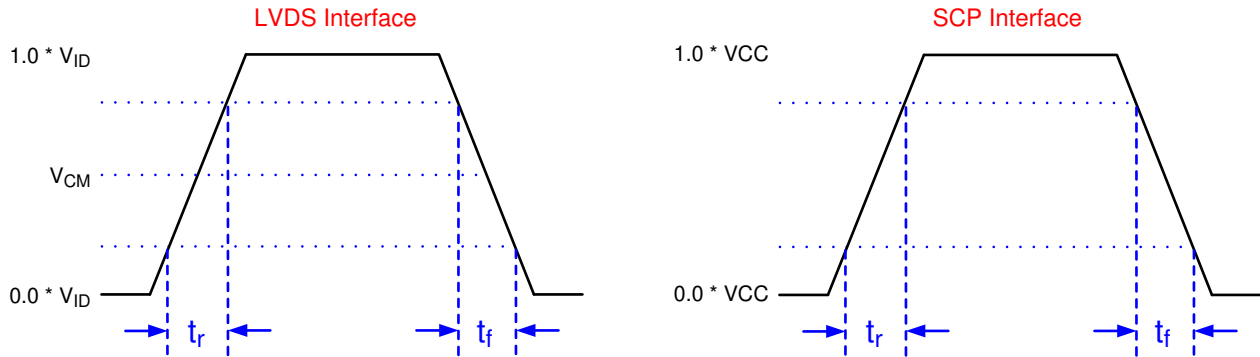


図 5-2. SCP Timing Requirements

See セクション 5.4 for f_{SCPCLK} , t_{SCP_DS} , t_{SCP_DH} , and t_{SCP_PD} specifications.

See [セクション 5.4](#) for t_r and t_f specifications and conditions.



Not to scale.

Refer to the [セクション 5.8](#).

Refer to [セクション 4](#) for list of LVDS pins and SCP pins.

図 5-3. Rise Time and Fall Time

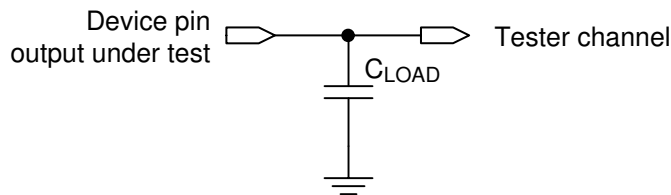


図 5-4. Test Load Circuit for Output Propagation Measurement

For output timing analysis, the tester pin electronics and its transmission line effects must be taken into account. System designers should use IBIS or other simulation tools to correlate the timing reference load to a system environment. See [図 5-4](#).

Not to Scale

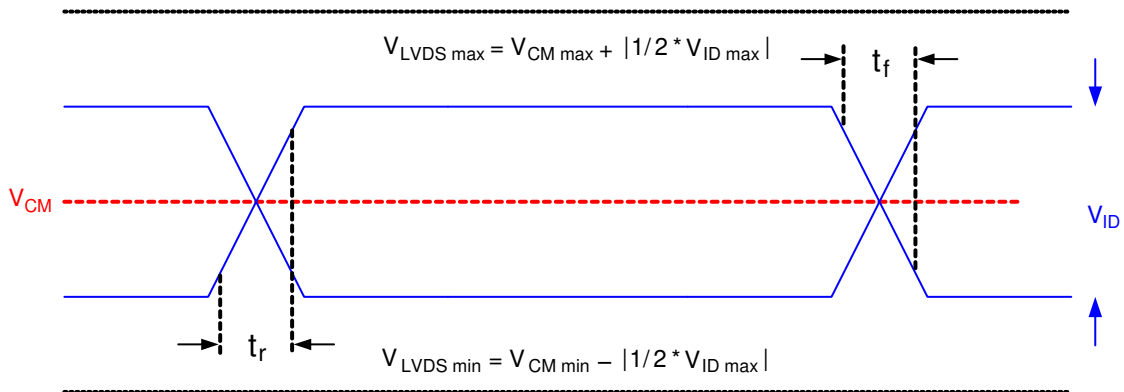


図 5-5. LVDS Waveform Requirements

See [セクション 5.4](#) for V_{CM} , V_{ID} , and V_{LVDS} specifications and conditions.

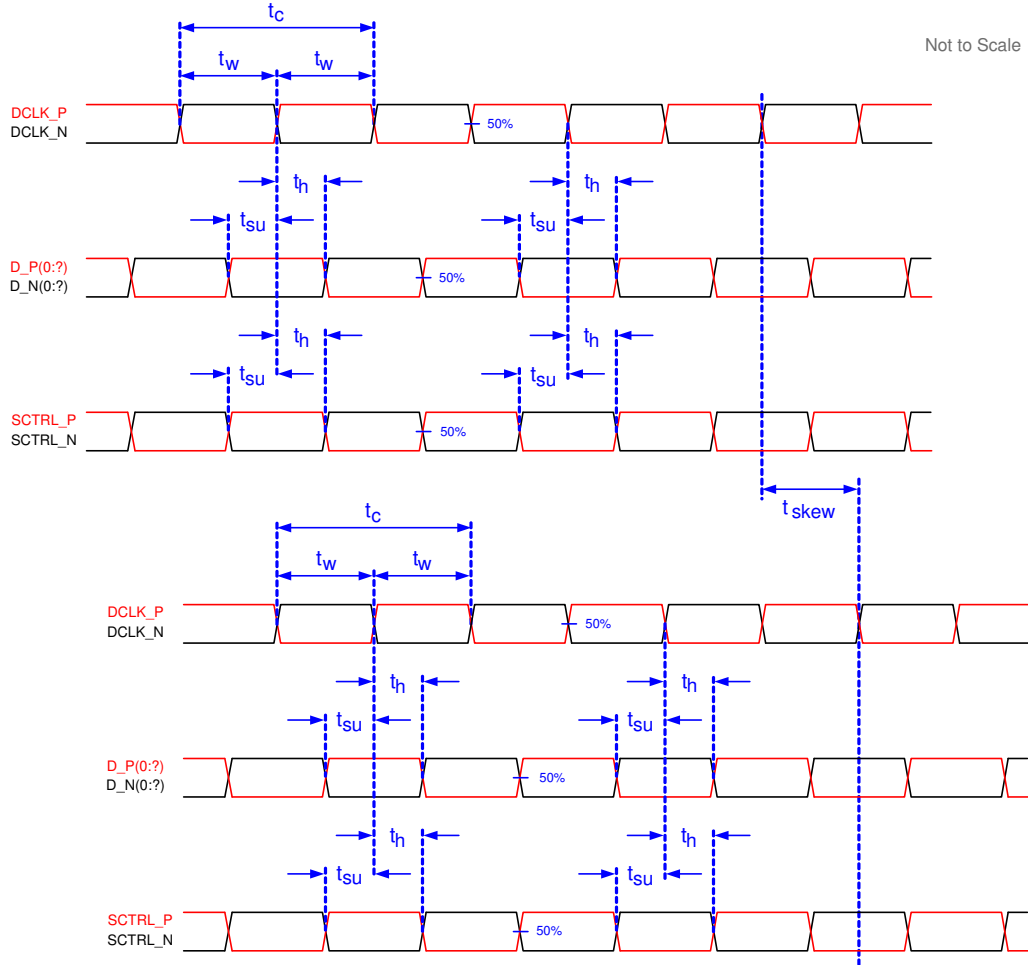


図 5-6. Timing Requirements

See [セクション 5.8](#) for timing requirements and LVDS pairs per channel (bus) defining D_P(0:x) and D_N(0:x).

5.9 Window Characteristics

表 5-1. DMD Window Characteristics

PARAMETER	MIN	NOM
Window material		Corning Eagle XG
Window Refractive Index at 546.1 nm		1.5119
Window Transmittance, minimum within the wavelength range 420–680 nm. Applies to all angles 0°–30° AOI. ^{(1) (2)}	97%	
Window Transmittance, average over the wavelength range 420–680 nm. Applies to all angles 30°–45° AOI. ^{(1) (2)}	97%	

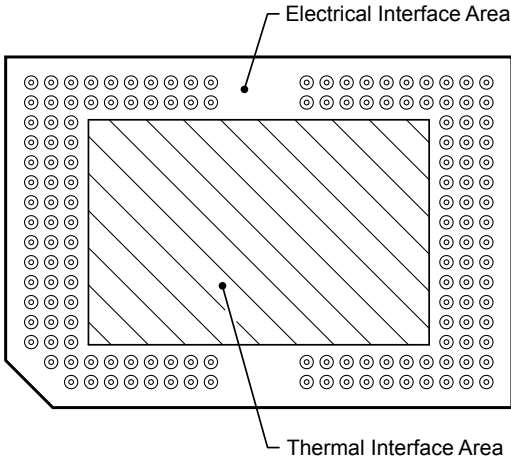
(1) Single-pass through both surfaces and glass

(2) AOI—Angle of incidence is the angle between an incident ray and the normal to a reflecting or refracting surface.

5.10 System Mounting Interface Loads

表 5-2. System Mounting Interface Loads

PARAMETER	MIN	NOM	MAX	UNIT
Condition 1:				
Thermal Interface area ⁽¹⁾			11.3	kg
Electrical Interface area ⁽¹⁾			11.3	kg
Condition 2:				
Thermal Interface area ⁽¹⁾			0	kg
Electrical Interface area ⁽¹⁾			22.6	kg

(1) Uniformly distributed within area shown in 

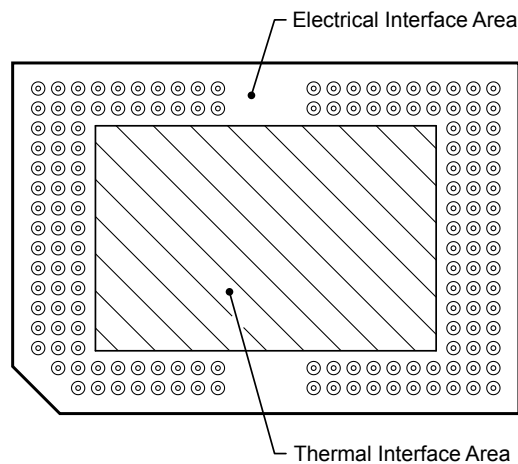


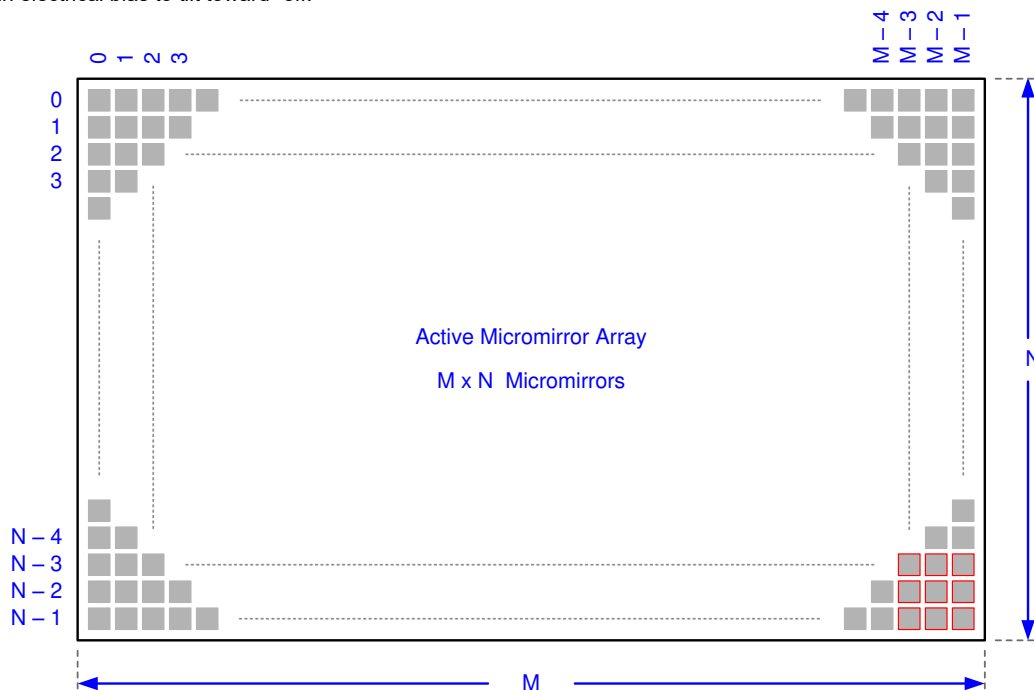
図 5-7. System Mounting Interface Loads

5.11 Micromirror Array Physical Characteristics

表 5-3. Micromirror Array Physical Characteristics

PARAMETER DESCRIPTION	VALUE	UNIT	
Number of active columns ⁽¹⁾	M	micromirrors	
Number of active rows ⁽¹⁾	N		
Micromirror (pixel) pitch ⁽¹⁾	P	μm	
Micromirror active array width ⁽¹⁾	Micromirror pitch × number of active columns	13.824	mm
Micromirror active array height ⁽¹⁾	Micromirror pitch × number of active rows	8.640	mm
Micromirror active border size ⁽²⁾	Pond of Micromirror (POM)	10	micromirrors / side

- (1) See 図 5-8.
 (2) The structure and qualities of the border around the active array includes a band of partially functional micromirrors called the *Pond Of Mirrors* (POM). These micromirrors are structurally and/or electrically prevented from tilting toward the bright or “on” state but still require an electrical bias to tilt toward “off.”



Pond Of Mirrors (POM) omitted for clarity.

Details omitted for clarity. Not to scale.

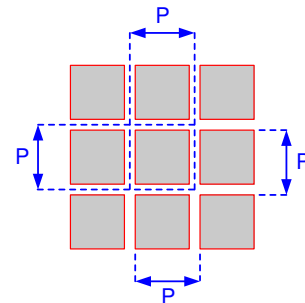


図 5-8. Micromirror Array Physical Characteristics

Refer to セクション 5.11 table for M, N, and P specifications.

5.12 Micromirror Array Optical Characteristics

PARAMETER		TEST CONDITION	MIN	NOM	MAX	UNIT
Micromirror tilt angle, variation device to device ⁽²⁾ ⁽³⁾ ⁽⁴⁾ ⁽⁵⁾		Landed State ⁽¹⁾	11	12	13	degrees
Image performance ⁽⁶⁾	Bright pixel(s) in active area ⁽⁷⁾	Gray 10 screen ⁽¹⁰⁾			0	micromirrors
	Bright pixel(s) in the POM ⁽⁷⁾ ⁽⁹⁾	Gray 10 screen ⁽¹⁰⁾			1	
	Dark pixel(s) in the active area ⁽⁸⁾	White screen ⁽¹¹⁾			6	
	Adjacent pixel(s) ⁽¹²⁾	Any screen			0	
	Unstable pixel(s) in active area ⁽¹³⁾	Any screen			0	

- (1) Measured relative to the plane formed by the overall micromirror array.
- (2) Additional variation exists between the micromirror array and the package datums.
- (3) This represents the variation that can occur between any two individual micromirrors, located on the same device or located on different devices.
- (4) For some applications it is critical to account for the micromirror tilt angle variation in the overall system optical design. With some system optical designs the micromirror tilt angle variations within a device may result in perceivable non-uniformities in the light field reflected from the micromirror array. With some system optical designs the micromirror tilt angle variation between devices may result in colorimetry variations, system efficiency variations, or system contrast variations.
- (5) See figure [5-9](#).
- (6) Conditions of acceptance. All DMD image performance returns are evaluated using the following projected image test conditions:
- Test set degamma shall be linear.
 - Test set brightness and contrast shall be set to nominal.
 - The diagonal size of the projected image shall be a minimum of 60 inches.
 - The projections screen shall be a 1× gain.
 - The projected image shall be inspected from an 8 foot minimum viewing distance.
 - The image shall be in focus during all image performance tests.
- (7) Bright pixel definition: a single pixel or mirror that is stuck in the ON position and is visibly brighter than the surrounding pixels.
- (8) Dark pixel definition: a single pixel or mirror that is stuck in the OFF position and is visibly darker than the surrounding pixels.
- (9) POM definition: The rectangular border of off-state mirrors surrounding the active area.
- (10) Gray 10 screen definition: A full screen with RGB values set to R=10/255, G=10/255, B=10/255.
- (11) White screen definition: A full screen with RGB values set to R=255/255, G=255/255, B=255/255.
- (12) Adjacent pixel definition: Two or more stuck pixels sharing a common border or common point. Also referred to as a cluster.
- (13) Unstable pixel definition: A single pixel or mirror that does not operate in sequence with parameters loaded into memory. The unstable pixel appears to be flickering asynchronously with the image.

Illumination

Pond Of Micromirrors (POM) omitted for clarity.

Details omitted for clarity. Not to scale.

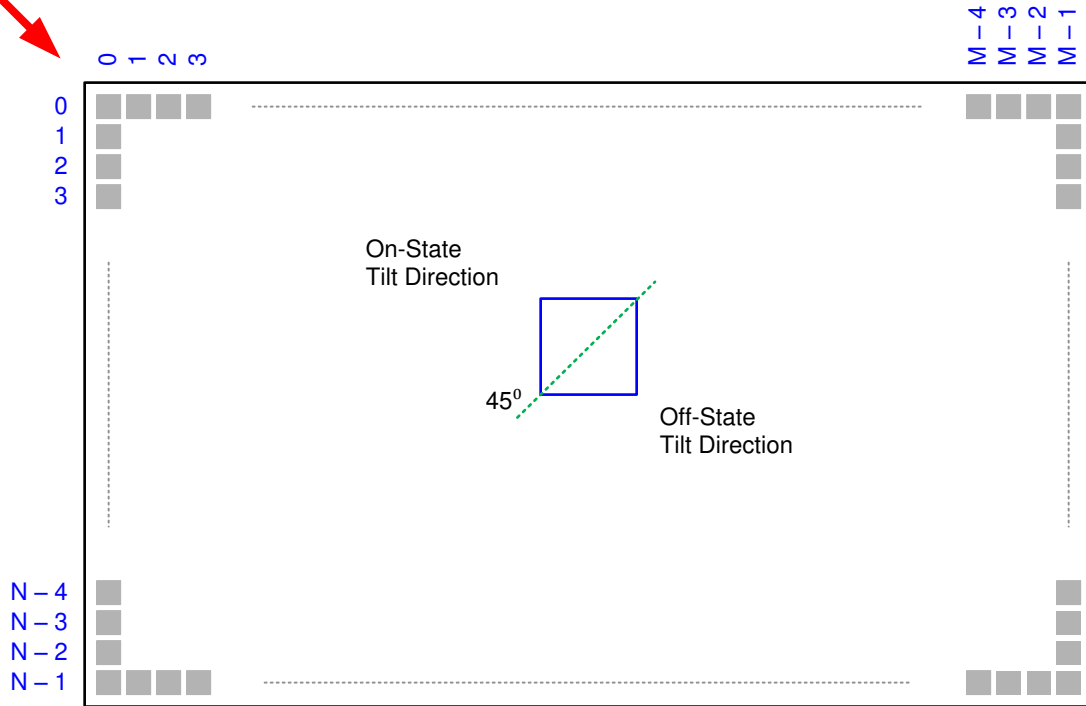


図 5-9. Micromirror Landed Orientation and Tilt

Refer to セクション 5.11 table for M, N, and P specifications.

5.13 Chipset Component Usage Specification

Reliable function and operation of the DLP650LE DMD requires that it be used in conjunction with the other components of the applicable DLP chipset, including those components that contain or implement TI DMD control technology. TI DMD control technology consists of the TI technology and devices used for operating or controlling a DLP DMD.

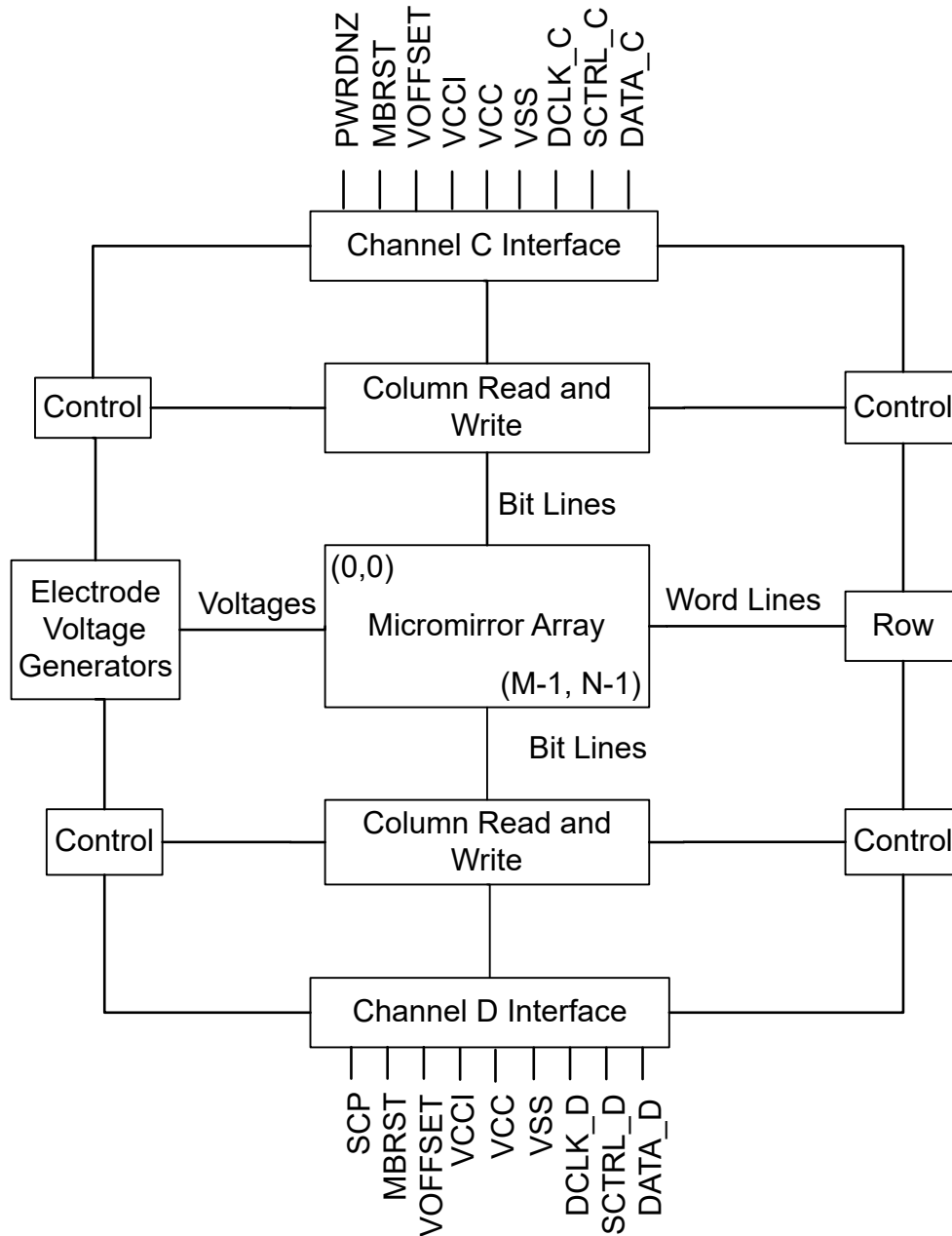
6 Detailed Description

6.1 Overview

The DMD is a 0.65 inch diagonal spatial light modulator which consists of an array of highly reflective aluminum micromirrors. The DMD is an electrical input, optical output micro-electrical-mechanical system (MEMS). The electrical interface is Low Voltage Differential Signaling (LVDS). The DMD consists of a two-dimensional array of 1-bit CMOS memory cells. The array is organized in a grid of M memory cell columns by N memory cell rows. Refer to [セクション 6.2](#). The positive or negative deflection angle of the micromirrors can be individually controlled by changing the address voltage of underlying CMOS addressing circuitry and micromirror reset signals (MBRST).

The DLP650LE DMD is part of the chipset comprising of the DLP650LE DMD, the DLPC4420 display controller, the DLPA100 power and motor driver and the DLPA200 micromirror driver. To ensure reliable operation, the DLP650LE DMD must always be used with the DLPC4420 display controller, the DLPA100 power and motor driver and the DLPA200 micromirror driver.

6.2 Functional Block Diagram



For pin details on Channels A, B refer to [セクション 4](#) and LVDS Interface section of [セクション 5.8](#).

6.3 Feature Description

6.3.1 Power Interface

The DMD requires three DC voltages: DMD_P3P3V, V_{OFFSET} , and MBRST. DMD_P3P3V is created by the DLPA100 power and motor driver and the DLPA200 DMD micromirror driver. Both the DLPA100 and DLPA200 create the main DMD voltages, as well as powering various peripherals (TMP411, I²C, and TI level translators). DMD_P3P3V provides the VCC voltage required by the DMD. V_{OFFSET} (8.5V) and MBRST are made by the DLPA200 and are supplied to the DMD to control the micromirrors.

6.3.2 Timing

The data sheet provides timing at the device pin. For output timing analysis, the tester pin electronics and its transmission line effects must be taken into account. [Figure 5-4](#) shows an equivalent test load circuit for the output under test. Timing reference loads are not intended as a precise representation of any particular system environment or depiction of the actual load presented by a production test. System designers should use IBIS or other simulation tools to correlate the timing reference load to a system environment. The load capacitance value stated is only for characterization and measurement of AC timing signals. This load capacitance value does not indicate the maximum load the device is capable of driving.

6.4 Device Functional Modes

DMD functional modes are controlled by the DLPC4420 display controller. See the [DLPC4420 Display Controller Data Sheet](#) or contact a TI applications engineer.

6.5 Optical Interface and System Image Quality Considerations

TI assumes no responsibility for end-equipment optical performance. Achieving the desired end-equipment optical performance involves making trade-offs between numerous component and system design parameters. System optical performance and image quality strongly relate to optical system design parameter trade-offs. Although it is not possible to anticipate every conceivable application, projector image quality and optical performance is contingent on compliance with the optical system operating conditions described in the following sections.

6.5.1 Numerical Aperture and Stray Light Control

The angle defined by the numerical aperture of the illumination and projection optics at the DMD optical area should be the same. This angle should not exceed the nominal device micromirror tilt angle unless appropriate apertures are added in the illumination and/or projection pupils to block out flat-state and stray light from the projection lens. The micromirror tilt angle defines DMD capability to separate the "ON" optical path from any other light path, including undesirable flat-state specular reflections from the DMD window, DMD border structures, or other system surfaces near the DMD such as prism or lens surfaces. If the numerical aperture exceeds the micromirror tilt angle, or if the projection numerical aperture angle is more than two degrees larger than the illumination numerical aperture angle (and vice versa), contrast degradation, and objectionable artifacts in the display's border and/or active area could occur.

6.5.2 Pupil Match

TI's optical and image quality specifications assume that the exit pupil of the illumination optics is nominally centered within 2° of the entrance pupil of the projection optics. Misalignment of pupils can create objectionable artifacts in the display's border and/or active area, which may require additional system apertures to control, especially if the numerical aperture of the system exceeds the pixel tilt angle.

6.5.3 Illumination Overfill

The active area of the device is surrounded by an aperture on the inside DMD window surface that masks structures of the DMD chip assembly from normal view, and is sized to anticipate several optical operating conditions. Overfill light illuminating the window aperture can create artifacts from the edge of the window aperture opening and other surface anomalies that may be visible on the screen. The illumination optical system should be designed to limit light flux incident anywhere on the window aperture from exceeding approximately

10% of the average flux level in the active area. Depending on the particular system’s optical architecture, overflow light may have to be further reduced below the suggested 10% level in order to be acceptable.

6.6 Micromirror Array Temperature Calculation

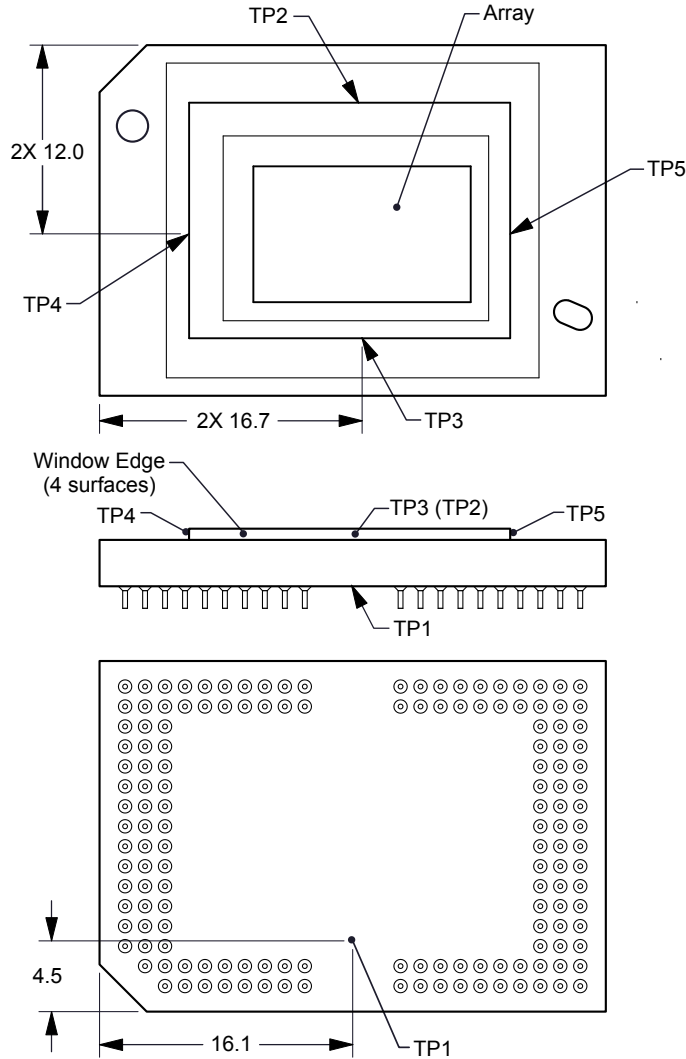


図 6-1. DMD Thermal Test Points

Micromirror array temperature cannot be measured directly, therefore it must be computed analytically from measurement points on the outside of the package, the package thermal resistance, the electrical power, and the illumination heat load. The following equations show the relationship between array temperature and the reference ceramic temperature, thermal test TP1 図 6-1 shown above:

$$T_{\text{ARRAY}} = T_{\text{CERAMIC}} + (Q_{\text{ARRAY}} \times R_{\text{ARRAY-TO-CERAMIC}})$$

$$Q_{\text{ARRAY}} = Q_{\text{ELECTRICAL}} + Q_{\text{ILLUMINATION}}$$

where

- T_{ARRAY} = Computed array temperature (°C)
- T_{CERAMIC} = Measured ceramic temperature (°C), TP1 図 6-1

- $R_{\text{ARRAY-TO-CERAMIC}}$ = Thermal resistance of package specified in [セクション 5.5](#) from array to ceramic TP1 [図 6-1](#) ($^{\circ}\text{C}/\text{W}$).
- Q_{ARRAY} = Total DMD Power (electrical + absorbed) on the array (W)
- $Q_{\text{ELECTRICAL}}$ = Nominal electrical power (W)
- Q_{INCIDENT} = Incident illumination optical power (W)
- $Q_{\text{ILLUMINATION}}$ = (DMD average thermal absorptivity \times Q_{INCIDENT}) (W)
- DMD average thermal absorptivity = 0.45

The electrical power dissipation of the DMD is variable and depends on the voltages, data rates, and operating frequencies. A nominal electrical power dissipation to use when calculating array temperature is 1.5W. The absorbed optical power from the illumination source is variable and depends on the operating state of the micromirrors and the intensity of the light source. The equations shown above are valid for a single chip or multichip DMD system. It assumes an illumination distribution of 83.7% on the active array and 16.3% on the array border.

The sample calculation for a typical projection application is as follows:

$$Q_{\text{INCIDENT}} = 33\text{W (measured)}$$

$$T_{\text{CERAMIC}} = 55^{\circ} \text{ (measured)}$$

$$Q_{\text{ELECTRICAL}} = 1.5\text{W}$$

$$Q_{\text{ARRAY}} = 1.5\text{W} + (0.45 \times 33\text{W}) = 16.35\text{W}$$

$$T_{\text{ARRAY}} = 55^{\circ}\text{C} + (16.35\text{W} \times 0.50^{\circ}\text{C}/\text{W}) = 63.2^{\circ}\text{C}$$

6.7 Micromirror Power Density Calculation

The calculation of the optical power density of the illumination on the DMD in the different wavelength bands uses the total measured optical power on the DMD, percent illumination overfill, area of the active array, and ratio of the spectrum in the wavelength band of interest to the total spectral optical power.

- $ILL_{\text{UV}} = [OP_{\text{UV-RATIO}} \times Q_{\text{INCIDENT}}] \times 1000\text{mW}/\text{W} \div A_{\text{ILL}}$ (mW/cm^2)
- $ILL_{\text{VIS}} = [OP_{\text{VIS-RATIO}} \times Q_{\text{INCIDENT}}] \div A_{\text{ILL}}$ (W/cm^2)
- $ILL_{\text{IR}} = [OP_{\text{IR-RATIO}} \times Q_{\text{INCIDENT}}] \times 1000\text{mW}/\text{W} \div A_{\text{ILL}}$ (mW/cm^2)
- $ILL_{\text{BLU}} = [OP_{\text{BLU-RATIO}} \times Q_{\text{INCIDENT}}] \div A_{\text{ILL}}$ (W/cm^2)
- $ILL_{\text{BLU1}} = [OP_{\text{BLU1-RATIO}} \times Q_{\text{INCIDENT}}] \div A_{\text{ILL}}$ (W/cm^2)
- $A_{\text{ILL}} = A_{\text{ARRAY}} \div (1 - OV_{\text{ILL}})$ (cm^2)

where:

- ILL_{UV} = UV illumination power density on the DMD (mW/cm^2)
- ILL_{VIS} = VIS illumination power density on the DMD (W/cm^2)
- ILL_{IR} = IR illumination power density on the DMD (mW/cm^2)
- ILL_{BLU} = BLU illumination power density on the DMD (W/cm^2)
- ILL_{BLU1} = BLU1 illumination power density on the DMD (W/cm^2)
- A_{ILL} = illumination area on the DMD (cm^2)
- Q_{INCIDENT} = total incident optical power on DMD (W) (measured)
- A_{ARRAY} = area of the array (cm^2) (data sheet)

- OV_{ILL} = percent of total illumination on the DMD outside the array (%) (optical model)
- $OP_{UV-RATIO}$ = ratio of the optical power for wavelengths <410nm to the total optical power in the illumination spectrum (spectral measurement)
- $OP_{VIS-RATIO}$ = ratio of the optical power for wavelengths ≥ 410 and ≤ 800 nm to the total optical power in the illumination spectrum (spectral measurement)
- $OP_{IR-RATIO}$ = ratio of the optical power for wavelengths >800nm to the total optical power in the illumination spectrum (spectral measurement)
- $OP_{BLU-RATIO}$ = ratio of the optical power for wavelengths ≥ 410 and ≤ 475 nm to the total optical power in the illumination spectrum (spectral measurement)
- $OP_{BLU1-RATIO}$ = ratio of the optical power for wavelengths ≥ 410 and ≤ 440 nm to the total optical power in the illumination spectrum (spectral measurement)

The illumination area varies and depends on the illumination overfill. The total illumination area on the DMD is the array area and overfill area around the array. The optical model is used to determine the percent of the total illumination on the DMD that is outside the array (OV_{ILL}) and the percent of the total illumination that is on the active array. From these values the illumination area (A_{ILL}) is calculated. The illumination is assumed to be uniform across the entire array.

From the measured illumination spectrum, the ratio of the optical power in the wavelength bands of interest to the total optical power is calculated.

Sample calculation:

$$Q_{INCIDENT} = 33W \text{ (measured)}$$

$$A_{ARRAY} = (13.8240mm \times 8.6400mm) \div 100mm^2/cm^2 = 1.1944cm^2 \text{ (data sheet)}$$

$$OV_{ILL} = 16.3\% \text{ (optical model)}$$

$$OP_{UV-RATIO} = 0.00017 \text{ (spectral measurement)}$$

$$OP_{VIS-RATIO} = 0.99977 \text{ (spectral measurement)}$$

$$OP_{IR-RATIO} = 0.00006 \text{ (spectral measurement)}$$

$$OP_{BLU-RATIO} = 0.28100 \text{ (spectral measurement)}$$

$$OP_{BLU1-RATIO} = 0.03200 \text{ (spectral measurement)}$$

$$A_{ILL} = 1.1944cm^2 \div (1 - 0.163) = 1.4270cm^2$$

$$ILL_{UV} = [0.00017 \times 33W] \times 1000mW/W \div 1.4270cm^2 = 3.931mW/cm^2$$

$$ILL_{VIS} = [0.99977 \times 33W] \div 1.4270cm^2 = 23.12W/cm^2$$

$$ILL_{IR} = [0.00006 \times 33W] \times 1000mW/W \div 1.4270cm^2 = 1.388mW/cm^2$$

$$ILL_{BLU} = [0.28100 \times 33W] \div 1.4270cm^2 = 6.50W/cm^2$$

$$ILL_{BLU1} = [0.03200 \times 33W] \div 1.4270cm^2 = 0.74W/cm^2$$

6.8 Micromirror Landed-On/Landed-Off Duty Cycle

6.8.1 Definition of Micromirror Landed-On/Landed-Off Duty Cycle

The micromirror landed-on/landed-off duty cycle (landed duty cycle) denotes the amount of time (as a percentage) that an individual micromirror is landed in the On state versus the amount of time the same micromirror is landed in the Off state.

As an example, a landed duty cycle of 100/0 indicates that the referenced pixel is in the On state 100% of the time (and in the Off state 0% of the time); whereas 0/100 would indicate that the pixel is in the Off state 100% of the time. Likewise, 50/50 indicates that the pixel is On 50% of the time and Off 50% of the time.

Note that when assessing landed duty cycle, the time spent switching from one state (ON or OFF) to the other state (OFF or ON) is considered negligible and is thus ignored.

Since a micromirror can only be landed in one state or the other (On or Off), the two numbers (percentages) always add to 100.

6.8.2 Landed Duty Cycle and Useful Life of the DMD

Knowing the long-term average landed duty cycle (of the end product or application) is important because subjecting all (or a portion) of the DMD's micromirror array (also called the active array) to an asymmetric landed duty cycle for a prolonged period of time can reduce the DMD's usable life.

Note that it is the symmetry/asymmetry of the landed duty cycle that is of relevance. The symmetry of the landed duty cycle is determined by how close the two numbers (percentages) are to being equal. For example, a landed duty cycle of 50/50 is perfectly symmetrical whereas a landed duty cycle of 100/0 or 0/100 is perfectly asymmetrical.

6.8.3 Landed Duty Cycle and Operational DMD Temperature

Operational DMD Temperature and Landed Duty Cycle interact to affect the DMD's usable life, and this interaction can be exploited to reduce the impact that an asymmetrical Landed Duty Cycle has on the DMD's usable life. This is quantified in the de-rating curve shown in [Figure 5-1](#). The importance of this curve is that:

- All points along this curve represent the same usable life.
- All points above this curve represent lower usable life (and the further away from the curve, the lower the usable life).
- All points below this curve represent higher usable life (and the further away from the curve, the higher the usable life).

In practice, this curve specifies the Maximum Operating DMD Temperature at a given long-term average Landed Duty Cycle.

6.8.4 Estimating the Long-Term Average Landed Duty Cycle of a Product or Application

During a given period of time, the Landed Duty Cycle of a given pixel follows from the image content being displayed by that pixel.

For example, in the simplest case, when displaying pure-white on a given pixel for a given time period, that pixel will experience a 100/0 Landed Duty Cycle during that time period. Likewise, when displaying pure-black, the pixel will experience a 0/100 Landed Duty Cycle.

Between the two extremes (ignoring for the moment color and any image processing that may be applied to an incoming image), the Landed Duty Cycle tracks one-to-one with the gray scale value, as shown in [表 6-1](#).

表 6-1. Grayscale Value and Landed Duty Cycle

GRAYSCALE VALUE	LANDED DUTY CYCLE
0%	0/100
10%	10/90
20%	20/80
30%	30/70
40%	40/60
50%	50/50
60%	60/40
70%	70/30
80%	80/20
90%	90/10
100%	100/0

Accounting for color rendition (but still ignoring image processing) requires knowing both the color intensity (from 0% to 100%) for each constituent primary color (red, green, and/or blue) for the given pixel as well as the color cycle time for each primary color, where “color cycle time” is the total percentage of the frame time that a given primary must be displayed in order to achieve the desired white point.

During a given period of time, the landed duty cycle of a given pixel can be calculated as follows:

- Landed Duty Cycle = (Red_Cycle_% × Red_Scale_Value) + (Green_Cycle_% × Green_Scale_Value) + (Blue_Cycle_% × Blue_Scale_Value)

Where

- Red_Cycle_%, Green_Cycle_%, and Blue_Cycle_%, represent the percentage of the frame time that Red, Green, and Blue are displayed (respectively) to achieve the desired white point. (1)

For example, assume that the red, green and blue color cycle times are 50%, 20%, and 30% respectively (in order to achieve the desired white point), then the Landed Duty Cycle for various combinations of red, green, and blue color intensities would be as shown in [表 6-2](#) and [表 6-3](#).

表 6-2. Example Landed Duty Cycle for Full-Color, Color Percentage

RED CYCLE	GREEN CYCLE	BLUE CYCLE
50%	20%	30%

表 6-3. Example Landed Duty Cycle for Full-Color

RED SCALE	GREEN SCALE	BLUE SCALE	LANDED DUTY CYCLE
0%	0%	0%	0/100
100%	0%	0%	50/50
0%	100%	0%	20/80
0%	0%	100%	30/70
12%	0%	0%	6/94
0%	35%	0%	7/93
0%	0%	60%	18/82
100%	100%	0%	70/30
0%	100%	100%	50/50
100%	0%	100%	80/20
12%	35%	0%	13/87
0%	35%	60%	25/75
12%	0%	60%	24/76
100%	100%	100%	100/0

7 Application and Implementation

注

以下のアプリケーション情報は、TI の製品仕様に含まれるものではなく、TI ではその正確性または完全性を保証いたしません。個々の目的に対する製品の適合性については、お客様の責任で判断していただくこととなります。お客様は自身の設計実装を検証しテストすることで、システムの機能を確認する必要があります。

7.1 Application Information

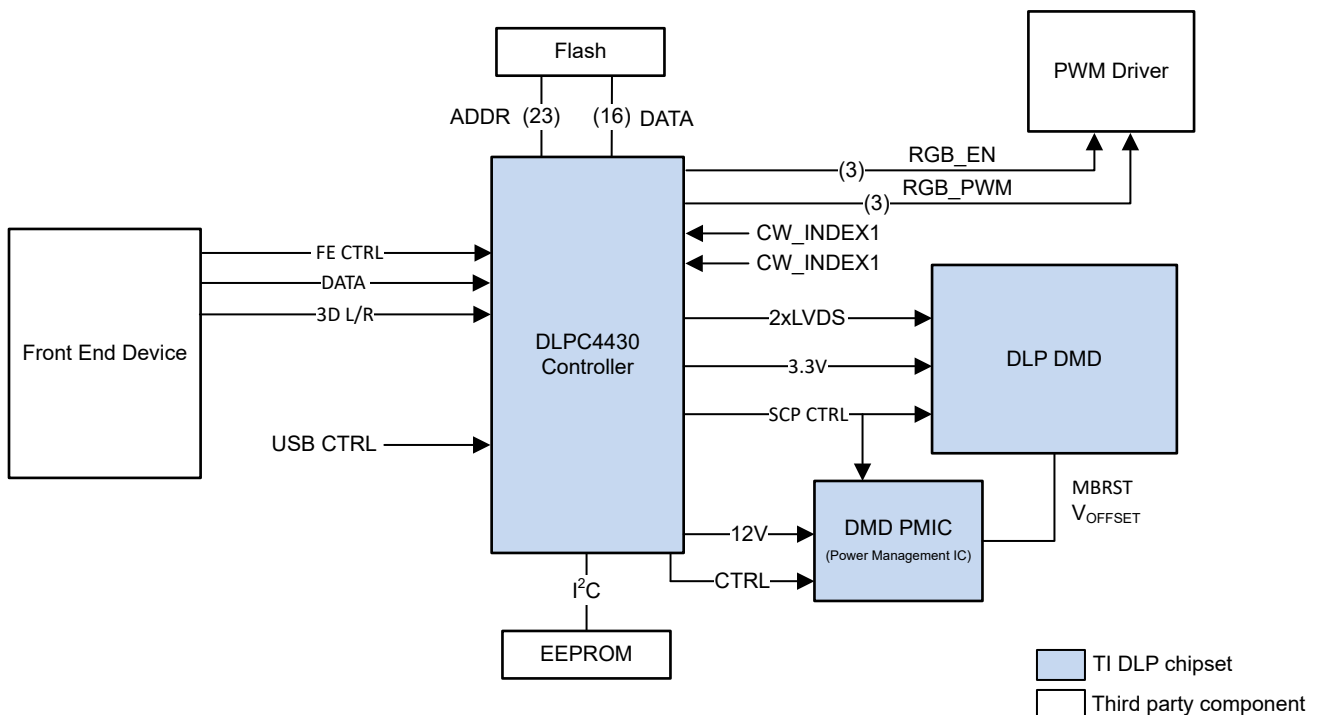
Texas Instruments DLP® technology is a micro-electro-mechanical systems (MEMS) technology that modulates light using a digital micromirror device (DMD). The DMD is a spatial light modulator, which reflects incoming light from an illumination source to one of two directions, either towards the projection optics, or the collection optics. The large micromirror array size and ceramic package provides great thermal performance for bright display applications. Typical applications using the DLP650LE include smart lighting, education projectors, and business projectors. The following orderables have been replaced by the DLP650LE:

Device Information

PART NUMBER	PACKAGE	BODY SIZE (NOM)	MECHANICAL ICD
DLP650LET	FYL (149)	32.20mm × 22.30mm	2512372
1280-6434B	FYL (149)	32.20mm × 22.30mm	2512372
1280-6438B	FYL (149)	32.20mm × 22.30mm	2512372
1280-6439B	FYL (149)	32.20mm × 22.30mm	2512372
1280-643AB	FYL (149)	32.20mm × 22.30mm	2512372

7.2 Typical Application

The DLP650LE DMD combined with a DLPC4420 (or DLPC4430) digital controller, DLPA100 power management device, and DLPA200 micromirror driver provides WXGA resolution for bright, colorful display applications. [図 7-1](#) shows a typical display system using the DLP650LE and additional system components.



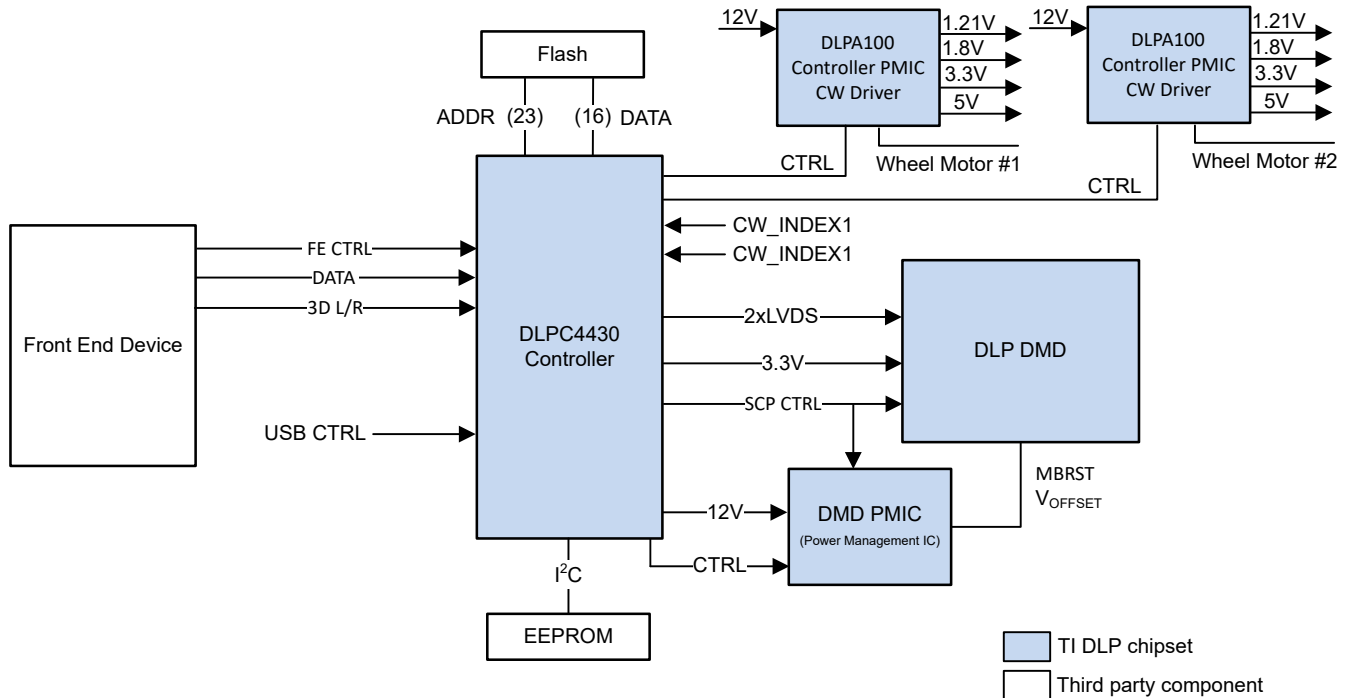


図 7-1. Typical DLPC4430 Application (LED—Top; LPCW—Bottom)

7.2.1 Design Requirements

The DLP 0.65 WXGA chipset can be used to create a powerful projection system. This chipset includes the DLP650LE, DLPC4420, DLPA100, and the DLPA200. The DLP650LE is used as the core imaging device in the display system and contains a 0.65-inch array of micromirrors. The DLPC4420 controller is the digital interface between the DMD and the rest of the system. The controller drives the DMD by taking the converted source data from the front-end receiver and transmitting it to the DMD over a high-speed interface. The DLPA100 power management device provides voltage regulators for the controller and colorwheel motor control. The DLPA200 provides the power and sequencing to drive the DLP650LE. To ensure reliable operation, the DLP650LE DMD must always be used with the DLPC4420 display controller, a DLPA100 PMIC driver, and a DLPA200 DMD micromirror driver.

Other core components of the display system include an illumination source, an optical engine for the illumination and projection optics, other electrical and mechanical components, and software. The illumination source options include lamp, LED, laser, or laser phosphor. The type of illumination used and desired brightness will have a major effect on the overall system design and size.

7.2.2 Detailed Design Procedure

For help connecting the DLPC4420 display controller and the DLP650LE DMD, see the reference design schematic. For a complete DLP system, an optical module or light engine is required that contains the DLP650LE DMD, associated illumination sources, optical elements, and necessary mechanical components. The optical module is typically supplied by an optical OMM (optical module manufacturer) who specializes in designing optics for DLP projectors.

7.2.3 Application Curve

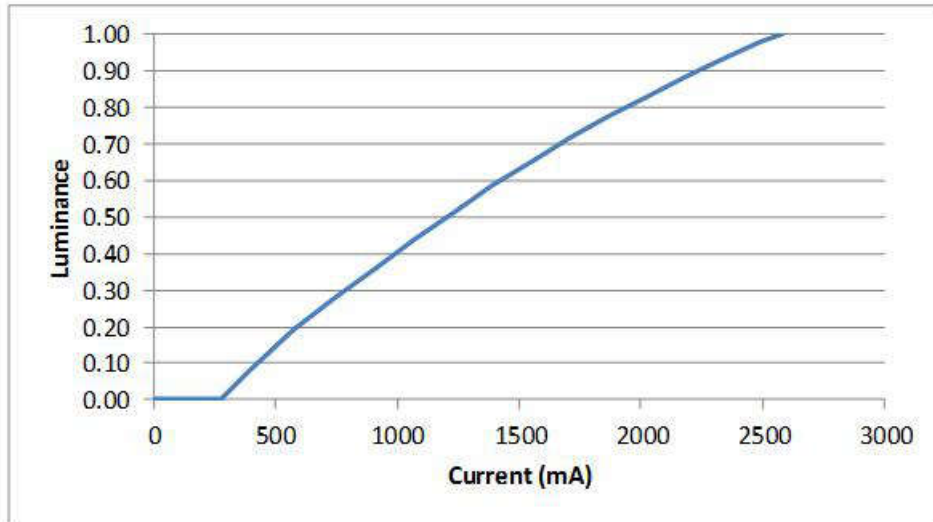


図 7-2. Luminance vs Current

8 Power Supply Recommendations

The following power supplies are all required to operate the DMD: V_{SS} , V_{BIAS} , V_{CC} , V_{CCI} , V_{OFFSET} , and V_{RESET} . DMD power-up and power-down sequencing are strictly controlled by the DLP display controller.

注

CAUTION: For reliable operation of the DMD, the following power supply sequencing requirements must be followed. Failure to adhere to any of the prescribed power-up and power-down requirements may affect device reliability. See [図 8-1—DMD Power Supply Sequencing Requirements](#).

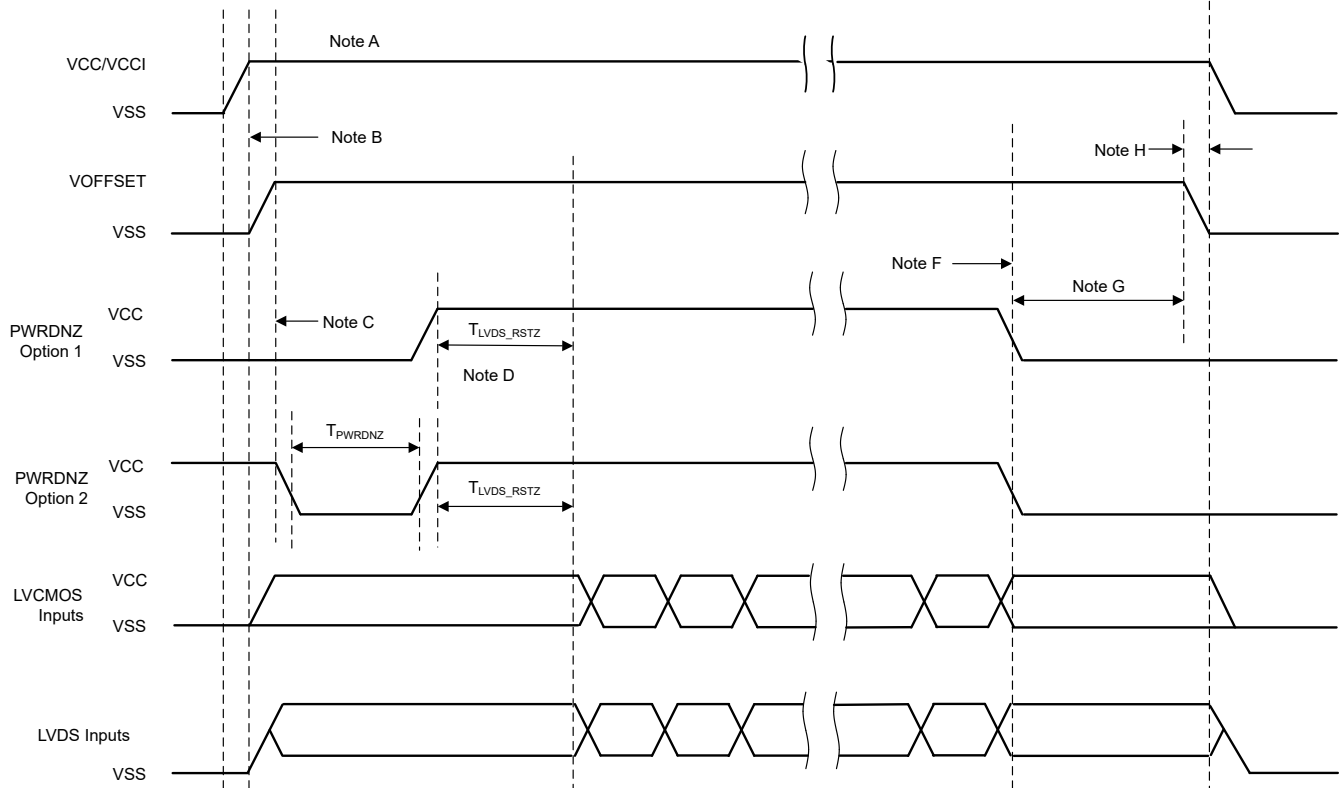
V_{BIAS} , V_{CC} , V_{CCI} , V_{OFFSET} , and V_{RESET} power supplies must be coordinated during power-up and power-down operations. Failure to meet any of the below requirements will result in a significant reduction in the DMD's reliability and lifetime. Common ground V_{SS} must also be connected.

8.1 DMD Power Supply Power-Up Procedure

- During power-up, V_{CC} and V_{CCI} must always start and settle before V_{OFFSET} is applied to the DMD.
- Power supply slew rates during power-up are flexible, provided that the transient voltage levels follow the requirements listed in [セクション 5.1](#) and in [セクション 5.4](#).
- During power-up, LVCMOS input pins must not be driven high until after V_{CC} and V_{CCI} have settled at the operating voltages listed in [セクション 5.4](#) table.

8.2 DMD Power Supply Power-Down Procedure

- During power-down, V_{CC} and V_{CCI} must be supplied until after V_{OFFSET} are discharged to within the specified limit of ground. Refer to [セクション 5.4](#).
- Power supply slew rates during power-down are flexible, provided that the transient voltage levels follow the requirements specified in [セクション 5.1](#) and [セクション 5.4](#).
- During power-down, LVCMOS input pins must be less than specified in [セクション 5.4](#).



- A. See *Pin Configuration and Functions* for pin functions.
- B. V_{CC} must be up and stable prior to V_{OFFSET} powering up.
- C. PWRDNZ has two turn on options. Option 1: PWRDNZ does not go high until V_{CC} and V_{OFFSET} are up and stable, or Option 2: PWRDNZ must be pulsed low for a minimum of T_{PWRDNZ} , or 10ns after V_{CC} and V_{OFFSET} are up and stable.
- D. There is a minimum of T_{LVDS_ARSTZ} , or 2 μ s, wait time from PWRDNZ going high for the LVDS receiver to recover.
- E. After the DMD micromirror park sequence is complete, the DLP controller software initiates a hardware power-down that activates the PWRDNZ and disables V_{OFFSET} .
- F. Under power-loss conditions, where emergency DMD micromirror park procedures are being enacted by the DLP controller hardware, PWRDNZ goes low.
- G. V_{CC} must remain high until after V_{OFFSET} goes low.
- H. To prevent excess current, the supply voltage delta $|V_{CCI} - V_{CC}|$ must be less than specified limit in the recommended operating conditions.

8-1. Power Supply Timing⁽¹⁾

9 Device and Documentation Support

9.1 サード・パーティ製品に関する免責事項

サード・パーティ製品またはサービスに関するテキサス・インスツルメンツの出版物は、単独またはテキサス・インスツルメンツの製品、サービスと一緒に提供される場合に関係なく、サード・パーティ製品またはサービスの適合性に関する是認、サード・パーティ製品またはサービスの是認の表明を意味するものではありません。

9.2 Device Support

9.2.1 Device Nomenclature

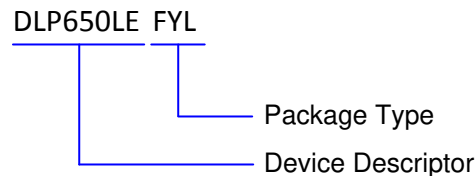


図 9-1. Part Number Description

9.2.2 Device Markings

The device marking will include both human-readable information and a 2-dimensional matrix code. The human-readable information is described in 図 9-2. The 2-dimensional matrix code is an alpha-numeric character string that contains the DMD part number, Part 1 of Serial Number, and Part 2 of Serial Number. The first character of the DMD Serial Number (part 1) is the manufacturing year. The second character of the DMD Serial Number (part 1) is the manufacturing month. The last character of the DMD Serial Number (part 2) is the bias voltage bin letter.

Example: *1280-643AB GHXXXXX LLLLLLM

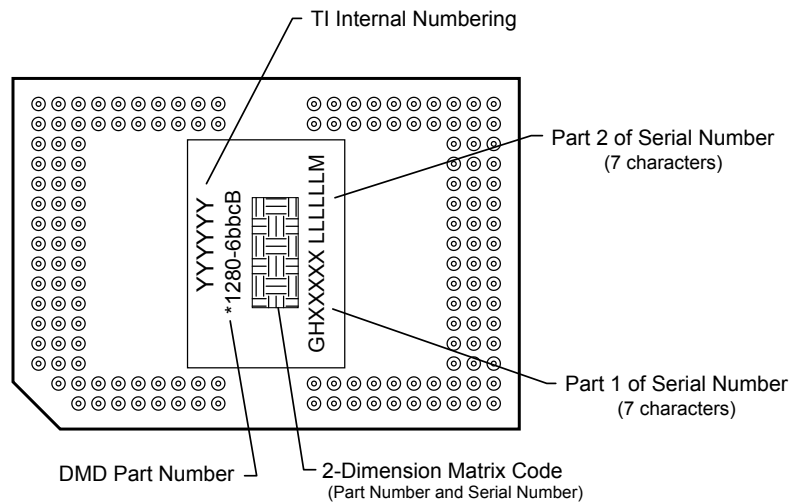


図 9-2. DMD Marking Locations

9.3 Documentation Support

9.3.1 Related Documentation

The following documents contain additional information related to the chipset components used with the DLP650LE:

- [DLPC4430 Display Controller Data Sheet](#)
- [DLPC4420 Display Controller Data Sheet](#)

- [DLPA100 Power and Motor Driver Data Sheet](#)
- [DLPA200 Micromirror Driver Data Sheet](#)

9.4 ドキュメントの更新通知を受け取る方法

ドキュメントの更新についての通知を受け取るには、www.tij.co.jp のデバイス製品フォルダを開いてください。[通知] をクリックして登録すると、変更されたすべての製品情報に関するダイジェストを毎週受け取ることができます。変更の詳細については、改訂されたドキュメントに含まれている改訂履歴をご覧ください。

9.5 サポート・リソース

テキサス・インスツルメンツ E2E™ サポート・フォーラムは、エンジニアが検証済みの回答と設計に関するヒントをエキスパートから迅速かつ直接得ることができる場所です。既存の回答を検索したり、独自の質問をしたりすることで、設計に必要な支援を迅速に得ることができます。

リンクされているコンテンツは、各寄稿者により「現状のまま」提供されるものです。これらはテキサス・インスツルメンツの仕様を構成するものではなく、必ずしもテキサス・インスツルメンツの見解を反映したものではありません。テキサス・インスツルメンツの[使用条件](#)を参照してください。

9.6 Trademarks

テキサス・インスツルメンツ E2E™ is a trademark of Texas Instruments.

DLP® is a registered trademark of Texas Instruments.

すべての商標は、それぞれの所有者に帰属します。

9.7 静電気放電に関する注意事項



この IC は、ESD によって破損する可能性があります。テキサス・インスツルメンツは、IC を取り扱う際には常に適切な注意を払うことを推奨します。正しい取り扱いおよび設置手順に従わない場合、デバイスを破損するおそれがあります。

ESD による破損は、わずかな性能低下からデバイスの完全な故障まで多岐にわたります。精密な IC の場合、パラメータがわずかに変化するだけで公表されている仕様から外れる可能性があるため、破損が発生しやすくなっています。

9.8 用語集

[テキサス・インスツルメンツ用語集](#) この用語集には、用語や略語の一覧および定義が記載されています。

10 Revision History

Changes from Revision A (February 2023) to Revision B (November 2024)	Page
• DLP650LE へのリンクを更新.....	1
• ドキュメント全体を通してメイン コントローラを DLPC4420 に更新.....	1
• アプリケーション概略図を、非フュージョン デバイスを表すように更新.....	1
• サポートされるディスプレイ コントローラとして DLPC4420 を追加.....	1
• DLP 製品のサードパーティ検索ツールおよび『テキサス・インスツルメンツの DLP ディスプレイ テクノロジーを使用した設計の開始』へのリンクを追加.....	1
• Updated notes to reflect non-fusion device.....	8
• Expanded and updated table Micromirror Array Optical Characteristics.....	18
• Updated Function Block Diagram.....	21
• Updated controller to DLPC4420.....	22
• Changed Micromirror Array Temperature Calculation.....	23
• Added section Micromirror Power Density Calculation.....	24
• Updated Figure to reflect non-fusion device.....	29
• Updated controller to DLPC4420.....	30
• Updated section to reflect non-fusion device.....	32
• Updated Figure and corrected comments from non-fusion related to fusion related. Also removed Transition Points and Delay Timing Requirements tables.....	32

- Added link to DLPC4420 data sheet..... 34

Changes from Revision * (November 2017) to Revision A (February 2023)

Page

- ドキュメントのステータスを「事前情報」から「量産データ」に変更..... 1
- ドキュメント全体にわたって表、図、相互参照の採番方法を更新。コントローラを DLPC4430 に更新。チップセット コンポーネントへのリンクを更新。。..... 1
- コントローラを DLPC4430 に更新..... 1
- Updated controller to DLPC4430..... 20
- Updated controller to DLPC4430..... 22
- Added a table for legacy part numbers and listed the mechanical ICD..... 29
- Updated controller to DLPC4430..... 29
- Updated controller to DLPC4430..... 30
- Updated controller to DLPC4430..... 30
- Updated controller to DLPC4430, updated the links..... 34

11 Mechanical, Packaging, and Orderable Information

The following pages include mechanical, packaging, and orderable information. This information is the most current data available for the designated devices. This data is subject to change without notice and revision of this document. For browser-based versions of this data sheet, refer to the left-hand navigation.

重要なお知らせと免責事項

テキサス・インスツルメンツは、技術データと信頼性データ (データシートを含みます)、設計リソース (リファレンス デザインを含みます)、アプリケーションや設計に関する各種アドバイス、Web ツール、安全性情報、その他のリソースを、欠陥が存在する可能性のある「現状のまま」提供しており、商品性および特定目的に対する適合性の黙示保証、第三者の知的財産権の非侵害保証を含むいかなる保証も、明示的または黙示的にかかわらず拒否します。

これらのリソースは、テキサス・インスツルメンツ製品を使用する設計の経験を積んだ開発者への提供を意図したものです。(1) お客様のアプリケーションに適した テキサス・インスツルメンツ製品の選定、(2) お客様のアプリケーションの設計、検証、試験、(3) お客様のアプリケーションに該当する各種規格や、その他のあらゆる安全性、セキュリティ、規制、または他の要件への確実な適合に関する責任を、お客様のみが単独で負うものとします。

上記の各種リソースは、予告なく変更される可能性があります。これらのリソースは、リソースで説明されている テキサス・インスツルメンツ製品を使用するアプリケーションの開発の目的でのみ、テキサス・インスツルメンツはその使用をお客様に許諾します。これらのリソースに関して、他の目的で複製することや掲載することは禁止されています。テキサス・インスツルメンツや第三者の知的財産権のライセンスが付与されている訳ではありません。お客様は、これらのリソースを自身で使用した結果発生するあらゆる申し立て、損害、費用、損失、責任について、テキサス・インスツルメンツおよびその代理人を完全に補償するものとし、テキサス・インスツルメンツは一切の責任を拒否します。

テキサス・インスツルメンツの製品は、[テキサス・インスツルメンツの販売条件](#)、または [ti.com](https://www.ti.com) やかかる テキサス・インスツルメンツ製品の関連資料などのいずれかを通じて提供する適用可能な条項の下で提供されています。テキサス・インスツルメンツがこれらのリソースを提供することは、適用されるテキサス・インスツルメンツの保証または他の保証の放棄の拡大や変更を意味するものではありません。

お客様がいかなる追加条項または代替条項を提案した場合でも、テキサス・インスツルメンツはそれらに異議を唱え、拒否します。

郵送先住所: Texas Instruments, Post Office Box 655303, Dallas, Texas 75265

Copyright © 2024, Texas Instruments Incorporated

PACKAGING INFORMATION

Orderable Device	Status (1)	Package Type	Package Drawing	Pins	Package Qty	Eco Plan (2)	Lead finish/ Ball material (6)	MSL Peak Temp (3)	Op Temp (°C)	Device Marking (4/5)	Samples
DLP650LEFYL	ACTIVE	CLGA	FYL	149	33	RoHS & Green	NI-AU	N / A for Pkg Type	0 to 70		Samples

(1) The marketing status values are defined as follows:

ACTIVE: Product device recommended for new designs.

LIFEBUY: TI has announced that the device will be discontinued, and a lifetime-buy period is in effect.

NRND: Not recommended for new designs. Device is in production to support existing customers, but TI does not recommend using this part in a new design.

PREVIEW: Device has been announced but is not in production. Samples may or may not be available.

OBSELETE: TI has discontinued the production of the device.

(2) **RoHS:** TI defines "RoHS" to mean semiconductor products that are compliant with the current EU RoHS requirements for all 10 RoHS substances, including the requirement that RoHS substance do not exceed 0.1% by weight in homogeneous materials. Where designed to be soldered at high temperatures, "RoHS" products are suitable for use in specified lead-free processes. TI may reference these types of products as "Pb-Free".

RoHS Exempt: TI defines "RoHS Exempt" to mean products that contain lead but are compliant with EU RoHS pursuant to a specific EU RoHS exemption.

Green: TI defines "Green" to mean the content of Chlorine (Cl) and Bromine (Br) based flame retardants meet JS709B low halogen requirements of <=1000ppm threshold. Antimony trioxide based flame retardants must also meet the <=1000ppm threshold requirement.

(3) MSL, Peak Temp. - The Moisture Sensitivity Level rating according to the JEDEC industry standard classifications, and peak solder temperature.

(4) There may be additional marking, which relates to the logo, the lot trace code information, or the environmental category on the device.

(5) Multiple Device Markings will be inside parentheses. Only one Device Marking contained in parentheses and separated by a "-" will appear on a device. If a line is indented then it is a continuation of the previous line and the two combined represent the entire Device Marking for that device.

(6) Lead finish/Ball material - Orderable Devices may have multiple material finish options. Finish options are separated by a vertical ruled line. Lead finish/Ball material values may wrap to two lines if the finish value exceeds the maximum column width.

Important Information and Disclaimer:The information provided on this page represents TI's knowledge and belief as of the date that it is provided. TI bases its knowledge and belief on information provided by third parties, and makes no representation or warranty as to the accuracy of such information. Efforts are underway to better integrate information from third parties. TI has taken and continues to take reasonable steps to provide representative and accurate information but may not have conducted destructive testing or chemical analysis on incoming materials and chemicals. TI and TI suppliers consider certain information to be proprietary, and thus CAS numbers and other limited information may not be available for release.

In no event shall TI's liability arising out of such information exceed the total purchase price of the TI part(s) at issue in this document sold by TI to Customer on an annual basis.

TRAY



Chamfer on Tray corner indicates Pin 1 orientation of packed units.

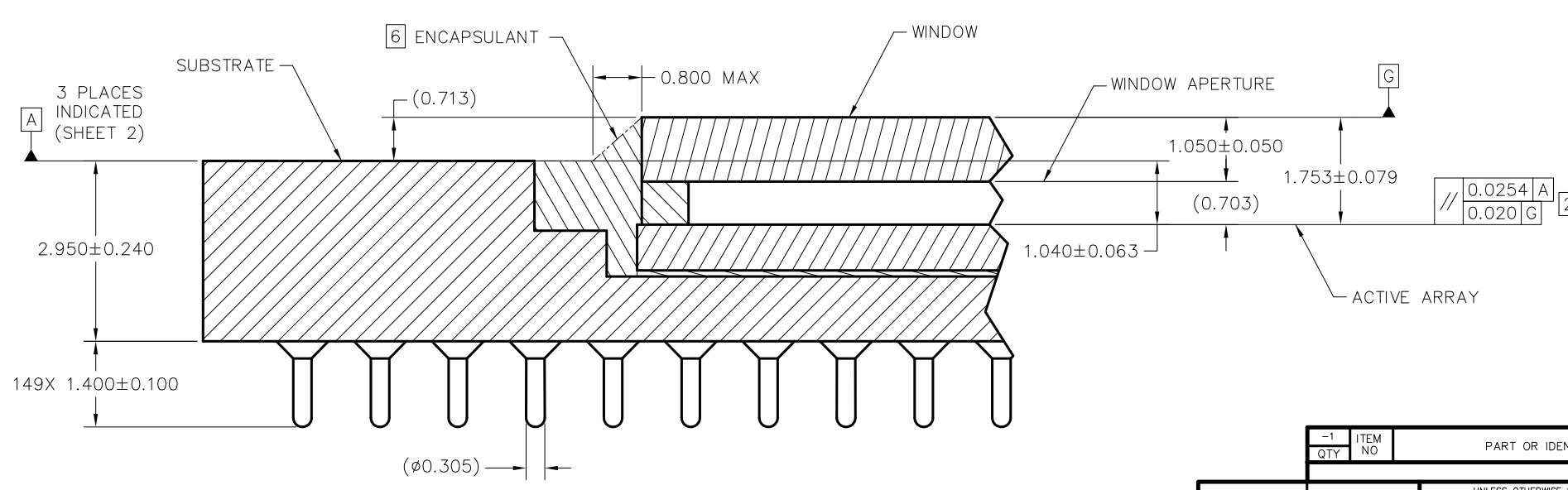
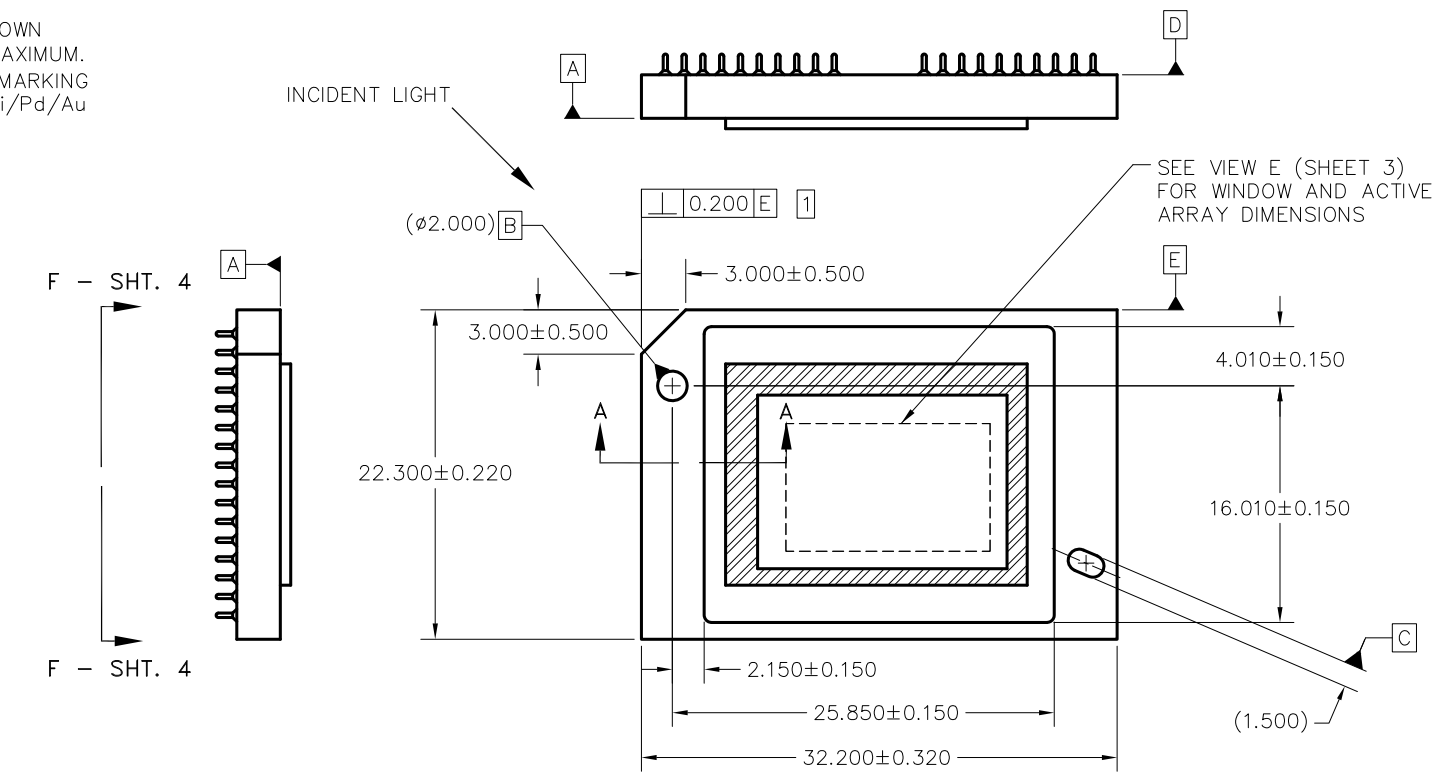
*All dimensions are nominal

Device	Package Name	Package Type	Pins	SPQ	Unit array matrix	Max temperature (°C)	L (mm)	W (mm)	K0 (µm)	P1 (mm)	CL (mm)	CW (mm)
DLP650LEFYL	FYL	CLGA	149	33	3 x 11	150	315	135.9	12190	27.5	20	27.45

REVISIONS			
REV	DESCRIPTION	DATE	APPROVED
A	ECO 2022283, INITIAL RELEASE	02/07/12	F. ARMSTRONG
B	ECO 2123271, CHG TO LARGE SYMBOLIZATION PAD	03/16/12	F. ARMSTRONG
C	ECO 2135104, ADD NOTE 8 TO SHEETS 1 & 4	08/02/13	F. ARMSTRONG
D	ECO 2168423, ADD FYL PACKAGE TO TITLE	08/17/17	M. AVERY

NOTES: UNLESS OTHERWISE SPECIFIED:

- 1 SUBSTRATE EDGE PERPENDICULARITY TOLERANCE APPLIES TO ENTIRE SURFACE
- 2 DIE PARALLELISM TOLERANCE APPLIES TO DMD ACTIVE ARRAY ONLY
- 3 ROTATION ANGLE OF DMD ACTIVE ARRAY IS A REFINEMENT OF THE LOCATION TOLERANCE AND HAS A MAXIMUM ALLOWED VALUE OF 0.8 DEGREES
- 4 SUBSTRATE SYMBOLIZATION PAD, AND PLATING AT BOTTOM OF DATUMS B AND C HOLES TO BE ELECTRICALLY CONNECTED TO VSS PLANE WITHIN THE SUBSTRATE
- 5 BOUNDARY MIRRORS SURROUNDING THE DMD ACTIVE AREA
- 6 MAXIMUM ENCAPSULANT PROFILE SHOWN
- 7 ENCAPSULANT ALLOWED ON THE SURFACE OF THE CERAMIC IN THE AREA SHOWN IN VIEW B (SHEET 2). ENCAPSULANT SHALL NOT EXCEED 0.200 THICKNESS MAXIMUM.
- 8 SUBSTRATES PLATED WITH Ni/Au SHALL HAVE THE THREE-DIGIT NUMERICAL MARKING IN THE AREA ABOVE THE SYMBOLIZATION PAD. SUBSTRATES PLATED WITH Ni/Pd/Au SHALL HAVE THE MARKING IN THE AREA BELOW THE SYMBOLIZATION PAD.



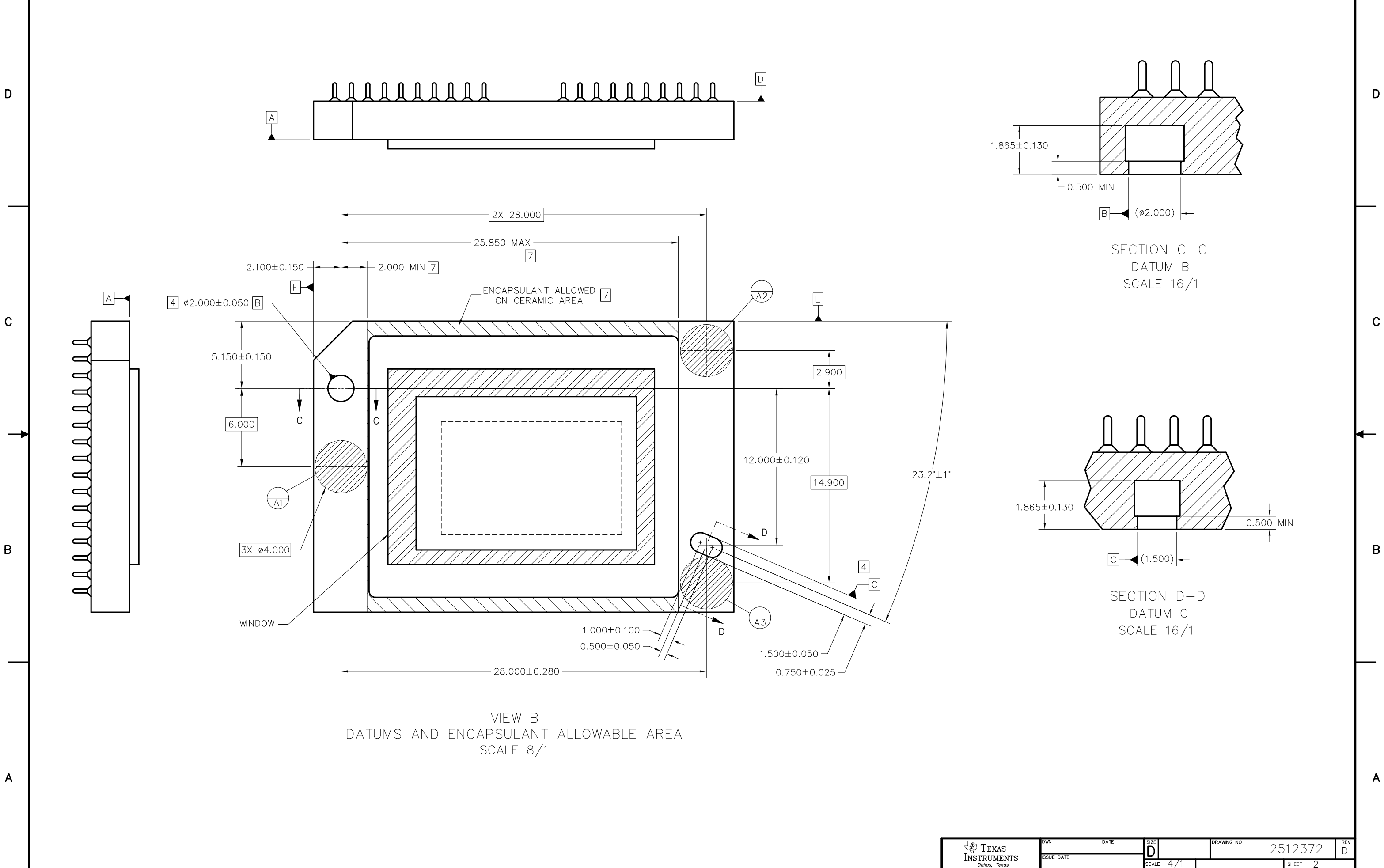
SECTION A-A
SCALE 20/1

-1	ITEM	PART OR IDENTIFYING NUMBER	NOMENCLATURE OR DESCRIPTION	NOTES
QTY	NO			
PARTS LIST				
	DWN	F. ARMSTRONG	DATE 02/07/12	
	ENGR	F. ARMSTRONG	DATE 02/07/12	
	QA	P. KONRAD		
	COE	M. DORAK		
THIRD ANGLE PROJECTION		NONE	0314DA	
	NEXT ASSY	USED ON		
	APPLICATION			
UNLESS OTHERWISE SPECIFIED		DIMENSIONS ARE IN MILLIMETERS		
TOLERANCES: ANGLES ± 1°		2 PLACE DECIMALS ±0.25		
		3 PLACE DECIMALS ±0.50		
REMOVE ALL BURRS AND SHARP EDGES		INTERPRET DIMENSIONS IN ACCORDANCE WITH ASME Y14.5-1994		
DIMENSIONAL LIMITS APPLY BEFORE PROCESSES		PARENTHEICAL INFO FOR REF ONLY		
SCALE 4/1		DRAWING NO 2512372		REV D
SHEET 1 OF 4				



ICD, MECHANICAL, DMD
.65 WXGA-800 2xLVDS V2
SERIES 450 (FYL PACKAGE)

8 7 6 5 4 3 2 1



8 7 6 5 4 3 2 1

D

D

C

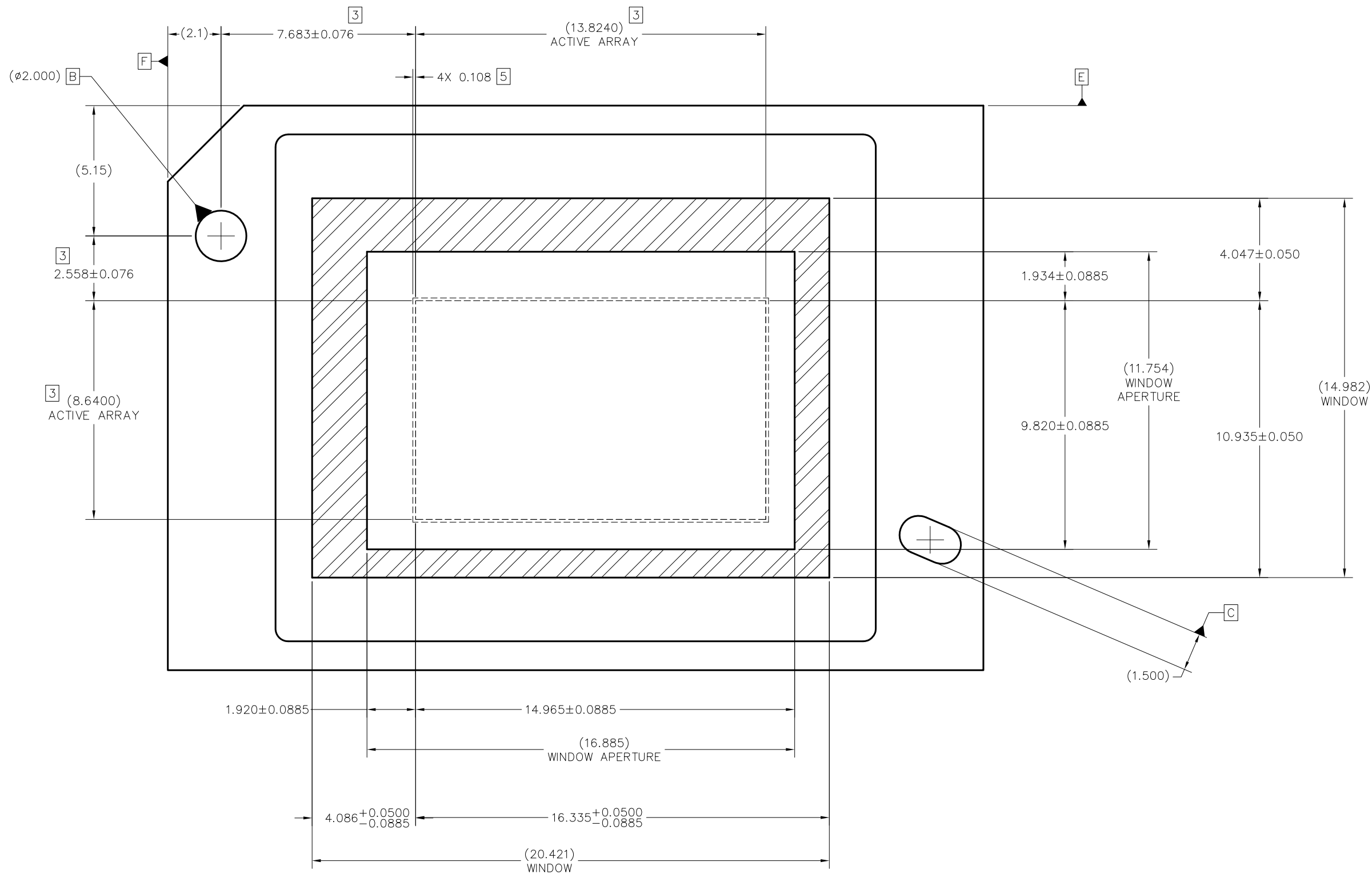
C

B

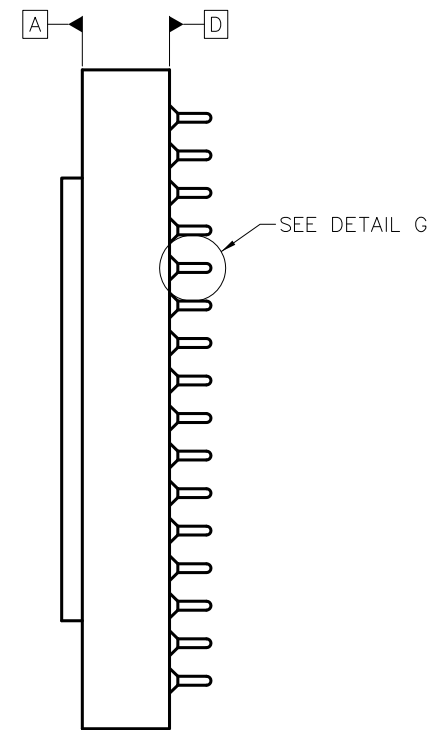
B

A

A

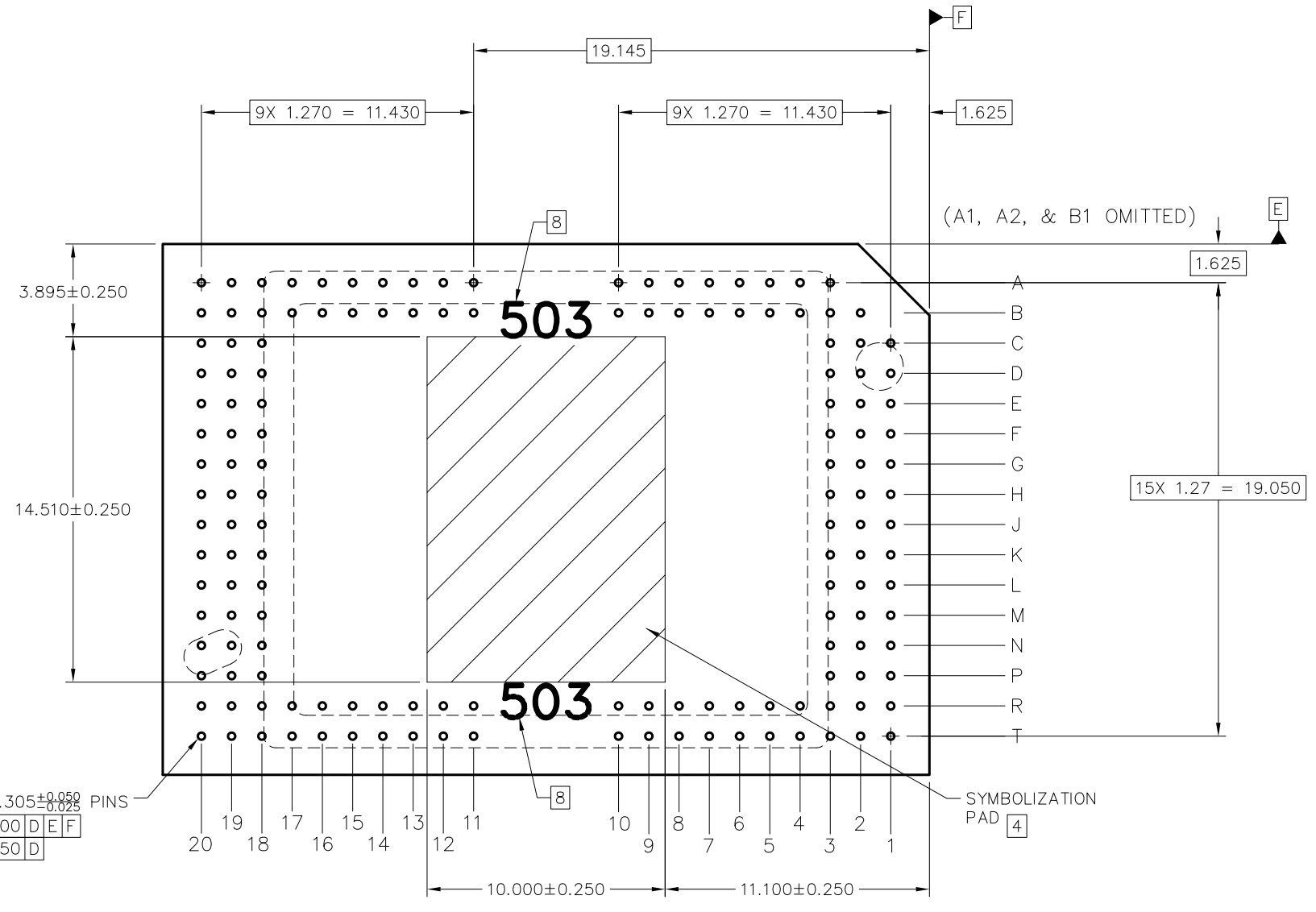


VIEW E (SHEET 1)
DMD WINDOW AND ACTIVE ARRAY
SCALE 12:1

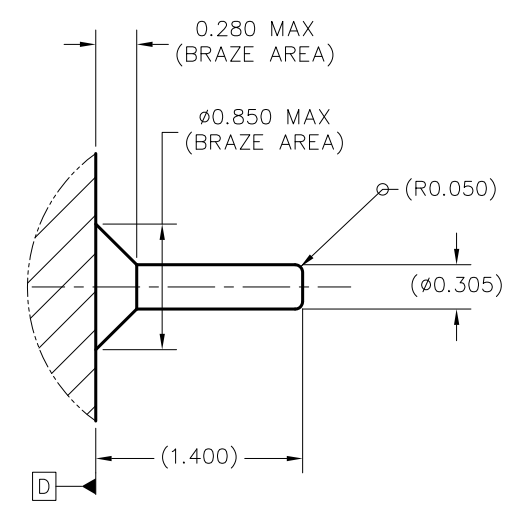


149X $\phi 0.305 \pm 0.025$ PINS

$\phi 0.500$	D	E	F
$\phi 0.250$	D		



VIEW F-F (SHEET 1)
PINS AND SYMBOLIZATION PAD
SCALE 8/1



DETAIL G (149 PLACES)
PIN & BRAZE DIMENSIONS
SCALE 40/1

重要なお知らせと免責事項

TI は、技術データと信頼性データ(データシートを含みます)、設計リソース(リファレンス・デザインを含みます)、アプリケーションや設計に関する各種アドバイス、Web ツール、安全性情報、その他のリソースを、欠陥が存在する可能性のある「現状のまま」提供しており、商品性および特定目的に対する適合性の黙示保証、第三者の知的財産権の非侵害保証を含むいかなる保証も、明示的または黙示的にかかわらず拒否します。

これらのリソースは、TI 製品を使用する設計の経験を積んだ開発者への提供を意図したものです。(1) お客様のアプリケーションに適した TI 製品の選定、(2) お客様のアプリケーションの設計、検証、試験、(3) お客様のアプリケーションに該当する各種規格や、その他のあらゆる安全性、セキュリティ、規制、または他の要件への確実な適合に関する責任を、お客様のみが単独で負うものとし、

上記の各種リソースは、予告なく変更される可能性があります。これらのリソースは、リソースで説明されている TI 製品を使用するアプリケーションの開発の目的でのみ、TI はその使用をお客様に許諾します。これらのリソースに関して、他の目的で複製することや掲載することは禁止されています。TI や第三者の知的財産権のライセンスが付与されている訳ではありません。お客様は、これらのリソースを自身で使用した結果発生するあらゆる申し立て、損害、費用、損失、責任について、TI およびその代理人を完全に補償するものとし、TI は一切の責任を拒否します。

TI の製品は、[TI の販売条件](#)、または [ti.com](#) やかかる TI 製品の関連資料などのいずれかを通じて提供する適用可能な条項の下で提供されています。TI がこれらのリソースを提供することは、適用される TI の保証または他の保証の放棄の拡大や変更を意味するものではありません。

お客様がいかなる追加条項または代替条項を提案した場合でも、TI はそれらに異議を唱え、拒否します。

郵送先住所 : Texas Instruments, Post Office Box 655303, Dallas, Texas 75265
Copyright © 2024, Texas Instruments Incorporated