

CD40x7B CMOS アナログ マルチプレクサ / デマルチプレクサ

1 特長

- 高電圧タイプ (20V 定格)
 - CD4067B – シングル 16 チャンネル マルチプレクサ / デマルチプレクサ
- 低いオン抵抗: 15V_{P-P} 信号入力範囲で、V_{DD} - V_{SS} = 15V において 125Ω (代表値)
- 高いオフ抵抗: V_{DD} - V_{SS} = 10V でチャンネル リーク ±10pA (代表値)
- マッチングされたスイッチ特性: V_{DD} - V_{SS} = 15V において R_{ON} = 5Ω (代表値)
- あらゆるデジタル制御入力および電源条件で非常に低い静止消費電力: V_{DD} - V_{SS} = 10V において 0.2μW (代表値)
- オンチップでバイナリ アドレスをデコード
- 5V、10V、15V のパラメータ定格
- 20V で静止電流を 100% テスト済み
- 標準化された対称出力特性
- パッケージの温度範囲全体にわたって 18V 時に最大入力電流 1μA: 25°C で 18V 時に 100nA
- JEDEC 暫定標準 No. 13-B 『Standard Specifications for Description of "B" Series CMOS Devices』のすべての要件に適合

2 アプリケーション

- アナログ信号とデジタル多重化
- 伝送ゲート ロジックの実装
- A/D 変換と D/A 変換
- 信号ゲーティング

3 概要

CD40x7B CMOS アナログ マルチプレクサ / デマルチプレクサは、オン状態のインピーダンスとオフ状態のリーク電流が低く、内部アドレス デコード機能を備えたデジタル制御のアナログ スイッチです。これらのデバイスをデマルチプレクサとして使用する場合は、チャンネルの IN 端子または OUT 端子が出力となり、共通 OUT 端子または IN 端子が入力となります。また、オン抵抗は入力範囲全体にわたって比較的一定です。

CD4067B は、4 つのバイナリ制御入力 A、B、C、D と 1 つの禁止入力を備えた 16 チャンネル マルチプレクサで、どの入力の組み合わせでも 1 つのスイッチが選択されるように構成されています。

禁止入力にロジック 1 が印加されると、すべてのチャンネルがオフになります。

CD40x7B タイプは、24 リードのハーメチック デュアル インライン セラミック パッケージ (F3A サフィックス)、24 リードのデュアル インライン プラスチック パッケージ (E サフィックス)、24 リードのスマール アウトライン パッケージ (M、M96、NSR サフィックス)、24 リードのシン シュリンク スモール アウトライン パッケージ (P および PWR サフィックス) で供給されます。

製品情報

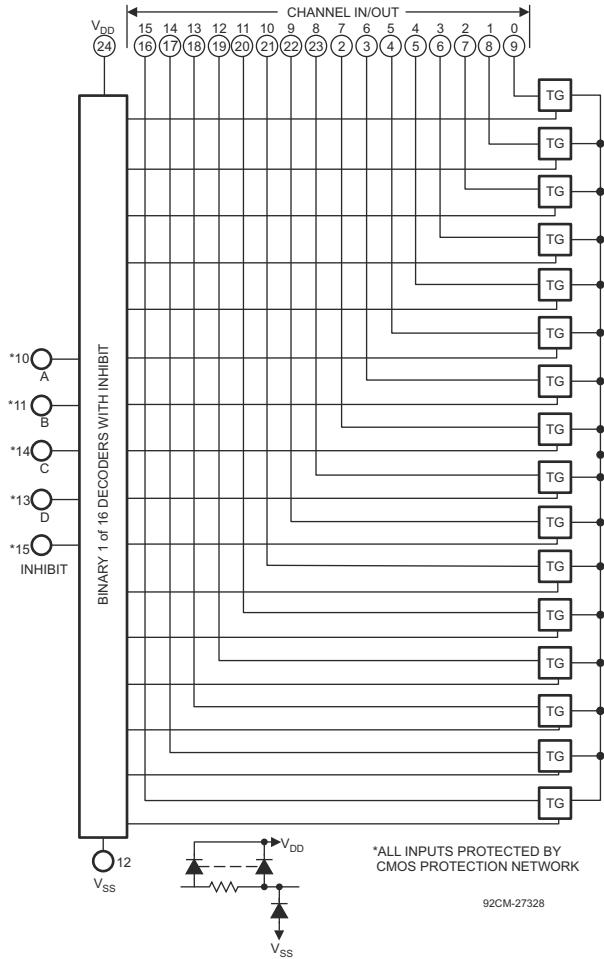
部品番号	チャンネル	パッケージ ⁽¹⁾
CD4067B	2 チャンネル 8:1 差動 マルチプレクサ	PW (TSSOP, 24)
		DW (SOIC, 24)

(1) 詳細については、[セクション 11](#) を参照してください。

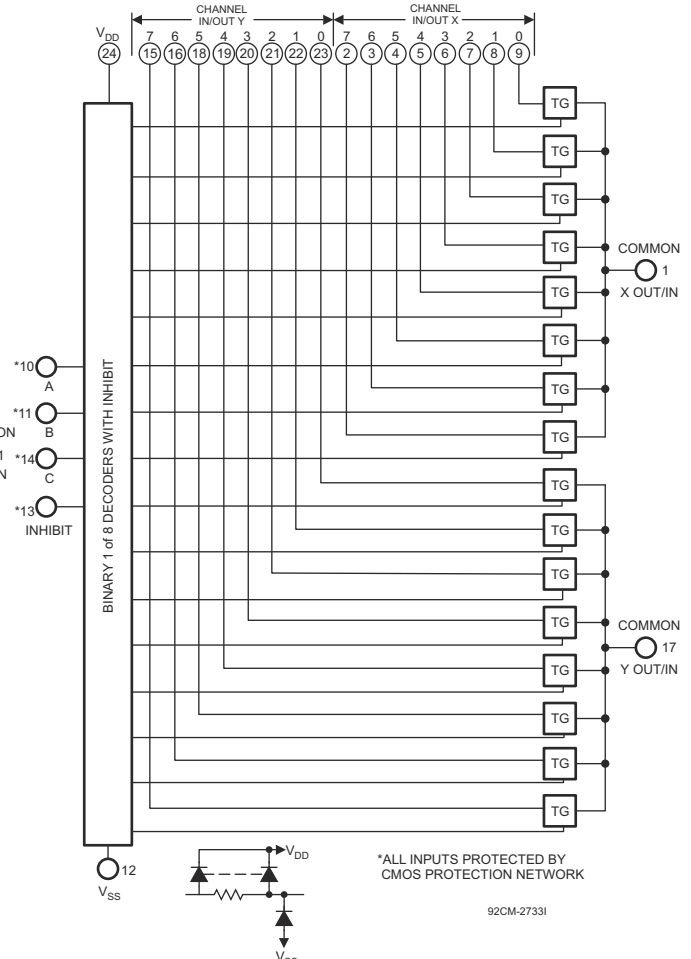


CD4067B, CD4097B

JAJSUX9D – JUNE 2003 – REVISED AUGUST 2024



CD4067 の論理図



CD4097 の論理図

Table of Contents

1 特長	1	7.1 Functional Block Diagram.....	12
2 アプリケーション	1	7.2 Device Functional Modes.....	12
3 概要	1	8 Application and Implementation	14
4 Pin Configuration and Functions	4	8.1 Application Information.....	14
5 Specifications	5	8.2 Typical Application.....	14
5.1 Absolute Maximum Ratings.....	5	9 Device and Documentation Support	15
5.2 ESD Ratings.....	5	9.1 ドキュメントの更新通知を受け取る方法.....	15
5.3 Recommended Operating Conditions.....	5	9.2 サポート・リソース.....	15
5.4 Thermal Information.....	6	9.3 Trademarks.....	15
5.5 Electrical Characteristics.....	6	9.4 静電気放電に関する注意事項.....	15
5.6 AC Performance Characteristics.....	8	9.5 用語集.....	15
5.7 Typical Characteristics.....	8	10 Revision History	15
6 Parameter Measurement Information	9	11 Mechanical, Packaging, and Orderable Information	15
6.1 Test Circuits.....	9		
7 Detailed Description	12		

4 Pin Configuration and Functions

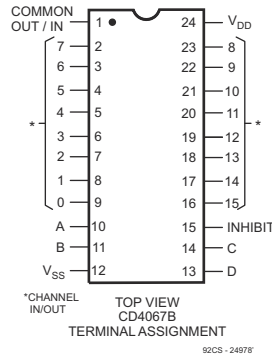


図 4-1. CD4067B 24 Pins (Top View)

表 4-1. Function Table

CD4067 TRUTH TABLE					
A	B	C	D	inh	Selected Channel
X	X	X	X	1	None
0	0	0	0	0	0
1	0	0	0	0	1
0	1	0	0	0	2
1	1	0	0	0	3
0	0	1	0	0	4
1	0	1	0	0	5
0	1	1	0	0	6
1	1	1	0	0	7
0	0	0	1	0	8
1	0	0	1	0	9
0	1	0	1	0	10
1	1	0	1	0	11
0	0	1	1	0	12
1	0	1	1	0	13
0	1	1	1	0	14
1	1	1	1	0	15

表 4-2. Function Table

CD4097 TRUTH TABLE				
A	B	C	inh	Selected Channel
X	X	X	1	None
0	0	0	0	0X, 0Y
1	0	0	0	1X, 1Y
0	1	0	0	2X, 2Y
1	1	0	0	3X, 3Y
0	0	1	0	4X, 4Y
1	0	1	0	5X, 5Y
0	1	1	0	6X, 6Y
1	1	1	0	7X, 7Y

5 Specifications

5.1 Absolute Maximum Ratings

over operating free-air temperature range (unless otherwise noted)^{(1) (2)}

		MIN	MAX	UNIT
$V_{DD} - V_{SS}$	Supply voltage		20	V
V_{DD}		-0.5	20	V
V_{SS}		-20	0.5	V
I_{SEL} or I_{EN}	Logic control input pin current (\overline{EN} , Ax, SELx)	-30	30	mA
V_S or V_D	Source or drain voltage (Sx, D)	$V_{SS}-0.5$	$V_{DD}+0.5$	V
I_S or I_D (CONT)	Source or drain continuous current (Sx, D)	-20	20	mA
T_J	Junction temperature		150	°C
T_{stg}	Storage temperature	-65	150	°C

- (1) Stresses beyond those listed under *Absolute Maximum Rating* may cause permanent damage to the device. These are stress ratings only, which do not imply functional operation of the device at these or any other conditions beyond those indicated under *Recommended Operating Condition*. Exposure to absolute-maximum-rated conditions for extended periods may affect device reliability.
- (2) All voltages are with respect to ground, unless otherwise specified.

5.2 ESD Ratings

			VALUE	UNIT
$V_{(ESD)}$	Electrostatic discharge	Human body model (HBM), per ANSI/ESDA/ JEDEC JS-001, all pins ⁽¹⁾	±2000	V
		Charged device model (CDM), per JEDEC specification JESD22-C101, all pins ⁽²⁾	±200	

- (1) JEDEC document JEP155 states that 500V HBM allows safe manufacturing with a standard ESD control process.
- (2) JEDEC document JEP157 states that 250V CDM allows safe manufacturing with a standard ESD control process.

5.3 Recommended Operating Conditions

over operating free-air temperature range (unless otherwise noted)

		MIN	NOM	MAX	UNIT
$V_{DD} - V_{SS}$ ⁽¹⁾	Power supply voltage differential	3		18	V
V_{DD}	Positive power supply voltage	3		18	V
V_S or V_D	Signal path input/output voltage (source or drain pin) (Sx, D)	V_{SS}		V_{DD}	V
V_{SEL} or V_{EN}	Address or enable pin voltage	0		V_{DD}	V
I_S or I_D (CONT)	Source or drain continuous current (Sx, D)	-10		10	mA
T_A	Ambient temperature	-55		125	°C

- (1) V_{DD} and V_{SS} can be any value as long as $3V \leq (V_{DD} - V_{SS}) \leq 24V$, and the minimum V_{DD} is met.

5.4 Thermal Information

THERMAL METRIC ⁽¹⁾		CD406x	CD406x	UNIT
		D (SOIC)	PW (TSSOP)	
		14 PINS	14 PINS	
R _{θJA}	Junction-to-ambient thermal resistance	109.7	101.8	°C/W
R _{θJC(top)}	Junction-to-case (top) thermal resistance	69.4	44.3	°C/W
R _{θJB}	Junction-to-board thermal resistance	67.9	68.2	°C/W
Ψ _{JT}	Junction-to-top characterization parameter	25.8	3.2	°C/W
Ψ _{JB}	Junction-to-board characterization parameter	67.1	67.6	°C/W

(1) For more information about traditional and new thermal metrics, see the [Semiconductor and IC Package Thermal Metrics](#) application report.

5.5 Electrical Characteristics

Over operating free-air temperature range, V_{SUPPLY} = ±5V, and R_L = 100Ω, (unless otherwise noted)⁽¹⁾

PARAMETER	TEST CONDITIONS	TEST CONDITIONS	TEST CONDITIONS	TEST CONDITIONS	MIN	TYP	MAX	UNIT			
SIGNAL INPUTS (V_{IS}) AND OUTPUTS (V_{OS})											
I _{DD}	Quiescent Device Current	V _{IS} = 0 to 5V V _{DD} = 5V	T _A = -55°C					13	μA		
			T _A = -40°C					13			
			T _A = 25°C			5	14.5				
			T _A = 85°C				150				
			T _A = 125°C				150				
		V _{IS} = 0 to 5V V _{DD} = 10V	T _A = -55°C							14	
			T _A = -40°C							14	
			T _A = 25°C			6	15.5				
			T _A = 85°C				300				
			T _A = 125°C				300				
		V _{IS} = 0 to 5V V _{DD} = 15V	T _A = -55°C							20	
			T _A = -40°C							20	
			T _A = 25°C			6	20				
			T _A = 85°C				600				
			T _A = 125°C				600				
		V _{IS} = 0 to 5V V _{DD} = 20V	T _A = -55°C							100	
			T _A = -40°C							100	
			T _A = 25°C			7	100				
			T _A = 85°C				3000				
			T _A = 125°C				3000				
r _{ON}	ON Resistance r _{ON} Max	to (V _{DD} -V _{SS})/2, V _C = V _{DD} , R _L = 10kΩ returned V _{IS} = V _{SS} to V _{DD}	V _{DD} = 5V	T _A = -55°C				800	Ω		
				T _A = -40°C				850			
				T _A = 25°C			470	1050			
				T _A = 85°C				1200			
				T _A = 125°C				1300			
			V _{DD} = 10V	T _A = -55°C							310
				T _A = -40°C							330
				T _A = 25°C			180	400			
				T _A = 85°C				520			
				T _A = 125°C				550			
			V _{DD} = 15V	T _A = -55°C							200
				T _A = -40°C							210
				T _A = 25°C			125	240			
V _{DD} = 15V	T _A = 85°C						300				
	T _A = 125°C						320				

5.5 Electrical Characteristics (続き)

Over operating free-air temperature range, $V_{SUPPLY} = \pm 5V$, and $R_L = 100\Omega$, (unless otherwise noted)⁽¹⁾

PARAMETER			TEST CONDITIONS	TEST CONDITIONS	TEST CONDITIONS	TEST CONDITIONS	MIN	TYP	MAX	UNIT	
ΔR_{ON}	On-state resistance difference between any two switches		$R_L = 10k\Omega, V_C = V_{DD}$	$V_{DD} = 5V$				15		Ω	
	On-state resistance difference between any two switches			$V_{DD} = 10V$				10			
	On-state resistance difference between any two switches			$V_{DD} = 15V$				5			
OFF Channel Leakage Current: Any Channel OFF (Max) or ALL Channels OFF (COMMON OUT/IN) (Max)			$V_{DD} - V_{SS} = 18V$		$T_A = -55^\circ C$				± 100	nA	
					$T_A = -40^\circ C$				± 100		
					$T_A = 25^\circ C$				$\pm 0.1 \pm 100^{(2)}$		
					$T_A = 85^\circ C$				$\pm 1000^{(2)}$		
					$T_A = 125^\circ C$				$\pm 1000^{(2)}$		
C_{IS}	Input capacitance	$V_S = 0V$ $f = 1MHz$ CD4067	$V_{DD} = 5V, V_C = V_{SS} = -5V$	$V_{DD} = 5V, V_C = V_{SS} = -5V$	$V_{DD} = 5V, V_C = V_{SS} = -5V$	$V_{DD} = 5V, V_C = V_{SS} = -5V$		5		pF	
C_{OS}	Output capacitance	$V_S = 0V$ $f = 1MHz$ CD4067	$V_{DD} = 5V, V_C = V_{SS} = -5V$	$V_{DD} = 5V, V_C = V_{SS} = -5V$	$V_{DD} = 5V, V_C = V_{SS} = -5V$	$V_{DD} = 5V, V_C = V_{SS} = -5V$		55		pF	
C_{OS}	Output capacitance	$V_S = 0V$ $f = 1MHz$ CD4097	$V_{DD} = 5V, V_C = V_{SS} = -5V$	$V_{DD} = 5V, V_C = V_{SS} = -5V$	$V_{DD} = 5V, V_C = V_{SS} = -5V$	$V_{DD} = 5V, V_C = V_{SS} = -5V$		35		pF	
C_{IOS}	Feed through	$V_S = 0V$ $f = 1MHz$	$V_{DD} = 5V, V_C = V_{SS} = -5V$	$V_{DD} = 5V, V_C = V_{SS} = -5V$	$V_{DD} = 5V, V_C = V_{SS} = -5V$	$V_{DD} = 5V, V_C = V_{SS} = -5V$		0.2		pF	
V_{IHC}	Control input, high voltage		See Figure 6-1	$V_{DD} = 5V$					3.5		V
				$V_{DD} = 10V$					7		V
				$V_{DD} = 15V$					11		V
V_{ILC}	Control input, low voltage (max)			$V_{DD} = 5V$				1			V
				$V_{DD} = 10V$				1			V
				$V_{DD} = 15V$				1			V
I_{IN}	Input current (max)		$V_{IS} \leq V_{DD}, V_{DD} - V_{SS} = 18V, V_{CC} \leq V_{DD} - V_{SS}, V_{DD} = 18V$	$T_A = -55^\circ C$				-0.1		1	μA
				$T_A = -40^\circ C$				-0.1		1	
				$T_A = 25^\circ C$				-0.1	0.0001	1	
				$T_A = 85^\circ C$				-1		1	
	Input current (max)	Input current (max)		$T_A = 125^\circ C$				-1		1	
C_{IN}	Input Capacitance						5	7.5		pF	
BW	-3dB cutoff frequency (switch on)	CD4067	$V_C = V_{DD} = 5V, V_{SS} = -5V, V_{IS(p-p)} = 5V$ (sine wave centered on 0V), $R_L = 1k\Omega$ Common Out/In					14		MHz	
		CD4097						20			
	-3dB cutoff frequency (switch on)		$V_C = V_{DD} = 5V, V_{SS} = -5V, V_{IS(p-p)} = 5V$ (sine wave centered on 0V), $R_L = 1k\Omega$ Any channel					60			
THD	Total Harmonic Distortion	Total Harmonic Distortion	$V_C = V_{DD} = 5V, V_{SS} = 0V, V_{IS(p-p)} = 2V$ (sine wave centered on 0V), $R_L = 10k\Omega, f_{IS} = 1-kHz$ sine wave					0.3		%	
			$V_C = V_{DD} = 10V, V_{SS} = 0V, V_{IS(p-p)} = 3V$ (sine wave centered on 0V), $R_L = 10k\Omega, f_{IS} = 1-kHz$ sine wave					0.2			
			$V_C = V_{DD} = 15V, V_{SS} = 0V, V_{IS(p-p)} = 5V$ (sine wave centered on 0V), $R_L = 10k\Omega, f_{IS} = 1-kHz$ sine wave					0.12			
OISO	-40dB feed through frequency (switch off)	CD4067	$V_C = V_{DD} = 5V, V_{SS} = -5V, V_{IS(p-p)} = 5V$ (sine wave centered on 0V), $R_L = 1k\Omega$ Common Out/In					20		MHz	
		CD4097						12			
	-40dB feed through frequency (switch off)		$V_C = V_{DD} = 5V, V_{SS} = -5V, V_{IS(p-p)} = 5V$ (sine wave centered on 0V), $R_L = 1k\Omega$ Any channel					8			
XTALK	-40dB crosstalk frequency	Any 2 Channels						1		MHz	
		CD4097 on Common	$V_C = V_{DD} = 5V, V_{SS} = -5V, V_{IS(p-p)} = 5V$ (sine wave centered on 0V), $R_L = 1k\Omega$					10			
		CD4097 on Any						18			

5.5 Electrical Characteristics (続き)

Over operating free-air temperature range, $V_{SUPPLY} = \pm 5V$, and $R_L = 100\Omega$, (unless otherwise noted)⁽¹⁾

PARAMETER	TEST CONDITIONS	TEST CONDITIONS	TEST CONDITIONS	TEST CONDITIONS	MIN	TYP	MAX	UNIT
Crosstalk (control input to signal output)	$V_C = 10V$ (square wave), $R_L = 10k\Omega$, $V_{DD} = 10V$					75		mV

- (1) Peak-to-Peak voltage symmetrical about $(V_{DD} - V_{EE}) / 2$.
- (2) Determined by minimum feasible leakage measurement for automatic testing.

5.6 AC Performance Characteristics

$V_{DD} = +15V$, $V_{SS} = V_{EE} = 0V$,

$T_A = 25^\circ C$ (unless otherwise noted)

PARAMETER	FROM	TO	TEST CONDITIONS	V_{CC}	MIN	TYP	MAX	UNIT
t_{pd}	Signal Input	Signal Output	$V_{IN} = V_{DD}$, $C_L = 50$ pF, $R_L = 1k\Omega$	5V		30	60	ns
				10V		15	30	
				15V		7	20	
t_{ph}	Signal Input	Signal Output	$V_{IN} = V_{DD}$, $C_L = 50$ pF, $R_L = 1k\Omega$	5V		325	650	ns
				10V		135	270	
				15V		95	190	
t_{phi}	Signal Input	Signal Output	$V_{IN} = V_{DD}$, $C_L = 50$ pF, $R_L = 1k\Omega$	5V		220	440	ns
				10V		90	180	
				15V		65	130	

5.7 Typical Characteristics

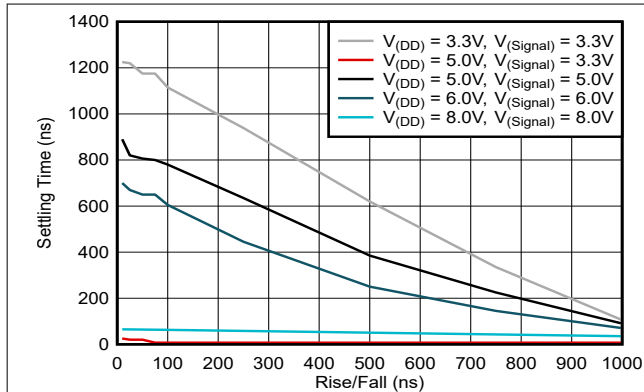


図 5-1. System Settling Time vs Signal Rise/Fall Time

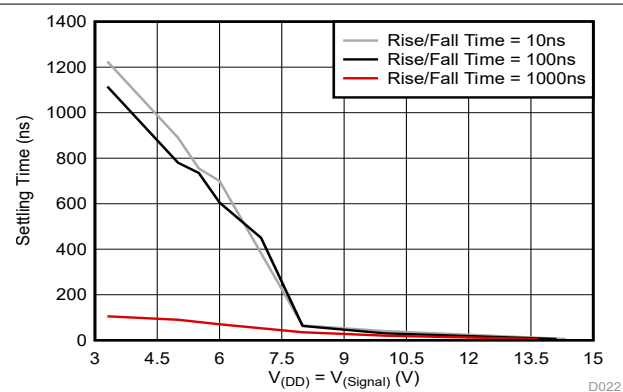


図 5-2. System Settling Time vs Signal Voltage

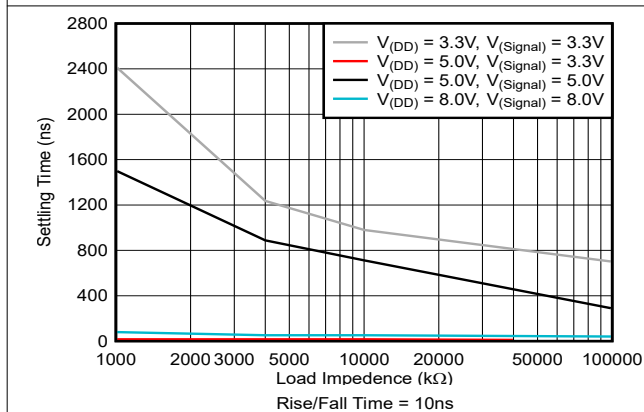


図 5-3. System Settling Time vs Signal Voltage

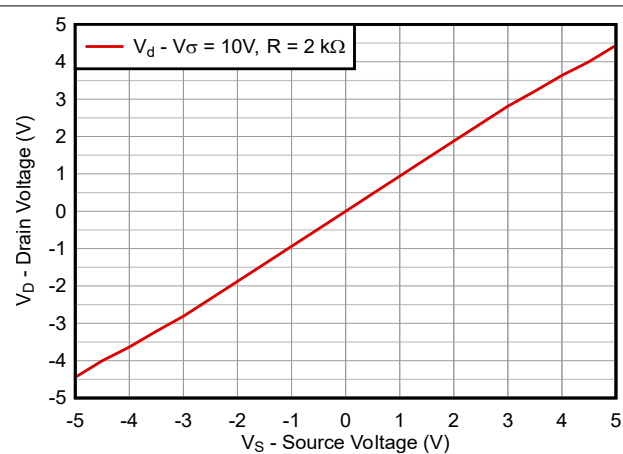


図 5-4. Source Voltage Input vs Drain Voltage Output

6 Parameter Measurement Information

6.1 Test Circuits

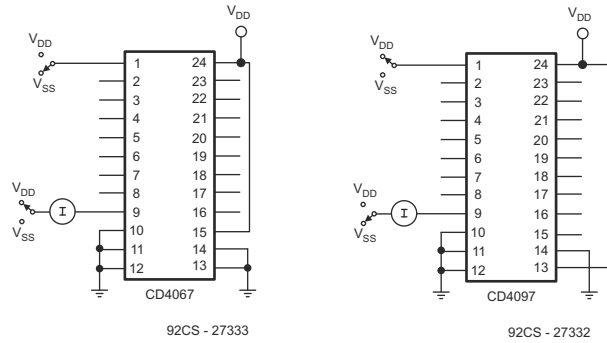


図 6-1. OFF Channel Leakage Current – Any Channel OFF

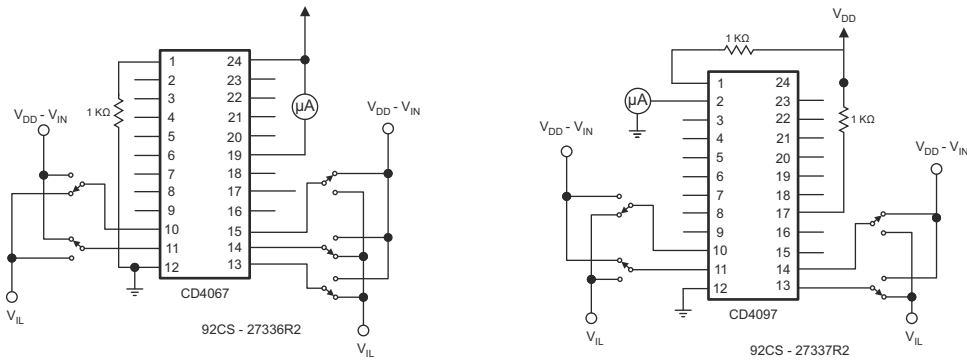


図 6-2. Input Voltage – Measure <2µA on all OFF Channels (For Example, Channel 12)

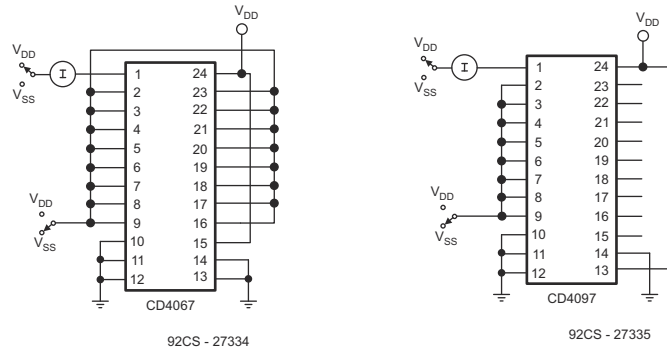


図 6-3. OFF Channel Leakage Current – All Channels OFF

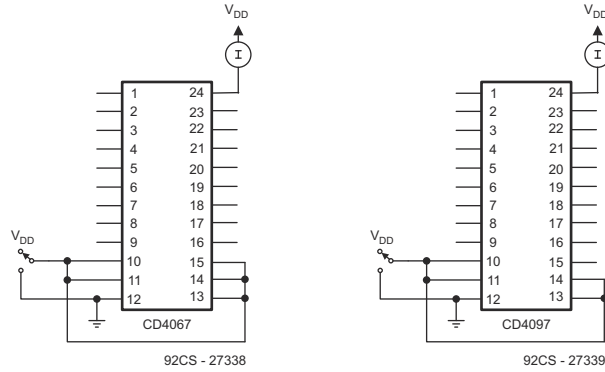


図 6-4. Quiescent Device Current

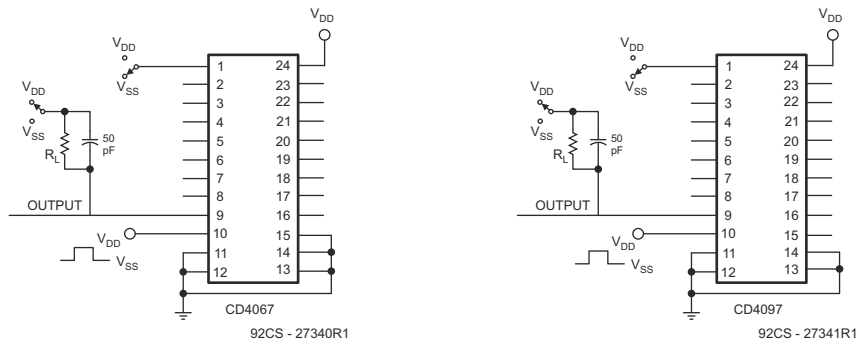


図 6-5. Turn-on and Turn-off Propagation Delay – Address Select Input to Signal Output (For Example,, Measured on Channel 0)

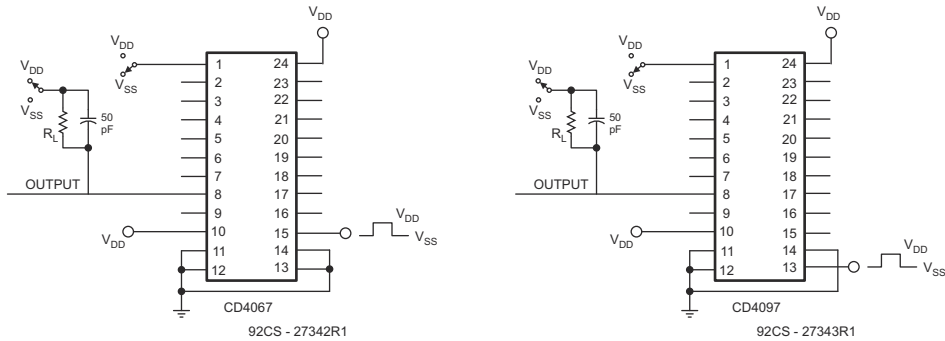


図 6-6. Turn-on and Turn-off Propagation Delay – Inhibit Input to Signal Output (For Example,, Measured on Channel 1)

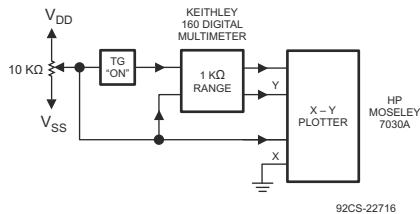


図 6-7. Channel ON Resistance Measurement Circuit

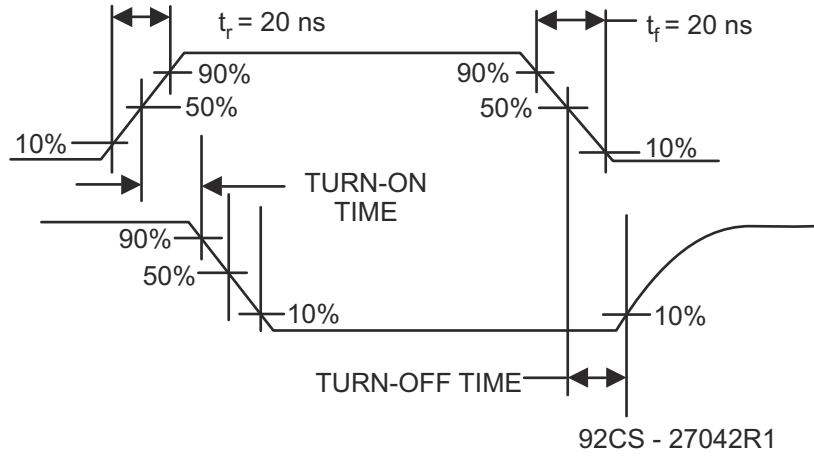


図 6-8. Propagation Delay Waveform Channel Being turned ON ($R_L = 10k\Omega$, $C_L = 50$ pF)

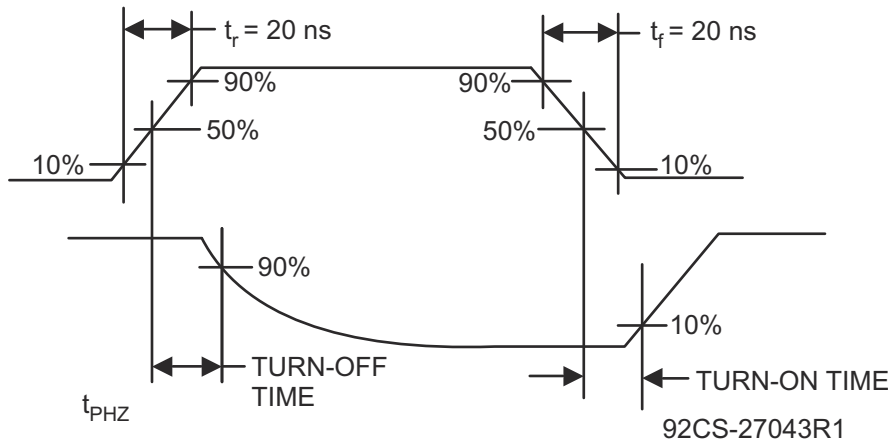


図 6-9. Propagation Delay Waveform Channel Being turned OFF ($R_L = 300\Omega$, $C_L = 50$ pF)

CD4067B, CD4097B

JAJSUX9D – JUNE 2003 – REVISED AUGUST 2024

7 Detailed Description

7.1 Functional Block Diagram

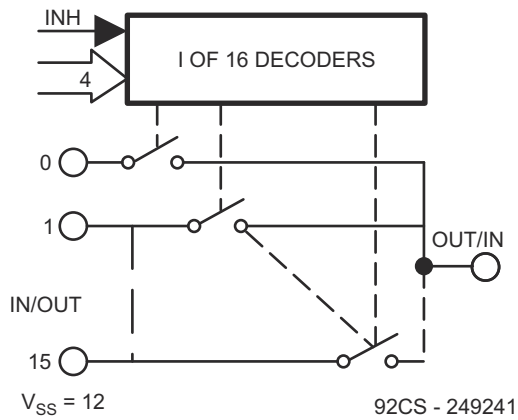


図 7-1. CD4067

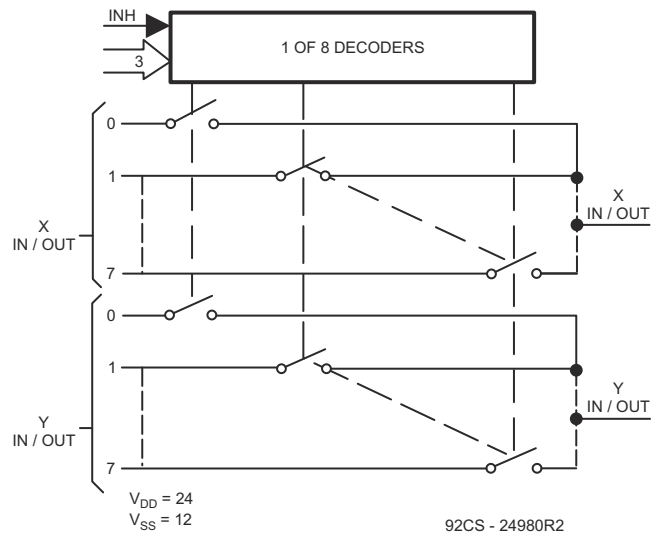


図 7-2. CD4097

7.2 Device Functional Modes

表 7-1. Function Table

CD4067 TRUTH TABLE					
A	B	C	D	inh	Selected Channel
X	X	X	X	1	None
0	0	0	0	0	0
1	0	0	0	0	1
0	1	0	0	0	2
1	1	0	0	0	3
0	0	1	0	0	4
1	0	1	0	0	5
0	1	1	0	0	6
1	1	1	0	0	7
0	0	0	1	0	8
1	0	0	1	0	9
0	1	0	1	0	10
1	1	0	1	0	11
0	0	1	1	0	12
1	0	1	1	0	13
0	1	1	1	0	14
1	1	1	1	0	15

表 7-2. Function Table

CD4097 TRUTH TABLE				
A	B	C	inh	Selected Channel
X	X	X	1	None
0	0	0	0	0X, 0Y
1	0	0	0	1X, 1Y
0	1	0	0	2X, 2Y
1	1	0	0	3X, 3Y
0	0	1	0	4X, 4Y
1	0	1	0	5X, 5Y
0	1	1	0	6X, 6Y
1	1	1	0	7X, 7Y

8 Application and Implementation

注

以下のアプリケーション情報は、テキサス・インスツルメンツの製品仕様に含まれるものではなく、テキサス・インスツルメンツはその正確性も完全性も保証いたしません。個々の目的に対する製品の適合性については、お客様の責任で判断していただくことになります。また、お客様は自身の設計実装を検証しテストすることで、システムの機能を確認する必要があります。

8.1 Application Information

8.1.1 Special Considerations

In applications where separate power sources are used to drive V_{DD} and the signal inputs, the V_{DD} current capability should exceed V_{DD}/R_L (R_L = effective external load). This provision avoids permanent current flow or clamp action on the V_{DD} supply when power is applied or removed from the CD40x7B.

When switching from one address to another, some of the ON periods of the channels of the multiplexers will overlap momentarily, which may be objectionable in certain applications. Also, when a channel is turned on or off by an address input, there is a momentary conductive path from the channel to V_{SS} , which will dump some charge from any capacitor connected to the input or output of the channel. The inhibit input turning on a channel will similarly dump some charge to V_{SS} .

The amount of charge dumped is mostly a function of the signal level above V_{SS} . Typically, at $V_{DD}-V_{SS} = 10V$, a 100pF capacitor connected to the input or output of the channel will lose 3-4% of its voltage at the moment the channel turns on or off. This loss of voltage is essentially independent of the address or inhibit signal transition time, if the transition time is less than 1-2 μ s. When the inhibit signal turns a channel off, there is no charge dumping to V_{SS} . Rather, there is a slight rise in the channel voltage level (65mV typical) due to capacitive coupling from inhibit input to channel input or output. Address inputs also couple some voltage steps onto the channel signal levels.

In certain applications, the external load-resistor current may include both V_{DD} and signal-line components. To avoid drawing V_{DD} current when switch current flows into the transmission gate inputs, the voltage drop across the bidirectional switch must not exceed 0.8V (calculated from R_{TON} values shown in *Electrical Characteristics* tables). No V_{DD} current will flow through R_L if the switch current flows into terminal 1 on the CD4067B, terminals 1 and 17 on the CD4097B.

8.2 Typical Application

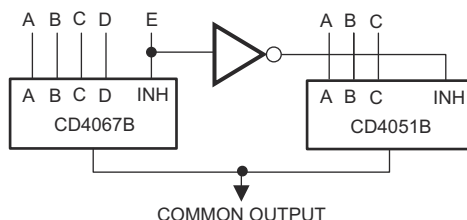


図 8-1. 18-24-to-1 MUX Addressing

9 Device and Documentation Support

9.1 ドキュメントの更新通知を受け取る方法

ドキュメントの更新についての通知を受け取るには、www.tij.co.jp のデバイス製品フォルダを開いてください。
[通知] をクリックして登録すると、変更されたすべての製品情報に関するダイジェストを毎週受け取ることができます。変更の詳細については、改訂されたドキュメントに含まれている改訂履歴をご覧ください。

9.2 サポート・リソース

[テキサス・インスツルメンツ E2E™ サポート・フォーラム](#) は、エンジニアが検証済みの回答と設計に関するヒントをエキスパートから迅速かつ直接得ることができる場所です。既存の回答を検索したり、独自の質問をしたりすることで、設計に必要な支援を迅速に得ることができます。

リンクされているコンテンツは、各寄稿者により「現状のまま」提供されるものです。これらはテキサス・インスツルメンツの仕様を構成するものではなく、必ずしもテキサス・インスツルメンツの見解を反映したものではありません。テキサス・インスツルメンツの[使用条件](#)を参照してください。

9.3 Trademarks

テキサス・インスツルメンツ E2E™ is a trademark of Texas Instruments.
すべての商標は、それぞれの所有者に帰属します。

9.4 静電気放電に関する注意事項



この IC は、ESD によって破損する可能性があります。テキサス・インスツルメンツは、IC を取り扱う際には常に適切な注意を払うことを推奨します。正しい取り扱いおよび設置手順に従わない場合、デバイスを破損するおそれがあります。

ESD による破損は、わずかな性能低下からデバイスの完全な故障まで多岐にわたります。精密な IC の場合、パラメータがわずかに変化するだけで公表されている仕様から外れる可能性があるため、破損が発生しやすくなっています。

9.5 用語集

[テキサス・インスツルメンツ用語集](#) この用語集には、用語や略語の一覧および定義が記載されています。

10 Revision History

資料番号末尾の英字は改訂を表しています。その改訂履歴は英語版に準じています。

Changes from Revision C (July 2024) to Revision D (August 2024)	Page
• Added Settling Time plots.....	8

Changes from Revision B (June 2003) to Revision C (July 2024)	Page
• ドキュメント全体にわたって表、図、相互参照の採番方法を更新.....	1
• Changed max and typ IDD for lower supply voltages.....	6
• Changed max IIN at low temperature.....	6

11 Mechanical, Packaging, and Orderable Information

The following pages include mechanical, packaging, and orderable information. This information is the most current data available for the designated devices. This data is subject to change without notice and revision of this document. For browser-based versions of this data sheet, refer to the left-hand navigation.

PACKAGING INFORMATION

Orderable Device	Status (1)	Package Type	Package Drawing	Pins	Package Qty	Eco Plan (2)	Lead finish/ Ball material (6)	MSL Peak Temp (3)	Op Temp (°C)	Device Marking (4/5)	Samples
CD4067BF	ACTIVE	CDIP	J	24	15	Non-RoHS & Non-Green	Call TI	N / A for Pkg Type	-55 to 125	CD4067BF	Samples
CD4067BF3A	ACTIVE	CDIP	J	24	15	Non-RoHS & Non-Green	Call TI	N / A for Pkg Type	-55 to 125	CD4067BF3A	Samples
CD4067BM	OBSOLETE	SOIC	DW	24		TBD	Call TI	Call TI	-55 to 125	CD4067BM	
CD4067BM96	ACTIVE	SOIC	DW	24	2000	RoHS & Green	NIPDAU	Level-1-260C-UNLIM	-55 to 125	CD4067BM	Samples
CD4067BM96G4	OBSOLETE	SOIC	DW	24		TBD	Call TI	Call TI	-55 to 125	CD4067BM	
CD4067BPW	OBSOLETE	TSSOP	PW	24		TBD	Call TI	Call TI	-55 to 125	CM067B	
CD4067BPWR	ACTIVE	TSSOP	PW	24	2000	RoHS & Green	NIPDAU	Level-1-260C-UNLIM	-55 to 125	CM067B	Samples
CD4097BF	ACTIVE	CDIP	J	24	15	Non-RoHS & Non-Green	Call TI	N / A for Pkg Type	-55 to 125	CD4097BF	Samples
CD4097BM	NRND	SOIC	DW	24	25	RoHS & Green	NIPDAU	Level-1-260C-UNLIM	-55 to 125	CD4097BM	
CD4097BME4	NRND	SOIC	DW	24	25	RoHS & Green	NIPDAU	Level-1-260C-UNLIM	-55 to 125	CD4097BM	
CD4097BMG4	NRND	SOIC	DW	24	25	RoHS & Green	NIPDAU	Level-1-260C-UNLIM	-55 to 125	CD4097BM	
CD4097BPW	NRND	TSSOP	PW	24	60	RoHS & Green	NIPDAU	Level-1-260C-UNLIM	-55 to 125	CM097B	
CD4097BPWR	NRND	TSSOP	PW	24	2000	RoHS & Green	NIPDAU	Level-1-260C-UNLIM	-55 to 125	CM097B	
CD4097BPWRE4	NRND	TSSOP	PW	24	2000	RoHS & Green	NIPDAU	Level-1-260C-UNLIM	-55 to 125	CM097B	

(1) The marketing status values are defined as follows:

ACTIVE: Product device recommended for new designs.

LIFEBUY: TI has announced that the device will be discontinued, and a lifetime-buy period is in effect.

NRND: Not recommended for new designs. Device is in production to support existing customers, but TI does not recommend using this part in a new design.

PREVIEW: Device has been announced but is not in production. Samples may or may not be available.

OBSOLETE: TI has discontinued the production of the device.

(2) **RoHS:** TI defines "RoHS" to mean semiconductor products that are compliant with the current EU RoHS requirements for all 10 RoHS substances, including the requirement that RoHS substance do not exceed 0.1% by weight in homogeneous materials. Where designed to be soldered at high temperatures, "RoHS" products are suitable for use in specified lead-free processes. TI may reference these types of products as "Pb-Free".

RoHS Exempt: TI defines "RoHS Exempt" to mean products that contain lead but are compliant with EU RoHS pursuant to a specific EU RoHS exemption.

Green: TI defines "Green" to mean the content of Chlorine (Cl) and Bromine (Br) based flame retardants meet JS709B low halogen requirements of <=1000ppm threshold. Antimony trioxide based flame retardants must also meet the <=1000ppm threshold requirement.

- (3) MSL, Peak Temp. - The Moisture Sensitivity Level rating according to the JEDEC industry standard classifications, and peak solder temperature.
- (4) There may be additional marking, which relates to the logo, the lot trace code information, or the environmental category on the device.
- (5) Multiple Device Markings will be inside parentheses. Only one Device Marking contained in parentheses and separated by a "~" will appear on a device. If a line is indented then it is a continuation of the previous line and the two combined represent the entire Device Marking for that device.
- (6) Lead finish/Ball material - Orderable Devices may have multiple material finish options. Finish options are separated by a vertical ruled line. Lead finish/Ball material values may wrap to two lines if the finish value exceeds the maximum column width.

Important Information and Disclaimer:The information provided on this page represents TI's knowledge and belief as of the date that it is provided. TI bases its knowledge and belief on information provided by third parties, and makes no representation or warranty as to the accuracy of such information. Efforts are underway to better integrate information from third parties. TI has taken and continues to take reasonable steps to provide representative and accurate information but may not have conducted destructive testing or chemical analysis on incoming materials and chemicals. TI and TI suppliers consider certain information to be proprietary, and thus CAS numbers and other limited information may not be available for release.

In no event shall TI's liability arising out of such information exceed the total purchase price of the TI part(s) at issue in this document sold by TI to Customer on an annual basis.

OTHER QUALIFIED VERSIONS OF CD4067B, CD4067B-MIL, CD4097B, CD4097B-MIL :

- Catalog : [CD4067B](#), [CD4097B](#)
- Military : [CD4067B-MIL](#), [CD4097B-MIL](#)

NOTE: Qualified Version Definitions:

- Catalog - TI's standard catalog product
- Military - QML certified for Military and Defense Applications

TAPE AND REEL INFORMATION

QUADRANT ASSIGNMENTS FOR PIN 1 ORIENTATION IN TAPE


*All dimensions are nominal

Device	Package Type	Package Drawing	Pins	SPQ	Reel Diameter (mm)	Reel Width W1 (mm)	A0 (mm)	B0 (mm)	K0 (mm)	P1 (mm)	W (mm)	Pin1 Quadrant
CD4067BPWR	TSSOP	PW	24	2000	330.0	16.4	6.95	8.3	1.6	8.0	16.0	Q1
CD4097BPWR	TSSOP	PW	24	2000	330.0	16.4	6.95	8.3	1.6	8.0	16.0	Q1

TAPE AND REEL BOX DIMENSIONS


*All dimensions are nominal

Device	Package Type	Package Drawing	Pins	SPQ	Length (mm)	Width (mm)	Height (mm)
CD4067BPWR	TSSOP	PW	24	2000	356.0	356.0	35.0
CD4097BPWR	TSSOP	PW	24	2000	356.0	356.0	35.0

TUBE


*All dimensions are nominal

Device	Package Name	Package Type	Pins	SPQ	L (mm)	W (mm)	T (μm)	B (mm)
CD4097BM	DW	SOIC	24	25	506.98	12.7	4826	6.6
CD4097BME4	DW	SOIC	24	25	506.98	12.7	4826	6.6
CD4097BMG4	DW	SOIC	24	25	506.98	12.7	4826	6.6
CD4097BPW	PW	TSSOP	24	60	530	10.2	3600	3.5

DW (R-PDSO-G24)

PLASTIC SMALL OUTLINE

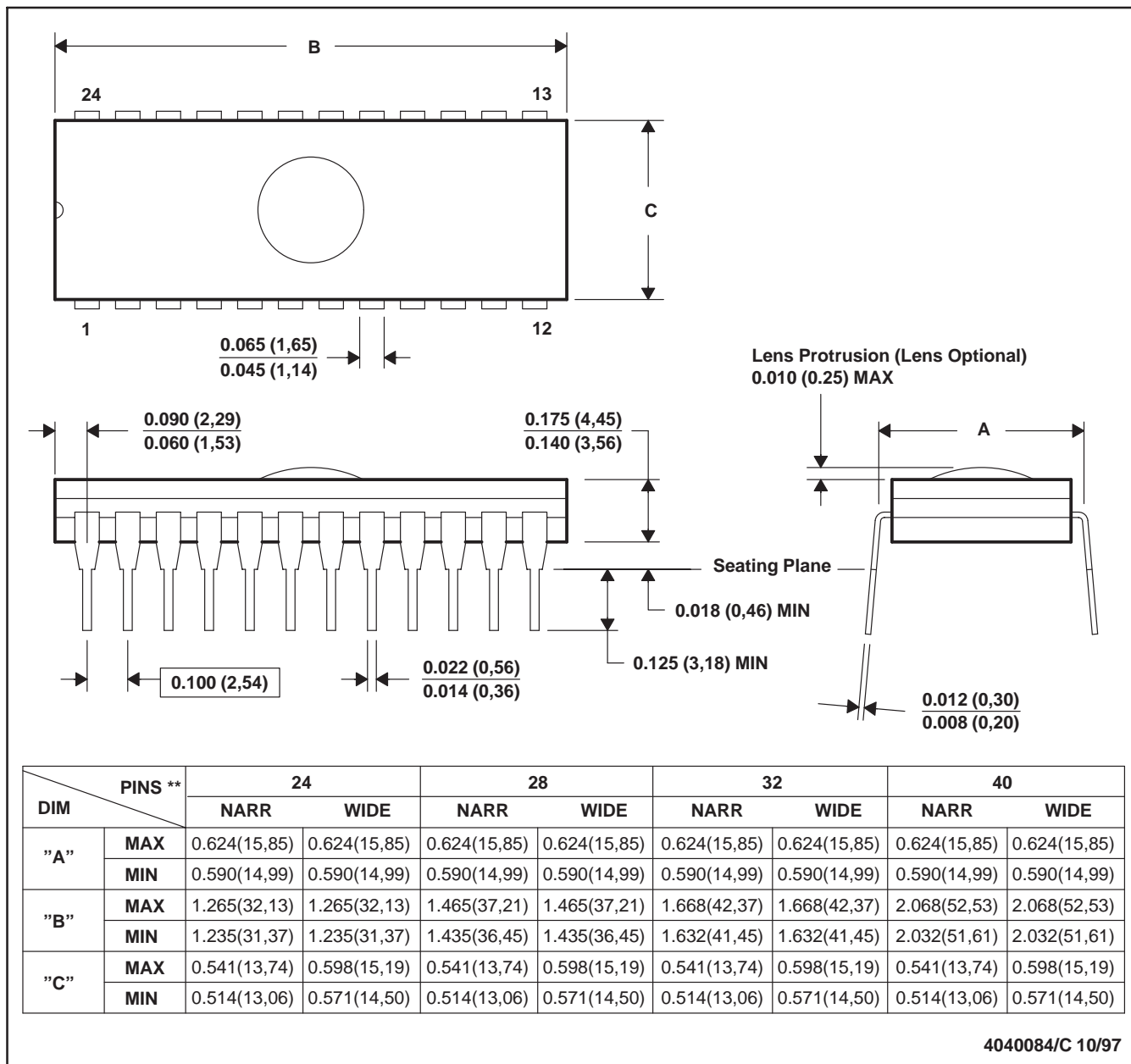


- NOTES:
- A. All linear dimensions are in inches (millimeters). Dimensioning and tolerancing per ASME Y14.5M-1994.
 - B. This drawing is subject to change without notice.
 - C. Body dimensions do not include mold flash or protrusion not to exceed 0.006 (0,15).
 - D. Falls within JEDEC MS-013 variation AD.

J (R-GDIP-T**)

CERAMIC DUAL-IN-LINE PACKAGE

24 PINS SHOWN



- NOTES: A. All linear dimensions are in inches (millimeters).
 B. This drawing is subject to change without notice.
 C. Window (lens) added to this group of packages (24-, 28-, 32-, 40-pin).
 D. This package can be hermetically sealed with a ceramic lid using glass frit.
 E. Index point is provided on cap for terminal identification.

PW0024A



PACKAGE OUTLINE

TSSOP - 1.2 mm max height

SMALL OUTLINE PACKAGE



4220208/A 02/2017

NOTES:

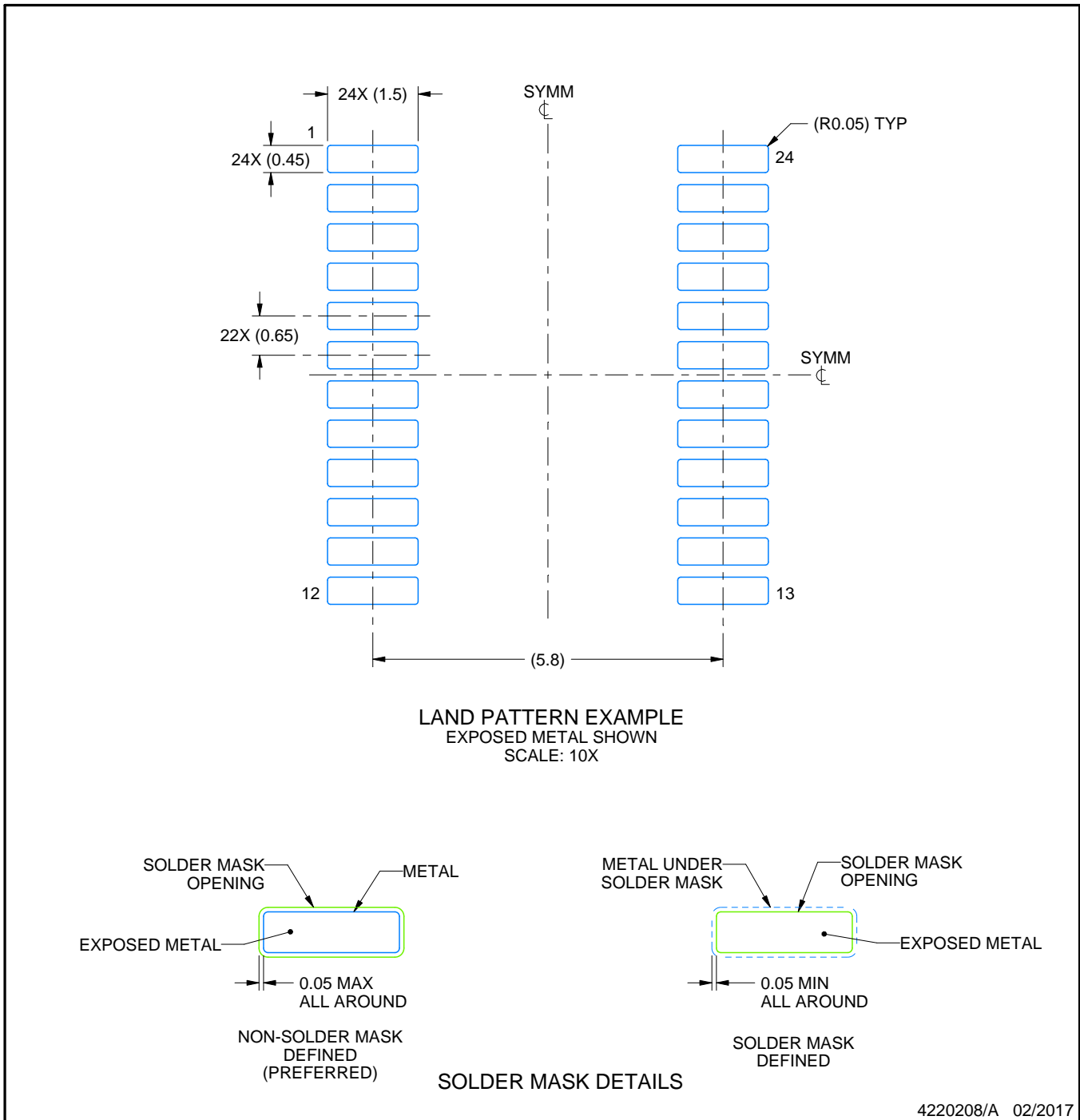
1. All linear dimensions are in millimeters. Any dimensions in parenthesis are for reference only. Dimensioning and tolerancing per ASME Y14.5M.
2. This drawing is subject to change without notice.
3. This dimension does not include mold flash, protrusions, or gate burrs. Mold flash, protrusions, or gate burrs shall not exceed 0.15 mm per side.
4. This dimension does not include interlead flash. Interlead flash shall not exceed 0.25 mm per side.
5. Reference JEDEC registration MO-153.

EXAMPLE BOARD LAYOUT

PW0024A

TSSOP - 1.2 mm max height

SMALL OUTLINE PACKAGE



NOTES: (continued)

- 6. Publication IPC-7351 may have alternate designs.
- 7. Solder mask tolerances between and around signal pads can vary based on board fabrication site.

EXAMPLE STENCIL DESIGN

PW0024A

TSSOP - 1.2 mm max height

SMALL OUTLINE PACKAGE



NOTES: (continued)

8. Laser cutting apertures with trapezoidal walls and rounded corners may offer better paste release. IPC-7525 may have alternate design recommendations.
9. Board assembly site may have different recommendations for stencil design.

重要なお知らせと免責事項

テキサス・インスツルメンツは、技術データと信頼性データ(データシートを含みます)、設計リソース(リファレンス デザインを含みます)、アプリケーションや設計に関する各種アドバイス、Web ツール、安全性情報、その他のリソースを、欠陥が存在する可能性のある「現状のまま」提供しており、商品性および特定目的に対する適合性の黙示保証、第三者の知的財産権の非侵害保証を含むいかなる保証も、明示的または黙示的にかかわらず拒否します。

これらのリソースは、テキサス・インスツルメンツ製品を使用する設計の経験を積んだ開発者への提供を意図したものです。(1) お客様のアプリケーションに適したテキサス・インスツルメンツ製品の選定、(2) お客様のアプリケーションの設計、検証、試験、(3) お客様のアプリケーションに該当する各種規格や、その他のあらゆる安全性、セキュリティ、規制、または他の要件への確実な適合に関する責任を、お客様のみが単独で負うものとし、ます。

上記の各種リソースは、予告なく変更される可能性があります。これらのリソースは、リソースで説明されているテキサス・インスツルメンツ製品を使用するアプリケーションの開発の目的でのみ、テキサス・インスツルメンツはその使用をお客様に許諾します。これらのリソースに関して、他の目的で複製することや掲載することは禁止されています。テキサス・インスツルメンツや第三者の知的財産権のライセンスが付与されている訳ではありません。お客様は、これらのリソースを自身で使用した結果発生するあらゆる申し立て、損害、費用、損失、責任について、テキサス・インスツルメンツおよびその代理人を完全に補償するものとし、テキサス・インスツルメンツは一切の責任を拒否します。

テキサス・インスツルメンツの製品は、[テキサス・インスツルメンツの販売条件](#)、または [ti.com](https://www.ti.com) やかかるテキサス・インスツルメンツ製品の関連資料などのいずれかを通じて提供する適用可能な条項の下で提供されています。テキサス・インスツルメンツがこれらのリソースを提供することは、適用されるテキサス・インスツルメンツの保証または他の保証の放棄の拡大や変更を意味するものではありません。

お客様がいかなる追加条項または代替条項を提案した場合でも、テキサス・インスツルメンツはそれらに異議を唱え、拒否します。

郵送先住所：Texas Instruments, Post Office Box 655303, Dallas, Texas 75265
Copyright © 2025, Texas Instruments Incorporated