

bq25703A I2Cマルチケミストリ・バッテリー昇降圧型充電コントローラ、システム電力モニタおよびプロセッサ過熱モニタ搭載

1 特長

- 1~4セルのバッテリーを広範囲の入力電源から充電
 - 3.5V~24Vの入力動作電圧範囲
 - USB2.0、USB 3.0、USB 3.1 (Type C)、USB_PD入力電流設定に対応
 - 降圧と昇圧の動作間のシームレスな移行
 - ソース過負荷に対する入力電流および電圧のレギュレーション(IDPMおよびVDPM)
- 電力/電流モニタによるCPUスロットル処理
 - 包括的なPROCHOTプロファイル、IMVP8準拠
 - 入力およびバッテリー電流モニタ
 - システム電力モニタ、IMVP8準拠
- Narrow-VDC (NVDC)電力パスの管理
 - バッテリー未接続または深放電状態でも即時オン
 - アダプタの過負荷時にバッテリーでシステムを補完
- バッテリーからUSBポートへの電源供給(USB OTG)
 - 4.48V~20.8VでUSB PD互換の出力
 - 最大6.35Aの出力電流制限
- 800kHzまたは1.2MHzに設定可能なスイッチング周波数により1 μ H~3.3 μ Hのインダクタに対応
- ホスト制御インターフェイスによる柔軟なシステム構成
 - I2C (bq25703A)ポートによる最適なシステム性能およびステータス・レポート
 - EC制御なしでハードウェア・ピンにより入力電流制限を設定
- 内蔵されたADCにより電圧、電流、電力を監視
- 高精度のレギュレーションと監視
 - $\pm 0.5\%$ の充電電圧レギュレーション
 - $\pm 2\%$ の入力/充電電流レギュレーション
 - $\pm 2\%$ の入力/充電電流監視
 - $\pm 5\%$ の電力監視
- 安全性
 - サーマル・シャットダウン
 - 入力、システム、バッテリーの過電圧保護
 - MOSFETインダクタの過電流保護
- バッテリーの低い静止電流

- 入力電流最適化(ICO)により最大の入力電力を抽出
- 任意の化学方式のバッテリーを充電: Li+、LiFePO4、NiCd、NiMH、鉛蓄電池
- パッケージ: 32ピン4x4 WQFN

2 アプリケーション

- ドローン、Bluetoothスピーカー、IPカメラ、脱着可能PC、タブレットPC、パワー・バンク
- 産業用および医療用機器
- 充電式バッテリー搭載の携帯機器

3 概要

bq25703Aは同期整流NVDCバッテリー昇降圧型充電コントローラで、スペースに制約があり多種類のバッテリーに対応する充電アプリケーション向けに、部品数が少なく、効率の高いソリューションを構築できます。

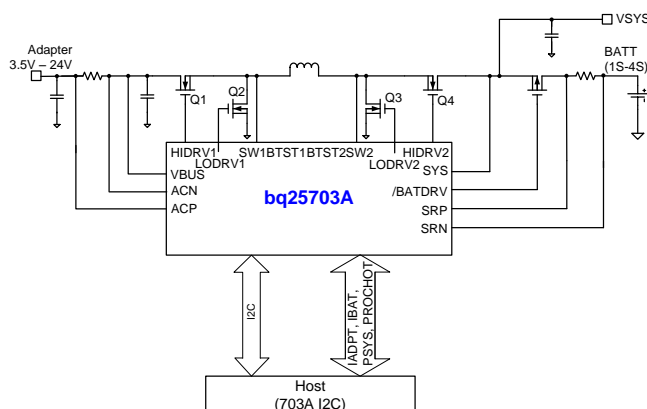
NVDC-1構成により、システムをバッテリーの電圧にレギュレートしながら、システムの最低電圧を下回らないように維持できます。バッテリーが完全に放電した場合や取り外された場合でも、システムは動作を続けられます。負荷電力が入力電源の定格を超過すると、バッテリーが補完モードに移行し、システムの故障を防止します。

製品情報 (1)

| 型番 | パッケージ | 本体サイズ(公称) |
|----------|-----------|---------------|
| bq25703A | WQFN (32) | 4.00mmx4.00mm |

(1) 提供されているすべてのパッケージについては、巻末の注文情報を参照してください。

アプリケーション図



Copyright © 2017, Texas Instruments Incorporated



目次

| | | | | | |
|-----|--|----|------|---------------------------------------|----|
| 1 | 特長 | 1 | 8.5 | Programming | 31 |
| 2 | アプリケーション | 1 | 8.6 | Register Map | 34 |
| 3 | 概要 | 1 | 9 | Application and Implementation | 68 |
| 4 | 改訂履歴 | 2 | 9.1 | Application Information | 68 |
| 5 | 概要 (続き) | 5 | 9.2 | Typical Application | 68 |
| 6 | Pin Configuration and Functions | 6 | 10 | Power Supply Recommendations | 75 |
| 7 | Specifications | 9 | 11 | Layout | 76 |
| 7.1 | Absolute Maximum Ratings | 9 | 11.1 | Layout Guidelines | 76 |
| 7.2 | ESD Ratings | 9 | 11.2 | Layout Example | 76 |
| 7.3 | Recommended Operating Conditions | 9 | 12 | デバイスおよびドキュメントのサポート | 78 |
| 7.4 | Thermal Information | 10 | 12.1 | デバイス・サポート | 78 |
| 7.5 | Electrical Characteristics | 10 | 12.2 | ドキュメントのサポート | 78 |
| 7.6 | Timing Requirements | 18 | 12.3 | ドキュメントの更新通知を受け取る方法 | 78 |
| 7.7 | Typical Characteristics | 19 | 12.4 | コミュニティ・リソース | 78 |
| 8 | Detailed Description | 22 | 12.5 | 商標 | 78 |
| 8.1 | Overview | 22 | 12.6 | 静電気放電に関する注意事項 | 78 |
| 8.2 | Functional Block Diagram | 23 | 12.7 | Glossary | 78 |
| 8.3 | Feature Description | 24 | 13 | メカニカル、パッケージ、および注文情報 | 79 |
| 8.4 | Device Functional Modes | 30 | 13.1 | Package Option Addendum | 80 |

4 改訂履歴

資料番号末尾の英字は改訂を表しています。その改訂履歴は英語版に準じています。

2017年5月発行のものから更新

| | Page |
|--|------|
| • 「特長」から「補完モードでの理想的なダイオード動作」を削除 | 1 |
| • 「特長」の「薄型」を削除、「2.2μH~3.3μH」を変更 | 1 |
| • 「特長」に「内蔵されたADCにより電圧、電流、電力を監視」を追加 | 1 |
| • 「アプリケーション」に「脱着可能PC、タブレットPC、パワー・バンク」を追加 | 1 |
| • 「概要」の「入力電源の過負荷」を「システムの故障」に変更 | 1 |
| • アプリケーション図の「703 I2C」を「703A I2C」に変更 | 1 |
| • Changed 18.5 V for 3-cell to 19.5 V for 3-cell and 4-cell in CELL_BATPRESZ description | 6 |
| • Changed I to O for CMPOUT I/O | 7 |
| • Changed $V_{(IADP)}$ to $V_{(IADPT)}$ in IADPT description | 7 |
| • Deleted minimum 10-ms and added minimum to PROCHOT description | 7 |
| • Changed 10-Ω to 10-mΩ in $I_{DPM_REG_ACC}$ in Electrical Characteristics | 11 |
| • Changed 10-Ω to 10-mΩ for $I_{DPM_REG_ACC_ILIM}$ in Electrical Characteristics | 11 |
| • Changed REG0x07/06 to REG0x0B/0A in $V_{DPM_REG_ACC}$ Test Conditions in Electrical Characteristics | 12 |
| • Changed REG0x0B/0A to REG0x07/06 in $V_{OTG_REG_ACC}$ Test Conditions in Electrical Characteristics | 12 |
| • Changed REG0x01[7] = 0 to REG0x01[7] = 1 in Test Conditions for $I_{BAT_BATFET_ON}$ | 12 |
| • Changed I_{BATOV} test condition from: on SRP and SRN to: on VSYS pin | 15 |
| • Changed Q3 to ACX in CONVERTER OVER-CURRENT COMPARATOR (ACX) in Electrical Characteristics | 16 |
| • Added overbar to (BATDRV) in heading | 17 |
| • 追加 overbar to PROCHOT in Overview | 22 |
| • 変更 After CHRГ_OK goes HIGH to When CHRГ_OK goes LOW in Input Voltage and Current Limit Setup | 24 |
| • 変更 表 1 | 24 |
| • 変更 19.5 to 19.5V in 3S row SYSOVP column in 表 1 | 24 |
| • 変更 0 to 0 A, lowside to low-side, and LSFET turn-on to LSFET turn-on when the HSFET is off in Continuous Conduction Mode (CCM) | 25 |

改訂履歴 (continued)

| | |
|--|----|
| • 変更 Pulse Frequency Modulation (PFM) | 25 |
| • 変更 during forward mode to during forward supplement mode in High-Accuracy Current Sense Amplifier (IADPT and IBAT) | 26 |
| • 変更 REG0x33[5] to REG0x33[5](EN_PKPWR_IDPM) or REG0x33[4](EN_PKPWR_VSYS) in Two-Level Adapter Current Limit (Peak Power Mode) | 26 |
| • 追加 last sentence to Two-Level Adapter Current Limit (Peak Power Mode) | 26 |
| • 変更 Processor Hot Indication | 27 |
| • 変更 IADP to IADPT in 図 13 | 28 |
| • 変更 bq2570x to bq2570xA in 図 14 | 29 |
| • 追加 overbar to PROCHOT in PROCHOT Status | 29 |
| • 変更 subscript of I_{LIM2_VTH} in Input Overcurrent Protection (ACOC) | 29 |
| • 変更 bq25700 to bq25703A and 3s – 18.5 V to 3s/4s – 19.5 V in System Overvoltage Protection (SYSOVP) | 30 |
| • 追加 REG to Battery Charging | 30 |
| • 変更 The SMBUS address is 12h (0001001_X), where X is the read/write bit. to The I2C address is D6h (1101101_X), where X is the read/write bit. in Programming | 31 |
| • 追加 h suffix to addresses in ADDR column in 表 4 | 34 |
| • 変更 0 mA – 6350 mA to 50 mA – 6400 mA for 0F/0Eh in 表 4 | 35 |
| • 変更 Device Address to DeviceID for 2Fh in 表 4 | 35 |
| • 変更 I2C address from 01h/00h to 01/00h in 図 23 | 36 |
| • 変更 bit numbers from 15-8 to 7-0 in 図 23 | 36 |
| • 追加 <default at POR> to PWM_FREQ description in 表 5 | 37 |
| • 追加 sentence to IBAT_GAIN description in 表 6 | 37 |
| • 変更 LDO to internal resistor in EN_LDO description in 表 6 | 37 |
| • 変更 I2C address from 31h/30h to 31/30h in ChargeOption1 Register (I2C address = 31/30h) [reset = 211h] | 38 |
| • 変更 bit numbers from 15-8 to 7-0 in 図 24 | 38 |
| • 削除 Independent Comparator Reference in 表 8 | 38 |
| • 変更 2.4 V and 1.3 V to 2.3 V and 1.2 V for CMP_REF in 表 8 | 38 |
| • 削除 Independent Comparator Polarity in 表 8 | 39 |
| • 削除 Independent Comparator Deglitch Time in 表 8 | 39 |
| • 追加 independent to FORCE_LATCHOFF description in 表 8 | 39 |
| • 変更 I2C address from 33h/32h to 33/32h in ChargeOption2 Register (I2C address = 33/32h) [reset = 2B7] | 40 |
| • 変更 bit numbers from 15-8 to 7-0 in 図 25 | 40 |
| • 変更 I2C address from 35h/34h to 35/34h in ChargeOption3 Register (I2C address = 35/34h) [reset = 0h] | 42 |
| • 変更 bit numbers from 15-8 to 7-0 in 図 26 | 42 |
| • 追加 <default at POR> to BATFETOFF_HIZ description in 表 12 | 42 |
| • 追加 <default at POR> to PSYS_OTG_IDCHG description in 表 12 | 42 |
| • 変更 I2C address from 37h/36h to 37/36h in ChargeOption3 Register (I2C address = 35/34h) [reset = 0h] | 43 |
| • 変更 bit numbers from 15-11 to 7-3, 10-9 to 2-1, 8 to 0 in 図 27 | 43 |
| • 追加 PROCHOT Pulse Extension Enable to EN_PROCHOT_EXT description in 表 14 | 43 |
| • 変更 I2C address from 39h/38h to 39/38h in ProchotOption1 Register (I2C address = 39/38h) [reset = 8120h] | 45 |
| • 変更 bit numbers from 15-10 to 7-2, 9-8 to 1-0 in 図 28 | 45 |
| • 追加 There is a 128 mA offset. to IDCHG_VTH description in 表 15 | 45 |
| • 変更 0 mA to 000000b in IDCHG_VTH description in 表 15 | 45 |
| • 変更 PROCHOT_PROFILE_ACOK description in 表 16 | 46 |
| • 変更 bit numbers from 15 to 7, 14 to 6, 13 to 5 and 12-8 to 4-0 in 図 29 | 47 |
| • 変更 bit numbers from 15-8 to 7-0 in 図 30 | 49 |

改訂履歴 (continued)

| | |
|---|----|
| • 変更 bit numbers from 15-8 to 7-0 in 図 31 | 51 |
| • 変更 text in ChargeCurrent Register (I2C address = 03/02h) [reset = 0h] | 52 |
| • 変更 bit numbers from 15-8 to 7-0 in 図 32 | 52 |
| • 削除 Upon POR or when charge is disabled, the system is regulated at the MaxChargeVoltage register. from MaxChargeVoltage Register (I2C address = 05/04h) [reset value based on CELL_BATPRESZ pin setting] | 54 |
| • 変更 bit numbers from 15-8 to 7-0 in 図 33 | 54 |
| • 変更 bit numbers from 15-8 to 7-0 in 図 34 | 56 |
| • 削除 text and changed larger to 20-mΩ in Input Current Registers | 57 |
| • 追加 paragraph to IIN_HOST Register With 10-mΩ Sense Resistor (I2C address = 0F/0Eh) [reset = 4000h] | 58 |
| • 変更 bit numbers from 15-8 to 7-0 in 図 35 | 58 |
| • 変更 bit numbers from 15-8 to 7-0 in 図 36 | 59 |
| • 変更 bit numbers from 15-8 to 7-0 in 図 37 | 60 |
| • 変更 bit numbers from 15-8 to 7-0 in 図 38 | 61 |
| • 変更 bit numbers from 15-8 to 7-0 in 図 39 | 62 |
| • 変更 I2C address to 27/26h in ADCVBUS/PSYS Register (I2C address = 27/26h) | 63 |
| • 変更 bit numbers from 15-8 to 7-0 in 図 40 | 63 |
| • 変更 ADCVBUS/PSYS Register Field Descriptions into two tables | 63 |
| • 変更 I2C address to 29/28h in ADCIBAT Register (I2C address = 29/28h) | 64 |
| • 変更 bit numbers from 15-8 to 7-0 in 図 41 | 64 |
| • 変更 ADCIBAT Register Field Descriptions into two tables..... | 64 |
| • 変更 I2C address to 2B/2Ah in ADCIINCPIN Register (I2C address = 2B/2Ah) | 65 |
| • 変更 bit numbers from 15-8 to 7-0 in 図 42 | 65 |
| • 変更 ADCIINCPIN Register Field Descriptions into two tables | 65 |
| • 変更 I2C address to 2D/2Ch in ADCVSYVBAT Register (I2C address = 2D/2Ch) | 66 |
| • 変更 bit numbers from 15-8 to 7-0 in 図 43 | 66 |
| • 変更 ADCVSYVBAT Register Field Descriptions into two tables..... | 66 |
| • 変更 bit numbers from 15-8 to 7-0 in 図 44 | 67 |
| • 削除 15-8, Reserved, and R from 図 45 | 67 |
| • 削除 15-8, Reserved, and R from 表 48 | 67 |
| • 変更 図 46 | 68 |
| • 変更 Minimum System Voltage from 614 mV to 6144 mV in Design Requirements | 69 |
| • 削除 Input Snubber and Filter for Voltage Spike Damping section | 69 |
| • 変更 図 47 | 69 |
| • 追加 Bulk input capacitors should be locate in front of input current sensing resistor. Do not recommend to put bulk input capacitors between input sensing resistor and switching MOSFET. to Input Capacitor | 70 |
| • 変更 Minimum 4 - 6 pcs of 10-μF 0805 size capacitor is suggested for 45 - 65 W adapter design. to Minimum 10-μF effective capacitance (7 pcs of 10-μF 0805 size capacitor) is suggested for 45 W-65 W adapter. in Input Capacitor | 70 |
| • 変更 Minimum 6 pcs of 10-μF 0805 size capacitor is suggested to be placed by the inductor. to Minimum 10-μF effective capacitance (7 pcs of 10-μF 0805 size capacitor) is suggested to be placed by the inductor, and 50-μF effective distributed capacitance on Vsys output. in Output Capacitor | 70 |

5 概要（続き）

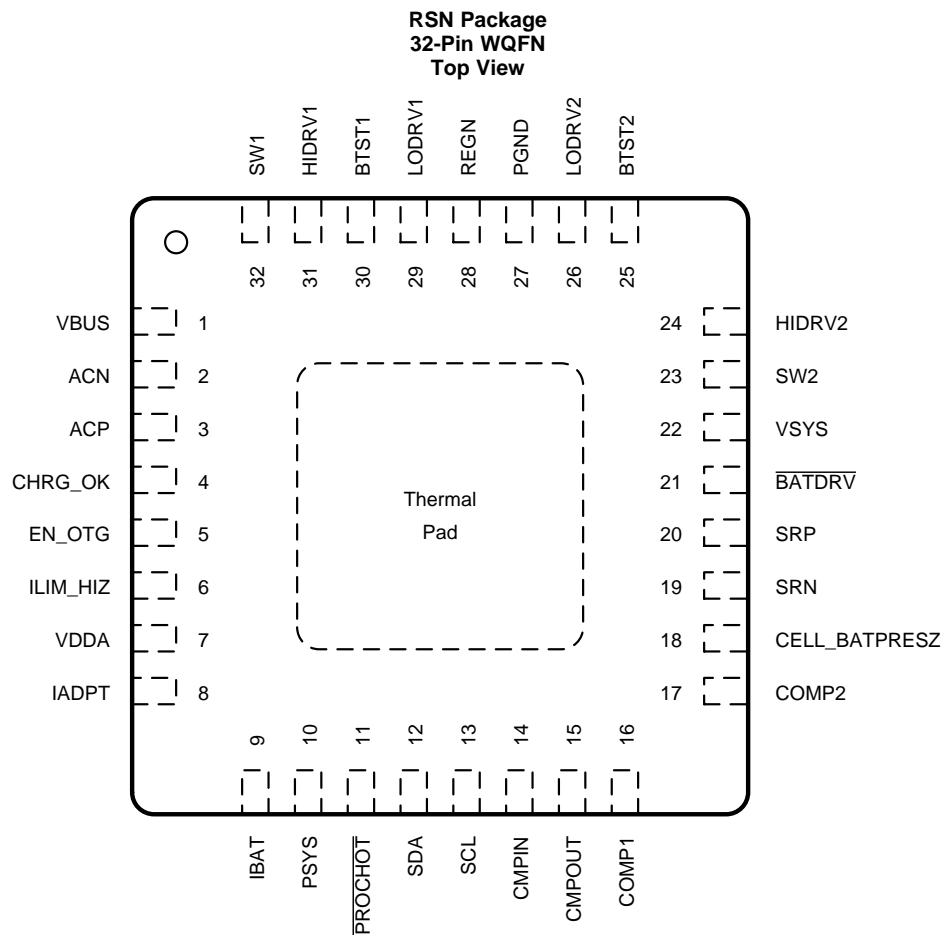
bq25703AはUSBアダプタ、高電圧USB PDソース、従来型のアダプタなど、広範な入力電源からバッテリーを充電します。

電源投入時に、充電器は電源およびバッテリーの状況に基づいてコンバータを降圧、昇圧、昇降圧型のいずれかの構成に設定します。充電器はホストの制御なしに、降圧、昇圧、昇降圧型の構成間を自動的に遷移します。

入力電源が存在しないとき、bq25703Aは1～4セルのバッテリーからのOn-the-Go (OTG)機能をサポートし、VBUS上に4.48V～20.8Vを出力します。OTGモードでは、充電器は出力電圧と出力電流をレギュレートします。

bq25703Aはアダプタの電流、バッテリーの電流、システムの電力を監視します。柔軟にプログラムされるPROCHOT出力は、必要に応じてスロットル・バックのためCPUへ直接接続できます。

6 Pin Configuration and Functions



Pin Functions

| PIN | | I/O | DESCRIPTION |
|----------------------------|--------|-----|--|
| NAME | NUMBER | | |
| ACN | 2 | PWR | Input current sense resistor negative input. The leakage on ACP and ACN are matched. The series resistors on the ACP and ACN pins are placed between sense resistor and filter cap. Refer to Application and Implementation for ACP/ACN filter design. |
| ACP | 3 | PWR | Input current sense resistor positive input. The leakage on ACP and ACN are matched. The series resistors on the ACP and ACN pins are placed between sense resistor and filter cap. Refer to Application and Implementation for ACP/ACN filter design. |
| $\overline{\text{BATDRV}}$ | 21 | O | P-channel battery FET (BATFET) gate driver output. It is shorted to VSYS to turn off the BATFET. It goes 10 V below VSYS to fully turn on BATFET. BATFET is in linear mode to regulate VSYS at minimum system voltage when battery is depleted. BATFET is fully on during fast charge and supplement mode. |
| BTST1 | 30 | PWR | Buck mode high side power MOSFET driver power supply. Connect a 0.047- μF capacitor between SW1 and BTST1. The bootstrap diode between REGN and BTST1 is integrated. |
| BTST2 | 25 | PWR | Boost mode high side power MOSFET driver power supply. Connect a 0.047- μF capacitor between SW2 and BTST2. The bootstrap diode between REGN and BTST2 is integrated. |
| CELL_BATPRESZ | 18 | I | Battery cell selection pin for 1–4 cell battery setting. CELL_BATPRESZ pin is biased from VDDA. CELL_BATPRESZ pin also sets SYSOVP threshold to 5 V for 1-cell, 12 V for 2-cell, and 19.5 V for 3-cell/4-cell. CELL_BATPRESZ pin is pulled below $V_{\text{CELL_BATPRESZ_FALL}}$ to indicate battery removal. The device exits LEARN mode, and disables charge. REG0x05/04() goes back to default. |

Pin Functions (continued)

| PIN | | I/O | DESCRIPTION |
|----------|--------|-----|---|
| NAME | NUMBER | | |
| CHRG_OK | 4 | O | Open drain active high indicator to inform the system good power source is connected to the charger input. Connect to the pullup rail via 10-kΩ resistor. When VBUS rises above 3.5V or falls below 24.5V, CHRG_OK is HIGH after 50ms deglitch time. When VBUS is falls below 3.2 V or rises above 26 V, CHRG_OK is LOW. When fault occurs, CHRG_OK is asserted LOW. |
| CMPIN | 14 | I | Input of independent comparator. The independent comparator compares the voltage sensed on CMPIN pin to internal reference, and its output is on CMPOUT pin. Internal reference, output polarity and deglitch time is selectable by I2C. With polarity HIGH (REG0x30[6] = 1), place a resistor between CMPIN and CMPOUT to program hysteresis. With polarity LOW (REG0x30[6] = 0), the internal hysteresis is 100 mV. If the independent comparator is not in use, tie CMPIN to ground. |
| CMPOUT | 15 | O | Open-drain output of independent comparator. Place pullup resistor from CMPOUT to pullup supply rail. Internal reference, output polarity and deglitch time are selectable by I2C. |
| COMP2 | 17 | I | Buck boost converter compensation pin 2. Refer to bq25700 EVM schematic for COMP2 pin RC network. |
| COMP1 | 16 | I | Buck boost converter compensation pin 1. Refer to bq25700 EVM schematic for COMP1 pin RC network. |
| EN_OTG | 5 | I | Active HIGH to enable OTG mode. When EN_OTG pin is HIGH and REG0x35[4] is HIGH, OTG can be enabled, refer to USB On-The-Go (OTG) for details of how to enable OTG function |
| HIDRV1 | 31 | O | Buck mode high side power MOSFET (Q1) driver. Connect to high side n-channel MOSFET gate. |
| HIDRV2 | 24 | O | Boost mode high side power MOSFET(Q4) driver. Connect to high side n-channel MOSFET gate. |
| IADPT | 8 | I/O | Buffered adapter current output. $V_{(IADPT)} = 20 \text{ or } 40 \times (V_{(ACP)} - V_{(ACN)})$. With ratio selectable in REG0x00[4]. Place a resistor from the IADPT pin to ground corresponding to inductor in use. For 2.2 μH, the resistor is 137 kΩ. Place 100-pF or less ceramic decoupling capacitor from IADPT pin to ground. IADPT output voltage is clamped below 3.3 V. |
| IBAT | 9 | O | Buffered battery current selected by I2C. $V_{(IBAT)} = 8 \text{ or } 16 \times (V_{(SRP)} - V_{(SRN)})$ for charge current, or $V_{(IBAT)} = 8 \text{ or } 16 \times (V_{(SRN)} - V_{(SRP)})$ for discharge current, with ratio selectable in REG0x00[3]. Place 100-pF or less ceramic decoupling capacitor from IBAT pin to ground. This pin can be floating if not in use. Its output voltage is clamped below 3.3 V. |
| ILIM_HIZ | 6 | I | Input current limit input. Program ILIM_HIZ voltage by connecting a resistor divider from supply rail to ILIM_HIZ pin to ground. The pin voltage is calculated as: $V_{(ILIM_HIZ)} = 1 \text{ V} + 40 \times \text{IDPM} \times \text{RAC}$, in which IDPM is the target input current. The input current limit used by the charger is the lower setting of ILIM_HIZ pin and REG0x0F() and REG0x0E(). When the pin voltage is below 0.4 V, the device enters Hi-Z mode with low quiescent current. When the pin voltage is above 0.8 V, the device is out of Hi-Z mode. |
| LODRV1 | 29 | O | Buck mode low side power MOSFET (Q2) driver. Connect to low side n-channel MOSFET gate. |
| LODRV2 | 26 | O | Boost mode low side power MOSFET (Q3) driver. Connect to low side n-channel MOSFET gate. |
| PGND | 27 | GND | Device power ground. |
| PROCHOT | 11 | O | Active low open drain output of processor hot indicator. It monitors adapter input current, battery discharge current, and system voltage. After any event in the PROCHOT profile is triggered, a pulse is asserted. The minimum pulse width is adjustable in REG0x36[5:2]. |
| PSYS | 10 | O | Current mode system power monitor. The output current is proportional to the total power from the adapter and battery. The gain is selectable through I2C. Place a resistor from PSYS to ground to generate output voltage. This pin can be floating if not in use. Its output voltage is clamped below 3.3 V. Place a capacitor in parallel with the resistor for filtering. |
| REGN | 28 | PWR | 6-V linear regulator output supplied from VBUS or VSYS. The LDO is active when VBUS above V_{VBUS_CONVEN} . Connect a 2.2- or 3.3-μF ceramic capacitor from REGN to power ground. REGN pin output is for power stage gate drive. |
| SCL | 13 | I | I2C clock input. Connect to clock line from the host controller or smart battery. Connect a 10-kΩ pullup resistor according to I2C specifications. |
| SDA | 12 | I/O | I2C open-drain data I/O. Connect to data line from the host controller or smart battery. Connect a 10-kΩ pullup resistor according to I2C specifications. |

Pin Functions (continued)

| PIN | | I/O | DESCRIPTION |
|-------------|--------|-----|--|
| NAME | NUMBER | | |
| SRN | 19 | PWR | Charge current sense resistor negative input. SRN pin is for battery voltage sensing as well. Connect SRN pin with optional 0.1- μ F ceramic capacitor to GND for common-mode filtering. Connect a 0.1- μ F ceramic capacitor from SRP to SRN to provide differential mode filtering. The leakage current on SRP and SRN are matched. For reverse battery plug-in protection, 10- Ω series resistors are placed on SRP and SRN. |
| SRP | 20 | PWR | Charge current sense resistor positive input. Connect 0.1- μ F ceramic capacitor from SRP to SRN to provide differential mode filtering. The leakage current on SRP and SRN are matched. For reverse battery plug-in protection, 10- Ω series resistors are placed on SRP and SRN. Connect SRP pin with optional 0.1- μ F ceramic capacitor to GND for common-mode filtering. |
| SW1 | 32 | PWR | Buck mode high side power MOSFET driver source. Connect to the source of the high side n-channel MOSFET. |
| SW2 | 23 | PWR | Boost mode high side power MOSFET driver source. Connect to the source of the high side n-channel MOSFET. |
| VBUS | 1 | PWR | Charger input voltage. An input low pass filter of 1 Ω and 0.47 μ F (minimum) is recommended. |
| VDDA | 7 | PWR | Internal reference bias pin. Connect a 10- Ω resistor from REGN to VDDA and a 1- μ F ceramic capacitor from VDDA to power ground. |
| VSYS | 22 | PWR | Charger system voltage sensing. The system voltage regulation limit is programmed in REG0x05/04() and REG0X0D/0C(). |
| Thermal pad | – | – | Exposed pad beneath the IC. Analog ground and power ground star-connected near the IC's ground. Always solder thermal pad to the board, and have vias on the thermal pad plane connecting to power ground planes. It also serves as a thermal pad to dissipate the heat. |

7 Specifications

7.1 Absolute Maximum Ratings

over operating free-air temperature range (unless otherwise noted)⁽¹⁾⁽²⁾

| | | MIN | MAX | UNIT |
|--|---|------|-----|------|
| Voltage | SRN, SRP, ACN, ACP, VBUS, VSYS, $\overline{\text{BATDRV}}$ | -0.3 | 30 | V |
| | SW1, SW2 | -2.0 | 30 | |
| | BTST1, BTST2, HIDRV1, HIDRV2 | -0.3 | 36 | |
| | LODRV1, LODRV2 (2% duty cycle) | -4.0 | 7 | |
| | HIDRV1, HIDRV2 (2% duty cycle) | -4.0 | 36 | |
| | SW1, SW2 (2% duty cycle) | -4.0 | 30 | |
| | SDA, SCL, REGN, CHRГ_OK, CELL_BATPRESZ, ILIM_HIZ, LODRV1, LODRV2, VDDA, COMP1, COMP2, CMPIN, CMPOUT, EN_OTG | -0.3 | 7 | |
| | $\overline{\text{PROCHOT}}$ | -0.3 | 5.5 | |
| | IADPT, IBAT, PSYS | -0.3 | 3.6 | |
| Differential voltage | BTST1-SW1, BTST2-SW2, HIDRV1-SW1, HIDRV2-SW2 | -0.3 | 7 | V |
| | SRP-SRN, ACP-ACN | -0.5 | 0.5 | |
| Junction temperature range, T _J | | -40 | 155 | °C |
| Storage temperature, T _{stg} | | -40 | 155 | °C |

- Stresses beyond those listed under *Absolute Maximum Ratings* may cause permanent damage to the device. These are stress ratings only, which do not imply functional operation of the device at these or any other conditions beyond those indicated under *Recommended Operating Conditions*. Exposure to absolute-maximum-rated conditions for extended periods may affect device reliability.
- All voltages are with respect to GND if not specified. Currents are positive into, negative out of the specified terminal. Consult Packaging Section of the data book for thermal limitations and considerations of packages.

7.2 ESD Ratings

| | | VALUE | UNIT |
|--|--|-------|------|
| V _(ESD) Electrostatic discharge | Human-body model (HBM), per ANSI/ESDA/JEDEC JS-001 ⁽¹⁾ | ±2000 | V |
| | Charged-device model (CDM), per JEDEC specification JESD22-C101 ⁽²⁾ | ±500 | |

- JEDEC document JEP155 states that 500-V HBM allows safe manufacturing with a standard ESD control process.
- JEDEC document JEP157 states that 250-V CDM allows safe manufacturing with a standard ESD control process.

7.3 Recommended Operating Conditions

over operating free-air temperature range (unless otherwise noted)

| | | MIN | MAX | UNIT |
|--|---|-------|------|------|
| Voltage | ACN, ACP, VBUS | 0 | 24 | V |
| | SRN, SRP, VSYS, $\overline{\text{BATDRV}}$ | 0 | 19.2 | |
| | SW1, SW2 | -2 | 24 | |
| | BTST1, BTST2, HIDRV1, HIDRV2 | 0 | 30 | |
| | SDA, SCL, REGN, CHRГ_OK, CELL_BATPRESZ, ILIM_HIZ, LODRV1, LODRV2, VDDA, COMP1, COMP2, CMPIN, CMPOUT | 0 | 6.5 | |
| | $\overline{\text{PROCHOT}}$ | 0 | 5.3 | |
| | IADPT, IBAT, PSYS | 0 | 3.3 | |
| Differential voltage | BTST1-SW1, BTST2-SW2, HIDRV1-SW1, HIDRV2-SW2 | 0 | 6.5 | V |
| | SRP-SRN, ACP-ACN | -0.35 | 0.35 | |
| Junction temperature, T _J | | -40 | 125 | °C |
| Operating free-air temperature, T _A | | -40 | 85 | °C |

7.4 Thermal Information

| THERMAL METRIC ⁽¹⁾ | | bq25703A | |
|-------------------------------|--|------------|------|
| | | RSN (WQFN) | |
| | | 32 PINS | |
| Symbol | Description | Value | Unit |
| $R_{\theta JA}$ | Junction-to-ambient thermal resistance | 37.2 | °C/W |
| $R_{\theta JC(top)}$ | Junction-to-case (top) thermal resistance | 26.1 | °C/W |
| $R_{\theta JB}$ | Junction-to-board thermal resistance | 7.8 | °C/W |
| ψ_{JT} | Junction-to-top characterization parameter | 0.3 | °C/W |
| ψ_{JB} | Junction-to-board characterization parameter | 7.8 | °C/W |
| $R_{\theta JC(bot)}$ | Junction-to-case (bottom) thermal resistance | 2.3 | °C/W |

(1) For more information about traditional and new thermal metrics, see the [Semiconductor and IC Package Thermal Metrics](#) application report.

7.5 Electrical Characteristics

over $T_J = -40$ to 125°C (unless otherwise noted)

| PARAMETER | TEST CONDITIONS | MIN | TYP | MAX | UNIT |
|--|---|-----------------------------------|--------------------|------|------|
| V_{INPUT_OP} | Input voltage operating range | 3.5 | | 26 | V |
| REGULATION ACCURACY | | | | | |
| MAX SYSTEM VOLTAGE REGULATION | | | | | |
| V_{SYSMAX_RNG} | System voltage regulation, measured on V_{SYS} | 1.024 | | 19.2 | V |
| V_{SYSMAX_ACC} | System voltage regulation accuracy (charge disable) | REG0x05/04() = 0x41A0H (16.800 V) | $V_{SRN} + 160$ mV | | V |
| | | | -2% | 2% | |
| | | REG0x05/04() = 0x3130H (12.592 V) | $V_{SRN} + 160$ mV | | V |
| | | | -2% | 2% | |
| | REG0x05/04() = 0x20D0H (8.400 V) | $V_{SRN} + 160$ mV | | V | |
| | | -3% | 3% | | |
| | REG0x05/04() = 0x1060H (4.192 V) | $V_{SRN} + 160$ mV | | V | |
| | | -3% | 3% | | |
| MINIMUM SYSTEM VOLTAGE REGULATION | | | | | |
| V_{SYSMIN_RNG} | System voltage regulation, measured on V_{SYS} | 1.024 | | 19.2 | V |
| $V_{SYSMIN_REG_ACC}$ | Minimum system voltage regulation accuracy (charge enable, VBAT below REG0x0D/0C() setting) | REG0x0D/0C() = 0x3000H | 12.288 | | V |
| | | | -2% | 2% | |
| | | REG0x0D/0C() = 0x2400H | 9.216 | | V |
| | | | -2% | 2% | |
| | REG0x0D/0C() = 0x1800H | 6.144 | | V | |
| | | -3% | 3% | | |
| | REG0x0D/0C() = 0x0E00H | 3.584 | | V | |
| | | -3% | 4% | | |
| CHARGE VOLTAGE REGULATION | | | | | |
| V_{BAT_RNG} | Battery voltage regulation | 1.024 | | 19.2 | V |
| $V_{BAT_REG_ACC}$ | Battery voltage regulation accuracy (charge enable) (0°C to 85°C) | REG0x05/04() = 0x41A0H | 16.8 | | V |
| | | | -0.5% | 0.5% | |
| | | REG0x05/04() = 0x3130H | 12.592 | | V |
| | | | -0.5% | 0.5% | |
| | REG0x05/04() = 0x20D0H | 8.4 | | V | |
| | | -0.6% | 0.6% | | |
| | REG0x05/04() = 0x1060H | 4.192 | | V | |
| | | -1.1% | 1.2% | | |

Electrical Characteristics (continued)

over $T_J = -40$ to 125°C (unless otherwise noted)

| PARAMETER | | TEST CONDITIONS | MIN | TYP | MAX | UNIT | |
|---|---|--|------|------|-------|---------------|----|
| CHARGE CURRENT REGULATION IN FAST CHARGE | | | | | | | |
| $V_{\text{IREG_CHG_RNG}}$ | Charge current regulation differential voltage range | $V_{\text{IREG_CHG}} = V_{\text{SRP}} - V_{\text{SRN}}$ | 0 | | 81.28 | mV | |
| $I_{\text{CHRG_REG_ACC}}$ | Charge current regulation accuracy 10-m Ω current sensing resistor, VBAT above 0x0D/0C() setting (0°C to 85°C) | REG0x03/02() = 0x1000H | | 4096 | | mA | |
| | | | -3% | | 2% | | |
| | | REG0x03/02() = 0x0800H | | 2048 | | 3% | mA |
| | | | -4% | | | | |
| | | REG0x03/02() = 0x0400H | | 1024 | | 6% | mA |
| | | | | 512 | | mA | |
| | | | -12% | | 12% | | |
| CHARGE CURRENT REGULATION IN LDO MODE | | | | | | | |
| I_{CLAMP} | Pre-charge current clamp | CELL 2s-4s | | 384 | | mA | |
| | | CELL 1 s, $V_{\text{SRN}} < 3$ V | | 384 | | mA | |
| | | CELL 1 s, 3 V $< V_{\text{SRN}} < V_{\text{SYSMIN}}$ | | 2 | | A | |
| $I_{\text{PRECHRG_REG_ACC}}$ | Pre-charge current regulation accuracy with 10- Ω SRP/SRN series resistor, VBAT below REG0x0D/0C() setting (0°C to 85°C) | REG0x03/02() = 0x0180H | | 384 | | mA | |
| | | 2S-4S | -15% | | 15% | | |
| | | 1S | -25% | | 25% | | |
| | | REG0x03/02() = 0x0100H | | 256 | | mA | |
| | | 2S-4S | -20% | | 20% | | |
| | | 1S | -35% | | 35% | | |
| | | REG0x03/02() = 0x00C0H | | 192 | | mA | |
| | | 2S-4S | -25% | | 25% | | |
| | | 1S | -50% | | 50% | | |
| | | | | 128 | | mA | |
| | | | -30% | | 30% | | |
| $I_{\text{LEAK_SRP_SRN}}$ | SRP, SRN leakage current mismatch (0°C to 85°C) | | -12 | | 10 | μA | |
| INPUT CURRENT REGULATION | | | | | | | |
| $V_{\text{IREG_DPM_RNG}}$ | Input current regulation differential voltage range | $V_{\text{IREG_DPM}} = V_{\text{ACP}} - V_{\text{ACN}}$ | 0.5 | | 64 | mV | |
| $I_{\text{DPM_REG_ACC}}$ | Input current regulation accuracy (-40°C to 105°C) with 10-m Ω ACP/ACN series resistor | REG0x0F/0E() = 0x4FFFH | | 3820 | | 4000 mA | |
| | | REG0x0F/0E() = 0x3BFFH | | 2830 | | 3000 mA | |
| | | REG0x0F/0E() = 0x1DFFH | | 1350 | | 1500 mA | |
| | | REG0x0F/0E() = 0x09FFH | | 340 | | 500 mA | |
| $I_{\text{LEAK_ACP_ACN}}$ | ACP, ACN leakage current mismatch | | -16 | | 10 | μA | |
| $V_{\text{IREG_DPM_RNG_ILIM}}$ | Voltage Range for input current regulation | | 1 | | 4 | V | |
| $I_{\text{DPM_REG_ACC_ILIM}}$ | Input Current Regulation Accuracy on ILIM_HIZ pin $V_{\text{ILIM_HIZ}} = 1$ V + $40 \times I_{\text{DPM}} \times R_{\text{AC}}$ with 10-m Ω ACP/ACN series resistor | $V_{\text{ILIM_HIZ}} = 2.6$ V | | 3800 | 4000 | 4200 mA | |
| | | $V_{\text{ILIM_HIZ}} = 2.2$ V | | 2800 | 3000 | 3200 mA | |
| | | $V_{\text{ILIM_HIZ}} = 1.6$ V | | 1300 | 1500 | 1700 mA | |
| | | $V_{\text{ILIM_HIZ}} = 1.2$ V | | 300 | 500 | 700 mA | |
| $I_{\text{LEAK_ILIM}}$ | $I_{\text{LIM_HIZ}}$ pin leakage | | -1 | | 1 | μA | |
| INPUT VOLTAGE REGULATION | | | | | | | |
| $V_{\text{IREG_DPM_RNG}}$ | Input voltage regulation range | Voltage on VBUS | 3.2 | | 19.52 | V | |

Electrical Characteristics (continued)

 over $T_J = -40$ to 125°C (unless otherwise noted)

| PARAMETER | TEST CONDITIONS | MIN | TYP | MAX | UNIT | |
|----------------------------------|--|--|-------|--------|------|---------------|
| $V_{\text{DPM_REG_ACC}}$ | Input voltage regulation accuracy | REG0x0B/0A()=0x3C80H | | 18688 | mV | |
| | | | -2% | 2% | | |
| | | REG0x0B/0A()=0x1E00H | | 10880 | mV | |
| | | | -2.5% | 2.5% | | |
| | | REG0x0B/0A()=0x0500H | | 4480 | mV | |
| | | -3% | 5% | | | |
| OTG CURRENT REGULATION | | | | | | |
| $V_{\text{IOTG_REG_RNG}}$ | Input current regulation differential voltage range | $V_{\text{IREG_DPM}} = V_{\text{ACP}} - V_{\text{ACN}}$ | 0 | 81.28 | mV | |
| $I_{\text{OTG_ACC}}$ | Input current regulation accuracy with 50-mA LSB, with 10- Ω ACP/ACN series resistor | REG0x09/08() = 0x3C00H | 2800 | 3000 | 3200 | mA |
| | | REG0x09/08() = 0x1E00H | 1300 | 1500 | 1700 | mA |
| | | REG0x09/08() = 0x0A00H | 300 | 500 | 700 | mA |
| OTG VOLTAGE REGULATION | | | | | | |
| $V_{\text{IREG_DPM_RNG}}$ | Input voltage regulation range | Voltage on VBUS | 4.48 | 20.8 | V | |
| $V_{\text{OTG_REG_ACC}}$ | OTG voltage regulation accuracy | REG0x07/06()=0x3CC0H | | 20.032 | V | |
| | | | -2% | 2% | | |
| | | REG0x07/06()=0x1D80H | | 12.032 | V | |
| | | | -2% | 2% | | |
| | | REG0x07/06()=0x0240H | | 5.056 | V | |
| | | -3% | 3% | | | |
| REFERENCE AND BUFFER | | | | | | |
| REGN REGULATOR | | | | | | |
| $V_{\text{REGN_REG}}$ | REGN regulator voltage (0 mA–60 mA) | $V_{\text{VBUS}} = 10\text{ V}$ | 5.7 | 6 | 6.3 | V |
| V_{DROPOUT} | REGN voltage in drop out mode | $V_{\text{VBUS}} = 5\text{ V}$, $I_{\text{LOAD}} = 20\text{ mA}$ | 3.8 | 4.3 | 4.6 | V |
| $I_{\text{REGN_LIM_Charging}}$ | REGN current limit when converter is enabled | $V_{\text{VBUS}} = 10\text{ V}$, force $V_{\text{REGN}} = 4\text{ V}$ | 50 | 65 | | mA |
| C_{REGN} | REGN output capacitor required for stability | $I_{\text{LOAD}} = 100\text{ }\mu\text{A}$ to 50 mA | 2.2 | | | μF |
| C_{VDDA} | REGN output capacitor required for stability | $I_{\text{LOAD}} = 100\text{ }\mu\text{A}$ to 50 mA | 1 | | | μF |
| QUIESCENT CURRENT | | | | | | |
| $I_{\text{BAT_BATFET_ON}}$ | System powered by battery. BATFET on. $I_{\text{SRN}} + I_{\text{SRP}} + I_{\text{SW2}} + I_{\text{BTST2}} + I_{\text{SW1}} + I_{\text{BTST1}} + I_{\text{ACP}} + I_{\text{ACN}} + I_{\text{VBUS}} + I_{\text{VSY}} + I_{\text{VDDA}}$ | $V_{\text{BAT}} = 18\text{ V}$, REG0x01[7] = 1, in low power mode | | 22 | 45 | μA |
| | | $V_{\text{BAT}} = 18\text{ V}$, REG0x01[7] = 1, REG0x31[6:5] = 01, REGN off | | 105 | 175 | μA |
| | | $V_{\text{BAT}} = 18\text{ V}$, REG0x01[7] = 1, REG0x31[6:5] = 10, REGN off | | 60 | 90 | μA |
| | | $V_{\text{BAT}} = 18\text{ V}$, REG0x01[7] = 0, REG0x31[4] = 0, REGN on, EN_PSYS | | 860 | 1150 | μA |
| | | $V_{\text{BAT}} = 18\text{ V}$, REG0x01[7] = 0, REG0x31[4] = 1, REGN on | | 960 | 1250 | |
| $I_{\text{AC_SW_LIGHT_buck}}$ | Input current during PFM in buck mode, no load, $I_{\text{VBUS}} + I_{\text{ACP}} + I_{\text{ACN}} + I_{\text{VSY}} + I_{\text{SRP}} + I_{\text{SRN}} + I_{\text{SW1}} + I_{\text{BTST}} + I_{\text{SW2}} + I_{\text{BTST2}}$ | $V_{\text{IN}} = 20\text{ V}$, $V_{\text{BAT}} = 12.6\text{ V}$, 3 s, REG0x01[2] = 0; MOSFET Qg = 4 nC | | 2.2 | | mA |

Electrical Characteristics (continued)

over $T_J = -40$ to 125°C (unless otherwise noted)

| PARAMETER | TEST CONDITIONS | MIN | TYP | MAX | UNIT | | |
|-------------------------------------|--|--|-----|------|------|-----------------|---------------|
| $I_{AC_SW_LIGHT_boost}$ | Input current during PFM in boost mode, no load, $I_{VBUS} + I_{ACP} + I_{ACN} + I_{VSY} + I_{SRP} + I_{SRN} + I_{SW1} + I_{BTST2} + I_{SW2} + I_{BTST2}$ | VIN = 5 V, VBAT = 8.4 V, 2 s, REG0x01[2] = 0; MOSFET Qg = 4 nC | | 2.7 | mA | | |
| $I_{AC_SW_LIGHT_buckboost}$ | Input current during PFM in buck boost mode, no load, $I_{VBUS} + I_{ACP} + I_{ACN} + I_{VSY} + I_{SRP} + I_{SRN} + I_{SW1} + I_{BTST1} + I_{SW2} + I_{BTST2}$ | VIN = 12 V, VBAT = 12 V, REG0x01[2] = 0; MOSFET Qg = 4 nC | | 2.4 | mA | | |
| $I_{OTG_STANDBY}$ | Quiescent current during PFM in OTG mode $I_{VBUS} + I_{ACP} + I_{ACN} + I_{VSY} + I_{SRP} + I_{SRN} + I_{SW1} + I_{BTST2} + I_{SW2} + I_{BTST2}$ | VBAT = 8.4 V, VBUS = 5 V, 800-kHz switching frequency, MOSFET Qg = 4 nC | | 3 | mA | | |
| | | VBAT = 8.4 V, VBUS = 12 V, 800-kHz switching frequency, MOSFET Qg = 4 nC | | 4.2 | | | |
| | | VBAT = 8.4 V, VBUS = 20 V, 800-kHz switching frequency, MOSFET Qg = 4 nC | | 6.2 | | | |
| V_{ACP/N_OP} | Input common mode range | Voltage on ACP/ACN | | 3.8 | 26 | V | |
| V_{IADPT_CLAMP} | I_{ADPT} output clamp voltage | | | 3.1 | 3.2 | 3.3 | V |
| I_{IADPT} | I_{ADPT} output current | | | | | 1 | mA |
| A_{IADPT} | Input current sensing gain | $V_{(IADPT)} / V_{(ACP-ACN)}$, REG0x00[4] = 0 | | 20 | V/V | | |
| | | $V_{(IADPT)} / V_{(ACP-ACN)}$, REG0x00[4] = 1 | | 40 | V/V | | |
| V_{IADPT_ACC} | Input current monitor accuracy | $V_{(ACP-ACN)} = 40.96$ mV | | -2% | 2% | | |
| | | $V_{(ACP-ACN)} = 20.48$ mV | | -3% | 3% | | |
| | | $V_{(ACP-ACN)} = 10.24$ mV | | -6% | 6% | | |
| | | $V_{(ACP-ACN)} = 5.12$ mV | | -10% | 10% | | |
| C_{IADPT_MAX} | Maximum output load capacitance | | | | | 100 | pF |
| V_{SRP/N_OP} | Battery common mode range | Voltage on SRP/SRN | | 2.5 | 18 | | V |
| V_{IBAT_CLAMP} | IBAT output clamp voltage | | | 3.05 | 3.2 | 3.3 | V |
| I_{IBAT} | IBAT output current | | | | | 1 | mA |
| A_{IBAT} | Charge and discharge current sensing gain on IBAT pin | $V_{(IBAT)} / V_{(SRN-SRP)}$, REG0x00[3] = 0, | | 8 | V/V | | |
| | | $V_{(IBAT)} / V_{(SRN-SRP)}$, REG0x00[3] = 1, | | 16 | V/V | | |
| $I_{IBAT_CHG_ACC}$ | Charge and discharge current monitor accuracy on IBAT pin | $V_{(SRN-SRP)} = 40.96$ mV | | -2% | 2% | | |
| | | $V_{(SRN-SRP)} = 20.48$ mV | | -3% | 4% | | |
| | | $V_{(SRN-SRP)} = 10.24$ mV | | -6% | 6% | | |
| | | $V_{(SRN-SRP)} = 5.12$ mV | | -12% | 12% | | |
| C_{IBAT_MAX} | Maximum output load capacitance | | | | | 100 | pF |
| SYSTEM POWER SENSE AMPLIFIER | | | | | | | |
| V_{PSYS} | PSYS output voltage range | | | 0 | 3.3 | | V |
| I_{PSYS} | PSYS output current | | | 0 | 160 | | μA |
| A_{PSYS} | PSYS system gain | $V_{(PSYS)} / (P_{(IN)} + P_{(BAT)})$, REG0x31[1] = 1 | | 1 | | $\mu\text{A/W}$ | |

Electrical Characteristics (continued)

 over $T_J = -40$ to 125°C (unless otherwise noted)

| PARAMETER | TEST CONDITIONS | MIN | TYP | MAX | UNIT | |
|---|--|--|------|-------|--------|--|
| $V_{\text{PSYS_ACC}}$ | PSYS gain accuracy (REG0x31[1] = 1) | Adapter only with system power = 19.5 V / 45 W, $T_A = 0$ to 85°C | -5% | | 5% | |
| | | Adapter only with system power = 19.5 V / 45 W, $T_A = -40$ to 125°C | -7% | | 6% | |
| | | Battery only with system power = 11 V / 44 W, $T_A = 0$ to 85°C | -5% | | 5% | |
| | | Battery only with system power = 11 V / 44 W, $T_A = -40$ to 125°C | -6% | | 6% | |
| $V_{\text{PSYS_CLAMP}}$ | PSYS clamp voltage | | | 3 | 3.3 V | |
| COMPARATOR | | | | | | |
| VBUS UNDER VOLTAGE LOCKOUT COMPARATOR | | | | | | |
| $V_{\text{VBUS_UVLOZ}}$ | VBUS undervoltage rising threshold | VBUS rising | 2.34 | 2.55 | 2.77 V | |
| $V_{\text{VBUS_UVLO}}$ | VBUS undervoltage falling threshold | VBUS falling | 2.2 | 2.4 | 2.6 V | |
| $V_{\text{VBUS_UVLO_HYST}}$ | VBUS undervoltage hysteresis | | | 150 | mV | |
| $V_{\text{VBUS_CONVEN}}$ | VBUS converter enable rising threshold | VBUS rising | 3.2 | 3.5 | 3.9 V | |
| $V_{\text{VBUS_CONVENZ}}$ | VBUS converter enable falling threshold | VBUS falling | 2.9 | 3.2 | 3.5 V | |
| $V_{\text{VBUS_CONVEN_HYST}}$ | VBUS converter enable hysteresis | | | 400 | mV | |
| BATTERY UNDER VOLTAGE LOCKOUT COMPARATOR | | | | | | |
| $V_{\text{VBAT_UVLOZ}}$ | VBAT undervoltage rising threshold | VSRN rising | 2.35 | 2.55 | 2.75 V | |
| $V_{\text{VBAT_UVLO}}$ | VBAT undervoltage falling threshold | VSRN falling | 2.2 | 2.4 | 2.6 V | |
| $V_{\text{VBAT_UVLO_HYST}}$ | VBAT undervoltage hysteresis | | | 150 | mV | |
| $V_{\text{VBAT_OTGEN}}$ | VBAT OTG enable rising threshold | VSRN rising | 3.3 | 3.55 | 3.75 V | |
| $V_{\text{VBAT_OTGENZ}}$ | VBAT OTG enable falling threshold | VSRN falling | 3 | 3.2 | 3.4 V | |
| $V_{\text{VBAT_OTGEN_HYST}}$ | VBAT OTG enable hysteresis | | | 350 | mV | |
| VBUS UNDER VOLTAGE COMPARATOR (OTG MODE) | | | | | | |
| $V_{\text{VBUS_OTG_UV}}$ | VBUS undervoltage falling threshold | As percentage of REG0x07/06() | | 85.0% | | |
| $t_{\text{VBUS_OTG_UV}}$ | VBUS undervoltage deglitch time | | | 7 | ms | |
| VBUS OVER VOLTAGE COMPARATOR (OTG MODE) | | | | | | |
| $V_{\text{VBUS_OTG_OV}}$ | VBUS overvoltage rising threshold | As percentage of REG0x07/06() | | 105% | | |
| $t_{\text{VBUS_OTG_OV}}$ | VBUS Over-Voltage Deglitch Time | | | 10 | ms | |
| $V_{\text{BAT_SYSMIN_RISE}}$ | LDO mode to fast charge mode threshold, VSRN rising | as percentage of 0x0D/0C() | 98% | 100% | 102% | |
| $V_{\text{BAT_SYSMIN_FALL}}$ | LDO mode to fast charge mode threshold, VSRN falling | as percentage of 0x0D/0C() | | 97.5% | | |

Electrical Characteristics (continued)

over $T_J = -40$ to 125°C (unless otherwise noted)

| PARAMETER | | TEST CONDITIONS | MIN | TYP | MAX | UNIT |
|--|--|--|--------|------|------|---------------|
| $V_{\text{BAT_SYSMIN_HYST}}$ | Fast charge mode to LDO mode threshold hysteresis | as percentage of 0x0D/0C() | | 2.5% | | |
| BATTERY LOWV COMPARATOR (Pre-charge to Fast Charge Thresold for 1S) | | | | | | |
| $V_{\text{BATLV_FALL}}$ | BATLOWV falling threshold | 1 s | | 2.80 | | V |
| $V_{\text{BATLV_RISE}}$ | BATLOWV rising threshold | | | 3.00 | | V |
| $V_{\text{BATLV_RHYST}}$ | BATLOWV hysteresis | | | 200 | | mV |
| INPUT OVER-VOLTAGE COMPARATOR (ACOV) | | | | | | |
| $V_{\text{ACOV_RISE}}$ | VBUS overvoltage rising threshold | VBUS rising | 25 | 26 | 27 | V |
| $V_{\text{ACOV_FALL}}$ | VBUS overvoltage falling threshold | VBUS falling | 24 | 24.5 | 25 | V |
| $V_{\text{ACOV_HYST}}$ | VBUS overvoltage hysteresis | | | 1.5 | | V |
| $t_{\text{ACOV_RISE_DEG}}$ | VBUS overvoltage rising deglitch | VBUS rising to stop converter | | 100 | | μs |
| $t_{\text{ACOV_FALL_DEG}}$ | VBUS overvoltage falling deglitch | VBUS falling to start converter | | 1 | | ms |
| INPUT OVER CURRENT COMPARATOR (ACOC) | | | | | | |
| V_{ACOC} | ACP to ACN rising threshold, w.r.t. ILIM2 in REG0x37[7:3] | Voltage across input sense resistor rising, Reg0x32[2] = 1 | 195% | 210% | 225% | |
| $V_{\text{ACOC_FLOOR}}$ | Measure between ACP and ACN | Set IDPM to minimum | 44 | 50 | 56 | mV |
| $V_{\text{ACOC_CEILING}}$ | Measure between ACP and ACN | Set IDPM to maximum | 172 | 180 | 188 | mV |
| $t_{\text{ACOC_DEG_RISE}}$ | Rising deglitch time | Deglitch time to trigger ACOC | | 250 | | μs |
| $t_{\text{ACOC_RELAX}}$ | Relax time | Relax time before converter starts again | | 250 | | ms |
| SYSTEM OVER-VOLTAGE COMPARATOR (SYSOVP) | | | | | | |
| $V_{\text{SYSOVP_RISE}}$ | System overvoltage rising threshold to turn off converter | 1 s | 4.85 | 5 | 5.1 | V |
| | | 2 s | 11.7 | 12 | 12.2 | |
| | | 3 s | 19 | 19.5 | 20 | |
| | | 4 s | 19 | 19.5 | 20 | |
| $V_{\text{SYSOVP_FALL}}$ | System overvoltage falling threshold | 1 s | | 4.8 | | V |
| | | 2 s | | 11.5 | | |
| | | 3 s | | 19 | | |
| | | 4 s | | 19 | | |
| I_{SYSOVP} | Discharge current when SYSOVP stop switching was triggered | on SYS | | 20 | | mA |
| BAT OVER-VOLTAGE COMPARATOR (BATOVP) | | | | | | |
| $V_{\text{BATOVP_RISE}}$ | Overvoltage rising threshold as percentage of $V_{\text{BAT_REG}}$ in REG0x05/04() | 1 s, 4.2 V | 102.5% | 104% | 106% | |
| | | 2 s - 4 s | 102.5% | 104% | 105% | |
| $V_{\text{BATOVP_FALL}}$ | Overvoltage falling threshold as percentage of $V_{\text{BAT_REG}}$ in REG0x05/04() | 1 s | 100% | 102% | 104% | |
| | | 2 s - 4 s | 100% | 102% | 103% | |
| $V_{\text{BATOVP_HYST}}$ | Overvoltage hysteresis as percentage of $V_{\text{BAT_REG}}$ in REG0x05/04() | 1 s | | 2% | | |
| | | 2 s - 4 s | | 2% | | |
| I_{BATOVP} | Discharge current during BATOVP | on VSYS pin | | 20 | | mA |

Electrical Characteristics (continued)

 over $T_J = -40$ to 125°C (unless otherwise noted)

| PARAMETER | | TEST CONDITIONS | MIN | TYP | MAX | UNIT |
|--|---|-------------------------------|------|------|------|------------------|
| $t_{\text{BATOVP_RISE}}$ | Overvoltage rising deglitch to turn off BATDRV to disable charge | | | 20 | | ms |
| CONVERTER OVER-CURRENT COMPARATOR (Q2) | | | | | | |
| VOCP_limit_Q2 | Converter Over-Current Limit | Reg0x32[5]=1 | | 150 | | mV |
| | | Reg0x32[5]=0 | | 210 | | |
| VOCP_limit_SYSSH ORT_Q2 | System Short or SRN<2.5 V | Reg0x32[5]=1 | | 45 | | mV |
| | | Reg0x32[5]=0 | | 60 | | |
| CONVERTER OVER-CURRENT COMPARATOR (ACX) | | | | | | |
| VOCP_limit_ACX | Converter Over-Current Limit | Reg0x32[4]=1 | | 150 | | mV |
| | | Reg0x32[4]=0 | | 280 | | |
| VOCP_limit_SYSSH ORT_ACX | System Short or SRN<2.5 V | Reg0x32[4]=1 | | 90 | | mV |
| | | Reg0x32[4]=0 | | 150 | | |
| THERMAL SHUTDOWN COMPARATOR | | | | | | |
| $T_{\text{SHUT_RISE}}$ | Thermal shutdown rising temperature | Temperature increasing | | 155 | | $^\circ\text{C}$ |
| $T_{\text{SHUT_FALL}}$ | Thermal shutdown falling temperature | Temperature reducing | | 135 | | $^\circ\text{C}$ |
| $T_{\text{SHUT_HYS}}$ | Thermal shutdown hysteresis | | | 20 | | $^\circ\text{C}$ |
| $t_{\text{SHUT_RDEG}}$ | Thermal shutdown rising deglitch | | | 100 | | μs |
| $t_{\text{SHUT_FHYS}}$ | Thermal shutdown falling deglitch | | | 12 | | ms |
| VSYS PROCHOT COMPARATOR | | | | | | |
| $V_{\text{SYS_PROCHOT}}$ | V_{SYS} threshold falling threshold | Reg0x36[7:6] = 00, 1 s | | 2.85 | | V |
| | | Reg0x36[7:6] = 00, 2–4 s | | 5.75 | | V |
| | | Reg0x36[7:6] = 01, 1 s | 2.95 | 3.1 | 3.25 | V |
| | | Reg0x36[7:6] = 01, 2–4 s | 5.8 | 5.95 | 6.1 | V |
| | | Reg0x36[7:6] = 10, 1 s | | 3.3 | | V |
| | | Reg0x36[7:6] = 10, 2–4 s | | 6.25 | | V |
| | | Reg0x36[7:6] = 11, 1 s | | 3.5 | | V |
| Reg0x36[7:6] = 11, 2–4 s | | 6.5 | | V | | |
| $t_{\text{SYS_PRO_RISE_DEG}}$ | V_{SYS} rising deglitch for throttling | | | 8 | | μs |
| ICRIT PROCHOT COMPARATOR | | | | | | |
| $V_{\text{ICRIT_PRO}}$ | Input current rising threshold for throttling as 10% above ILIM2 (REG0x37[7:3]) | Reg0x37[7:3] = 00000 | 105% | 110% | 116% | |
| | | Reg0x37[7:3] = 01001 | 142% | 150% | 156% | |
| INOM PROCHOT COMPARATOR | | | | | | |
| $V_{\text{INOM_PRO}}$ | INOM rising threshold as 10% above IIN (REG0x0F/0E()) | | 105% | 110% | 116% | |
| IDCHG PROCHOT COMPARATOR | | | | | | |
| $V_{\text{IDCHG_PRO}}$ | IDCHG threshold for throttling for IDSCHG of 6 A | Reg0x39[7:2] =001100 | | 6272 | | mA |
| | | | 95% | | 102% | |
| INDEPENDENT COMPARATOR | | | | | | |
| $V_{\text{INDEP_CMP}}$ | Independent comparator threshold | Reg0x30[7] = 1, CMPIN falling | 1.17 | 1.2 | 1.23 | V |
| | | Reg0x30[7] = 0, CMPIN falling | 2.27 | 2.3 | 2.33 | V |

Electrical Characteristics (continued)

over $T_J = -40$ to 125°C (unless otherwise noted)

| PARAMETER | | TEST CONDITIONS | MIN | TYP | MAX | UNIT |
|---|---|--|------|------|------|---------------|
| $V_{\text{INDEP_CMP_HYS}}$ | Independent comparator hysteresis | Reg0x06[6] = 0, CMPIN falling | | 100 | | mV |
| POWER MOSFET DRIVER | | | | | | |
| PWM OSCILLATOR AND RAMP | | | | | | |
| F_{SW} | PWM switching frequency | Reg0x01[1] = 0 | 1020 | 1200 | 1380 | kHz |
| | | Reg0x01[1] = 1 | 680 | 800 | 920 | kHz |
| BATFET GATE DRIVER (BATDRV) | | | | | | |
| $V_{\text{BATDRV_ON}}$ | Gate drive voltage on BATFET | | 8.5 | 10 | 11.5 | V |
| $V_{\text{BATDRV_DIODE}}$ | Drain-source voltage on BATFET during ideal diode operation | | | 30 | | mV |
| $R_{\text{BATDRV_ON}}$ | Measured by sourcing 10- μA current to BATDRV | | 3 | 4 | 6 | k Ω |
| $R_{\text{BATDRV_OFF}}$ | Measured by sinking 10- μA current from BATDRV | | | 1.2 | 2.1 | k Ω |
| PWM HIGH SIDE DRIVER (HIDRV Q1) | | | | | | |
| $R_{\text{DS_HI_ON_Q1}}$ | High side driver (HSD) turnon resistance | $V_{\text{BTST1}} - V_{\text{SW1}} = 5\text{ V}$ | | 6 | | Ω |
| $R_{\text{DS_HI_OFF_Q1}}$ | High side driver turnoff resistance | $V_{\text{BTST1}} - V_{\text{SW1}} = 5\text{ V}$ | | 1.3 | 2.2 | Ω |
| $V_{\text{BTST1_REFRESH}}$ | Bootstrap refresh comparator falling threshold voltage | $V_{\text{BTST1}} - V_{\text{SW1}}$ when low side refresh pulse is requested | 3.2 | 3.7 | 4.6 | V |
| PWM HIGH SIDE DRIVER (HIDRV Q4) | | | | | | |
| $R_{\text{DS_HI_ON_Q4}}$ | High side driver (HSD) turnon resistance | $V_{\text{BTST2}} - V_{\text{SW2}} = 5\text{ V}$ | | 6 | | Ω |
| $R_{\text{DS_HI_OFF_Q4}}$ | High side driver turnoff resistance | $V_{\text{BTST2}} - V_{\text{SW2}} = 5\text{ V}$ | | 1.5 | 2.4 | Ω |
| $V_{\text{BTST2_REFRESH}}$ | Bootstrap refresh comparator falling threshold voltage | $V_{\text{BTST2}} - V_{\text{SW2}}$ when low side refresh pulse is requested | 3.3 | 3.7 | 4.6 | V |
| PWM LOW SIDE DRIVER (LODRV Q2) | | | | | | |
| $R_{\text{DS_LO_ON_Q2}}$ | Low side driver (LSD) turnon resistance | $V_{\text{BTST1}} - V_{\text{SW1}} = 5.5\text{ V}$ | | 6 | | Ω |
| $R_{\text{DS_LO_OFF_Q2}}$ | Low side driver turnoff resistance | $V_{\text{BTST1}} - V_{\text{SW1}} = 5.5\text{ V}$ | | 1.7 | 2.6 | Ω |
| PWM LOW SIDE DRIVER (LODRV Q3) | | | | | | |
| $R_{\text{DS_LO_ON_Q3}}$ | Low side driver (LSD) turnon resistance | $V_{\text{BTST2}} - V_{\text{SW2}} = 5.5\text{ V}$ | | 7.6 | | Ω |
| $R_{\text{DS_LO_OFF_Q3}}$ | Low side driver turnoff resistance | $V_{\text{BTST2}} - V_{\text{SW2}} = 5.5\text{ V}$ | | 2.9 | 4.6 | Ω |
| INTERNAL SOFT START During Charge Enable | | | | | | |
| SSSTEP_DAC | Soft Start Step Size | | | 64 | | mA |
| SSSTEP_DAC | Soft Start Step Time | | | 8 | | μs |
| INTEGRATED BTST DIODE (D1) | | | | | | |
| $V_{\text{F_D1}}$ | Forward bias voltage | $I_{\text{F}} = 20\text{ mA}$ at 25°C | | 0.8 | | V |
| $V_{\text{R_D1}}$ | Reverse breakdown voltage | $I_{\text{R}} = 2\text{ }\mu\text{A}$ at 25°C | | | 20 | V |
| INTEGRATED BTST DIODE (D2) | | | | | | |
| $V_{\text{F_D2}}$ | Forward bias voltage | $I_{\text{F}} = 20\text{ mA}$ at 25°C | | 0.8 | | V |
| $V_{\text{R_D2}}$ | Reverse breakdown voltage | $I_{\text{R}} = 2\text{ }\mu\text{A}$ at 25°C | | | 20 | V |
| PWM DRIVERS TIMING | | | | | | |

Electrical Characteristics (continued)

 over $T_J = -40$ to 125°C (unless otherwise noted)

| PARAMETER | | TEST CONDITIONS | MIN | TYP | MAX | UNIT |
|---|--------------------------------|---|-------|-----|-------|------|
| INTERFACE | | | | | | |
| LOGIC INPUT (SDA, SCL, EN_OTG) | | | | | | |
| V_{IN_LO} | Input low threshold | I2C | | | 0.4 | V |
| V_{IN_HI} | Input high threshold | I2C | 1.3 | | | V |
| LOGIC OUTPUT OPEN DRAIN (SDA, CHRG_OK, CMPOUT) | | | | | | |
| V_{OUT_LO} | Output saturation voltage | 5-mA drain current | | | 0.4 | V |
| V_{OUT_LEAK} | Leakage current | $V = 7\text{ V}$ | -1 | | 1 | mA |
| LOGIC OUTPUT OPEN DRAIN SDA | | | | | | |
| $V_{OUT_LO_SDA}$ | Output Saturation Voltage | 5 mA drain current | | | 0.4 | V |
| $V_{OUT_LEAK_SDA}$ | Leakage Current | $V = 7\text{ V}$ | -1 | | 1 | mA |
| LOGIC OUTPUT OPEN DRAIN CHRG_OK | | | | | | |
| $V_{OUT_LO_CHRG_OK}$ | Output Saturation Voltage | 5 mA drain current | | | 0.4 | V |
| $V_{OUT_LEAK_CHRG_OK}$ | Leakage Current | $V = 7\text{ V}$ | -1 | | 1 | mA |
| LOGIC OUTPUT OPEN DRAIN CMPOUT | | | | | | |
| $V_{OUT_LO_CMPOUT}$ | Output Saturation Voltage | 5 mA drain current | | | 0.4 | V |
| $V_{OUT_LEAK_CMPOUT}$ | Leakage Current | $V = 7\text{ V}$ | -1 | | 1 | mA |
| LOGIC OUTPUT OPEN DRAIN (PROCHOT) | | | | | | |
| $V_{OUT_LO_PROCHOT}$ | Output saturation voltage | 50- Ω pullup to 1.05 V / 5-mA load | | | 300 | mV |
| $V_{OUT_LEAK_PROCHOT}$ | Leakage current | $V = 5.5\text{ V}$ | -1 | | 1 | mA |
| ANALOG INPUT (ILIM_HIZ) | | | | | | |
| V_{HIZ_LO} | Voltage to get out of HIZ mode | ILIM_HIZ pin rising | 0.8 | | | V |
| V_{HIZ_HIGH} | Voltage to enable HIZ mode | ILIM_HIZ pin falling | | | 0.4 | V |
| ANALOG INPUT (CELL_BATPRESZ) | | | | | | |
| V_{CELL_4S} | 4S | REGN = 6 V, as percentage of REGN | 68.4% | 75% | | |
| V_{CELL_3S} | 3S | REGN = 6 V, as percentage of REGN | 51.7% | 55% | 65% | |
| V_{CELL_2S} | 2S | REGN = 6 V, as percentage of REGN | 35% | 40% | 49.1% | |
| V_{CELL_1S} | 1S | REGN = 6 V, as percentage of REGN | 18.4% | 25% | 31.6% | |
| $V_{CELL_BATPRESZ_RISE}$ | Battery is present | | 18% | | | |
| $V_{CELL_BATPRESZ_FALL}$ | Battery is removed | CELL_BATPRESZ falling | | | 15% | |
| ANALOG INPUT (COMP1, COMP2) | | | | | | |
| I_{LEAK_COMP1} | COMP1 Leakage | | -120 | | 120 | nA |
| I_{LEAK_COMP2} | COMP2 Leakage | | -120 | | 120 | nA |

7.6 Timing Requirements

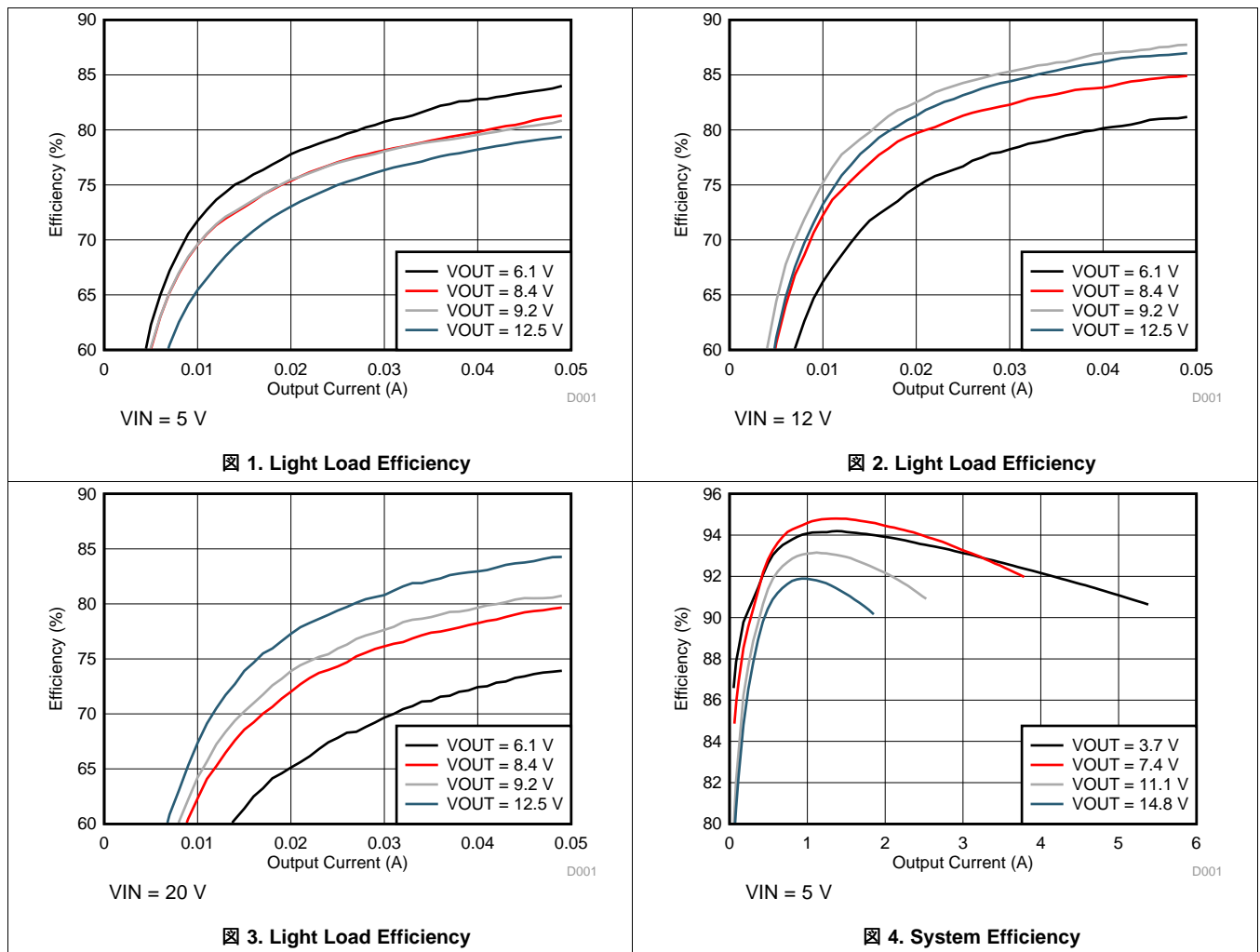
| | | MIN | TYP | MAX | UNIT |
|-----------------------------------|--|-----|-----|-----|---------------|
| I2C TIMING CHARACTERISTICS | | | | | |
| t_r | SCLK/SDATA rise time | | | 1 | μs |
| t_f | SCLK/SDATA fall time | | | 300 | ns |
| $t_{W(H)}$ | SCLK pulse width high | 4 | | 50 | μs |
| $t_{W(L)}$ | SCLK Pulse Width Low | 4.7 | | | μs |
| $t_{SU(STA)}$ | Setup time for START condition | 4.7 | | | μs |
| $t_{H(STA)}$ | START condition hold time after which first clock pulse is generated | 4 | | | μs |

Timing Requirements (continued)

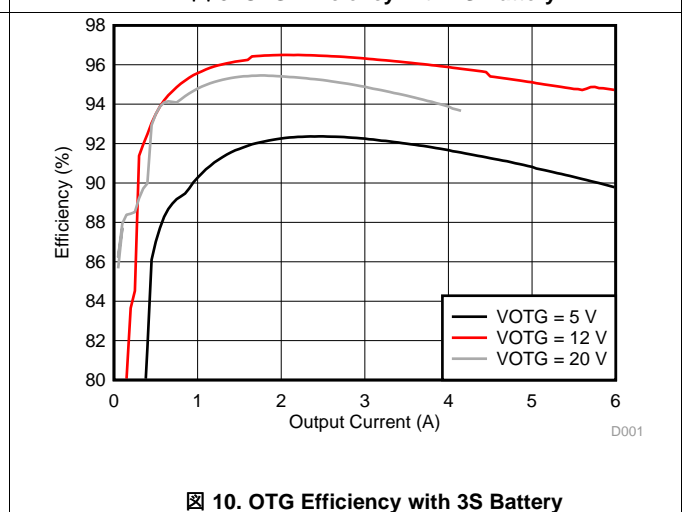
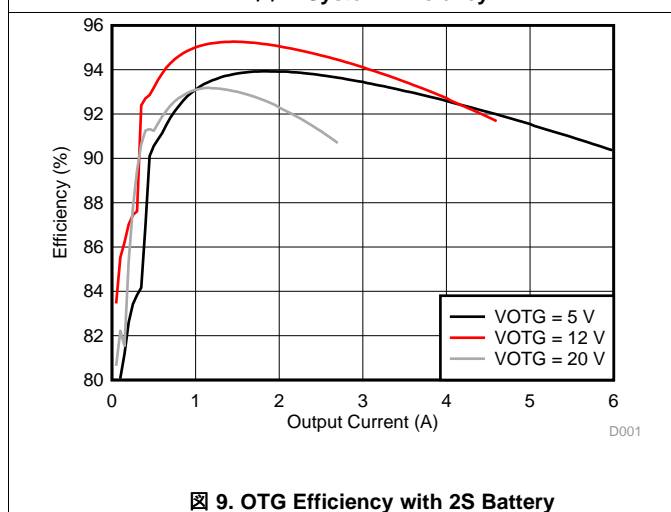
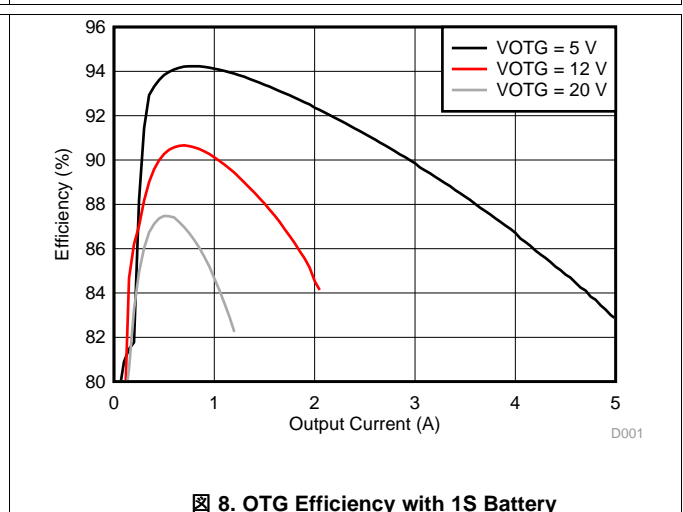
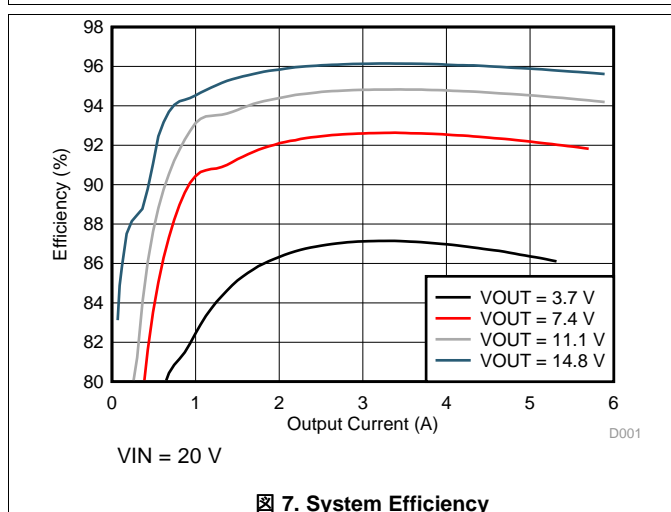
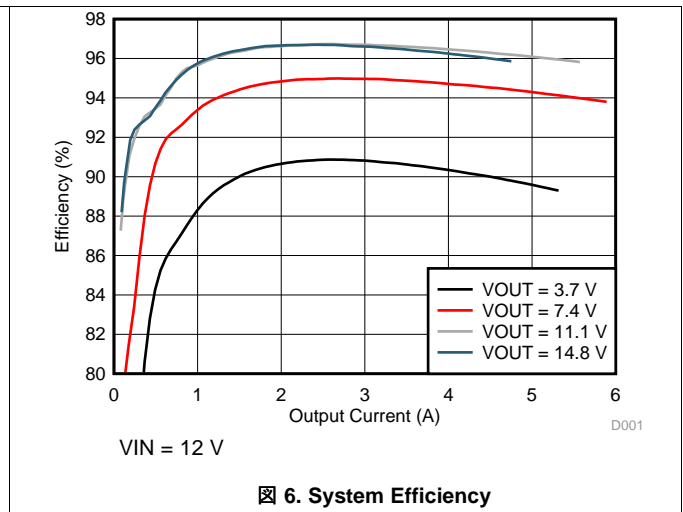
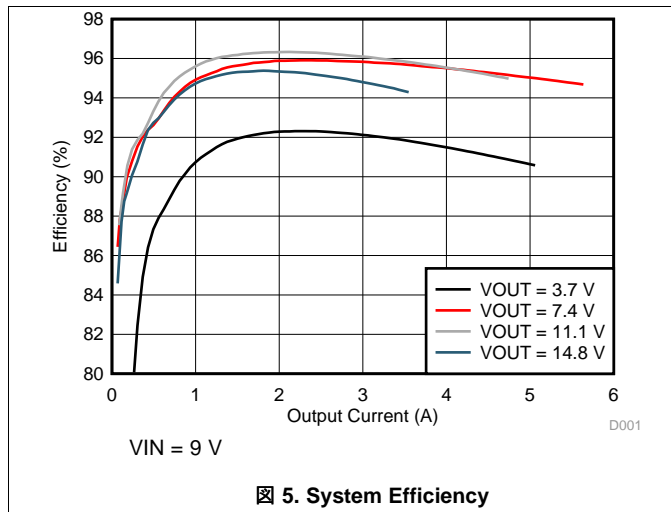
| | | MIN | TYP | MAX | UNIT |
|-----------------------------------|---|-----|-----|-----|---------|
| $t_{SU(DAT)}$ | Data setup time | 250 | | | ns |
| $t_{H(DTA)}$ | Data hold time | 300 | | | ns |
| $t_{SU(STOP)}$ | Setup time for STOP condition | 4 | | | μ s |
| $t_{(BUF)}$ | Bus free time between START and STOP condition | 4.7 | | | μ s |
| $F_{S(CL)}$ | Clock Frequency | 100 | | 400 | KHz |
| HOST COMMUNICATION FAILURE | | | | | |
| t_{BOOT} | Deglitch for watchdog reset signal | 10 | | | ms |
| t_{WDI} | Watchdog timeout period, ChargeOption() bit [6:5] = 01 ⁽¹⁾ | 35 | 44 | 53 | s |
| | Watchdog timeout period, ChargeOption() bit bit [6:5] = 10 ⁽¹⁾ | 70 | 88 | 105 | s |
| | Watchdog timeout period, ChargeOption() bit bit [6:5] = 11 ⁽¹⁾ (default) | 140 | 175 | 210 | s |

(1) User can adjust threshold via SMBus ChargeOption() REG0x01/00.

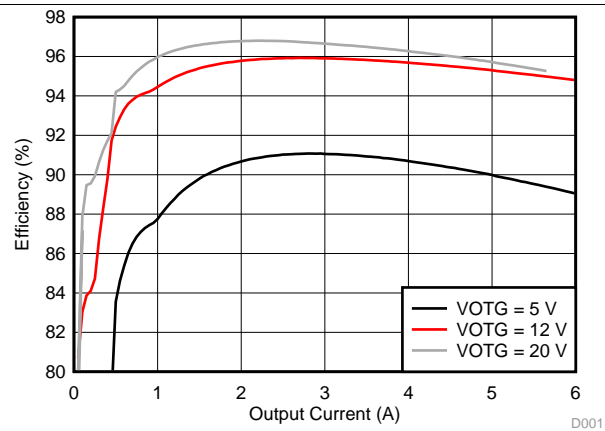
7.7 Typical Characteristics



Typical Characteristics (continued)



Typical Characteristics (continued)



⊠ 11. OTG Efficiency with 4S Battery

8 Detailed Description

8.1 Overview

The bq25703A is a buck boost NVDC (narrow voltage DC) charge controller for multi-chemistry portable applications such as notebook, detachable, ultrabook, tablet and other mobile devices with rechargeable batteries. It provides seamless transition between converter operation modes (buck, boost, or buck boost), fast transient response, and high light load efficiency.

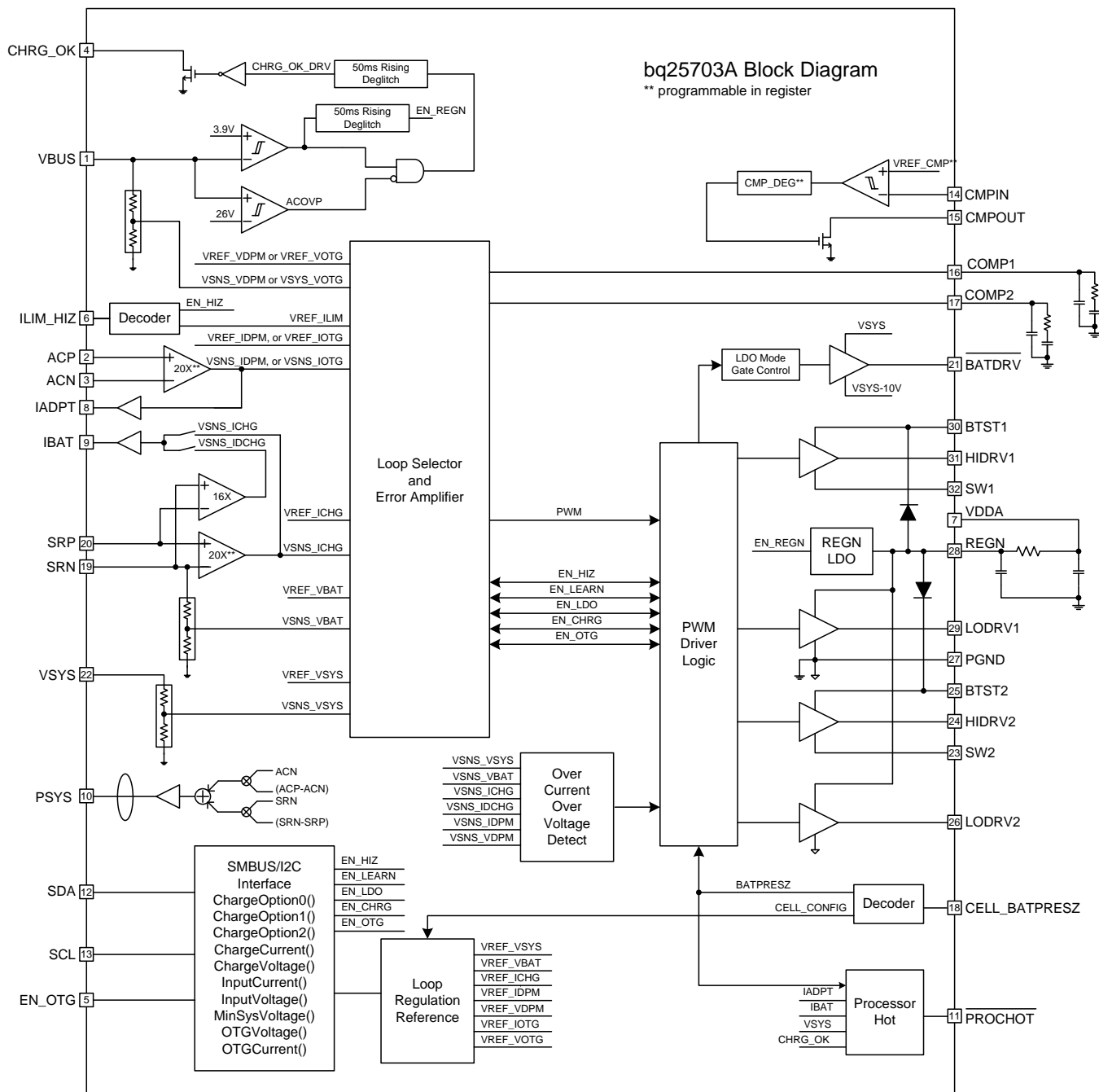
The bq25703A supports wide range of power sources, including USB PD ports, legacy USB ports, traditional AC-DC adapters, etc. It takes input voltage from 3.5 V to 24 V, and charges battery of 1-4 series. It also supports USB On-The-Go (OTG) to provide 4.48V to 20.8V output at USB port.

The bq25703A features Dynamic Power Management (DPM) to limit the input power and avoid AC adapter overloading. During battery charging, as the system power increases, the charging current will reduce to maintain total input current below adapter rating. If system power demand temporarily exceeds adapter rating, the bq25703A supports NVDC architecture to allow battery discharge energy to supplement system power. For details, refer to [System Voltage Regulation](#) section.

In order to be compliant with an Intel IMVP8 compliant system, the bq25703A includes PSYS function to monitor the total platform power from adapter and battery. Besides PSYS, it provides both an independent input current buffer (IADPT) and a battery current buffer (IBAT) with highly accurate current sense amplifiers. If the platform power exceeds the available power from adapter and battery, a $\overline{\text{PROCHOT}}$ signal is asserted to CPU so that the CPU optimizes its performance to the power available to the system.

The I2C controls input current, charge current and charge voltage registers with high resolution, high accuracy regulation limits. It also sets the $\overline{\text{PROCHOT}}$ timing and threshold profile to meet system requirements.

8.2 Functional Block Diagram



Copyright © 2017, Texas Instruments Incorporated

8.3 Feature Description

8.3.1 Power-Up from Battery Without DC Source

If only battery is present and the voltage is above V_{VBAT_UVLOZ} , the BATFET turns on and connects battery to system. By default, the charger is in low power mode ($REG0x01[7] = 1$) with lowest quiescent current. The LDO stays off. When device moves to performance mode ($REG0x01[7] = 0$), The host enables IBAT buffer through I2C to monitor discharge current. For PSYS, $\overline{PROCHOT}$ or independent comparator, REGN LDO is enabled for an accurate reference.

8.3.2 Power-Up From DC Source

When an input source plugs in, the charger checks the input source voltage to turn on LDO and all the bias circuits. It sets the input current limit before the converter starts.

The power-up sequence from DC source is as follows:

1. 50 ms after VBUS above V_{VBUS_CONVEN} , enable 6 V LDO and CHRГ_OK goes HIGH
2. Input voltage and current limit setup
3. Battery CELL configuration
4. 150 ms after VBUS above V_{VBUS_CONVEN} , converter powers up.

8.3.2.1 CHRГ_OK Indicator

CHRГ_OK is an active HIGH open drain indicator. It indicates the charger is in normal operation when the following conditions are valid:

- VBUS is above V_{VBUS_CONVEN}
- VBUS is below V_{ACOV}
- No MOSFET/inductor, or over-voltage, over-current, thermal shutdown fault

8.3.2.2 Input Voltage and Current Limit Setup

When CHRГ_OK goes LOW, the charger sets default input current limit in $REG0x0F/0E()$ to 3.30 A. The actual input current limit is the lower setting of $REG0x0F/0E()$ and ILIM_HIZ pin.

Charger initiates a VBUS voltage measurement without any load (VBUS at no load). The default VINDPM threshold is VBUS at no load – 1.28 V.

After input current and voltage limits are set, the charger device is ready to power up. The host can always update input current and voltage limit based on input source type.

8.3.2.3 Battery Cell Configuration

CELL_BATPRESZ pin is biased with resistors from REGN to CELL_BATPRESZ to GND. After VDDA LDO is activated, the device detects the battery configuration through CELL_BATPRESZ pin bias voltage. Refer to [Electrical Characteristics](#) for CELL setting thresholds.

表 1. Battery Cell Configuration

| CELL COUNT | PIN VOLTAGE w.r.t. VDDA | BATTERY VOLTAGE (REG0x15) | SYSOVP |
|------------|-------------------------|---------------------------|--------|
| 4S | 75% | 16.800V | 19.5V |
| 3S | 55% | 12.592V | 19.5V |
| 2S | 40% | 8.400V | 12V |
| 1S | 25% | 4.192V | 5V |

8.3.2.4 Device Hi-Z State

The charger enters Hi-Z mode when ILIM_HIZ pin voltage is below 0.4 V or $REG0x35[7]$ is set to 1. During Hi-Z mode, the input source is present, and the charger is in the low quiescent current mode with REGN LDO enabled.

8.3.3 USB On-The-Go (OTG)

The device supports USB OTG operation to deliver power from the battery to other portable devices through USB port. The OTG mode output voltage is set in REG0x07/06(). The OTG mode output current is set in REG0x09/08(). The OTG operation can be enabled if the conditions are valid:

- Valid battery voltage is set REG0x05/04()
- OTG output voltage is set in REG0x07/06() and output current is set in REG0x09/08()
- EN_OTG pin is HIGH and REG0x35[4] = 1
- VBUS is below V_{VBUS_UVLO}
- 10 ms after the above conditions are valid, converter starts and VBUS ramps up to target voltage. CHRГ_OK pin goes HIGH if REG0x01[3] = 1.

8.3.4 Converter Operation

The charger employs a synchronous buck-boost converter that allows charging from a standard 5-V or a high-voltage power source. The charger operates in buck, buck-boost and boost mode. The buck-boost can operate uninterruptedly and continuously across the three operation modes.

表 2. MOSFET Operation

| MODE | BUCK | BUCK-BOOST | BOOST |
|------|-----------|------------|-----------|
| Q1 | Switching | Switching | ON |
| Q2 | Switching | Switching | OFF |
| Q3 | OFF | Switching | Switching |
| Q4 | ON | Switching | Switching |

8.3.4.1 Inductor Setting through IADPT Pin

The charger reads the inductor value through the IADPT pin.

表 3. Inductor Setting on IADPT Pin

| INDUCTOR IN USE | RESISTOR ON IADPT PIN |
|-----------------|-----------------------|
| 1 μ H | 93 k Ω |
| 2.2 μ H | 137 k Ω |
| 3.3 μ H | 169 k Ω |

8.3.4.2 Continuous Conduction Mode (CCM)

With sufficient charge current, the inductor current does not cross 0 A, which is defined as CCM. The controller starts a new cycle with ramp coming up from 200 mV. As long as error amplifier output voltage is above the ramp voltage, the high-side MOSFET (HSFET) stays on. When the ramp voltage exceeds error amplifier output voltage, HSFET turns off and low-side MOSFET (LSFET) turns on. At the end of the cycle, ramp gets reset and LSFET turns off, ready for the next cycle. There is always break-before-make logic during transition to prevent cross-conduction and shoot-through. During the dead time when both MOSFETs are off, the body-diode of the low-side power MOSFET conducts the inductor current.

During CCM, the inductor current always flows and creates a fixed two-pole system. Having the LSFET turn-on when the HSFET is off keeps the power dissipation low and allows safe charging at high currents.

8.3.4.3 Pulse Frequency Modulation (PFM)

In order to improve converter light-load efficiency, the bq25703A switches to PFM control at light load. The effective switching frequency will decrease accordingly when system load decreases. The minimum frequency can be limit to 25 kHz (ChargeOption0() bit[10]=1).

8.3.5 Current and Power Monitor

8.3.5.1 High-Accuracy Current Sense Amplifier (IADPT and IBAT)

As an industry standard, a high-accuracy current sense amplifier (CSA) is used to monitor the input current during forward charging, or output current during OTG (IADPT) and the charge/discharge current (IBAT). IADPT voltage is 20× or 40× the differential voltage across ACP and ACN. IBAT voltage is 8×/16× (during charging), or 8×/16× (during discharging) of the differential across SRP and SRN. After input voltage or battery voltage is above UVLO, IADPT output becomes valid. To lower the voltage on current monitoring, a resistor divider from CSA output to GND can be used and accuracy over temperature can still be achieved.

- $V_{(IADPT)} = 20 \text{ or } 40 \times (V_{(ACP)} - V_{(ACN)})$ during forward mode, or $20 \text{ or } 40 \times (V_{(ACN)} - V_{(ACP)})$ during reverse OTG mode.
- $V_{(IBAT)} = 8 \text{ or } 16 \times (V_{(SRP)} - V_{(SRN)})$ during forward mode.
- $V_{(IBAT)} = 8 \text{ or } 16 \times (V_{(SRN)} - V_{(SRP)})$ during forward supplement mode, or reverse OTG mode.

A maximum 100-pF capacitor is recommended to connect on the output for decoupling high-frequency noise. An additional RC filter is optional, if additional filtering is desired. Note that adding filtering also adds additional response delay. The CSA output voltage is clamped at 3.3 V.

8.3.5.2 High-Accuracy Power Sense Amplifier (PSYS)

The charger monitors total system power. During forward mode, the input adapter powers system. During reverse OTG mode, the battery powers the system and VBUS output. The ratio of PSYS current and total power K_{PSYS} can be programmed in REG0x31[1] with default 1 $\mu\text{A/W}$. The input and charge sense resistors (RAC and RSR) are programmed in REG0x31[3:2]. PSYS voltage can be calculated with 式 1 where IIN>0 when adapter is in forward charging, and IBAT>0 when the battery is in discharge when the battery is in discharge.

$$V_{PSYS} = R_{PSYS} \times K_{PSYS} (V_{ACP} \times I_{IN} + V_{BAT} \times I_{BAT}) \quad (1)$$

For proper PSYS functionality, RAC and RSR values are limited to 10 mΩ and 20 mΩ.

8.3.6 Input Source Dynamic Power Manage

Refer to [Input Current and Input Voltage Registers for Dynamic Power Management](#).

8.3.7 Two-Level Adapter Current Limit (Peak Power Mode)

Usually adapter can supply current higher than DC rating for a few milliseconds to tens of milliseconds. The charger employs two-level input current limit, or peak power mode, to fully utilize the overloading capability and minimize battery discharge during CPU turbo mode. Peak power mode is enabled in REG0x33[5](EN_PKPWR_IDPM) or REG0x33[4](EN_PKPWR_VSYS). The DC current limit, or I_{LIM1} , is the same as adapter DC current, set in REG0x0F/0E(). The overloading current, or I_{LIM2} , is set in REG0x37[7:3], as a percentage of I_{LIM1} .

When the charger detects input current surge and battery discharge due to load transient, it applies I_{LIM2} for $T_{OVL D}$ in REG0x33[7:6], first, and then I_{LIM1} for up to $T_{MAX} - T_{OVL D}$ time. T_{MAX} is programmed in REG0x33[1:0]. After T_{MAX} , if the load is still high, another peak power cycle starts. Charging is disabled during T_{MAX} ; once T_{MAX} expires, charging continues. If $T_{OVL D}$ is programmed higher than T_{MAX} , then peak power mode is always on.

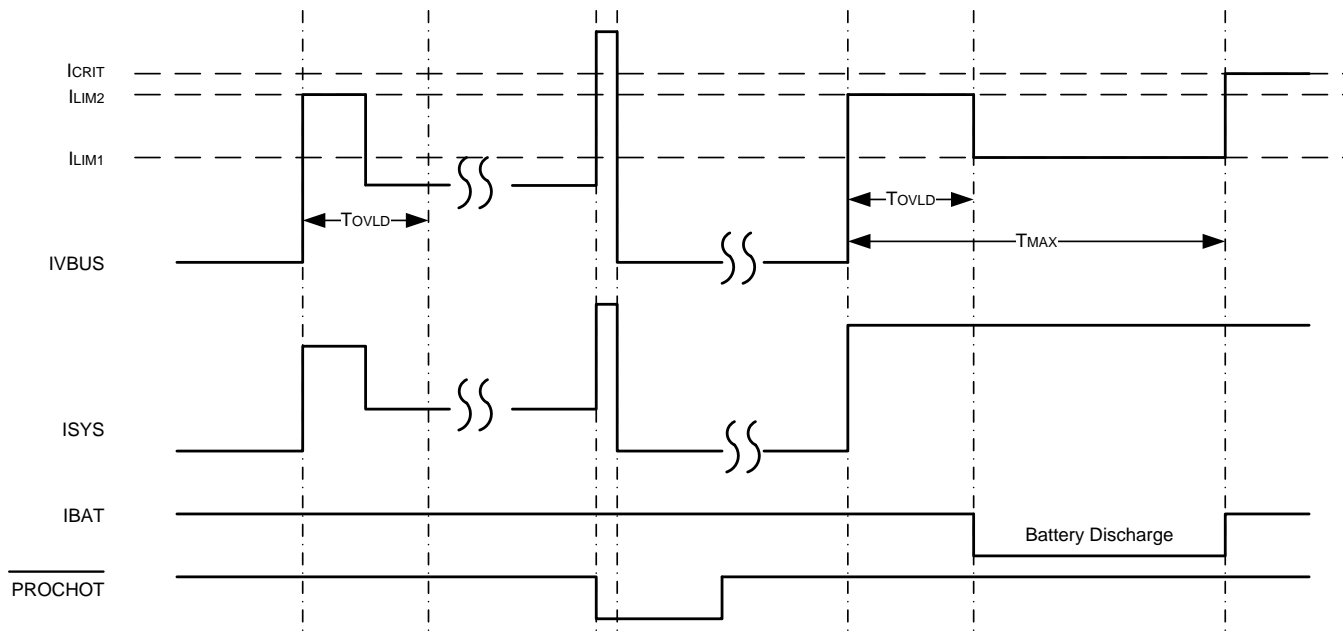


Figure 12. Two-Level Adapter Current Limit Timing Diagram

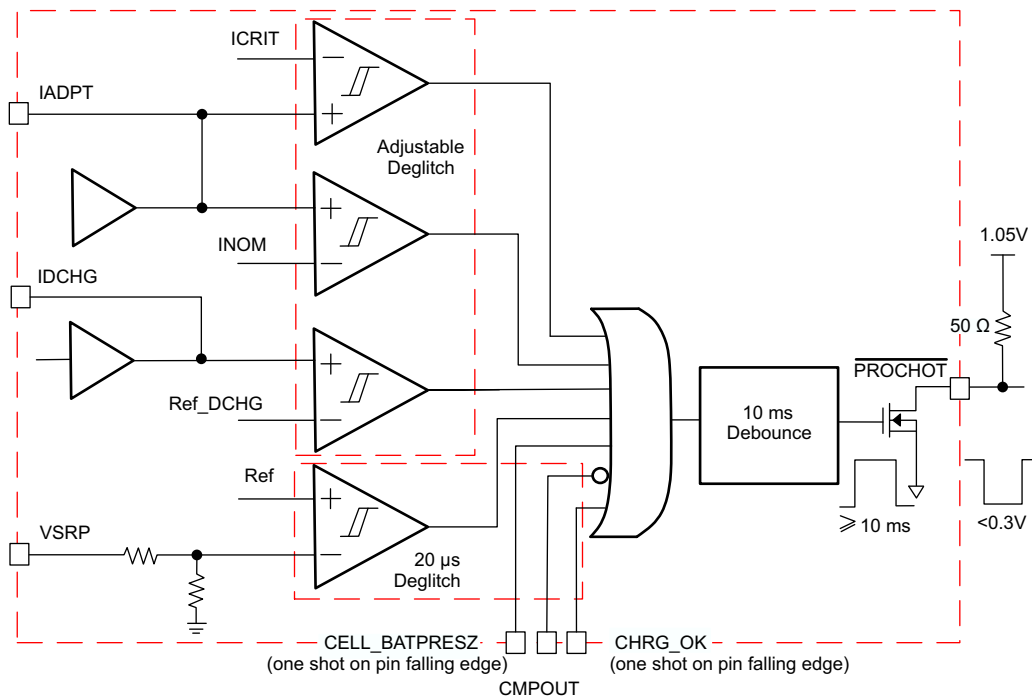
8.3.8 Processor Hot Indication

When CPU is running turbo mode, the system peak power may exceed available power from adapter and battery together. The adapter current and battery discharge peak current, or system voltage drop is indication that system power is too high. The charger processor hot function monitors these events, and $\overline{\text{PROCHOT}}$ pulse is asserted. Once CPU receives $\overline{\text{PROCHOT}}$ pulse from charger, it slows down to reduce system power. The processor hot function monitors these events, and $\overline{\text{PROCHOT}}$ pulse is asserted.

The $\overline{\text{PROCHOT}}$ triggering events include:

- ICRIT: adapter peak current, as 110% of I_{LIM2}
- INOM: adapter average current (110% of input current limit)
- IDCHG: battery discharge current
- VSYS: system voltage on VSYS
- Adapter Removal: upon adapter removal (CHRG_OK pin HIGH to LOW)
- Battery Removal: upon battery removal (CELL_BATPRESZ pin goes LOW)
- CMPOUT: Independent comparator output (CMPOUT pin HIGH to LOW)

The threshold of ICRIT, IDCHG or VSYS, and the deglitch time of ICRIT, INOM, IDCHG or CMPOUT are programmable through I2C. Each triggering event can be individually enabled in REG0x38[6:0]. When any event in $\overline{\text{PROCHOT}}$ profile is triggered, $\overline{\text{PROCHOT}}$ is asserted low for minimum 10 ms programmable in 0x36[4:3]. At the end of the 10 ms, if the $\overline{\text{PROCHOT}}$ event is still active, the pulse gets extended.



Copyright © 2017, Texas Instruments Incorporated

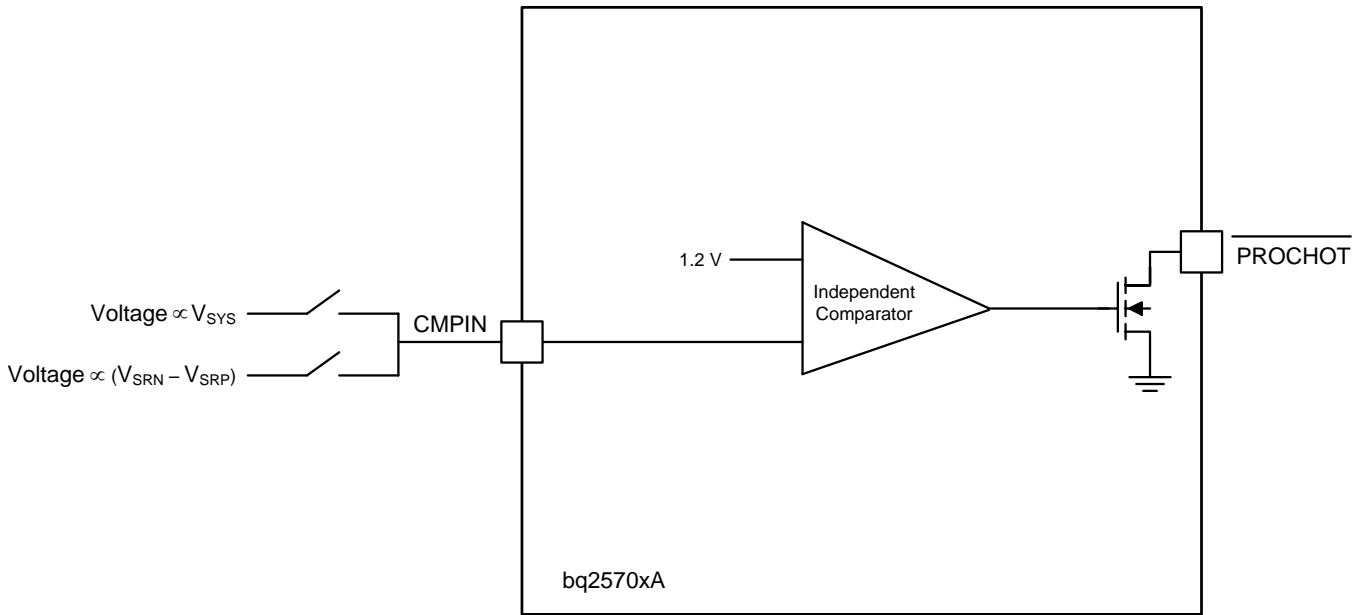
图 13. PROCHOT Profile

8.3.8.1 PROCHOT During Low Power Mode

During low power mode ($\text{REG0x01}[7] = 1$), the charger offers a low quiescent current ($\sim 150\ \mu\text{A}$). Low power PROCHOT function uses the independent comparator to monitor battery discharge current and system voltage, and assert PROCHOT to CPU.

Below lists the register setting to enable PROCHOT during low power mode.

- $\text{REG0x01}[7] = 1$
- $\text{REG0x38}[5:0] = 000000$
- $\text{REG0x30}[6:4] = 100$
- Independent comparator threshold is always 1.2 V
- When $\text{REG0x31}[6] = 1$, charger monitors discharge current. Connect CMPIN to voltage proportional to IBAT pin. PROCHOT triggers from HIGH to LOW when CMPIN voltage falls below 1.2 V.
- When $\text{REG0x31}[5] = 1$, charger monitors system voltage. Connect CMPIN to voltage proportional to system. PROCHOT triggers from HIGH to LOW when CMPIN voltage rises above 1.2 V.



Copyright © 2017, Texas Instruments Incorporated

14. PROCHOT Low Power Mode Implementation

8.3.8.2 PROCHOT Status

REG0x22[6:0] reports which event in the profile triggers PROCHOT by setting the corresponding bit to 1. The status bit can be reset back to 0 after it is read by host, and current PROCHOT event is no longer active.

Assume there are two PROCHOT events, event A and event B. Event A triggers PROCHOT first, but event B is also active. Both status bits will be HIGH. At the end of the 10 ms PROCHOT pulse, if PROCHOT is still active (either by A or B), the PROCHOT pulse is extended.

8.3.9 Device Protection

8.3.9.1 Watchdog Timer

The charger includes watchdog timer to terminate charging if the charger does not receive a write MaxChargeVoltage() or write ChargeCurrent() command within 175 s (adjustable via REG0x01[6:5]). When watchdog timeout occurs, all register values are kept unchanged except ChargeCurrent() resets to zero. Battery charging is suspended. Write MaxChargeVoltage() or write ChargeCurrent() commands must be re-sent to reset watchdog timer and resume charging. Writing REG0x01[6:5] = 00 to disable watchdog timer also resumes charging.

8.3.9.2 Input Overvoltage Protection (ACOV)

The charger has fixed ACOV voltage. When VBUS pin voltage is higher than ACOV, it is considered as adapter over voltage. CHRГ_OK will be pulled low, and converter will be disabled. As system falls below battery voltage, BATFET will be turned on. When VBUS pin voltage falls below ACOV, it is considered as adapter voltage returns back to normal voltage. CHRГ_OK is pulled high by external pull up resistor. The converter resumes if enable conditions are valid.

8.3.9.3 Input Overcurrent Protection (ACOC)

If the input current exceeds the 1.25x or 2x (REG0x32[2]) of I_{LIM2_VTH} (REG0x37[7:3]) set point, converter stops switching. After 300 ms, converter starts switching again.

8.3.9.4 System Overvoltage Protection (SYSOVP)

When the converter starts up, the bq25703A reads CELL pin configuration and sets MaxChargeVoltage() and SYSOVP threshold (1s – 5 V, 2s – 12 V, 3s/4s – 19.5 V). Before REGx05/04() is written by the host, the battery configuration will change with CELL pin voltage. When SYSOVP happens, the device latches off the converter. REG20[4] is set as 1. The user can clear latch-off by either writing 0 to the SYSOVP bit or removing and plugging in the adapter again. After latch-off is cleared, the converter starts again.

8.3.9.5 Battery Overvoltage Protection (BATOVP)

Battery over-voltage may happen when battery is removed during charging or the user plugs in a wrong battery. The BATOVP threshold is 104% (1 s) or 102% (2 s to 4 s) of regulation voltage set in REG0x05/04().

8.3.9.6 Battery Short

If BAT voltage falls below SYSMIN during charging, the maximum current is limited to 384 mA.

8.3.9.7 Thermal Shutdown (TSHUT)

The WQFN package has low thermal impedance, which provides good thermal conduction from the silicon to the ambient, to keep junction temperatures low. As added level of protection, the charger converter turns off for self-protection whenever the junction temperature exceeds the 155°C. The charger stays off until the junction temperature falls below 135°C. During thermal shut down, the LDO current limit is reduced to 16 mA and REGN LDO stays off. When the temperature falls below 135°C, charge can be resumed with soft start.

8.4 Device Functional Modes

8.4.1 Forward Mode

When input source is connected to VBUS, bq25703A is in forward mode to regulate system and charge battery.

8.4.1.1 System Voltage Regulation with Narrow VDC Architecture

The bq25703A employs Narrow VDC architecture (NVDC) with BATFET separating system from battery. The minimum system voltage is set by MinSystemVoltage(). Even with a deeply depleted battery, the system is regulated above the minimum system voltage.

When the battery is below minimum system voltage setting, the BATFET operates in linear mode (LDO mode).

As the battery voltage rises above the minimum system voltage, BATFET is fully on when charging or in supplement mode and the voltage difference between the system and battery is the VDS of BATFET. System voltage is regulated 160 mV above battery voltage when BATFET is off (no charging or no supplement current).

See [System Voltage Regulation](#) for details on system voltage regulation and register programming.

8.4.1.2 Battery Charging

The bq25703A charges 1-4 cell battery in constant current (CC), and constant voltage (CV) mode. Based on CELL_BATPREZ pin setting, the charger sets default battery voltage 4.2V/cell to ChargeVoltage(), or REG0x05/04(). According to battery capacity, the host programs appropriate charge current to ChargeCurrent(), or REG0x03/02(). When battery is full or battery is not in good condition to charge, host terminates charge by setting REG0x00[0] to 1, or setting ChargeCurrent() to zero.

See [Feature Description](#) for details on register programming.

8.4.2 USB On-The-Go

The bq25703A supports USB OTG functionality to deliver power from the battery to other portable devices through USB port (reverse mode). The OTG output voltage is compliant with USB PD specification, including 5 V, 9 V, 15 V, and 20 V (REG0x07/06()). The output current regulation is compliant with USB type C specification, including 500 mA, 1.5 A, 3 A and 5 A (REG0x09/08()).

Similar to forward operation, the device switches from PWM operation to PFM operation at light load to improve efficiency.

8.5 Programming

The charger supports battery-charger commands that use either Write-Word or Read-Word protocols, as summarized in 表 4. The I2C address is D6h (1101101_X), where X is the read/write bit. The ManufacturerID and DeviceID registers are assigned identify the charger device. The ManufacturerID register command always returns 40h.

8.5.1 I²C Serial Interface

The bq25703A uses I2C compatible interface for flexible charging parameter programming and instantaneous device status reporting. I²C is a bi-directional 2-wire serial interface. Only two bus lines are required: a serial data line (SDA) and a serial clock line (SCL). Devices can be considered as masters or slaves when performing data transfers. A master is the device which initiates a data transfer on the bus and generates the clock signals to permit that transfer. At that time, any device addressed is considered a slave.

The device operates as a slave device with address D6h, receiving control inputs from the master device like micro controller or a digital signal processor through REG00-REG0F. The I²C interface supports both standard mode (up to 100 kbits), and fast mode (up to 400 kbits). connecting to the positive supply voltage via a current source or pull-up resistor. When the bus is free, both lines are HIGH. The SDA and SCL pins are open drain.

8.5.1.1 Data Validity

The data on the SDA line must be stable during the HIGH period of the clock. The HIGH or LOW state of the data line can only change when the clock signal on the SCL line is LOW. One clock pulse is generated for each data bit transferred.

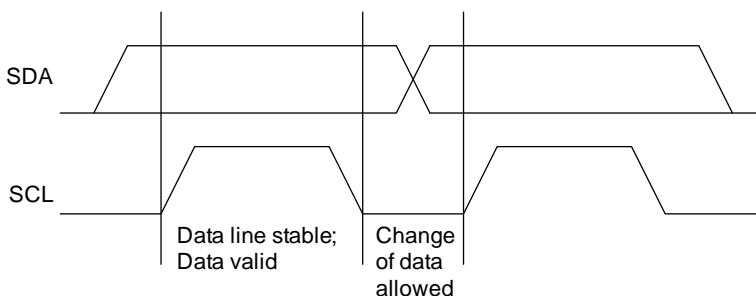


图 15. Bit Transfer on the I²C Bus

8.5.1.2 START and STOP Conditions

All transactions begin with a START (S) and can be terminated by a STOP (P). A HIGH to LOW transition on the SDA line while SCL is HIGH defines a START condition. A LOW to HIGH transition on the SDA line when the SCL is HIGH defines a STOP condition.

START and STOP conditions are always generated by the master. The bus is considered busy after the START condition, and free after the STOP condition.

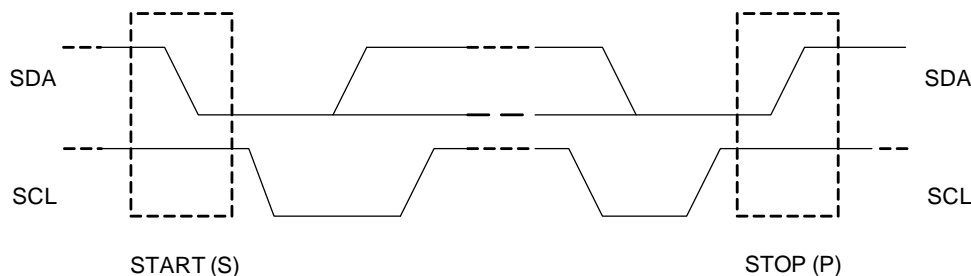
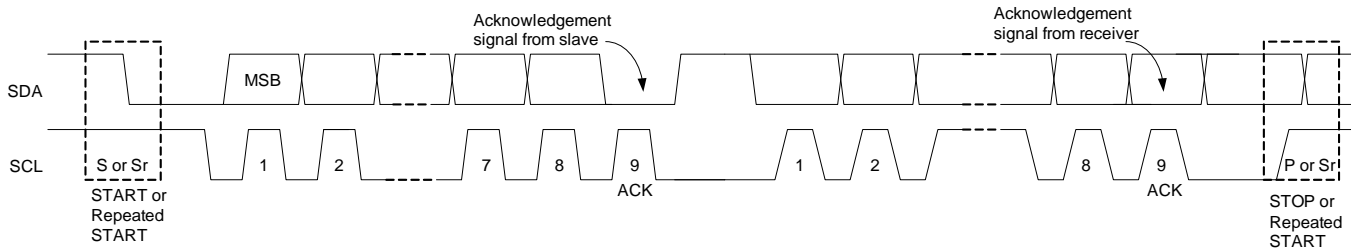


图 16. START and STOP Conditions

Programming (continued)

8.5.1.3 Byte Format

Every byte on the SDA line must be 8 bits long. The number of bytes to be transmitted per transfer is unrestricted. Each byte has to be followed by an Acknowledge bit. Data is transferred with the Most Significant Bit (MSB) first. If a slave cannot receive or transmit another complete byte of data until it has performed some other function, it can hold the clock line SCL low to force the master into a wait state (clock stretching). Data transfer then continues when the slave is ready for another byte of data and release the clock line SCL.



✶ 17. Data Transfer on the I²C Bus

8.5.1.4 Acknowledge (ACK) and Not Acknowledge (NACK)

The acknowledge takes place after every byte. The acknowledge bit allows the receiver to signal the transmitter that the byte was successfully received and another byte may be sent. All clock pulses, including the acknowledge 9th clock pulse, are generated by the master.

The transmitter releases the SDA line during the acknowledge clock pulse so the receiver can pull the SDA line LOW and it remains stable LOW during the HIGH period of this clock pulse.

When SDA remains HIGH during the 9th clock pulse, this is the Not Acknowledge signal. The master can then generate either a STOP to abort the transfer or a repeated START to start a new transfer.

Programming (continued)

8.5.1.5 Slave Address and Data Direction Bit

After the START, a slave address is sent. This address is 7 bits long followed by the eighth bit as a data direction bit (bit R/W). A zero indicates a transmission (WRITE) and a one indicates a request for data (READ).

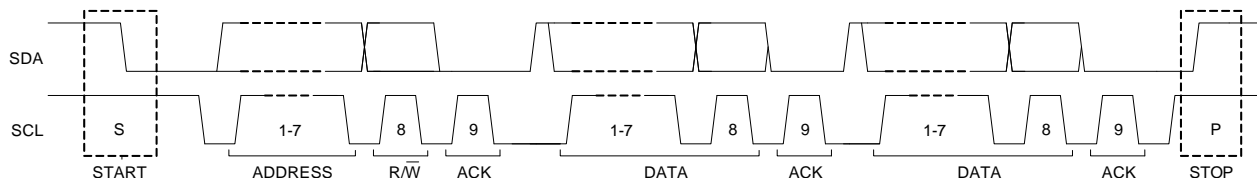


Figure 18. Complete Data Transfer

8.5.1.6 Single Read and Write

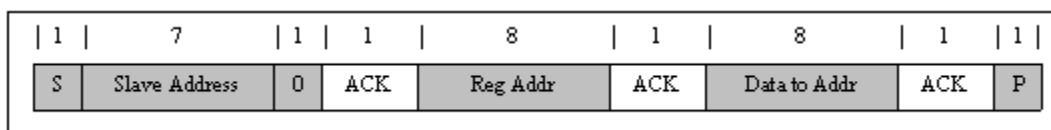


Figure 19. Single Write

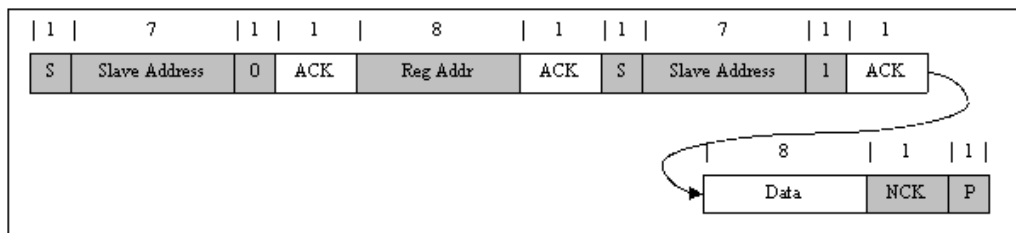


Figure 20. Single Read

If the register address is not defined, the charger IC send back NACK and go back to the idle state.

8.5.1.7 Multi-Read and Multi-Write

The charger device supports multi-read and multi-write.

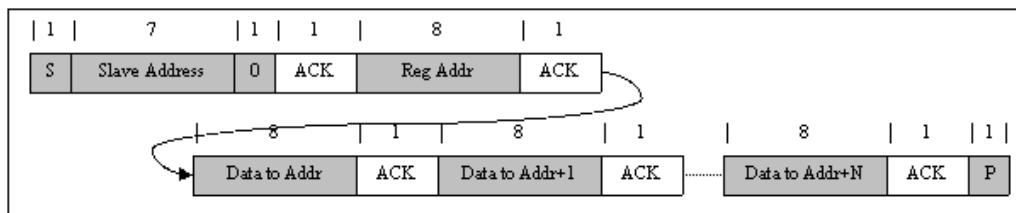
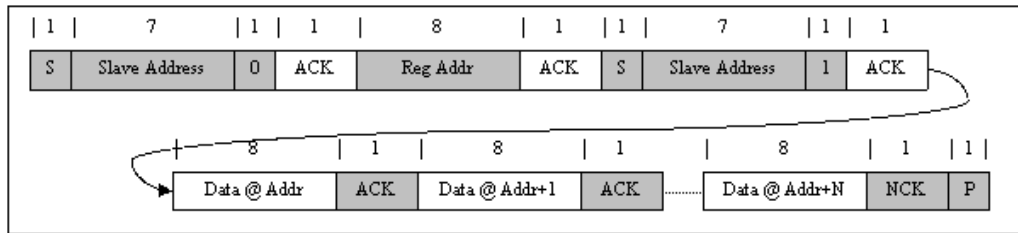


Figure 21. Multi Write

Programming (continued)



☒ 22. Multi Read

8.5.1.8 Write 2-Byte I2C Commands

A few I2C commands combine two 8-bit registers together to form a complete value. These commands include:

- ChargeCurrent()
- MaxChargeVoltage()
- IIN_DPM()
- OTGVoltage()
- InputVoltage()

Host has to write LSB command followed by MSB command. No other command can be inserted in between these two writes. The charger waits for the complete write to the two registers to decide whether to accept or ignore the new value.

After the completion of LSB and MSB bytes, the two bytes will be updated at the same time. If host writes MSB byte first, the command will be ignored. If the time between write of LSB and MSB bytes exceeds watchdog timer, both the LSB and MSB commands will be ignored.

8.6 Register Map

表 4. Charger Command Summary

| I2C ADDR (MSB/LSB) | REGISTER NAME | TYPE | DESCRIPTION | LINKS |
|--------------------|--------------------|------|--|--------------------|
| 01/00h | ChargeOption0() | R/W | Charge Option 0 | Go |
| 03/02h | ChargeCurrent() | R/W | 7-bit charge current setting LSB 64 mA, Range 8128 mA | Go |
| 05/04h | MaxChargeVoltage() | R/W | 11-bit charge voltage setting LSB 16 mV, Default: 1S-4192mV, 2S-8400mV, 3S-12592mV, 4S-16800mV | Go |
| 31/30h | ChargeOption1() | R/W | Charge Option 1 | Go |
| 33/32h | ChargeOption2() | R/W | Charge Option 2 | Go |
| 35/34h | ChargeOption3() | R/W | Charge Option 3 | Go |
| 37/36h | ProchotOption0() | R/W | $\overline{\text{PROCHOT}}$ Option 0 | Go |
| 39/38h | ProchotOption1() | R/W | $\overline{\text{PROCHOT}}$ Option 1 | Go |
| 3B/3Ah | ADCOption() | R/W | ADC Option | Go |
| 21/20h | ChargerStatus() | R | Charger Status | Go |
| 23/22h | ProchotStatus() | R | Prochot Status | Go |
| 25/24h | IIN_DPM() | R | 7-bit input current limit in use LSB: 50 mA, Range: 50 mA - 6400 mA | Go |
| 27/26h | ADCVBUS/PSYS() | R | 8-bit digital output of input voltage, 8-bit digital output of system power PSYS: Full range: 3.06 V, LSB: 12 mV VBUS: Full range: 3.2 V - 19.52 V, LSB 64 mV | Go |

Register Map (continued)
表 4. Charger Command Summary (continued)

| I2C ADDR (MSB/LSB) | REGISTER NAME | TYPE | DESCRIPTION | LINKS |
|--------------------|--------------------|------|---|--------------------|
| 29/28h | ADCIBAT() | R | 8-bit digital output of battery charge current, 8-bit digital output of battery discharge current ICHG: Full range 8.128 A, LSB 64 mA IDCHG: Full range: 32.512 A, LSB: 256 mA | Go |
| 2B/2Ah | ADCIINCPIN() | R | 8-bit digital output of input current, 8-bit digital output of CMPIN voltage POR State - IIN: Full range: 12.75 A, LSB 50 mA CMPIN: Full range 3.06 V, LSB: 12 mV | Go |
| 2D/2Ch | ADCVSYSVBAT() | R | 8-bit digital output of system voltage, 8-bit digital output of battery voltage VSYS: Full range: 2.88 V - 19.2 V, LSB: 64 mV VBAT: Full range : 2.88 V - 19.2 V, LSB 64 mV | Go |
| 07/06h | OTGVoltage() | R/W | 8-bit OTG voltage setting LSB 64 mV, Range: 4480 – 20800 mV | Go |
| 09/08h | OTGCurrent() | R/W | 7-bit OTG output current setting LSB 50 mA, Range: 0 A – 6350 mA | Go |
| 0B/0Ah | InputVoltage() | R/W | 8-bit input voltage setting LSB 64 mV, Range: 3200 mV – 19520 mV | Go |
| 0D/0Ch | MinSystemVoltage() | R/W | 6-Bit minimum system voltage setting LSB: 256 mV, Range: 1024 mV - 16182 mV Default: 1S-3.584V, 2S-6.144V, 3S-9.216V, 4S-12.288V | Go |
| 0F/0Eh | IIN_HOST() | R/W | 6-bit Input current limit set by host LSB: 50-mA, Range: 50 mA - 6400 mA with 50 mA offset | Go |
| 2Eh | ManufacturerID() | R | Manufacturer ID - 0x0040H | Go |
| 2Fh | DeviceID() | R | Device ID | Go |

8.6.1 Setting Charge and PROCHOT Options

8.6.1.1 ChargeOption0 Register (I2C address = 01/00h) [reset = E20Eh]

图 23. ChargeOption0 Register (I2C address = 01/00h) [reset = E20Eh]

| 7 | 6 | 5 | 4 | 3 | 2 | 1 | 0 |
|----------|-----------|---|-------------------|---------------|--------|----------|--------------|
| EN_LWPWR | WDTMR_ADJ | | IDPM_AUTO_DISABLE | OTG_ON_CHRGOK | EN_OOA | PWM_FREQ | Reserved |
| R/W | R/W | | R/W | R/W | R/W | R/W | R/W |
| 7 | 6 | 5 | 4 | 3 | 2 | 1 | 0 |
| Reserved | EN_LEARN | | IADPT_GAIN | IBAT_GAIN | EN_LDO | EN_IDPM | CHRG_INHIBIT |
| R/W | R/W | | R/W | R/W | R/W | R/W | R/W |

LEGEND: R/W = Read/Write; R = Read only; -n = value after reset

表 5. ChargeOption0 Register (I2C address = 01h) Field Descriptions

| I2C 01h | FIELD | TYPE | RESET | DESCRIPTION |
|---------|-------------------|------|-------|---|
| 7 | EN_LWPWR | R/W | 1b | Low Power Mode Enable 0b: Disable Low Power Mode. Device in performance mode with battery only. The PROCHOT, current/power monitor buffer and comparator follow register setting. 1b: Enable Low Power Mode. Device in low power mode with battery only for lowest quiescent current. PROCHOT, discharge current monitor buffer, power monitor buffer and independent comparator are disabled. ADC is not available in Low Power Mode. Independent comparator can be enabled by setting either REG0X31()[6] or [5] to 1. <default at POR> |
| 6-5 | WDTMR_ADJ | R/W | 11b | WATCHDOG Timer Adjust Set maximum delay between consecutive I2C write of charge voltage or charge current command. If device does not receive a write on the REG0x05/04() or the REG0x03/02() within the watchdog time period, the charger will be suspended by setting the REG0x03/02() to 0 mA. After expiration, the timer will resume upon the write of REG0x03/02(), REG0x05/04() or REG0x01[6:5]. The charger will resume if the values are valid. 00b: Disable Watchdog Timer 01b: Enabled, 5 sec 10b: Enabled, 88 sec 11b: Enable Watchdog Timer, 175 sec <default at POR> |
| 4 | IDPM_AUTO_DISABLE | R/W | 0b | IDPM Auto Disable When CELL_BATPRESZ pin is LOW, the charger automatically disables the IDPM function by setting EN_IDPM (REG0x00[1]) to 0. The host can enable IDPM function later by writing EN_IDPM bit (REG0x00[1]) to 1. 0b: Disable this function. IDPM is not disabled when CELL_BATPRESZ goes LOW. <default at POR> 1b: Enable this function. IDPM is disabled when CELL_BATPRESZ goes LOW. |
| 3 | OTG_ON_CHRGOK | R/W | 0b | Add OTG to CHRG_OK Drive CHRG_OK to HIGH when the device is in OTG mode. 0b: Disable <default at POR> 1b: Enable |
| 2 | EN_OOA | R/W | 0b | Out-of-Audio Enable 0b: No limit of PFM burst frequency <default at POR> 1b: Set minimum PFM burst frequency to above 25 kHz to avoid audio noise |

表 5. ChargeOption0 Register (I2C address = 01h) Field Descriptions (continued)

| I2C 01h | FIELD | TYPE | RESET | DESCRIPTION |
|---------|----------|------|-------|--|
| 1 | PWM_FREQ | R/W | 1b | Switching Frequency Two converter switching frequencies. One for small inductor and the other for big inductor. Recommend 800 kHz with 2.2 μ H or 3.3 μ H, and 1.2 MHz with 1 μ H or 1.5 μ H. Host has to set the right PWM frequency after device POR. 0b: 1200 kHz 1b: 800 kHz <default at POR> |
| 0 | Reserved | R/W | 0b | Reserved |

表 6. ChargeOption0 Register (I2C address = 00h) Field Descriptions

| I2C 00h | FIELD | TYPE | RESET | DESCRIPTION |
|---------|--------------|------|-------|--|
| 7-6 | Reserved | R/W | 00b | Reserved |
| 5 | EN_LEARN | R/W | 0b | LEARN function allows the battery to discharge while the adapter is present. It calibrates the battery gas gauge over a complete discharge/charge cycle. When the battery voltage is below battery depletion threshold, the system switches back to adapter input by the host. When CELL_BATPRESZ pin is LOW, the device exits LEARN mode and this bit is set back to 0. 0b: Disable LEARN Mode <default at POR> 1b: Enable LEARN Mode |
| 4 | IADPT_GAIN | R/W | 0b | IADPT Amplifier Ratio The ratio of voltage on IADPT and voltage across ACP and ACN. 0b: 20x <default at POR> 1b: 40x |
| 3 | IBAT_GAIN | R/W | 1b | IBAT Amplifier Ratio The ratio of voltage on IBAT and voltage across SRP and SRN 0b: 8x 1b: 16x <default at POR> |
| 2 | EN_LDO | R/W | 1b | LDO Mode Enable When battery voltage is below minimum system voltage (REG0x0D/0C()), the charger is in pre-charge with LDO mode enabled. 0b: Disable LDO mode, BATFET fully ON. Precharge current is set by battery pack internal resistor. The system is regulated by the MaxChargeVoltage register. 1b: Enable LDO mode, Precharge current is set by the ChargeCurrent register and clamped below 384 mA (2 cell – 4 cell) or 2A (1 cell). The system is regulated by the MinSystemVoltage register. <default at POR> |
| 1 | EN_IDPM | R/W | 1b | IDPM Enable Host writes this bit to enable IDPM regulation loop. When the IDPM is disabled by the charger (refer to IDPM_AUTO_DISABLE), this bit goes LOW. 0b: IDPM disabled 1b: IDPM enabled <default at POR> |
| 0 | CHRG_INHIBIT | R/W | 0b | Charge Inhibit When this bit is 0, battery charging will start with valid values in the MaxChargeVoltage register and the ChargeCurrent register. 0b: Enable Charge <default at POR> 1b: Inhibit Charge |

8.6.1.2 ChargeOption1 Register (I2C address = 31/30h) [reset = 211h]
图 24. ChargeOption1 Register (I2C address = 31/30h) [reset = 211h]

| | | | | | | | | | | | | | | | |
|---------|-----------------|---------|--|---------|----------------|----------|------------|--------------|----------------|---|--|---|--|---|--|
| 7 | | 6 | | 5 | | 4 | | 3 | | 2 | | 1 | | 0 | |
| EN_IBAT | EN_PROCHOT_LPWR | | | EN_PSYS | RSNS_RAC | RSNS_RSR | PSYS_RATIO | | Reserved | | | | | | |
| R/W | R/W | | | R/W | R/W | R/W | R/W | | R/W | | | | | | |
| 7 | | 6 | | 5 | | 4 | | 3 | | 2 | | 1 | | 0 | |
| CMP_REF | CMP_POL | CMP_DEG | | | FORCE_LATCHOFF | Reserved | | EN_SHIP_DCHG | AUTO_WAKEUP_EN | | | | | | |
| R/W | R/W | R/W | | | R/W | R/W | | R/W | R/W | | | | | | |

LEGEND: R/W = Read/Write; R = Read only; -n = value after reset

表 7. ChargeOption1 Register (I2C address = 31h) Field Descriptions

| I2C 31h | FIELD | TYPE | RESET | DESCRIPTION |
|---------|-----------------|------|-------|---|
| 7 | EN_IBAT | R/W | 0b | IBAT Enable Enable the IBAT output buffer. In low power mode (REG0x01[7] = 1), IBAT buffer is always disabled regardless of this bit value. 0b Turn off IBAT buffer to minimize Iq <default at POR> 1b: Turn on IBAT buffer |
| 6-5 | EN_PROCHOT_LPWR | R/W | 00b | Enable $\overline{\text{PROCHOT}}$ during battery only low power mode With battery only, enable IDCHG or VSYS in $\overline{\text{PROCHOT}}$ with low power consumption. Do not enable this function with adapter present. Refer to PROCHOT During Low Power Mode for more details. 00b: Disable low power $\overline{\text{PROCHOT}}$ <default at POR> 01b: Enable IDCHG low power $\overline{\text{PROCHOT}}$ 10b: Enable VSYS low power $\overline{\text{PROCHOT}}$ 11b: Reserved |
| 4 | EN_PSYS | R/W | 0b | PSYS Enable Enable PSYS sensing circuit and output buffer (whole PSYS circuit). In low power mode (REG0x01[7] = 1), PSYS sensing and buffer are always disabled regardless of this bit value. 0b: Turn off PSYS buffer to minimize Iq <default at POR> 1b: Turn on PSYS buffer |
| 3 | RSNS_RAC | R/W | 0b | Input sense resistor RAC 0b: 10 mΩ <default at POR> 1b: 20 mΩ |
| 2 | RSNS_RSR | R/W | 0b | Charge sense resistor RSR 0b: 10 mΩ <default at POR> 1b: 20 mΩ |
| 1 | PSYS_RATIO | R/W | 1b | PSYS Gain Ratio of PSYS output current vs total input and battery power with 10-mΩ sense resistor. 0b: 0.25 μA/W 1b: 1 μA/W <default at POR> |
| 0 | Reserved | R/W | 0b | Reserved |

表 8. ChargeOption1 Register (I2C address = 30h) Field Descriptions

| I2C 30h | FIELD | TYPE | RESET | DESCRIPTION |
|---------|---------|------|-------|---|
| 7 | CMP_REF | R/W | 0b | Independent Comparator Internal Reference. 0b: 2.3 V <default at POR> 1b: 1.2 V |

表 8. ChargeOption1 Register (I2C address = 30h) Field Descriptions (continued)

| I2C 30h | FIELD | TYPE | RESET | DESCRIPTION |
|---------|----------------|------|-------|--|
| 6 | CMP_POL | R/W | 0b | Independent Comparator Output Polarity 0b: When CMPIN is above internal threshold, CMPOUT is LOW (internal hysteresis) <default at POR> 1b: When CMPIN is below internal threshold, CMPOUT is LOW (external hysteresis) |
| 5-4 | CMP_DEG | R/W | 01b | Independent Comparator Deglitch Time, only applied to the falling edge of CMPOUT (HIGH → LOW). 00b: Independent comparator is disabled 01b: Independent comparator is enabled with output deglitch time 1 μs <default at POR> 10b: Independent comparator is enabled with output deglitch time of 2 ms 11b: Independent comparator is enabled with output deglitch time of 5 sec |
| 3 | FORCE_LATCHOFF | R/W | 0b | Force Power Path Off When independent comparator triggers, charger turns off Q1 and Q4 (same as disable converter) so that the system is disconnected from the input source. At the same time, CHRG_OK signal goes to LOW to notify the system. 0b: Disable this function <default at POR> 1b: Enable this function |
| 2 | Reserved | R/W | 0b | Reserved |
| 1 | EN_SHIP_DCHG | R/W | 0b | Discharge SRN for Shipping Mode When this bit is 1, discharge SRN pin down below 3.8 V in 140 ms. When 140 ms is over, this bit is reset to 0. 0b: Disable shipping mode <default at POR> 1b: Enable shipping mode |
| 0 | AUTO_WAKEUP_EN | R/W | 1b | Auto Wakeup Enable When this bit is HIGH, if the battery is below minimum system voltage (REG0x0D/0C()), the device will automatically enable 128 mA charging current for 30 mins. When the battery is charged up above minimum system voltage, charge will terminate and the bit is reset to LOW. 0b: Disable 1b: Enable <default at POR> |

8.6.1.3 ChargeOption2 Register (I2C address = 33/32h) [reset = 2B7]
图 25. ChargeOption2 Register (I2C address = 33/32h) [reset = 2B7]

| | | | | | | | |
|-----------------|---------------|---------------|-----------------|------------------|-----------------|----------|-----------|
| 7 | 6 | 5 | 4 | 3 | 2 | 1 | 0 |
| PKPWR_TOVLD_DEG | EN_PKPWR_IDPM | EN_PKPWR_VSYS | PKPWR_OVLD_STAT | PKPWR_RELAX_STAT | PKPWR_TMAX[1:0] | | |
| R/W | R/W | R/W | R/W | R/W | R/W | R/W | |
| 7 | 6 | 5 | 4 | 3 | 2 | 1 | 0 |
| EN_EXTILIM | EN_ICHG_IDCHG | Q2_OCP | ACX_OCP | EN_ACOC | ACOC_VTH | EN_BATOC | BATOC_VTH |
| R/W | R/W | R/W | R/W | R/W | R/W | R/W | R/W |

LEGEND: R/W = Read/Write; R = Read only; -n = value after reset

表 9. ChargeOption2 Register (I2C address = 33h) Field Descriptions

| I2C 33h | FIELD | TYPE | RESET | DESCRIPTION |
|------------|------------------|------|-------|---|
| 7-6 | PKPWR_TOVLD_DEG | R/W | 00b | Input Overload time in Peak Power Mode 00b: 1 ms <default at POR> 01b: 2 ms 10b: 10 ms 11b: 20 ms |
| 5 | EN_PKPWR_IDPM | R/W | 0b | Enable Peak Power Mode triggered by input current overshoot If REG0x33[5:4] are 00b, peak power mode is disabled. Upon adapter removal, the bits are reset to 00b. 0b: Disable peak power mode triggered by input current overshoot <default at POR> 1b: Enable peak power mode triggered by input current overshoot. |
| 4 | EN_PKPWR_VSYS | R/W | 0b | Enable Peak Power Mode triggered by system voltage under-shoot If REG0x33[5:4] are 00b, peak power mode is disabled. Upon adapter removal, the bits are reset to 00b. 0b: Disable peak power mode triggered by system voltage under-shoot <default at POR> 1b: Enable peak power mode triggered by system voltage under-shoot. |
| 3 | PKPWR_OVLD_STAT | R/W | 0b | Indicator that the device is in overloading cycle. Write 0 to get out of overloading cycle. 0b: Not in peak power mode. <default at POR> 1b: In peak power mode. |
| 2 | PKPWR_RELAX_STAT | R/W | 0b | Indicator that the device is in relaxation cycle. Write 0 to get out of relaxation cycle. 0b: Not in relaxation cycle. <default at POR> 1b: In relaxation mode. |
| 1-0 | PKPWR_TMAX[1:0] | R/W | 10b | Peak power mode overload and relax cycle time. When REG0x33[7:6] is programmed longer than REG0x33[1:0], there is no relax time. 00b: 5 ms 01b: 10 ms 10b: 20 ms <default at POR> 11b: 40 ms |

表 10. ChargeOption2 Register (I2C address = 32h) Field Descriptions

| I2C 32h | FIELD | TYPE | RESET | DESCRIPTION |
|---------|---------------|------|-------|--|
| 7 | EN_EXTILIM | R/W | 1b | Enable ILIM_HIZ pin to set input current limit 0b: Input current limit is set by REG0x0F/0E. 1b: Input current limit is set by the lower value of ILIM_HIZ pin and REG0x0F/0E. <default at POR> |
| 6 | EN_ICHG_IDCHG | R/W | 0b | 0b: IBAT pin as discharge current. <default at POR> 1b: IBAT pin as charge current. |
| 5 | Q2_OCP | R/W | 1b | Q2 OCP threshold by sensing Q2 VDS 0b: 210 mV 1b: 150 mV <default at POR> |
| 4 | ACX_OCP | R/W | 1b | Input current OCP threshold by sensing ACP-ACN. 0b: 280 mV 1b: 150 mV <default at POR> |
| 3 | EN_ACOC | R/W | 0b | ACOC Enable Input overcurrent (ACOC) protection by sensing the voltage across ACP and ACN. Upon ACOC (after 100- μ s blank-out time), converter is disabled. 0b: Disable ACOC <default at POR> 1b: ACOC threshold 125% or 200% ICRIT |
| 2 | ACOC_VTH | R/W | 1b | ACOC Limit Set MOSFET OCP threshold as percentage of IDPM with current sensed from R _{AC} . 0b: 125% of ICRIT 1b: 210% of ICRIT <default at POR> |
| 1 | EN_BATOC | R/W | 1b | BATOC Enable Battery discharge overcurrent (BATOC) protection by sensing the voltage across SRN and SRP. Upon BATOC, converter is disabled. 0b: Disable BATOC 1b: BATOC threshold 125% or 200% $\overline{\text{PROCHOT}}$ IDCHG <default at POR> |
| 0 | BATOC_VTH | R/W | 1b | Set battery discharge overcurrent threshold as percentage of $\overline{\text{PROCHOT}}$ battery discharge current limit. 0b: 125% of $\overline{\text{PROCHOT}}$ IDCHG 1b: 200% of $\overline{\text{PROCHOT}}$ IDCHG <default at POR> |

8.6.1.4 ChargeOption3 Register (I2C address = 35/34h) [reset = 0h]
☒ 26. ChargeOption3 Register (I2C address = 35/34h) [reset = 0h]

| 7 | 6 | 5 | 4 | 3 | 2 | 1 | 0 |
|----------|-----------|--------------|--------|-------------|----------|---------------|----------------|
| EN_HIZ | RESET_REG | RESET_VINDPM | EN_OTG | EN_ICO_MODE | Reserved | | |
| R/W | R/W | R/W | R/W | R/W | R/W | | |
| 7 | 6 | 5 | 4 | 3 | 2 | 1 | 0 |
| Reserved | | | | | | BATFETOFF_HIZ | PSYS_OTG_IDCHG |
| R/W | | | | | | R/W | R/W |

LEGEND: R/W = Read/Write; R = Read only; -n = value after reset

表 11. ChargeOption3 Register (I2C address = 35h) Field Descriptions

| I2C 35h | FIELD | TYPE | RESET | DESCRIPTION |
|---------|--------------|------|-------|--|
| 7 | EN_HIZ | R/W | 0b | Device Hi-Z Mode Enable When the charger is in Hi-Z mode, the device draws minimal quiescent current. With VBUS above UVLO. REGN LDO stays on, and system powers from battery. 0b: Device not in Hi-Z mode <default at POR> 1b: Device in Hi-Z mode |
| 6 | RESET_REG | R/W | 0b | Reset Registers All the registers go back to the default setting except the VINDPM register. 0b: Idle <default at POR> 1b: Reset all the registers to default values. After reset, this bit goes back to 0. |
| 5 | RESET_VINDPM | R/W | 0b | Reset VINDPM Threshold 0b: Idle 1b: Converter is disabled to measure VINDPM threshold. After VINDPM measurement is done, this bit goes back to 0 and converter starts. |
| 4 | EN_OTG | R/W | 0b | OTG Mode Enable Enable device in OTG mode when EN_OTG pin is HIGH. 0b: Disable OTG <default at POR> 1b: Enable OTG mode to supply VBUS from battery. |
| 3 | EN_ICO_MODE | R/W | 0b | Enable ICO Algorithm 0b: Disable ICO algorithm. <default at POR> 1b: Enable ICO algorithm. |
| 2-0 | Reserved | R/W | 0b | Reserved |

表 12. ChargeOption3 Register (I2C address = 34h) Field Descriptions

| I2C 34h | FIELD | TYPE | RESET | DESCRIPTION |
|---------|----------------|------|-------|---|
| 7-2 | Reserved | R/W | 0b | Reserved |
| 1 | BATFETOFF_HIZ | R/W | 0b | Control BATFET during HIZ mode. 0b: BATFET on during Hi-Z <default at POR> 1b: BATFET off during Hi-Z |
| 0 | PSYS_OTG_IDCHG | R/W | 0b | PSYS function during OTG mode. 0b: PSYS as battery discharge power minus OTG output power <default at POR> 1b: PSYS as battery discharge power only |

8.6.1.5 ProchotOption0 Register (I2C address = 37/36h) [reset = 04A54h]
☒ 27. ProchotOption0 Register (I2C address = 37/36h) [reset = 04A54h]

| | | | | | |
|-----------|----------------|---------------|---------------|----------|----------|
| 7-3 | | | 2-1 | | 0 |
| ILIM2_VTH | | | ICRIT_DEG | | Reserved |
| R/W | | | R/W | | R/W |
| 7-6 | 5 | 4-3 | 2 | 1 | 0 |
| VSYS_VTH | EN_PROCHOT_EXT | PROCHOT_WIDTH | PROCHOT_CLEAR | INOM_DEG | Reserved |
| R/W | R/W | R/W | R/W | R/W | R/W |

LEGEND: R/W = Read/Write; R = Read only; -n = value after reset

表 13. ProchotOption0 Register (I2C address = 37h) Field Descriptions

| I2C 37h | FIELD | TYPE | RESET | DESCRIPTION |
|---------|-----------|------|--------|---|
| 7-3 | ILIM2_VTH | R/W | 01001b | I_{LIM2} Threshold 5 bits, percentage of IDPM in 0x0F/0EH. Measure current between ACP and ACN. Trigger when the current is above this threshold: 00001b - 11001b: 110% - 230%, step 5% 11010b - 11110b: 250% - 450%, step 50% 11111b: Out of Range (Ignored) Default 150%, or 01001 |
| 2-1 | ICRIT_DEG | R/W | 01b | ICRIT Deglitch time ICRIT is set to be 110% of I_{LIM2} . Typical ICRIT deglitch time to trigger $\overline{PROCHOT}$. 00b: 15 μ s 01b: 100 μ s <default at POR> 10b: 400 μ s (max 500 us) 11b: 800 μ s (max 1 ms) |
| 0 | Reserved | R/W | 0b | Reserved |

表 14. ProchotOption0 Register (I2C address = 36h) Field Descriptions

| I2C 36h | FIELD | TYPE | RESET | DESCRIPTION |
|---------|----------------|------|-------|---|
| 7-6 | VSYS_VTH | R/W | 01b | VSYS Threshold Measure on VSYS with fixed 20- μ s deglitch time. Trigger when SYS pin voltage is below the threshold. 00b: 5.75 V (2-4 s) or 2.85 V (1 s) 01b: 6 V (2-4 s) or 3.1 V (1 s) <default at POR> 10b: 6.25 V (2-4 s) or 3.35 V (1 s) 11b: 6.5 V (2-4 s) or 3.6 V (1 s) |
| 5 | EN_PROCHOT_EXT | R/W | 0b | $\overline{PROCHOT}$ Pulse Extension Enable When pulse extension is enabled, keep the $\overline{PROCHOT}$ pin voltage LOW until host writes 0x36[2] = 0. 0b: Disable pulse extension <default at POR> 1b: Enable pulse extension |
| 4-3 | PROCHOT_WIDTH | R/W | 10b | $\overline{PROCHOT}$ Pulse Width Minimum $\overline{PROCHOT}$ pulse width when REG0x36[5] = 0 00b: 100 μ s 01b: 1 ms 10b: 10 ms <default at POR> 11b: 5 ms |

表 14. ProchotOption0 Register (I2C address = 36h) Field Descriptions (continued)

| I2C 36h | FIELD | TYPE | RESET | DESCRIPTION |
|---------|---------------|------|-------|---|
| 2 | PROCHOT_CLEAR | R/W | 1b | <p>$\overline{\text{PROCHOT}}$ Pulse Clear</p> <p>Clear $\overline{\text{PROCHOT}}$ pulse when 0x36[5] = 1.</p> <p>0b: Clear $\overline{\text{PROCHOT}}$ pulse and drive $\overline{\text{PROCHOT}}$ pin HIGH.</p> <p>1b: Idle <default at POR></p> |
| 1 | INOM_DEG | R/W | 0b | <p>INOM Deglitch Time</p> <p>INOM is always 10% above IDPM in 0x0F/0EH. Measure current between ACP and ACN.</p> <p>Trigger when the current is above this threshold.</p> <p>0b: 1 ms (must be max) <default at POR></p> <p>1b: 50 ms (max 60 ms)</p> |
| 0 | Reserved | R/W | 0b | Reserved |

8.6.1.6 ProchotOption1 Register (I2C address = 39/38h) [reset = 8120h]
☒ 28. ProchotOption1 Register (I2C address = 39/38h) [reset = 8120h]

| 7-2 | | | | 1-0 | | | |
|-----------|--------------------|----------|---------|-----------|---------|------------|---------|
| IDCHG_VTH | | | | IDCHG_DEG | | | |
| R/W | | | | R/W | | | |
| 7 | 6 | 5 | 4 | 3 | 2 | 1 | 0 |
| Reserved | PROCHOT_PROFILE_IC | PP_ICRIT | PP_INOM | PP_IDCHG | PP_VSYS | PP_BATPRES | PP_ACOK |
| R/W | R/W | R/W | R/W | R/W | R/W | R/W | R/W |

LEGEND: R/W = Read/Write; R = Read only; -n = value after reset

表 15. ProchotOption1 Register (I2C address = 39h) Field Descriptions

| I2C 39h | FIELD | TYPE | RESET | DESCRIPTION |
|---------|-----------|------|---------|--|
| 7-2 | IDCHG_VTH | R/W | 100000b | IDCHG Threshold 6 bit, range, range 0 A to 32256 mA, step 512 mA. There is a 128 mA offset. Measure current between SRN and SRP. Trigger when the discharge current is above the threshold. If the value is programmed to 000000b, $\overline{\text{PROCHOT}}$ is always triggered. Default: 16384 mA or 100000b |
| 1-0 | IDCHG_DEG | R/W | 01b | IDCHG Deglitch Time 00b: 1.6 ms 01b: 100 μs <default at POR> 10b: 6 ms 11b: 12 ms |

表 16. ProchotOption1 Register (I2C address = 38h) Field Descriptions

| I2C 38h | FIELD | TYPE | RESET | DESCRIPTION |
|---------|-------------------------|------|-------|---|
| 7 | Reserved | R/W | 0b | Reserved |
| 6 | PROCHOT_PROFILE_COMP | R/W | 0b | $\overline{\text{PROCHOT}}$ Profile When all the REG0x34[6:0] bits are 0, $\overline{\text{PROCHOT}}$ function is disabled. Bit6 Independent comparator 0b: disable <default at POR> 1b: enable |
| 5 | PROCHOT_PROFILE_ICRIT | R/W | 1b | 0b: disable 1b: enable <default at POR> |
| 4 | PROCHOT_PROFILE_INOM | R/W | 0b | 0b: disable <default at POR> 1b: enable |
| 3 | PROCHOT_PROFILE_IDCHG | R/W | 0b | 0b: disable <default at POR> 1b: enable |
| 2 | PROCHOT_PROFILE_VSYS | R/W | 0b | 0b: disable <default at POR> 1b: enable |
| 1 | PROCHOT_PROFILE_BATPRES | R/W | 0b | 0b: disable <default at POR> 1b: enable (one-shot falling edge triggered) If BATPRES is enabled in $\overline{\text{PROCHOT}}$ after the battery is removed, it will immediately send out one-shot $\overline{\text{PROCHOT}}$ pulse. |

表 16. ProchotOption1 Register (I2C address = 38h) Field Descriptions (continued)

| I2C 38h | FIELD | TYPE | RESET | DESCRIPTION |
|------------|--------------------------|------|-------|--|
| 0 | PROCHOT _PROFILE_ACOK | R/W | 0b | 0b: disable <default at POR> 1b: enable ChargeOption0[15] = 0 to assert $\overline{\text{PROCHOT}}$ pulse after adapter removal. If PROCHOT_PROFILE_ACOK is enabled in $\overline{\text{PROCHOT}}$ after the adapter is removed, it will be pulled low. |

8.6.1.7 ADCOption Register (I2C address = 3B/3Ah) [reset = 2000h]
☒ 29. ADCOption Register (I2C address = 3B/3Ah) [reset = 2000h]

| 7 | | 6 | | 5 | | 4-0 | | | | | | | | | |
|--------------|--|-------------|--|---------------|--|------------|--|--------------|--|-------------|--|-------------|--|-------------|--|
| ADC_CONV | | ADC_START | | ADC_FULLSCALE | | Reserved | | | | | | | | | |
| R/W | | R/W | | R/W | | R/W | | | | | | | | | |
| 7 | | 6 | | 5 | | 4 | | 3 | | 2 | | 1 | | 0 | |
| EN_ADC_CMPIN | | EN_ADC_VBUS | | EN_ADC_PSYS | | EN_ADC_IIN | | EN_ADC_IDCHG | | EN_ADC_ICHG | | EN_ADC_VSYS | | EN_ADC_VBAT | |
| R/W | | R/W | | R/W | | R/W | | R/W | | R/W | | R/W | | R/W | |

LEGEND: R/W = Read/Write; R = Read only; -n = value after reset

The ADC registers are read in the following order: VBAT, VSYS, ICHG, IDCHG, IIN, PSYS, VBUS, CMPIN. ADC is disabled in low power mode. When enabling ADC, the device exit low power mode at battery only.

表 17. ADCOption Register (I2C address = 3Bh) Field Descriptions

| I2C 3Bh | FIELD | TYPE | RESET | DESCRIPTION |
|---------|---------------|------|--------|---|
| 7 | ADC_CONV | R/W | 0b | Typical ADC conversion time is 10 ms. 0b: One-shot update. Do one set of conversion updates to registers REG0x27/26(), REG0x29/28(), REG0x2B/2A(), and REG0x2D/2C() after ADC_START = 1. 1b: Continuous update. Do a set of conversion updates to registers REG0x27/26(), REG0x29/28(), REG0x2B/2A(), and REG0x2D/2C() every 1 sec. |
| 6 | ADC_START | R/W | 0b | 0b: No ADC conversion 1b: Start ADC conversion. After the one-shot update is complete, this bit automatically resets to zero |
| 5 | ADC_FULLSCALE | R/W | 1b | ADC input voltage range. When input voltage is below 5 V, or battery is 1S, full scale 2.04 V is recommended. 0b: 2.04 V 1b: 3.06 V <default at POR> |
| 4-0 | Reserved | R/W | 00000b | Reserved |

表 18. ADCOption Register (I2C address = 3Ah) Field Descriptions

| I2C 3Ah | FIELD | TYPE | RESET | DESCRIPTION |
|---------|--------------|------|-------|--|
| 7 | EN_ADC_CMPIN | R/W | 0b | 0b: Disable <default at POR> 1b: Enable |
| 6 | EN_ADC_VBUS | R/W | 0b | 0b: Disable <default at POR> 1b: Enable |
| 5 | EN_ADC_PSYS | R/W | 0b | 0b: Disable <default at POR> 1b: Enable |
| 4 | EN_ADC_IIN | R/W | 0b | 0b: Disable <default at POR> 1b: Enable |
| 3 | EN_ADC_IDCHG | R/W | 0b | 0b: Disable <default at POR> 1b: Enable |
| 2 | EN_ADC_ICHG | R/W | 0b | 0b: Disable <default at POR> 1b: Enable |
| 1 | EN_ADC_VSYS | R/W | 0b | 0b: Disable <default at POR> 1b: Enable |

表 18. ADCOption Register (I2C address = 3Ah) Field Descriptions (continued)

| I2C 3Ah | FIELD | TYPE | RESET | DESCRIPTION |
|------------|-------------|------|-------|--|
| 0 | EN_ADC_VBAT | R/W | 0b | 0b: Disable <default at POR> 1b: Enable |

8.6.2 Charge and PROCHOT Status

8.6.2.1 ChargerStatus Register (I2C address = 21/20h) [reset = 0000h]

图 30. ChargerStatus Register (I2C address = 21/20h) [reset = 0000h]

| 7 | 6 | 5 | 4 | 3 | 2 | 1 | 0 |
|------------|-------------|------------|------------|-----------|----------------|---------------|---------------|
| AC_STAT | ICO_DONE | Reserved | IN_VINDPM | IN_IINDPM | IN_FCHRG | IN_PCHRG | IN_OTG |
| R | R | R | R | R | R | R | R |
| 7 | 6 | 5 | 4 | 3 | 2 | 1 | 0 |
| Fault ACOV | Fault BATOC | Fault ACOC | YSOVP_STAT | Reserved | Fault Latchoff | Fault_OTG_OVP | Fault_OTG_OCP |
| R | R | R | R | R | R | R | R |

LEGEND: R/W = Read/Write; R = Read only; -n = value after reset

表 19. ChargerStatus Register (I2C address = 21h) Field Descriptions

| I2C 21h | FIELD | TYPE | RESET | DESCRIPTION |
|---------|-----------|------|-------|--|
| 7 | AC_STAT | R | 0b | Input source status, same as CHRG_OK pin 0b: Input not present 1b: Input is present |
| 6 | ICO_DONE | R | 0b | After the ICO routine is successfully executed, the bit goes 1. 0b: ICO is not complete 1b: ICO is complete |
| 5 | Reserved | R | 0b | Reserved |
| 4 | IN_VINDPM | R | 0b | 0b: Charger is not in VINDPM during forward mode, or voltage regulation during OTG mode 1b: Charger is in VINDPM during forward mode, or voltage regulation during OTG mode |
| 3 | IN_IINDPM | R | 0b | 0b: Charger is not in IINDPM 1b: Charger is in IINDPM |
| 2 | IN_FCHRG | R | 0b | 0b: Charger is not in fast charge 1b: Charger is in fast charger |
| 1 | IN_PCHRG | R | 0b | 0b: Charger is not in pre-charge 1b: Charger is in pre-charge |
| 0 | IN_OTG | R | 0b | 0b: Charger is not in OTG 1b: Charge is in OTG |

表 20. ChargerStatus Register (I2C address = 20h) Field Descriptions

| I2C 20h | FIELD | TYPE | RESET | DESCRIPTION |
|---------|-------------|------|-------|---|
| 7 | Fault ACOV | R | 0b | The faults are latched until a read from host. 0b: No fault 1b: ACOV |
| 6 | Fault BATOC | R | 0b | The faults are latched until a read from host. 0b: No fault 1b: BATOC |
| 5 | Fault ACOC | R | 0b | The faults are latched until a read from host. 0b: No fault 1b: ACOC |

表 20. ChargerStatus Register (I2C address = 20h) Field Descriptions (continued)

| I2C 20h | FIELD | TYPE | RESET | DESCRIPTION |
|------------|----------------|------|-------|--|
| 4 | SYSOVP_STAT | R | 0b | SYSOVP Status and Clear When the SYSOVP occurs, this bit is HIGH. During the SYSOVP, the converter is disabled. After the SYSOVP is removed, the user must write a 0 to this bit or unplug the adapter to clear the SYSOVP condition to enable the converter again. 0b: Not in SYSOVP <default at POR> 1b: In SYSOVP. When SYSOVP is removed, write 0 to clear the SYSOVP latch. |
| 3 | Reserved | R | 0b | Reserved |
| 2 | Fault Latchoff | R | 0b | The faults are latched until a read from host. 0b: No fault 1b: Latch off (REG0x30[3]) |
| 1 | Fault_OTG_OVP | R | 0b | The faults are latched until a read from host. 0b: No fault 1b: OTG OVP |
| 0 | Fault_OTG_UCP | R | 0b | The faults are latched until a read from host. 0b: No fault 1b: OTG OCP |

8.6.2.2 ProchotStatus Register (I2C address = 23/22h) [reset = 0h]
☒ 31. ProchotStatus Register (I2C address = 23/22h) [reset = 0h]

| | | | | | | | |
|----------|-----------|------------|-----------|------------|-----------|-----------------------|-----------------------|
| 7-0 | | | | | | | |
| Reserved | | | | | | | |
| R | | | | | | | |
| 7 | 6 | 5 | 4 | 3 | 2 | 1 | 0 |
| Reserved | STAT_COMP | STAT_ICRIT | STAT_INOM | STAT_IDCHG | STAT_VSYS | STAT_Battery_ Removal | STAT_Adapter_ Removal |
| R | R | R | R | R | R | R | R |

LEGEND: R/W = Read/Write; R = Read only; -n = value after reset

表 21. ProchotStatus Register (I2C address = 23h) Field Descriptions

| I2C 23h | FIELD | TYPE | RESET | DESCRIPTION |
|------------|----------|------|-------|-------------|
| – | Reserved | R | 0b | Reserved |

表 22. ProchotStatus Register (I2C address = 22h) Field Descriptions

| I2C 22h | FIELD | TYPE | RESET | DESCRIPTION |
|------------|----------------------|------|-------|------------------------------------|
| – | Reserved | R | 0b | Reserved |
| 6 | STAT_COMP | R | 0b | 0b: Not triggered 1b: Triggered |
| 5 | STAT_ICRIT | R | 0b | 0b: Not triggered 1b: Triggered |
| 4 | STAT_INOM | R | 0b | 0b: Not triggered 1b: Triggered |
| 3 | STAT_IDCHG | R | 0b | 0b: Not triggered 1b: Triggered |
| 2 | STAT_VSYS | R | 0b | 0b: Not triggered 1b: Triggered |
| 1 | STAT_Battery_Removal | R | 0b | 0b: Not triggered 1b: Triggered |
| 0 | STAT_Adapter_Removal | R | 0b | 0b: Not triggered 1b: Triggered |

8.6.3 ChargeCurrent Register (I2C address = 03/02h) [reset = 0h]

To set the charge current, write a 16-bit ChargeCurrent() command (REG0x03/02h()) using the data format listed in 表 23 and 表 24.

With 10-mΩ sense resistor, the charger provides charge current range of 64 mA to 8.128 A, with a 64-mA step resolution. Upon POR, when auto wakeup is not active, ChargeCurrent() is 0 A. Any conditions for CHRГ_OK low except ACOV will reset ChargeCurrent() to zero. CELL_BATPRESZ going LOW (battery removal) will reset the ChargeCurrent() register to 0 A.

Charge current is not reset in ACOC, TSHUT, power path latch off (REG0x30[1]), and SYSOVP.

A 0.1-μF capacitor between SRP and SRN for differential mode filtering is recommended; an optional 0.1-μF capacitor between SRN and ground, and an optional 0.1-μF capacitor between SRP and ground for common mode filtering. Meanwhile, the capacitance on SRP should not be higher than 0.1 μF in order to properly sense the voltage across SRP and SRN for cycle-by-cycle current detection.

The SRP and SRN pins are used to sense voltage drop across RSR with default value of 10 mΩ. However, resistors of other values can also be used. For a larger sense resistor, a larger sense voltage is given, and a higher regulation accuracy; but, at the expense of higher conduction loss. A current sensing resistor value no more than 20 mΩ is suggested.

图 32. ChargeCurrent Register With 10-mΩ Sense Resistor (I2C address = 03/02h) [reset = 0h]

| | | | | | | | |
|-----------------------|-----------------------|----------|-----------------------|-----------------------|-----------------------|-----------------------|-----------------------|
| 7 | 6 | 5 | 4 | 3 | 2 | 1 | 0 |
| Reserved | | | Charge Current, bit 6 | Charge Current, bit 5 | Charge Current, bit 4 | Charge Current, bit 3 | Charge Current, bit 2 |
| R/W | | | R/W | R/W | R/W | R/W | R/W |
| 7 | 6 | 5 | 4 | 3 | 2 | 1 | 0 |
| Charge Current, bit 1 | Charge Current, bit 0 | Reserved | Reserved | | | | |
| R/W | R/W | R/W | R/W | | | | |

LEGEND: R/W = Read/Write; R = Read only; -n = value after reset

表 23. Charge Current Register (14h) With 10-mΩ Sense Resistor (I2C address = 03h) Field Descriptions

| I2C 03h | FIELD | TYPE | RESET | DESCRIPTION |
|---------|-----------------------|------|-------|---|
| 7-5 | Reserved | R/W | 000b | Not used. 1 = invalid write. |
| 4 | Charge Current, bit 6 | R/W | 0b | 0 = Adds 0 mA of charger current. 1 = Adds 4096 mA of charger current. |
| 3 | Charge Current, bit 5 | R/W | 0b | 0 = Adds 0 mA of charger current. 1 = Adds 2048 mA of charger current. |
| 2 | Charge Current, bit 4 | R/W | 0b | 0 = Adds 0 mA of charger current. 1 = Adds 1024 mA of charger current. |
| 1 | Charge Current, bit 3 | R/W | 0b | 0 = Adds 0 mA of charger current. 1 = Adds 512 mA of charger current. |
| 0 | Charge Current, bit 2 | R/W | 0b | 0 = Adds 0 mA of charger current. 1 = Adds 256 mA of charger current. |

表 24. Charge Current Register (14h) With 10-mΩ Sense Resistor (I2C address = 02h) Field Descriptions

| I2C 02h | FIELD | TYPE | RESET | DESCRIPTION |
|---------|-----------------------|------|---------|--|
| 7 | Charge Current, bit 1 | R/W | 0b | 0 = Adds 0 mA of charger current. 1 = Adds 128 mA of charger current. |
| 6 | Charge Current, bit 0 | R/W | 0b | 0 = Adds 0 mA of charger current. 1 = Adds 64 mA of charger current. |
| 5-0 | Reserved | R/W | 000000b | Not used. Value Ignored. |

8.6.3.1 Battery Pre-Charge Current Clamp

During pre-charge, BATFET works in linear mode or LDO mode (default REG0x00[2] = 1). For 2-4 cell battery, the system is regulated at minimum system voltage in REG0x0D/0C() and the pre-charge current is clamped at 384 mA. For 1 cell battery, the pre-charge to fast charge threshold is 3 V, and the pre-charge current is clamped at 384 mA. However, the BATFET stays in LDO mode operation till battery voltage is above minimum system voltage (~3.6 V). During battery voltage from 3 V to 3.6 V, the fast charge current is clamped at 2 A.

8.6.4 MaxChargeVoltage Register (I2C address = 05/04h) [reset value based on CELL_BATPRESZ pin setting]

To set the output charge voltage, write a 16-bit ChargeVoltage register command (REG0x05/04()) using the data format listed in 表 25 and 表 26. The charger provides charge voltage range from 1.024 V to 19.200 V, with 16-mV step resolution. Any write below 1.024 V or above 19.200 V is ignored.

Upon POR, REG0x05/04() is by default set as 4192 mV for 1 s, 8400 mV for 2 s, 12592 mV for 3 s or 16800 mV for 4 s. After CHRG_OK, if host writes REG0x03/02() before REG0x05/04(), the charge will start after the write to REG0x03/02(). If the battery is different from 4.2 V/cell, the host has to write to REG0x05/04() before REG0x03/02() for correct battery voltage setting. Writing REG0x05/04() to 0 will set REG0x05/04() to default value on CELL_BATPRESZ pin, and force REG0x03/02() to zero to disable charge.

The SRN pin is used to sense the battery voltage for voltage regulation and should be connected as close to the battery as possible, and directly place a decoupling capacitor (0.1 μ F recommended) as close to the device as possible to decouple high frequency noise.

☒ 33. MaxChargeVoltage Register (I2C address = 05/04h) [reset value based on CELL_BATPRESZ pin setting]

| 7 | 6 | 5 | 4 | 3 | 2 | 1 | 0 |
|---------------------------|----------------------------|---------------------------|---------------------------|---------------------------|---------------------------|---------------------------|---------------------------|
| Reserved | Max Charge Voltage, bit 10 | Max Charge Voltage, bit 9 | Max Charge Voltage, bit 8 | Max Charge Voltage, bit 7 | Max Charge Voltage, bit 6 | Max Charge Voltage, bit 5 | Max Charge Voltage, bit 4 |
| R/W | R/W | R/W | R/W | R/W | R/W | R/W | R/W |
| 7 | 6 | 5 | 4 | 3 | 2 | 1 | 0 |
| Max Charge Voltage, bit 3 | Max Charge Voltage, bit 2 | Max Charge Voltage, bit 1 | Max Charge Voltage, bit 0 | Reserved | | | |
| R/W | R/W | R/W | R/W | R/W | | | |

LEGEND: R/W = Read/Write; R = Read only; -n = value after reset

表 25. MaxChargeVoltage Register (I2C address = 05h) Field Descriptions

| I2C 05h | FIELD | TYPE | RESET | DESCRIPTION |
|---------|----------------------------|------|-------|--|
| 7 | Reserved | R/W | 0b | Not used. 1 = invalid write. |
| 6 | Max Charge Voltage, bit 10 | R/W | 0b | 0 = Adds 0 mV of charger voltage. 1 = Adds 16384 mV of charger voltage. |
| 5 | Max Charge Voltage, bit 9 | R/W | 0b | 0 = Adds 0 mV of charger voltage. 1 = Adds 8192 mV of charger voltage |
| 4 | Max Charge Voltage, bit 8 | R/W | 0b | 0 = Adds 0 mV of charger voltage. 1 = Adds 4096 mV of charger voltage. |
| 3 | Max Charge Voltage, bit 7 | R/W | 0b | 0 = Adds 0 mV of charger voltage. 1 = Adds 2048 mV of charger voltage. |
| 2 | Max Charge Voltage, bit 6 | R/W | 0b | 0 = Adds 0 mV of charger voltage. 1 = Adds 1024 mV of charger voltage. |
| 1 | Max Charge Voltage, bit 5 | R/W | 0b | 0 = Adds 0 mV of charger voltage. 1 = Adds 512 mV of charger voltage. |
| 0 | Max Charge Voltage, bit 4 | R/W | 0b | 0 = Adds 0 mV of charger voltage. 1 = Adds 256 mV of charger voltage. |

表 26. MaxChargeVoltage Register (I2C address = 04h) Field Descriptions

| I2C 04h | FIELD | TYPE | RESET | DESCRIPTION |
|---------|---------------------------|------|-------|--|
| 7 | Max Charge Voltage, bit 3 | R/W | 0b | 0 = Adds 0 mV of charger voltage. 1 = Adds 128 mV of charger voltage. |
| 6 | Max Charge Voltage, bit 2 | R/W | 0b | 0 = Adds 0 mV of charger voltage. 1 = Adds 64 mV of charger voltage. |

表 26. MaxChargeVoltage Register (I2C address = 04h) Field Descriptions (continued)

| I2C 04h | FIELD | TYPE | RESET | DESCRIPTION |
|------------|---------------------------|------|-------|---|
| 5 | Max Charge Voltage, bit 1 | R/W | 0b | 0 = Adds 0 mV of charger voltage. 1 = Adds 32 mV of charger voltage. |
| 4 | Max Charge Voltage, bit 0 | R/W | 0b | 0 = Adds 0 mV of charger voltage. 1 = Adds 16 mV of charger voltage. |
| 3-0 | Reserved | R/W | 0000b | Not used. Value Ignored. |

8.6.5 MinSystemVoltage Register (I2C address = 0D/0Ch) [reset value based on CELL_BATPRESZ pin setting]

To set the minimum system voltage, write a 16-bit MinSystemVoltage register command (REG0x0D/0C()) using the data format listed in 表 27 and 表 28. The charger provides minimum system voltage range from 1.024 V to 16.128 V, with 256-mV step resolution. Any write below 1.024 V or above 16.128 V is ignored. Upon POR, the MinSystemVoltage register is 3.584 V for 1 S, 6.144 V for 2 S and 9.216 V for 3 S, and 12.288 V for 4 S.

☒ 34. MinSystemVoltage Register (I2C address = 0D/0Ch) [reset value based on CELL_BATPRESZ pin setting]

| | | | | | | | |
|----------|---------------------------|---------------------------|---------------------------|---------------------------|---------------------------|---------------------------|---------------------------|
| 7 | 6 | 5 | 4 | 3 | 2 | 1 | 0 |
| Reserved | Min System Voltage, bit 5 | Min System Voltage, bit 4 | Min System Voltage, bit 3 | Min System Voltage, bit 2 | Min System Voltage, bit 1 | Min System Voltage, bit 0 | Min System Voltage, bit 0 |
| R/W | R/W | R/W | R/W | R/W | R/W | R/W | R/W |
| 7 | 6 | 5 | 4 | 3 | 2 | 1 | 0 |
| Reserved | | | | | | | |
| R/W | | | | | | | |

LEGEND: R/W = Read/Write; R = Read only; -n = value after reset

表 27. MinSystemVoltage Register (I2C address = 0Dh) Field Descriptions

| I2C 0Dh | FIELD | TYPE | RESET | DESCRIPTION |
|---------|---------------------------|------|-------|---|
| 7-6 | Reserved | R/W | 00b | Not used. 1 = invalid write. |
| 5 | Min System Voltage, bit 5 | R/W | 0b | 0 = Adds 0 mV of system voltage. 1 = Adds 8192 mV of system voltage. |
| 4 | Min System Voltage, bit 4 | R/W | 0b | 0 = Adds 0 mV of system voltage. 1 = Adds 4096mV of system voltage. |
| 3 | Min System Voltage, bit 3 | R/W | 0b | 0 = Adds 0 mV of system voltage. 1 = Adds 2048 mV of system voltage. |
| 2 | Min System Voltage, bit 2 | R/W | 0b | 0 = Adds 0 mV of system voltage. 1 = Adds 1024 mV of system voltage. |
| 1 | Min System Voltage, bit 1 | R/W | 0b | 0 = Adds 0 mV of system voltage. 1 = Adds 512 mV of system voltage. |
| 0 | Min System Voltage, bit 0 | R/W | 0b | 0 = Adds 0 mV of system voltage. 1 = Adds 256 mV of system voltage. |

表 28. MinSystemVoltage Register (I2C address = 0Ch) Field Descriptions

| I2C 0Ch | FIELD | TYPE | RESET | DESCRIPTION |
|---------|----------|------|---------------|--------------------------|
| 7-0 | Reserved | R/W | 0000000 0b | Not used. Value Ignored. |

8.6.5.1 System Voltage Regulation

The device employs Narrow VDC architecture (NVDC) with BATFET separating system from battery. The minimum system voltage is set by REG0x0D/0C(). Even with a deeply depleted battery, the system is regulated above the minimum system voltage with BATFET.

When the battery is below minimum system voltage setting, the BATFET operates in linear mode (LDO mode), and the system is regulated above the minimum system voltage setting. As the battery voltage rises above the minimum system voltage, BATFET is fully on when charging or in supplement mode and the voltage difference between the system and battery is the VDS of BATFET. System voltage is regulated 160 mV above battery voltage when BATFET is off (no charging or no supplement current).

When BATFET is removed, the system node VSYS is shorted to SRP. Before the converter starts operation, LDO mode needs to be disabled. The following sequence is required to configure charger without BATFET.

1. Before adapter plugs in, put the charger into HIZ mode. (either pull pin 6 ILIM_HIZ to ground, or set

- REG0x35[7] to 1)
2. Set 0x00[2] to 0 to disable LDO mode.
3. Set 0x30[0] to 0 to disable auto-wakeup mode.
4. Check if battery voltage is properly programmed (REG0x05/04)
5. Set pre-charge/charge current (REG0x03/02)
6. Put the device out of HIZ mode. (Release ILIM_HIZ from ground and set REG0x35[7]=0).

In order to prevent any accidental SW mistakes, the host sets low input current limit (a few hundred milliamps) when device is out of HIZ.

8.6.6 Input Current and Input Voltage Registers for Dynamic Power Management

The charger supports Dynamic Power Management (DPM). Normally, the input power source provides power for the system load or to charge the battery. When the input current exceeds the input current setting, or the input voltage falls below the input voltage setting, the charger decreases the charge current to provide priority to the system load. As the system current rises, the available charge current drops accordingly towards zero. If the system load keeps increasing after the charge current drops down to zero, the system voltage starts to drop. As the system voltage drops below the battery voltage, the battery will discharge to supply the heavy system load.

8.6.6.1 Input Current Registers

To set the maximum input current limit, write a 16-bit IIN_HOST register command (REG0x0F/0E()) using the data format listed in [表 29](#) and [表 30](#). When using a 10-mΩ sense resistor, the charger provides an input-current limit range of 50 mA to 6400 mA, with 50-mA resolution. The default current limit is 3.3 A. Due to the USB current setting requirement, the register setting specifies the maximum current instead of the typical current. Upon adapter removal, the input current limit is reset to the default value of 3.3 A. The register offset is 50 mA. With code 0, the input current limit is 50 mA.

The ACP and ACN pins are used to sense R_{AC} with the default value of 10 mΩ. For a 20-mΩ sense resistor, a larger sense voltage is given and a higher regulation accuracy, but at the expense of higher conduction loss.

Instead of using the internal DPM loop, the user can build up an external input current regulation loop and have the feedback signal on the ILIM_HIZ pin.

$$V_{ILIM_HIZ} = 1V + 40 \times (V_{ACP} - V_{ACN}) = 1 + 40 \times I_{DPM} \times R_{AC} \quad (2)$$

In order to disable ILIM_HIZ pin, the host can write to 0x32[7] to disable ILIM_HIZ pin, or pull ILIM_HIZ pin above 4.0 V.

8.6.6.1.1 IIN_HOST Register With 10-mΩ Sense Resistor (I2C address = 0F/0Eh) [reset = 4000h]

The register offset is 50 mA. With code 0, the input current limit readback is 50 mA.

图 35. IIN_HOST Register With 10-mΩ Sense Resistor (I2C address = 0F/0Eh) [reset = 4100h]

| 7 | 6 | 5 | 4 | 3 | 2 | 1 | 0 |
|----------|----------------------------------|----------------------------------|----------------------------------|----------------------------------|----------------------------------|----------------------------------|----------------------------------|
| Reserved | Input Current set by host, bit 6 | Input Current set by host, bit 5 | Input Current set by host, bit 4 | Input Current set by host, bit 3 | Input Current set by host, bit 2 | Input Current set by host, bit 1 | Input Current set by host, bit 0 |
| R/W | R/W | R/W | R/W | R/W | R/W | R/W | R/W |
| 7 | 6 | 5 | 4 | 3 | 2 | 1 | 0 |
| Reserved | | | | | | | |
| R | | | | | | | |

LEGEND: R/W = Read/Write; R = Read only; -n = value after reset

表 29. IIN_HOST Register With 10-mΩ Sense Resistor (I2C address = 0Fh) Field Descriptions

| I2C 0Fh | FIELD | TYPE | RESET | DESCRIPTION |
|---------|----------------------------------|------|-------|---|
| 7 | Reserved | R/W | 0b | Not used. 1 = invalid write. |
| 6 | Input Current set by host, bit 6 | R/W | 1b | 0 = Adds 0 mA of input current. 1 = Adds 3200 mA of input current. |
| 5 | Input Current set by host, bit 5 | R/W | 0b | 0 = Adds 0 mA of input current. 1 = Adds 1600 mA of input current. |
| 4 | Input Current set by host, bit 4 | R/W | 0b | 0 = Adds 0 mA of input current. 1 = Adds 800 mA of input current. |
| 3 | Input Current set by host, bit 3 | R/W | 0b | 0 = Adds 0 mA of input current. 1 = Adds 400 mA of input current. |
| 2 | Input Current set by host, bit 2 | R/W | 0b | 0 = Adds 0 mA of input current. 1 = Adds 200 mA of input current. |
| 1 | Input Current set by host, bit 1 | R/W | 0b | 0 = Adds 0 mA of input current. 1 = Adds 100 mA of input current. |
| 0 | Input Current set by host, bit 0 | R/W | 0b | 0 = Adds 0 mA of input current. 1 = Adds 50 mA of input current. |

表 30. IIN_HOST Register With 10-mΩ Sense Resistor (I2C address = 0Eh) Field Descriptions

| I2C 0Eh | FIELD | TYPE | RESET | DESCRIPTION |
|---------|----------|------|---------------|--------------------------|
| 7-0 | Reserved | R | 0000000 0b | Not used. Value Ignored. |

8.6.6.1.2 IIN_DPM Register With 10-mΩ Sense Resistor (I2C address = 25/24h) [reset = 0h]

IIN_DPM register reflects the actual input current limit programmed in the register, either from host or from ICO.

After ICO, the current limit used by DPM regulation may differ from the IIN_HOST register settings. The actual DPM limit is reported in REG0x25/24(). The register offset is 50 mA. With code 0, the input current limit read-back is 50 mA.

图 36. IIN_DPM Register With 10-mΩ Sense Resistor (I2C address = 25/24h) [reset = 0h]

| | | | | | | | |
|----------|-----------------------------|-----------------------------|-----------------------------|-----------------------------|-----------------------------|-----------------------------|-----------------------------|
| 7 | 6 | 5 | 4 | 3 | 2 | 1 | 0 |
| Reserved | Input Current in DPM, bit 6 | Input Current in DPM, bit 5 | Input Current in DPM, bit 4 | Input Current in DPM, bit 3 | Input Current in DPM, bit 2 | Input Current in DPM, bit 1 | Input Current in DPM, bit 0 |
| R | R | R | R | R | R | R | R |
| 7 | 6 | 5 | 4 | 3 | 2 | 1 | 0 |
| Reserved | | | | | | | |
| R | | | | | | | |

LEGEND: R/W = Read/Write; R = Read only; -n = value after reset

表 31. IIN_DPM Register With 10-mΩ Sense Resistor (I2C address = 25h) Field Descriptions

| I2C 25h | FIELD | TYPE | RESET | DESCRIPTION |
|---------|-----------------------------|------|-------|---|
| 7 | Reserved | R | 0b | Not used. 1 = invalid write. |
| 6 | Input Current in DPM, bit 6 | R | 0b | 0 = Adds 0 mA of input current. 1 = Adds 3200 mA of input current. |
| 5 | Input Current in DPM, bit 5 | R | 0b | 0 = Adds 0 mA of input current. 1 = Adds 1600 mA of input current. |
| 4 | Input Current in DPM, bit 4 | R | 0b | 0 = Adds 0 mA of input current. 1 = Adds 800mA of input current |
| 3 | Input Current in DPM, bit 3 | R | 0b | 0 = Adds 0 mA of input current. 1 = Adds 400 mA of input current. |
| 2 | Input Current in DPM, bit 2 | R | 0b | 0 = Adds 0 mA of input current. 1 = Adds 200 mA of input current. |
| 1 | Input Current in DPM, bit 1 | R | 0b | 0 = Adds 0 mA of input current. 1 = Adds 100 mA of input current. |
| 0 | Input Current in DPM, bit 0 | R | 0b | 0 = Adds 0 mA of input current. 1 = Adds 50 mA of input current. |

表 32. IIN_DPM Register With 10-mΩ Sense Resistor (I2C address = 24h) Field Descriptions

| I2C 24h | FIELD | TYPE | RESET | DESCRIPTION |
|---------|----------|------|-----------|--------------------------|
| 7-0 | Reserved | R | 00000000b | Not used. Value Ignored. |

8.6.6.1.3 InputVoltage Register (I2C address = 0B/0Ah) [reset = VBUS-1.28V]

To set the input voltage limit, write a 16-bit InputVoltage register command (REG0x0B/0A()) using the data format listed in 表 33 and 表 34.

If the input voltage drops more than the InputVoltage register allows, the device enters DPM and reduces the charge current. The default offset voltage is 1.28 V below the no-load VBUS voltage. The DC offset is 3.2 V (0000000).

图 37. InputVoltage Register (I2C address = 0B/0Ah) [reset = VBUS-1.28V]

| | | | | | | | |
|-------------------------|-------------------------|-------------------------|-------------------------|-------------------------|-------------------------|-------------------------|-------------------------|
| 7 | 6 | 5 | 4 | 3 | 2 | 1 | 0 |
| Reserved | Input Voltage, bit 7 | Input Voltage, bit 6 | Input Voltage, bit 5 | Input Voltage, bit 4 | Input Voltage, bit 3 | Input Voltage, bit 2 | Input Voltage, bit 1 |
| R/W | R/W | R/W | R/W | R/W | R/W | R/W | R/W |
| 7 | 6 | 5 | 4 | 3 | 2 | 1 | 0 |
| Input Voltage, bit 1 | Input Voltage, bit 0 | Reserved | | | | | |
| R/W | R/W | R/W | | | | | |

LEGEND: R/W = Read/Write; R = Read only; -n = value after reset

表 33. InputVoltage Register (I2C address = 0Bh) Field Descriptions

| I2C 0Bh | FIELD | TYPE | RESET | DESCRIPTION |
|---------|----------------------|------|-------|---|
| 7-6 | Reserved | R/W | 00b | Not used. 1 = invalid write. |
| 5 | Input Voltage, bit 7 | R/W | 0b | 0 = Adds 0 mV of input voltage. 1 = Adds 8192 mV of input voltage. |
| 4 | Input Voltage, bit 6 | R/W | 0b | 0 = Adds 0 mV of input voltage. 1 = Adds 4096mV of input voltage. |
| 3 | Input Voltage, bit 5 | R/W | 0b | 0 = Adds 0 mV of input voltage. 1 = Adds 2048 mV of input voltage. |
| 2 | Input Voltage, bit 4 | R/W | 0b | 0 = Adds 0 mV of input voltage. 1 = Adds 1024 mV of input voltage. |
| 1 | Input Voltage, bit 3 | R/W | 0b | 0 = Adds 0 mV of input voltage. 1 = Adds 512 mV of input voltage. |
| 0 | Input Voltage, bit 2 | R/W | 0b | 0 = Adds 0 mV of input voltage. 1 = Adds 256 mV of input voltage. |

表 34. InputVoltage Register (I2C address = 0Ah) Field Descriptions

| I2C 0Ah | FIELD | TYPE | RESET | DESCRIPTION |
|---------|----------------------|------|---------|--|
| 7 | Input Voltage, bit 1 | R/W | 0b | 0 = Adds 0 mV of input voltage. 1 = Adds 128 mV of input voltage. |
| 6 | Input Voltage, bit 0 | R/W | 0b | 0 = Adds 0 mV of input voltage. 1 = Adds 64 mV of input voltage |
| 5-0 | Reserved | R/W | 000000b | Not used. Value Ignored. |

8.6.7 OTGVoltage Register (I2C address = 07/06h) [reset = 0h]

To set the OTG output voltage limit, write to REG0x07/06() using the data format listed in 表 35 and 表 36. The DC offset is 4.48 V (0000000).

☒ 38. OTGVoltage Register (I2C address = 07/06h) [reset = 0h]

| | | | | | | | | | | | | | | | |
|--------------------|--|--------------------|--|--------------------|--|--------------------|--|--------------------|--|--------------------|--|--------------------|--|--------------------|--|
| 7 | | 6 | | 5 | | 4 | | 3 | | 2 | | 1 | | 0 | |
| Reserved | | | | OTG Voltage, bit 7 | | OTG Voltage, bit 6 | | OTG Voltage, bit 5 | | OTG Voltage, bit 4 | | OTG Voltage, bit 3 | | OTG Voltage, bit 2 | |
| R/W | | | | R/W | | R/W | | R/W | | R/W | | R/W | | R/W | |
| 7 | | 6 | | 5 | | 4 | | 3 | | 2 | | 1 | | 0 | |
| OTG Voltage, bit 1 | | OTG Voltage, bit 0 | | Reserved | | | | | | | | | | | |
| R/W | | R/W | | R/W | | | | | | | | | | | |

LEGEND: R/W = Read/Write; R = Read only; -n = value after reset

表 35. OTGVoltage Register (I2C address = 07h) Field Descriptions

| I2C 07h | FIELD | TYPE | RESET | DESCRIPTION |
|---------|--------------------|------|-------|---|
| 7-6 | Reserved | R/W | 00b | Not used. 1 = invalid write. |
| 5 | OTG Voltage, bit 7 | R/W | 0b | 0 = Adds 0 mV of OTG voltage. 1 = Adds 8192 mV of OTG voltage. |
| 4 | OTG Voltage, bit 6 | R/W | 0b | 0 = Adds 0 mV of OTG voltage. 1 = Adds 4096 mV of OTG voltage. |
| 3 | OTG Voltage, bit 5 | R/W | 0b | 0 = Adds 0 mV of OTG voltage. 1 = Adds 2048 mV of OTG voltage. |
| 2 | OTG Voltage, bit 4 | R/W | 0b | 0 = Adds 0 mV of OTG voltage. 1 = Adds 1024 mV of OTG voltage. |
| 1 | OTG Voltage, bit 3 | R/W | 0b | 0 = Adds 0 mV of OTG voltage. 1 = Adds 512 mV of OTG voltage. |
| 0 | OTG Voltage, bit 2 | R/W | 0b | 0 = Adds 0 mV of OTG voltage. 1 = Adds 256 mV of OTG voltage. |

表 36. OTGVoltage Register (I2C address = 06h) Field Descriptions

| I2C 06h | FIELD | TYPE | RESET | DESCRIPTION |
|---------|--------------------|------|---------|--|
| 7 | OTG Voltage, bit 1 | R/W | 0b | 0 = Adds 0 mV of OTG voltage. 1 = Adds 128 mV of OTG voltage. |
| 6 | OTG Voltage, bit 0 | R/W | 0b | 0 = Adds 0 mV of OTG voltage. 1 = Adds 64 mV of OTG voltage. |
| 5-0 | Reserved | R/W | 000000b | Not used. Value Ignored. |

8.6.8 OTGCurrent Register (I2C address = 09/08h) [reset = 0h]

To set the OTG output current limit, write to REG0x09/08() using the data format listed in 表 37 and 表 38.

☒ 39. OTGCurrent Register (I2C address = 09/08h) [reset = 0h]

| 7 | 6 | 5 | 4 | 3 | 2 | 1 | 0 |
|----------|--------------------------------|--------------------------------|--------------------------------|--------------------------------|--------------------------------|--------------------------------|--------------------------------|
| Reserved | OTG Current set by host, bit 6 | OTG Current set by host, bit 5 | OTG Current set by host, bit 4 | OTG Current set by host, bit 3 | OTG Current set by host, bit 2 | OTG Current set by host, bit 1 | OTG Current set by host, bit 0 |
| R/W | R/W | R/W | R/W | R/W | R/W | R/W | R/W |
| 7 | 6 | 5 | 4 | 3 | 2 | 1 | 0 |
| Reserved | | | | | | | |
| R/W | | | | | | | |

LEGEND: R/W = Read/Write; R = Read only; -n = value after reset

表 37. OTGCurrent Register (I2C address = 09h) Field Descriptions

| I2C 09h | FIELD | TYPE | RESET | DESCRIPTION |
|---------|--------------------------------|------|-------|---|
| 7 | Reserved | R/W | 0b | Not used. 1 = invalid write. |
| 6 | OTG Current set by host, bit 6 | R/W | 0b | 0 = Adds 0 mA of OTG current. 1 = Adds 3200 mA of OTG current. |
| 5 | OTG Current set by host, bit 5 | R/W | 0b | 0 = Adds 0 mA of OTG current. 1 = Adds 1600mA of OTG current. |
| 4 | OTG Current set by host, bit 4 | R/W | 0b | 0 = Adds 0 mA of OTG current. 1 = Adds 800 mA of OTG current. |
| 3 | OTG Current set by host, bit 3 | R/W | 0b | 0 = Adds 0 mA of OTG current. 1 = Adds 400 mA of OTG current. |
| 2 | OTG Current set by host, bit 2 | R/W | 0b | 0 = Adds 0 mA of OTG current. 1 = Adds 200 mA of OTG current. |
| 1 | OTG Current set by host, bit 1 | R/W | 0b | 0 = Adds 0 mA of OTG current. 1 = Adds 100 mA of OTG current. |
| 0 | OTG Current set by host, bit 0 | R/W | 0b | 0 = Adds 0 mA of OTG current. 1 = Adds 50 mA of OTG current. |

表 38. OTGCurrent Register (I2C address = 08h) Field Descriptions

| I2C 08h | FIELD | TYPE | RESET | DESCRIPTION |
|---------|----------|------|-----------|--------------------------|
| 7-0 | Reserved | R/W | 00000000b | Not used. Value Ignored. |

8.6.9 ADCVBUS/PSYS Register (I2C address = 27/26h)

- PSYS: Full range: 3.06 V, LSB: 12 mV
- VBUS: Full range: 3200 mV to 19520 mV, LSB: 64 mV

图 40. ADCVBUS/PSYS Register (I2C address = 27/26h)

| | | | | | | | |
|---|---|---|---|---|---|---|---|
| 7 | 6 | 5 | 4 | 3 | 2 | 1 | 0 |
| R | R | R | R | R | R | R | R |
| 7 | 6 | 5 | 4 | 3 | 2 | 1 | 0 |
| R | R | R | R | R | R | R | R |

LEGEND: R/W = Read/Write; R = Read only; -n = value after reset

表 39. ADCVBUS/PSYS Register (I2C address = 27h) Field Descriptions

| BIT | FIELD | TYPE | RESET | DESCRIPTION |
|-----|-------|------|-------|---------------------------------------|
| 7-0 | | R | | 8-bit Digital Output of Input Voltage |

表 40. ADCVBUS/PSYS Register (I2C address = 26h) Field Descriptions

| BIT | FIELD | TYPE | RESET | DESCRIPTION |
|-----|-------|------|-------|--------------------------------------|
| 7-0 | | R | | 8-bit Digital Output of System Power |

8.6.10 ADCIBAT Register (I2C address = 29/28h)

- ICHG: Full range: 8.128 A, LSB: 64 mA
- IDCHG: Full range: 32.512 A, LSB: 256 mA

图 41. ADCIBAT Register (I2C address = 29/28h)

| | | | | | | | |
|----------|---|---|---|---|---|---|---|
| 7 | 6 | 5 | 4 | 3 | 2 | 1 | 0 |
| Reserved | R | R | R | R | R | R | R |
| 7 | 6 | 5 | 4 | 3 | 2 | 1 | 0 |
| Reserved | R | R | R | R | R | R | R |

LEGEND: R/W = Read/Write; R = Read only; -n = value after reset

表 41. ADCIBAT Register (I2C address = 29h) Field Descriptions

| BIT | FIELD | TYPE | RESET | DESCRIPTION |
|-----|----------|------|-------|--|
| 7 | Reserved | R | | Not used. Value ignored. |
| 6-0 | | R | | 7-bit Digital Output of Battery Charge Current |

表 42. ADCIBAT Register (I2C address = 28h) Field Descriptions

| BIT | FIELD | TYPE | RESET | DESCRIPTION |
|-----|----------|------|-------|---|
| 7 | Reserved | R | | Not used. Value ignored. |
| 6-0 | | R | | 7-bit Digital Output of Battery Discharge Current |

8.6.11 ADCIINCMPIN Register (I2C address = 2B/2Ah)

- IIN: Full range: 12.75 A, LSB: 50 mA
- CMPIN: Full range: 3.06 V, LSB: 12 mV

图 42. ADCIINCMPIN Register (I2C address = 2B/2Ah)

| | | | | | | | |
|---|---|---|---|---|---|---|---|
| 7 | 6 | 5 | 4 | 3 | 2 | 1 | 0 |
| R | R | R | R | R | R | R | R |
| 7 | 6 | 5 | 4 | 3 | 2 | 1 | 0 |
| R | R | R | R | R | R | R | R |

LEGEND: R/W = Read/Write; R = Read only; -n = value after reset

表 43. ADCIINCMPIN Register (I2C address = 2Bh) Field Descriptions

| BIT | FIELD | TYPE | RESET | DESCRIPTION |
|-----|-------|------|-------|---------------------------------------|
| 7-0 | | R | | 8-bit Digital Output of Input Current |

表 44. ADCIINCMPIN Register (I2C address = 2Ah) Field Descriptions

| BIT | FIELD | TYPE | RESET | DESCRIPTION |
|-----|-------|------|-------|---------------------------------------|
| 7-0 | | R | | 8-bit Digital Output of CMPIN voltage |

8.6.12 ADCVSYSVBAT Register (I2C address = 2D/2Ch)

- VSYS: Full range: 2.88 V to 19.2 V, LSB: 64 mV
- VBAT: Full range: 2.88 V to 19.2 V, LSB: 64 mV

图 43. ADCVSYSVBAT Register (I2C address = 2D/2Ch) (reset =)

| | | | | | | | |
|---|---|---|---|---|---|---|---|
| 7 | 6 | 5 | 4 | 3 | 2 | 1 | 0 |
| R | R | R | R | R | R | R | R |
| 7 | 6 | 5 | 4 | 3 | 2 | 1 | 0 |
| R | R | R | R | R | R | R | R |

LEGEND: R/W = Read/Write; R = Read only; -n = value after reset

表 45. ADCVSYSVBAT Register (I2C address = 2Dh) Field Descriptions

| BIT | FIELD | TYPE | RESET | DESCRIPTION |
|-----|-------|------|-------|--|
| 7-0 | | R | | 8-bit Digital Output of System Voltage |

表 46. ADCVSYSVBAT Register (I2C address = 2Ch) Field Descriptions

| BIT | FIELD | TYPE | RESET | DESCRIPTION |
|-----|-------|------|-------|---|
| 7-0 | | R | | 8-bit Digital Output of Battery Voltage |

8.6.13 ID Registers

8.6.13.1 ManufactureID Register (I2C address = 2Eh) [reset = 0040h]

图 44. ManufactureID Register (I2C address = 2Eh) [reset = 0040h]

| |
|----------------|
| 7-0 |
| MANUFACTURE_ID |
| R |

LEGEND: R/W = Read/Write; R = Read only; -n = value after reset

表 47. ManufactureID Register Field Descriptions

| I2C 2Eh | FIELD | TYPE | RESET | DESCRIPTION (READ ONLY) |
|------------|----------------|------|-------|-------------------------|
| 7-0 | MANUFACTURE_ID | R | | 40h |

8.6.13.2 Device ID (DeviceAddress) Register (I2C address = 2Fh) [reset = 0h]

图 45. Device ID (DeviceAddress) Register (I2C address = 2Fh) [reset = 0h]

| |
|-----------|
| 7-0 |
| DEVICE_ID |
| R |

LEGEND: R/W = Read/Write; R = Read only; -n = value after reset

表 48. Device ID (DeviceAddress) Register Field Descriptions

| I2C 2Fh | FIELD | TYPE | RESET | DESCRIPTION (READ ONLY) |
|------------|-----------|------|-------|-------------------------|
| 7-0 | DEVICE_ID | R | 0b | I2C:78h |

9 Application and Implementation

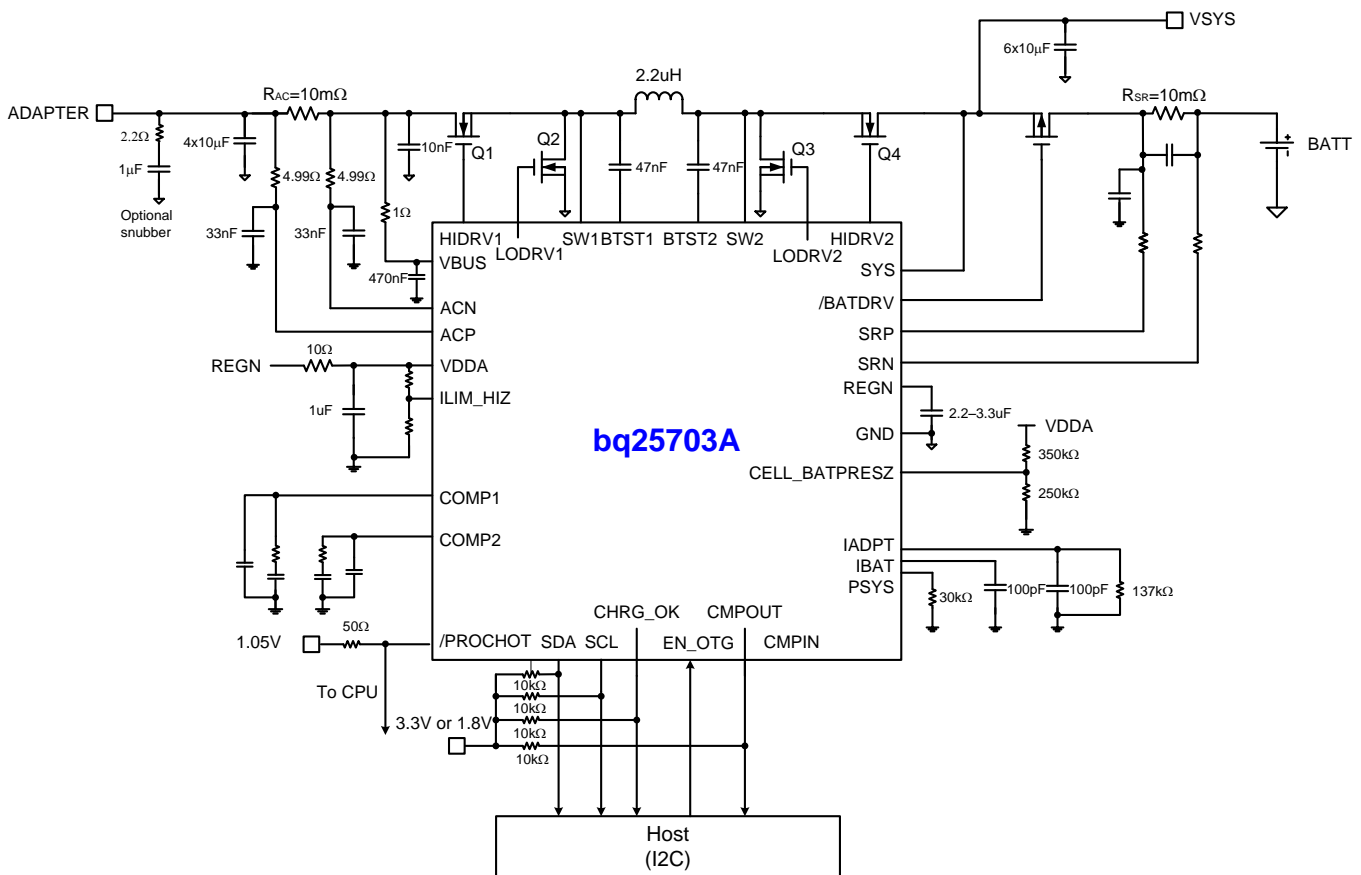
注

Information in the following applications sections is not part of the TI component specification, and TI does not warrant its accuracy or completeness. TI's customers are responsible for determining suitability of components for their purposes. Customers should validate and test their design implementation to confirm system functionality.

9.1 Application Information

The bq2570xEVM-732 evaluation module (EVM) is a complete charger module for evaluating the bq25703A. The application curves were taken using the bq2570xEVM-732. Refer to the EVM user's guide (SLUUBG6) for EVM information.

9.2 Typical Application



Copyright © 2017, Texas Instruments Incorporated

46. Application Diagram

9.2.1 Design Requirements

| DESIGN PARAMETER | EXAMPLE VALUE |
|---------------------------------------|--------------------------------|
| Input Voltage ⁽¹⁾ | 3.5 V < Adapter Voltage < 24 V |
| Input Current Limit ⁽¹⁾ | 3.2 A for 65 W adapter |
| Battery Charge Voltage ⁽²⁾ | 8400 mV for 2s battery |

(1) Refer to adapter specification for settings for Input Voltage and Input Current Limit.

(2) Refer to battery specification for settings.

Typical Application (continued)

| DESIGN PARAMETER | EXAMPLE VALUE |
|---------------------------------------|------------------------|
| Battery Charge Current ⁽²⁾ | 3072 mA for 2s battery |
| Minimum System Voltage ⁽²⁾ | 6144 mV for 2s battery |

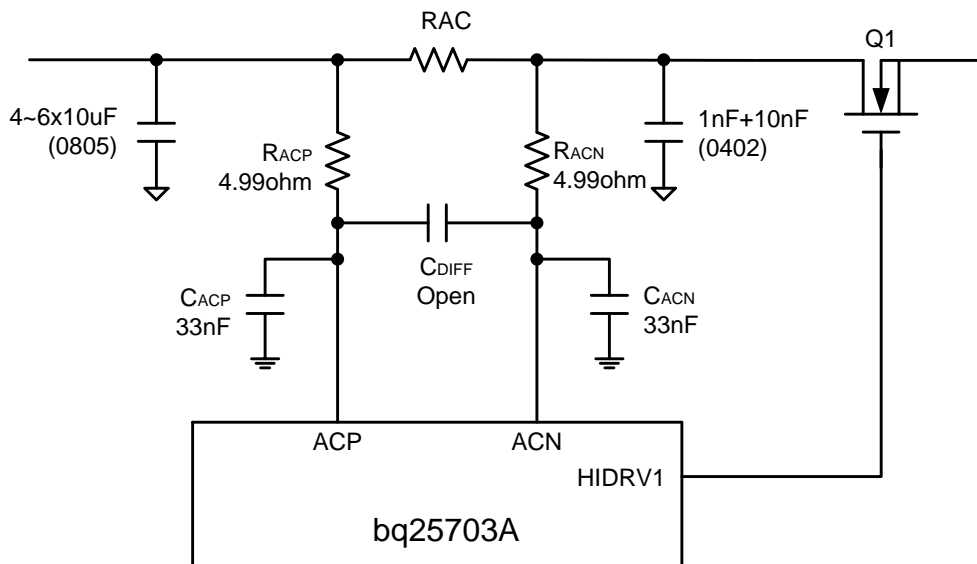
9.2.2 Detailed Design Procedure

The parameters are configurable using the evaluation software. The simplified application circuit (see [Figure 46](#), as the application diagram) shows the minimum component requirements. Inductor, capacitor, and MOSFET selection are explained in the rest of this section. Refer to the EVM user's guide ([SLUUBG6](#)) for the complete application schematic.

9.2.2.1 ACP-ACN Input Filter

The bq25703A has average current mode control. The input current sensing through ACP/ACN is critical to recover inductor current ripple. Parasitic inductance on board will generate high frequency ringing on ACP-ACN which overwhelms converter sensed inductor current information, so it is difficult to manage parasitic inductance created based on different PCB layout. Bigger parasitic inductance will generate bigger sense current ringing which will cause the average current control loop to go into oscillation.

For real system board condition, we suggest to use below circuit design to get best result and filter noise induced from different PCB parasitic factor. With time constant of filter from 47 nsec to 200 nsec, the filtering on ringing is effective and in the meantime, the delay of on the sensed signal is small and therefore poses no concern for average current mode control.



Copyright © 2017, Texas Instruments Incorporated

Figure 47. ACN-ACP Input Filter

9.2.2.2 Inductor Selection

The bq25703A has two selectable fixed switching frequency. Higher switching frequency allows the use of smaller inductor and capacitor values. Inductor saturation current should be higher than the charging current (I_{CHG}) plus half the ripple current (I_{RIPPLE}):

$$I_{SAT} \geq I_{CHG} + (1/2) I_{RIPPLE} \quad (3)$$

The inductor ripple current in buck operation depends on input voltage (V_{IN}), duty cycle ($D_{BUCK} = V_{OUT}/V_{IN}$), switching frequency (f_s) and inductance (L):

$$I_{RIPPLE_BUCK} = \frac{V_{IN} \times D \times (1 - D)}{f_s \times L} \quad (4)$$

During boost operation, the duty cycle is:

$$D_{\text{BOOST}} = 1 - (V_{\text{IN}}/V_{\text{BAT}})$$

and the ripple current is:

$$I_{\text{RIPPLE_BOOST}} = (V_{\text{IN}} \times D_{\text{BOOST}}) / (f_{\text{S}} \times L)$$

The maximum inductor ripple current happens with $D = 0.5$ or close to 0.5. For example, the battery charging voltage range is from 9 V to 12.6 V for 3-cell battery pack. For 20-V adapter voltage, 10-V battery voltage gives the maximum inductor ripple current. Another example is 4-cell battery, the battery voltage range is from 12 V to 16.8 V, and 12-V battery voltage gives the maximum inductor ripple current.

Usually inductor ripple is designed in the range of (20 – 40%) maximum charging current as a trade-off between inductor size and efficiency for a practical design.

9.2.2.3 Input Capacitor

Bulk input capacitors should be located in front of input current sensing resistor. Do not recommend to put bulk input capacitors between input sensing resistor and switching MOSFET. Input capacitor should have enough ripple current rating to absorb input switching ripple current. The worst case RMS ripple current is half of the charging current when duty cycle is 0.5 in buck mode. If the converter does not operate at 50% duty cycle, then the worst case capacitor RMS current occurs where the duty cycle is closest to 50% and can be estimated by 式 5:

$$I_{\text{CIN}} = I_{\text{CHG}} \times \sqrt{D \times (1 - D)} \quad (5)$$

Low ESR ceramic capacitor such as X7R or X5R is preferred for input decoupling capacitor and should be placed to the drain of the high side MOSFET and source of the low side MOSFET as close as possible. Voltage rating of the capacitor must be higher than normal input voltage level. 25 V rating or higher capacitor is preferred for 19 V - 20 V input voltage. Minimum 10- μF effective capacitance (7 pcs of 10- μF 0805 size capacitor) is suggested for 45 W-65 W adapter.

Ceramic capacitors show a dc-bias effect. This effect reduces the effective capacitance when a dc-bias voltage is applied across a ceramic capacitor, as on the input capacitor of a charger. The effect may lead to a significant capacitance drop, especially for high input voltages and small capacitor packages. See the manufacturer's datasheet about the performance with a dc bias voltage applied. It may be necessary to choose a higher voltage rating or nominal capacitance value in order to get the required value at the operating point.

9.2.2.4 Output Capacitor

Output capacitor also should have enough ripple current rating to absorb output switching ripple current. In buck mode the output capacitor RMS current is given:

To get good loop stability, the resonant frequency of the output inductor and output capacitor should be designed between 10 kHz and 20 kHz. The preferred ceramic capacitor is 25-V X7R or X5R for output capacitor. Minimum 10- μF effective capacitance (7 pcs of 10- μF 0805 size capacitor) is suggested to be placed by the inductor, and 50- μF effective distributed capacitance on V_{SYS} output. Place the capacitors after Q4 drain. Place minimum 10 μF after the charge current sense resistor for best stability.

Ceramic capacitors show a dc-bias effect. This effect reduces the effective capacitance when a dc-bias voltage is applied across a ceramic capacitor, as on the output capacitor of a charger. The effect may lead to a significant capacitance drop, especially for high output voltages and small capacitor packages. See the manufacturer's data sheet about the performance with a dc bias voltage applied. It may be necessary to choose a higher voltage rating or nominal capacitance value in order to get the required value at the operating point.

9.2.2.5 Power MOSFETs Selection

Four external N-channel MOSFETs are used for a synchronous switching battery charger. The gate drivers are internally integrated into the IC with 6 V of gate drive voltage. 30 V or higher voltage rating MOSFETs are preferred for 19 V - 20 V input voltage.

Figure-of-merit (FOM) is usually used for selecting proper MOSFET based on a tradeoff between the conduction loss and switching loss. For the top side MOSFET, FOM is defined as the product of a MOSFET's on-resistance, $R_{\text{DS(ON)}}$, and the gate-to-drain charge, Q_{GD} . For the bottom side MOSFET, FOM is defined as the product of the MOSFET's on-resistance, $R_{\text{DS(ON)}}$, and the total gate charge, Q_{G} .

$$\text{FOM}_{\text{top}} = R_{\text{DS(on)}} \times Q_{\text{GD}}; \text{FOM}_{\text{bottom}} = R_{\text{DS(on)}} \times Q_{\text{G}} \quad (6)$$

The lower the FOM value, the lower the total power loss. Usually lower $R_{DS(ON)}$ has higher cost with the same package size.

The top-side MOSFET loss includes conduction loss and switching loss. It is a function of duty cycle ($D=V_{OUT}/V_{IN}$), charging current (I_{CHG}), MOSFET's on-resistance ($R_{DS(ON)}$), input voltage (V_{IN}), switching frequency (f_s), turn on time (t_{on}) and turn off time (t_{off}):

$$P_{top} = D \times I_{CHG}^2 \times R_{DS(on)} + \frac{1}{2} \times V_{IN} \times I_{CHG} \times (t_{on} + t_{off}) \times f_s \quad (7)$$

The first item represents the conduction loss. Usually MOSFET $R_{DS(ON)}$ increases by 50% with 100°C junction temperature rise. The second term represents the switching loss. The MOSFET turn-on and turn-off times are given by:

$$t_{on} = \frac{Q_{SW}}{I_{on}}, \quad t_{off} = \frac{Q_{SW}}{I_{off}} \quad (8)$$

where Q_{SW} is the switching charge, I_{on} is the turn-on gate driving current and I_{off} is the turn-off gate driving current. If the switching charge is not given in MOSFET datasheet, it can be estimated by gate-to-drain charge (Q_{GD}) and gate-to-source charge (Q_{GS}):

$$Q_{SW} = Q_{GD} + \frac{1}{2} \times Q_{GS} \quad (9)$$

Gate driving current can be estimated by REGN voltage (V_{REGN}), MOSFET plateau voltage (V_{plt}), total turn-on gate resistance (R_{on}) and turn-off gate resistance (R_{off}) of the gate driver:

$$I_{on} = \frac{V_{REGN} - V_{plt}}{R_{on}}, \quad I_{off} = \frac{V_{plt}}{R_{off}} \quad (10)$$

The conduction loss of the bottom-side MOSFET is calculated with the following equation when it operates in synchronous continuous conduction mode:

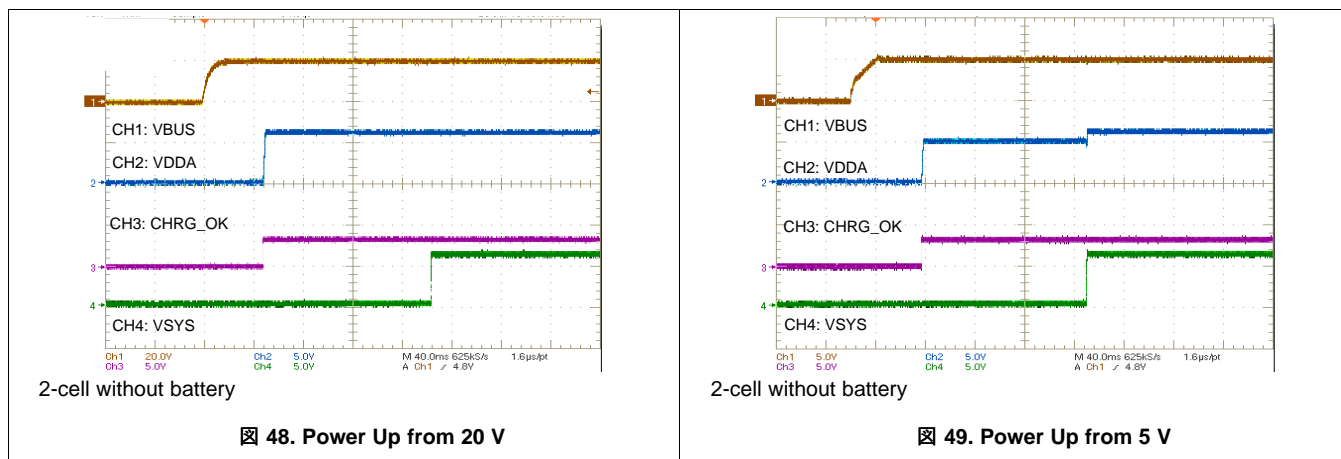
$$P_{bottom} = (1 - D) \times I_{CHG}^2 \times R_{DS(on)} \quad (11)$$

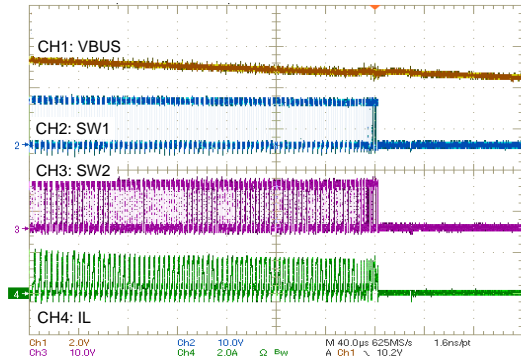
When charger operates in non-synchronous mode, the bottom-side MOSFET is off. As a result all the freewheeling current goes through the body-diode of the bottom-side MOSFET. The body diode power loss depends on its forward voltage drop (V_F), non-synchronous mode charging current ($I_{NONSYNC}$), and duty cycle (D).

$$P_D = V_F \times I_{NONSYNC} \times (1 - D) \quad (12)$$

The maximum charging current in non-synchronous mode can be up to 0.25 A for a 10-mΩ charging current sensing resistor or 0.5 A if battery voltage is below 2.5 V. The minimum duty cycle happens at lowest battery voltage. Choose the bottom-side MOSFET with either an internal Schottky or body diode capable of carrying the maximum non-synchronous mode charging current.

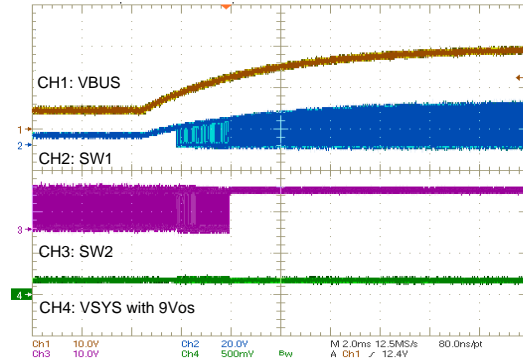
9.2.3 Application Curves





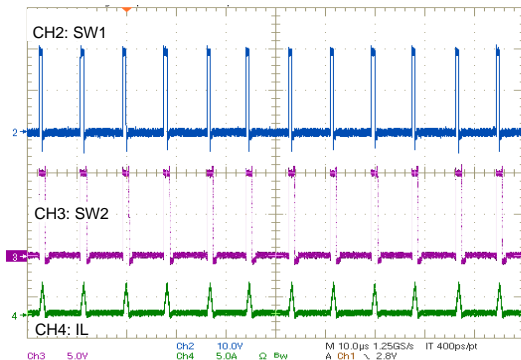
3-cell VBAT = 10 V

图 50. Power Off from 12 V



VBUS 5 V to 20 V

图 51. System Regulation



VBUS = 20 V, VSYS = 10 V, ISYS = 200 mA

图 52. PFM Operation

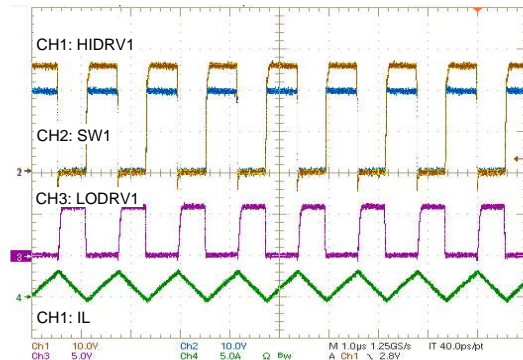
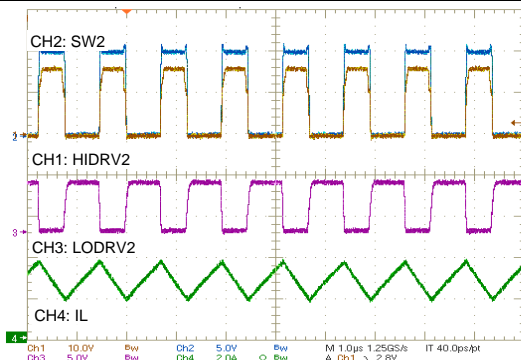
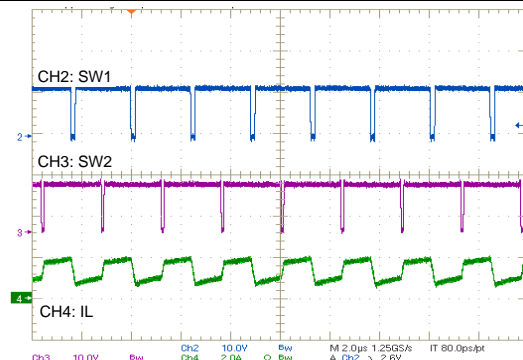


图 53. PWM Operation



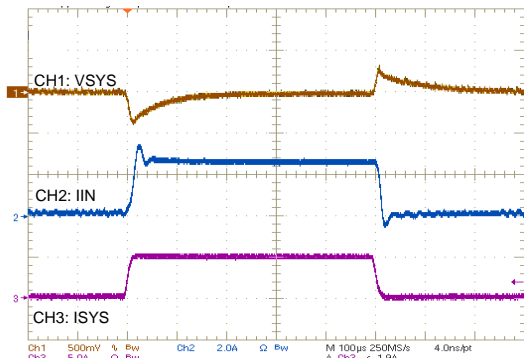
VBUS = 5 V, VBAT = 10 V

图 54. Switching During Boost Mode



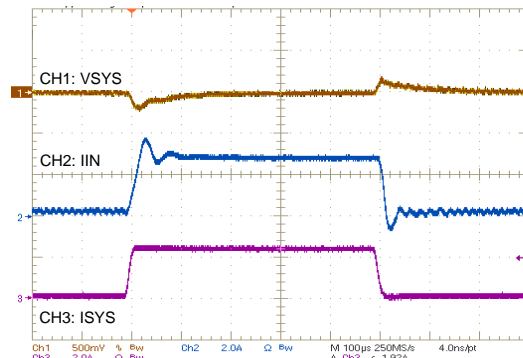
VBUS = 12 V, VBAT = 12 V

图 55. Switching During Buck Boost Mode



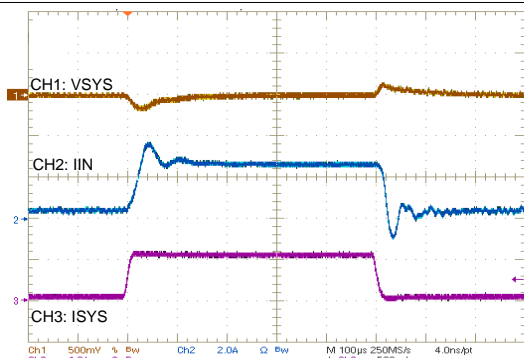
VBUS = 12 V/3.3 A, 3-cell, VSYS = 9 V, Without battery

Figure 56. System Regulation in Buck Mode



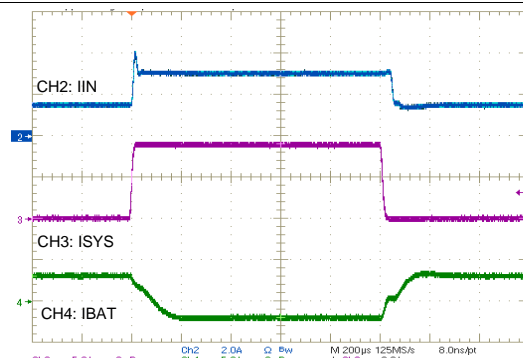
VBUS = 9 V/3.3 A, 3-cell, VSYS = 9 V, Without battery

Figure 57. System Regulation in Buck Boost Mode



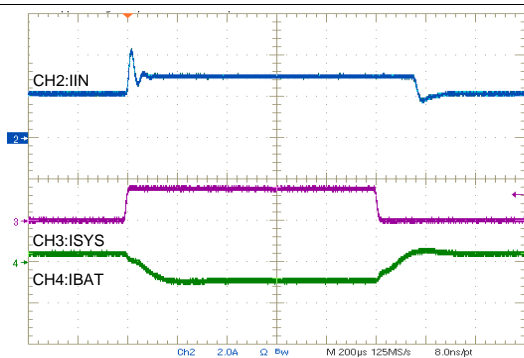
VBUS = 5 V/3.3 A, 3-cell, VSYS = 9 V, Without battery

Figure 58. System Regulation in Boost Mode



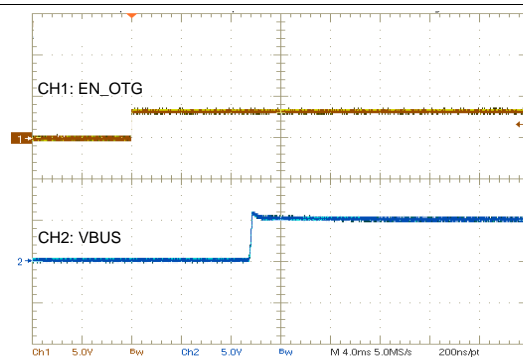
VBUS = 20 V/3.3 V, VBAT = 7.5 V

Figure 59. Input Current Regulation in Buck Mode



VBUS = 5 V/3.3 V, VBAT = 7.5 V

Figure 60. Input Current in Boost Mode



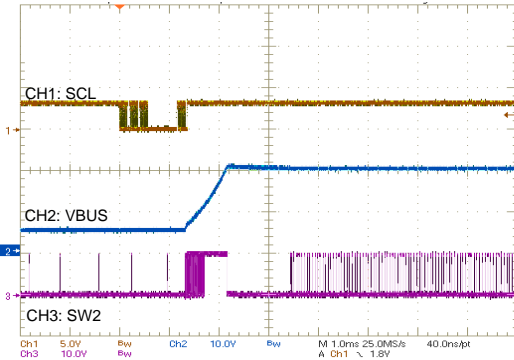
VBUS = 5 V

Figure 61. OTG Power Up from 8 V Battery

bq25703A

JAJSD78A –MAY 2017–REVISED MAY 2018

www.tij.co.jp



VBAT = 10 V, VBUS 5 V to 20 V, IOTG = 500 mA

图 62. OTG Voltage Ramp Up

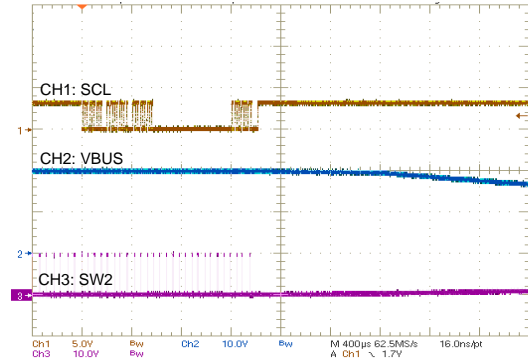
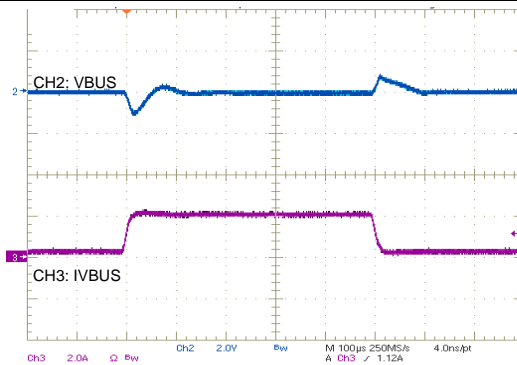


图 63. OTG Power Off



VBAT = 10 V, VBUS = 20 V

图 64. OTG Load Transient

10 Power Supply Recommendations

The valid adapter range is from 3.5 V ($V_{V_{BUS_CONVEN}}$) to 24 V (ACOV) with at least 500-mA current rating. When CHRG_OK goes HIGH, the system is powered from adapter through the charger. When adapter is removed, the system is connected to battery through BATFET. Typically the battery depletion threshold should be greater than the minimum system voltage so that the battery capacity can be fully utilized for maximum battery life.

11 Layout

11.1 Layout Guidelines

The switching node rise and fall times should be minimized for minimum switching loss. Proper layout of the components to minimize high frequency current path loop (see [Layout Example](#) section) is important to prevent electrical and magnetic field radiation and high frequency resonant problems. Here is a PCB layout priority list for proper layout. Layout PCB according to this specific order is essential.

1. Place the input capacitor as close as possible to the supply of the switching MOSFET and ground connections. Use a short copper trace connection. These parts must be placed on the same layer of PCB using vias to make this connection.
2. The device must be placed close to the gate pins of the switching MOSFET. Keep the gate drive signal traces short for a clean MOSFET drive. The device can be placed on the other side of the PCB of switching MOSFETs.
3. Place an inductor input pin as close as possible to the output pin of the switching MOSFET. Minimize the copper area of this trace to lower electrical and magnetic field radiation but make the trace wide enough to carry the charging current. Do not use multiple layers in parallel for this connection. Minimize parasitic capacitance from this area to any other trace or plane.
4. The charging current sensing resistor should be placed right next to the inductor output. Route the sense leads connected across the sensing resistor back to the device in same layer, close to each other (minimize loop area) and do not route the sense leads through a high-current path (see [Figure 66](#) for Kelvin connection for best current accuracy). Place a decoupling capacitor on these traces next to the device.
5. Place an output capacitor next to the sensing resistor output and ground.
6. Output capacitor ground connections must be tied to the same copper that connects to the input capacitor ground before connecting to system ground.
7. Use a single ground connection to tie the charger power ground to the charger analog ground. Just beneath the device, use analog ground copper pour but avoid power pins to reduce inductive and capacitive noise coupling.
8. Route analog ground separately from power ground. Connect analog ground and connect power ground separately. Connect analog ground and power ground together using power pad as the single ground connection point. Or using a 0-Ω resistor to tie analog ground to power ground (power pad should tie to analog ground in this case if possible).
9. Decoupling capacitors must be placed next to the device pins. Make trace connection as short as possible.
10. It is critical that the exposed power pad on the backside of the device package be soldered to the PCB ground.
11. The via size and number should be enough for a given current path. See the EVM design ([SLUUBG6](#)) for the recommended component placement with trace and via locations. For WQFN information, see [SLUA271](#).

11.2 Layout Example

11.2.1 Layout Consideration of Current Path

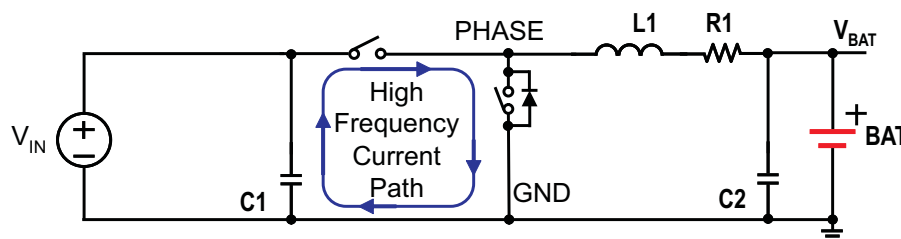
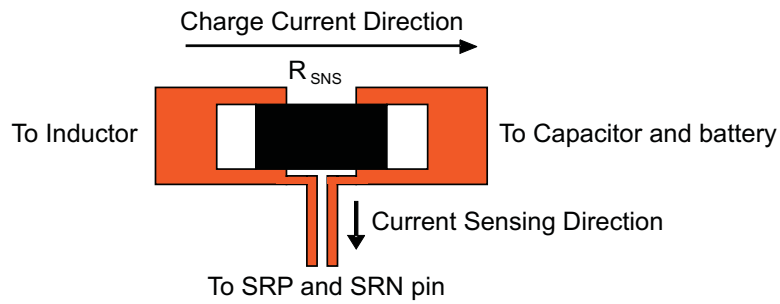


Figure 65. High Frequency Current Path

Layout Example (continued)

11.2.2 Layout Consideration of Short Circuit Protection



☒ 66. Sensing Resistor PCB Layout

12 デバイスおよびドキュメントのサポート

12.1 デバイス・サポート

12.1.1 デベロッパー・ネットワークの製品に関する免責事項

デベロッパー・ネットワークの製品またはサービスに関するTIの出版物は、単独またはTIの製品、サービスと一緒に提供される場合に関係なく、デベロッパー・ネットワークの製品またはサービスの適合性に関する是認、デベロッパー・ネットワークの製品またはサービスの是認の表明を意味するものではありません。

12.2 ドキュメントのサポート

12.2.1 関連資料

関連資料については、以下を参照してください。

- 『半導体およびICパッケージの熱指標』アプリケーション・レポート [SPRA953](#)
- 『bq2570x評価モジュール・ユーザー・ガイド』 [SLUUBG6](#)
- 『QFN/SONのPCB実装』アプリケーション・レポート [SLUA271](#)

12.3 ドキュメントの更新通知を受け取る方法

ドキュメントの更新についての通知を受け取るには、ti.comのデバイス製品フォルダを開いてください。右上の隅にある「通知を受け取る」をクリックして登録すると、変更されたすべての製品情報に関するダイジェストを毎週受け取れます。変更の詳細については、修正されたドキュメントに含まれている改訂履歴をご覧ください。

12.4 コミュニティ・リソース

The following links connect to TI community resources. Linked contents are provided "AS IS" by the respective contributors. They do not constitute TI specifications and do not necessarily reflect TI's views; see TI's [Terms of Use](#).

TI E2E™オンライン・コミュニティ TIのE2E (*Engineer-to-Engineer*) コミュニティ。エンジニア間の共同作業を促進するために開設されたものです。e2e.ti.comでは、他のエンジニアに質問し、知識を共有し、アイデアを検討して、問題解決に役立てることができます。

設計サポート TIの設計サポート役に立つE2Eフォーラムや、設計サポート・ツールをすばやく見つけることができます。技術サポート用の連絡先情報も参照できます。

12.5 商標

E2E is a trademark of Texas Instruments.
All other trademarks are the property of their respective owners.

12.6 静電気放電に関する注意事項



これらのデバイスは、限定的なESD (静電破壊) 保護機能を内蔵しています。保存時または取り扱い時は、MOSゲートに対する静電破壊を防止するために、リード線同士をショートさせておくか、デバイスを導電フォームに入れる必要があります。

12.7 Glossary

[SLYZ022](#) — TI Glossary.

This glossary lists and explains terms, acronyms, and definitions.

13 メカニカル、パッケージ、および注文情報

以降のページには、メカニカル、パッケージ、および注文に関する情報が記載されています。この情報は、そのデバイスについて利用可能な最新のデータです。このデータは予告なく変更されることがあり、ドキュメントが改訂される場合もあります。本データシートのブラウザ版を使用されている場合は、画面左側の説明をご覧ください。

13.1 Package Option Addendum

13.1.1 Packaging Information

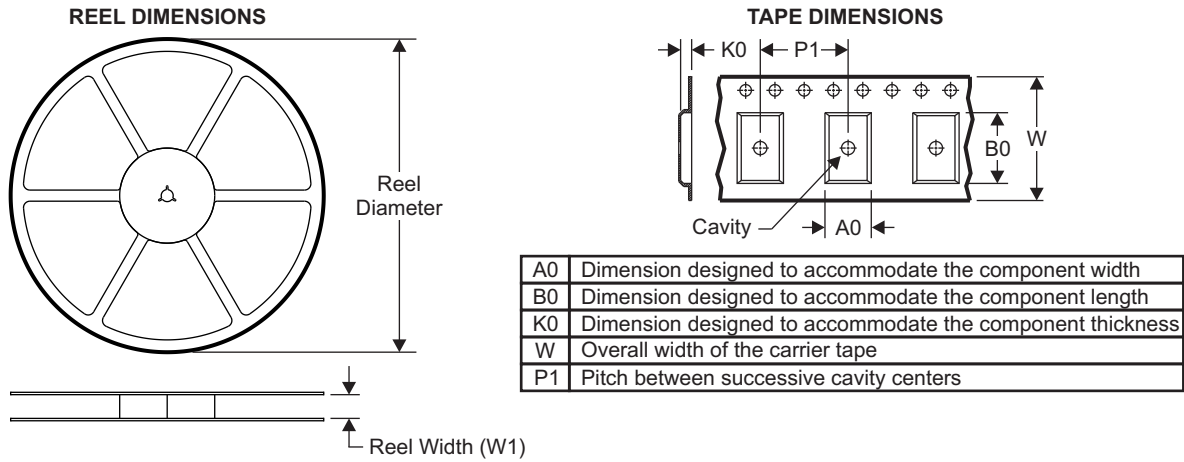
| Orderable Device | Status ⁽¹⁾ | Package Type | Package Drawing | Pins | Package Qty | Eco Plan ⁽²⁾ | Lead/Ball Finish ⁽³⁾ | MSL Peak Temp ⁽⁴⁾ | Op Temp (°C) | Device Marking ⁽⁵⁾⁽⁶⁾ |
|------------------|-----------------------|--------------|-----------------|------|-------------|-------------------------|---------------------------------|------------------------------|--------------|----------------------------------|
| bq25703ARSNR | PREVIEW | WQFN | RSN | 32 | 3000 | Green (RoHS & no Sb/Br) | CU NIPDAU | Level-2-260C-1 YEAR | -40 to 85 | bq25703A |
| bq25703ARSNT | PREVIEW | WQFN | RSN | 32 | 250 | Green (RoHS & no Sb/Br) | CU NIPDAU | Level-2-260C-1 YEAR | -40 to 85 | bq25703A |

- (1) The marketing status values are defined as follows:
ACTIVE: Product device recommended for new designs.
LIFEBUY: TI has announced that the device will be discontinued, and a lifetime-buy period is in effect.
NRND: Not recommended for new designs. Device is in production to support existing customers, but TI does not recommend using this part in a new design.
PRE_PROD Unannounced device, not in production, not available for mass market, nor on the web, samples not available.
PREVIEW: Device has been announced but is not in production. Samples may or may not be available.
OBSOLETE: TI has discontinued the production of the device.
- (2) Eco Plan - The planned eco-friendly classification: Pb-Free (RoHS), Pb-Free (RoHS Exempt), or Green (RoHS & no Sb/Br) - please check <http://www.ti.com/productcontent> for the latest availability information and additional product content details.
TBD: The Pb-Free/Green conversion plan has not been defined.
Pb-Free (RoHS): TI's terms "Lead-Free" or "Pb-Free" mean semiconductor products that are compatible with the current RoHS requirements for all 6 substances, including the requirement that lead not exceed 0.1% by weight in homogeneous materials. Where designed to be soldered at high temperatures, TI Pb-Free products are suitable for use in specified lead-free processes.
Pb-Free (RoHS Exempt): This component has a RoHS exemption for either 1) lead-based flip-chip solder bumps used between the die and package, or 2) lead-based die adhesive used between the die and leadframe. The component is otherwise considered Pb-Free (RoHS compatible) as defined above.
Green (RoHS & no Sb/Br): TI defines "Green" to mean Pb-Free (RoHS compatible), and free of Bromine (Br) and Antimony (Sb) based flame retardants (Br or Sb do not exceed 0.1% by weight in homogeneous material)
- (3) Lead/Ball Finish - Orderable Devices may have multiple material finish options. Finish options are separated by a vertical ruled line. Lead/Ball Finish values may wrap to two lines if the finish value exceeds the maximum column width.
- (4) MSL, Peak Temp. -- The Moisture Sensitivity Level rating according to the JEDEC industry standard classifications, and peak solder temperature.
- (5) There may be additional marking, which relates to the logo, the lot trace code information, or the environmental category on the device
- (6) Multiple Device markings will be inside parentheses. Only on Device Marking contained in parentheses and separated by a "-" will appear on a device. If a line is indented then it is a continuation of the previous line and the two combined represent the entire Device Marking for that device.

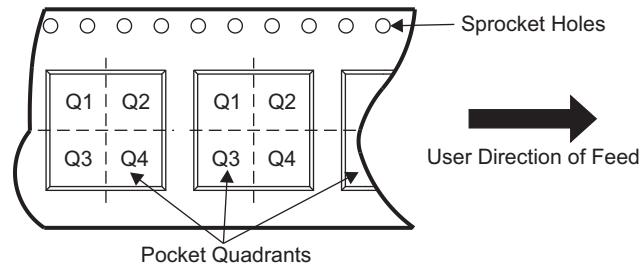
Important Information and Disclaimer: The information provided on this page represents TI's knowledge and belief as of the date that it is provided. TI bases its knowledge and belief on information provided by third parties, and makes no representation or warranty as to the accuracy of such information. Efforts are underway to better integrate information from third parties. TI has taken and continues to take reasonable steps to provide representative and accurate information but may not have conducted destructive testing or chemical analysis on incoming materials and chemicals. TI and TI suppliers consider certain information to be proprietary, and thus CAS numbers and other limited information may not be available for release.

In no event shall TI's liability arising out of such information exceed the total purchase price of the TI part(s) at issue in this document sold by TI to Customer on an annual basis.

13.1.2 Tape and Reel Information



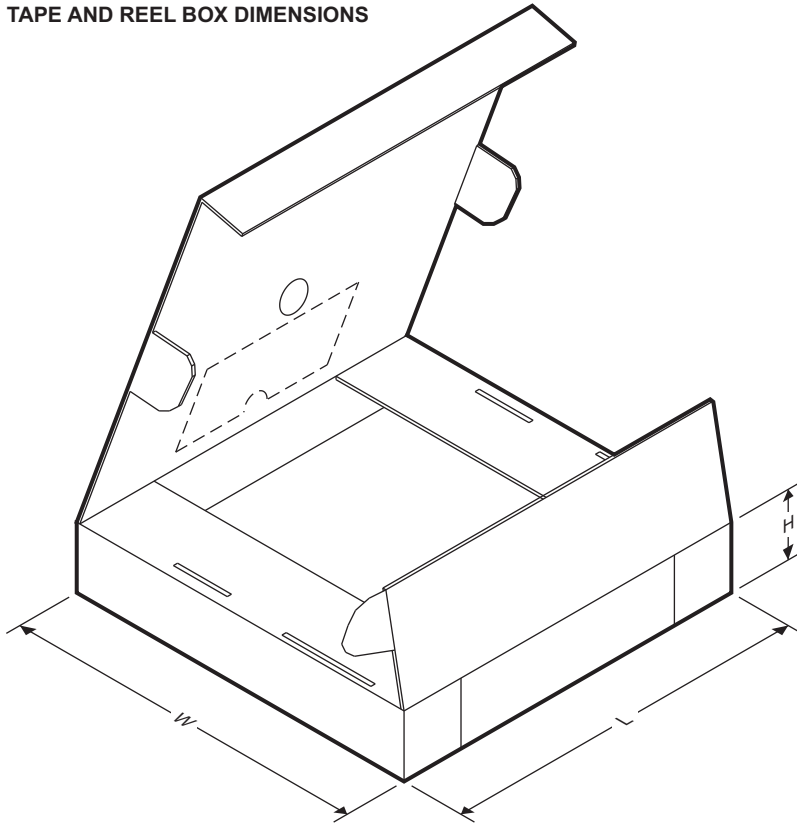
QUADRANT ASSIGNMENTS FOR PIN 1 ORIENTATION IN TAPE



| Device | Package Type | Package Drawing | Pins | SPQ | Reel Diameter (mm) | Reel Width W1 (mm) | A0 (mm) | B0 (mm) | K0 (mm) | P1 (mm) | W (mm) | Pin1 Quadrant |
|--------------|--------------|-----------------|------|------|--------------------|--------------------|---------|---------|---------|---------|--------|---------------|
| bq25703ARSNR | WQFN | RSN | 32 | 3000 | 330.0 | 12.4 | 4.25 | 4.25 | 1.15 | 8.0 | 12.0 | Q2 |
| bq25703ARSNT | WQFN | RSN | 32 | 250 | 330.0 | 12.4 | 4.25 | 4.25 | 1.15 | 8.0 | 12.0 | Q2 |

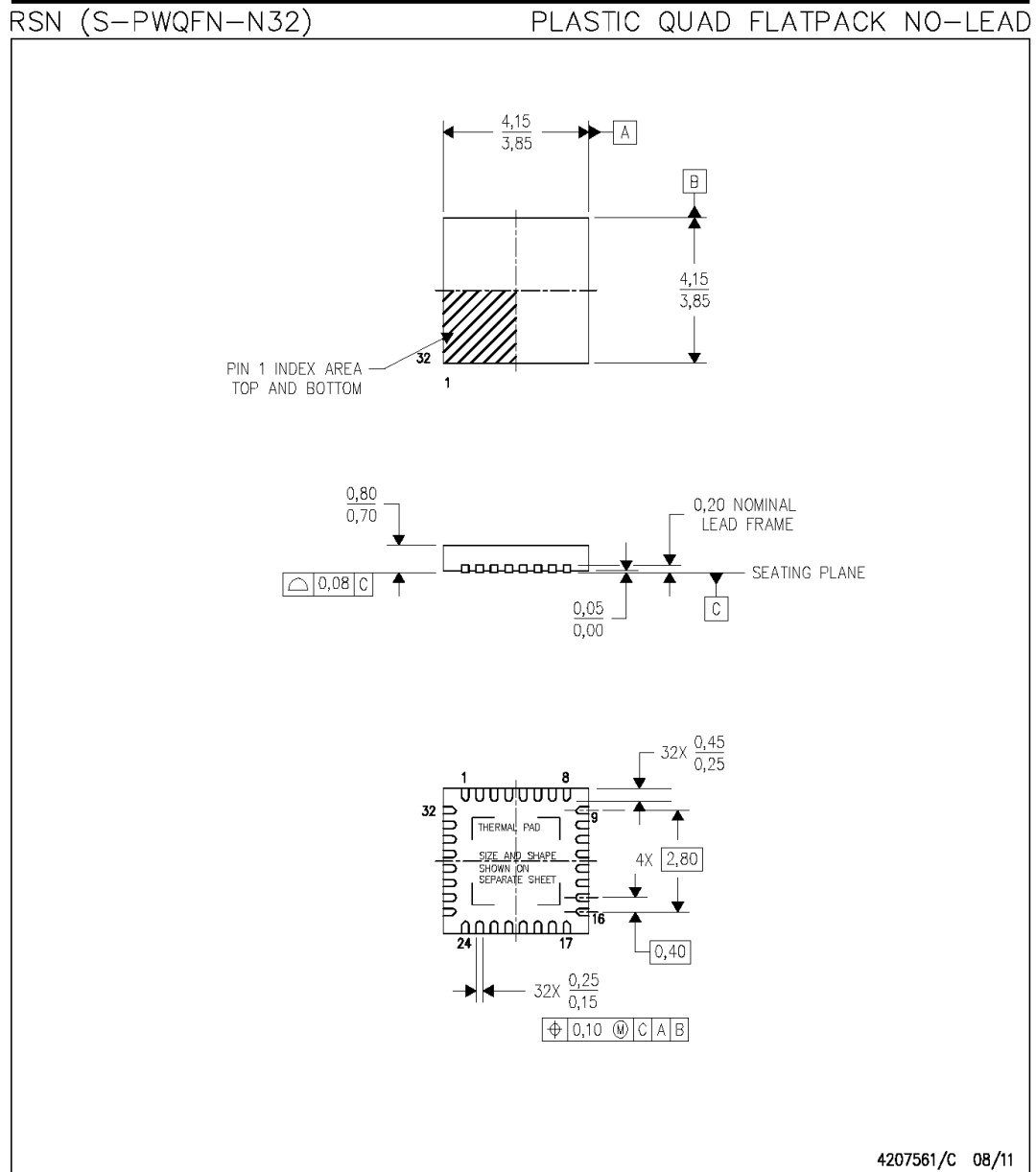
bq25703A

JAJSD78A –MAY 2017–REVISED MAY 2018

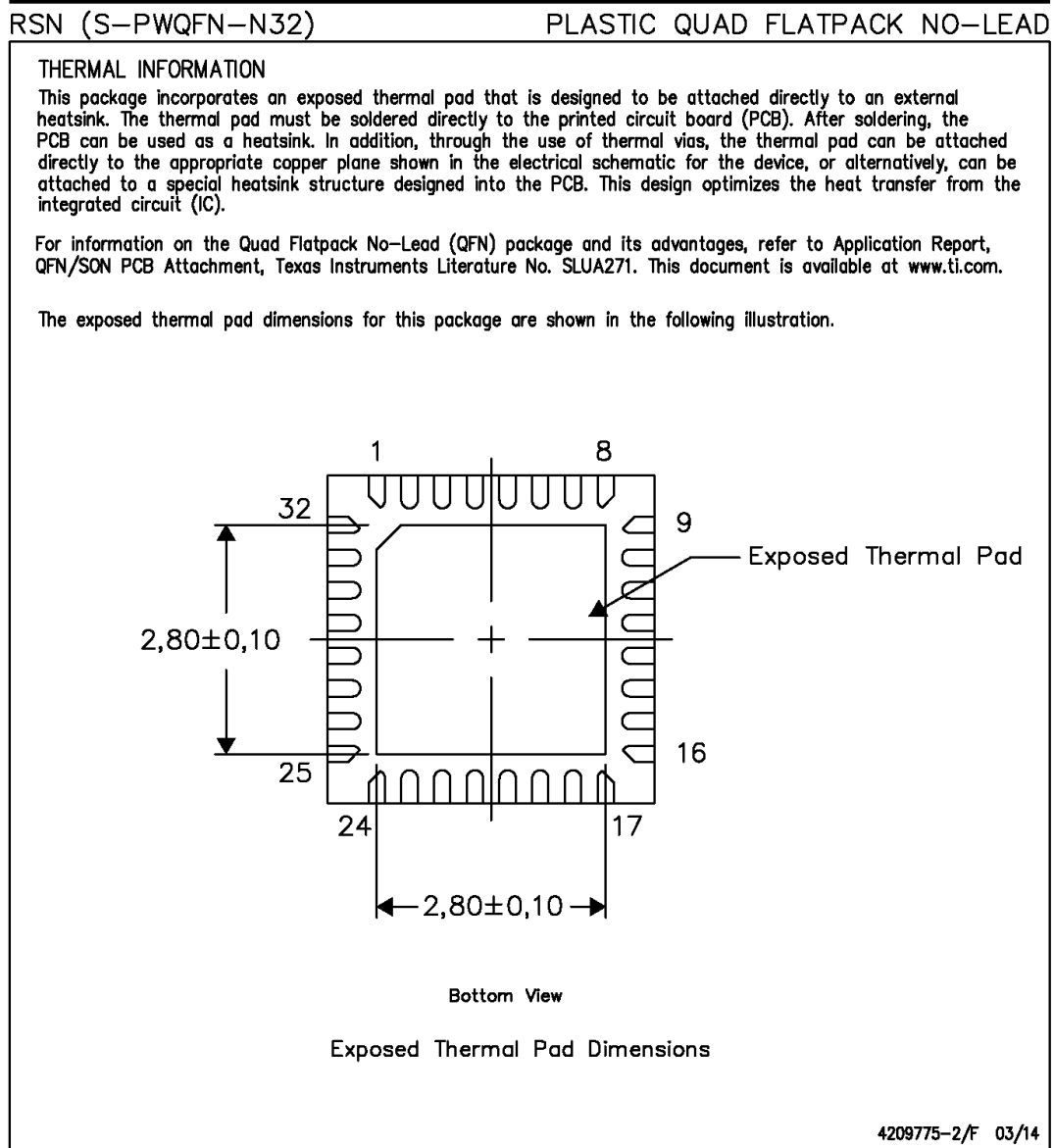
www.tij.co.jp
TAPE AND REEL BOX DIMENSIONS


| Device | Package Type | Package Drawing | Pins | SPQ | Length (mm) | Width (mm) | Height (mm) |
|--------------|--------------|-----------------|------|------|-------------|------------|-------------|
| bq25703ARSNR | WQFN | RSN | 32 | 3000 | 367.0 | 367.0 | 35.0 |
| bq25703ARSNT | WQFN | RSN | 32 | 250 | 210.0 | 185.0 | 35.0 |

MECHANICAL DATA



- NOTES:
- A. All linear dimensions are in millimeters. Dimensioning and tolerancing per ASME Y14.5M-1994.
 - B. This drawing is subject to change without notice.
 - C. QFN (Quad Flatpack No-Lead) Package configuration.
 - D. The package thermal pad must be soldered to the board for thermal and mechanical performance.
 - E. See the additional figure in the Product Data Sheet for details regarding the exposed thermal pad features and dimensions.

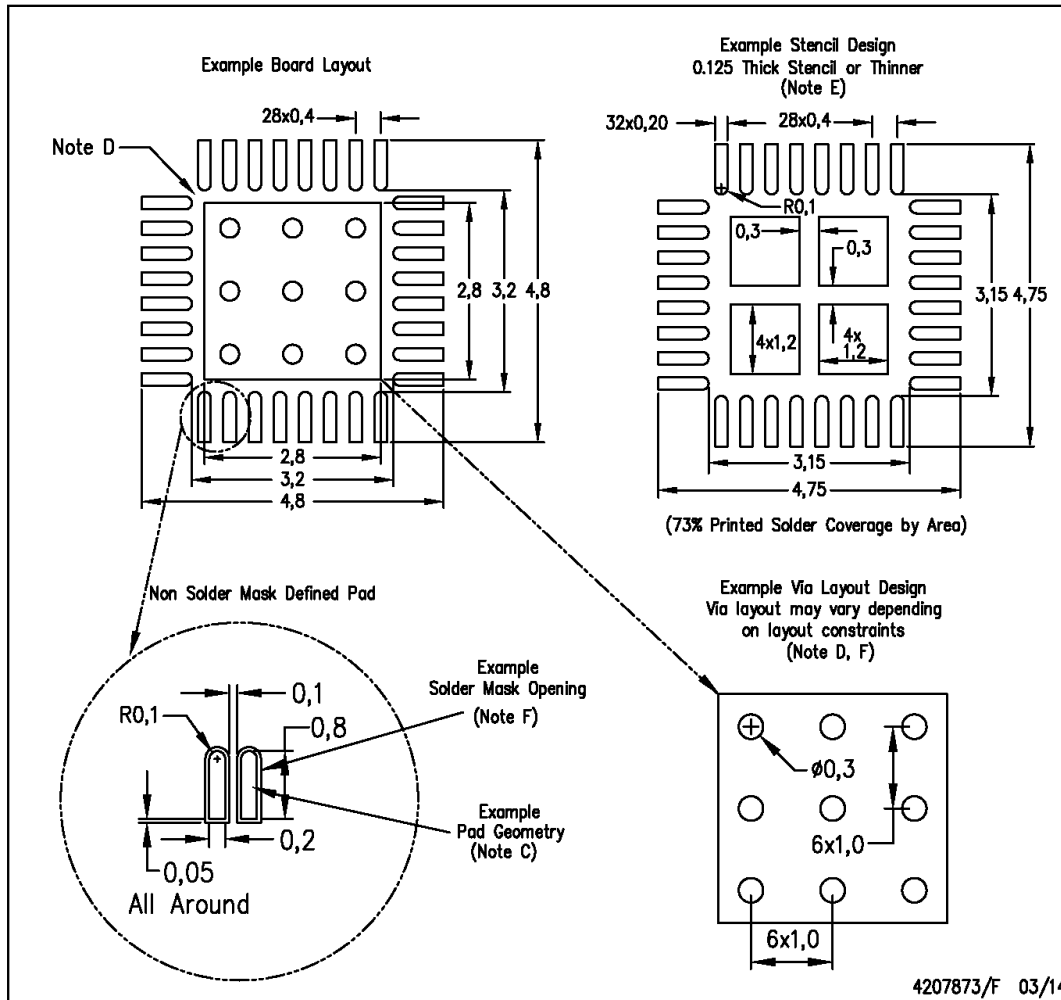
THERMAL PAD MECHANICAL DATA


NOTE: All linear dimensions are in millimeters

LAND PATTERN DATA



RSN (S-PWQFN-N32)

PLASTIC QUAD FLATPACK NO-LEAD



- NOTES:
- All linear dimensions are in millimeters.
 - This drawing is subject to change without notice.
 - Publication IPC-7351 is recommended for alternate designs.
 - This package is designed to be soldered to a thermal pad on the board. Refer to Application Note, Quad Flat-Pack Packages, Texas Instruments Literature No. SLUA271, and also the Product Data Sheets for specific thermal information, via requirements, and recommended board layout. These documents are available at www.ti.com <<http://www.ti.com>>.
 - Laser cutting apertures with trapezoidal walls and also rounding corners will offer better paste release. Customers should contact their board assembly site for stencil design recommendations. Refer to IPC 7525 for stencil design considerations.
 - Customers should contact their board fabrication site for recommended solder mask tolerances and via tenting recommendations for vias placed in the thermal pad.

PACKAGING INFORMATION

| Orderable Device | Status (1) | Package Type | Package Drawing | Pins | Package Qty | Eco Plan (2) | Lead finish/ Ball material (6) | MSL Peak Temp (3) | Op Temp (°C) | Device Marking (4/5) | Samples |
|------------------|---------------|--------------|-----------------|------|-------------|-----------------|--------------------------------------|----------------------|--------------|-------------------------|---|
| BQ25703ARSNR | ACTIVE | QFN | RSN | 32 | 3000 | RoHS & Green | NIPDAU | Level-1-260C-UNLIM | -40 to 85 | BQ 25703A |  |
| BQ25703ARSNT | ACTIVE | QFN | RSN | 32 | 250 | RoHS & Green | NIPDAU | Level-1-260C-UNLIM | -40 to 85 | BQ 25703A |  |

(1) The marketing status values are defined as follows:

ACTIVE: Product device recommended for new designs.

LIFEBUY: TI has announced that the device will be discontinued, and a lifetime-buy period is in effect.

NRND: Not recommended for new designs. Device is in production to support existing customers, but TI does not recommend using this part in a new design.

PREVIEW: Device has been announced but is not in production. Samples may or may not be available.

OBSOLETE: TI has discontinued the production of the device.

(2) **RoHS:** TI defines "RoHS" to mean semiconductor products that are compliant with the current EU RoHS requirements for all 10 RoHS substances, including the requirement that RoHS substance do not exceed 0.1% by weight in homogeneous materials. Where designed to be soldered at high temperatures, "RoHS" products are suitable for use in specified lead-free processes. TI may reference these types of products as "Pb-Free".

RoHS Exempt: TI defines "RoHS Exempt" to mean products that contain lead but are compliant with EU RoHS pursuant to a specific EU RoHS exemption.

Green: TI defines "Green" to mean the content of Chlorine (Cl) and Bromine (Br) based flame retardants meet JS709B low halogen requirements of <=1000ppm threshold. Antimony trioxide based flame retardants must also meet the <=1000ppm threshold requirement.

(3) MSL, Peak Temp. - The Moisture Sensitivity Level rating according to the JEDEC industry standard classifications, and peak solder temperature.

(4) There may be additional marking, which relates to the logo, the lot trace code information, or the environmental category on the device.

(5) Multiple Device Markings will be inside parentheses. Only one Device Marking contained in parentheses and separated by a "~" will appear on a device. If a line is indented then it is a continuation of the previous line and the two combined represent the entire Device Marking for that device.

(6) Lead finish/Ball material - Orderable Devices may have multiple material finish options. Finish options are separated by a vertical ruled line. Lead finish/Ball material values may wrap to two lines if the finish value exceeds the maximum column width.

Important Information and Disclaimer:The information provided on this page represents TI's knowledge and belief as of the date that it is provided. TI bases its knowledge and belief on information provided by third parties, and makes no representation or warranty as to the accuracy of such information. Efforts are underway to better integrate information from third parties. TI has taken and continues to take reasonable steps to provide representative and accurate information but may not have conducted destructive testing or chemical analysis on incoming materials and chemicals. TI and TI suppliers consider certain information to be proprietary, and thus CAS numbers and other limited information may not be available for release.

In no event shall TI's liability arising out of such information exceed the total purchase price of the TI part(s) at issue in this document sold by TI to Customer on an annual basis.

TAPE AND REEL INFORMATION



QUADRANT ASSIGNMENTS FOR PIN 1 ORIENTATION IN TAPE



*All dimensions are nominal

| Device | Package Type | Package Drawing | Pins | SPQ | Reel Diameter (mm) | Reel Width W1 (mm) | A0 (mm) | B0 (mm) | K0 (mm) | P1 (mm) | W (mm) | Pin1 Quadrant |
|--------------|--------------|-----------------|------|------|--------------------|--------------------|---------|---------|---------|---------|--------|---------------|
| BQ25703ARSNR | QFN | RSN | 32 | 3000 | 330.0 | 12.4 | 4.25 | 4.25 | 1.15 | 8.0 | 12.0 | Q2 |
| BQ25703ARSNT | QFN | RSN | 32 | 250 | 180.0 | 12.4 | 4.25 | 4.25 | 1.15 | 8.0 | 12.0 | Q2 |

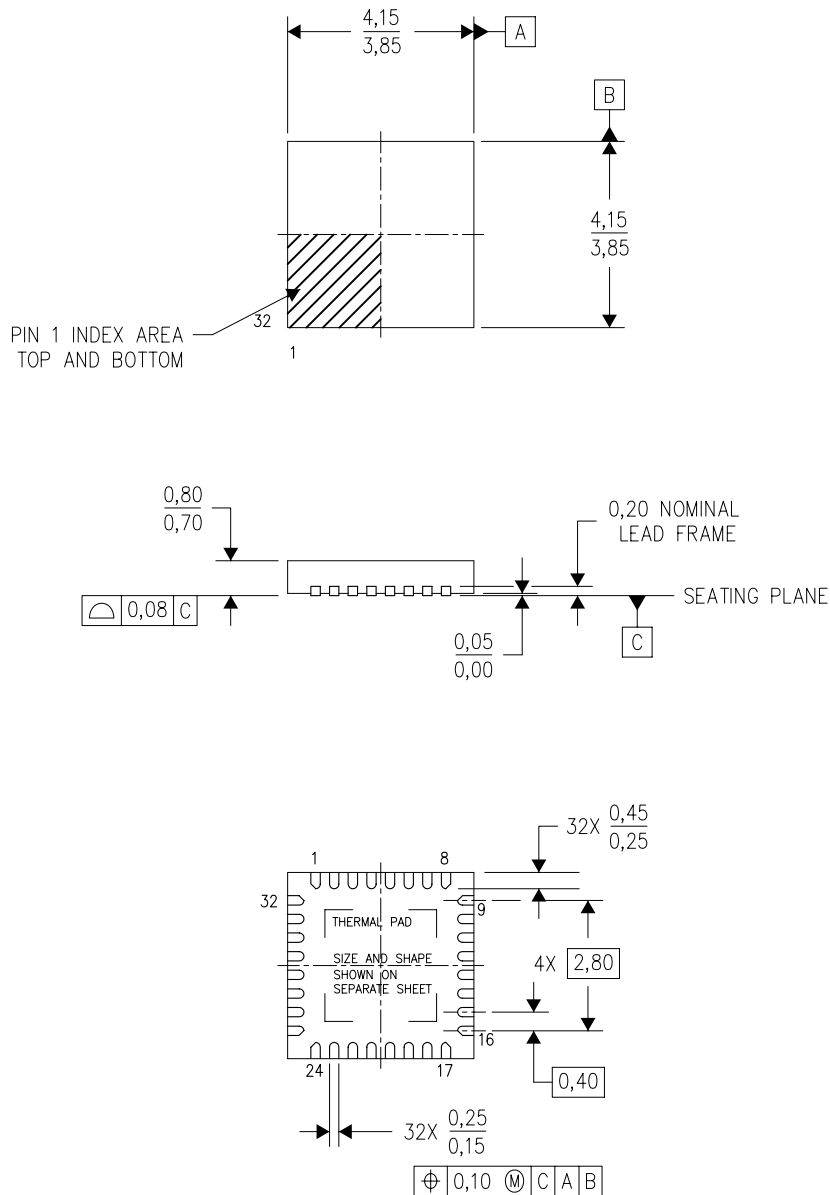
TAPE AND REEL BOX DIMENSIONS


*All dimensions are nominal

| Device | Package Type | Package Drawing | Pins | SPQ | Length (mm) | Width (mm) | Height (mm) |
|--------------|--------------|-----------------|------|------|-------------|------------|-------------|
| BQ25703ARSNR | QFN | RSN | 32 | 3000 | 367.0 | 367.0 | 35.0 |
| BQ25703ARSNT | QFN | RSN | 32 | 250 | 210.0 | 185.0 | 35.0 |

RSN (S-PWQFN-N32)

PLASTIC QUAD FLATPACK NO-LEAD



4207561/C 08/11

- NOTES:
- All linear dimensions are in millimeters. Dimensioning and tolerancing per ASME Y14.5M-1994.
 - This drawing is subject to change without notice.
 - QFN (Quad Flatpack No-Lead) Package configuration.
 - The package thermal pad must be soldered to the board for thermal and mechanical performance.
 - See the additional figure in the Product Data Sheet for details regarding the exposed thermal pad features and dimensions.

THERMAL PAD MECHANICAL DATA

RSN (S-PWQFN-N32)

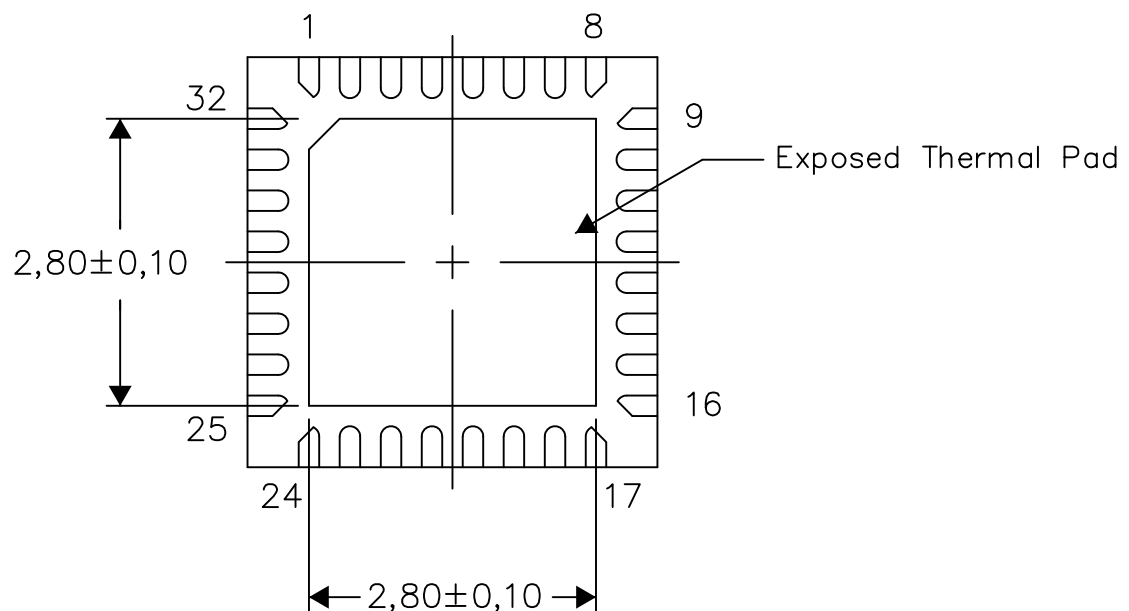
PLASTIC QUAD FLATPACK NO-LEAD

THERMAL INFORMATION

This package incorporates an exposed thermal pad that is designed to be attached directly to an external heatsink. The thermal pad must be soldered directly to the printed circuit board (PCB). After soldering, the PCB can be used as a heatsink. In addition, through the use of thermal vias, the thermal pad can be attached directly to the appropriate copper plane shown in the electrical schematic for the device, or alternatively, can be attached to a special heatsink structure designed into the PCB. This design optimizes the heat transfer from the integrated circuit (IC).

For information on the Quad Flatpack No-Lead (QFN) package and its advantages, refer to Application Report, QFN/SON PCB Attachment, Texas Instruments Literature No. SLUA271. This document is available at www.ti.com.

The exposed thermal pad dimensions for this package are shown in the following illustration.

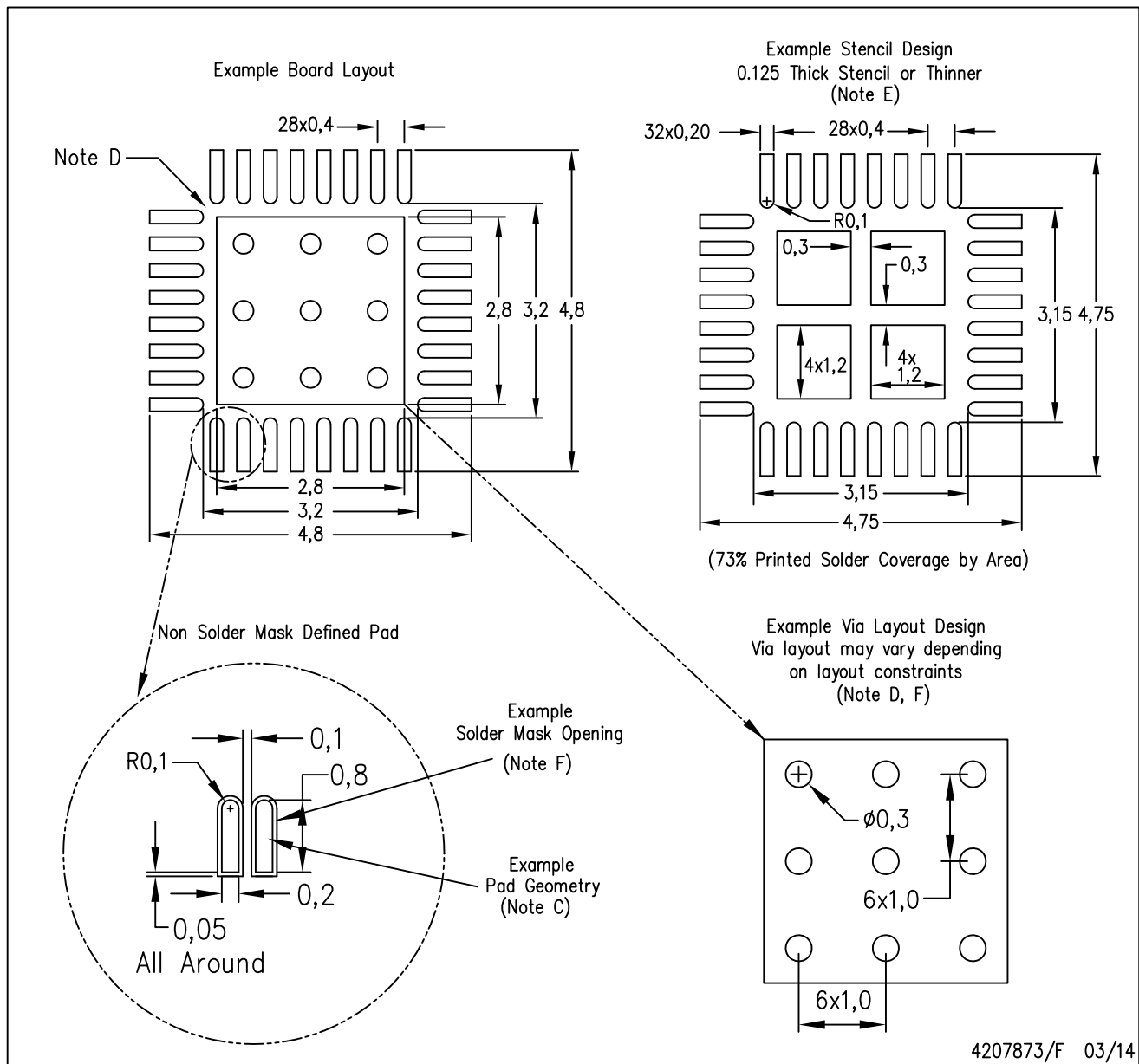


4209775-2/F 03/14

NOTE: All linear dimensions are in millimeters

RSN (S-PWQFN-N32)

PLASTIC QUAD FLATPACK NO-LEAD



- NOTES:
- A. All linear dimensions are in millimeters.
 - B. This drawing is subject to change without notice.
 - C. Publication IPC-7351 is recommended for alternate designs.
 - D. This package is designed to be soldered to a thermal pad on the board. Refer to Application Note, Quad Flat-Pack Packages, Texas Instruments Literature No. SLUA271, and also the Product Data Sheets for specific thermal information, via requirements, and recommended board layout. These documents are available at www.ti.com <<http://www.ti.com>>.
 - E. Laser cutting apertures with trapezoidal walls and also rounding corners will offer better paste release. Customers should contact their board assembly site for stencil design recommendations. Refer to IPC 7525 for stencil design considerations.
 - F. Customers should contact their board fabrication site for recommended solder mask tolerances and via tenting recommendations for vias placed in the thermal pad.

重要なお知らせと免責事項

TI は、技術データと信頼性データ (データシートを含みます)、設計リソース (リファレンス・デザインを含みます)、アプリケーションや設計に関する各種アドバイス、Web ツール、安全性情報、その他のリソースを、欠陥が存在する可能性のある「現状のまま」提供しており、商品性および特定目的に対する適合性の黙示保証、第三者の知的財産権の非侵害保証を含むいかなる保証も、明示的または黙示的にかかわらず拒否します。

これらのリソースは、TI 製品を使用する設計の経験を積んだ開発者への提供を意図したものです。(1) お客様のアプリケーションに適した TI 製品の選定、(2) お客様のアプリケーションの設計、検証、試験、(3) お客様のアプリケーションが適用される各種規格や、その他のあらゆる安全性、セキュリティ、またはその他の要件を満たしていることを確実にする責任を、お客様のみが単独で負うものとします。上記の各種リソースは、予告なく変更される可能性があります。これらのリソースは、リソースで説明されている TI 製品を使用するアプリケーションの開発の目的でのみ、TI はその使用をお客様に許諾します。これらのリソースに関して、他の目的で複製することや掲載することは禁止されています。TI や第三者の知的財産権のライセンスが付与されている訳ではありません。お客様は、これらのリソースを自身で使用した結果発生するあらゆる申し立て、損害、費用、損失、責任について、TI およびその代理人を完全に補償するものとし、TI は一切の責任を拒否します。

TI の製品は、TI の販売約款 (<https://www.tij.co.jp/ja-jp/legal/terms-of-sale.html>)、または [ti.com](https://www.ti.com) やかかる TI 製品の関連資料などのいずれかを通じて提供する適用可能な条項の下で提供されています。TI がこれらのリソースを提供することは、適用される TI の保証または他の保証の放棄の拡大や変更を意味するものではありません。

日本語版 日本テキサス・インスツルメンツ合同会社
Copyright © 2021, Texas Instruments Incorporated