

ADS4245-EP デュアル・チャンネル、14ビット、125MSPS、超低消費電力の ADC

1 特長

- 1.8V 単一電源で超低消費電力、CMOS 出力
 - 125MSPS で総消費電力 277mW
- 優れたダイナミック特性
 - 170MHz で 88dBc の SFDR
 - 170MHz で 71.4dBFS の SNR
- クロストーク：185MHz で 90dB 超
- SNR/SFDR のトレードオフのためゲインを最大 6dB にプログラム可能
- DC オフセット補正
- 出カインターフェイス・オプション
 - 1.8V の平行 CMOS インターフェイス
 - スイングをプログラム可能なダブル・データ・レート (DDR) LVDS
 - 標準スイング：350mV
 - 低スイング：200mV
- 最低 200mV_{pp} の小さな振幅の入カクロックに対応
- 防衛、航空宇宙、および医療アプリケーションをサポート
 - 管理されたベースライン
 - 単一のアセンブリ/テスト施設
 - 単一の製造施設
 - 軍用温度範囲 (-55°C ~ 125°C) に対応
 - 長期にわたる製品ライフ・サイクル
 - 長期にわたる製品変更通知
 - 製品のトレーサビリティ

2 アプリケーション

- ワイヤレス通信インフラ
- ソフトウェア無線
- パワーアンプ直線化

3 概要

ADS4245 は、ADS42xx 超低消費電力、デュアル・チャンネル、14ビット・アナログ/デジタル・コンバータ (ADC) ファミリの、低速バリエーションです。革新的な設計手法を採用し、高いダイナミック性能を達成するとともに、1.8V 電源で超低消費電力を実現しています。このトポロジにより、ADS4245 はマルチキャリアの広帯域通信アプリケーションに適しています。

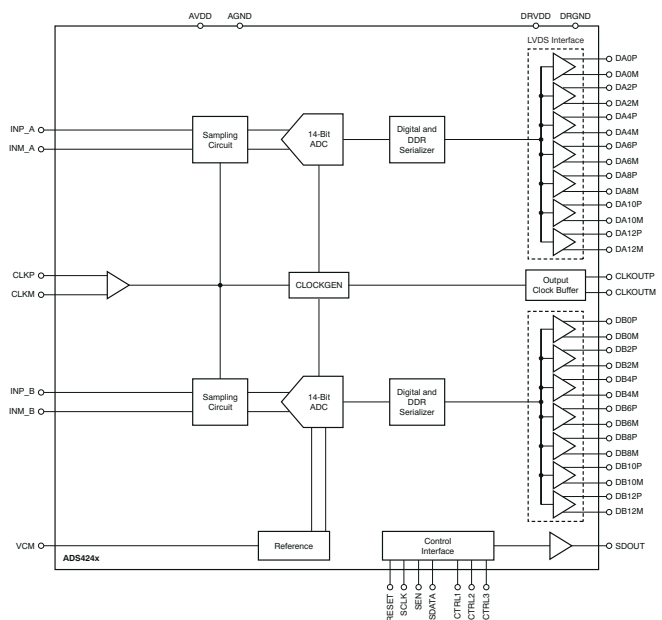
ADS4245 にはゲイン・オプションがあり、より低いフルスケール入力範囲において、SFDR 性能の向上に使用できます。これらのデバイスには DC オフセット補正ループが組み込まれており、ADC オフセットを打ち消すため使用できます。DDR (ダブル・データ・レート) LVDS と平行 CMOS デジタル出カインターフェイスの両方が内蔵され、小型の VQFN-64 PowerPAD™ パッケージで供給されます。

このデバイスには内部基準電圧が搭載されており、従来使用されてきた基準電圧用のピンと、関連するデカップリング・コンデンサは除去されています。ADS4245 は、軍用温度範囲 (-55°C ~ 125°C) で動作が規定されています。

製品情報

発注型番	パッケージ ⁽¹⁾ (1 ページ)	本体サイズ
ADS4245MRGC25EP	VQFN (64)	9mm × 9mm

(1) 利用可能なすべてのパッケージについては、このデータシート末尾にある注文情報を参照してください。



ブロック図



Table of Contents

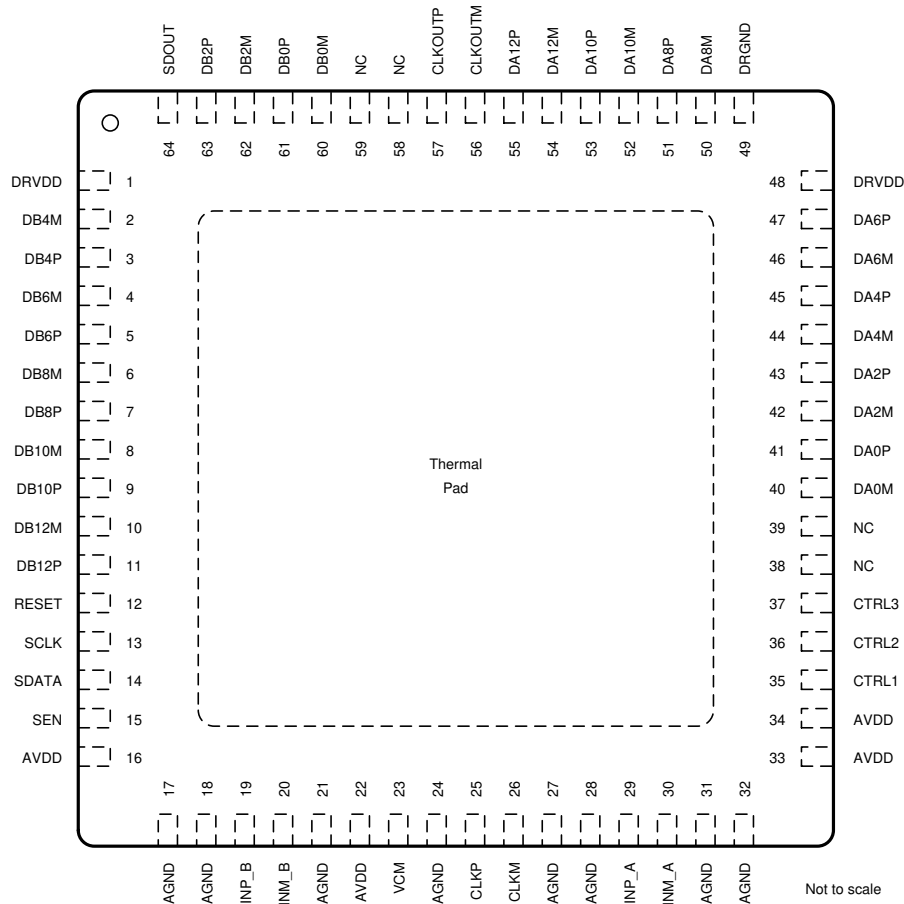
1 特長	1	7.2 Functional Block Diagram.....	23
2 アプリケーション	1	7.3 Feature Description.....	24
3 概要	1	7.4 Device Functional Modes.....	24
4 Revision History	2	7.5 Serial Register Map.....	37
5 Pin Configuration and Functions	3	7.6 Description Of Serial Registers.....	38
6 Specifications	7	8 Application Information Disclaimer	44
6.1 Absolute Maximum Ratings.....	7	8.1 Application Information.....	44
6.2 ESD Ratings.....	7	8.2 Typical Applications.....	45
6.3 Recommended Operating Conditions.....	8	9 Power Supply Recommendations	49
6.4 Thermal Information.....	8	10 Layout	50
6.5 Electrical Characteristics.....	9	10.1 Layout Guidelines.....	50
6.6 Electrical Characteristics: General.....	10	10.2 Layout Example.....	51
6.7 Digital Characteristics.....	11	11 Device and Documentation Support	52
6.8 Timing Characteristics: LVDS And CMOS Modes....	13	11.1 Device Support.....	52
6.9 Typical Characteristics.....	17	11.2 Receiving Notification of Documentation Updates..	54
6.10 Typical Characteristics: General.....	21	11.3 Support Resources.....	54
6.11 Typical Characteristics: Contour.....	22	11.4 Trademarks.....	54
7 Detailed Description	23	11.5 Electrostatic Discharge Caution.....	54
7.1 Overview.....	23	11.6 Glossary.....	54

4 Revision History

Changes from Revision A (September 2018) to Revision B (October 2020)	Page
• Changed Figure 6-4	13

Changes from Revision * (April 2014) to Revision A (September 2018)	Page
• Moved Storage temperature, T_{stg} From the <i>ESD Ratings</i> table to the <i>Absolute Maximum Ratings</i> table.....	7
• Changed <i>Handling Rating</i> To: <i>ESD Ratings</i>	7
• Added a MIN value of 1 MSPS to Low-speed mode enabled in the <i>Recommended Operating Conditions</i>	8

5 Pin Configuration and Functions



- A. The PowerPAD™ is connected to DRGND.
NOTE: NC = do not connect; must float.

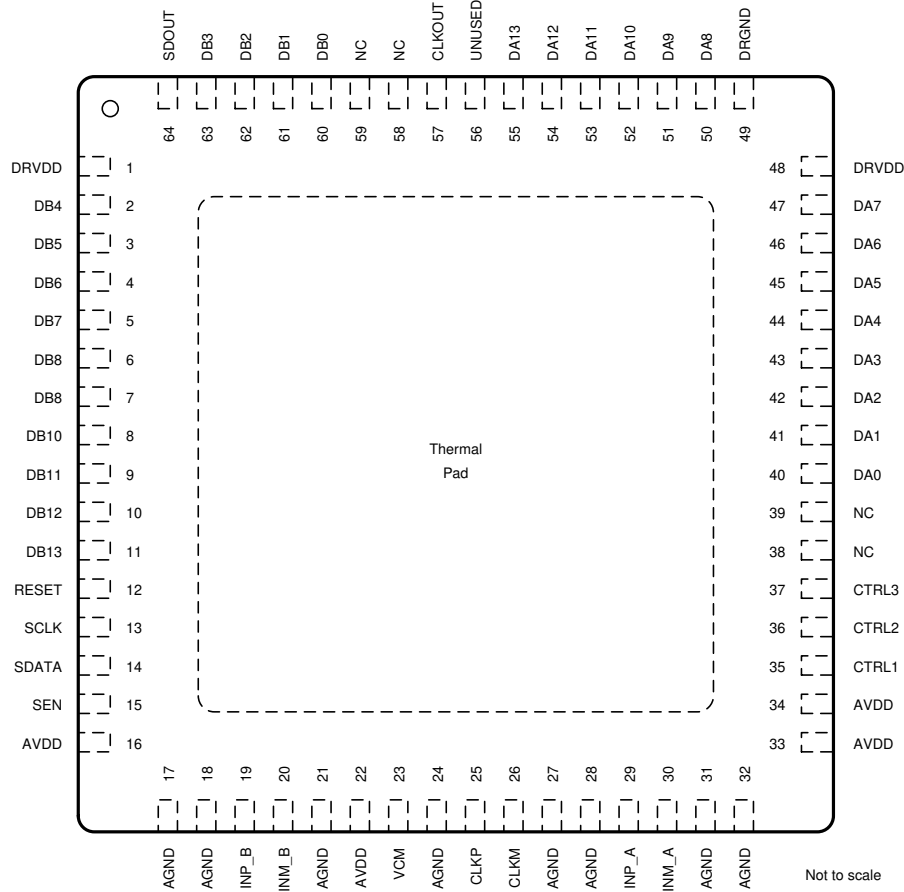
图 5-1. RGC Package (LVDS Mode) ⁽¹⁾, VQFN-64, (Top View)

表 5-1. Pin Functions: LVDS Mode

NO.	NAME	# OF PINS	FUNCTION	DESCRIPTION
1, 48	DRVDD	2	Input	Output buffer supply
12	RESET	1	Input	Serial interface RESET input. When using the serial interface mode, the internal registers must be initialized through a hardware RESET by applying a high pulse on this terminal or by using the software reset option; refer to the Serial Interface Configuration section. In parallel interface mode, the RESET terminal must be permanently tied high. SCLK and SEN are used as parallel control terminals in this mode. This terminal has an internal 150kΩ pull-down resistor.
13	SCLK	1	Input	This terminal functions as a serial interface clock input when RESET is low. It controls the low-speed mode selection when RESET is tied high; see 表 7-6 for detailed information. This terminal has an internal 150kΩ pull-down resistor.
14	SDATA	1	Input	Serial interface data input; this terminal has an internal 150kΩ pull-down resistor.
15	SEN	1	Input	This terminal functions as a serial interface enable input when RESET is low. It controls the output interface and data format selection when RESET is tied high; see 表 7-7 for detailed information. This terminal has an internal 150kΩ pull-up resistor to AVDD.
16, 22, 33, 34	AVDD	4	Input	Analog power supply
17, 18, 21, 24, 27, 28, 31, 32	AGND	8	Input	Analog ground
19	INP_B	1	Input	Differential analog positive input, channel B
20	INM_B	1	Input	Differential analog negative input, channel B

表 5-1. Pin Functions: LVDS Mode (continued)

NO.	NAME	# OF PINS	FUNCTION	DESCRIPTION
23	VCM	1	Output	This terminal outputs the common-mode voltage (0.95V) that can be used externally to bias the analog input terminals
25	CLKP	1	Input	Differential clock positive input
26	CLKM	1	Input	Differential clock negative input
29	INP_A	1	Input	Differential analog positive input, channel A
30	INM_A	1	Input	Differential analog negative input, channel A
35	CTRL1	1	Input	Digital control input terminals. Together, they control the various power-down modes.
36	CTRL2	1	Input	Digital control input terminals. Together, they control the various power-down modes.
37	CTRL3	1	Input	Digital control input terminals. Together, they control the various power-down modes.
49	DRGND	2	Input	Output buffer ground
56	CLKOUTM	1	Output	Differential output clock, complement
57	CLKOUTP	1	Output	Differential output clock, true
64	SDOUT	1	Output	This terminal functions as a serial interface register readout when the READOUT bit is enabled. When READOUT = 0, this terminal is in high-impedance state.
40	DA0M	2	Output	Channel A differential output data pair, D0 and D1 multiplexed
41	DA0P			
42	DA2M	2	Output	Channel A differential output data D2 and D3 multiplexed
43	DA2P			
44	DA4M	2	Output	Channel A differential output data D4 and D5 multiplexed
45	DA4P			
46	DA6M	2	Output	Channel A differential output data D6 and D7 multiplexed
47	DA6P			
50	DA8M	2	Output	Channel A differential output data D8 and D9 multiplexed
51	DA8P			
52	DA10M	2	Output	Channel A differential output data D10 and D11 multiplexed
53	DA10P			
54	DA12M	2	Output	Channel A differential output data D12 and D13 multiplexed
55	DA12P			
60	DB0M	2	Output	Channel B differential output data pair, D0 and D1 multiplexed
61	DB0P			
62	DB2M	2	Output	Channel B differential output data D2 and D3 multiplexed
63	DB2P			
2	DB4M	2	Output	Channel B differential output data D4 and D5 multiplexed
3	DB4P			
4	DB6M	2	Output	Channel B differential output data D6 and D7 multiplexed
5	DB6P			
6	DB8M	2	Output	Channel B differential output data D8 and D9 multiplexed
7	DB8P			
8	DB10M	2	Output	Channel B differential output data D10 and D11 multiplexed
9	DB10P			
10	DB12M	2	Output	Channel B differential output data D12 and D13 multiplexed
11	DB12P			
38, 39, 58, 59	NC	4	—	Do not connect, must be floated



- A. The PowerPAD™ is connected to DRGND.
NOTE: NC = do not connect; must float.

图 5-2. RGC Package (CMOS Mode), (1) VQFN-64, (Top View)

表 5-2. Pin Functions: CMOS Mode

NO.	NAME	# OF PINS	FUNCTION	DESCRIPTION
1, 48	DRVDD	2	Input	Output buffer supply
12	RESET	1	Input	Serial interface RESET input. When using the serial interface mode, the internal registers must be initialized through a hardware RESET by applying a high pulse on this terminal or by using the software reset option; refer to the Serial Interface Configuration section. In parallel interface mode, the RESET terminal must be permanently tied high. SDATA and SEN are used as parallel control terminals in this mode. This terminal has an internal 150kΩ pull-down resistor.
13	SCLK	1	Input	This terminal functions as a serial interface clock input when RESET is low. It controls the low-speed mode when RESET is tied high; see 表 7-6 for detailed information. This terminal has an internal 150kΩ pull-down resistor.
14	SDATA	1	Input	Serial interface data input; this terminal has an internal 150kΩ pull-down resistor.
15	SEN	1	Input	This terminal functions as a serial interface enable input when RESET is low. It controls the output interface and data format selection when RESET is tied high; see 表 7-7 for detailed information. This terminal has an internal 150kΩ pull-up resistor to AVDD.
16, 22, 33, 34	AVDD	4	Input	Analog power supply
17, 18, 21, 24, 27, 28, 31, 32	AGND	8	Input	Analog ground
19	INP_B	1	Input	Differential analog positive input, channel B
20	INM_B	1	Input	Differential analog negative input, channel B
23	VCM	1	Output	This terminal outputs the common-mode voltage (0.95V) that can be used externally to bias the analog input terminals
25	CLKP	1	Input	Differential clock positive input

表 5-2. Pin Functions: CMOS Mode (continued)

NO.	NAME	# OF PINS	FUNCTION	DESCRIPTION
26	CLKM	1	Input	Differential clock negative input
29	INP_A	1	Input	Differential analog positive input, channel A
30	INM_A	1	Input	Differential analog negative input, channel A
35	CTRL1	1	Input	Digital control input terminals. Together, they control various power-down modes.
36	CTRL2	1	Input	Digital control input terminals. Together, they control various power-down modes.
37	CTRL3	1	Input	Digital control input terminals. Together, they control various power-down modes.
49	DRGND	2	Input	Output buffer ground
56	UNUSED	1	—	This terminal is not used in the CMOS interface
57	CLKOUT	1	Output	CMOS output clock
64	SDOUT	1	Output	This terminal functions as a serial interface register readout when the READOUT bit is enabled. When READOUT = 0, this terminal is in high-impedance state.
40	DA0	12	Output	Channel A ADC output data bits, CMOS levels
41	DA1			
42	DA2			
43	DA3			
44	DA4			
45	DA5			
46	DA6			
47	DA7			
50	DA8			
51	DA9			
52	DA10			
53	DA11			
54	DA12	2	Output	Channel A ADC output data bits, CMOS levels
55	DA13			
60	DB0	12	Output	Channel B ADC output data bits, CMOS levels
61	DB1			
62	DB2			
63	DB3			
2	DB4			
3	DB5			
4	DB6			
5	DB7			
6	DB8			
7	DB8			
8	DB10			
9	DB11			
10	DB12	2	Output	Channel B ADC output data bits, CMOS levels
11	DB13			
38, 39, 58, 59	NC	1	—	Do not connect, must be floated

6 Specifications

6.1 Absolute Maximum Ratings

over operating free-air temperature range (unless otherwise noted)⁽¹⁾

		MIN	MAX	UNIT
Supply voltage, AVDD		-0.3	2.1	V
Supply voltage, DRVDD		-0.3	2.1	V
Voltage between AGND and DRGND		-0.3	0.3	V
Voltage between AVDD to DRVDD (when AVDD leads DRVDD)		-2.4	2.4	V
Voltage between DRVDD to AVDD (when DRVDD leads AVDD)		-2.4	2.4	V
Voltage applied to input terminals	INP_A, INM_A, INP_B, INM_B	-0.3	Minimum (1.9, AVDD + 0.3)	V
	CLKP, CLKM ⁽²⁾	-0.3	AVDD + 0.3	V
	RESET, SCLK, SDATA, SEN, CTRL1, CTRL2, CTRL3	-0.3	3.9	V
Junction temperature, T _J		-55	+150	°C
Storage temperature, T _{stg}		-65	+150	°C

- (1) Stresses above these ratings may cause permanent damage. Exposure to absolute maximum conditions for extended periods may degrade device reliability. These are stress ratings only, and functional operation of the device at these or any other conditions beyond those specified is not implied.
- (2) When AVDD is turned off, it is recommended to switch off the input clock (or ensure the voltage on CLKP, CLKM is less than |0.3V|). This configuration prevents the ESD protection diodes at the clock input terminals from turning on.

6.2 ESD Ratings

		VALUE	UNIT
V _{ESD} ⁽¹⁾	Human body model (HBM) ⁽²⁾	±2000	V

- (1) Electrostatic discharge (ESD) to measure device sensitivity and immunity to damage caused by assembly line electrostatic discharges in to the device.
- (2) Level listed above is the passing level per ANSI, ESDA, and JEDEC JS-001. JEDEC document JEP155 states that 500-V HBM allows safe manufacturing with a standard ESD control process.

6.3 Recommended Operating Conditions

Over operating free-air temperature range, unless otherwise noted.

PARAMETER	MIN	NOM	MAX	UNIT
SUPPLIES				
Analog supply voltage, AVDD	1.7	1.8	1.9	V
Digital supply voltage, DRVDD	1.7	1.8	1.9	V
ANALOG INPUTS				
Differential input voltage	2			V _{PP}
Input common-mode voltage	VCM ±0.05			V
Maximum analog input frequency with 2V _{PP} input amplitude ⁽¹⁾	400			MHz
Maximum analog input frequency with 1V _{PP} input amplitude ⁽¹⁾	600			MHz
CLOCK INPUT				
Input clock sample rate				
Low-speed mode enabled ⁽²⁾	1	80		MSPS
Low-speed mode disabled ⁽²⁾ (by default after reset)	80	125		MSPS
Input clock duty cycle				
Low-speed mode disabled ⁽³⁾	35%	50%	65%	
Low-speed mode enabled ⁽³⁾	40%	50%	60%	
DIGITAL OUTPUTS				
Maximum external load capacitance from each output terminal to DRGND, C _{LOAD}	5			pF
Differential load resistance between the LVDS output pairs (LVDS mode), R _{LOAD}	100			Ω
Operating junction temperature, T _J	-55	+125		°C

- (1) See the [Theory of Operation](#) section in the Application Information.
- (2) See the [Serial Interface Configuration](#) section for details on programming the low-speed mode.
- (3) Ensured by design for temperature range -40°C to 85°C.

6.4 Thermal Information

THERMAL METRIC ⁽¹⁾		ADS4245-EP	UNIT
		RGC	
		64 TERMINAL	
R _{θ JA}	Junction-to-ambient thermal resistance	23.9	°C/W
R _{θ JCltop}	Junction-to-case (top) thermal resistance	10.9	
R _{θ JB}	Junction-to-board thermal resistance	4.3	
Ψ _{JT}	Junction-to-top characterization parameter	0.1	
Ψ _{JB}	Junction-to-board characterization parameter	4.4	
R _{θ JCbott}	Junction-to-case (bottom) thermal resistance	0.6	

- (1) For more information about traditional and new thermal metrics, see the [Semiconductor and IC package thermal metrics](#) application report.

表 6-1. High-Performance Modes

PARAMETER ^{(1) (2)}	DESCRIPTION
High-performance mode	Set the HIGH PERF MODE register bit to obtain best performance across sample clock and input signal frequencies. Register address = 03h, data = 03h
High-frequency mode	Set the HIGH FREQ MODE CH A and HIGH FREQ MODE CH B register bits for high input signal frequencies greater than 200MHz. Register address = 4Ah, data = 01h Register address = 58h, data = 01h

- (1) It is recommended to use these modes to obtain best performance.
- (2) See the [Serial Interface Configuration](#) section for details on register programming.

6.5 Electrical Characteristics:

Typical values are at +25°C, AVDD = 1.8V, DRVDD = 1.8V, 50% clock duty cycle, –1dBFS differential analog input, LVDS interface, and 0dB gain (unless otherwise noted). Minimum and maximum values are across the recommended operating condition (unless otherwise noted), AVDD = 1.8V, and DRVDD = 1.8V.

PARAMETER	TEST CONDITIONS	MIN	TYP	MAX	UNIT
Resolution				14	Bits
Signal-to-noise ratio	SNR	$f_{IN} = 20\text{MHz}$		73.4	dBFS
		$f_{IN} = 70\text{MHz}$	68	72.9	dBFS
		$f_{IN} = 100\text{MHz}$		72.6	dBFS
		$f_{IN} = 170\text{MHz}$		71.4	dBFS
		$f_{IN} = 300\text{MHz}$		69.3	dBFS
Signal-to-noise and distortion ratio	SINAD	$f_{IN} = 20\text{MHz}$		73.2	dBFS
		$f_{IN} = 70\text{MHz}$	68	72.6	dBFS
		$f_{IN} = 100\text{MHz}$		72.3	dBFS
		$f_{IN} = 170\text{MHz}$		71.2	dBFS
		$f_{IN} = 300\text{MHz}$		68.5	dBFS
Spurious-free dynamic range	SFDR	$f_{IN} = 20\text{MHz}$		88	dBc
		$f_{IN} = 70\text{MHz}$	71	86	dBc
		$f_{IN} = 100\text{MHz}$		85	dBc
		$f_{IN} = 170\text{MHz}$		88	dBc
		$f_{IN} = 300\text{MHz}$		78	dBc
Total harmonic distortion	THD	$f_{IN} = 20\text{MHz}$		86	dBc
		$f_{IN} = 70\text{MHz}$	68	84	dBc
		$f_{IN} = 100\text{MHz}$		83	dBc
		$f_{IN} = 170\text{MHz}$		84	dBc
		$f_{IN} = 300\text{MHz}$		75	dBc
Second-harmonic distortion	HD2	$f_{IN} = 20\text{MHz}$		88	dBc
		$f_{IN} = 70\text{MHz}$	66.5	86	dBc
		$f_{IN} = 100\text{MHz}$		85	dBc
		$f_{IN} = 170\text{MHz}$		88	dBc
		$f_{IN} = 300\text{MHz}$		78	dBc
Third-harmonic distortion	HD3	$f_{IN} = 20\text{MHz}$		93	dBc
		$f_{IN} = 70\text{MHz}$	72.5	89	dBc
		$f_{IN} = 100\text{MHz}$		89	dBc
		$f_{IN} = 170\text{MHz}$		90	dBc
		$f_{IN} = 300\text{MHz}$		81	dBc
Worst spur (other than second and third harmonics)		$f_{IN} = 20\text{MHz}$		95	dBc
		$f_{IN} = 70\text{MHz}$	73	94	dBc
		$f_{IN} = 100\text{MHz}$		93	dBc
		$f_{IN} = 170\text{MHz}$		91	dBc
		$f_{IN} = 300\text{MHz}$		89	dBc
Two-tone intermodulation distortion	IMD	$f_1 = 46\text{MHz}, f_2 = 50\text{MHz}$, each tone at –7dBFS		96	dBFS
		$f_1 = 185\text{MHz}, f_2 = 190\text{MHz}$, each tone at –7dBFS		92	dBFS
Crosstalk	20-MHz full-scale signal on channel under observation; 170-MHz full-scale signal on other channel		95		dB
Input overload recovery	Recovery to within 1% (of full-scale) for 6dB overload with sine-wave input		1		Clock cycle
AC power-supply rejection ratio	PSRR For 100mV _{PP} signal on AVDD supply, up to 10MHz		> 30		dB
Effective number of bits	ENOB $f_{IN} = 70\text{MHz}$		11.5		LSBs
Differential nonlinearity	DNL $f_{IN} = 70\text{MHz}$	–0.97	±0.5	1.9	LSBs
Integrated nonlinearity	INL $f_{IN} = 70\text{MHz}$		±2	±5	LSBs

6.6 Electrical Characteristics: General

Typical values are at +25°C, AVDD = 1.8V, DRVDD = 1.8V, 50% clock duty cycle, and –1dBFS differential analog input (unless otherwise noted). Minimum and maximum values are across the recommended operating condition (unless otherwise noted), AVDD = 1.8V, and DRVDD = 1.8V.

PARAMETER		MIN	TYP	MAX	UNIT
ANALOG INPUTS					
Differential input voltage range (0dB gain)			2		V _{PP}
Differential input resistance (at 200MHz)			0.75		kΩ
Differential input capacitance (at 200MHz)			3.7		pF
Analog input bandwidth (with 50Ω source impedance, and 50Ω termination)			550		MHz
Analog input common-mode current (per input terminal of each channel)			1.5		μA/MSPS
Common-mode output voltage	VCM		0.95		V
VCM output current capability			4		mA
DC ACCURACY					
Offset error		–25	2.5	25	mV
Temperature coefficient of offset error			0.003		mV/°C
Gain error as a result of internal reference inaccuracy alone	E _{GREF}	–4		4	%FS
Gain error of channel alone	E _{GCHAN}		±0.1		%FS
Temperature coefficient of E _{GCHAN}			0.002		Δ%/°C
POWER SUPPLY					
IAVDD Analog supply current			105	130	mA
IDRVDD Output buffer supply current LVDS interface, 350mV swing with 100Ω external termination, f _{IN} = 2.5MHz			99	120	mA
IDRVDD Output buffer supply current CMOS interface, no load capacitance ⁽¹⁾ f _{IN} = 2.5MHz			49		mA
Analog power			189		mW
Digital power LVDS interface, 350mV swing with 100Ω external termination, f _{IN} = 2.5MHz			179		mW
Digital power CMOS interface, no load capacitance ⁽¹⁾ f _{IN} = 2.5MHz			88		mW
Global power-down				25	mW

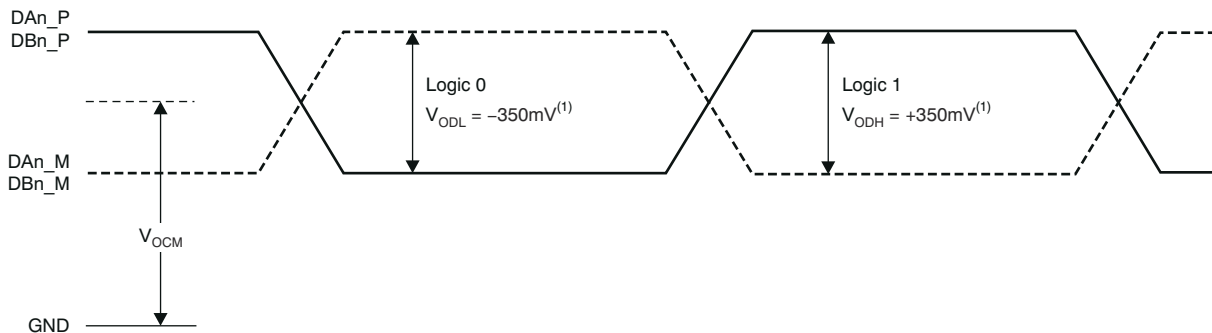
- (1) In CMOS mode, the DRVDD current scales with the sampling frequency, the load capacitance on output terminals, input frequency, and the supply voltage (see the [CMOS Interface Power Dissipation](#) section in the [Application Information](#)).

6.7 Digital Characteristics

At AVDD = 1.8V and DRVDD = 1.8V (unless otherwise noted). DC specifications refer to the condition where the digital outputs do not switch, but are permanently at a valid logic level '0' or '1'.

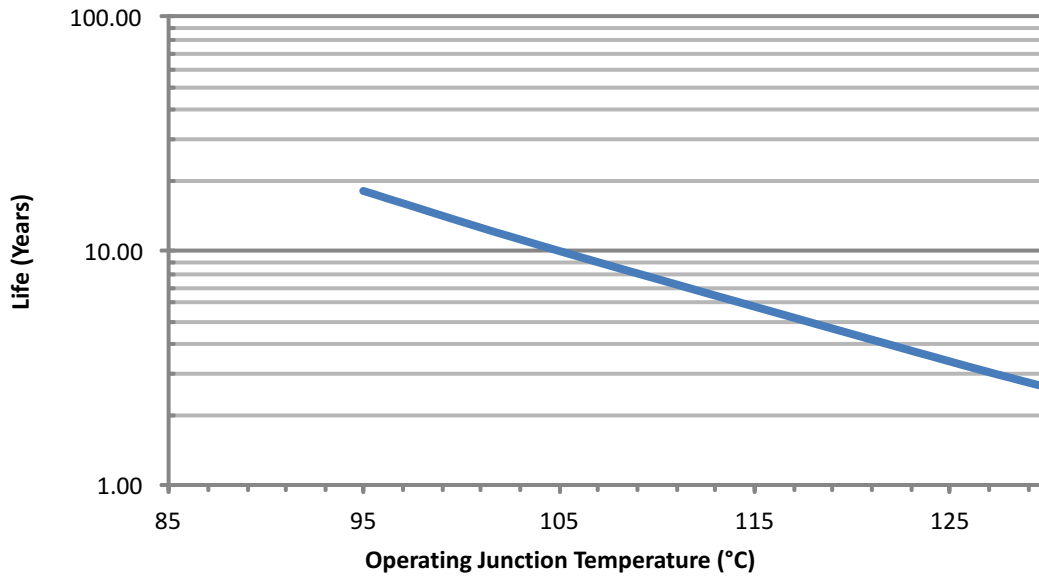
PARAMETER		TEST CONDITIONS	MIN	TYP	MAX	UNIT
DIGITAL INPUTS (RESET, SCLK, SDATA, SEN, CTRL1, CTRL2, CTRL3)⁽¹⁾						
High-level input voltage		All digital inputs support 1.8V and 3.3V CMOS logic levels	1.3			V
Low-level input voltage					0.4	V
High-level input current	SDATA, SCLK ⁽²⁾	V _{HIGH} = 1.8V		10		μA
	SEN ⁽³⁾	V _{HIGH} = 1.8V		0		μA
Low-level input current	SDATA, SCLK	V _{LOW} = 0V		0		μA
	SEN	V _{LOW} = 0V		10		μA
DIGITAL OUTPUTS, CMOS INTERFACE (DA[13:0], DB[13:0], CLKOUT, SDOUT)						
High-level output voltage			DRVDD – 0.1	DRVDD		V
Low-level output voltage				0	0.1	V
Output capacitance (internal to device)						pF
DIGITAL OUTPUTS, LVDS INTERFACE						
High-level output differential voltage	V _{ODH}	With an external 100Ω termination	220	350	490	mV
Low-level output differential voltage	V _{ODL}	With an external 100Ω termination	–490	–350	–220	mV
Output common-mode voltage	V _{OCM}		0.9	1.05	1.25	V

- (1) SCLK, SDATA, and SEN function as digital input terminals in serial configuration mode.
- (2) SDATA, SCLK have internal 150kΩ pull-down resistor.
- (3) SEN has an internal 150kΩ pull-up resistor to AVDD. Because the pull-up is weak, SEN can also be driven by 1.8V or 3.3V CMOS buffers.



A. With external 100Ω termination.

图 6-1. LVDS Output Voltage Levels



- A. See datasheet for absolute maximum and minimum recommended operating conditions.
- B. Silicon operating life design goal is 10 years at 105°C junction temperature (does not include package interconnect life).
- C. Enhanced plastic product disclaimer applies.

Figure 6-2. ADS4245-EP Electromigration Fail Mode Chart

6.8 Timing Characteristics: LVDS And CMOS Modes

Typical values are at +25°C, AVDD = 1.8 V, DRVDD = 1.8V, sampling frequency = 160MSPS, sine wave input clock, 1.5V_{PP} clock amplitude, C_{LOAD} = 5pF⁽²⁾, and R_{LOAD} = 100Ω⁽³⁾, unless otherwise noted. Minimum and maximum values are across the full temperature range: T_{MIN} = –55°C to T_{MAX} = +125°C, AVDD = 1.8V, and DRVDD = 1.7V to 1.9V.

PARAMETER ⁽¹⁾	DESCRIPTION	MIN	TYP	MAX	UNIT		
t _A	Aperture delay		0.8		ns		
	Aperture delay matching	Between the two channels of the same device		±70	ps		
	Variation of aperture delay	Between two devices at the same temperature and DRVDD supply		±150	ps		
t _J	Aperture jitter		140		f _S rms		
	Wakeup time	Time to valid data after coming out of STANDBY mode		50	100	μs	
		Time to valid data after coming out of GLOBAL power-down mode		100	500	μs	
ADC latency ⁽⁷⁾	Default latency after reset		16		Clock cycles		
	Digital functions enabled (EN DIGITAL = 1)		24		Clock cycles		
DDR LVDS MODE⁽⁴⁾							
t _{SU}	Data setup time	Data valid ⁽⁵⁾ to zero-crossing of CLKOUTP		1.5	2.0	ns	
t _H	Data hold time	Zero-crossing of CLKOUTP to data becoming invalid ⁽⁵⁾		0.35	0.6	ns	
t _{PDI}	Clock propagation delay	Input clock rising edge cross-over to output clock rising edge cross-over		5.0	6.1	7.5	ns
	LVDS bit clock duty cycle	Duty cycle of differential clock, (CLKOUTP-CLKOUTM)		49		%	
t _{RISE} , t _{FALL}	Data rise time, Data fall time	Rise time measured from –100mV to +100mV Fall time measured from +100mV to –100mV 1MSPS ≤ Sampling frequency ≤ 160MSPS		0.13		ns	
t _{CLKRISE} , t _{CLKFALL}	Output clock rise time, Output clock fall time	Rise time measured from –100mV to +100mV Fall time measured from +100mV to –100mV 1MSPS ≤ Sampling frequency ≤ 160MSPS		0.13		ns	
PARALLEL CMOS MODE							
t _{SU}	Data setup time	Data valid ⁽⁶⁾ to zero-crossing of CLKOUT		1.6	2.5	ns	
t _H	Data hold time	Zero-crossing of CLKOUT to data becoming invalid ⁽⁶⁾		2.3	2.7	ns	
t _{PDI}	Clock propagation delay	Input clock rising edge cross-over to output clock rising edge cross-over		4.5	6.4	8.5	ns
	Output clock duty cycle	Duty cycle of output clock, CLKOUT 1MSPS ≤ Sampling frequency ≤ 160MSPS		46		%	
t _{RISE} , t _{FALL}	Data rise time, Data fall time	Rise time measured from 20% to 80% of DRVDD Fall time measured from 80% to 20% of DRVDD 1MSPS ≤ Sampling frequency ≤ 160MSPS		1		ns	
t _{CLKRISE} , t _{CLKFALL}	Output clock rise time Output clock fall time	Rise time measured from 20% to 80% of DRVDD Fall time measured from 80% to 20% of DRVDD 1MSPS ≤ Sampling frequency ≤ 160MSPS		1		ns	

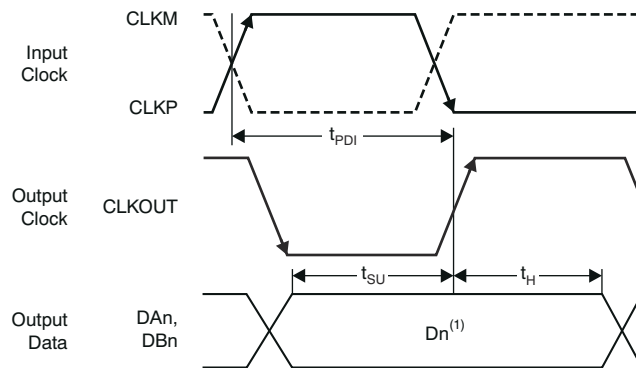
- (1) Timing parameters are ensured by design and characterization and not tested in production.
- (2) C_{LOAD} is the effective external single-ended load capacitance between each output terminal and ground
- (3) R_{LOAD} is the differential load resistance between the LVDS output pair.
- (4) Measurements are done with a transmission line of 100 Ω characteristic impedance between the device and the load. Setup and hold time specifications take into account the effect of jitter on the output data and clock.
- (5) Data valid refers to a logic high of +100 mV and a logic low of –100 mV.
- (6) Data valid refers to a logic high of 1.26 V and a logic low of 0.54 V
- (7) At higher frequencies, t_{PDI} is greater than one clock period and overall latency = ADC latency + 1.

表 6-2. LVDS Timings At Lower Sampling Frequencies

SAMPLING FREQUENCY (MSPS)	SETUP TIME (ns)			HOLD TIME (ns)			t_{PDI} , CLOCK PROPAGATION DELAY (ns)		
	MIN	TYP	MAX	MIN	TYP	MAX	MIN	TYP	MAX
65	5.9	6.6		0.35	0.6		5.0	6.1	7.5
80	4.5	5.2		0.35	0.6		5.0	6.1	7.5
125	2.3	2.9		0.35	0.6		5.0	6.1	7.5

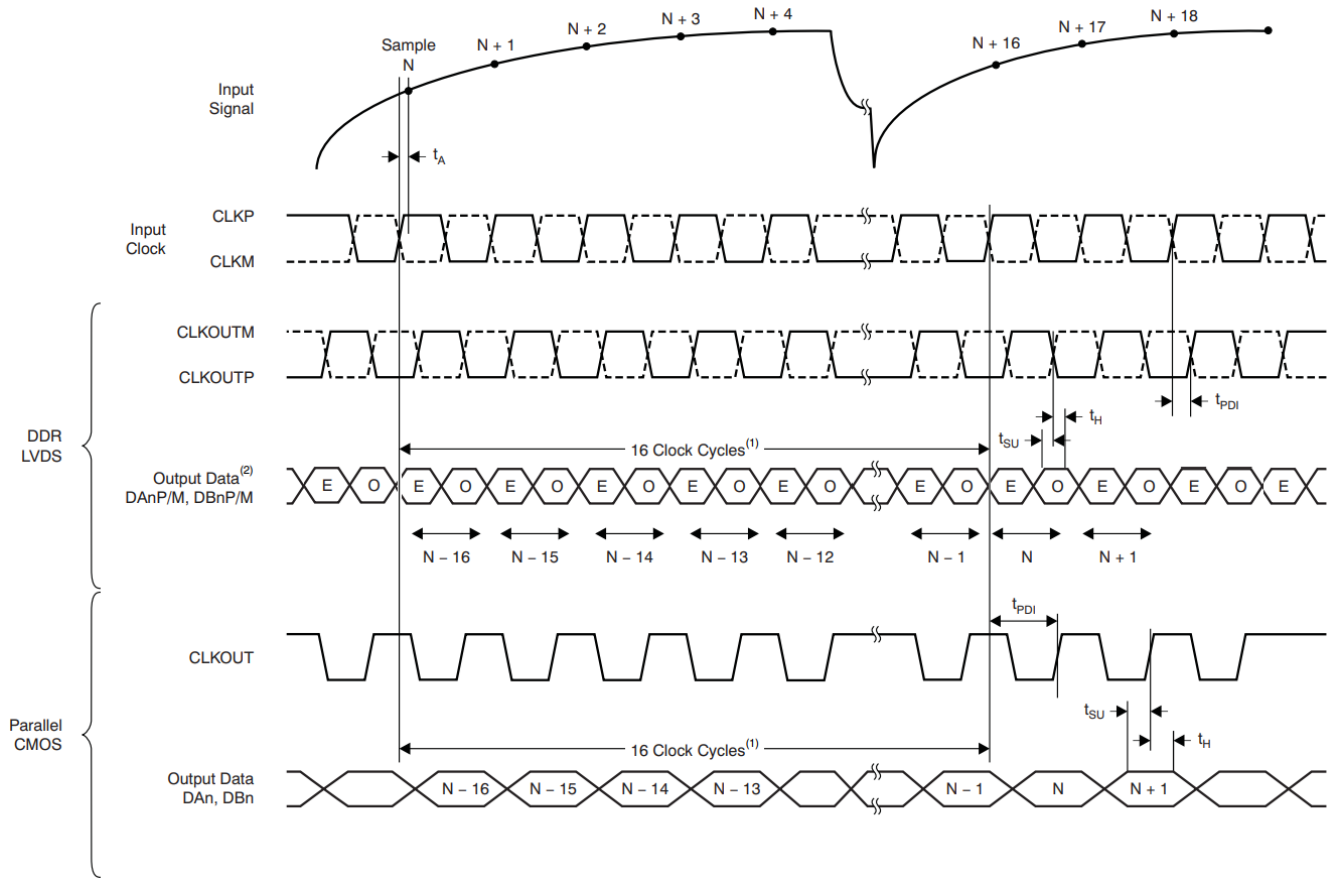
表 6-3. CMOS Timings At Lower Sampling Frequencies

SAMPLING FREQUENCY (MSPS)	TIMINGS SPECIFIED WITH RESPECT TO CLKOUT								
	SETUP TIME (ns)			HOLD TIME (ns)			t_{PDI} , CLOCK PROPAGATION DELAY (ns)		
	MIN	TYP	MAX	MIN	TYP	MAX	MIN	TYP	MAX
65	6.1	7.2		6.7	7.1		4.5	6.4	8.5
80	4.7	5.8		5.3	5.8		4.5	6.4	8.5
125	2.7	3.6		3.1	3.6		4.5	6.4	8.5



A. D_n = bits D0, D1, D2, etc. of channels A and B.

图 6-3. CMOS Interface Timing Diagram



- A. ADC latency after reset. At higher sampling frequencies, t_{PDI} is greater than one clock cycle, which then makes the overall latency = ADC latency + 1.
- B. E = even bits (D0, D2, D4, etc.); O = odd bits (D1, D3, D5, etc.).

6-4. Latency Timing Diagram

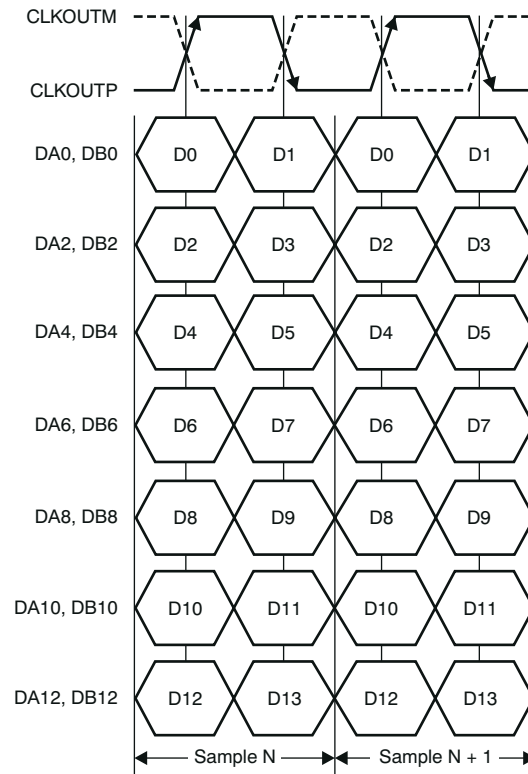
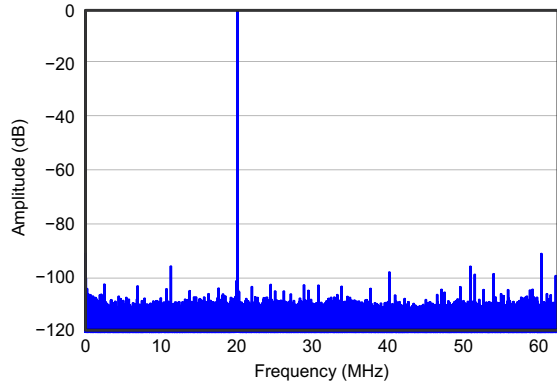


图 6-5. ADS4245 LVDS Interface Timing Diagram

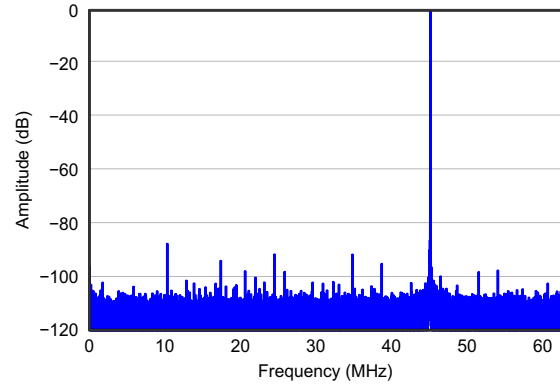
6.9 Typical Characteristics:

At $T_A = +25^\circ\text{C}$, $AVDD = 1.8\text{V}$, $DRVDD = 1.8\text{V}$, maximum rated sampling frequency, sine wave input clock, 1.5V_{PP} differential clock amplitude, 50% clock duty cycle, -1dBFS differential analog input, High-Performance Mode disabled, 0dB gain, DDR LVDS output interface, and 32k point FFT, unless otherwise noted.



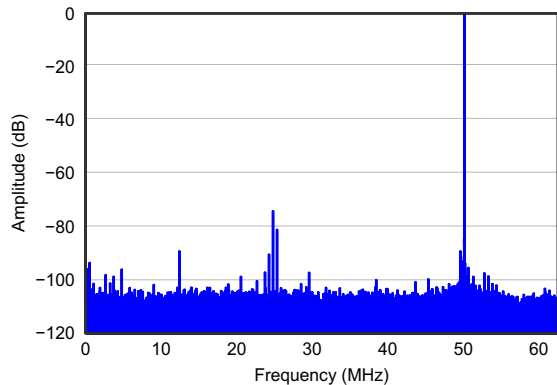
SFDR = 89.7dBc SINAD = 73dBFS SNR = 73.1dBFS
THD = 88.4dB

图 6-6. FFT For 20MHz Input Signal



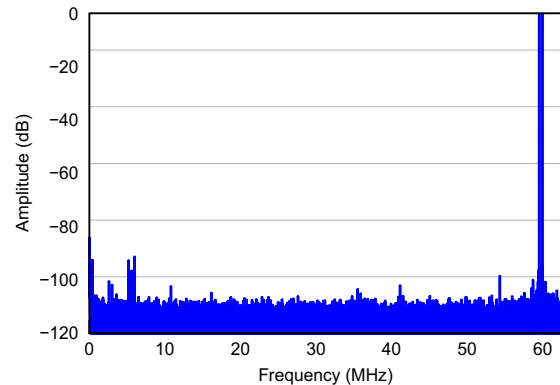
SFDR = 86.7dBc SINAD = 71.2dBFS SNR = 71.4dBFS
THD = 83.8dB

图 6-7. FFT For 170MHz Input Signal



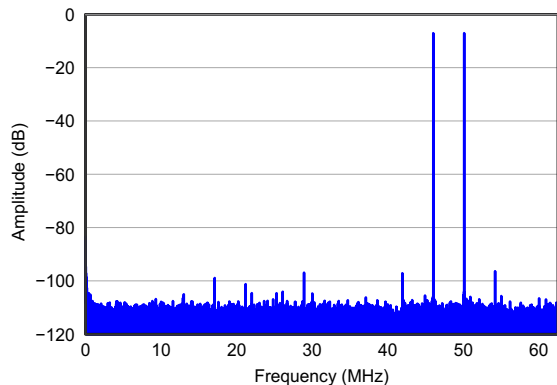
SFDR = 73.4dBc SINAD = 67.7dBFS SNR = 69.2dBFS
THD = 72.3dB

图 6-8. FFT For 300MHz Input Signal



Each Tone at -7dBFS Amplitude $f_{IN1} = 185\text{MHz}$
Two-Tone IMD = 94dBFS SFDR = 92.8dBFS $f_{IN2} = 190\text{MHz}$

图 6-9. FFT For Two-Tone Input Signal



Each Tone at -7dBFS Amplitude $f_{IN1} = 46\text{MHz}$
Two-Tone IMD = 96.9dBFS SFDR = 105.3dBFS $f_{IN2} = 50\text{MHz}$

图 6-10. FFT For Two-Tone Input Signal

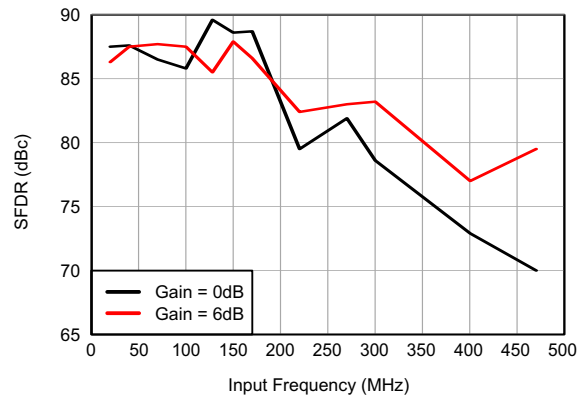


图 6-11. SFDR vs Input Frequency

6.9 Typical Characteristics: (continued)

At $T_A = +25^\circ\text{C}$, $AVDD = 1.8\text{V}$, $DRVDD = 1.8\text{V}$, maximum rated sampling frequency, sine wave input clock, 1.5V_{PP} differential clock amplitude, 50% clock duty cycle, -1dBFS differential analog input, High-Performance Mode disabled, 0dB gain, DDR LVDS output interface, and 32k point FFT, unless otherwise noted.

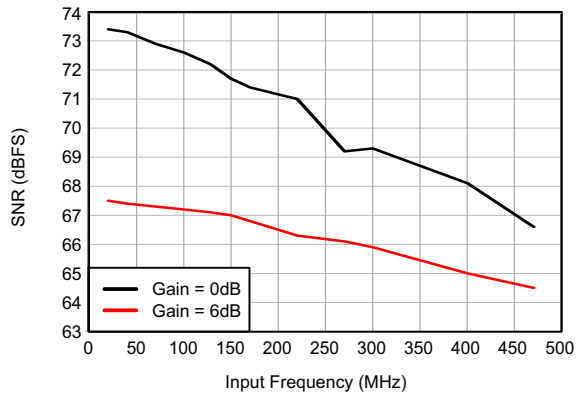


Figure 6-12. SNR vs Input Frequency

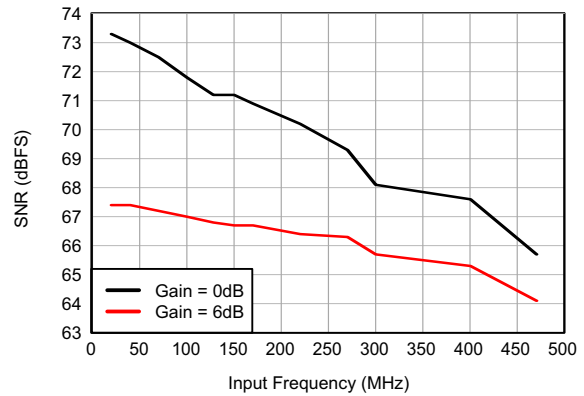


Figure 6-13. SNR vs Input Frequency (CMOS)

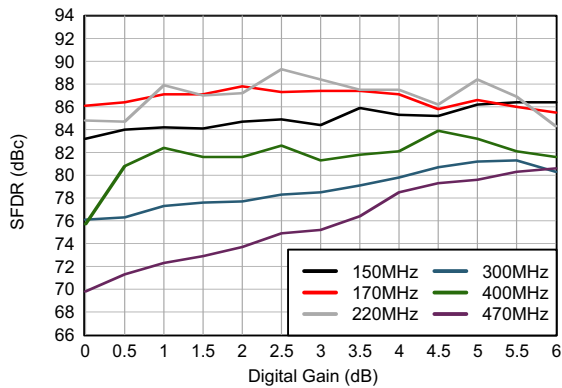


Figure 6-14. SFDR vs Gain And Input Frequency

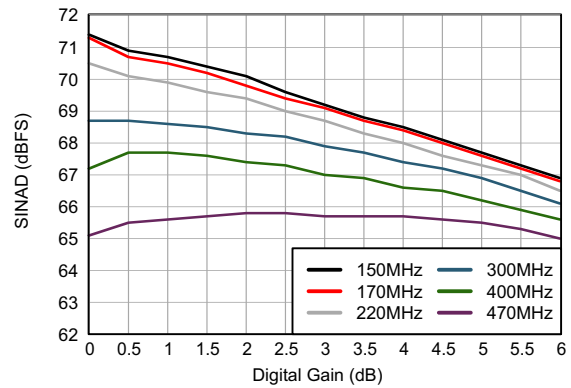


Figure 6-15. SINAD vs Gain And Input Frequency

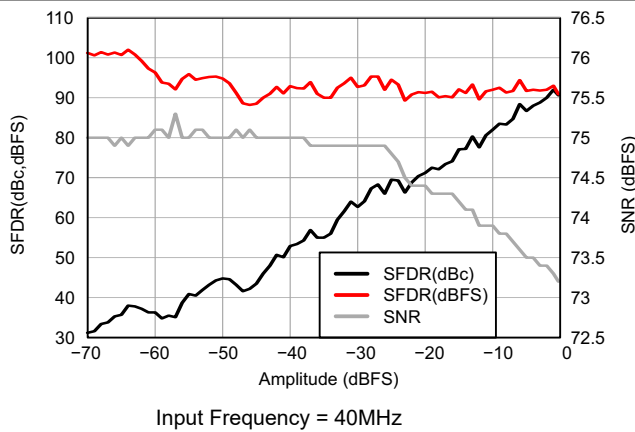


Figure 6-16. Performance vs Input Amplitude

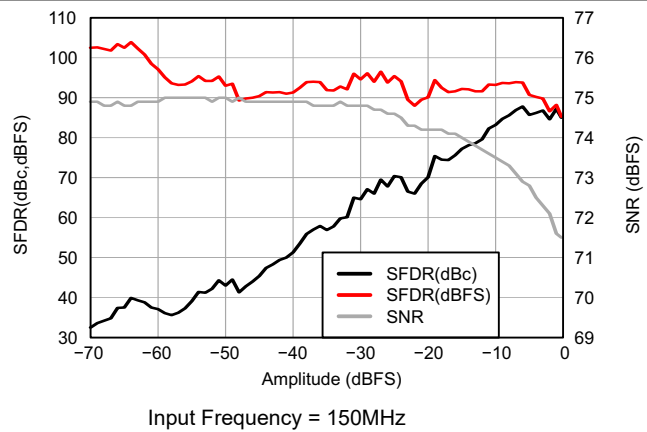


Figure 6-17. Performance vs Input Amplitude

6.9 Typical Characteristics: (continued)

At $T_A = +25^\circ\text{C}$, $AVDD = 1.8\text{V}$, $DRVDD = 1.8\text{V}$, maximum rated sampling frequency, sine wave input clock, 1.5V_{PP} differential clock amplitude, 50% clock duty cycle, -1dBFS differential analog input, High-Performance Mode disabled, 0dB gain, DDR LVDS output interface, and 32k point FFT, unless otherwise noted.

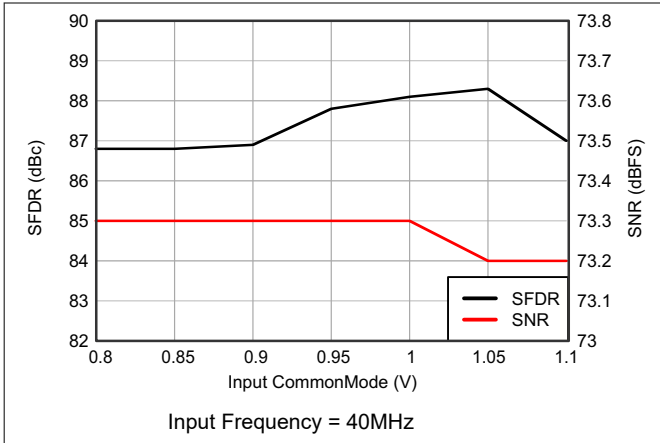


Figure 6-18. Performance vs Input Common-Mode Voltage

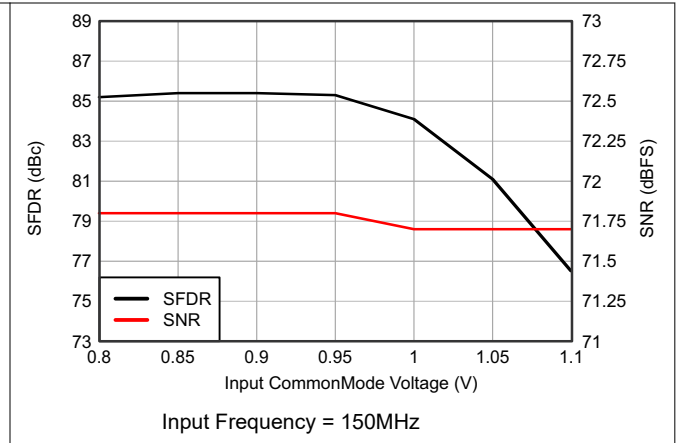


Figure 6-19. Performance vs Input Common-Mode Voltage

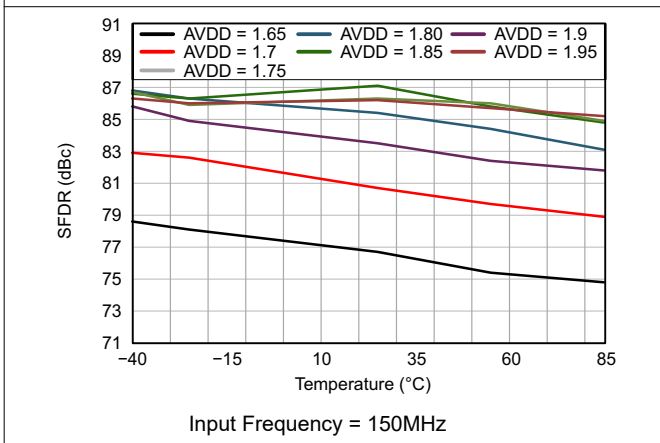


Figure 6-20. SFDR vs Temperature And AVDD Supply

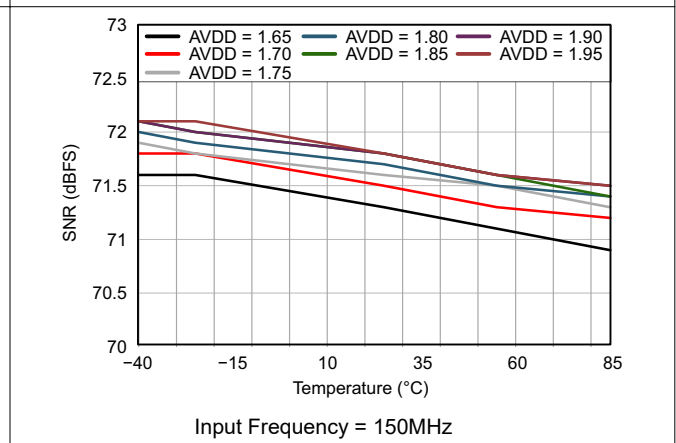


Figure 6-21. SNR vs Temperature And AVDD Supply

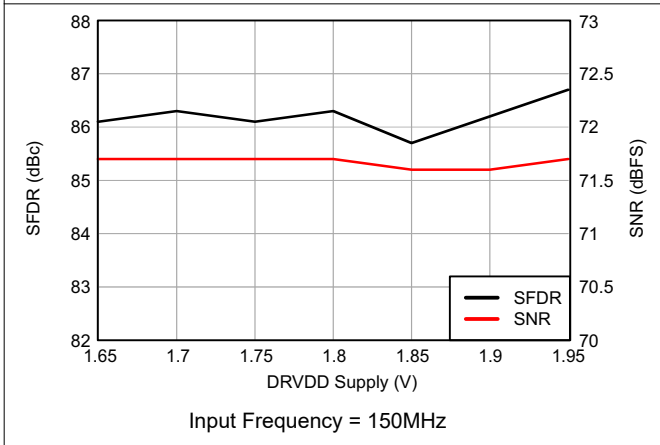


Figure 6-22. Performance vs DRVDD Supply Voltage

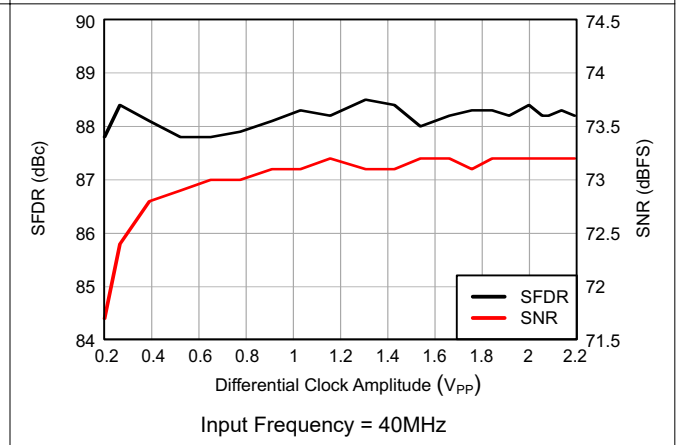


Figure 6-23. Performance vs Input Clock Amplitude

6.9 Typical Characteristics: (continued)

At $T_A = +25^\circ\text{C}$, $AVDD = 1.8\text{V}$, $DRVDD = 1.8\text{V}$, maximum rated sampling frequency, sine wave input clock, $1.5V_{PP}$ differential clock amplitude, 50% clock duty cycle, -1dBFS differential analog input, High-Performance Mode disabled, 0dB gain, DDR LVDS output interface, and 32k point FFT, unless otherwise noted.

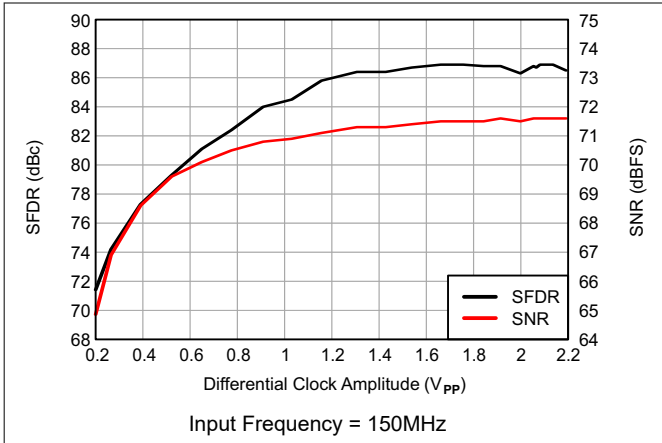


Figure 6-24. Performance vs Input Clock Amplitude

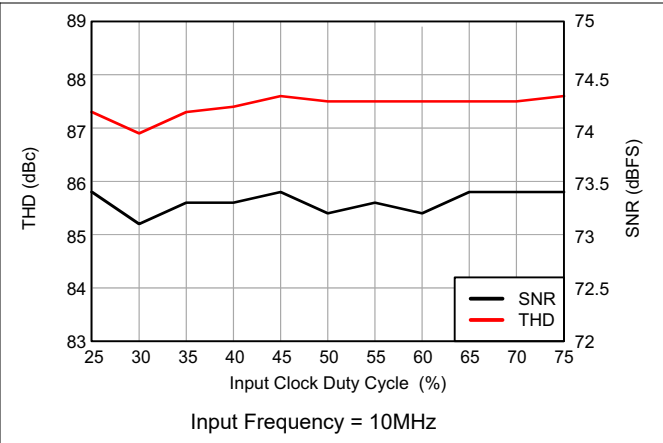


Figure 6-25. Performance vs Input Clock Duty Cycle

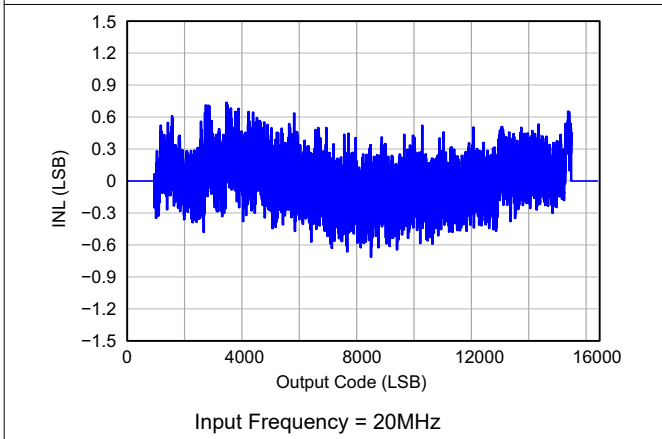


Figure 6-26. Integrated Nonlinearity

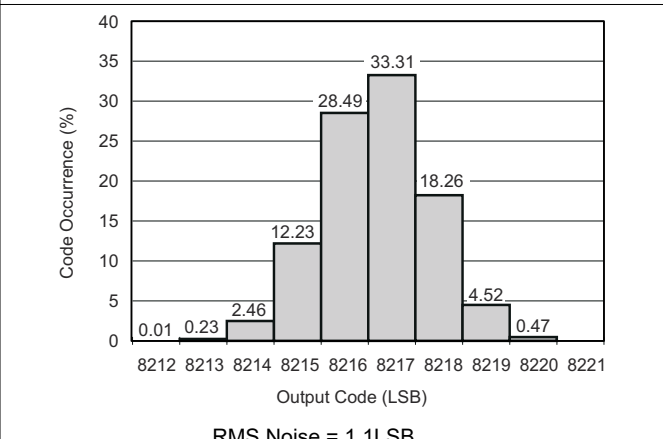
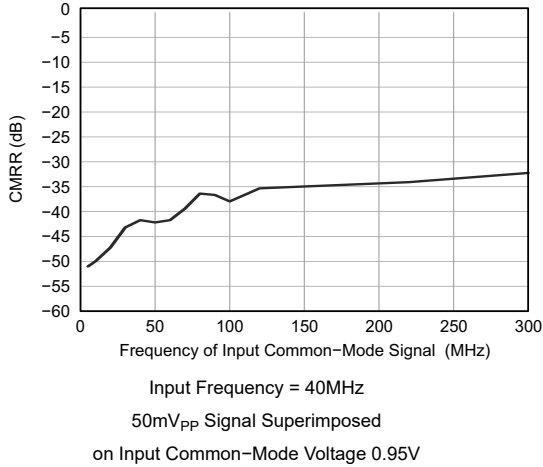


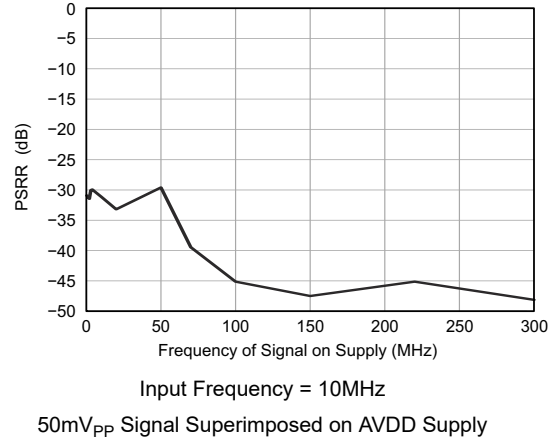
Figure 6-27. Output Noise Histogram (With Inputs Shorted To VCM)

6.10 Typical Characteristics: General

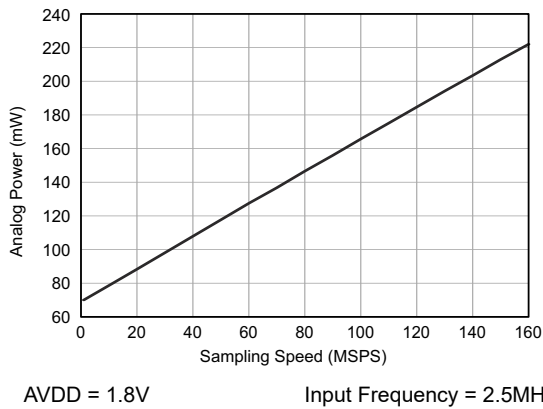
At $T_A = +25^\circ\text{C}$, $AVDD = 1.8\text{V}$, $DRVDD = 1.8\text{V}$, maximum rated sampling frequency, sine wave input clock, 1.5V_{PP} differential clock amplitude, 50% clock duty cycle, -1dBFS differential analog input, High-Performance Mode disabled, 0dB gain, DDR LVDS output interface, and 32k point FFT, unless otherwise noted.



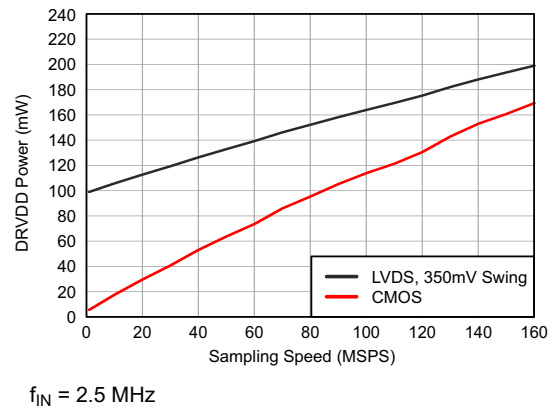
6-28. CMRR vs Test Signal Frequency



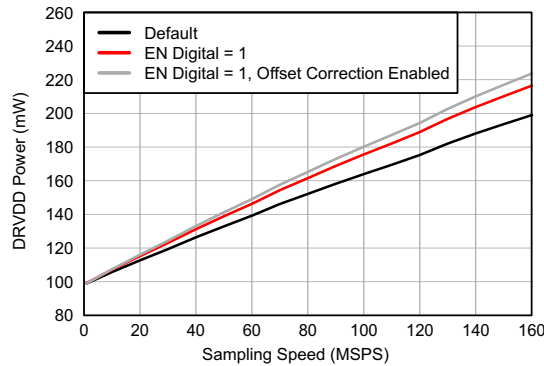
6-29. PSRR vs Test Signal Frequency



6-30. Analog Power vs Sampling Frequency



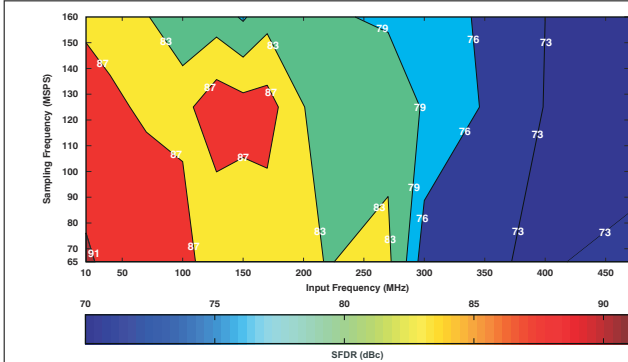
6-31. Digital Power LVDS CMOS



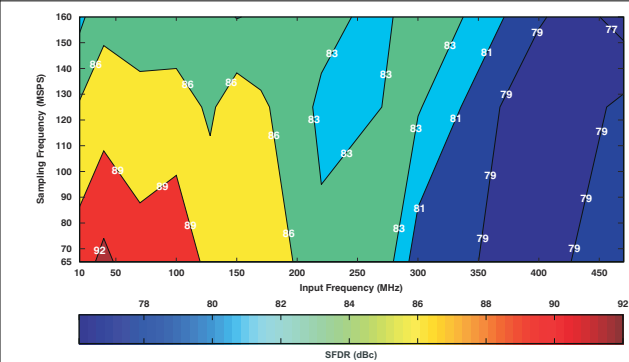
6-32. Digital Power In Various Modes (LVDS)

6.11 Typical Characteristics: Contour

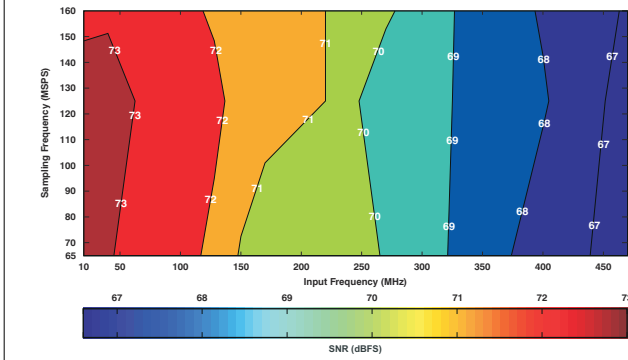
All graphs are at +25°C, AVDD = 1.8V, DRVDD = 1.8V, maximum rated sampling frequency, sine wave input clock. 1.5V_{PP} differential clock amplitude, 50% clock duty cycle, -1dBFS differential analog input, High-Performance Mode disabled, 0dB gain, DDR LVDS output interface, and 32k point FFT, unless otherwise noted.



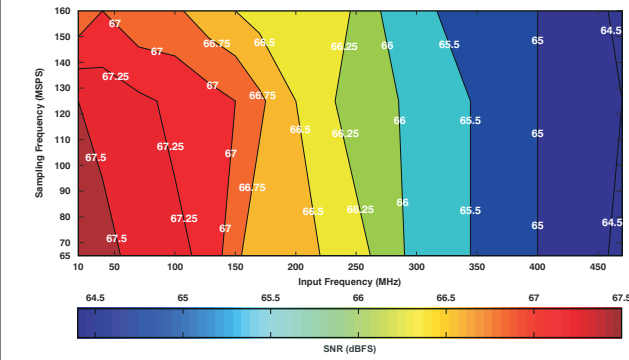
6-33. Spurious-Free Dynamic Range (0dB Gain)



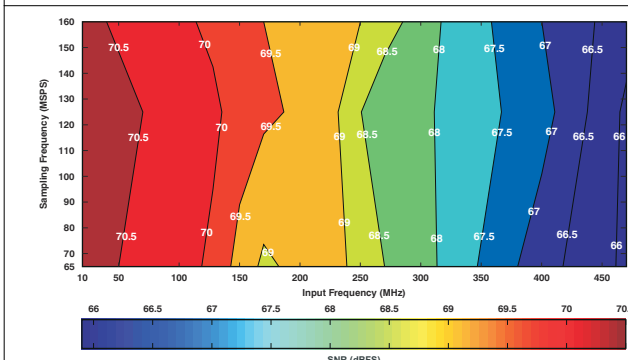
6-34. Spurious-Free Dynamic Range (6dB Gain)



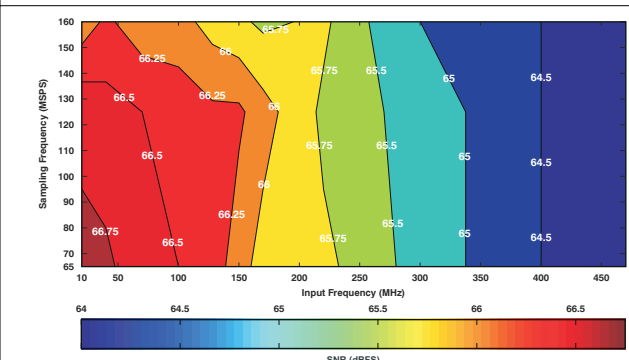
6-35. Signal-To-Noise Ratio (0dB Gain)



6-36. Signal-To-Noise Ratio (6dB Gain)



6-37. Signal-To-Noise Ratio (0dB Gain)



6-38. Signal-To-Noise Ratio (6dB Gain)

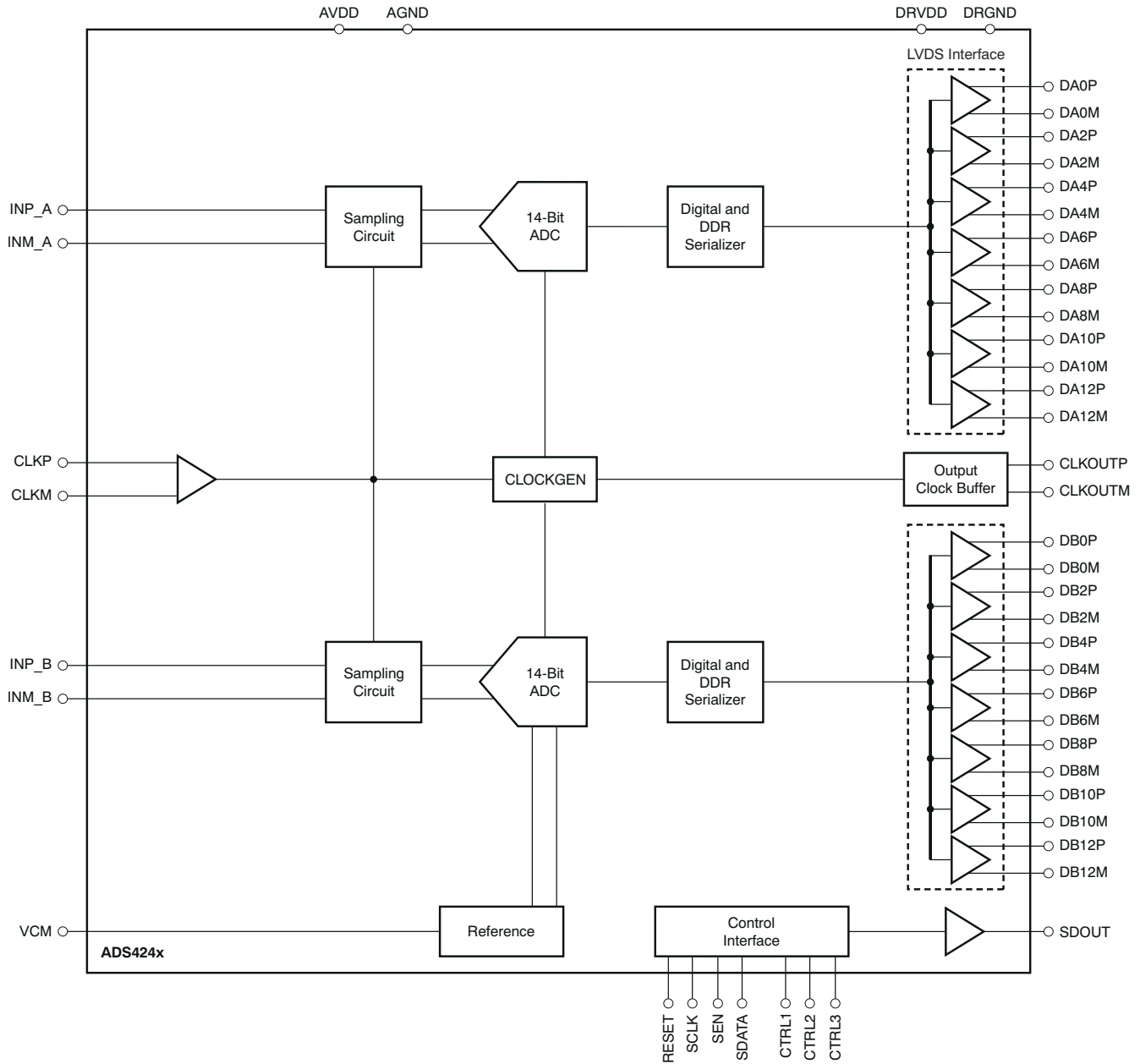
7 Detailed Description

7.1 Overview

The ADS4245 is a low-speed variant of the ADS42xx ultralow-power family of dual-channel, 14-bit analog-to-digital converters (ADCs). Innovative design techniques are used to achieve high-dynamic performance, while consuming extremely low power with 1.8V supply.

The ADS4245 has gain options that can be used to improve SFDR performance at lower full-scale input ranges. This device includes a dc offset correction loop that can be used to cancel the ADC offset.

7.2 Functional Block Diagram



7.3 Feature Description

The ADS4245 is terminal-compatible with the previous generation ADS62P49 family of data converters; this architecture enables easy migration. However, there are some important differences between the two device generations, summarized in [表 7-1](#).

表 7-1. Migrating From The ADS62P49

ADS62P49 FAMILY	ADS4245 FAMILY
TERMINALS	
Terminal 22 is NC (not connected)	Terminal 22 is AVDD
Terminals 38 and 58 are DRVDD	Terminals 38 and 58 are NC (do not connect, must be floated)
Terminals 39 and 59 are DRGND	Terminals 39 and 59 are NC (do not connect, must be floated)
SUPPLY	
AVDD is 3.3V	AVDD is 1.8V
DRVDD is 1.8V	No change
INPUT COMMON-MODE VOLTAGE	
VCM is 1.5V	VCM is 0.95V
SERIAL INTERFACE	
Protocol: 8-bit register address and 8-bit register data	No change in protocol New serial register map
EXTERNAL REFERENCE	
Supported	Not supported

7.4 Device Functional Modes

7.4.1 Digital Functions

The device has several useful digital functions (such as test patterns, gain, and offset correction). These functions require extra clock cycles for operation and increase the overall latency and power of the device. These digital functions are disabled by default after reset and the raw ADC output is routed to the output data terminals with a latency of 16 clock cycles. [图 7-1](#) shows more details of the processing after the ADC. In order to use any of the digital functions, the EN DIGITAL bit must be set to '1'. After this, the respective register bits must be programmed as described in the following sections and in the [Serial Register Map](#) section.

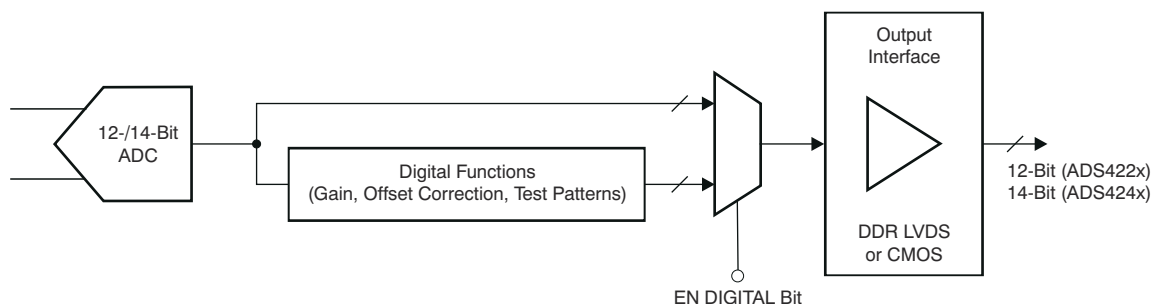


图 7-1. Digital Processing Block

7.4.2 Gain For SFDR/SNR Trade-Off

The ADS4245 includes gain settings that can be used to get improved SFDR performance (compared to no gain). The gain is programmable from 0dB to 6dB (in 0.5dB steps). For each gain setting, the analog input full-scale range scales proportionally, as shown in [表 7-2](#).

The SFDR improvement is achieved at the expense of SNR; for each gain setting, the SNR degrades approximately between 0.5dB and 1dB. The SNR degradation is reduced at high input frequencies. As a result, the gain is very useful at high input frequencies because the SFDR improvement is significant with marginal

degradation in SNR. Therefore, the gain can be used as a trade-off between SFDR and SNR. Note that the default gain after reset is 0dB.

表 7-2. Full-Scale Range Across Gains

GAIN (dB)	TYPE	FULL-SCALE (V _{PP})
0	Default after reset	2
1	Fine, programmable	1.78
2	Fine, programmable	1.59
3	Fine, programmable	1.42
4	Fine, programmable	1.26
5	Fine, programmable	1.12
6	Fine, programmable	1

7.4.3 Offset Correction

The ADS4245 has an internal offset correction algorithm that estimates and corrects dc offset up to ± 10 mV. The correction can be enabled using the ENABLE OFFSET CORR serial register bit. Once enabled, the algorithm estimates the channel offset and applies the correction every clock cycle. The time constant of the correction loop is a function of the sampling clock frequency. The time constant can be controlled using the OFFSET CORR TIME CONSTANT register bits, as described in 表 7-3.

After the offset is estimated, the correction can be frozen by setting FREEZE OFFSET CORR = 0. Once frozen, the last estimated value is used for the offset correction of every clock cycle. Note that offset correction is disabled by default after reset.

表 7-3. Time Constant Of Offset Correction Algorithm

OFFSET CORR TIME CONSTANT	TIME CONSTANT, TC _{CLK} (Number of Clock Cycles)	TIME CONSTANT, TC _{CLK} × 1/f _S (ms) ⁽¹⁾
0000	1M	7
0001	2M	13
0010	4M	26
0011	8M	52
0100	16M	105
0101	32M	210
0110	64M	419
f0111	128M	839
1000	256M	1678
1001	512M	3355
1010	1G	6711
1011	2G	13422
1100	Reserved	—
1101	Reserved	—
1110	Reserved	—
1111	Reserved	—

(1) Sampling frequency, f_S = 160MSPS.

7.4.4 Power-Down

The ADS4245 has two power-down modes: global power-down and channel standby. These modes can be set using either the serial register bits or using the control terminals CTRL1 to CTRL3 (as shown in [表 7-4](#)).

表 7-4. Power-Down Settings

CTRL1	CTRL2	CTRL3	DESCRIPTION
Low	Low	Low	Default
Low	Low	High	Not available
Low	High	Low	Not available
Low	High	High	Not available
High	Low	Low	Global power-down
High	Low	High	Channel A powered down, channel B is active
High	High	Low	Not available
High	High	High	MUX mode of operation, channel A and B data is multiplexed and output on DB[10:0] terminals

7.4.4.1 Global Power-Down

In this mode, the entire chip (including ADCs, internal reference, and output buffers) are powered down, resulting in reduced total power dissipation of approximately 20mW when the CTRL terminals are used and 3mW when the PDN GLOBAL serial register bit is used. The output buffers are in high-impedance state. The wake-up time from global power-down to data becoming valid in normal mode is typically 100 μ s.

7.4.4.2 Channel Standby

In this mode, each ADC channel can be powered down. The internal references are active, resulting in a quick wake-up time of 50 μ s. The total power dissipation in standby is approximately 200mW at 160MSPS.

7.4.4.3 Input Clock Stop

In addition to the previous modes, the converter enters a low-power mode when the input clock frequency falls below 1MSPS. The power dissipation is approximately 160mW.

7.4.5 Digital Output Information

The ADS4245 provides 14-bit digital data for each channel and an output clock synchronized with the data.

7.4.5.1 Output Interface

Two output interface options are available: double data rate (DDR) LVDS and parallel CMOS. They can be selected using the serial interface register bit or by setting the proper voltage on the SEN terminal in parallel configuration mode.

7.4.5.2 DDR LVDS Outputs

In this mode, the data bits and clock are output using low-voltage differential signal (LVDS) levels. Two data bits are multiplexed and output on each LVDS differential pair, as shown in [Figure 7-2](#).

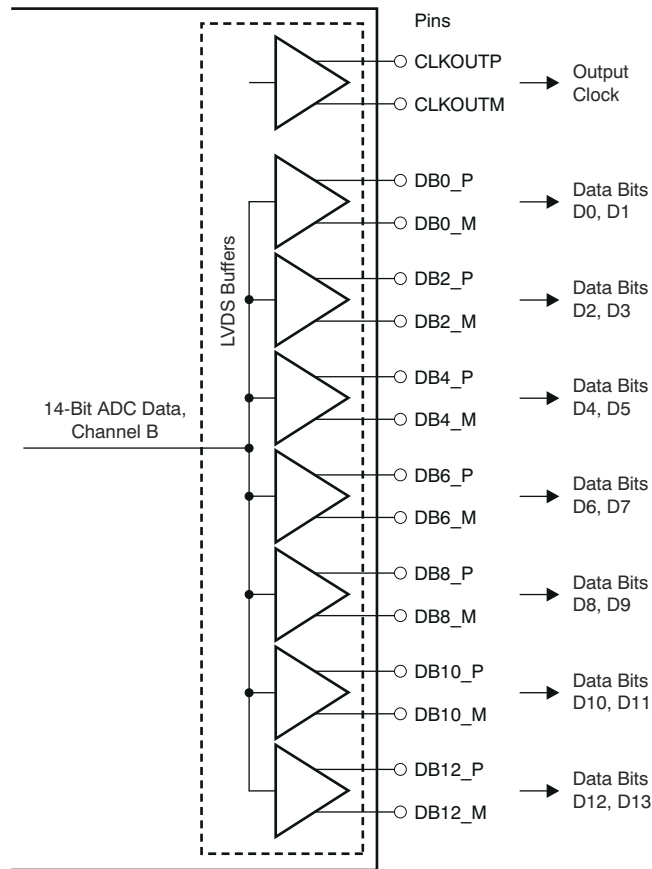


Figure 7-2. LVDS Interface

Even data bits (D0, D2, D4, etc.) are output at the CLKOUTP rising edge and the odd data bits (D1, D3, D5, etc.) are output at the CLKOUTP falling edge. Both the CLKOUTP rising and falling edges must be used to capture all the data bits, as shown in [Figure 7-3](#).

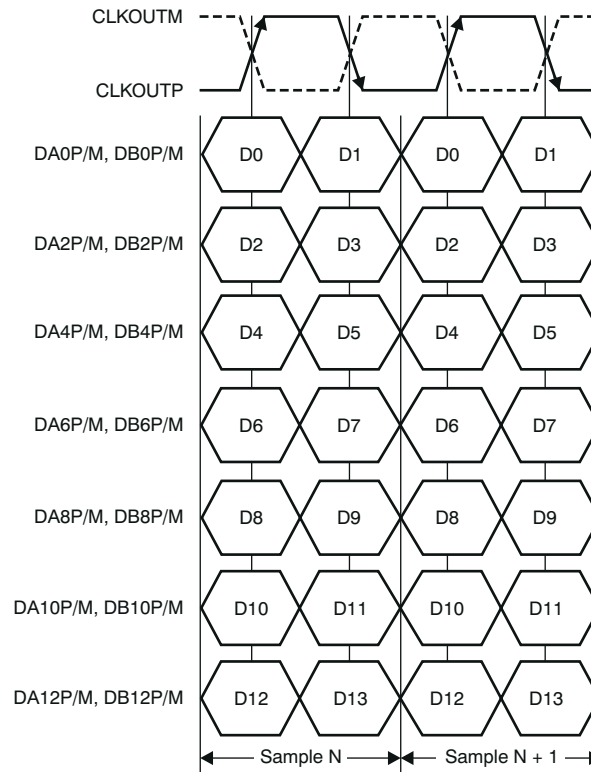
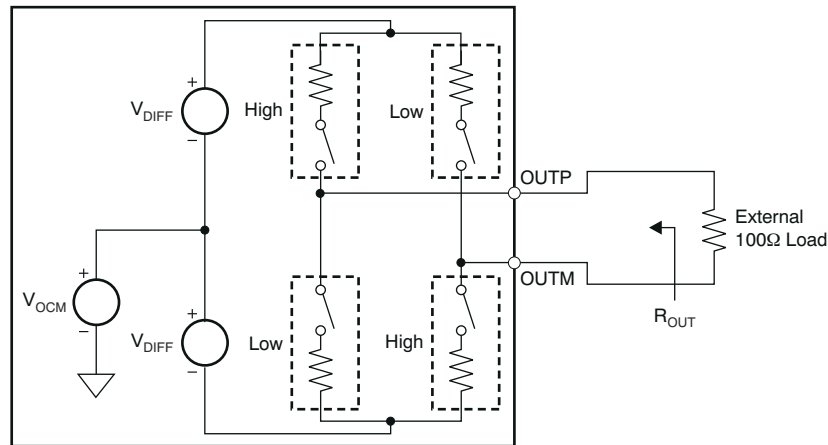


Figure 7-3. DDR LVDS Interface Timing

7.4.5.3 LVDS Buffer

The equivalent circuit of each LVDS output buffer is shown in [Figure 7-4](#). After reset, the buffer presents an output impedance of 100Ω to match with the external 100Ω termination.



NOTE: Default swing across 100Ω load is ±350mV. Use the LVDS SWING bits to change the swing.

Figure 7-4. LVDS Buffer Equivalent Circuit

The V_{DIFF} voltage is nominally 350mV, resulting in an output swing of ±350mV with 100Ω external termination. The V_{DIFF} voltage is programmable using the LVDS SWING register bits from ±125mV to ±570mV.

Additionally, a mode exists to double the strength of the LVDS buffer to support 50Ω differential termination, as shown in [Figure 7-5](#). This mode can be used when the output LVDS signal is routed to two separate receiver chips, each using a 100Ω termination. The mode can be enabled using the LVDS DATA STRENGTH and LVDS CLKOUT STRENGTH register bits for data and output clock buffers, respectively.

The buffer output impedance behaves in the same way as a source-side series termination. By absorbing reflections from the receiver end, it helps to improve signal integrity.

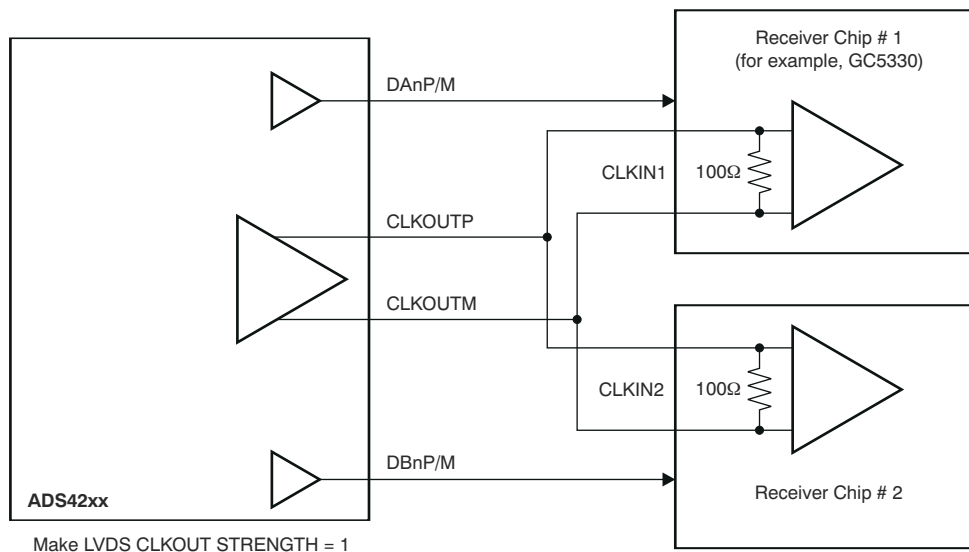

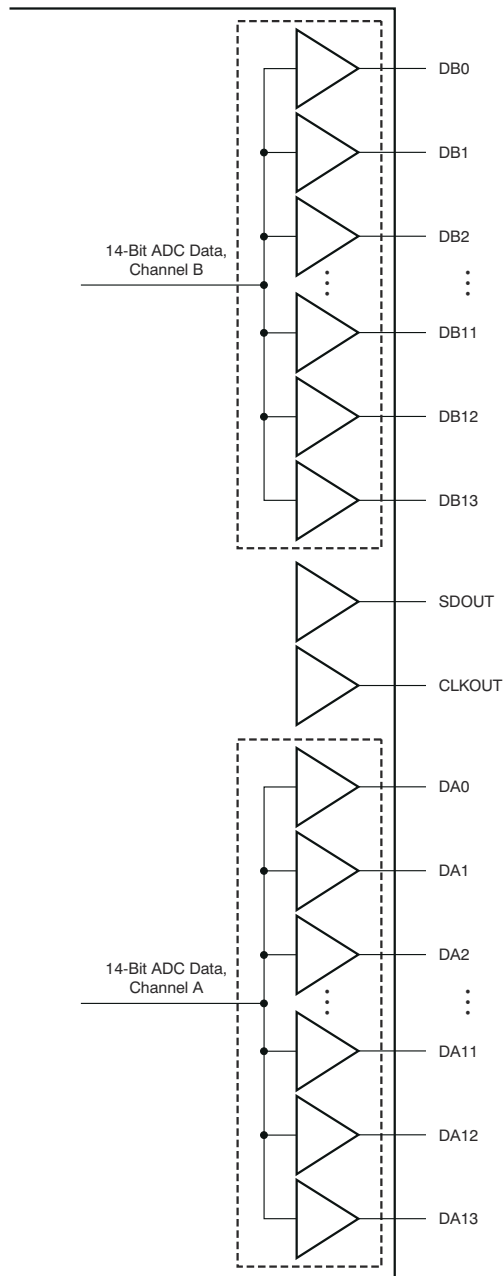


Figure 7-5. LVDS Buffer Differential Termination

7.4.5.4 Parallel CMOS Interface

In the CMOS mode, each data bit is output on separate terminals as CMOS voltage level, every clock cycle, as  7-6 shows. The rising edge of the output clock CLKOUT can be used to latch data in the receiver. It is recommended to minimize the load capacitance of the data and clock output terminals by using short traces to the receiver. Furthermore, match the output data and clock traces to minimize the skew between them.



 7-6. CMOS Outputs

7.4.5.5 CMOS Interface Power Dissipation

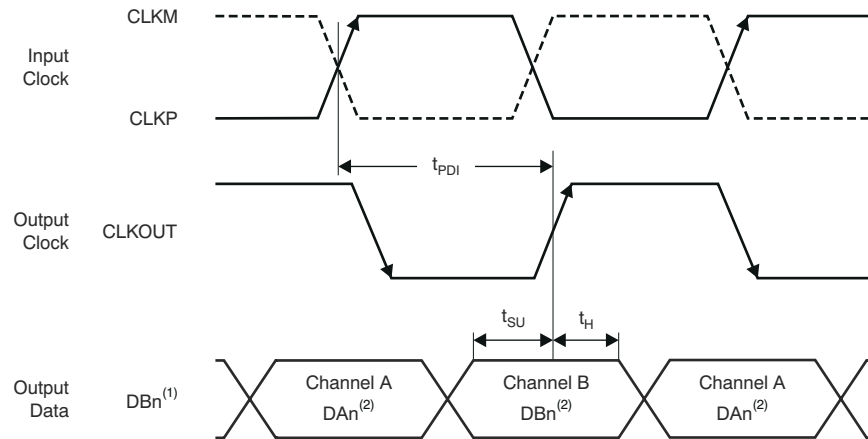
With CMOS outputs, the DRVDD current scales with the sampling frequency and the load capacitance on every output terminal. The maximum DRVDD current occurs when each output bit toggles between 0 and 1 every clock cycle. In actual applications, this condition is unlikely to occur. The actual DRVDD current would be determined by the average number of output bits switching, which is a function of the sampling frequency and the nature of the analog input signal. This relationship is shown by the formula:

Digital current as a result of CMOS output switching = $C_L \times \text{DRVDD} \times (N \times F_{\text{AVG}})$,

where C_L = load capacitance, $N \times F_{\text{AVG}}$ = average number of output bits switching.

7.4.5.6 Multiplexed Mode Of Operation

In this mode, the digital outputs of both channels are multiplexed and output on a single bus (DB[13:0] terminals), as shown in [Figure 7-7](#). The channel A output terminals (DA[13:0]) are in 3-state. Because the output data rate on the DB bus is effectively doubled, this mode is recommended only for low sampling frequencies (less than 80MSPS). This mode can be enabled using the POWER-DOWN MODE register bits or using the CTRL[3:1] parallel terminals.



- A. In multiplexed mode, both channels outputs come on the channel B output terminals.
- B. Dn = bits D0, D1, D2, etc.

Figure 7-7. Multiplexed Mode Timing Diagram

7.4.5.7 Output Data Format

Two output data formats are supported: twos complement and offset binary. The format can be selected using the DATA FORMAT serial interface register bit or by controlling the DFS terminal in parallel configuration mode.

In the event of an input voltage overdrive, the digital outputs go to the appropriate full-scale level. For a positive overdrive, the output code is FFFh for the ADS422x and 3FFFh for the ADS424x in offset binary output format; the output code is 7FFh for the ADS422x and 1FFFh for the ADS424x in twos complement output format. For a negative input overdrive, the output code is 0000h in offset binary output format and 800h for the ADS422x and 2000h for the ADS424x in twos complement output format.

7.4.6 Device Configuration

The ADS4245 can be configured independently using either parallel interface control or serial interface programming.

7.4.6.1 Parallel Configuration Only

To put the device into parallel configuration mode, keep RESET tied high (AVDD). Then, use the SEN, SCLK, CTRL1, CTRL2, and CTRL3 terminals to directly control certain modes of the ADC. The device can be easily configured by connecting the parallel terminals to the correct voltage levels (as described in [表 7-5](#) to [表 7-8](#)). There is no need to apply a reset and SDATA can be connected to ground.

In this mode, SEN and SCLK function as parallel interface control terminals. Some frequently-used functions can be controlled using these terminals. [表 7-5](#) describes the modes controlled by the parallel terminals.

表 7-5. Parallel Terminal Definition

TERMINAL	CONTROL MODE
SCLK	Low-speed mode selection
SEN	Output data format and output interface selection
CTRL1	Together, these terminals control the power-down modes
CTRL2	
CTRL3	

7.4.6.2 Serial Interface Configuration Only

To enable this mode, the serial registers must first be reset to the default values and the RESET terminal must be kept low. SEN, SDATA, and SCLK function as serial interface terminals in this mode and can be used to access the internal registers of the ADC. The registers can be reset either by applying a pulse on the RESET terminal or by setting the RESET bit high. The [Serial Register Map](#) section describes the register programming and the register reset process in more detail.

7.4.6.3 Using Both Serial Interface And Parallel Controls

For increased flexibility, a combination of serial interface registers and parallel terminal controls (CTRL1 to CTRL3) can also be used to configure the device. To enable this option, keep RESET low. The parallel interface control terminals CTRL1 to CTRL3 are available. After power-up, the device is automatically configured according to the voltage settings on these terminals (see [表 7-8](#)). SEN, SDATA, and SCLK function as serial interface digital terminals and are used to access the internal registers of the ADC. The registers must first be reset to the default values either by applying a pulse on the RESET terminal or by setting the RESET bit to '1'. After reset, the RESET terminal must be kept low. The [Serial Register Map](#) section describes register programming and the register reset process in more detail.

7.4.6.4 Parallel Configuration Details

The functions controlled by each parallel terminal are described in [表 7-6](#), [表 7-7](#), and [表 7-8](#). A simple way of configuring the parallel terminals is shown in [图 7-8](#).

表 7-6. SCLK Control Terminal

VOLTAGE APPLIED ON SCLK	DESCRIPTION
Low	Low-speed mode is disabled
High	Low-speed mode is enabled ⁽¹⁾

(1) Low-speed mode is enabled in the ADS4222/42 by default.

表 7-7. SEN Control Terminal

VOLTAGE APPLIED ON SEN	DESCRIPTION
0 (+50mV/0mV)	Twos complement and parallel CMOS output
(3/8) AVDD (±50mV)	Offset binary and parallel CMOS output
(5/8) 2AVDD (±50mV)	Offset binary and DDR LVDS output

表 7-7. SEN Control Terminal (continued)

VOLTAGE APPLIED ON SEN	DESCRIPTION
AVDD (0mV/-50mV)	Twos complement and DDR LVDS output

表 7-8. CTRL1, CTRL2, And CTRL3 Terminals

CTRL1	CTRL2	CTRL3	DESCRIPTION
Low	Low	Low	Normal operation
Low	Low	High	Not available
Low	High	Low	Not available
Low	High	High	Not available
High	Low	Low	Global power-down
High	Low	High	Channel A standby, channel B is active
High	High	Low	Not available
High	High	High	MUX mode of operation, channel A and B data are multiplexed and output on the DB[13:0] terminals.

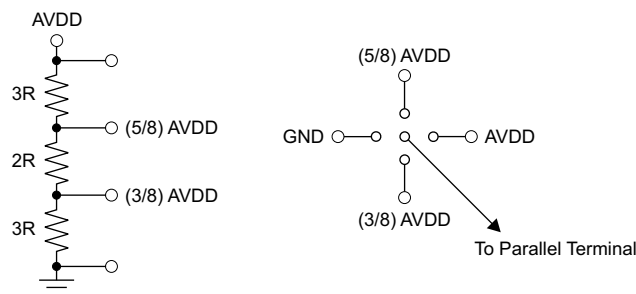


图 7-8. Simple Scheme To Configure The Parallel Terminals

7.4.6.5 Serial Interface Details

The ADC has a set of internal registers that can be accessed by the serial interface formed by the SEN (serial interface enable), SCLK (serial interface clock), and SDATA (serial interface data) terminals. Serial shift of bits into the device is enabled when SEN is low. Serial data SDATA are latched at every SCLK falling edge when SEN is active (low). The serial data are loaded into the register at every 16th SCLK falling edge when SEN is low. When the word length exceeds a multiple of 16 bits, the excess bits are ignored. Data can be loaded in multiples of 16-bit words within a single active SEN pulse. The first eight bits form the register address and the remaining eight bits are the register data. The interface can work with SCLK frequencies from 20MHz down to very low speeds (of a few hertz) and also with non-50% SCLK duty cycle.

7.4.6.5.1 Register Initialization

After power-up, the internal registers must be initialized to the default values. Initialization can be accomplished in one of two ways:

1. Either through hardware reset by applying a high pulse on the RESET terminal (of width greater than 10ns), as shown in [Figure 7-9](#); or
2. By applying a software reset. When using the serial interface, set the RESET bit high. This setting initializes the internal registers to the default values and then self-resets the RESET bit low. In this case, the RESET terminal is kept low.

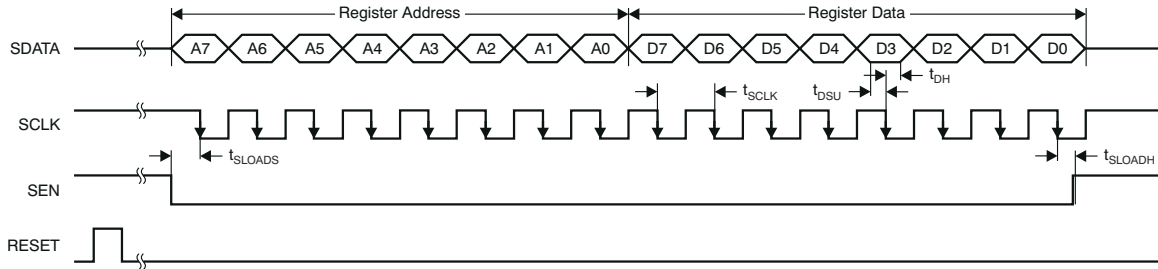


图 7-9. Serial Interface Timing

表 7-9. Serial Interface Timing Characteristics

PARAMETER ⁽¹⁾		MIN	TYP	MAX	UNIT
f _{SCLK}	SCLK frequency (equal to 1/t _{SCLK})	> DC		20	MHz
t _{SLOADS}	SEN to SCLK setup time	30			ns
t _{SLOADH}	SCLK to SEN hold time	30			ns
t _{DSU}	SDATA setup time	30			ns
t _{DH}	SDATA hold time	30			ns

(1) Typical values at +25°C; minimum and maximum values across the full temperature range: T_{MIN} = -55°C to T_{MAX} = +125°C, AVDD = 1.8V, and DRVDD = 1.8V, unless otherwise noted.

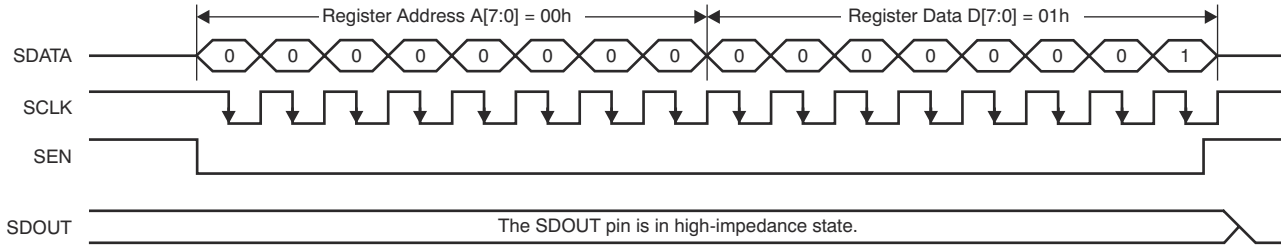
7.4.6.5.2 Serial Register Readout

The device includes a mode where the contents of the internal registers can be read back. This readback mode may be useful as a diagnostic check to verify the serial interface communication between the external controller and the ADC. To use readback mode, follow this procedure:

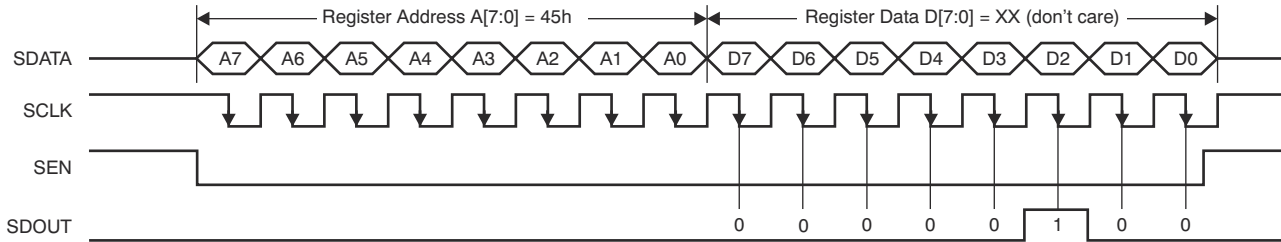
1. Set the READOUT register bit to '1'. This setting disables any further writes to the registers.
2. Initiate a serial interface cycle specifying the address of the register (A7 to A0) whose content has to be read.
3. The device outputs the contents (D7 to D0) of the selected register on the SDOUT terminal (terminal 64).
4. The external controller can latch the contents at the SCLK falling edge.
5. To enable register writes, reset the READOUT register bit to '0'.

The serial register readout works with both CMOS and LVDS interfaces on terminal 64.

When READOUT is disabled, the SDOUT terminal is in high-impedance state. If serial readout is not used, the SDOUT terminal must float.



a) Enable serial readout (READOUT = 1)



The SDOOUT pin functions as serial readout (READOUT = 1).

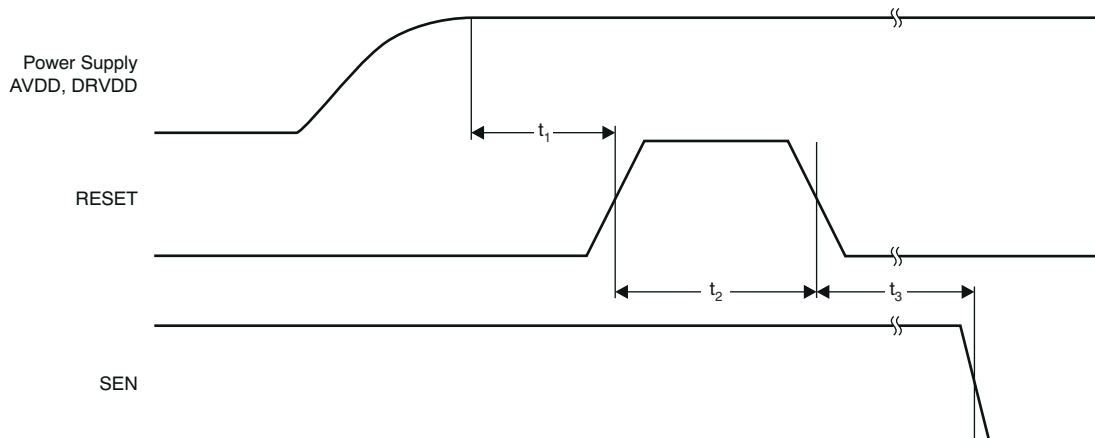
b) Read contents of Register 45h. This register has been initialized with 04h (device is put into global power-down mode.)

7-10. Serial Readout Timing Diagram

表 7-10. Reset Timing (Only When Serial Interface Is Used)

PARAMETER ⁽¹⁾		CONDITIONS	MIN	TYP	MAX	UNIT
t ₁	Power-on delay	Delay from AVDD and DRVDD power-up to active RESET pulse	1			ms
t ₂	Reset pulse width	Active RESET signal pulse width	100			ns
					1	μs
t ₃	Register write delay	Delay from RESET disable to SEN active	350			ns

(1) Typical values at +25°C; minimum and maximum values across the full temperature range: T_{MIN} = -55°C to T_{MAX} = +125°C, unless otherwise noted.



NOTE: A high pulse on the RESET terminal is required in the serial interface mode when initialized through a hardware reset. For parallel interface operation, RESET must be permanently tied high.

7-11. Reset Timing Diagram

7.5 Serial Register Map

表 7-11 summarizes the functions supported by the serial interface.

表 7-11. Serial Interface Register Map

REGISTER ADDRESS ⁽¹⁾ A[7:0] (Hex)	REGISTER DATA							
	D7	D6	D5	D4	D3	D2	D1	D0
00	0	0	0	0	0	0	RESET	READOUT
01	LVDS SWING						0	0
03	0	0	0	0	0	0	HIGH PERF MODE	
25	CH A GAIN				0	CH A TEST PATTERNS		
29	0	0	0	DATA FORMAT		0	0	0
2B	CH B GAIN				0	CH B TEST PATTERNS		
3D	0	0	ENABLE OFFSET CORR	0	0	0	0	0
3F	0	0	CUSTOM PATTERN D[13:8]					
40	CUSTOM PATTERN D[7:0]							
41	LVDS CMOS		CMOS CLKOUT STRENGTH		0	0	DIS OBUF	
42	CLKOUT FALL POSN		CLKOUT RISE POSN		EN DIGITAL	0	0	0
45	STBY	LVDS CLKOUT STRENGTH	LVDS DATA STRENGTH	0	0	PDN GLOBAL	0	0
4A	0	0	0	0	0	0	0	HIGH FREQ MODE CH B ⁽²⁾
58	0	0	0	0	0	0	0	HIGH FREQ MODE CH A ⁽²⁾
BF	CH A OFFSET PEDESTAL						0	0
C1	CH B OFFSET PEDESTAL						0	0
CF	FREEZE OFFSET CORR	0	OFFSET CORR TIME CONSTANT				0	0
DB	0	0	0	0	0	0	0	LOW SPEED MODE CH B
EF	0	0	0	EN LOW SPEED MODE ⁽²⁾	0	0	0	0
F1	0	0	0	0	0	0	EN LVDS SWING	
F2	0	0	0	0	LOW SPEED MODE CH A ⁽²⁾	0	0	0

(1) Multiple functions in a register can be programmed in a single write operation. All registers default to '0' after reset.

(2) These bits improve SFDR on high frequencies. The frequency limit is 200MHz.

7.6 Description Of Serial Registers

7	6	5	4	3	2	1	0
0	0	0	0	0	0	RESET	READOUT

Bits[7:2] Always write '0'

Bit 1 RESET: Software reset applied

This bit resets all internal registers to the default values and self-clears to 0 (default = 1).

Bit 0 READOUT: Serial readout

This bit sets the serial readout of the registers.

0 = Serial readout of registers disabled; the SDOOUT terminal is placed in high-impedance state.

1 = Serial readout enabled; the SDOOUT terminal functions as a serial data readout with CMOS logic levels running from the DRVDD supply. See the [Serial Register Readout](#) section.

7	6	5	4	3	2	1	0
LVDS SWING						0	0

Bits[7:2] LVDS SWING: LVDS swing programmability

These bits program the LVDS swing. Set the EN LVDS SWING bit to '1' before programming swing.

000000 = Default LVDS swing; $\pm 350\text{mV}$ with external 100Ω termination

011011 = LVDS swing increases to $\pm 410\text{mV}$

110010 = LVDS swing increases to $\pm 465\text{mV}$

010100 = LVDS swing increases to $\pm 570\text{mV}$

111110 = LVDS swing decreases to $\pm 200\text{mV}$

001111 = LVDS swing decreases to $\pm 125\text{mV}$

Bits[1:0] Always write '0'

7	6	5	4	3	2	1	0
0	0	0	0	0	0	HIGH PERF MODE	

Bits[7:2] Always write '0'

Bits[1:0] HIGH PERF MODE: High-performance mode

00 = Default performance

01 = Do not use

10 = Do not use

11 = Obtain best performance across sample clock and input signal frequencies

7	6	5	4	3	2	1	0
CH A GAIN				0	CH A TEST PATTERNS		

Bits[7:4] CH A GAIN: Channel A gain programmability

These bits set the gain programmability in 0.5dB steps for channel A.

0000 = 0dB gain (default after reset)

0001 = 0.5dB gain

0010 = 1dB gain

0011 = 1.5dB gain

0100 = 2dB gain

0101 = 2.5dB gain

0110 = 3dB gain

0111 = 3.5dB gain

1000 = 4dB gain

1001 = 4.5dB gain

1010 = 5dB gain

1011 = 5.5dB gain

1100 = 6dB gain

Bit 3 Always write '0'

Bits[2:0] CH A TEST PATTERNS: Channel A data capture

These bits verify data capture for channel A.

000 = Normal operation

001 = Outputs all 0s

010 = Outputs all 1s

011 = Outputs toggle pattern.

Output data D[13:0] are an alternating sequence of 101010101010 and 010101010101.

100 = Outputs digital ramp.

Output data increment by one LSB (14-bit) every clock cycle from code 0 to code 16383.

101 = Outputs custom pattern; use registers 3Fh and 40h to set the custom pattern

110 = Unused

111 = Unused

7	6	5	4	3	2	1	0
0	0	0	DATA FORMAT		0	0	0

Bits[7:5] Always write '0'

Bits[4:3] DATA FORMAT: Data format selection

00 = Twos complement

01 = Twos complement

10 = Twos complement

11 = Offset binary

Bits[2:0] Always write '0'

7	6	5	4	3	2	1	0
CH B GAIN				0	CH B TEST PATTERNS		

Bits[7:4] CH B GAIN: Channel B gain programmability

These bits set the gain programmability in 0.5dB steps for channel B.

0000 = 0dB gain (default after reset)

0001 = 0.5dB gain

0010 = 1dB gain

0011 = 1.5dB gain

0100 = 2dB gain

0101 = 2.5dB gain

0110 = 3dB gain

0111 = 3.5dB gain

1000 = 4dB gain

1001 = 4.5dB gain

1010 = 5dB gain

1011 = 5.5dB gain

1100 = 6dB gain

Bit 3 Always write '0'

Bits[2:0] CH B TEST PATTERNS: Channel B data capture

These bits verify data capture for channel B.

000 = Normal operation

001 = Outputs all 0s

010 = Outputs all 1s

011 = Outputs toggle pattern.

Output data D[13:0] are an alternating sequence of 101010101010 and 010101010101.

100 = Outputs digital ramp.

Output data increment by one LSB (14-bit) every clock cycle from code 0 to code 16383.

101 = Outputs custom pattern; use registers 3Fh and 40h to set the custom pattern

110 = Unused

111 = Unused

7	6	5	4	3	2	1	0
0	0	ENABLE OFFSET CORR	0	0	0	0	0

Bits[7:6] Always write '0'

Bit 5 ENABLE OFFSET CORR: Offset correction setting

This bit enables the offset correction.
 0 = Offset correction disabled
 1 = Offset correction enabled

Bits[4:0] Always write '0'

7	6	5	4	3	2	1	0
0	0	CUSTOM PATTERN D13	CUSTOM PATTERN D12	CUSTOM PATTERN D11	CUSTOM PATTERN D10	CUSTOM PATTERN D9	CUSTOM PATTERN D8

Bits[7:6] Always write '0'

Bits[5:0] CUSTOM PATTERN D[13:8]

These are the six upper bits of the custom pattern available at the output instead of ADC data.

7	6	5	4	3	2	1	0
---	---	---	---	---	---	---	---

Bits[7:0] CUSTOM PATTERN D[7:0]

These are the eight upper bits of the custom pattern available at the output instead of ADC data.

7	6	5	4	3	2	1	0
LVDS CMOS		CMOS CLKOUT STRENGTH		0	0	DIS OBUF	

Bits[7:6] LVDS CMOS: Interface selection

These bits select the interface.
 00 = DDR LVDS interface
 01 = DDR LVDS interface
 10 = DDR LVDS interface
 11 = Parallel CMOS interface

Bits[5:4] CMOS CLKOUT STRENGTH

These bits control the strength of the CMOS output clock.
 00 = Maximum strength (recommended)
 01 = Medium strength
 10 = Low strength
 11 = Very low strength

Bits[3:2] Always write '0'

Bits[1:0] DIS OBUF

These bits power down data and clock output buffers for both the CMOS and LVDS output interface. When powered down, the output buffers are in 3-state.
 00 = Default
 01 = Power-down data output buffers for channel B
 10 = Power-down data output buffers for channel A
 11 = Power-down data output buffers for both channels as well as the clock output buffer

7	6	5	4	3	2	1	0
CLKOUT FALL POSN		CLKOUT RISE POSN		EN DIGITAL	0	0	0

Bits[7:6] CLKOUT FALL POSN

In LVDS mode:
 00 = Default
 01 = The falling edge of the output clock advances by 450 ps
 10 = The falling edge of the output clock advances by 150 ps
 11 = The falling edge of the output clock is delayed by 550 ps
 In CMOS mode:
 00 = Default
 01 = The falling edge of the output clock is delayed by 150 ps
 10 = Do not use
 11 = The falling edge of the output clock advances by 100 ps

Bits[5:6] CLKOUT RISE POSN

In LVDS mode:
 00 = Default
 01 = The rising edge of the output clock advances by 450 ps
 10 = The rising edge of the output clock advances by 150 ps
 11 = The rising edge of the output clock is delayed by 250 ps
 In CMOS mode:
 00 = Default
 01 = The rising edge of the output clock is delayed by 150 ps
 10 = Do not use
 11 = The rising edge of the output clock advances by 100 ps

Bit 3 EN DIGITAL: Digital function enable

0 = All digital functions disabled
 1 = All digital functions (such as test patterns, gain, and offset correction) enabled

Bits[2:0] Always write '0'

7	6	5	4	3	2	1	0
STBY	LVDS CLKOUT STRENGTH	LVDS DATA STRENGTH	0	0	PDN GLOBAL	0	0

Bit 7 STBY: Standby setting

0 = Normal operation
 1 = Both channels are put in standby; wakeup time from this mode is fast (typically 50µs).

Bit 6 LVDS CLKOUT STRENGTH: LVDS output clock buffer strength setting

0 = LVDS output clock buffer at default strength to be used with 100Ω external termination
 1 = LVDS output clock buffer has double strength to be used with 50Ω external termination

Bit 5 LVDS DATA STRENGTH

0 = All LVDS data buffers at default strength to be used with 100Ω external termination
 1 = All LVDS data buffers have double strength to be used with 50Ω external termination

Bits[4:3] Always write '0'

Bit 2 PDN GLOBAL

0 = Normal operation
 1 = Total power down; all ADC channels, internal references, and output buffers are powered down. Wakeup time from this mode is slow (typically 100µs).

Bits[1:0] Always write '0'

7	6	5	4	3	2	1	0
0	0	0	0	0	0	0	HIGH FREQ MODE CH B

Bits[7:1] Always write '0'

Bit 0 HIGH FREQ MODE CH B: High-frequency mode for channel B

0 = Default
 1 = Use this mode for high input frequencies

7	6	5	4	3	2	1	0
0	0	0	0	0	0	0	HIGH FREQ MODE CH A

Bits[7:1] Always write '0'

Bit 0 HIGH FREQ MODE CH A: High-frequency mode for channel A

0 = Default
 1 = Use this mode for high input frequencies

7	6	5	4	3	2	1	0
CH A OFFSET PEDESTAL						0	0

Bits[7:2] CH A OFFSET PEDESTAL: Channel A offset pedestal selection

When the offset correction is enabled, the final converged value after the offset is corrected is the ADC midcode value. A pedestal can be added to the final converged value by programming these bits. See the [Offset Correction](#) section. Channels can be independently programmed for different offset pedestals by choosing the relevant register address. The pedestal ranges from –32 to +31, so the output code can vary from midcode-32 to midcode+32 by adding pedestal D7-D2.

ADS4245 (Program Bits D[7:2])

011111 = Midcode+31
 011110 = Midcode+30
 011101 = Midcode+29
 ...
 000000 = Midcode
 111111 = Midcode-1
 111110 = Midcode-2
 111101 = Midcode-3
 ...
 100000 = Midcode-32

Bits[1:0] Always write '0'

7	6	5	4	3	2	1	0
CH B OFFSET PEDESTAL						0	0

Bits[7:2] **CH B OFFSET PEDESTAL: Channel B offset pedestal selection**

When offset correction is enabled, the final converged value after the offset is corrected is the ADC midcode value. A pedestal can be added to the final converged value by programming these bits; see the [Offset Correction](#) section. Channels can be independently programmed for different offset pedestals by choosing the relevant register address. The pedestal ranges from –32 to +31, so the output code can vary from midcode-32 to midcode+32 by adding pedestal D[7:2].

ADS424x (Program Bits D[7:2])

011111 = Midcode+31
 011110 = Midcode+30
 011101 = Midcode+29
 ...
 000000 = Midcode
 111111 = Midcode-1
 111110 = Midcode-2
 111101 = Midcode-3
 ...
 100000 = Midcode-32

Bits[1:0] Always write '0'

7	6	5	4	3	2	1	0
FREEZE OFFSET CORR	0	OFFSET CORR TIME CONSTANT				0	0

Bit 7 **FREEZE OFFSET CORR: Freeze offset correction setting**

This bit sets the freeze offset correction estimation.
 0 = Estimation of offset correction is not frozen (the EN OFFSET CORR bit must be set)
 1 = Estimation of offset correction is frozen (the EN OFFSET CORR bit must be set); when frozen, the last estimated value is used for offset correction of every clock cycle. See the [Offset Correction](#) section.

Bit 6 Always write '0'

Bits[5:2] **OFFSET CORR TIME CONSTANT**

The offset correction loop time constant in number of clock cycles. Refer to the [Offset Correction](#) section.

Bits[1:0] Always write '0'

7	6	5	4	3	2	1	0
0	0	0	0	0	0	0	LOW SPEED MODE CH B

Bits[7:1] Always write '0'

Bit 0 LOW SPEED MODE CH B: Channel B low-speed mode enable

This bit enables the low-speed mode for channel B. Set the EN LOW SPEED MODE bit to '1' before using this bit.
0 = Low-speed mode is disabled for channel B
1 = Low-speed mode is enabled for channel B

7	6	5	4	3	2	1	0
0	0	0	EN LOW SPEED MODE	0	0	0	0

Bits[7:5] Always write '0'

Bit 4 EN LOW SPEED MODE: Enable control of low-speed mode through serial register bits (ADS42x5 and ADS42x6 only)

This bit enables the control of the low-speed mode using the LOW SPEED MODE CH B and LOW SPEED MODE CH A register bits.
0 = Low-speed mode is disabled
1 = Low-speed mode is controlled by serial register bits

Bits[3:0] Always write '0'

7	6	5	4	3	2	1	0
0	0	0	0	0	0	EN LVDS SWING	

Bits[7:2] Always write '0'

Bits[1:0] EN LVDS SWING: LVDS swing enable

These bits enable LVDS swing control using the LVDS SWING register bits.
00 = LVDS swing control using the LVDS SWING register bits is disabled
01 = Do not use
10 = Do not use
11 = LVDS swing control using the LVDS SWING register bits is enabled

7	6	5	4	3	2	1	0
0	0	0	0	LOW SPEED MODE CH A	0	0	0

Bits[7:4] Always write '0'

Bit 3 LOW SPEED MODE CH A: Channel A low-speed mode enable

This bit enables the low-speed mode for channel A. Set the EN LOW SPEED MODE bit to '1' before using this bit.
0 = Low-speed mode is disabled for channel A
1 = Low-speed mode is enabled for channel A

Bits[2:0] Always write '0'

8 Application Information Disclaimer

Note

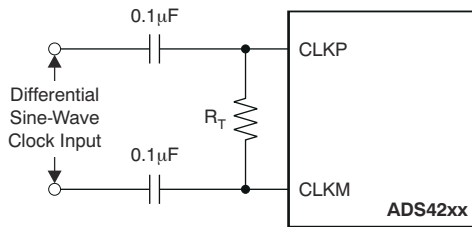
Information in the following applications sections is not part of the TI component specification, and TI does not warrant its accuracy or completeness. TI's customers are responsible for determining suitability of components for their purposes, as well as validating and testing their design implementation to confirm system functionality.

8.1 Application Information

The ADS4245 belongs to TI's ultralow-power family of dual-channel 14-bit analog-to-digital converters (ADCs). At every rising edge of the input clock, the analog input signal of each channel is simultaneously sampled. The sampled signal in each channel is converted by a pipeline of low-resolution stages. In each stage, the sampled/ held signal is converted by a high-speed, low-resolution, flash sub-ADC. The difference between the stage input and the quantized equivalent is gained and propagates to the next stage. At every clock, each succeeding stage resolves the sampled input with greater accuracy. The digital outputs from all stages are combined in a digital correction logic block and digitally processed to create the final code after a data latency of 16 clock cycles. The digital output is available as either DDR LVDS or parallel CMOS and coded in either straight offset binary or binary twos complement format. The dynamic offset of the first stage sub-ADC limits the maximum analog input frequency to approximately 400MHz (with 2V_{PP} amplitude) or approximately 600MHz (with 1V_{PP} amplitude).

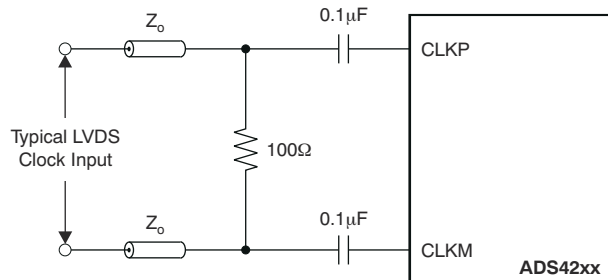
8.1.1 Clock Input

The ADS4245 clock inputs can be driven differentially (sine, LVPECL, or LVDS) or single-ended (LVCMOS), with little or no difference in performance between them. The common-mode voltage of the clock inputs is set to V_{CM} using internal 5kΩ resistors. This setting allows the use of transformer-coupled drive circuits for sine-wave clock or ac-coupling for LVPECL and LVDS clock sources are shown in [8-1](#), [8-2](#) and [8-3](#). The internal clock buffer is shown in [8-4](#).

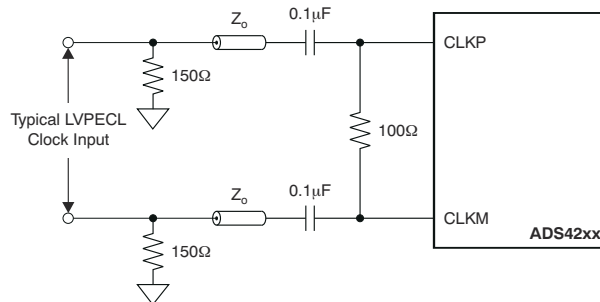


A. R_T = termination resistor, if necessary.

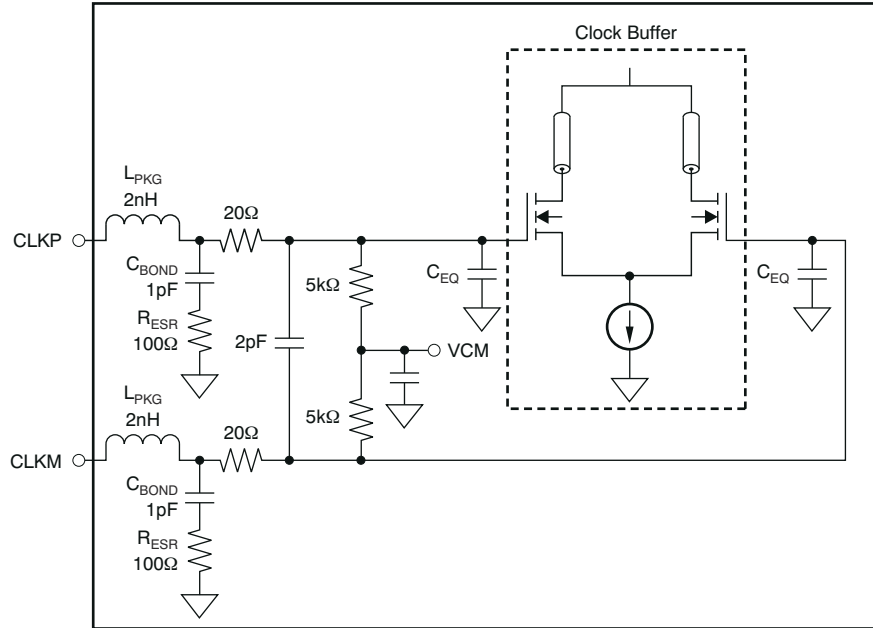
8-1. Differential Sine-Wave Clock Driving Circuit



8-2. LVDS Clock Driving Circuit



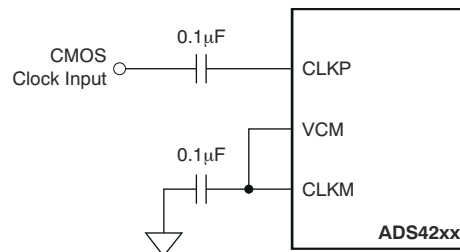
8-3. LVPECL Clock Driving Circuit



NOTE: C_{EQ} is 1pF to 3pF and is the equivalent input capacitance of the clock buffer.

8-4. Internal Clock Buffer

A single-ended CMOS clock can be ac-coupled to the CLKP input, with CLKM connected to ground with a 0.1μF capacitor, as shown in 8-5. For best performance, the clock inputs must be driven differentially, thereby reducing susceptibility to common-mode noise. For high input frequency sampling, it is recommended to use a clock source with very low jitter. Band-pass filtering of the clock source can help reduce the effects of jitter. There is no change in performance with a non-50% duty cycle clock input.



8-5. Single-Ended Clock Driving Circuit

8.2 Typical Applications

8.2.1 Analog Input

The analog input consists of a switched-capacitor based, differential sample-and-hold (S/H) architecture. This differential topology results in very good ac performance even for high input frequencies at high sampling rates. The INP and INM terminals must be externally biased around a common-mode voltage of 0.95V, available on the VCM terminal. For a full-scale differential input, each input terminal (INP and INM) must swing symmetrically between $V_{CM} + 0.5V$ and $V_{CM} - 0.5V$, resulting in a 2V_{PP} differential input swing. The input sampling circuit has a high 3dB bandwidth that extends up to 550MHz (measured from the input terminals to the sampled voltage). 8-6 shows an equivalent circuit for the analog input.

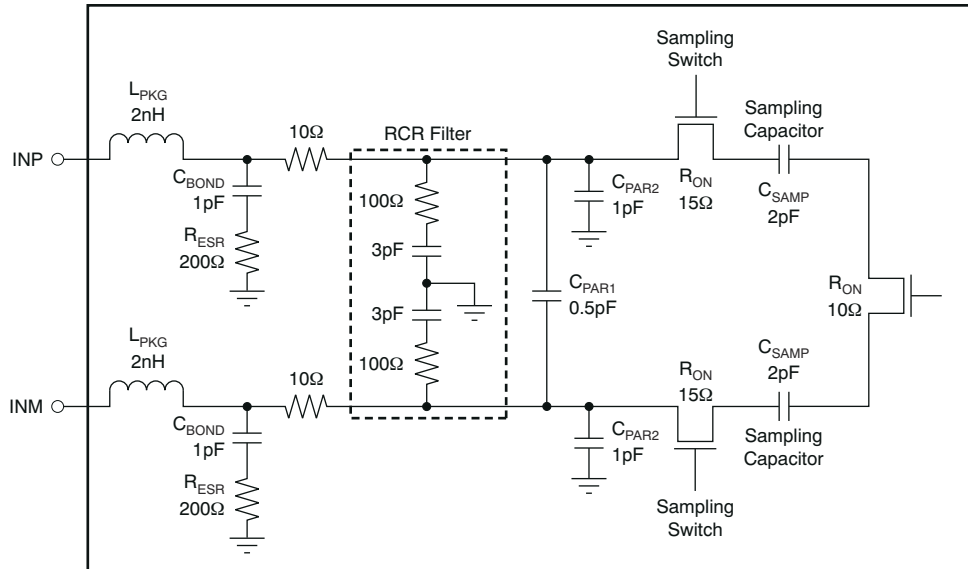


FIG 8-6. Analog Input Equivalent Circuit

8.2.1.1 Design Requirements for Drive Circuits

For optimum performance, the analog inputs must be driven differentially. This operation improves the common-mode noise immunity and even-order harmonic rejection. A 5Ω to 15Ω resistor in series with each input terminal is recommended to damp out ringing caused by package parasitics.

SFDR performance can be limited as a result of several reasons, including the effects of sampling glitches; nonlinearity of the sampling circuit; and nonlinearity of the quantizer that follows the sampling circuit. Depending on the input frequency, sample rate, and input amplitude, one of these factors plays a dominant part in limiting performance. At very high input frequencies (greater than approximately 300MHz), SFDR is determined largely by the device sampling circuit nonlinearity. At low input amplitudes, the quantizer nonlinearity usually limits performance.

Glitches are caused by the opening and closing of the sampling switches. The driving circuit should present a low source impedance to absorb these glitches. Otherwise, glitches could limit performance, primarily at low input frequencies (up to approximately 200MHz). It is also necessary to present low impedance (less than 50Ω) for the common-mode switching currents. This configuration can be achieved by using two resistors from each input terminated to the common-mode voltage (VCM).

The device includes an internal R-C filter from each input to ground. The purpose of this filter is to absorb the sampling glitches inside the device itself. The cutoff frequency of the R-C filter involves a trade-off. A lower cutoff frequency (larger C) absorbs glitches better, but it reduces the input bandwidth. On the other hand, with a higher cutoff frequency (smaller C), bandwidth support is maximized. However, the sampling glitches now must be supplied by the external drive circuit. This tradeoff has limitations as a result of the presence of the package bond-wire inductance.

In the ADS4245, the R-C component values have been optimized while supporting high input bandwidth (up to 550MHz). However, in applications with input frequencies up to 200MHz to 300MHz, the filtering of the glitches can be improved further using an external R-C-R filter; see [FIG 8-7](#) and [FIG 8-8](#).

8.2.1.2 Detailed Design Procedure

Two example driving circuit configurations are shown in [Figure 8-7](#) and [Figure 8-8](#)—one optimized for low bandwidth (low input frequencies) and the other one for high bandwidth to support higher input frequencies. Note that both of the drive circuits have been terminated by 50Ω near the ADC side. The termination is accomplished by a 25Ω resistor from each input to the 1.5V common-mode (VCM) from the device. This architecture allows the analog inputs to be biased around the required common-mode voltage.

The mismatch in the transformer parasitic capacitance (between the windings) results in degraded even-order harmonic performance. Connecting two identical RF transformers back-to-back helps minimize this mismatch; good performance is obtained for high-frequency input signals. An additional termination resistor pair may be required between the two transformers, as shown in [Figure 8-7](#), [Figure 8-8](#), and [Figure 8-9](#). The center point of this termination is connected to ground to improve the balance between the P and M sides. The values of the terminations between the transformers and on the secondary side must be chosen to obtain an effective 50Ω (in the case of 50Ω source impedance).

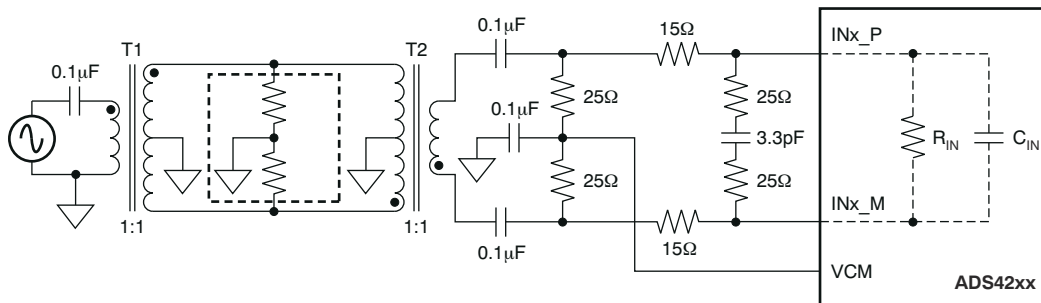


Figure 8-7. Drive Circuit With Low Bandwidth (For Low Input Frequencies Less Than 150MHz)

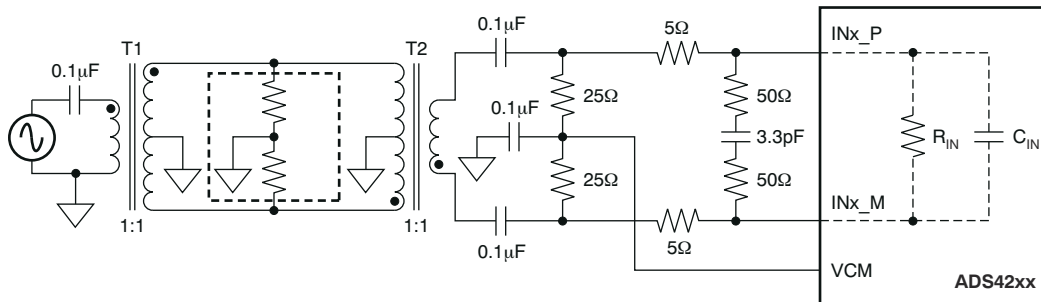


Figure 8-8. Drive Circuit With High Bandwidth (For High Input Frequencies Greater Than 150MHz And Less Than 270MHz)

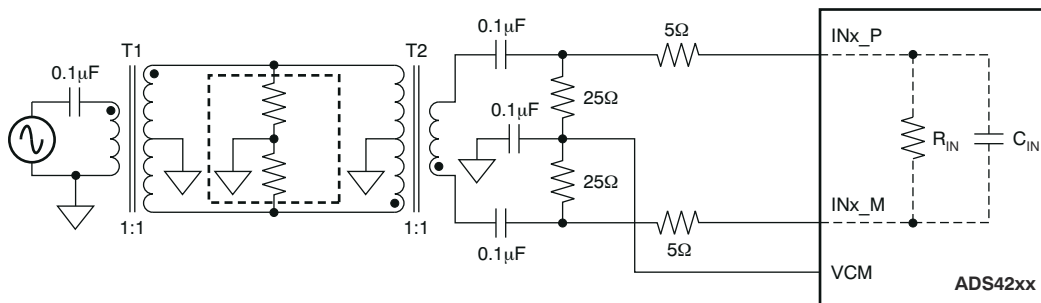
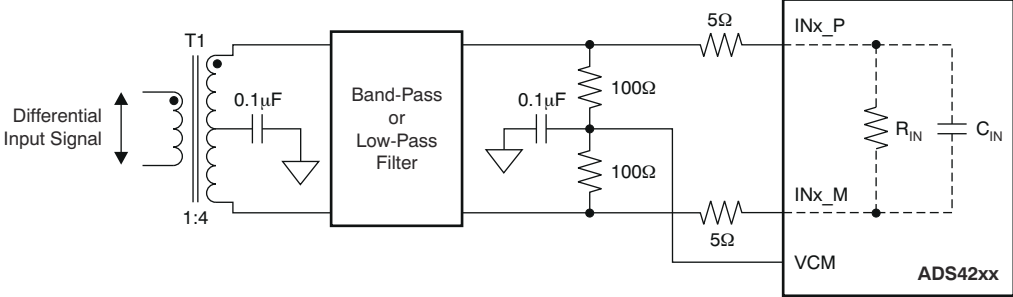
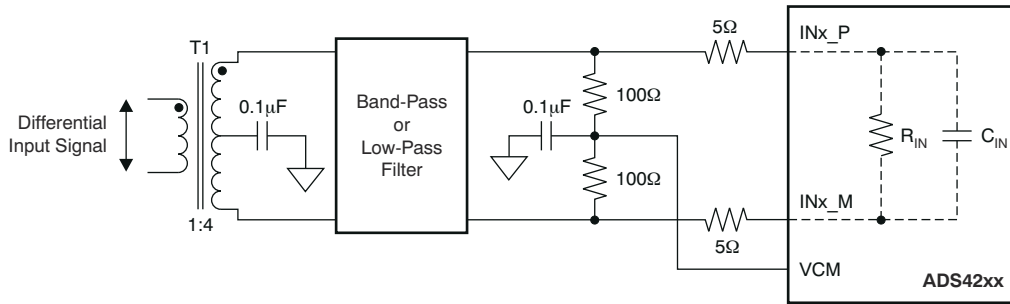


Figure 8-9. Drive Circuit With Very High Bandwidth (Greater Than 270MHz)

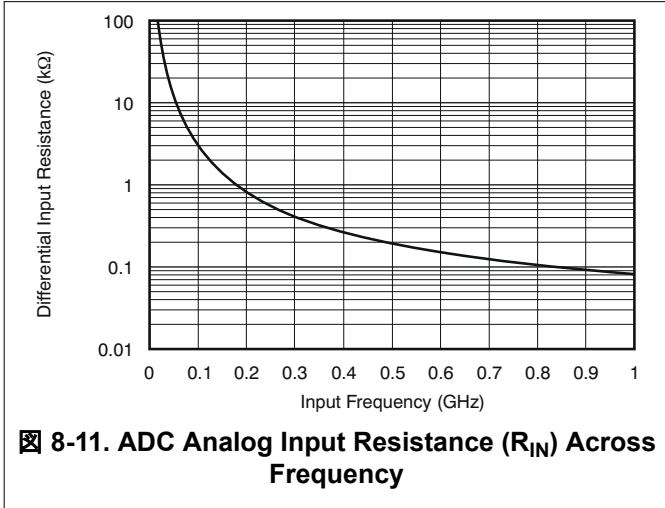
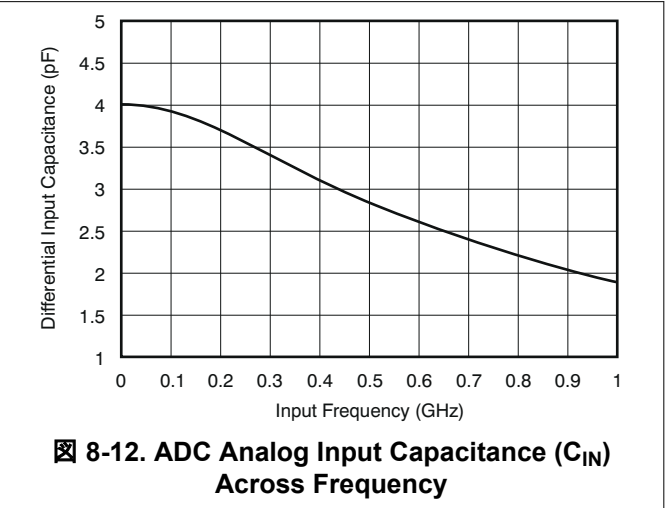
All of these examples show 1:1 transformers being used with a 50Ω source. As explained in the *Drive Circuit Requirements* section, this configuration helps to present a low source impedance to absorb the sampling glitches. With a 1:4 transformer, the source impedance is 200Ω. The higher source impedance is unable to absorb the sampling glitches effectively and can lead to degradation in performance (compared to using 1:1 transformers).

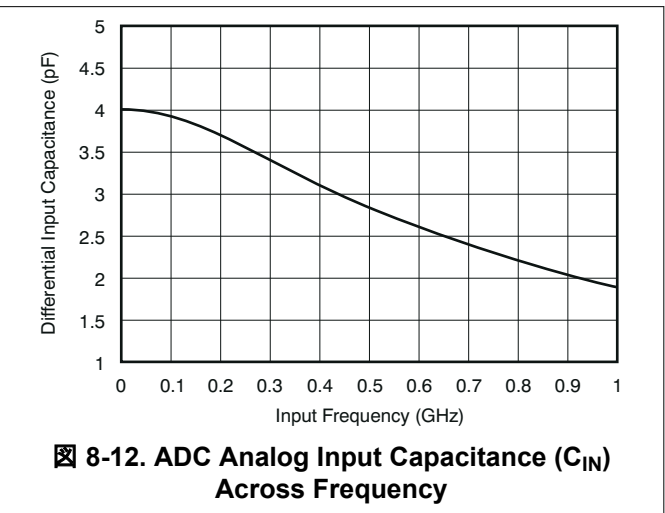
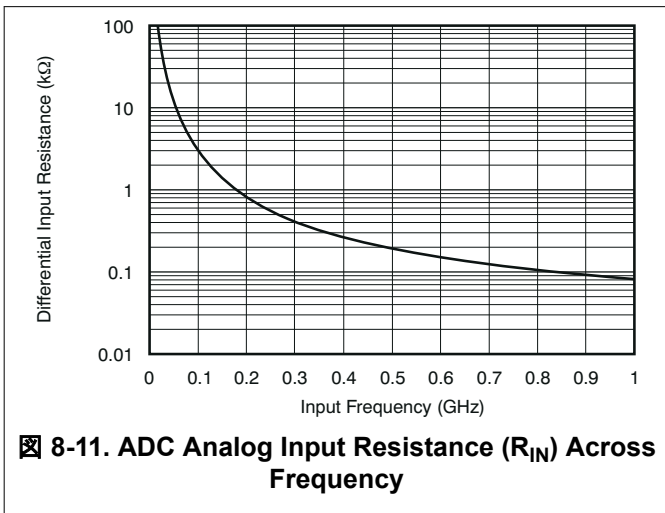
In almost all cases, either a band-pass or low-pass filter is required to obtain the desired dynamic performance, as shown in . Such filters present low source impedance at the high frequencies corresponding to the sampling glitch and help avoid the performance loss with the high source impedance.



 **8-10. Drive Circuit With A 1:4 Transformer**

8.2.1.3 Application Curves

In addition, the drive circuit may have to be designed to provide a low insertion loss over the desired frequency range and matched impedance to the source. Furthermore, the ADC input impedance must be considered.  and  show the impedance ($Z_{IN} = R_{IN} \parallel C_{IN}$) looking into the ADC input terminals.



9 Power Supply Recommendations

The recommended analog/digital power supply range for ADS4245 is 1.7V to 1.9V.

10 Layout

10.1 Layout Guidelines

10.1.1 Grounding

A single ground plane is sufficient to give good performance, provided the analog, digital, and clock sections of the board are cleanly partitioned. See the [ADS4226 Evaluation Module \(SLAU333\)](#) for details on layout and grounding.

10.1.2 Supply Decoupling

Because the ADS4245 already includes internal decoupling, minimal external decoupling can be used without loss in performance. Note that decoupling capacitors can help filter external power-supply noise; thus, the optimum number of capacitors depends on the actual application. The decoupling capacitors should be placed very close to the converter supply terminals.

10.1.3 Exposed Pad

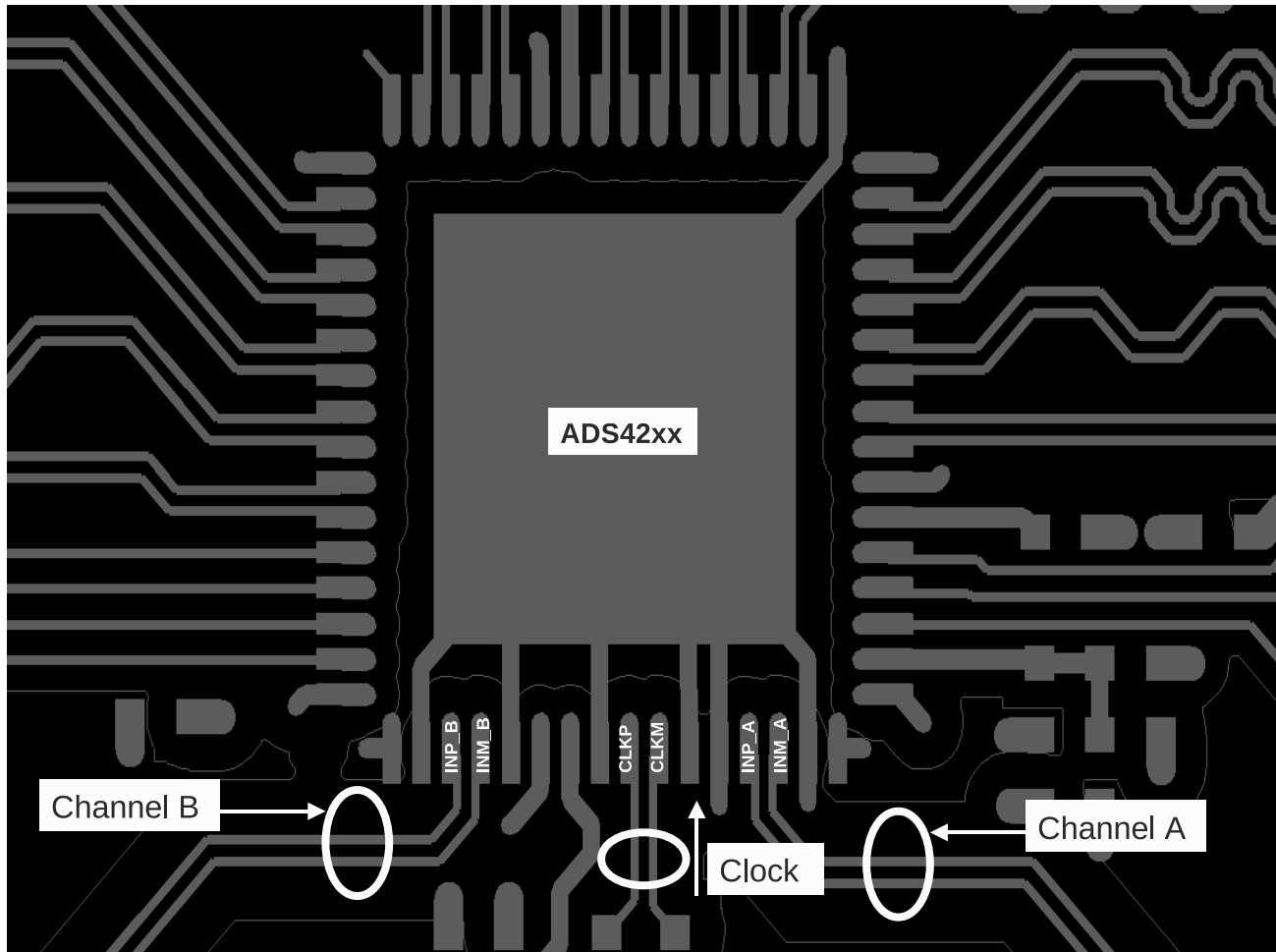
In addition to providing a path for heat dissipation, the PowerPAD is also electrically connected internally to the digital ground. Therefore, it is necessary to solder the exposed pad to the ground plane for best thermal and electrical performance. For detailed information, see application notes [QFN Layout Guidelines \(SLOA122\)](#) and [QFN/SON PCB Attachment \(SLUA271\)](#).

10.1.4 Routing Analog Inputs

It is advisable to route differential analog input pairs (INP_x and INM_x) close to each other. To minimize the possibility of coupling from a channel analog input to the sampling clock, the analog input pairs of both channels should be routed perpendicular to the sampling clock. See the [ADS4226 Evaluation Module \(SLAU333\)](#) for reference routing.

10.2 Layout Example

☒ 10-1 shows a snapshot of the PCB layout from the ADS424x EVM.



☒ 10-1. ADS42XX EVM PCB Layout

11 Device and Documentation Support

11.1 Device Support

11.1.1 Device Support

11.1.1.1 Definition Of Specifications

Analog Bandwidth – The analog input frequency at which the power of the fundamental is reduced by 3 dB with respect to the low-frequency value.

Aperture Delay – The delay in time between the rising edge of the input sampling clock and the actual time at which the sampling occurs. This delay is different across channels. The maximum variation is specified as aperture delay variation (channel-to-channel).

Aperture Uncertainty (Jitter) – The sample-to-sample variation in aperture delay.

Clock Pulse Width/Duty Cycle – The duty cycle of a clock signal is the ratio of the time the clock signal remains at a logic high (clock pulse width) to the period of the clock signal. Duty cycle is typically expressed as a percentage. A perfect differential sine-wave clock results in a 50% duty cycle.

Maximum Conversion Rate – The maximum sampling rate at which specified operation is given. All parametric testing is performed at this sampling rate unless otherwise noted.

Minimum Conversion Rate – The minimum sampling rate at which the ADC functions.

Differential Nonlinearity (DNL) – An ideal ADC exhibits code transitions at analog input values spaced exactly 1LSB apart. The DNL is the deviation of any single step from this ideal value, measured in units of LSBs.

Integral Nonlinearity (INL) – The INL is the deviation of the ADC transfer function from a best fit line determined by a least squares curve fit of that transfer function, measured in units of LSBs.

Gain Error – Gain error is the deviation of the ADC actual input full-scale range from its ideal value. The gain error is given as a percentage of the ideal input full-scale range. Gain error has two components: error as a result of reference inaccuracy (E_{GREF}) and error as a result of the channel (E_{GCHAN}). Both errors are specified independently as E_{GREF} and E_{GCHAN} .

To a first-order approximation, the total gain error is $E_{TOTAL} \sim E_{GREF} + E_{GCHAN}$.

For example, if $E_{TOTAL} = \pm 0.5\%$, the full-scale input varies from $(1 - 0.5/100) \times FS_{ideal}$ to $(1 + 0.5/100) \times FS_{ideal}$.

Offset Error – The offset error is the difference, given in number of LSBs, between the ADC actual average idle channel output code and the ideal average idle channel output code. This quantity is often mapped into millivolts.

Temperature Drift – The temperature drift coefficient (with respect to gain error and offset error) specifies the change per degree Celsius of the parameter from T_{MIN} to T_{MAX} . It is calculated by dividing the maximum deviation of the parameter across the T_{MIN} to T_{MAX} range by the difference $T_{MAX} - T_{MIN}$.

Signal-to-Noise Ratio – SNR is the ratio of the power of the fundamental (P_S) to the noise floor power (P_N), excluding the power at dc and the first nine harmonics.

$$SNR = 10 \log^{10} \frac{P_S}{P_N} \quad (1)$$

SNR is either given in units of dBc (dB to carrier) when the absolute power of the fundamental is used as the reference, or dBFS (dB to full-scale) when the power of the fundamental is extrapolated to the converter full-scale range.

Signal-to-Noise and Distortion (SINAD) – SINAD is the ratio of the power of the fundamental (P_S) to the power of all the other spectral components including noise (P_N) and distortion (P_D), but excluding dc.

$$\text{SINAD} = 10\text{Log}^{10} \frac{P_S}{P_N + P_D} \quad (2)$$

SINAD is either given in units of dBc (dB to carrier) when the absolute power of the fundamental is used as the reference, or dBFS (dB to full-scale) when the power of the fundamental is extrapolated to the converter full-scale range.

Effective Number of Bits (ENOB) – ENOB is a measure of the converter performance as compared to the theoretical limit based on quantization noise.

$$\text{ENOB} = \frac{\text{SINAD} - 1.76}{6.02} \quad (3)$$

Total Harmonic Distortion (THD) – THD is the ratio of the power of the fundamental (P_S) to the power of the first nine harmonics (P_D).

$$\text{THD} = 10\text{Log}^{10} \frac{P_S}{P_N} \quad (4)$$

THD is typically given in units of dBc (dB to carrier).

Spurious-Free Dynamic Range (SFDR) – The ratio of the power of the fundamental to the highest other spectral component (either spur or harmonic). SFDR is typically given in units of dBc (dB to carrier).

Two-Tone Intermodulation Distortion – IMD3 is the ratio of the power of the fundamental (at frequencies f_1 and f_2) to the power of the worst spectral component at either frequency $2f_1 - f_2$ or $2f_2 - f_1$. IMD3 is either given in units of dBc (dB to carrier) when the absolute power of the fundamental is used as the reference, or dBFS (dB to full-scale) when the power of the fundamental is extrapolated to the converter full-scale range.

DC Power-Supply Rejection Ratio (DC PSRR) – DC PSRR is the ratio of the change in offset error to a change in analog supply voltage. The dc PSRR is typically given in units of mV/V.

AC Power-Supply Rejection Ratio (AC PSRR) – AC PSRR is the measure of rejection of variations in the supply voltage by the ADC. If ΔV_{SUP} is the change in supply voltage and ΔV_{OUT} is the resultant change of the ADC output code (referred to the input), then:

$$\text{PSRR} = 20\text{Log}^{10} \frac{\Delta V_{\text{OUT}}}{\Delta V_{\text{SUP}}} \quad (\text{Expressed in dBc}) \quad (5)$$

Voltage Overload Recovery – The number of clock cycles taken to recover to less than 1% error after an overload on the analog inputs. This is tested by separately applying a sine wave signal with 6 dB positive and negative overload. The deviation of the first few samples after the overload (from the expected values) is noted.

Common-Mode Rejection Ratio (CMRR) – CMRR is the measure of rejection of variation in the analog input common-mode by the ADC. If $\Delta V_{\text{CM_IN}}$ is the change in the common-mode voltage of the input terminals and ΔV_{OUT} is the resulting change of the ADC output code (referred to the input), then:

$$\text{CMRR} = 20\text{Log}^{10} \frac{\Delta V_{\text{OUT}}}{\Delta V_{\text{CM}}} \quad (\text{Expressed in dBc}) \quad (6)$$

Crosstalk (only for multi-channel ADCs) – This is a measure of the internal coupling of a signal from an adjacent channel into the channel of interest. It is specified separately for coupling from the immediate neighboring channel (near-channel) and for coupling from channel across the package (far-channel). It is usually measured by applying a full-scale signal in the adjacent channel. Crosstalk is the ratio of the power of the

coupling signal (as measured at the output of the channel of interest) to the power of the signal applied at the adjacent channel input. It is typically expressed in dBc.

11.2 Receiving Notification of Documentation Updates

To receive notification of documentation updates, navigate to the device product folder on ti.com. In the upper right corner, click on *Alert me* to register and receive a weekly digest of any product information that has changed. For change details, review the revision history included in any revised document.

11.3 Support Resources

[TI E2E™ support forums](#) are an engineer's go-to source for fast, verified answers and design help — straight from the experts. Search existing answers or ask your own question to get the quick design help you need.

Linked content is provided "AS IS" by the respective contributors. They do not constitute TI specifications and do not necessarily reflect TI's views; see TI's [Terms of Use](#).

11.4 Trademarks

PowerPAD™ is a trademark of Texas Instruments Incorporated.

TI E2E™ are trademarks of Texas Instruments.

すべての商標は、それぞれの所有者に帰属します。

11.5 Electrostatic Discharge Caution



This integrated circuit can be damaged by ESD. Texas Instruments recommends that all integrated circuits be handled with appropriate precautions. Failure to observe proper handling and installation procedures can cause damage.

ESD damage can range from subtle performance degradation to complete device failure. Precision integrated circuits may be more susceptible to damage because very small parametric changes could cause the device not to meet its published specifications.

11.6 Glossary

[TI Glossary](#) This glossary lists and explains terms, acronyms, and definitions.

Mechanical, Packaging, and Orderable Information

The following pages include mechanical, packaging, and orderable information. This information is the most current data available for the designated devices. This data is subject to change without notice and revision of this document. For browser-based versions of this data sheet, refer to the left-hand navigation.

PACKAGING INFORMATION

Orderable Device	Status (1)	Package Type	Package Drawing	Pins	Package Qty	Eco Plan (2)	Lead finish/ Ball material (6)	MSL Peak Temp (3)	Op Temp (°C)	Device Marking (4/5)	Samples
ADS4245MRGC25EP	ACTIVE	VQFN	RGC	64	250	RoHS & Green	NIPDAUAG	Level-3-260C-168 HR	-55 to 125	AZ4245EP	Samples
V62/14609-01XE	ACTIVE	VQFN	RGC	64	250	RoHS & Green	NIPDAUAG	Level-3-260C-168 HR	-55 to 125	AZ4245EP	Samples

(1) The marketing status values are defined as follows:

ACTIVE: Product device recommended for new designs.

LIFEBUY: TI has announced that the device will be discontinued, and a lifetime-buy period is in effect.

NRND: Not recommended for new designs. Device is in production to support existing customers, but TI does not recommend using this part in a new design.

PREVIEW: Device has been announced but is not in production. Samples may or may not be available.

OBSOLETE: TI has discontinued the production of the device.

(2) **RoHS:** TI defines "RoHS" to mean semiconductor products that are compliant with the current EU RoHS requirements for all 10 RoHS substances, including the requirement that RoHS substance do not exceed 0.1% by weight in homogeneous materials. Where designed to be soldered at high temperatures, "RoHS" products are suitable for use in specified lead-free processes. TI may reference these types of products as "Pb-Free".

RoHS Exempt: TI defines "RoHS Exempt" to mean products that contain lead but are compliant with EU RoHS pursuant to a specific EU RoHS exemption.

Green: TI defines "Green" to mean the content of Chlorine (Cl) and Bromine (Br) based flame retardants meet JS709B low halogen requirements of <=1000ppm threshold. Antimony trioxide based flame retardants must also meet the <=1000ppm threshold requirement.

(3) MSL, Peak Temp. - The Moisture Sensitivity Level rating according to the JEDEC industry standard classifications, and peak solder temperature.

(4) There may be additional marking, which relates to the logo, the lot trace code information, or the environmental category on the device.

(5) Multiple Device Markings will be inside parentheses. Only one Device Marking contained in parentheses and separated by a "~" will appear on a device. If a line is indented then it is a continuation of the previous line and the two combined represent the entire Device Marking for that device.

(6) Lead finish/Ball material - Orderable Devices may have multiple material finish options. Finish options are separated by a vertical ruled line. Lead finish/Ball material values may wrap to two lines if the finish value exceeds the maximum column width.

Important Information and Disclaimer:The information provided on this page represents TI's knowledge and belief as of the date that it is provided. TI bases its knowledge and belief on information provided by third parties, and makes no representation or warranty as to the accuracy of such information. Efforts are underway to better integrate information from third parties. TI has taken and continues to take reasonable steps to provide representative and accurate information but may not have conducted destructive testing or chemical analysis on incoming materials and chemicals. TI and TI suppliers consider certain information to be proprietary, and thus CAS numbers and other limited information may not be available for release.

In no event shall TI's liability arising out of such information exceed the total purchase price of the TI part(s) at issue in this document sold by TI to Customer on an annual basis.

OTHER QUALIFIED VERSIONS OF ADS4245-EP :

- Catalog : [ADS4245](#)

NOTE: Qualified Version Definitions:

- Catalog - TI's standard catalog product

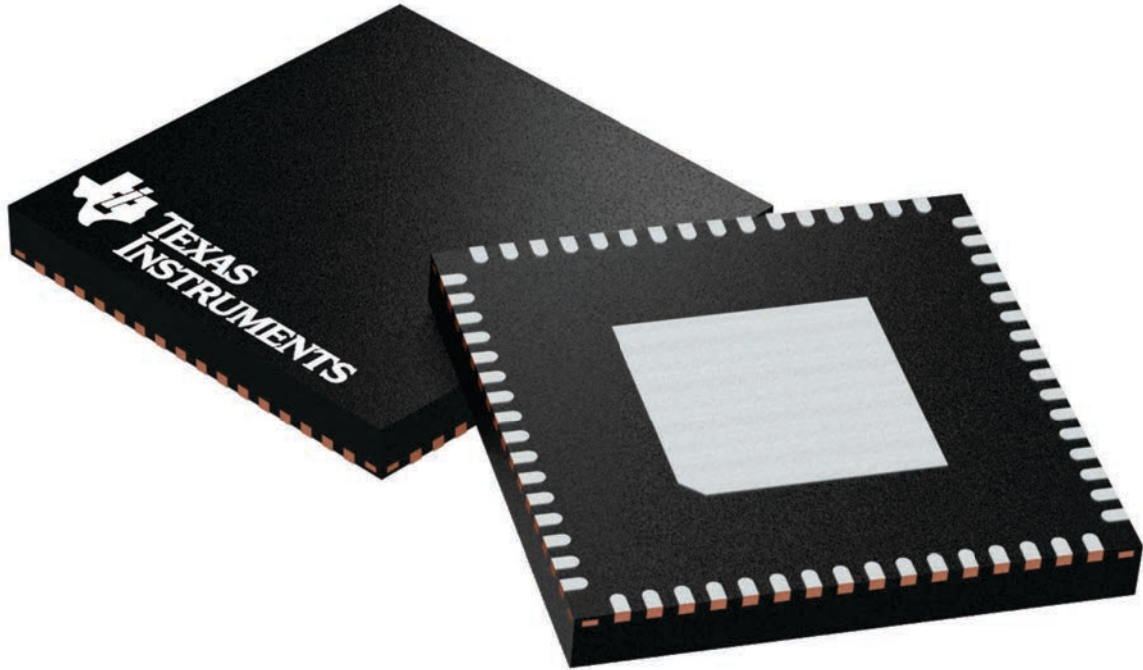
GENERIC PACKAGE VIEW

RGC 64

VQFN - 1 mm max height

9 x 9, 0.5 mm pitch

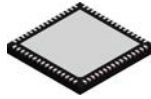
PLASTIC QUAD FLATPACK - NO LEAD



Images above are just a representation of the package family, actual package may vary.
Refer to the product data sheet for package details.

4224597/A

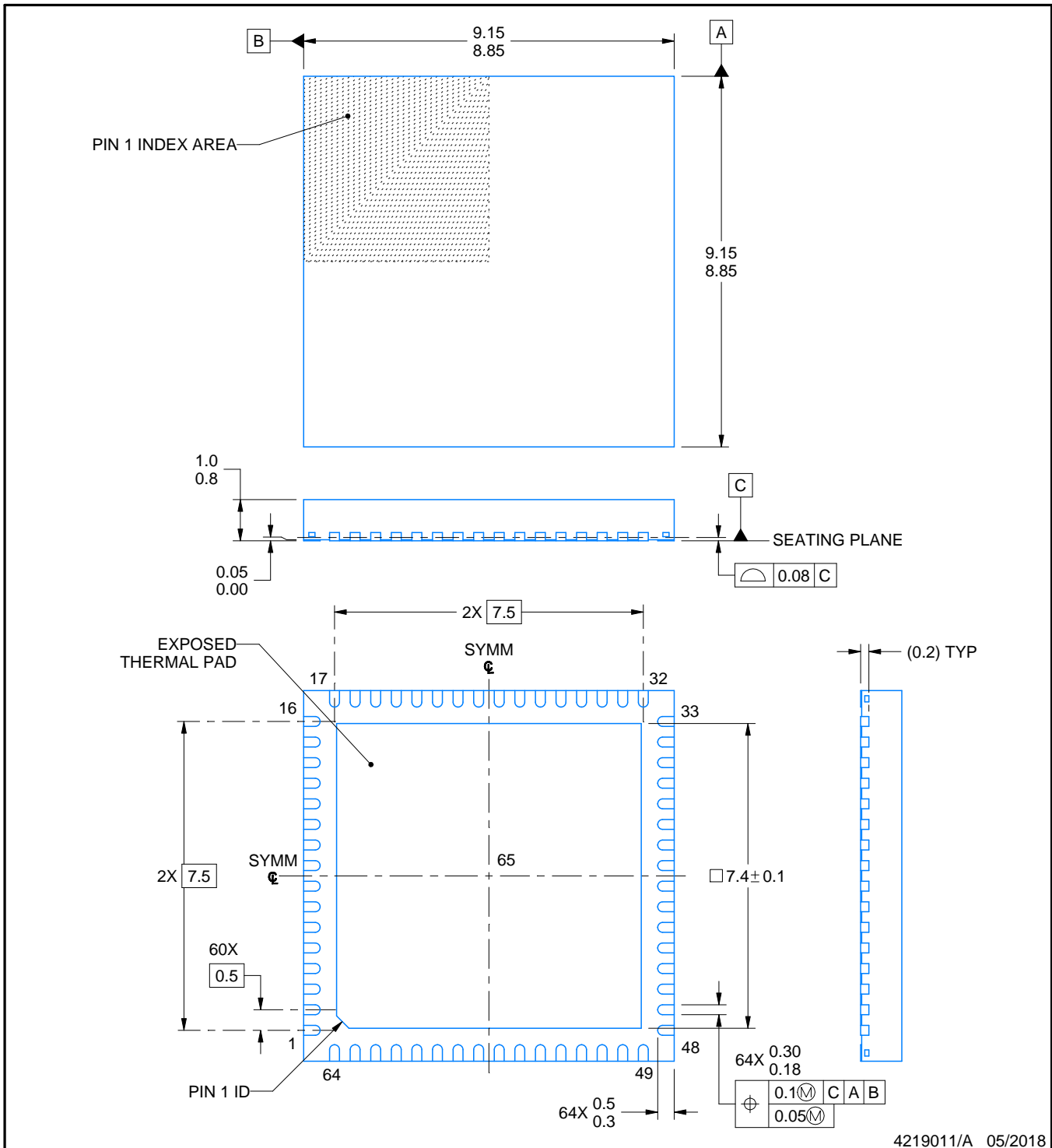
RGC0064H



PACKAGE OUTLINE

VQFN - 1 mm max height

PLASTIC QUAD FLATPACK - NO LEAD



NOTES:

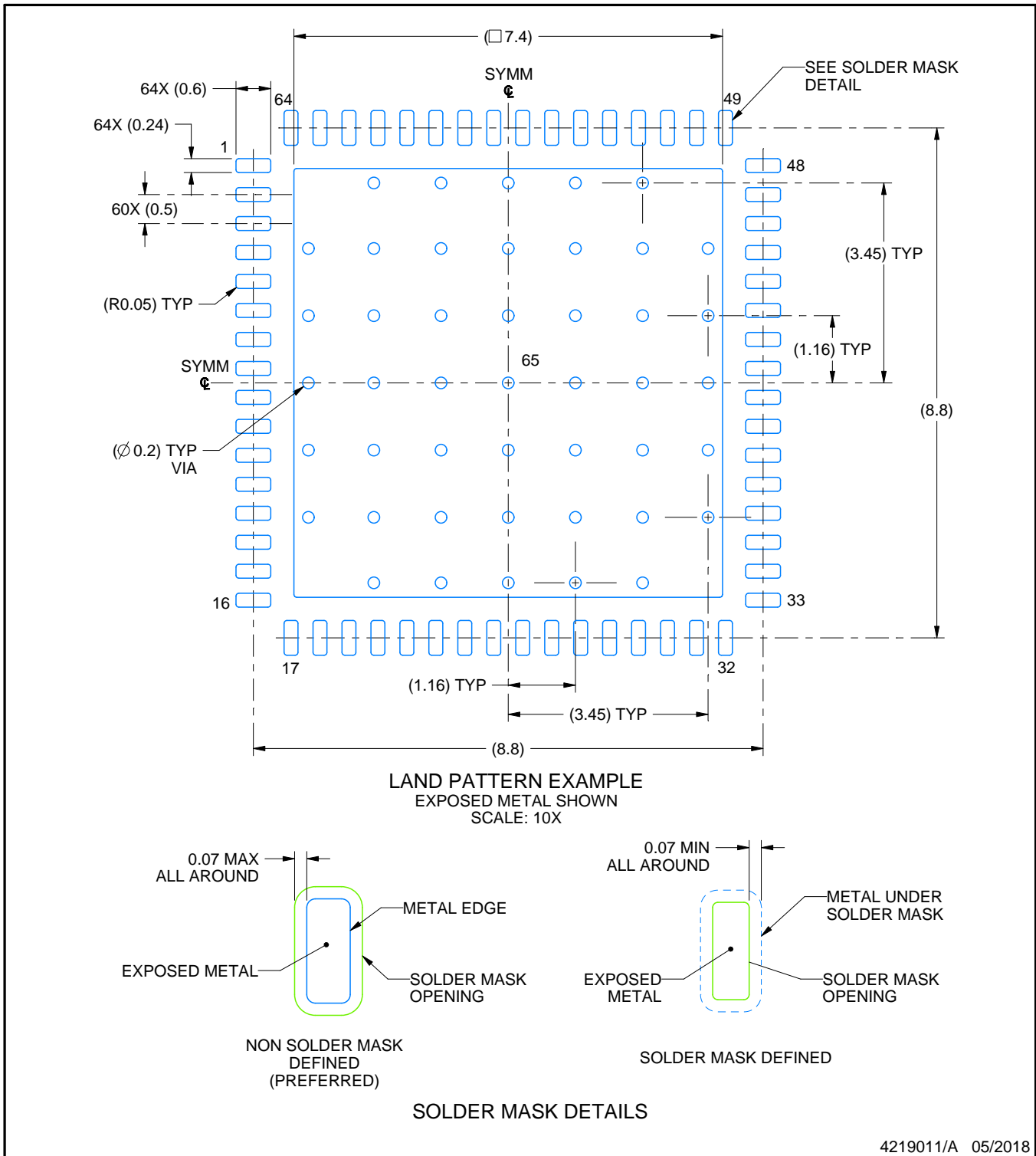
1. All linear dimensions are in millimeters. Any dimensions in parenthesis are for reference only. Dimensioning and tolerancing per ASME Y14.5M.
2. This drawing is subject to change without notice.
3. The package thermal pad must be soldered to the printed circuit board for thermal and mechanical performance.

EXAMPLE BOARD LAYOUT

RGC0064H

VQFN - 1 mm max height

PLASTIC QUAD FLATPACK - NO LEAD



4219011/A 05/2018

NOTES: (continued)

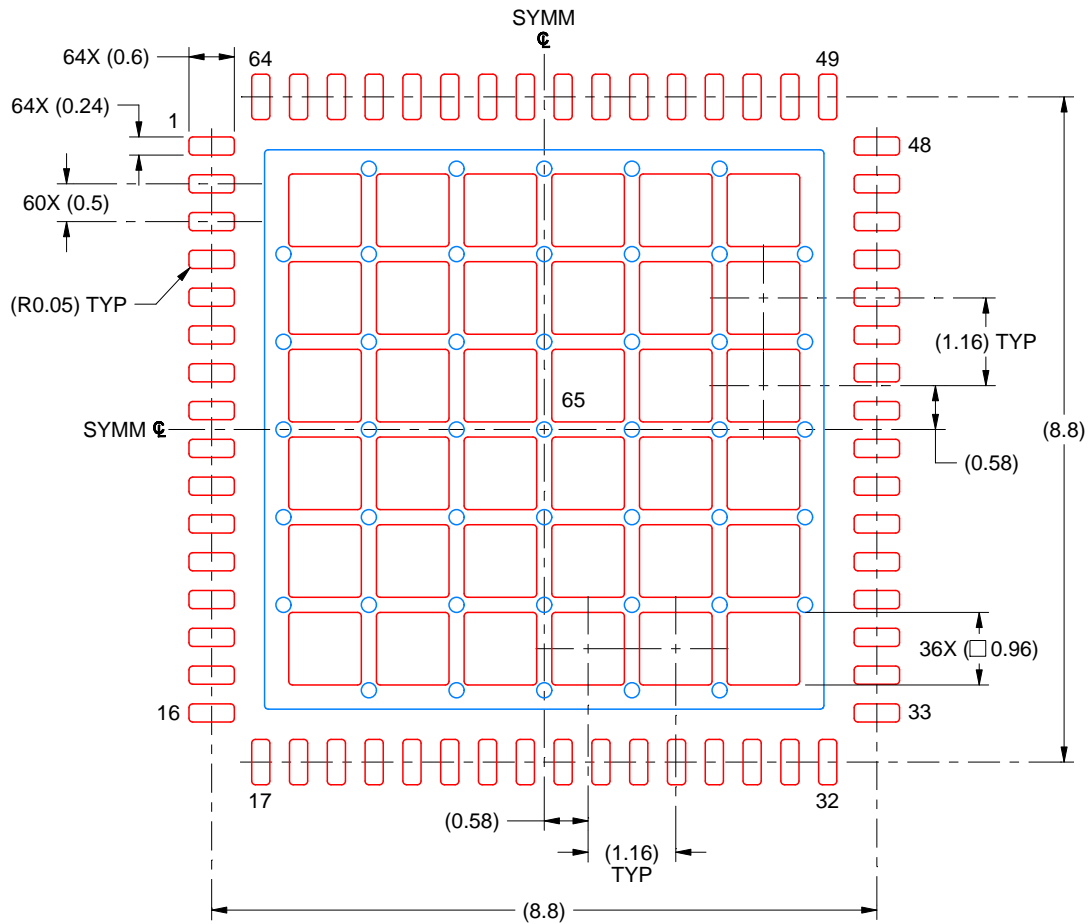
4. This package is designed to be soldered to a thermal pad on the board. For more information, see Texas Instruments literature number SLUA271 (www.ti.com/lit/sluea271).
5. Vias are optional depending on application, refer to device data sheet. If any vias are implemented, refer to their locations shown on this view. It is recommended that vias under paste be filled, plugged or tented.

EXAMPLE STENCIL DESIGN

RGC0064H

VQFN - 1 mm max height

PLASTIC QUAD FLATPACK - NO LEAD



SOLDER PASTE EXAMPLE
 BASED ON 0.125 MM THICK STENCIL
 SCALE: 10X

EXPOSED PAD 65
 61% PRINTED SOLDER COVERAGE BY AREA UNDER PACKAGE

4219011/A 05/2018

NOTES: (continued)

6. Laser cutting apertures with trapezoidal walls and rounded corners may offer better paste release. IPC-7525 may have alternate design recommendations.

重要なお知らせと免責事項

TI は、技術データと信頼性データ (データシートを含みます)、設計リソース (リファレンス・デザインを含みます)、アプリケーションや設計に関する各種アドバイス、Web ツール、安全性情報、その他のリソースを、欠陥が存在する可能性のある「現状のまま」提供しており、商品性および特定目的に対する適合性の黙示保証、第三者の知的財産権の非侵害保証を含むいかなる保証も、明示的または黙示的にかかわらず拒否します。

これらのリソースは、TI 製品を使用する設計の経験を積んだ開発者への提供を意図したものです。(1) お客様のアプリケーションに適した TI 製品の選定、(2) お客様のアプリケーションの設計、検証、試験、(3) お客様のアプリケーションに該当する各種規格や、その他のあらゆる安全性、セキュリティ、規制、または他の要件への確実な適合に関する責任を、お客様のみが単独で負うものとし、

上記の各種リソースは、予告なく変更される可能性があります。これらのリソースは、リソースで説明されている TI 製品を使用するアプリケーションの開発の目的でのみ、TI はその使用をお客様に許諾します。これらのリソースに関して、他の目的で複製することや掲載することは禁止されています。TI や第三者の知的財産権のライセンスが付与されている訳ではありません。お客様は、これらのリソースを自身で使用した結果発生するあらゆる申し立て、損害、費用、損失、責任について、TI およびその代理人を完全に補償するものとし、TI は一切の責任を拒否します。

TI の製品は、[TI の販売条件](#)、または [ti.com](https://www.ti.com) やかかる TI 製品の関連資料などのいずれかを通じて提供する適用可能な条項の下で提供されています。TI がこれらのリソースを提供することは、適用される TI の保証または他の保証の放棄の拡大や変更を意味するものではありません。

お客様がいかなる追加条項または代替条項を提案した場合でも、TI はそれらに異議を唱え、拒否します。

郵送先住所 : Texas Instruments, Post Office Box 655303, Dallas, Texas 75265
Copyright © 2023, Texas Instruments Incorporated